



# ***oberon***



This document is distributed for free like  
historical documentation .

It is absolutely forbidden to sell and use for profit !!.

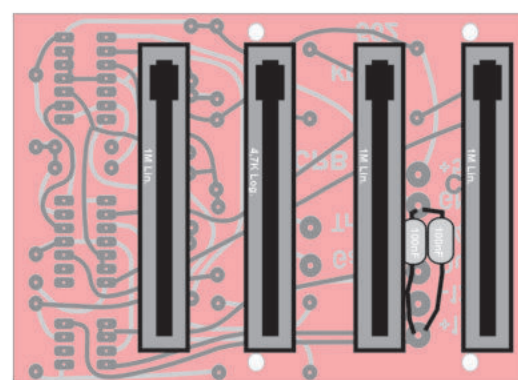
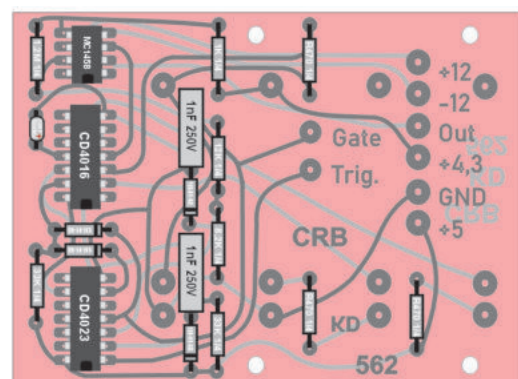
All trademarks mentioned are of respective owners

Project  
by  
Giovanni Livieri

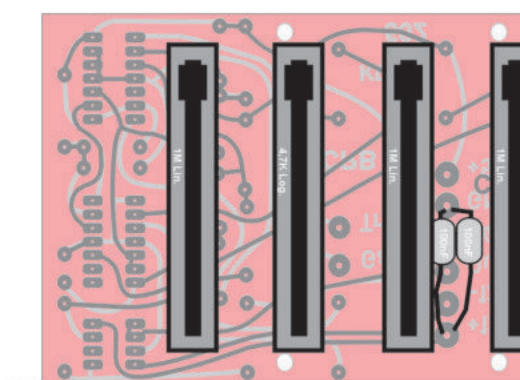
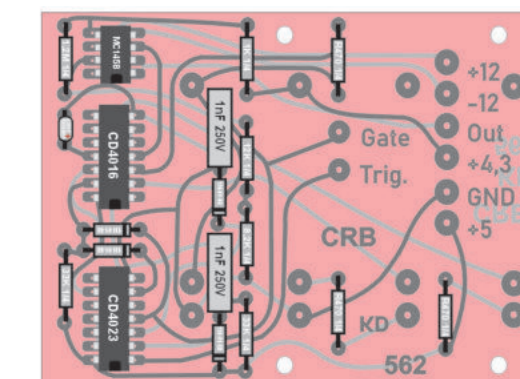
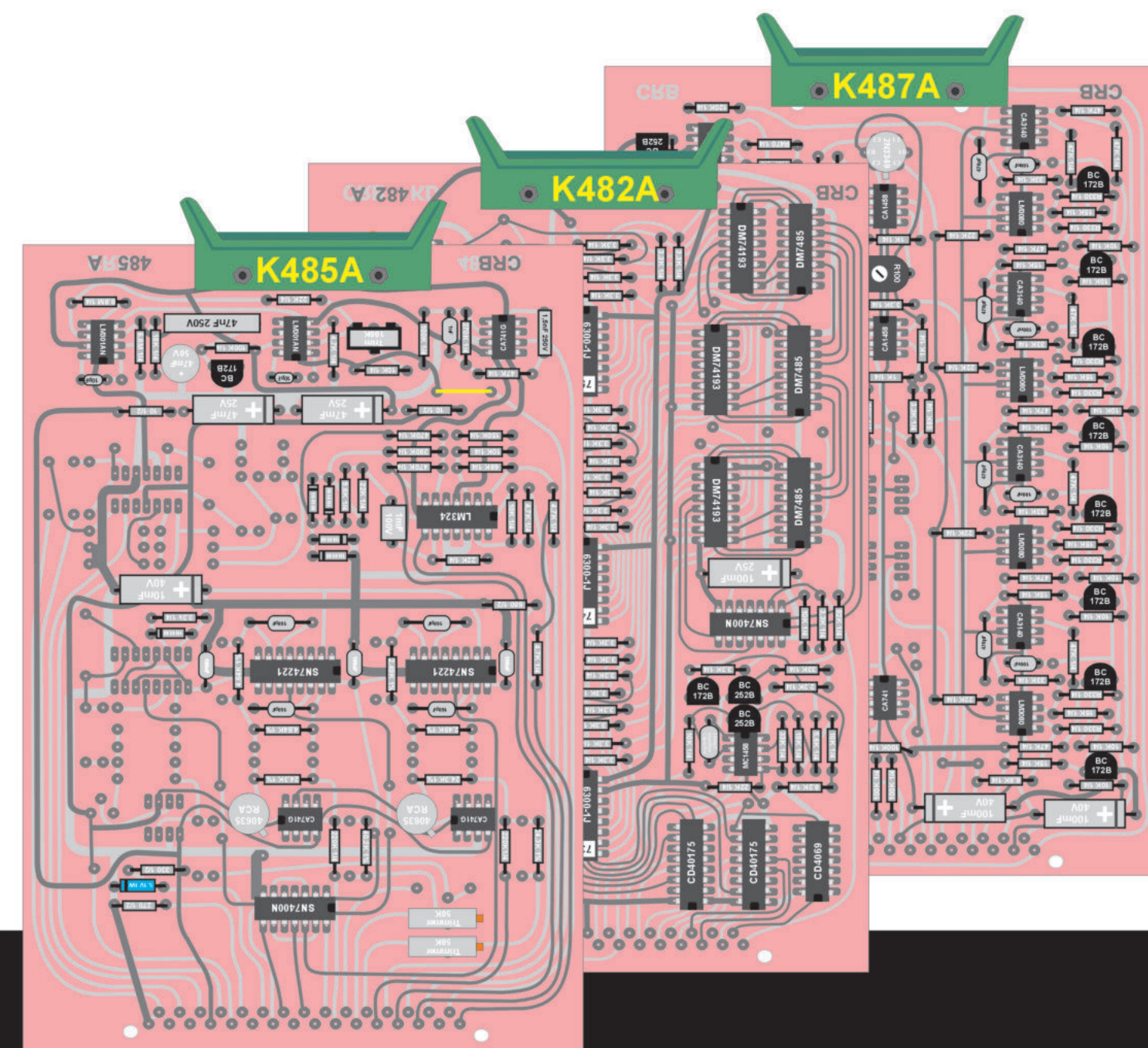
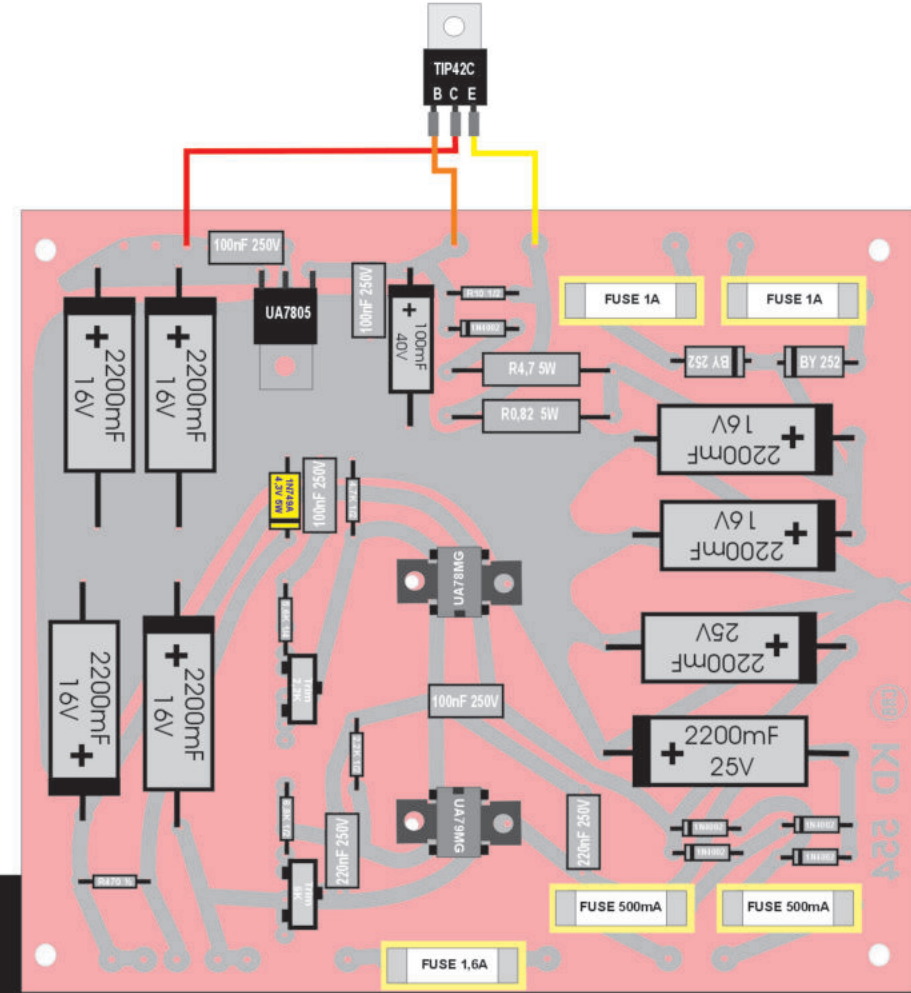
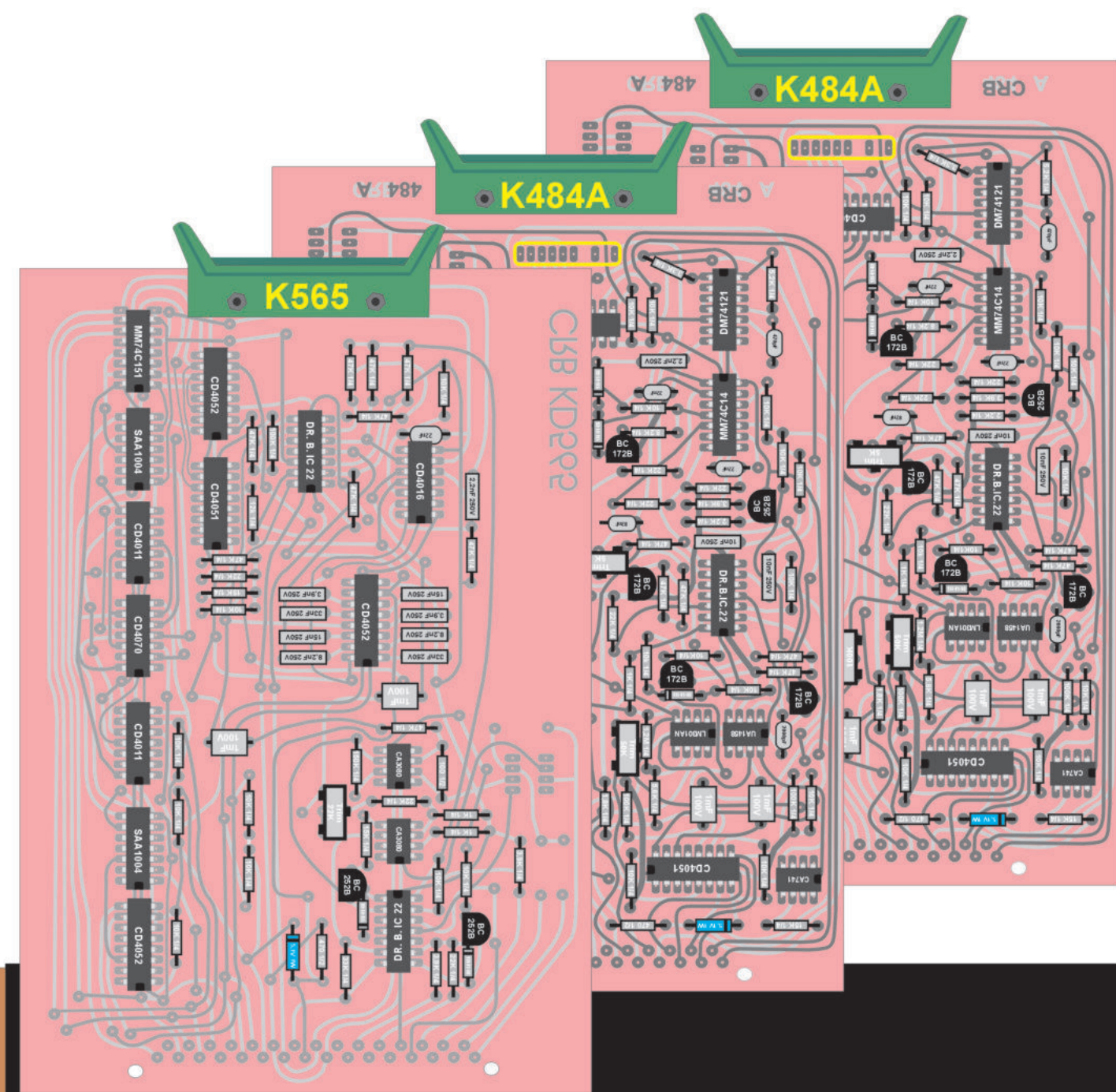
Revers Engignering  
by  
Marco Molendi



**elettronica** S.p.A.  
**ANCONA-ITALY**



ADSR  
VCF



ADSR  
VCA

Control panel for V.C.F. and V.C.O. sections.

**V.C.F. (Voltage Controlled Filter):** Includes sliders for AM SYNTH, VCO 1 VOLUME, VCO 2, NOISE, ATTACK, DECAY, SUSTAIN, RELEASE, ADSR AMOUNT, and MODUL AMOUNT. Features buttons for AP, HP, LP/BP, and Keyb Control.

**V.C.O. 1 (Voltage Controlled Oscillator 1):** Includes sliders for MODUL AMOUNT, Duty cycle, Width, Height, and PORTAMENTO. Features a waveform selector.

**V.C.O. 2 (Voltage Controlled Oscillator 2):** Includes sliders for Pitch, MODUL AMOUNT, Duty cycle, Width, and Height. Features a waveform selector.

**V.C.A. (Voltage Controlled Amplifier):** Includes sliders for ATTACK, DECAY, SUSTAIN, RELEASE, ADSR AMOUNT, and MODUL VOLUME.

mod. **oberon** synthesizer

**V.C.O. 1:** Frequency range selector (32', 16', 8', 4').

**V.C.O. 2:** Frequency range selector (16', 8', 4', 2').

GENERAL Pitch knob.

A.M. SYNTHESIZER

0.5 1 2 3 4 5

Max Max

INITIAL MODULATION INDEX

ADSR AMOUNT

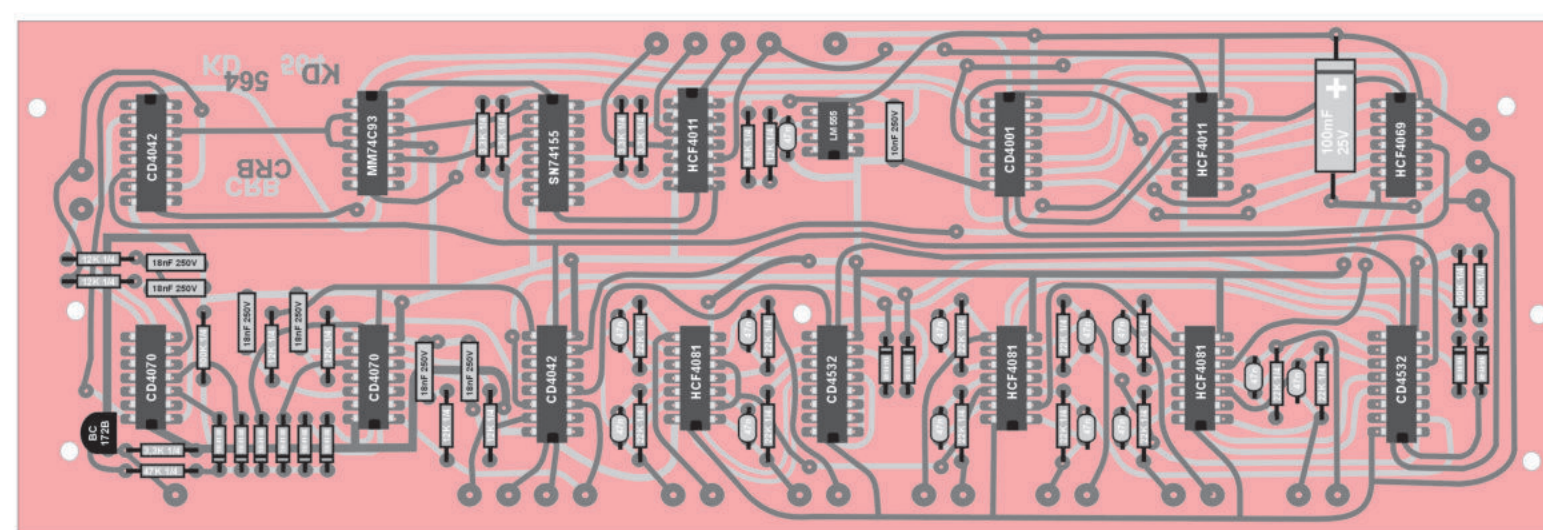
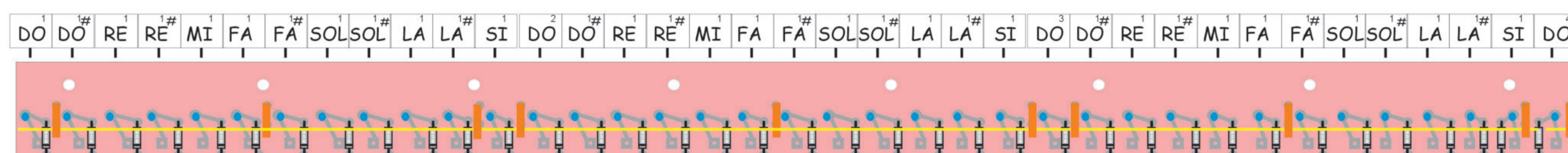


MODULATOR OSCILLATOR

Max

FREQUENCY

Red power button.



CRB **elettronica**  
ANCONA

Mod. **oberon**

SERIAL NO. \_\_\_\_\_

WATTS 44

~ 220 v / 50Hz

CAUTION - TO PREVENT ELECTRIC SHOCK, DO NOT REMOVE COVER. NO USER SERVICEABLE PARTS INSIDE. REFER SERVICING TO QUALIFIED SERVICE PERSONNEL.

Made in Italy

**V.C.F.** (Voltage Controlled Filter) controls: AM SYNTH, VCO 1 VOLUME, VCO 2, NOISE, ATTACK, DECAY, SUSTAIN, RELEASE, ADSR AMOUNT, MODUL AMOUNT, CUT, Keyb Control. Filter modes: AP, HP, LP/BP. Filter types: Pink, White.

**V.C.O. 1** (Voltage Controlled Oscillator 1) controls: MODUL. AMOUNT, Duty cycle, Width, Height, PORTAMENTO, Pitch, MODUL. AMOUNT, Duty cycle, Width, Height.

**V.C.O. 2** (Voltage Controlled Oscillator 2) controls: ATTACK, DECAY, SUSTAIN, RELEASE, ADSR AMOUNT, MODUL. AMOUNT, VOLUME.

*mod. oberon synthesizer*

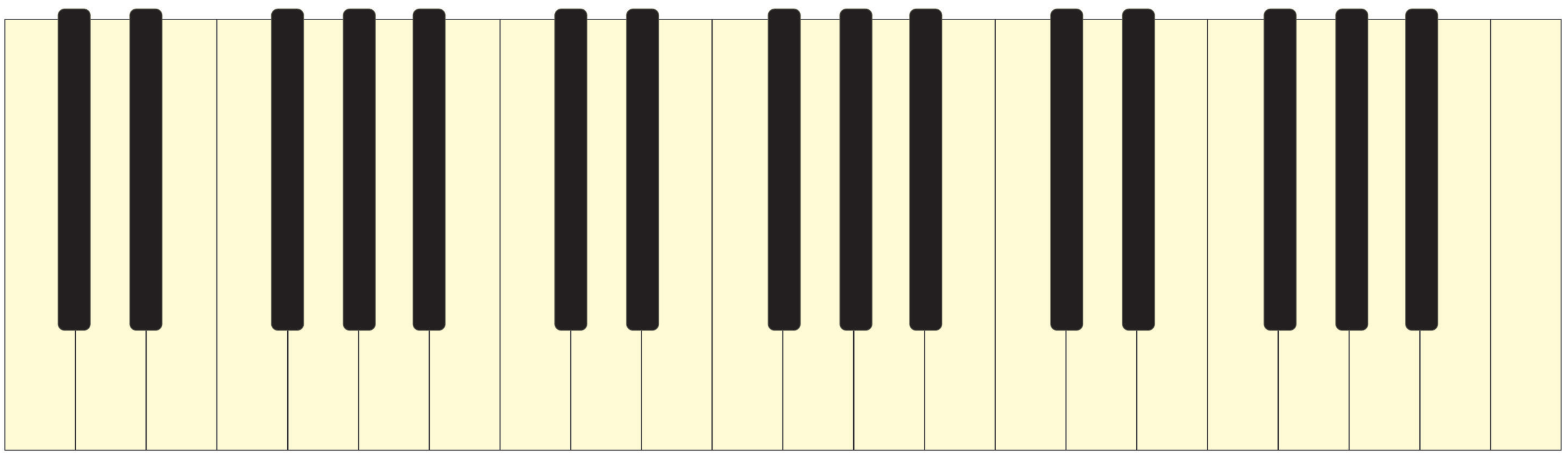
V.C.O. 1: 32', 16', 8', 4' (orange sliders), waveforms (blue boxes), V.C.O. 2: 16', 8', 4', 2' (orange sliders), GENERAL Pitch knob.

**A.M. SYNTHESIZER**

0,5 1 2 3 4 5 (c/m)

INITIAL MODULATION INDEX (slider)

ADSR AMOUNT (slider)

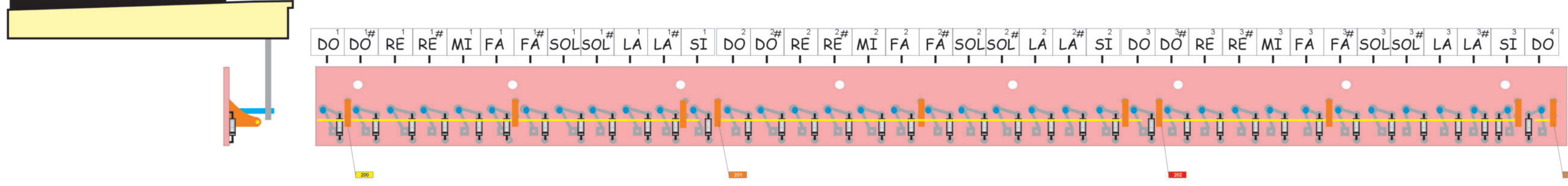
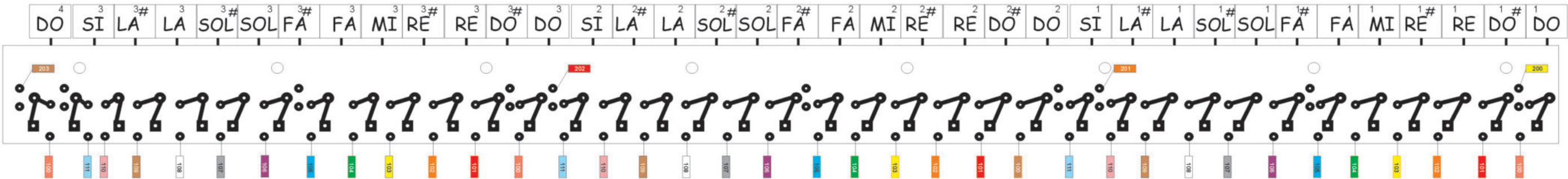
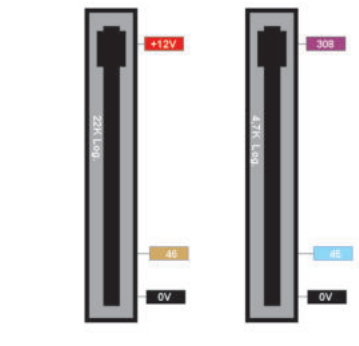
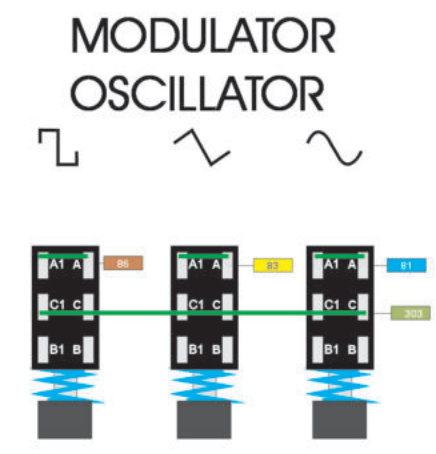
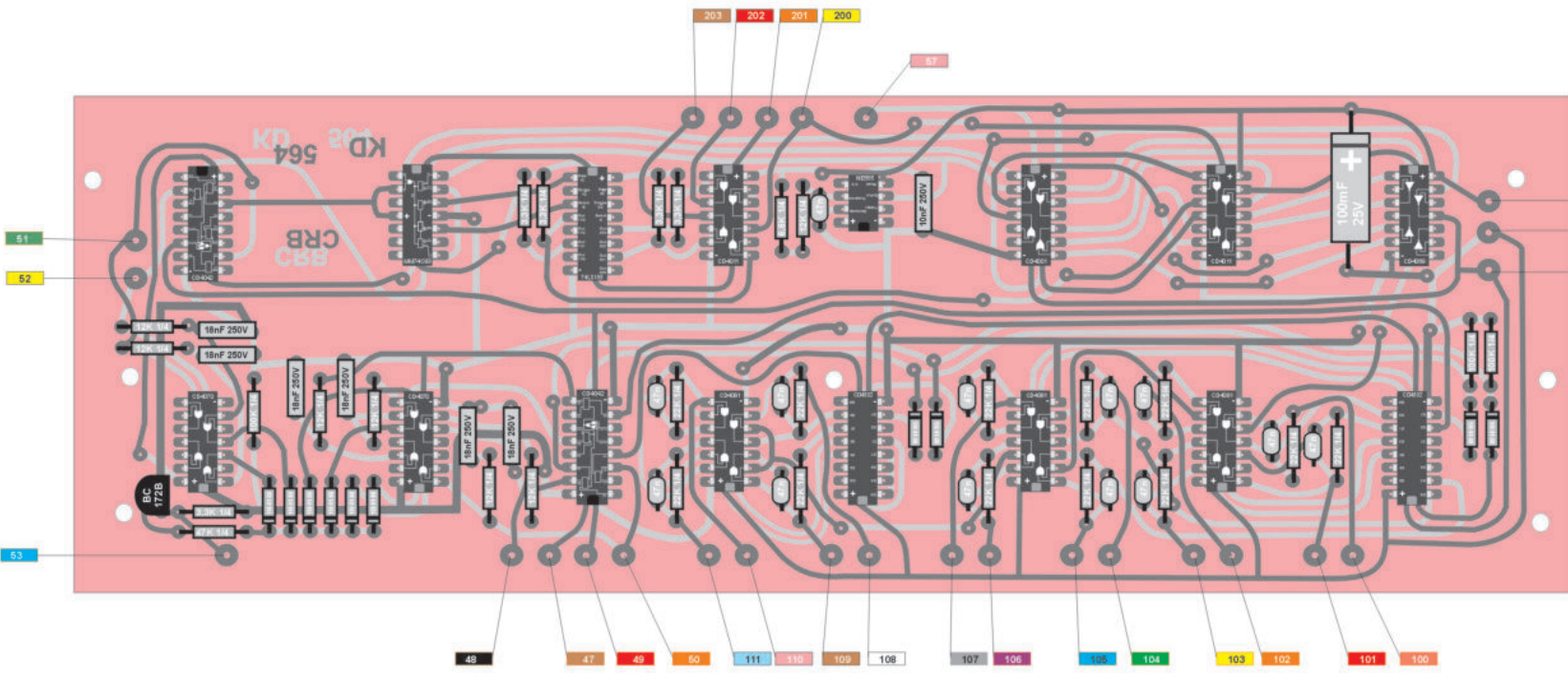
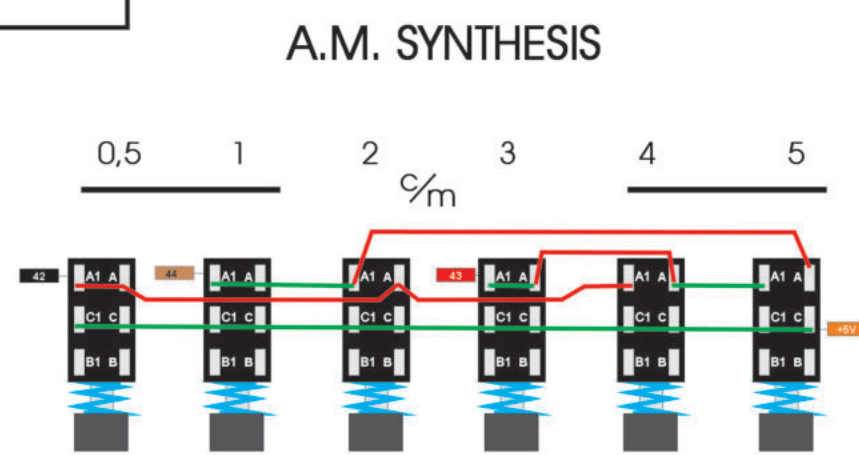
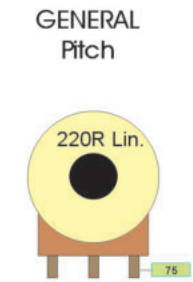
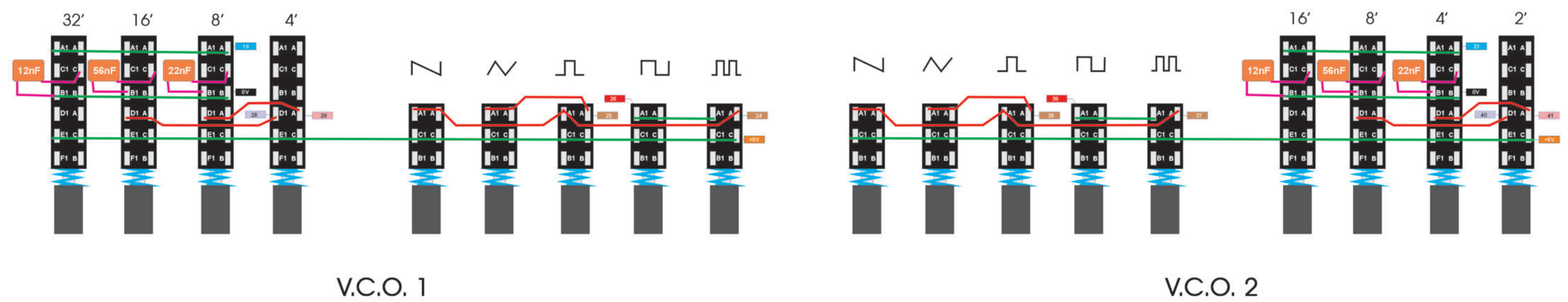
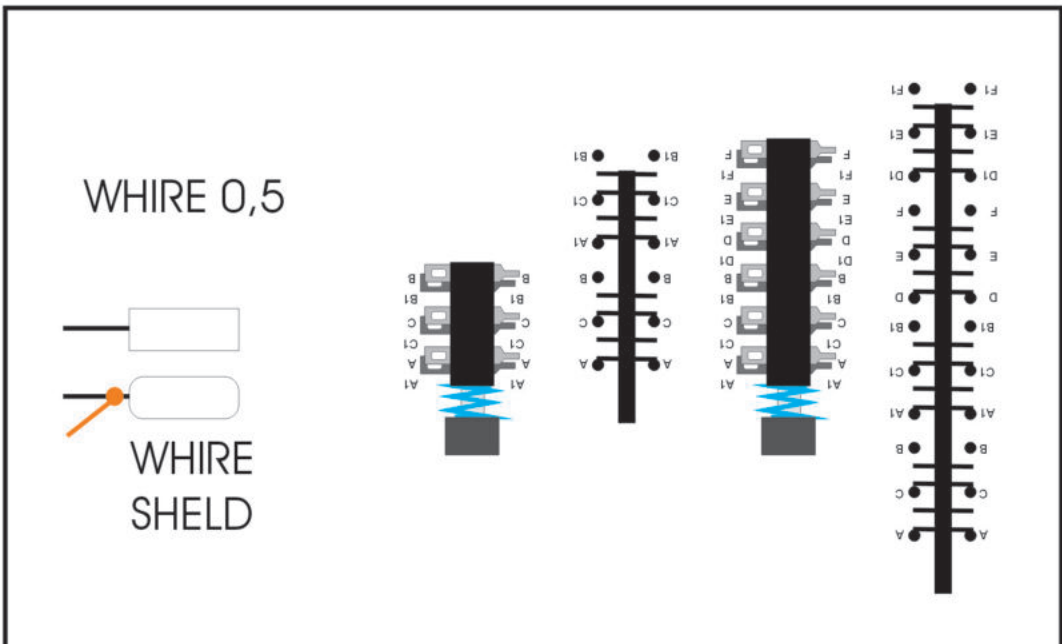
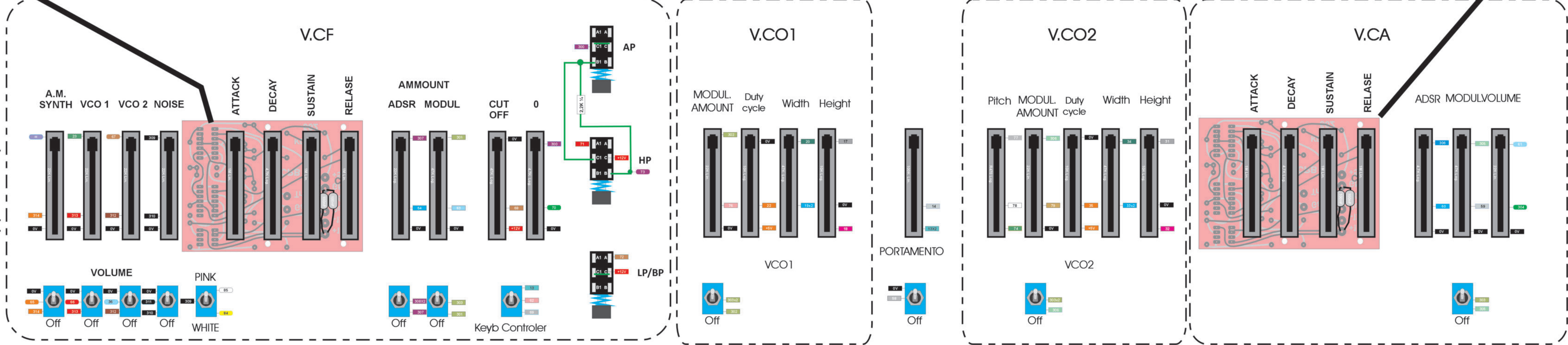
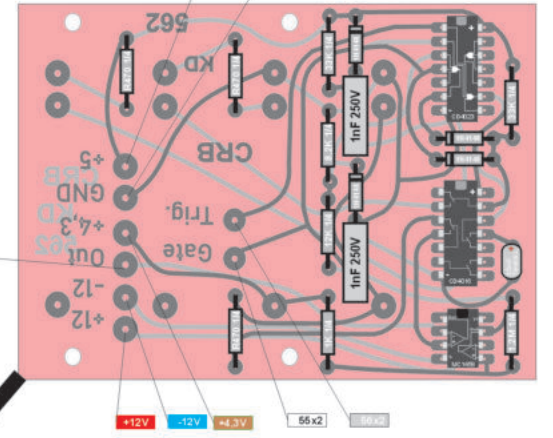
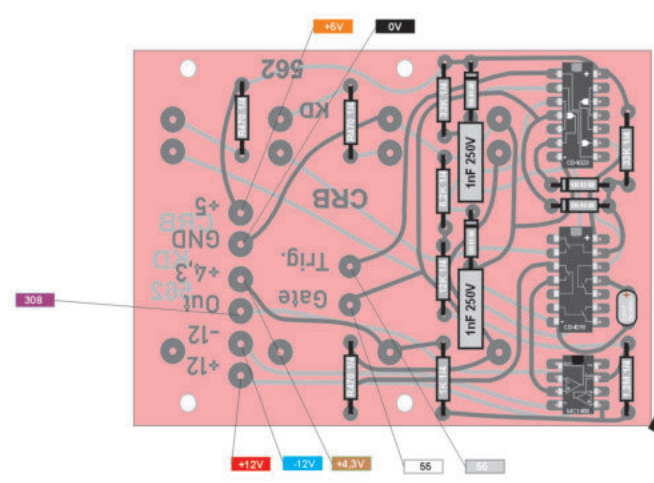
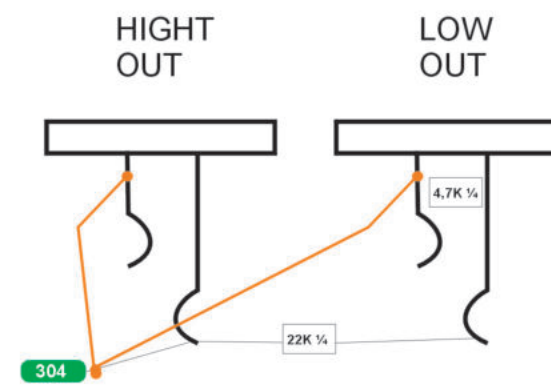
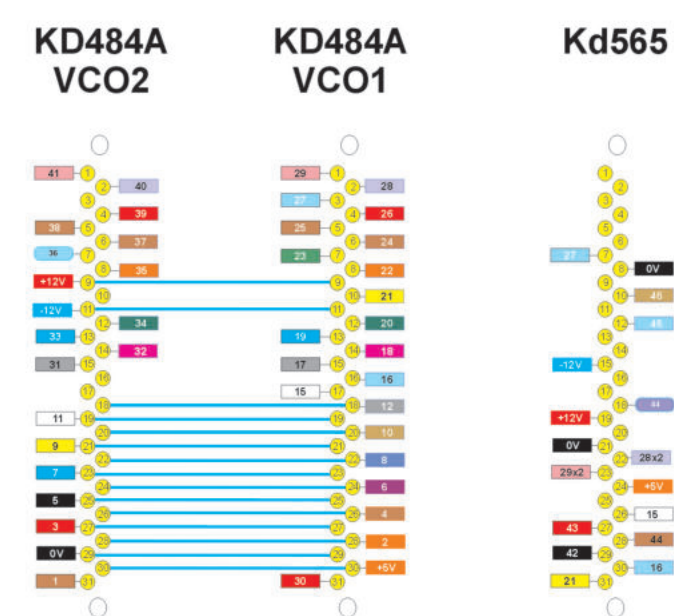


**MODULATOR OSCILLATOR**

Waveform selection: square, sawtooth, sine

FREQUENCY (slider)

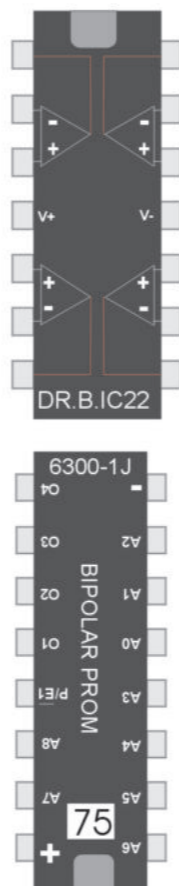
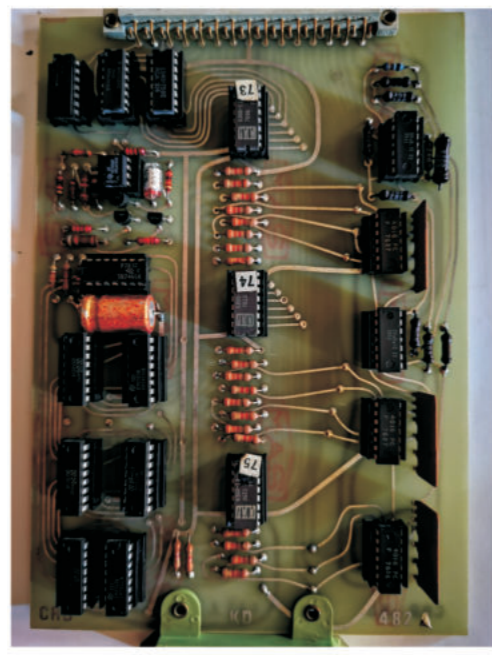
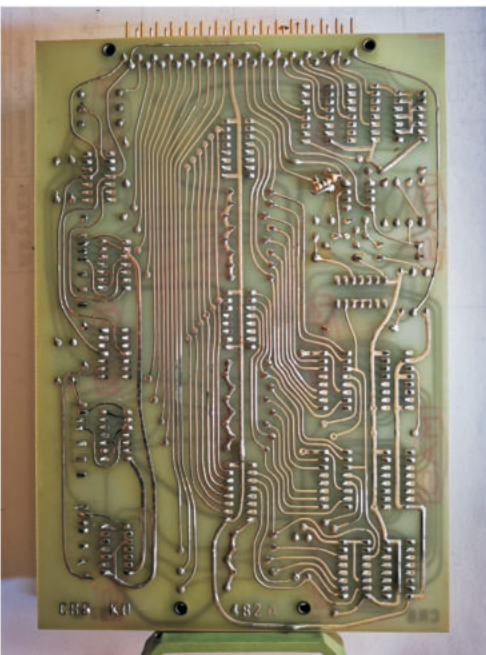
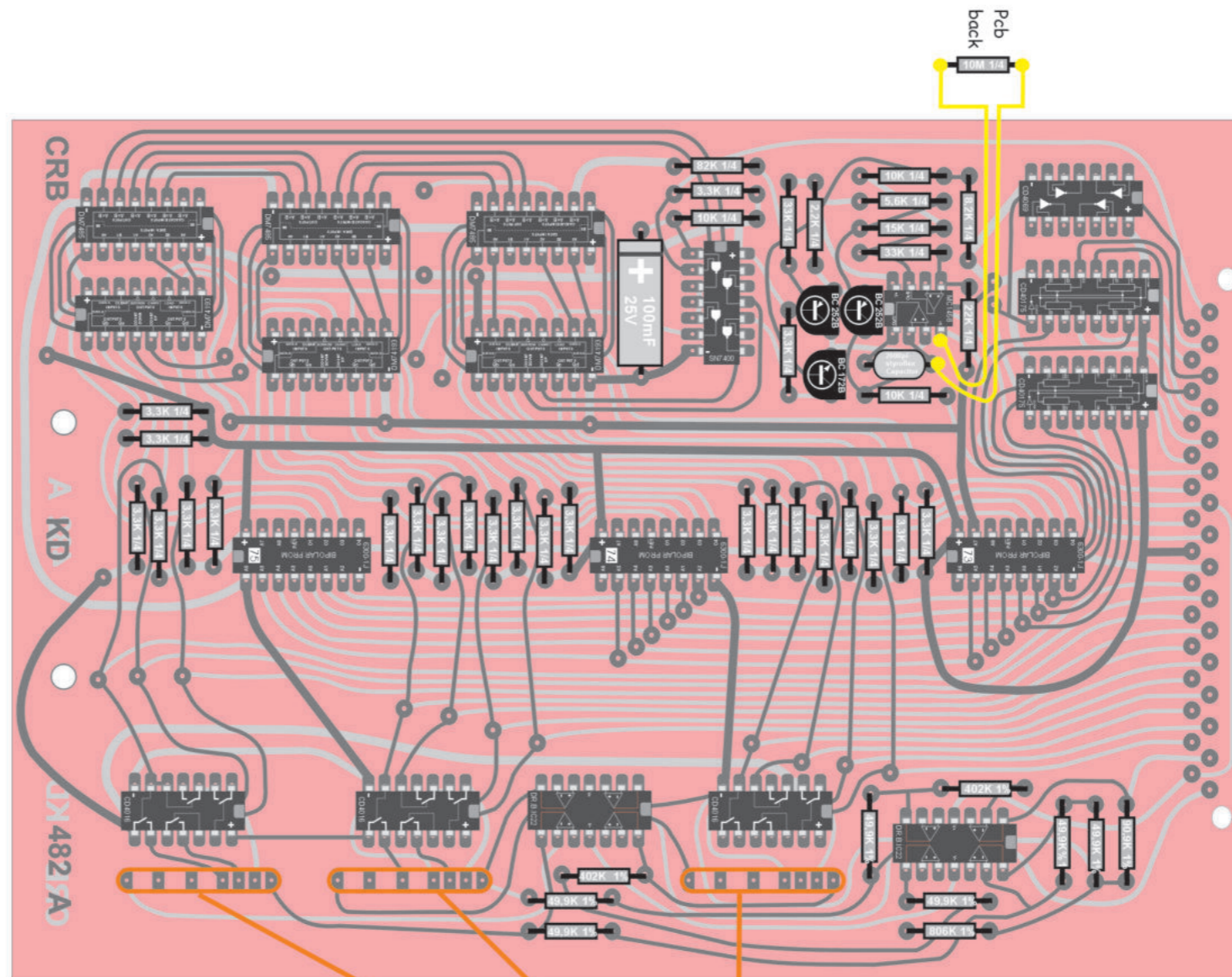
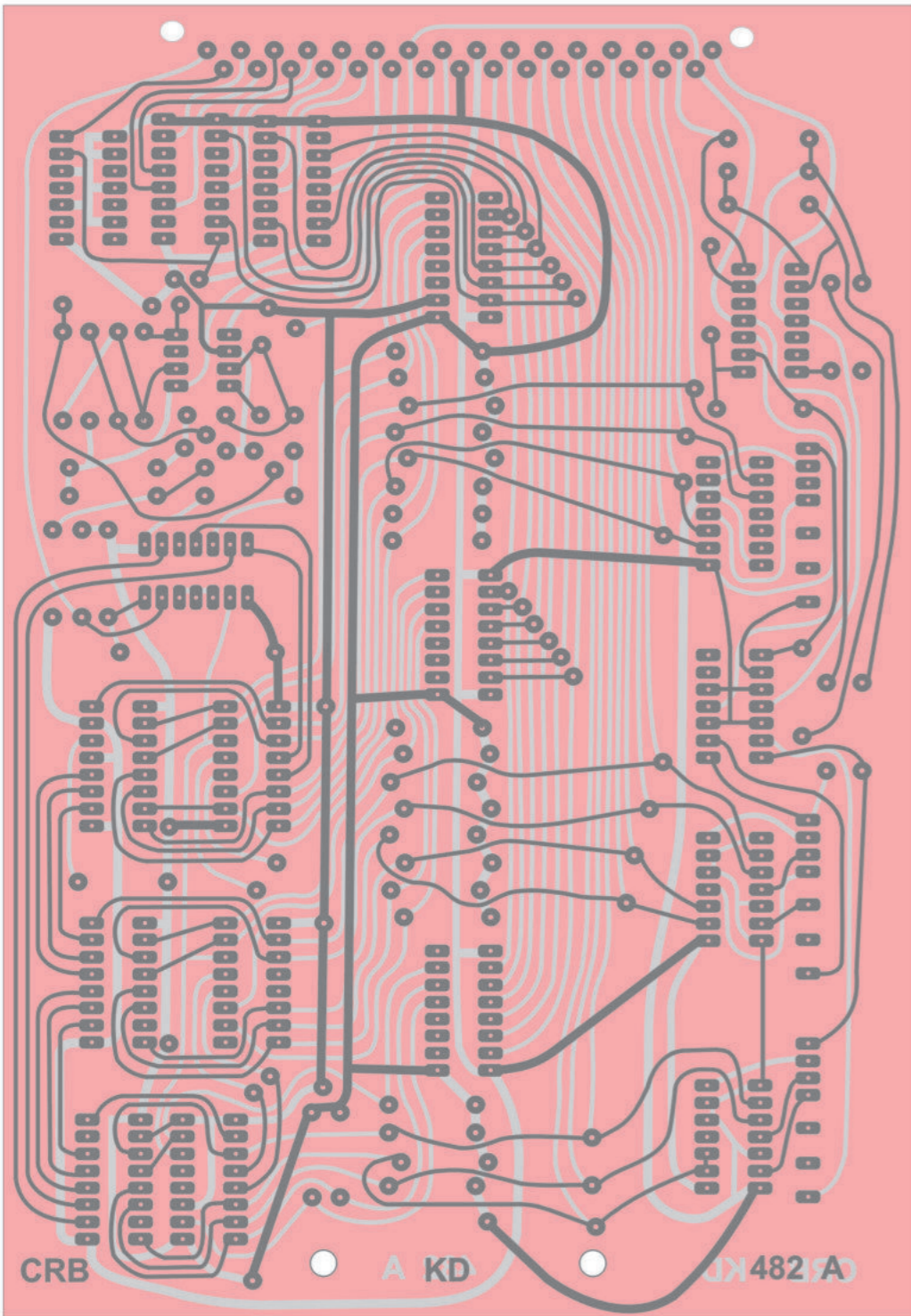
0 (red display)





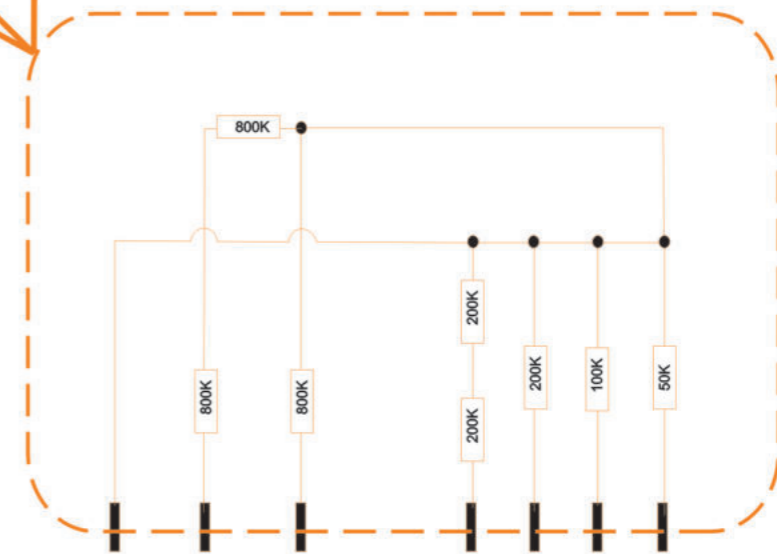






= TL084

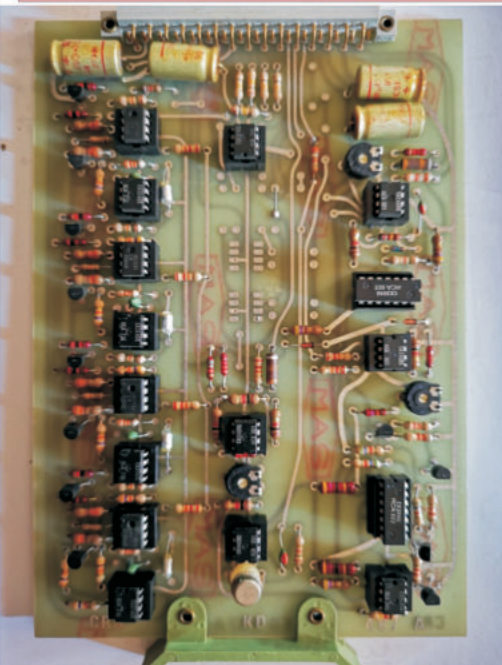
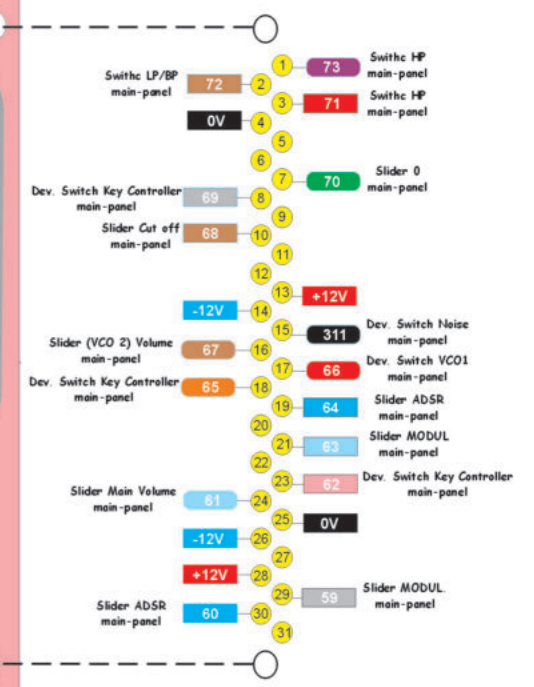
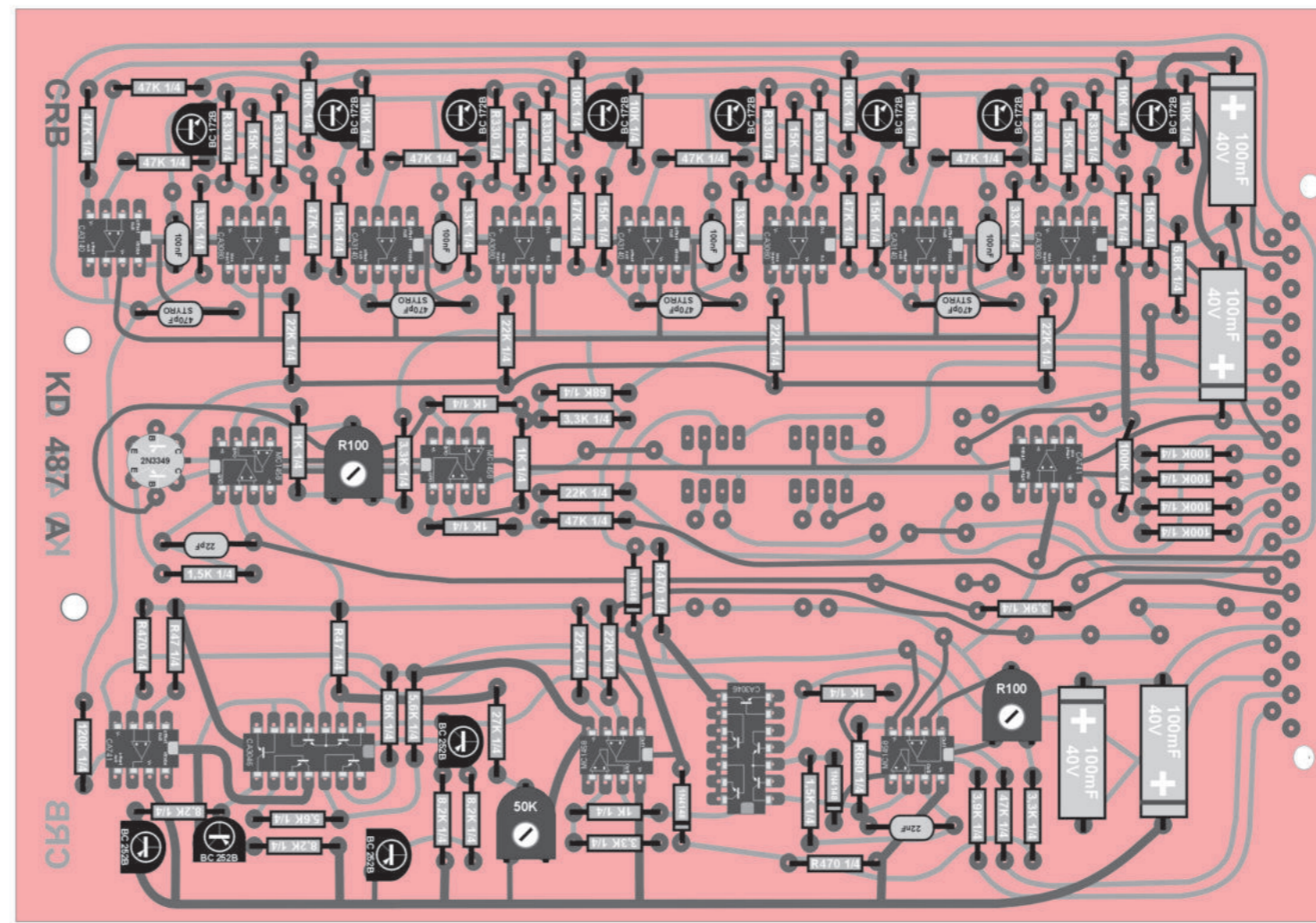
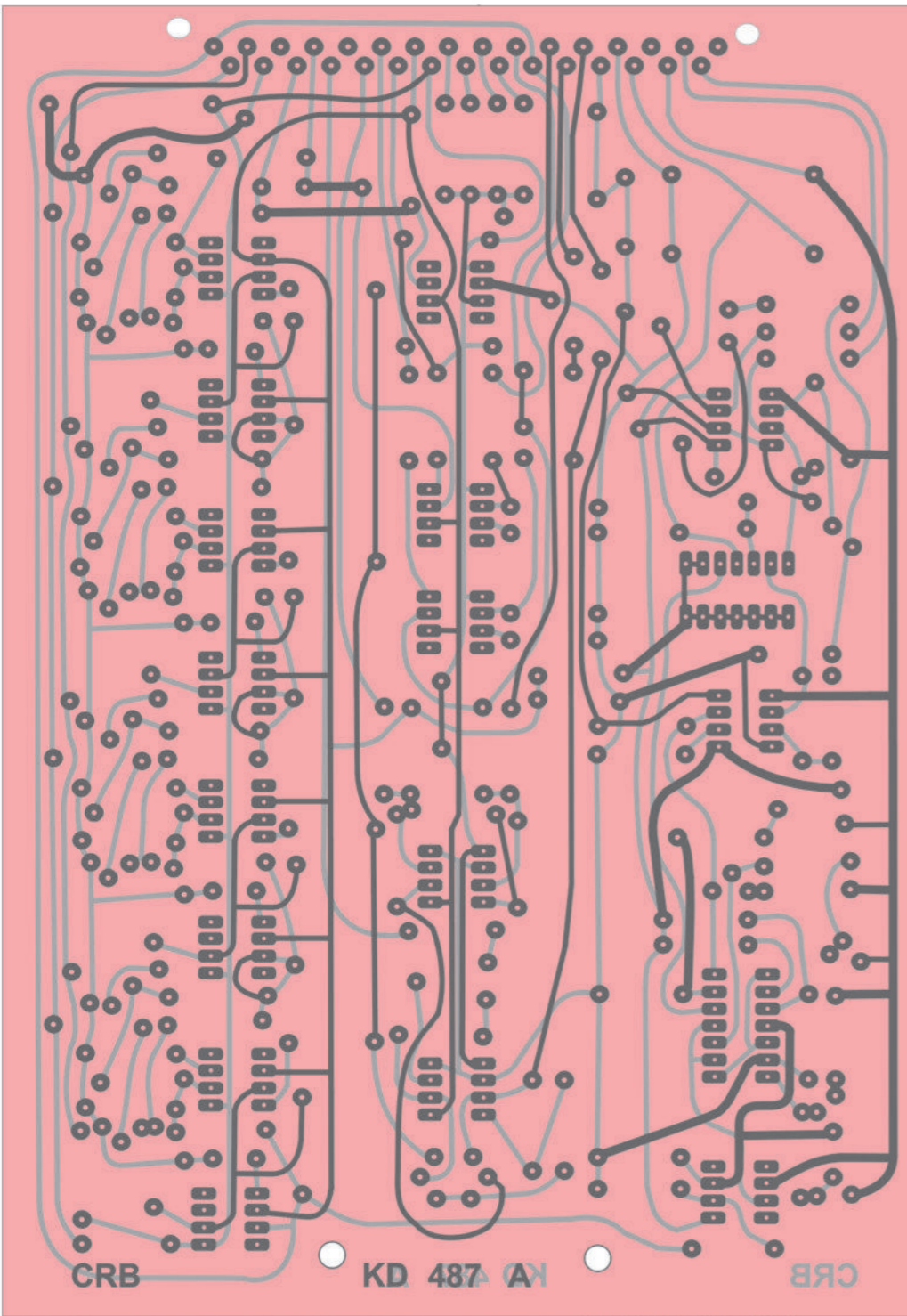
= N82S126AN Bipolar Prom



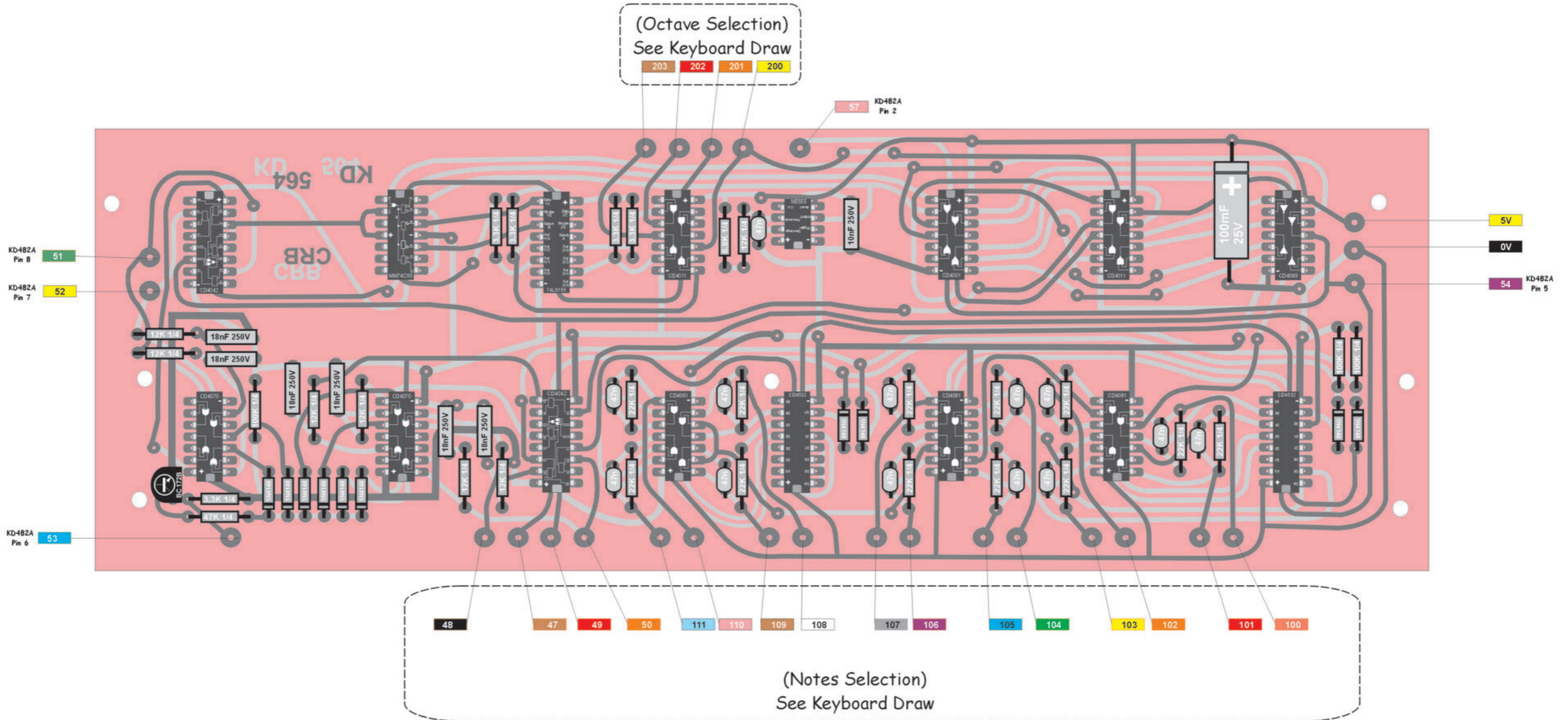
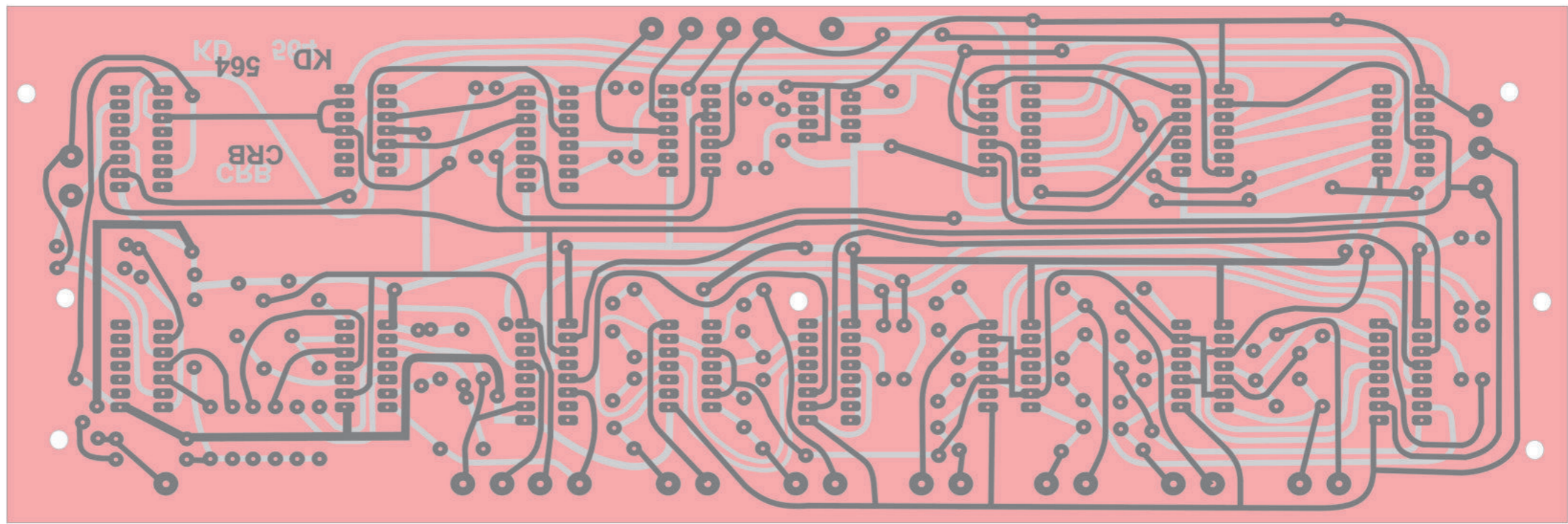
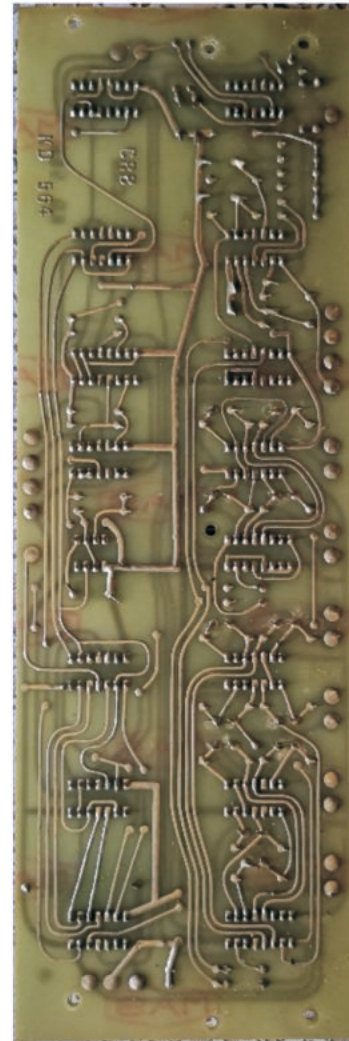
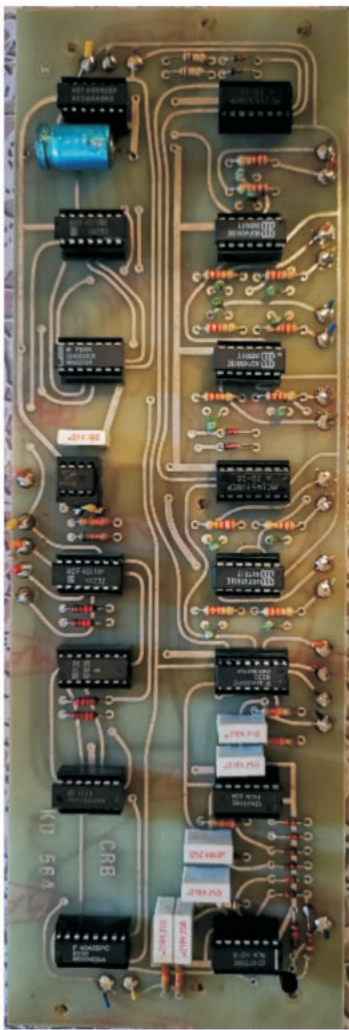
Ibrid Circuit Inside

	Master Keyboard Controller			<b>OBERON</b> sigla K4482A
	Materiale Aggiamenti	scala Data	Data Data	Manofabbrica Marco Molendi FIRMA Giovanni-Livieni





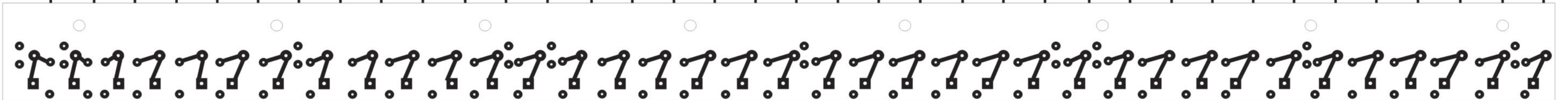
	<b>VCF</b>			<b>OBERON</b>	
	Modello	Scala	Data	Manifattura	Marco Molendi
Aggiornamenti				FRMA	Giovanni-Livieri



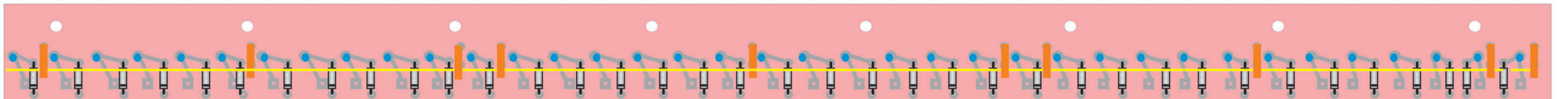
	Keyboard-Binary Controller			<b>OBERON</b>
				Scala <b>Kd564</b>
	Materiali	Scala	Data	Manifattore <b>Marco Molendi</b>
	Aggiornamenti			FIRMA <b>Giovanni-Livieri</b>

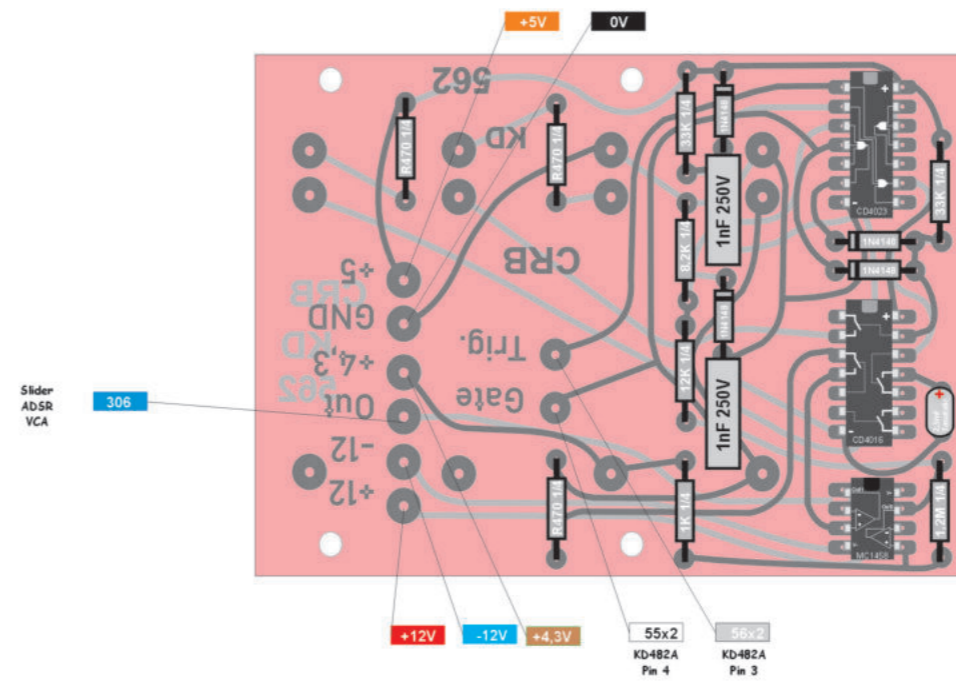
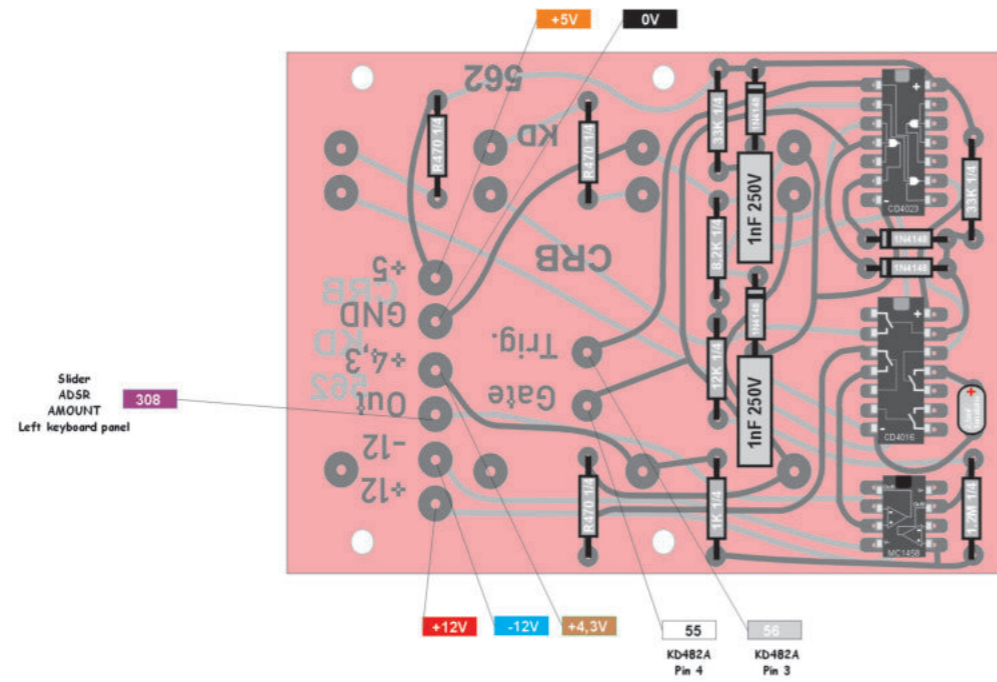
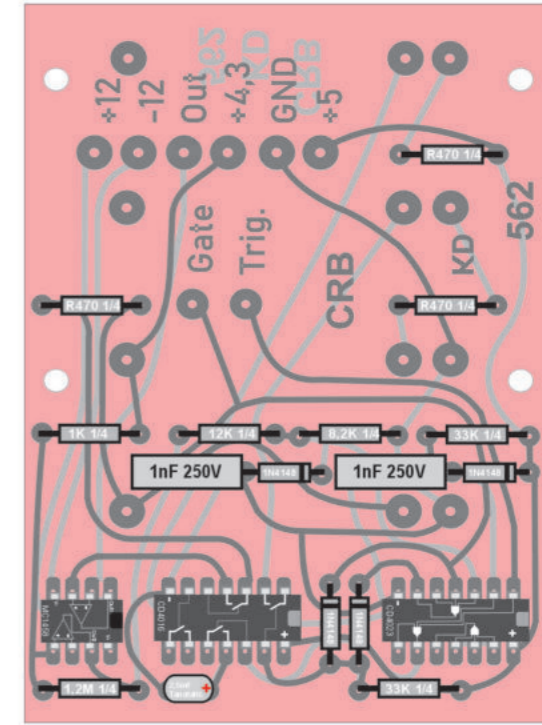
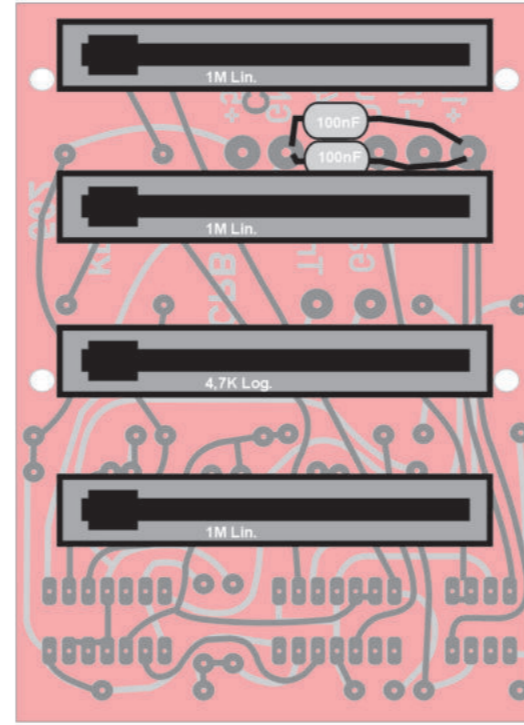
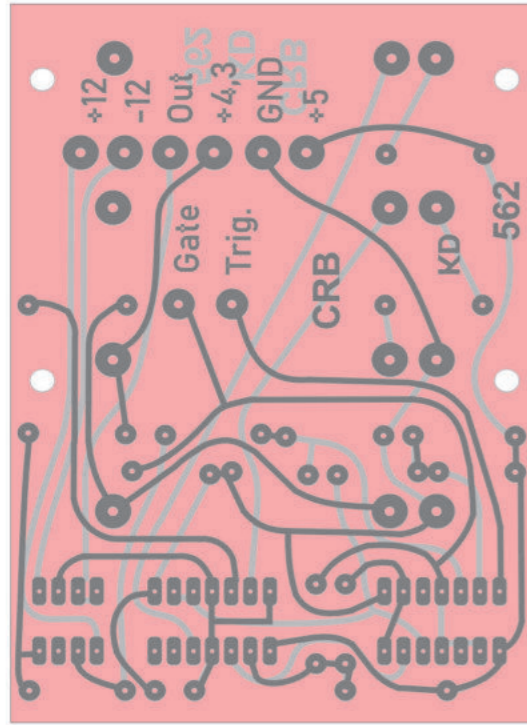


DO<sup>4</sup> SI<sup>3</sup> LA<sup>3#</sup> LA<sup>3</sup> SOL<sup>3#</sup> SOL<sup>3</sup> FA<sup>3#</sup> FA<sup>3</sup> MI<sup>3</sup> RE<sup>3#</sup> RE<sup>3</sup> DO<sup>3#</sup> DO<sup>3</sup> SI<sup>2</sup> LA<sup>2#</sup> LA<sup>2</sup> SOL<sup>2#</sup> SOL<sup>2</sup> FA<sup>2#</sup> FA<sup>2</sup> MI<sup>2</sup> RE<sup>2#</sup> RE<sup>2</sup> DO<sup>2#</sup> DO<sup>2</sup> SI<sup>1</sup> LA<sup>1#</sup> LA<sup>1</sup> SOL<sup>1#</sup> SOL<sup>1</sup> FA<sup>1#</sup> FA<sup>1</sup> MI<sup>1</sup> RE<sup>1#</sup> RE<sup>1</sup> DO<sup>1#</sup> DO<sup>1</sup>

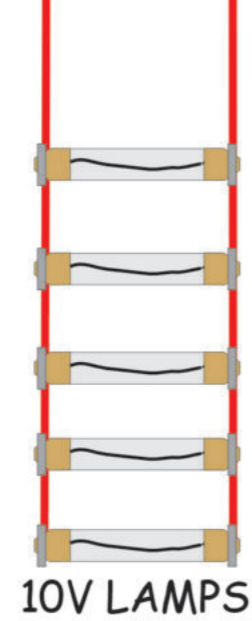
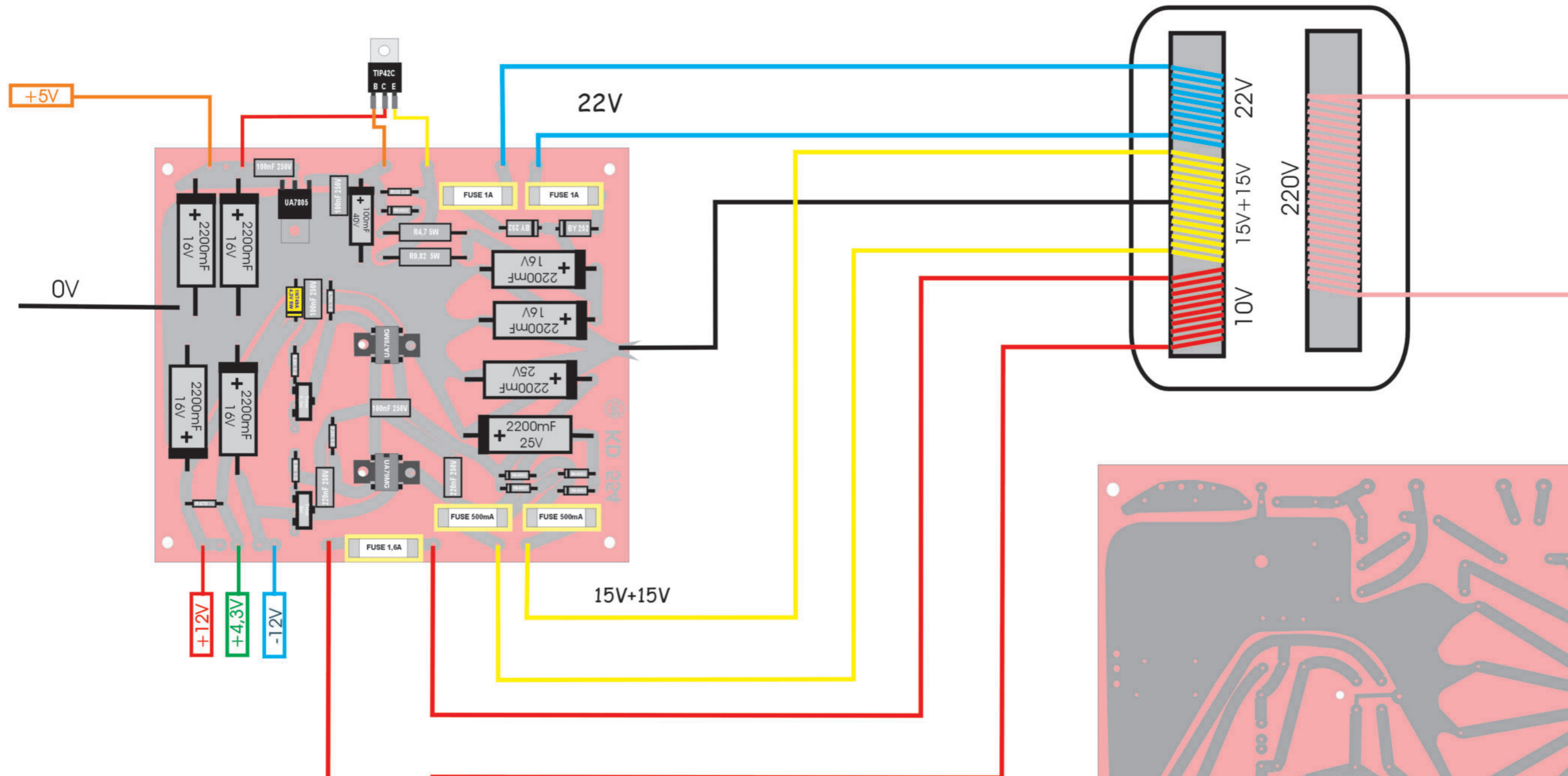


DO<sup>1</sup> DO<sup>1#</sup> RE<sup>1</sup> RE<sup>1#</sup> MI<sup>1</sup> FA<sup>1</sup> FA<sup>1#</sup> SOL<sup>1</sup> SOL<sup>1#</sup> LA<sup>1</sup> LA<sup>1#</sup> SI<sup>1</sup> DO<sup>2</sup> DO<sup>2#</sup> RE<sup>2</sup> RE<sup>2#</sup> MI<sup>2</sup> FA<sup>2</sup> FA<sup>2#</sup> SOL<sup>2</sup> SOL<sup>2#</sup> LA<sup>2</sup> LA<sup>2#</sup> SI<sup>2</sup> DO<sup>3</sup> DO<sup>3#</sup> RE<sup>3</sup> RE<sup>3#</sup> MI<sup>3</sup> FA<sup>3</sup> FA<sup>3#</sup> SOL<sup>3</sup> SOL<sup>3#</sup> LA<sup>3</sup> LA<sup>3#</sup> SI<sup>3</sup> DO<sup>4</sup>





	<b>ADSR-CONTROLLER (VCF-VCA)</b>			<b>OBERON</b>
				Sgla <b>Kd562</b>
	Materiali	Scala	Data	Manifattori <b>Marco Molendi</b>
	Aggiornamenti			FRMA <b>Giovanni-Livieri</b>



	POWER-SUPPLY			<b>OBERON</b> Sgto K4554
	Materiale Aggiornamenti	Scala	Data	Manufattore Marco Molendi FIRMA Giovanni-Livieri