

Shell plan : CRUMAR

(Copied: 21.07.1990, Probst/plan)

Bill of



FEMALE CONNECTOR SYMBOL (es. J 2/1)



PLUG IN CONNECTOR SYMBOL



WIRE SOLDERING POINT



TEST POINT (T P...)



CONNECTING POINT (ON p.c.b.)



METALLIC FILM RESISTOR 1%

ALL resistors 1/4w unless otherwise indicated

ALL tab switches shown in OFF position

ALL key switches shown in OFF position

See part list for component part numbers

CRUMAR RESERVES THE RIGHT TO CHANGE
SPECIFICATIONS AND DESIGNS, WITHOUT
NOTICE AND LIABILITY.

MODEL: BIT ONE

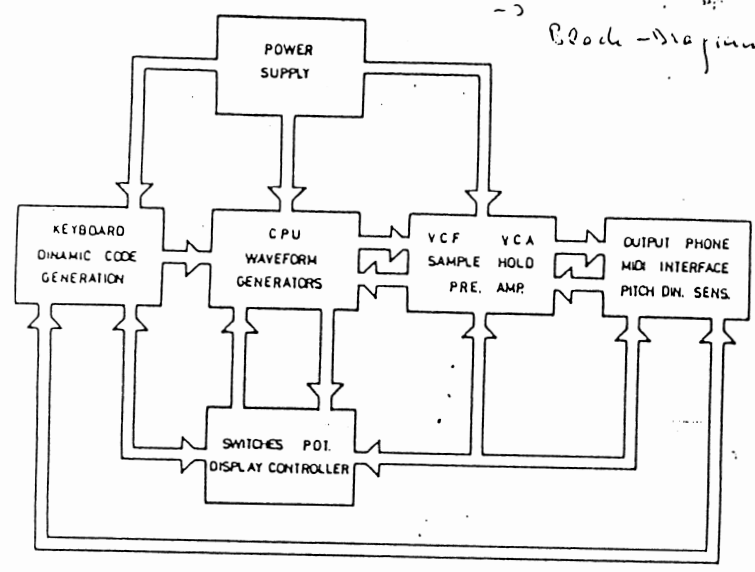
ELECTRONIC COMPONENT LIST

MODEL: BIT ONE

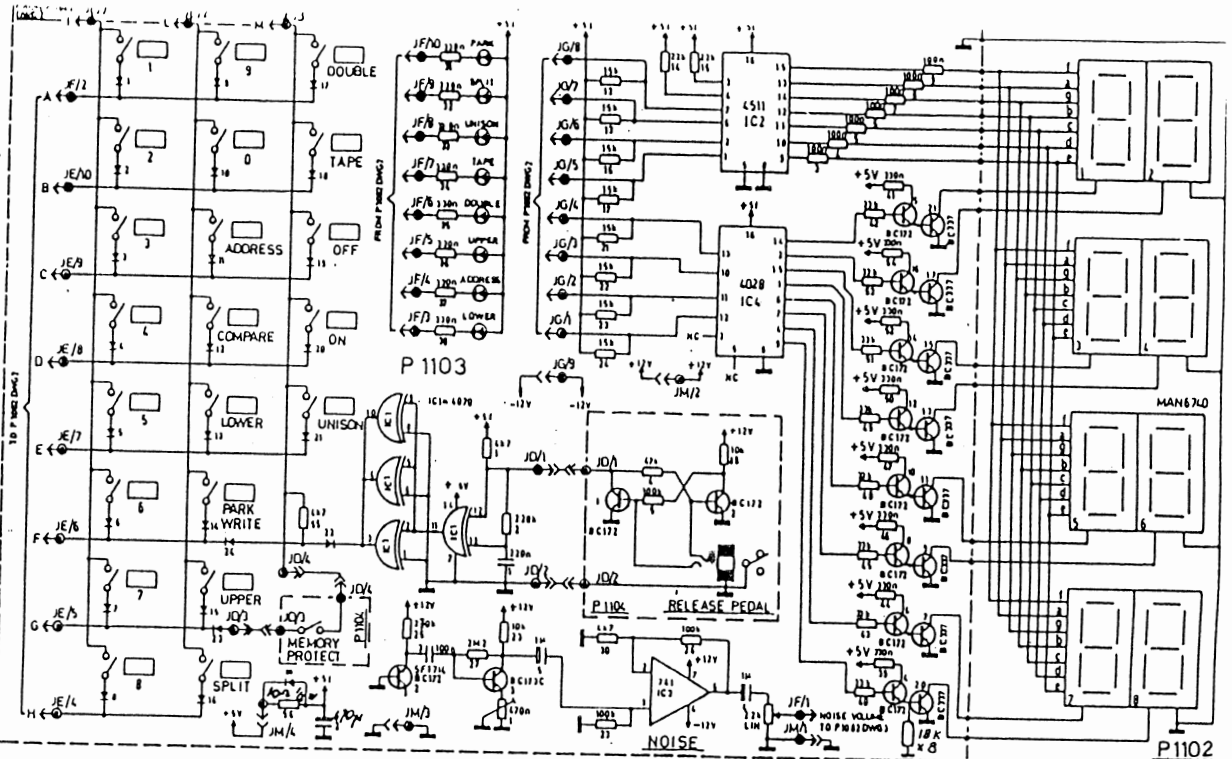
ELECTRONIC COMPONENT LIS

Schem. Ref.	Circuit	Type	Part Code	Schem. Ref.	Circuit	Type	Part Code
POWER SUPPLY (DWG 1)				MICRO BOARD (DWG 2-3)			
P-1105 (Semko)	Complete with components		978002863	IC17	Decoders and Demultiplexers	LS139	68020215
	Transformer T81 Semko		18010137	IC18	Transparent latch	LS373	68020214
P1105 (C.S.A.)	Complete with components		978002864	IC19	RAM	μPD449	68070216
	Transformer T81 CSA		18010138	IC20	Memory	2764a	68040211
PD1	Rectifier bridge	KBL04	66000006	IC21	Memory	2764b	68040211
PD2	Rectifier bridge	W02	66000001	IC22-23-24-25	Programmable Oscillator	8253	68070210
RT1	Voltage regulator	7912	62110037	IC26-27	Inv. Buffers	4049	68010131
P1108	Complete with components		978002867	IC28 ÷ 33	Dual up. counters	4520	68000045
RT2	Voltage regulator	7812	62110027	IC34-36-38-40	Dual Op. Ampl.	TL082	68030163
RT3	Voltage regulator	75505	62110043	42-44			
P1102	DISPLAY'S BOARD (DWG 1)			IC35-37-39-41	Dual Op. Ampl.	LM393	68030222
	Complete with components		978002860	43-45			
	Double display	MAN6740	10120016	IC46 ÷ 54	Quad analog. switches	4016	68000072
P1100	KEY SWITCHES BOARD (DWG 1)			TR	Transistors	BC173C	62120003
	Complete with components		978002858	TR	Transistors	BC172B	62210003
IC1-4-5	Non invert. Buffers	4050	68000085	P1113	FILTERS BOARD (DWG 4)		
IC2	Op. Ampl.	TL081	68030205		Complete with components		978002872
IC3	Micro	8051	68070208	IC1-2-3	V.C.A.	LM13700	68030219
P1103	SWITCHES BOARD (DWG 1)			IC4*5-6-8-10	Dual Op. Ampl.	TL082	68030163
	Complete with components		978002861	12-14-16-18			
IC1	Quad. ex. "OR" Gate	4070	68000070	19-20-25-26			
IC2	Decoder	4511	68000086	IC7-9-11-13	V.C.F.	3328	68030223
IC3	Op. Ampl.	741	68000059	15-17			
IC4	Decoder	4028	68000091	IC21	Dual Op. Ampl.	358	68000093
TR	Transistors	BC173C	62120003	IC22-23-24	Analog. Multiplexers.	4051	68010154
TR	Transistors	BC172B	62210003	IC27	Dual Op. Ampl.	1458N	68000053
TR	Transistors	BC337-40	62110038	TR	Transistors	BC173C	62120003
TR	Transistors	SFT714	62210002	TR	Transistors	BC308	62210001
P1082	MICRO BOARD (DWG 2-3)			P1104	OUTPUTS BOARD (DWG 4)		
	Complete with components		978002835		Complete with components		978002862
IC1-2-55-56-57	Dual. Op. Ampl.	1458N	68000053	IC1	Amplifier	380N	68030203
IC3-4	Non invert. Buffers.	4050	68000085	IC2	Op. Ampl.	741	68000059
IC5-6	Master Oscillator	74LS221	68000058	IC3	Dual Op. Ampl.	1458	68000054
IC8-9-12-14	Transparent latch	LS374	68020213	IC4	Positive "AND" Gate	7409	68020221
58-59				IC5	Opto isolator	6N138	68070220
IC10	Op. Ampl.	TL071	68030182	P114	OCTAVE TRANSFER (DWG 1)		
IC11	Dig. Analog. Converter	DAC0800	68070197		Complete with components		978002873
IC13	Decoders and Demultiplexers	LS138	68020153	IC1	QUAD 2 - Input "AND" Gate	4051	68000019
IC15	Micro	8031	68070209	IC2	QUAD 2 - Input "NAND" Schnitt Trigger	4093	68000050
IC16	Positive "NAND" Gate	74LS00	68000117	IC3	QUAD 2 - Input "NAND" Gate	4011	68000034

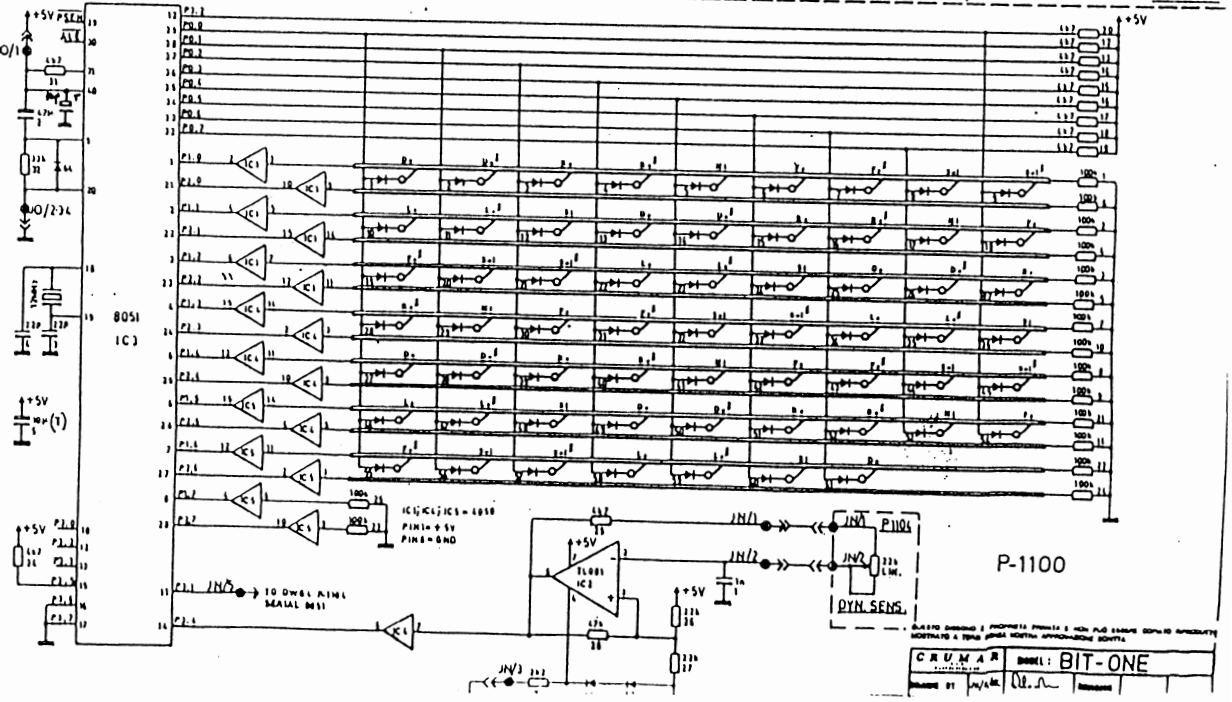
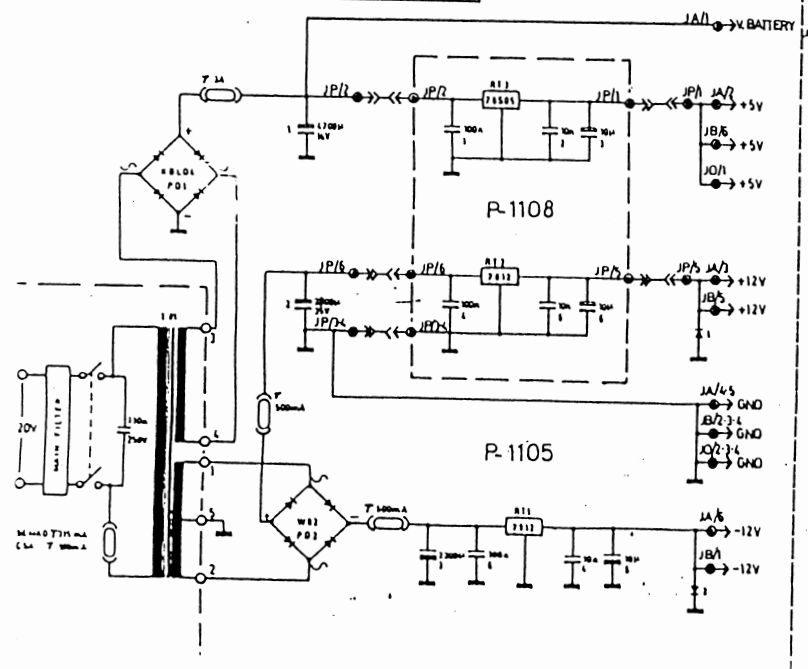
BLOCK DIAGRAM

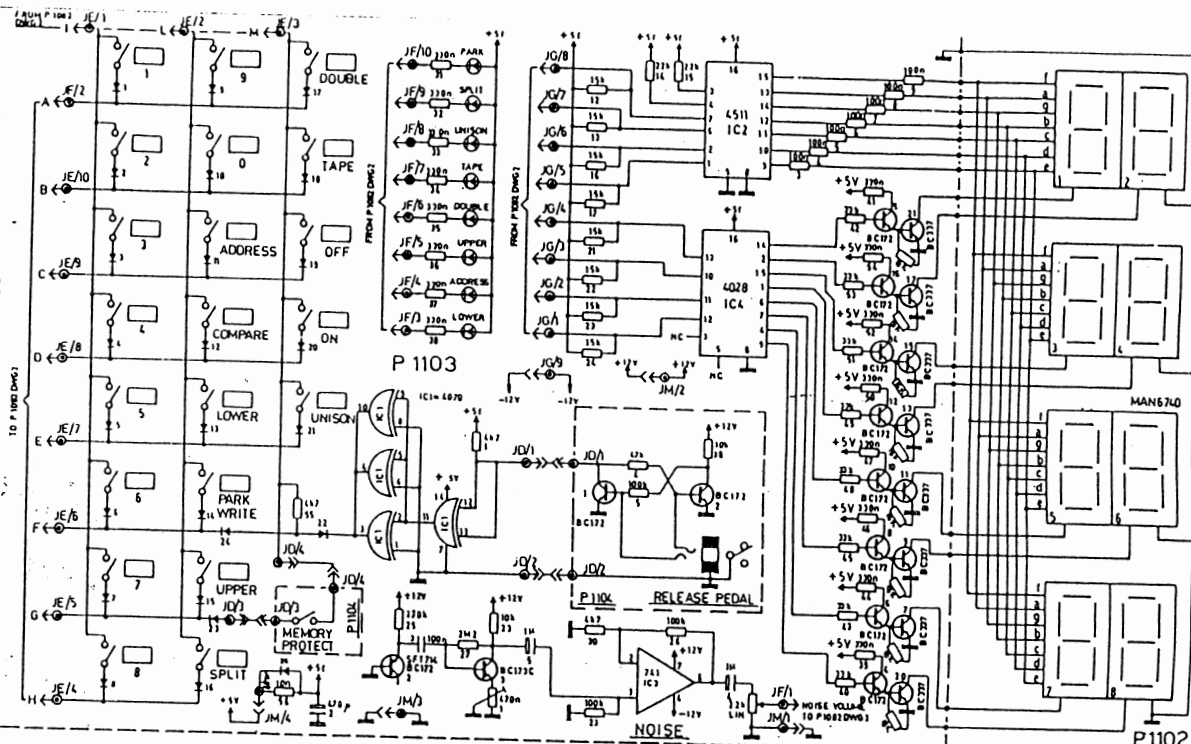
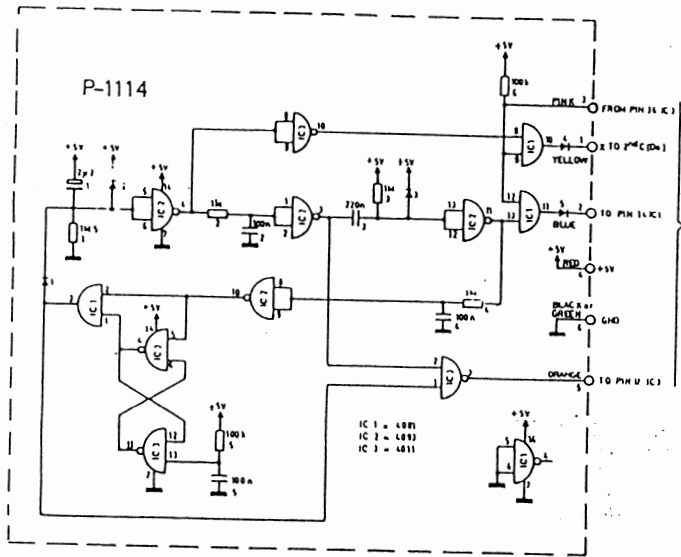


(2. Version)
 still P. 1103
 Block-Diagramm

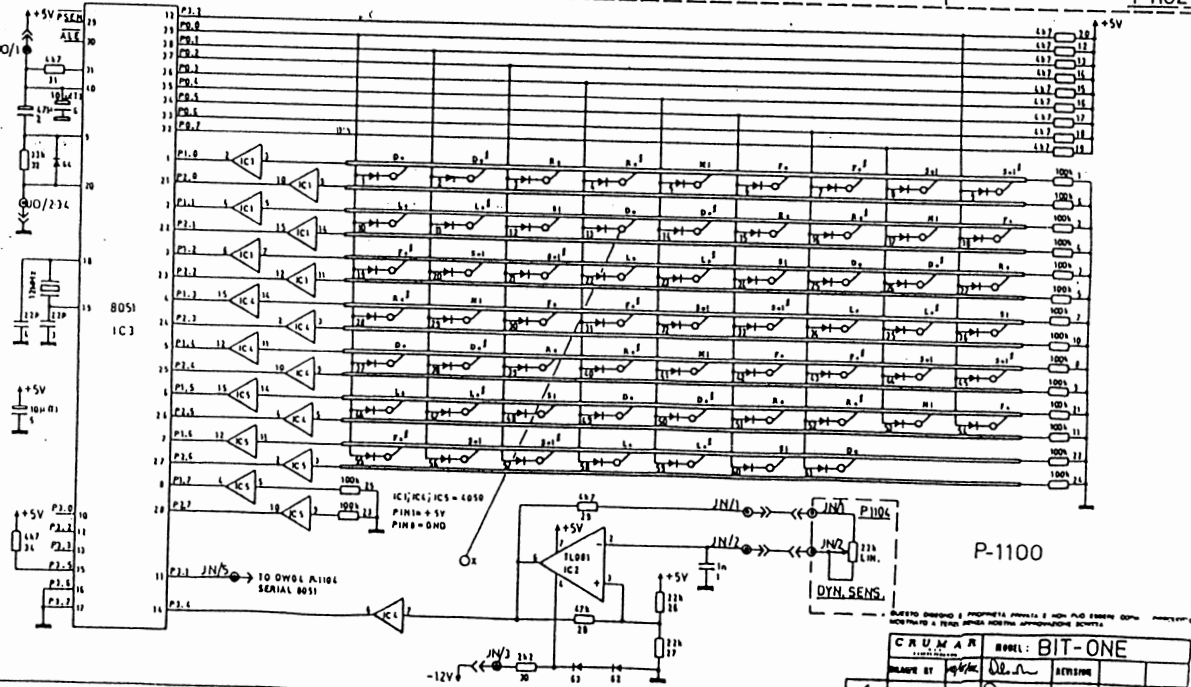
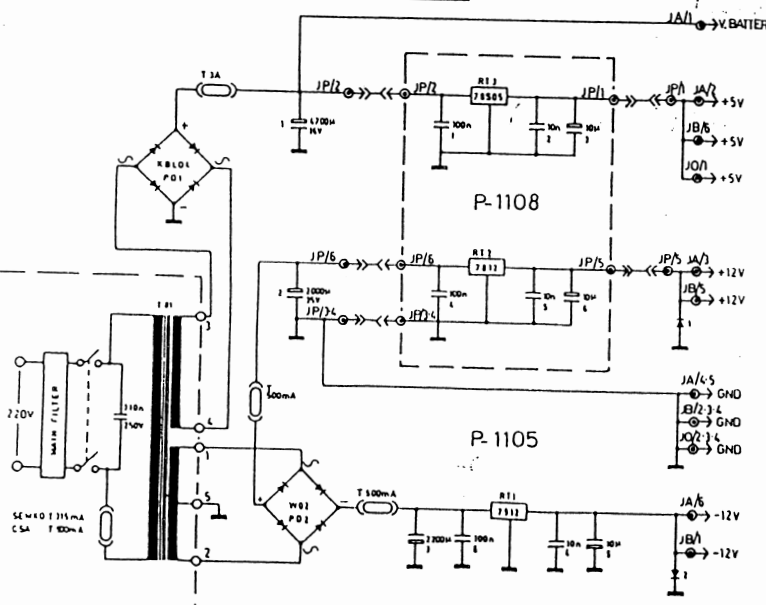


POWER SUPPLY

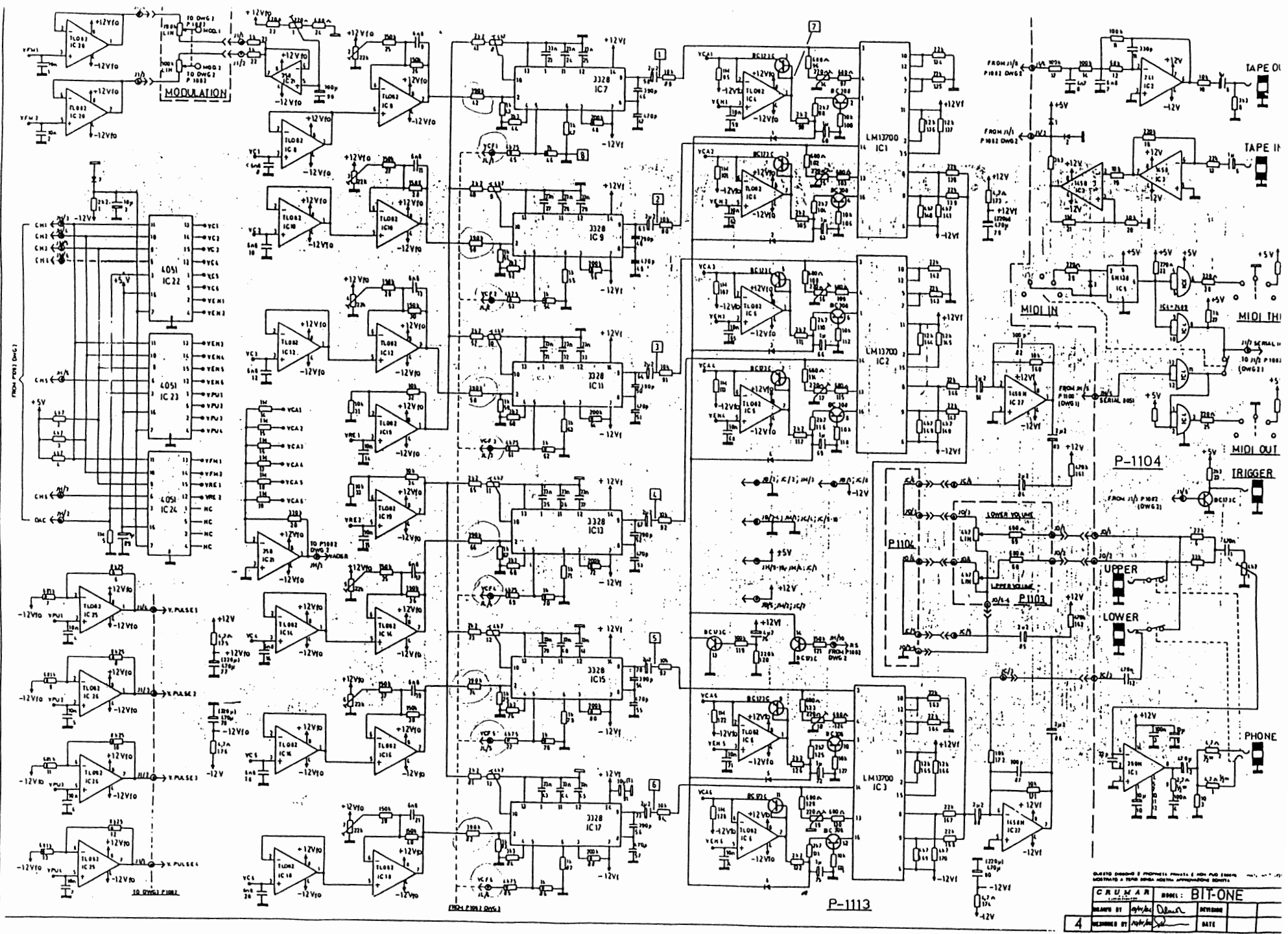


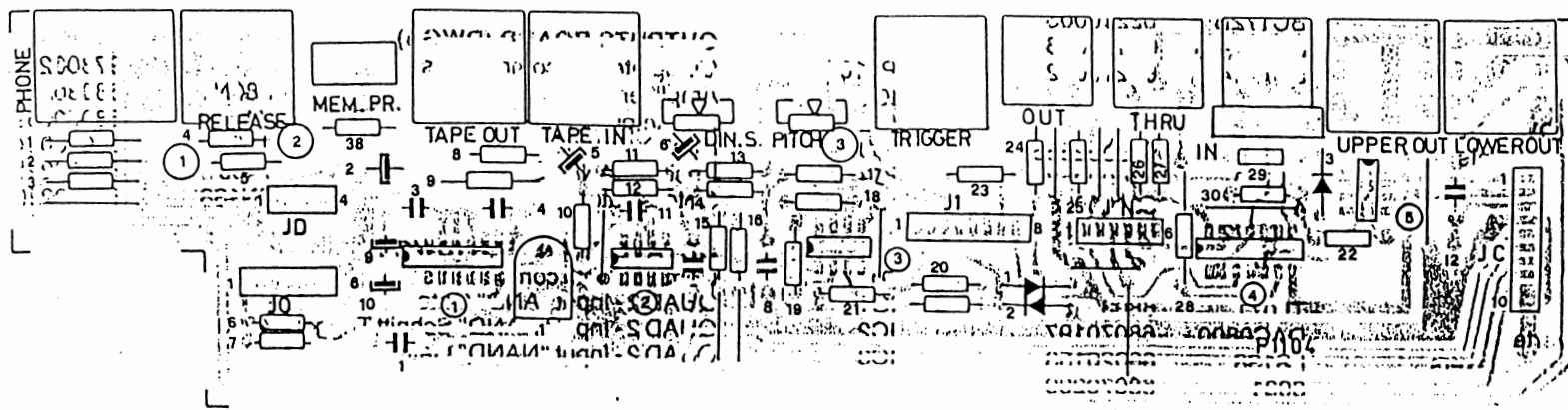
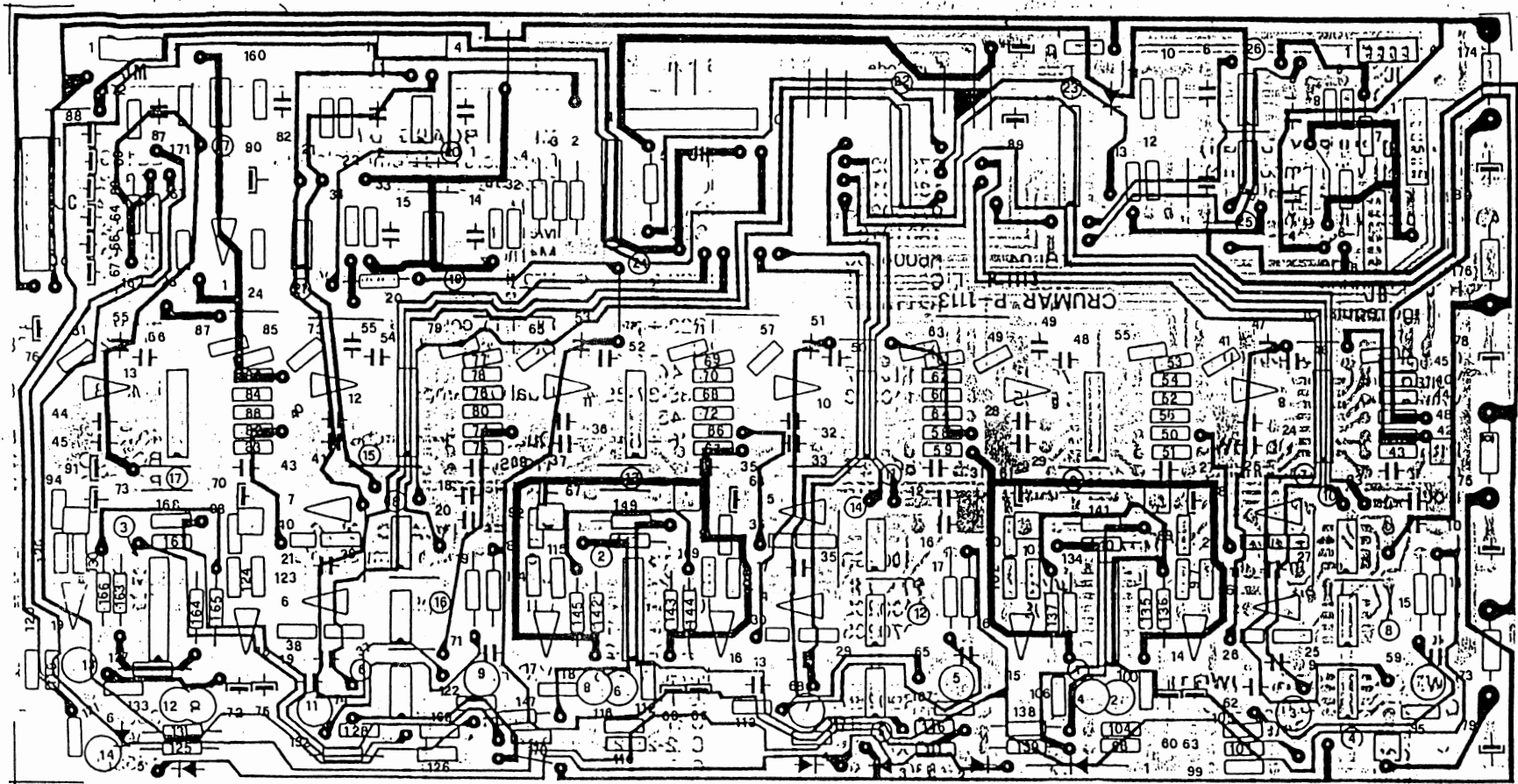


POWER SUPPLY



CRU A R	MODEL: BIT-ONE
DESIGNED BY: [Signature]	REVISION:
PLANNED BY: [Signature]	DATE:

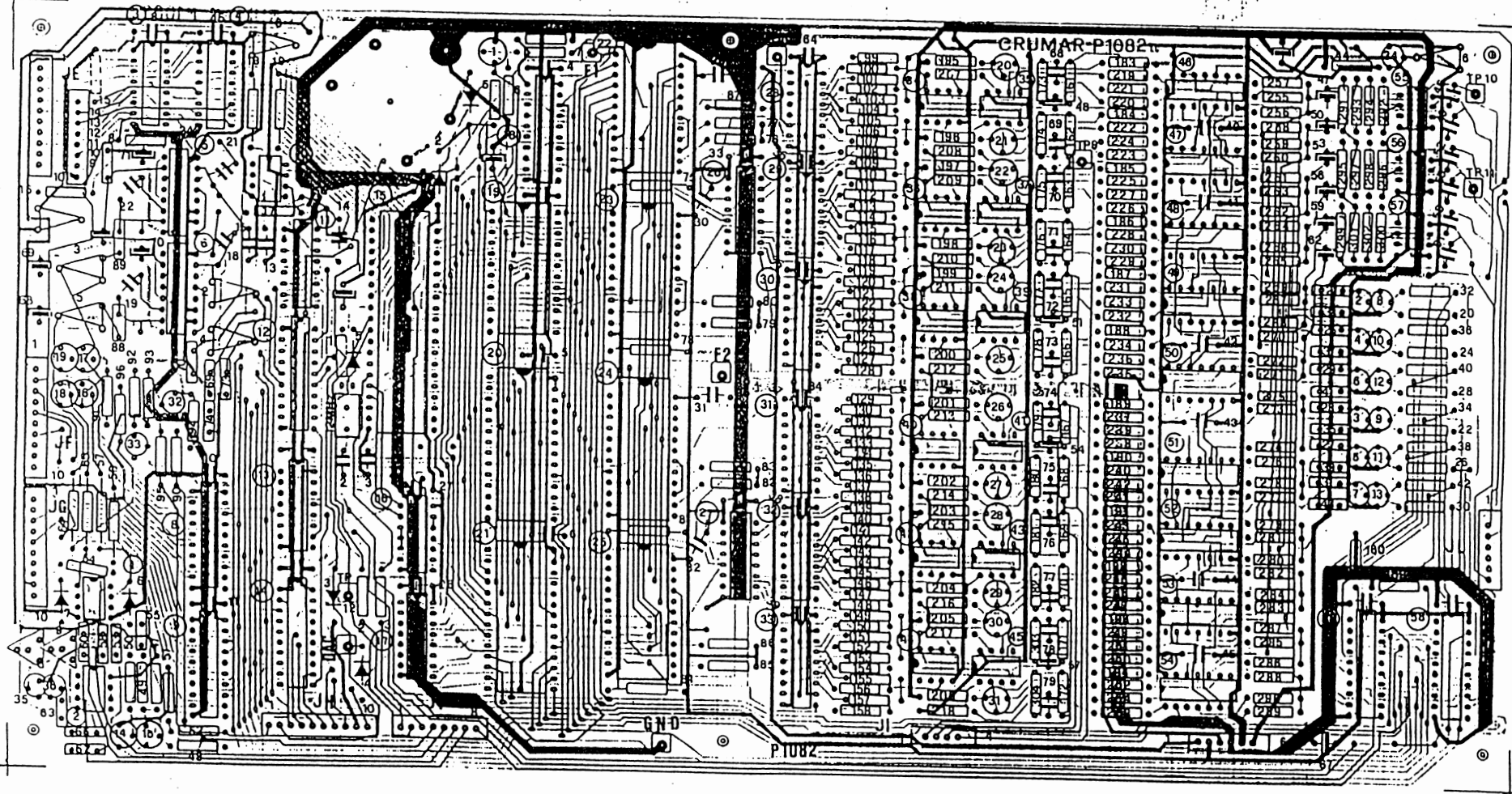




QUESTO SCHEMA È PROPIETÀ PRIVATA E NON PUÒ ESSERE USATO SENZA L'APPROVAZIONE SCRITTA DELL'INGEGNERE CRUMAR P-11333

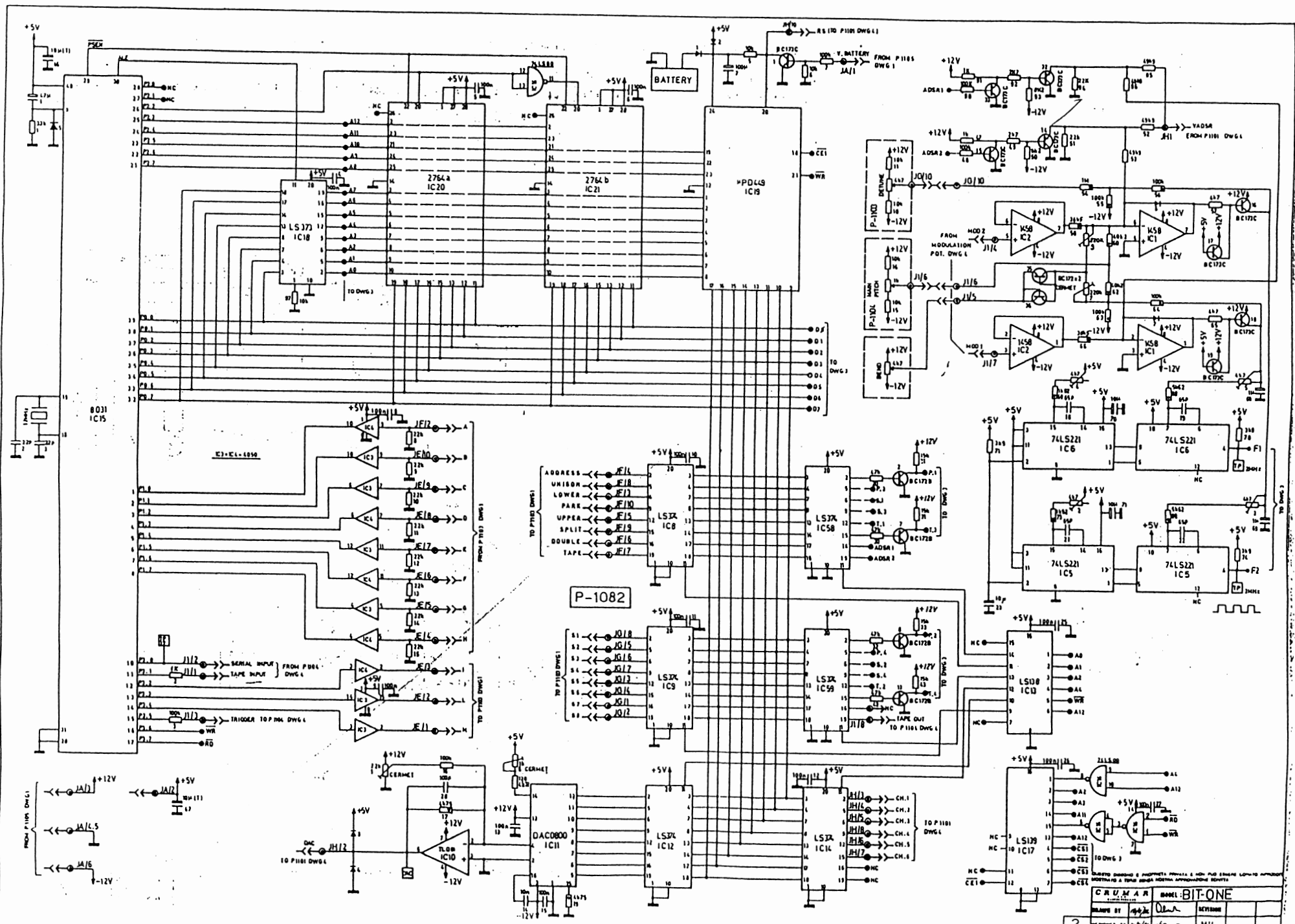
CRUMAR	MODEL: BIT-ONE
MADE BY: CRUMAR	REVISED: 1964
DESIGNED BY: CRUMAR	DATE: 1964

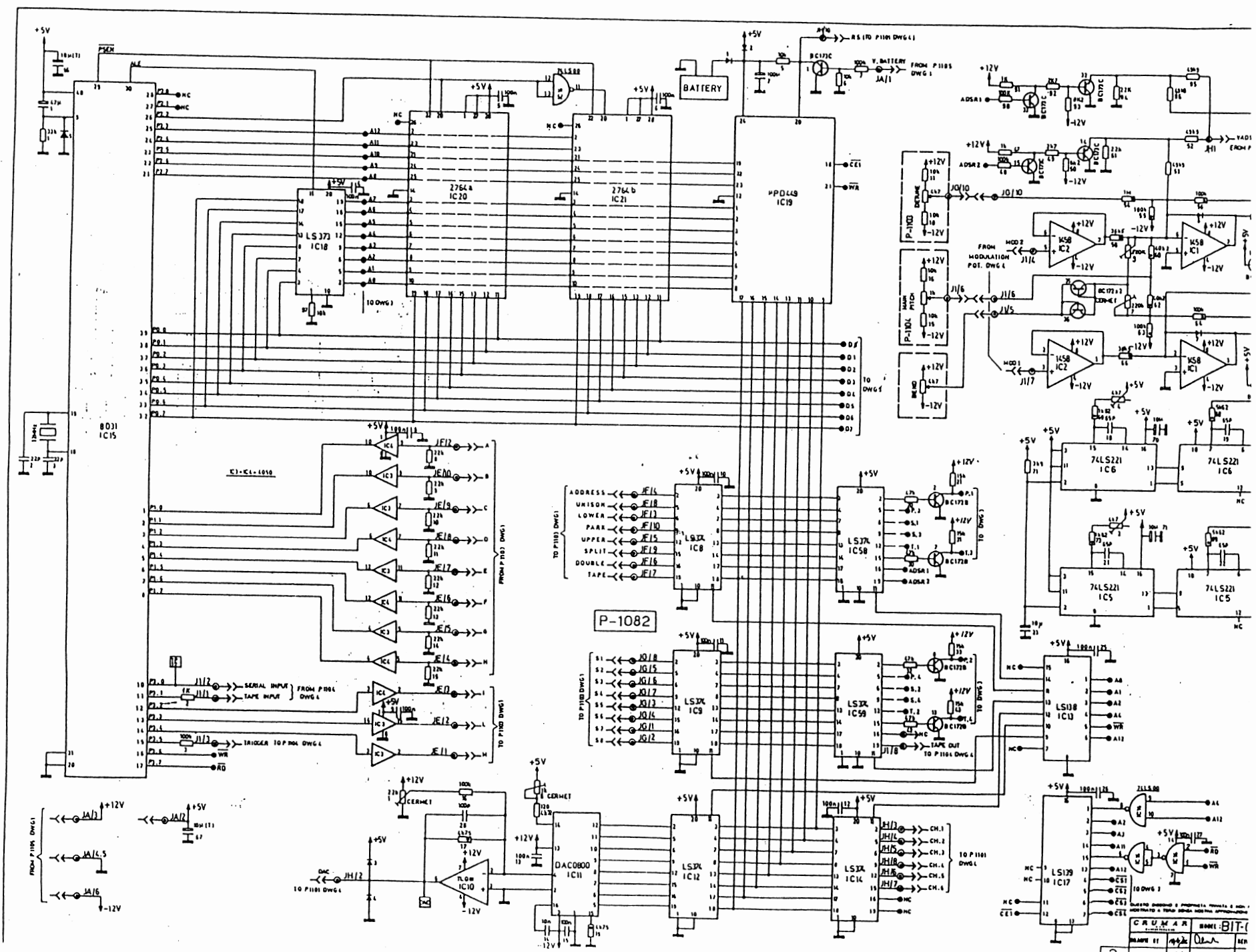
4A



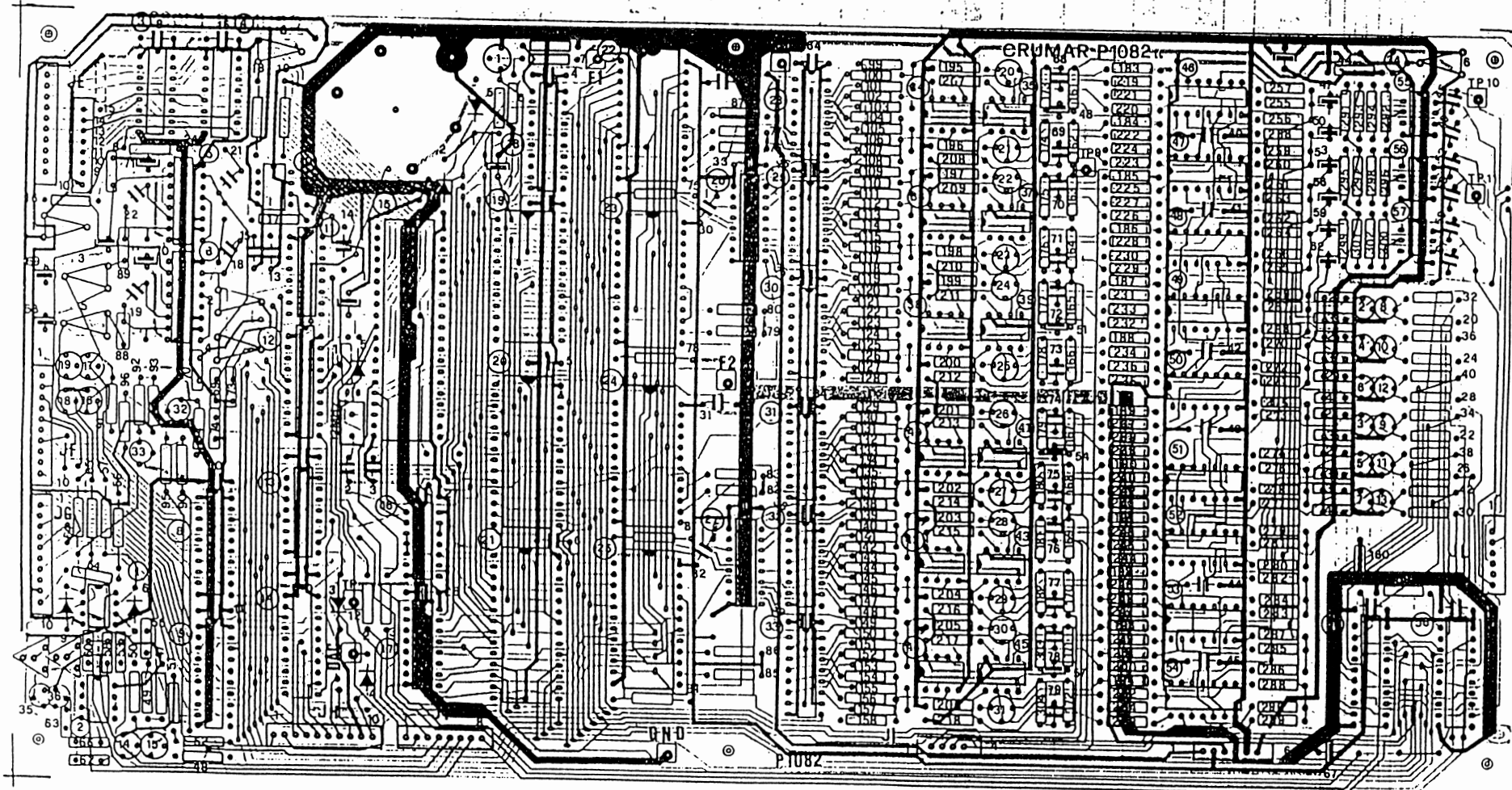
QUESTO DISEGNO È PROPRIETÀ PRIVATA E ADDELLI È SEVERAMENTE SOTTOPRODOTTO A TUTTA SCELTA SOTTO APPROPRIAZIONE SOTTILE

CRUMAR		MODEL: BIT-ONE	
DESIGN BY	DATE	REVISION	
3A			





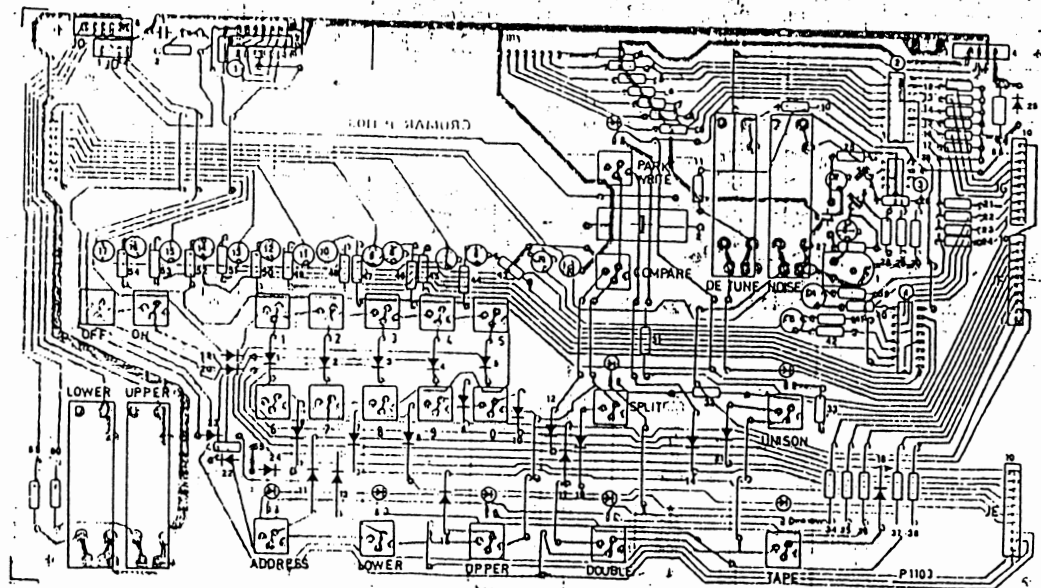
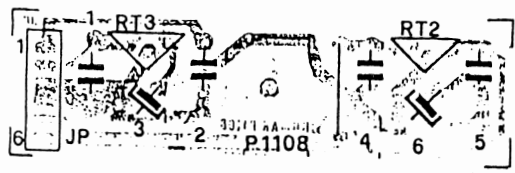
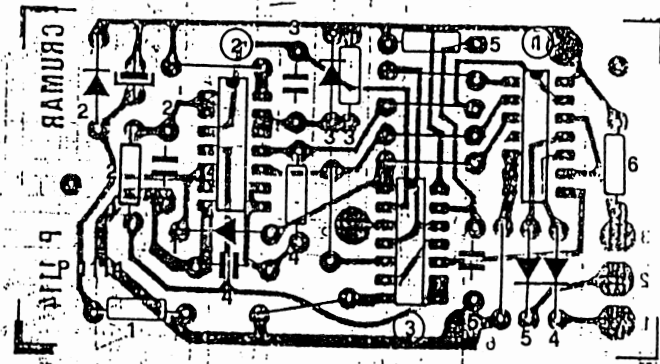
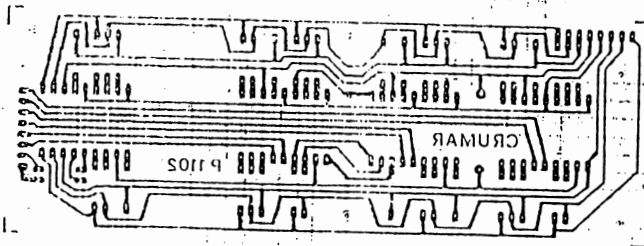
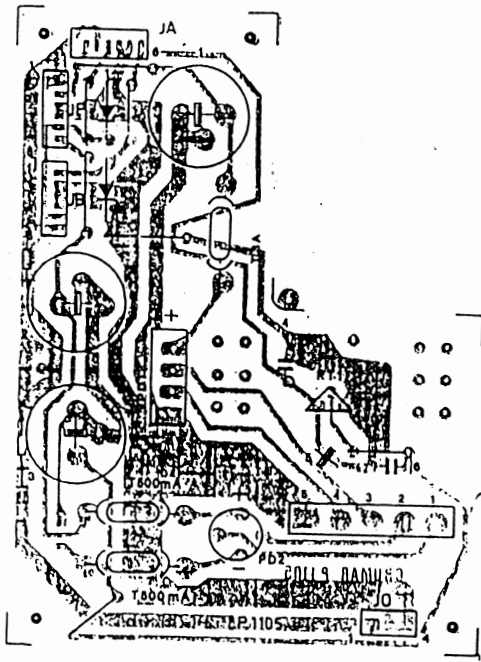
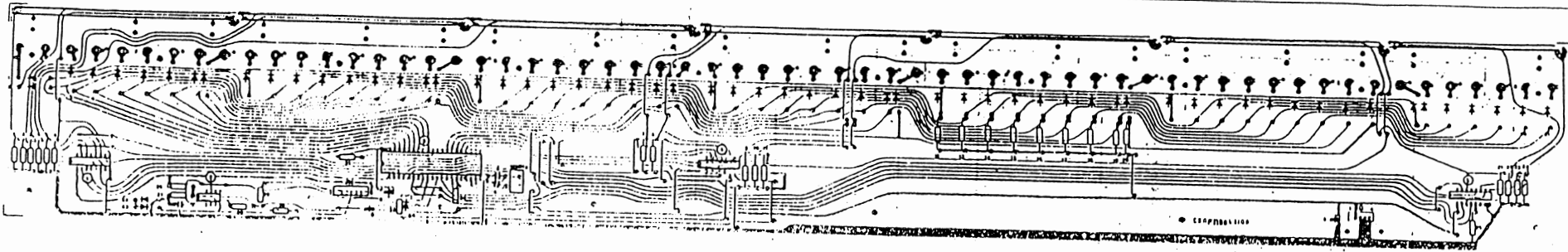
CAUTION: HANDLE BIT-
 HANDLE IT WITH CARE



QUESTO SCHEMA È PROPRIO DELLA CRUMAR E NON PUÒ ESSERE COPIATO, RIPRODOTTO O TRAMANDATO SENZA AUTORIZZAZIONE SCRITTA.

CRUMAR	MODEL: BIT-ONE
DESIGN BY: <i>U.S.A.</i>	REVISED:
DATE: <i>1964</i>	DATE:

2A



QUESTO SCHEMA È PROPRIETÀ PRIVATA E NON PUÒ ESSERE RIPRODOTTO, SPRESO, MISTURATO O FUSO SENZA NOSTRA APPROVAZIONE SCRITTA.

CRUMAR		MODEL: BIT-ONE	
REVISED BY	DATE	REVISED	DATE
1A	2/75	R	