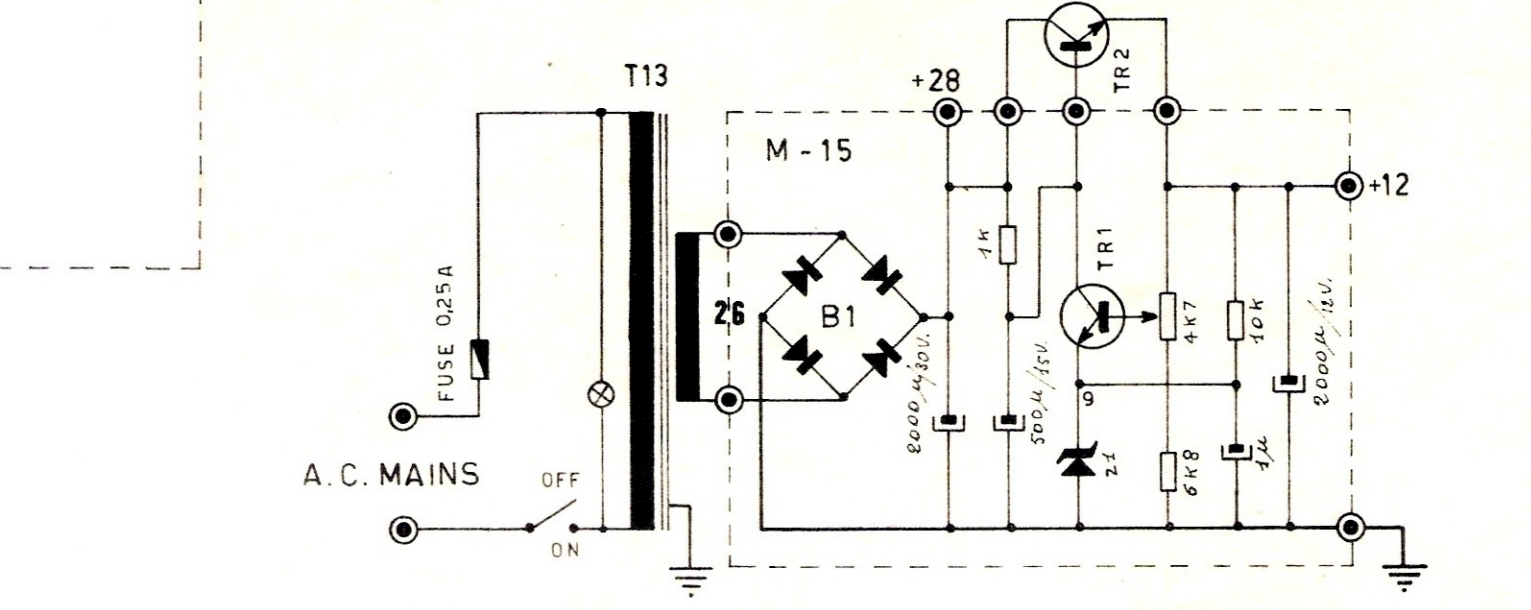
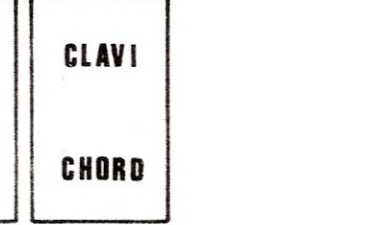
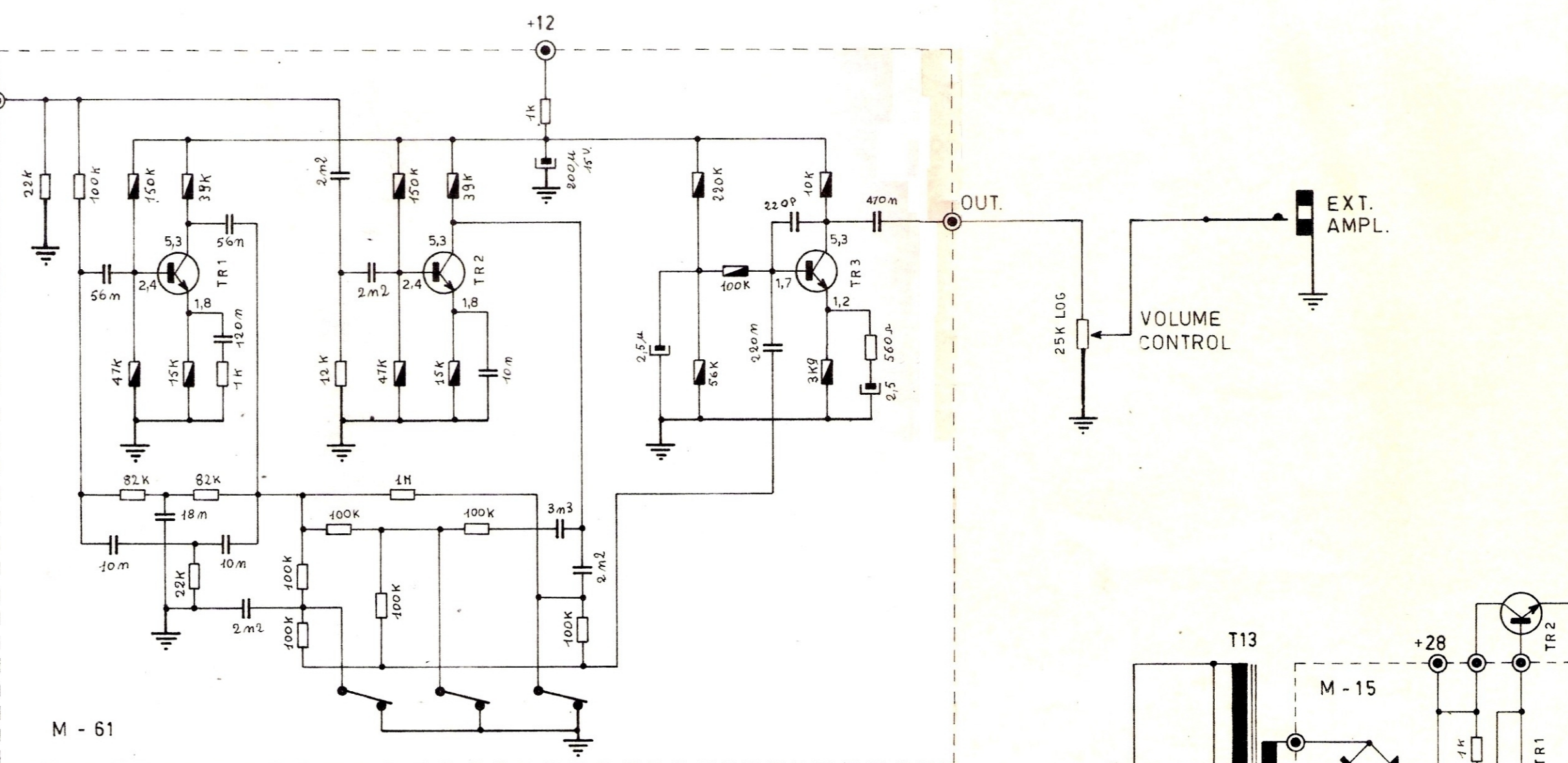
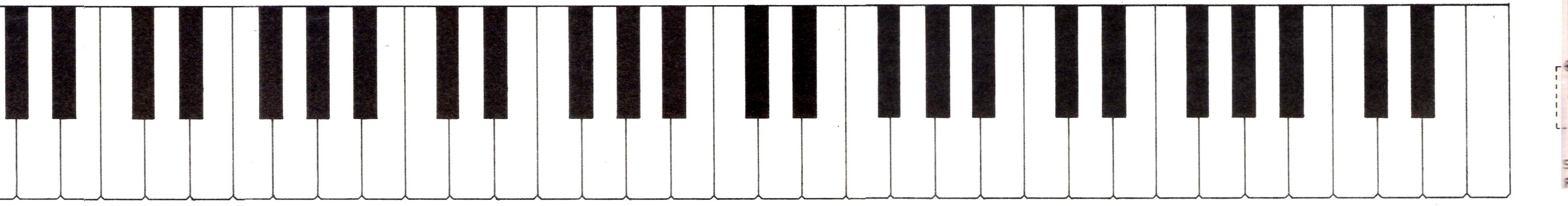
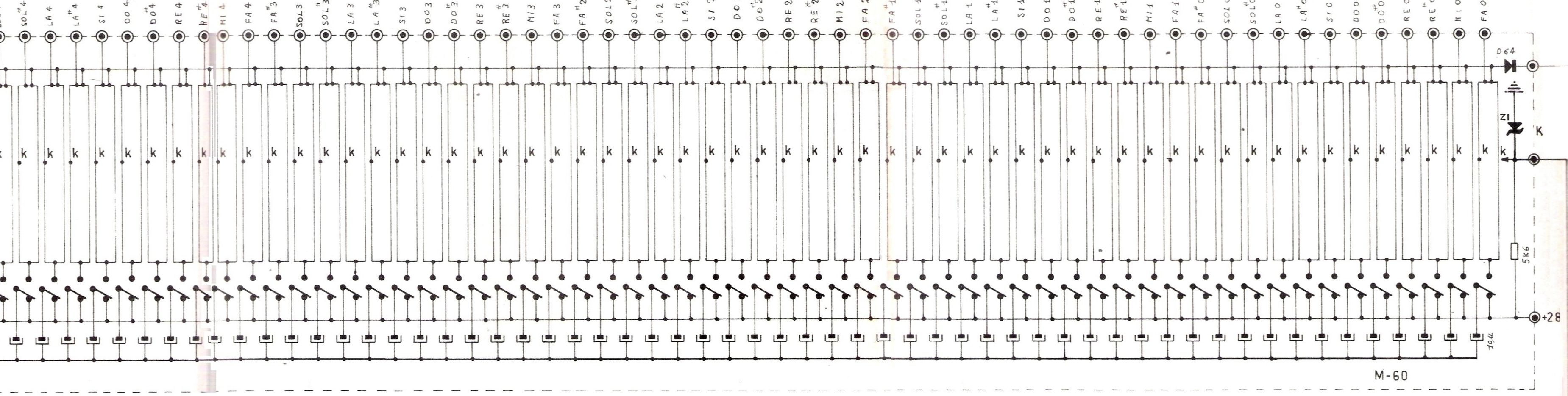
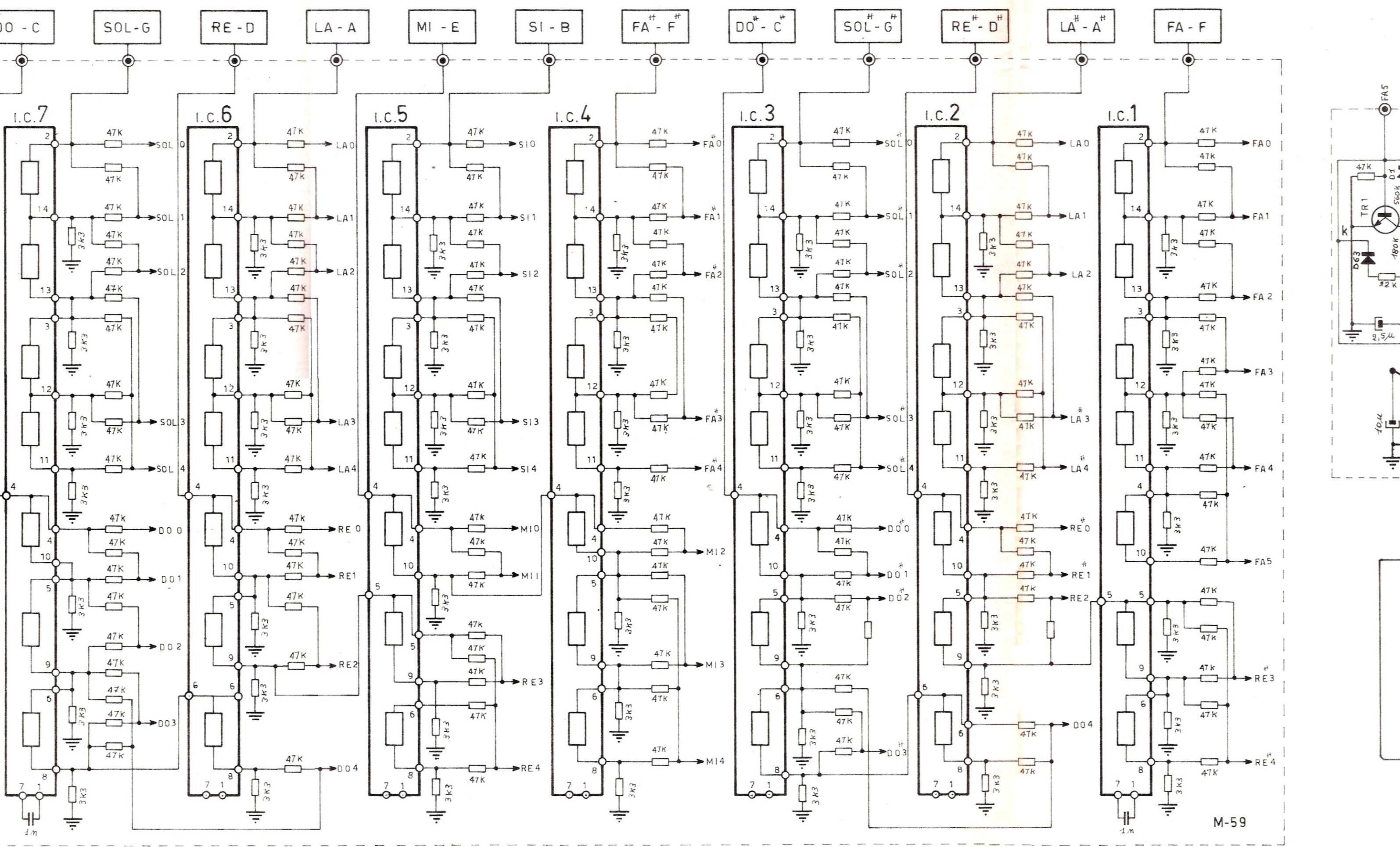


NOTE	FREQ. hz	C1 nf	C2 nf
FA [#] -F [#]	740	47	68
SOL-G	784	47	68
SOL-G	830	47	68
LA-A	880	33	47
LA [#] -A [#]	933	33	47
SI-B	988	33	47
DO-C	1046	22	33
DO [#] -C [#]	1109	22	33
RE-E	1175	22	33
RE [#] -E [#]	1244	15	22
MI-E	1318	15	22
FA-F	1397	15	22



CRUMAR s.a.s.
Castelfidardo ITALIA

N°	DATE	MODIFICATION

model:
 DATE: 9-2-72
 SCALE:
 DES. N°:
 DRAWN BY:
 DESIGNED BY:
 www.servicemanual.altervista.org

TABLE OF EQUIVALENTS		
FP-1A	TR1	BC204 - MISTRA
"	TR2	SFT714 - S.G.S.
M-59	I.C. 1÷7	SAJ110 - I.T.T.
"	I.C. 1÷7	SAJ210 - S.G.S.
M-60	TR1÷61	SFT714 - S.G.S.
"	D1÷126	BA130
"	Z1	ZPD17 ITT
M-61	TR1÷3	BC109 - PHILIPS
M-15	TR1	BC115 - S.G.S.
"	TR2	2N3055 - PHILIPS
"	B1	BS-BY122 - I.R.
"	Z1	1N960B - I.R.