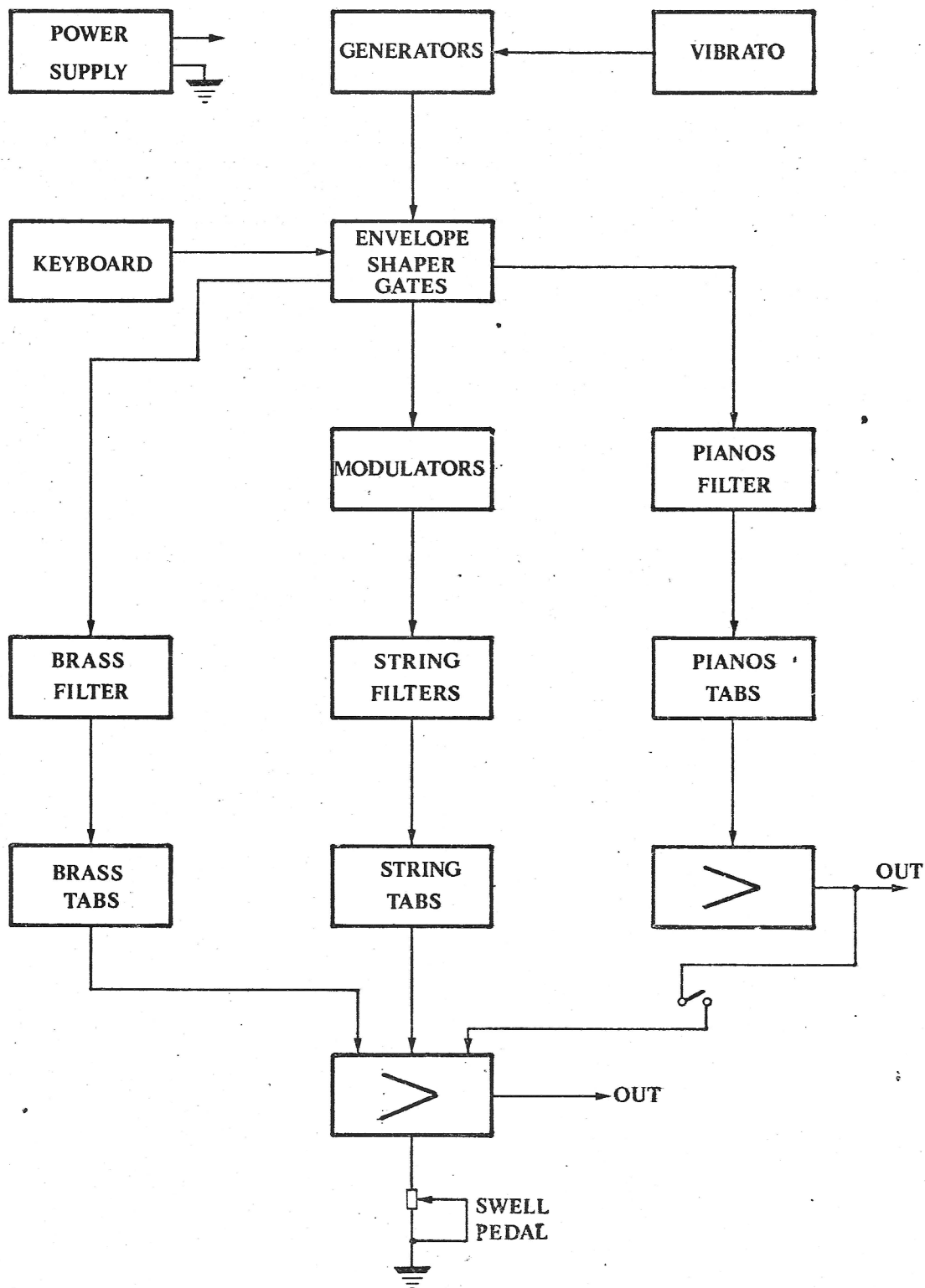


mod. **MULTIMAN**

SCHEMATIC DIAGRAM

CRUMOR
MUSICAL INSTRUMENTS

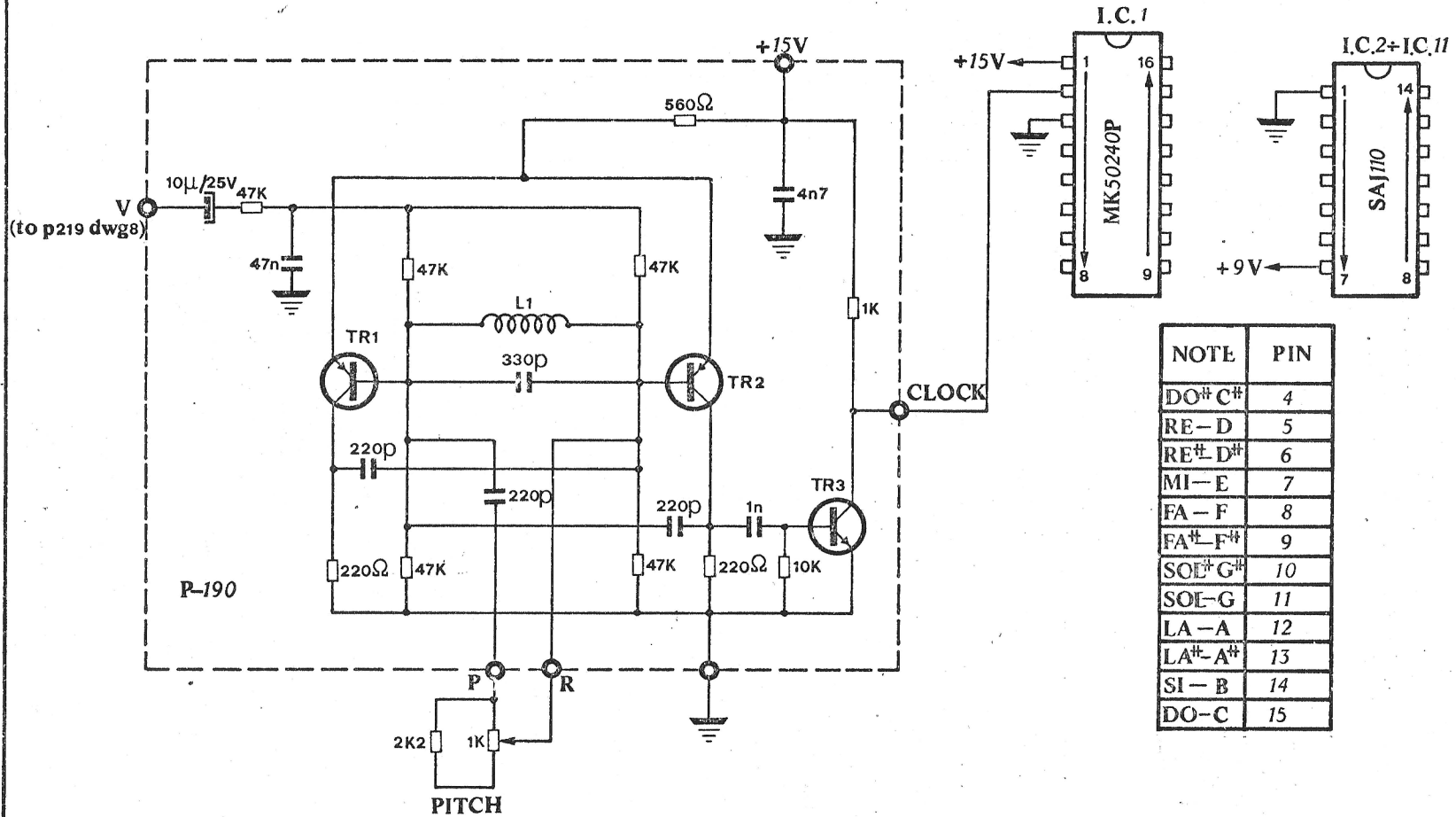


BLOCK DIAGRAM

MODEL MULTIMAN			REVISION			
DATE	DRAWN BY	DESIGNED BY	DATE			
7/4/75	Marjorie G. Anderson	P.				

DWG1

$L1 = 60\mu H$

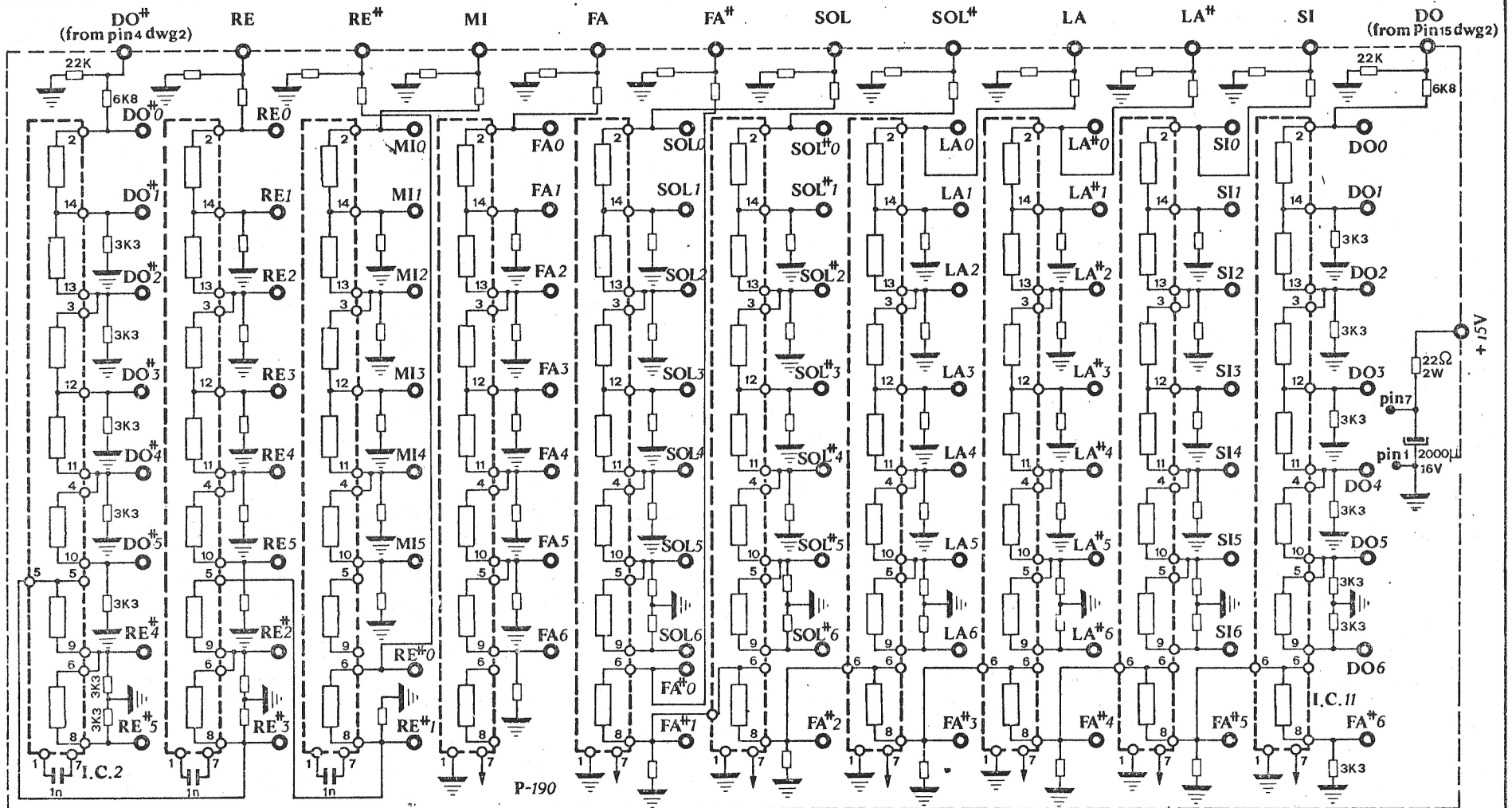


NOTE	PIN
DO#C#	4
RE-D	5
RE#D#	6
MI-E	7
FA-F	8
FA#F#	9
SOE#G#	10
SOE-G	11
LA-A	12
LA#A#	13
SI-B	14
DO-C	15

TONE GENERATOR AND OSCILLATOR

MODEL MULTIMAN			REVISION		
DATE	DRAWN BY	DESIGNED BY	DATE		
7/4/75	<i>[Signature]</i>	<i>[Signature]</i>			

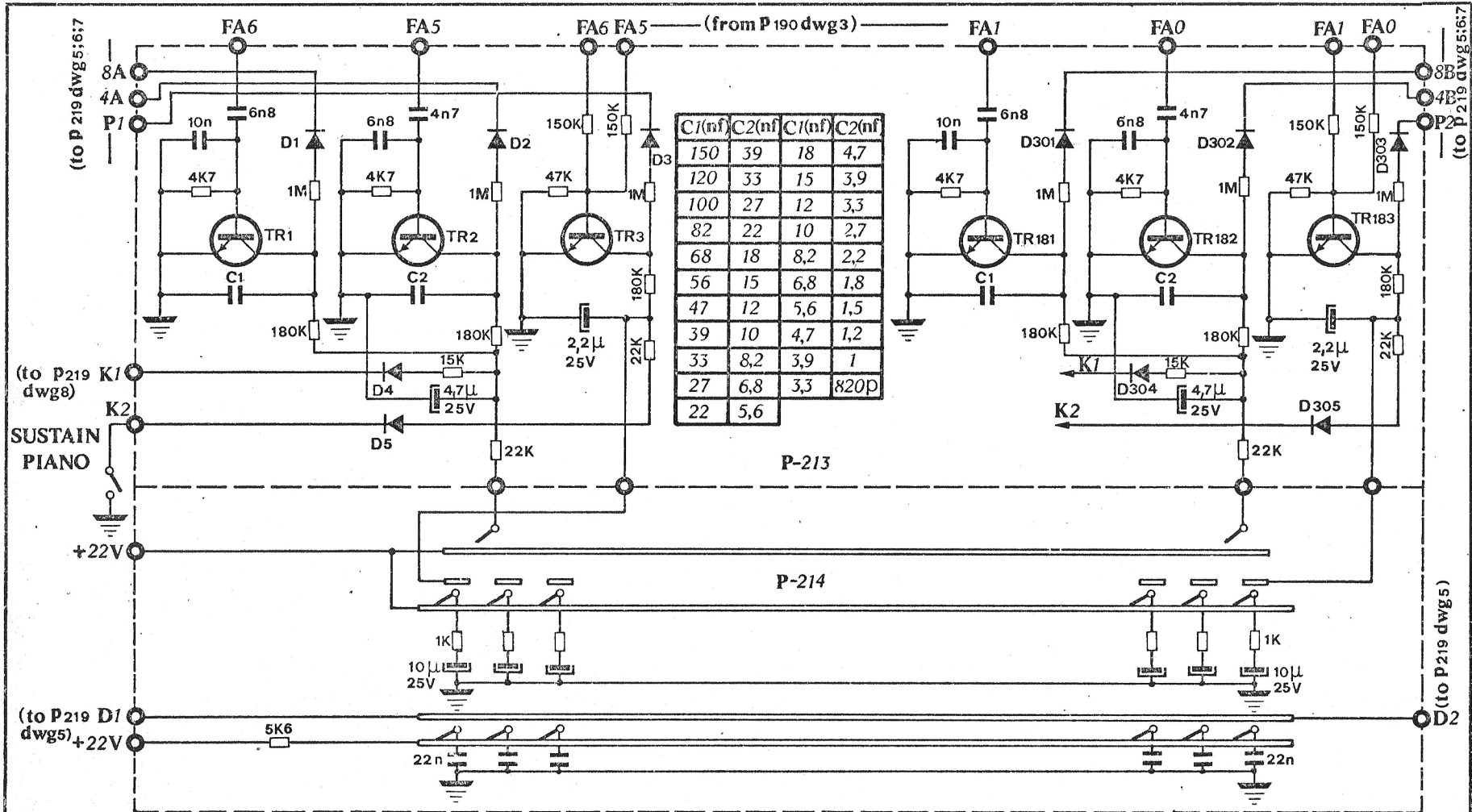
DWG2



DIVIDERS

MODEL MULTIMAN			REVISION		
DATE	DRAWN BY	DESIGNED BY	DATE		
7/4/75	Mosetti G.	Andreas S.			

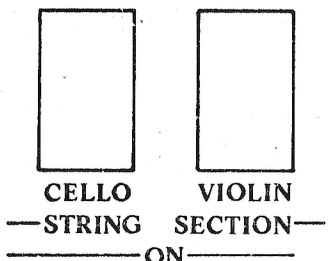
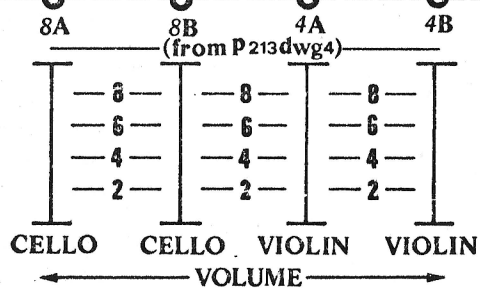
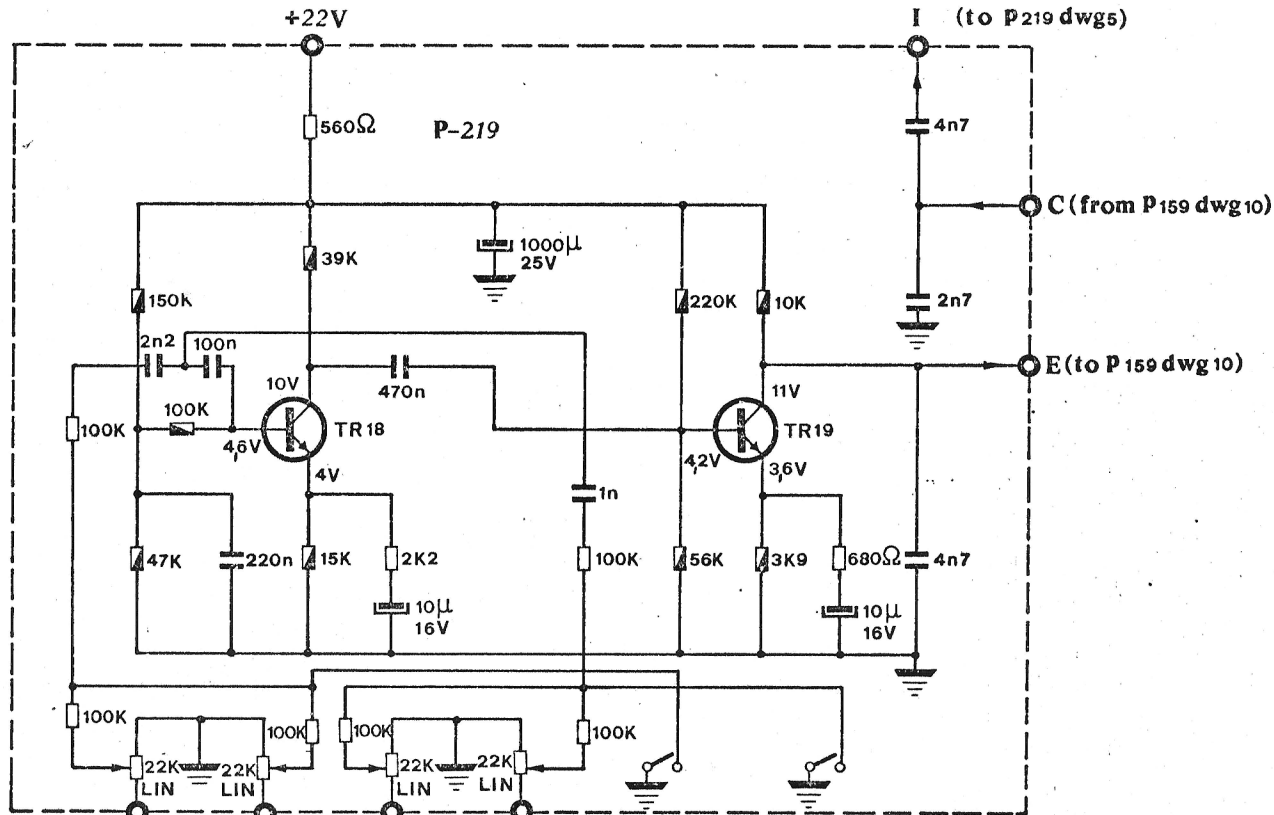
DWG3



GATES AND KEY CONTACT SYSTEM

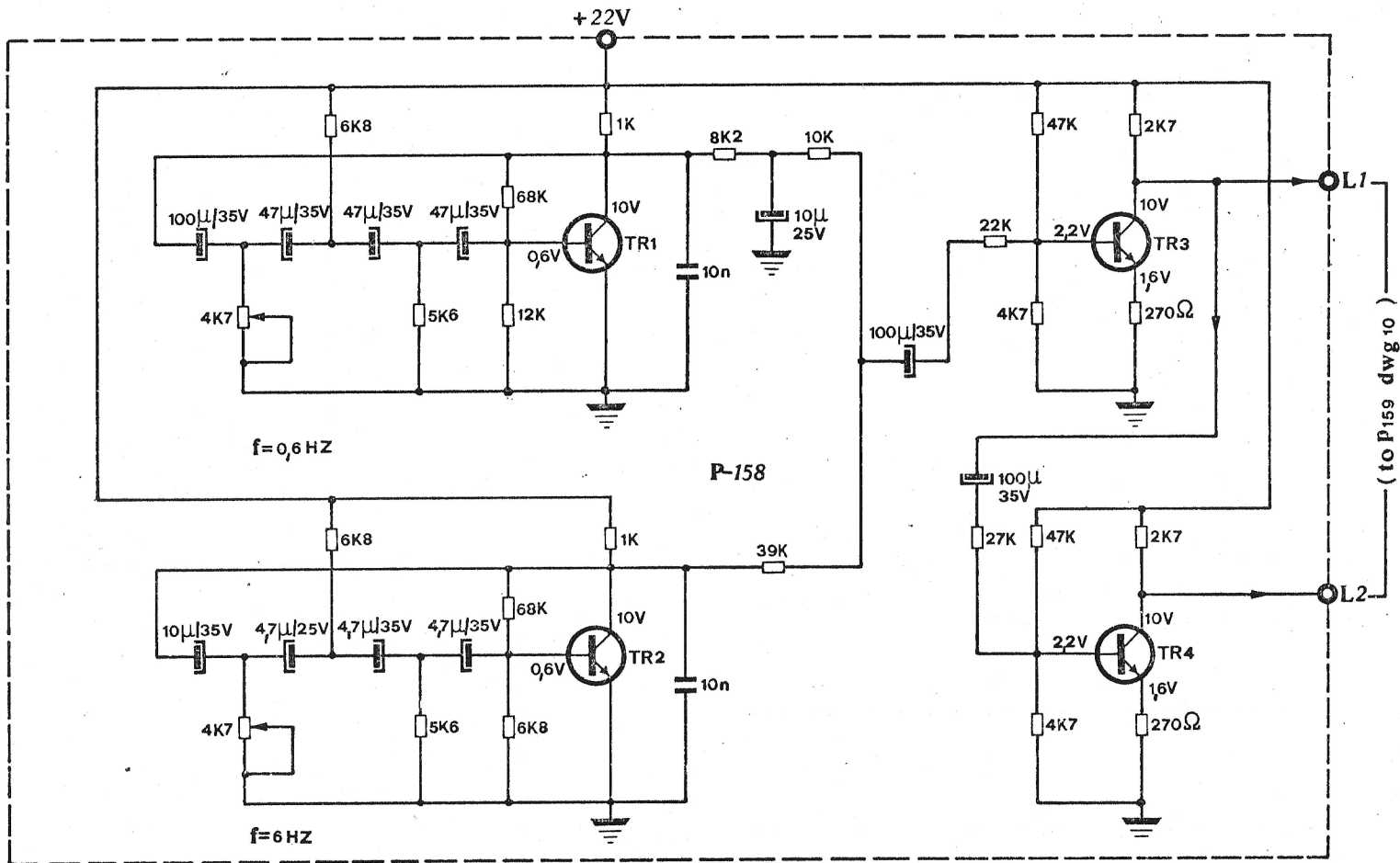
MODEL MULTIMAN			REVISION		
DATE 7/14/75	DRAWN BY Joseph G.	DESIGNED BY Andrew H.	DATE		

DWG4



MODEL MULTIMAN			REVISION		
DATE	DRAWN BY	DESIGNED BY	DATE		
7/4/75	W. P. G.	Andreas P.			

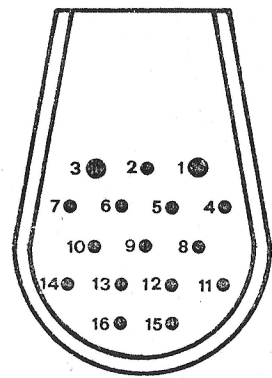
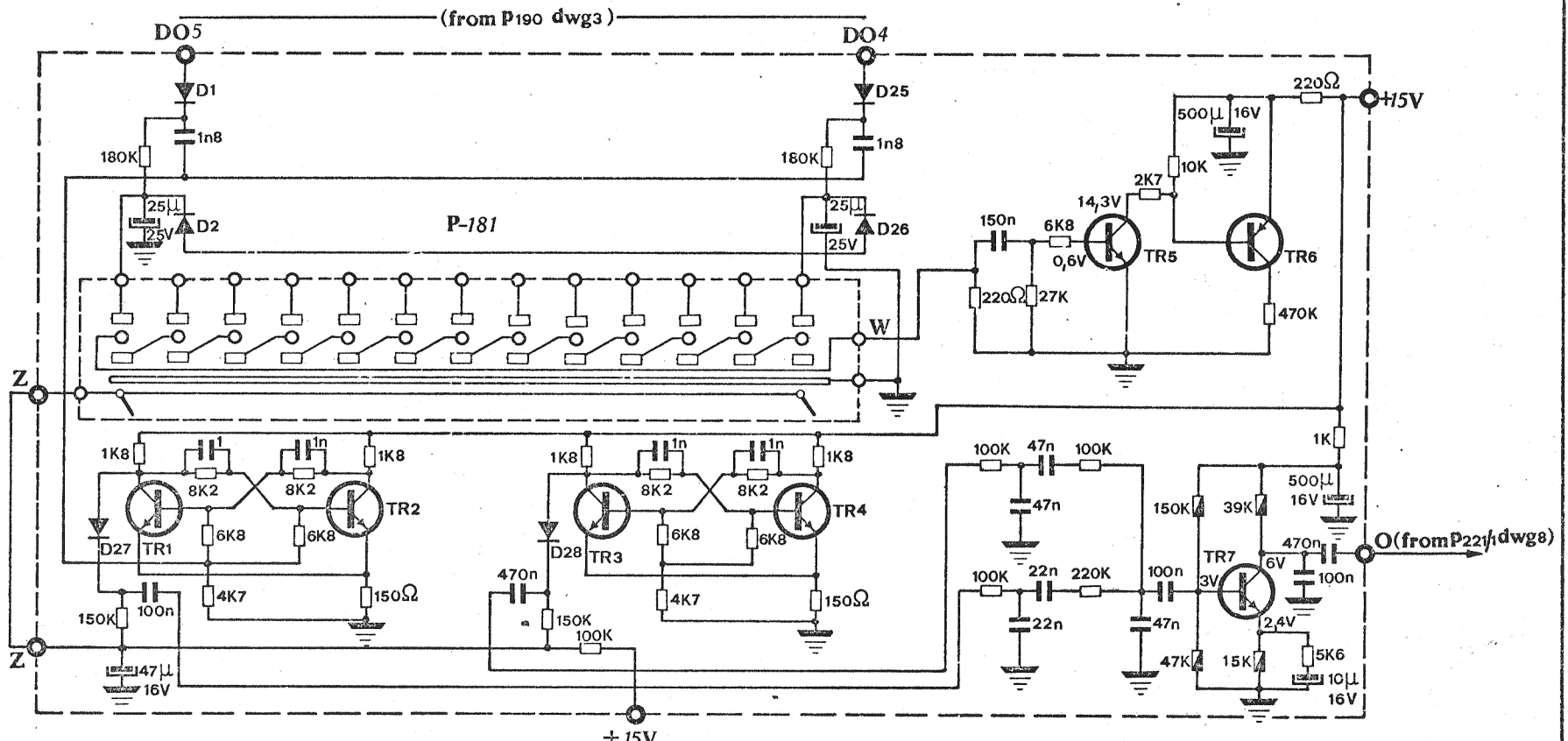
DWG7



OSCILLATORS

MODEL MULTIMAN			REVISION		
DATE	DRAWN BY	DESIGNED BY	DATE		
7/4/75	Chopetta	Ambrósio P.			

DWG9



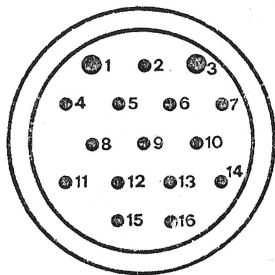
PEDAL BOARD SOCKET

PIN	NOTE	PIN	NOTE
1		9	FA 5
2	O-P181	10	FA#5
3	+ 15V	11	SOL5
4	DO5	12	SOL#5
5	DO#5	13	LA 5
6	RE5	14	LA#5
7	RE#5	15	SI 5
8	MI5	16	DO4

BASS PEDALS

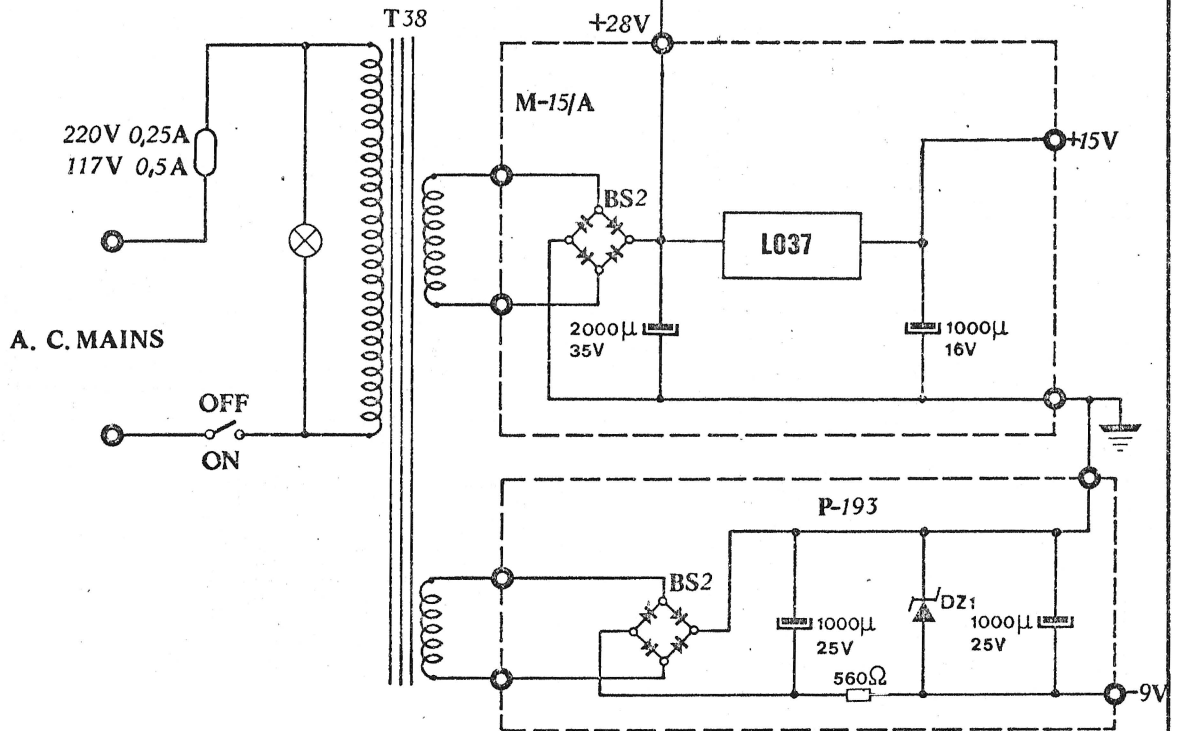
MODEL MULTIMAN			REVISION		
DATE	DRAWN BY	DESIGNED BY	DATE		
7/4/75	Rosetti	Andreas			

PIN	NOTE	PIN	NOTE
1		9	FA 5
2	O P181	10	FA#5
3	+15V	11	SOL5
4	DO5	12	SOL#5
5	DO#5	13	LA 5
6	RE5	14	LA#5
7	RE#5	15	SL 5
8	MI5	16	DO4



PEDAL BOARD SOCKET

POWER SUPPLY



MODEL MULTIMAN			REVISION		
DATE	DRAWN BY	DESIGNED BY	DATE		
7/4/75	M. G. P.	A. P.			

TABLE OF EQUIVALENTS

BOARD	REFERENCE	TYPE N°
P-190	TR1-TR2	BC204 MISTRAL
	TR3	BC209B PHILIPS
	I.C.1	MX50240P MOSTEK
	I.C.2÷I.C.11	SAJ110 I. T. T.
P-213	TR1 ÷ TR193	SFT774 MISTRAL
	D1 ÷ D305	BA130 FAIRCHILD
P-219	TR1 ÷ TR24	BC209B
	TR25	BC204
	D1 ÷ D4	BA130
P-158	TR1 ÷ TR2	BC209C PHILIPS
	TR3 ÷ TR4	BC209B
P-159	TR1 ÷ TR3	BC204
	TR4 ÷ TR5	BC209B
	D1 - D5	FDN900 FAIRCHILD
P-181	I.C.1	TCA350 I. T. T.
	TR1 ÷ TR5	SFT774
	TR6	BC143 S. G. S.
	TR7	BC209B
M-15/A	D1 ÷ D28	BA130
	TR1	BC115 S. G. S.
	TR2	2N3055 MISTRAL
P-193	JZ1	1N960B I. R.
	DZ1	1N960C
	DZ2	ZY22 I. T. T.
P 221/1	TR1	BC209B

NOTES: 1) ALL RESISTOR MARKED  MUST BE CARBON FILM

2) ALL VOLTAGES ARE MEASURED WITH VOLTMETER 40'000Ω/V

MODEL MULTIMAN			REVISION		
DATE	DRAWN BY	DESIGNED BY	DATE		
7/4/75	Joseph S. Andrian P.				