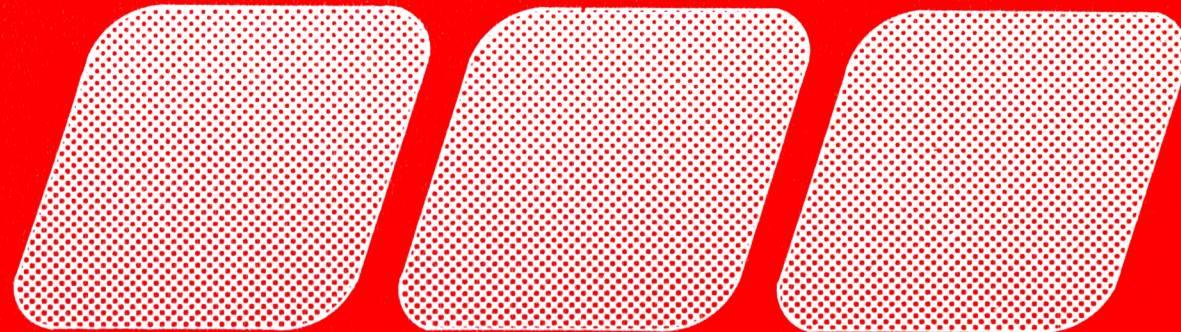


**SCHEMATIC
DIAGRAM**

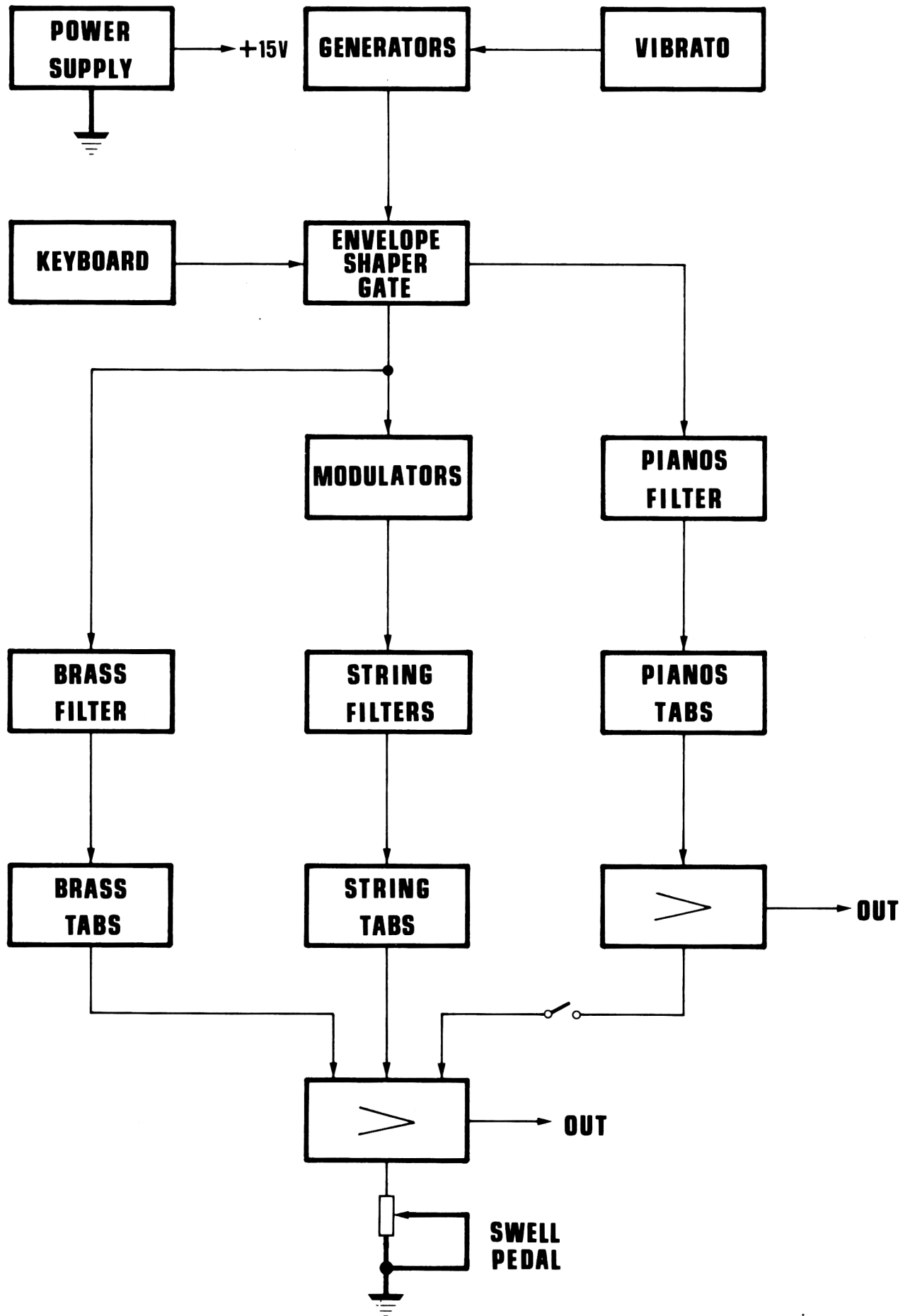
CRUMAR[®]
Musical Instruments



mod.

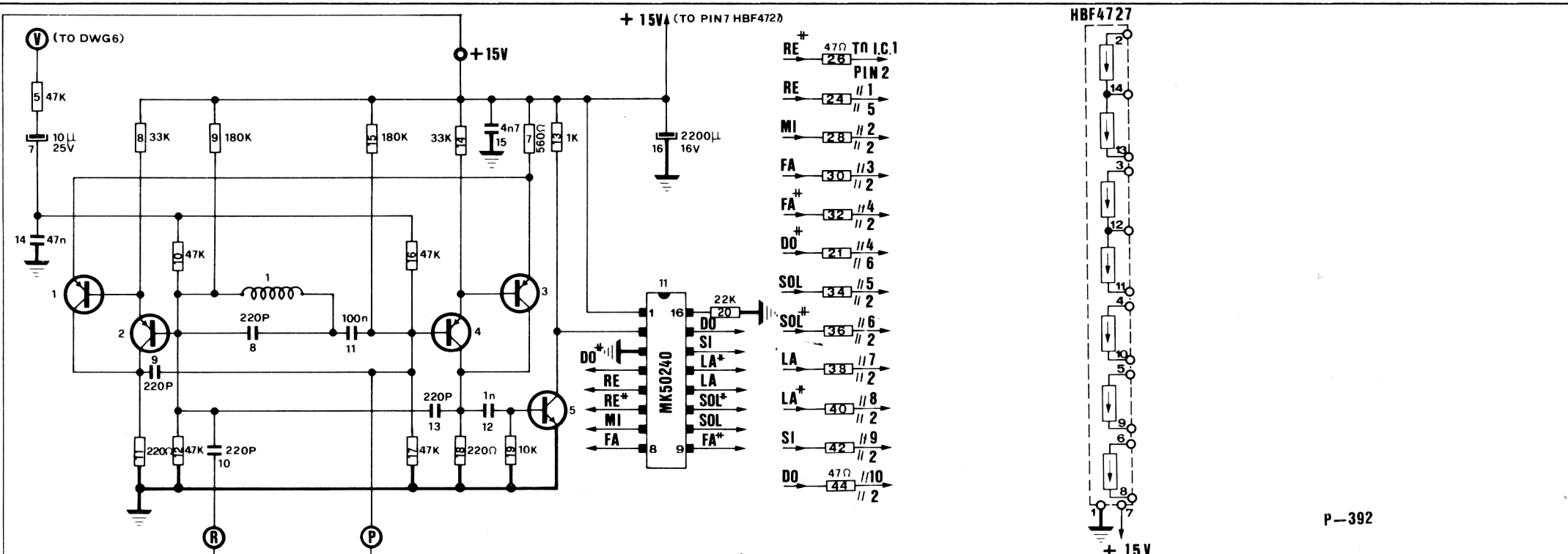
Multiman

~S~

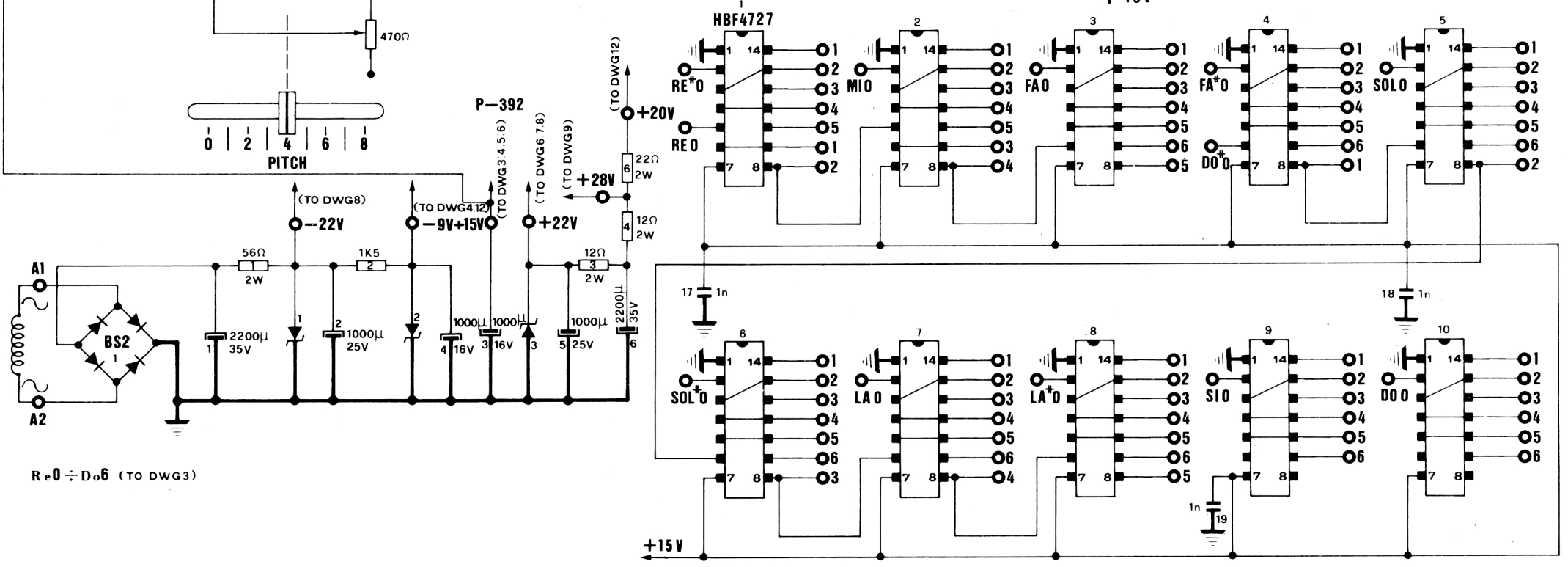


MODEL			REVISION		
DATE	DRAWN BY	DESIGNED BY	DATE		
	G. Lopez	R. Brain			

DWG1

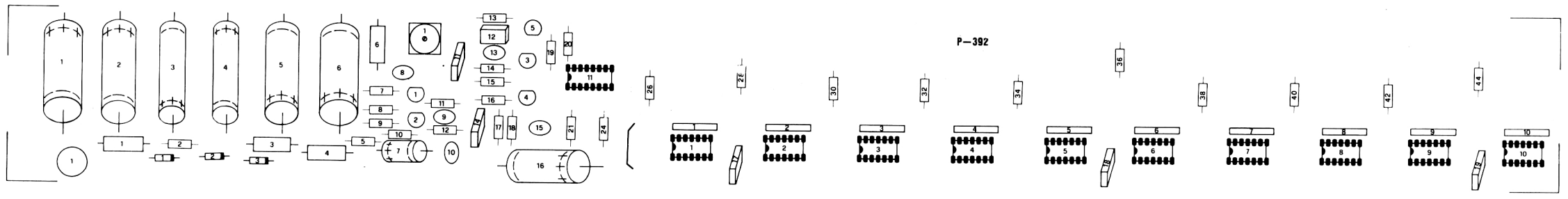


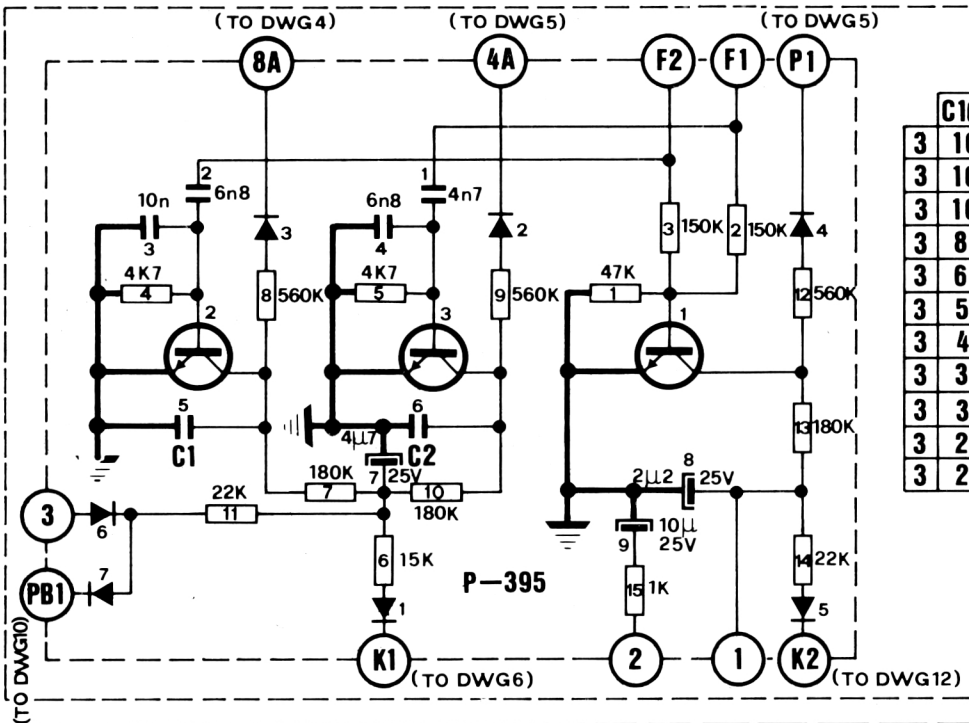
P-392



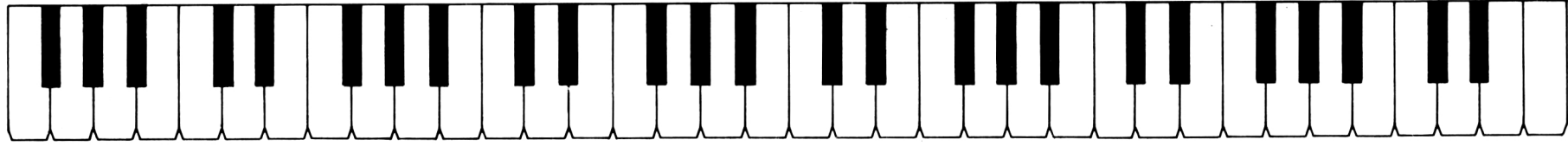
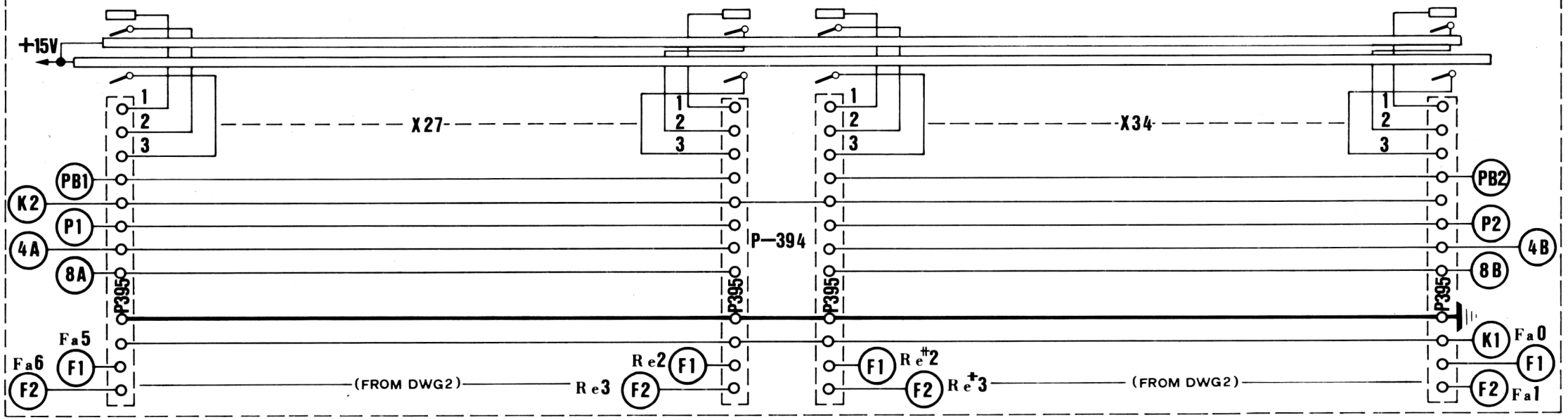
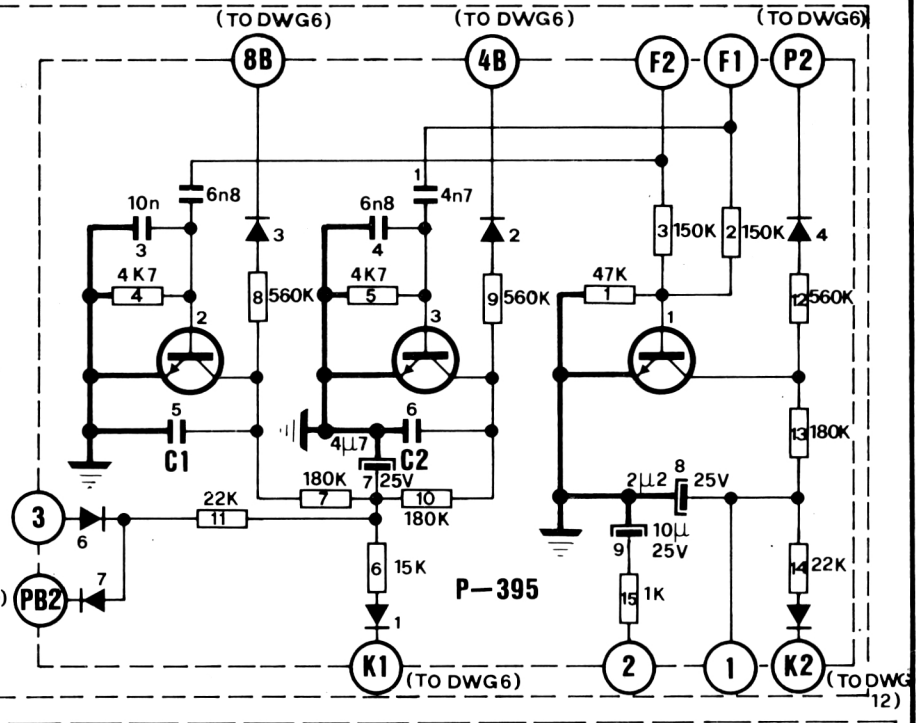
MODEL			REVISION	
DATE	DRAWN BY	DESIGNED BY	DATE	
	G. Scott	R. Brani		

DWG2

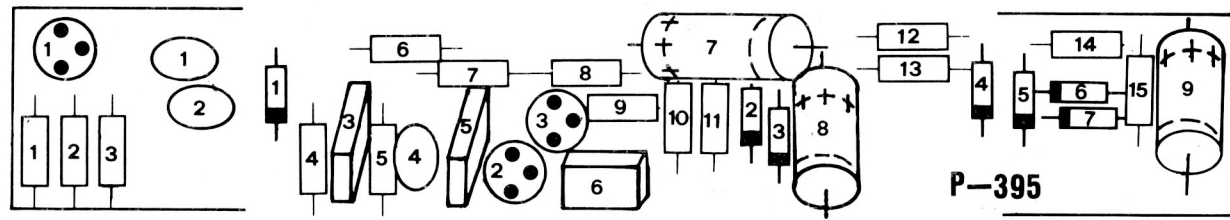


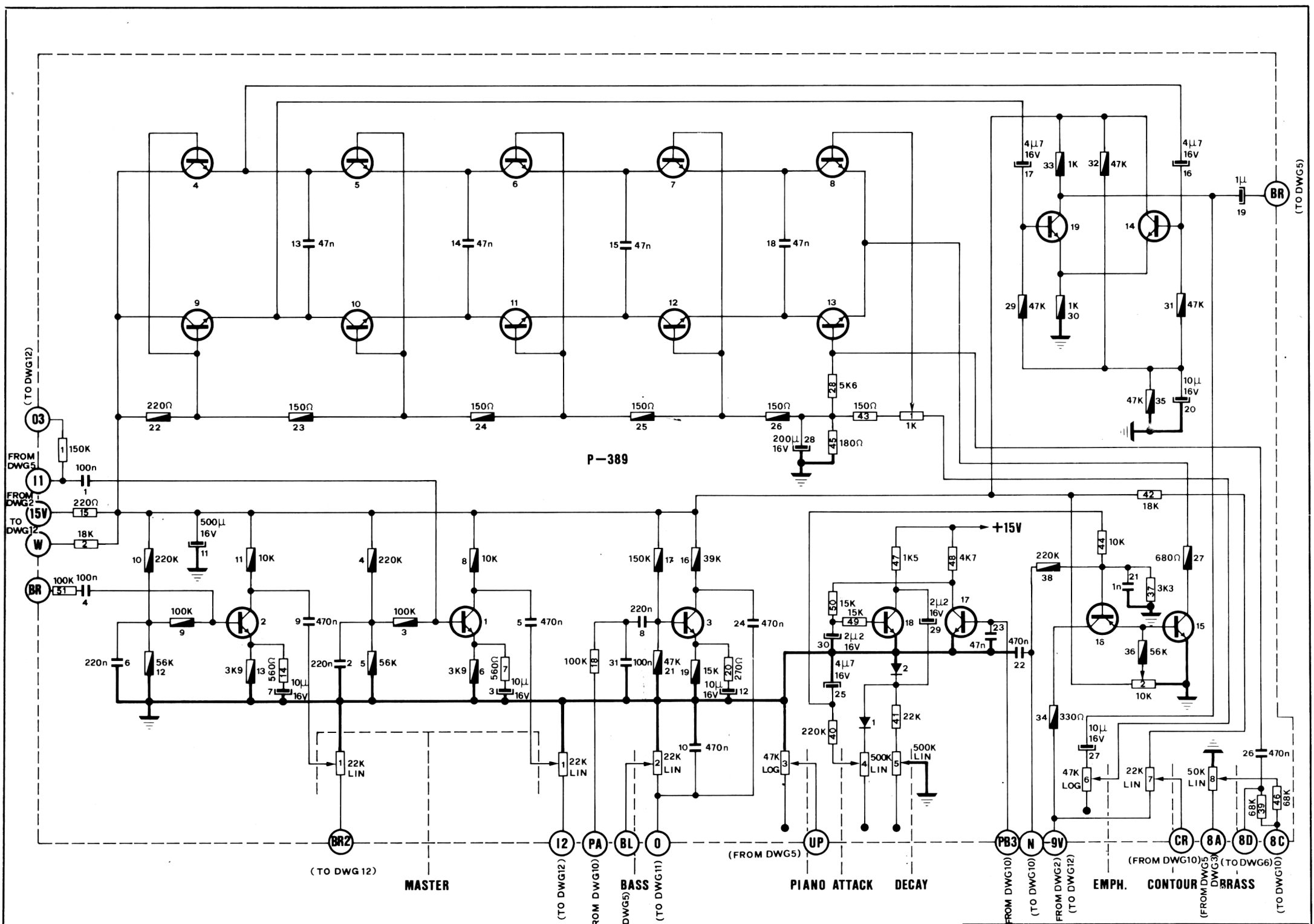


	C1(mf)	C2(mf)	C1(mf)	C2(mf)	
3	100	39	18	4.7	3
3	100	33	15	3.9	3
3	100	27	12	3.3	3
3	82	22	10	2.7	3
3	68	18	8.2	2.2	3
3	56	15	6.8	1.8	3
3	47	12	5.6	1.5	3
3	39	10	4.7	1.2	3
3	33	8.2	3.9	1	3
3	27	6.8	3.3	820P	1
3	22	5.6			



MODEL
 DATE
 DRAWN BY *Chas. G. R. Brown*
 DESIGNED BY

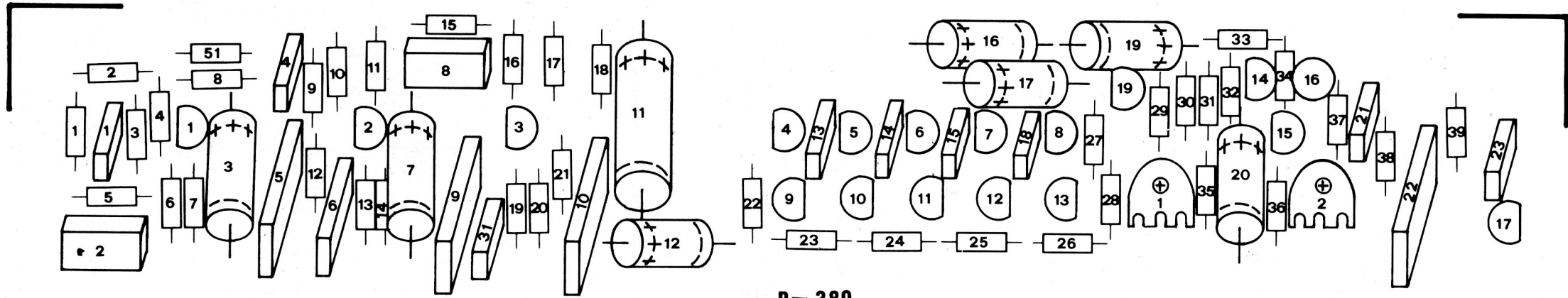




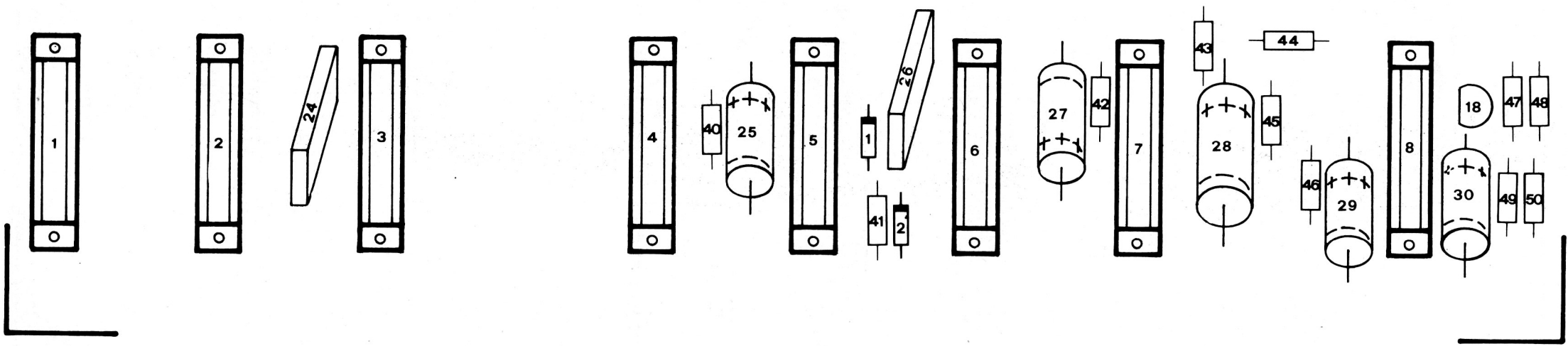
P-389

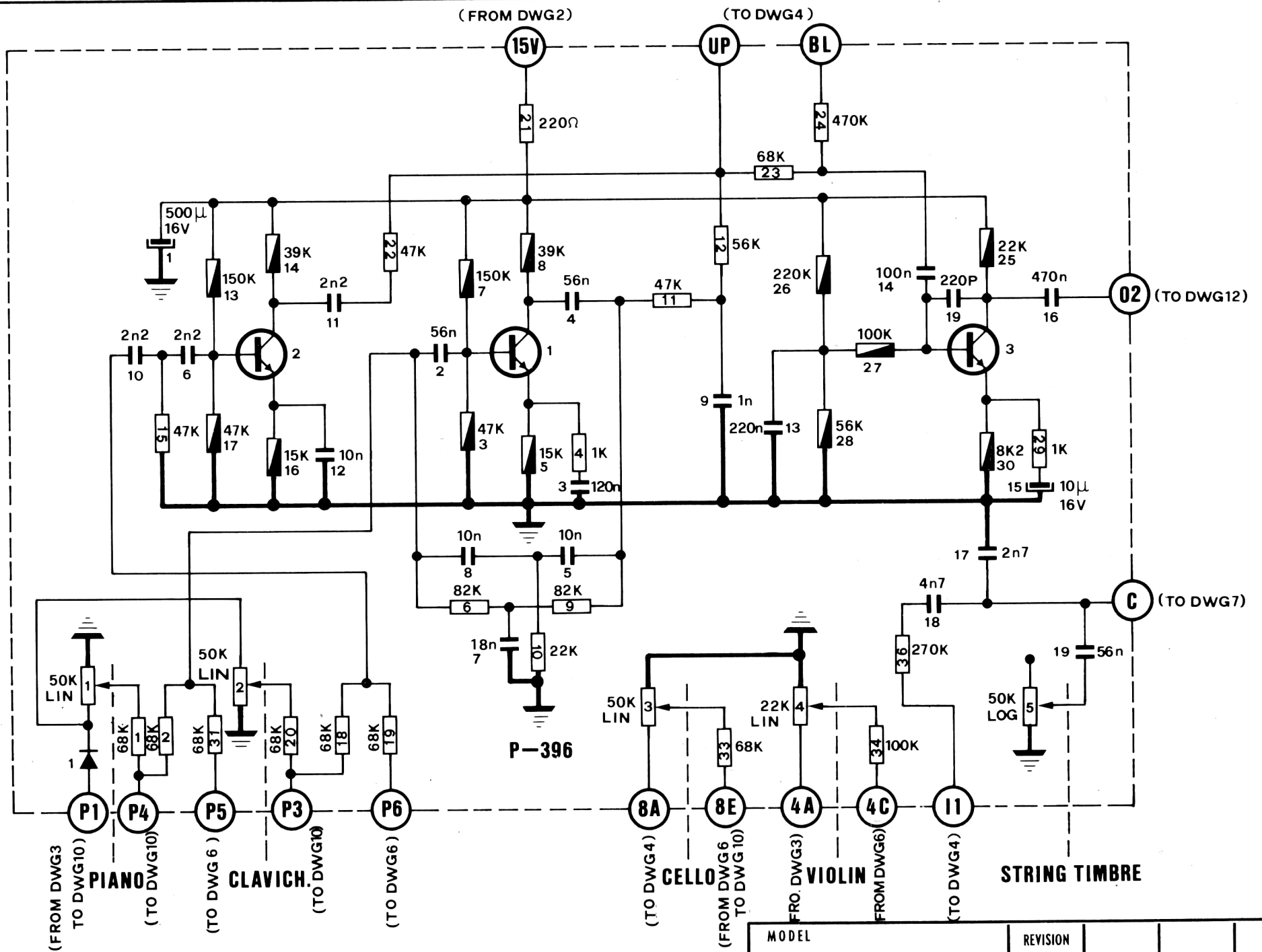
MODEL	REVISION
DATE	DATE
DRAWN BY	DESIGNED BY
<i>G. N. Smith</i>	<i>R. Bran</i>

DWG4



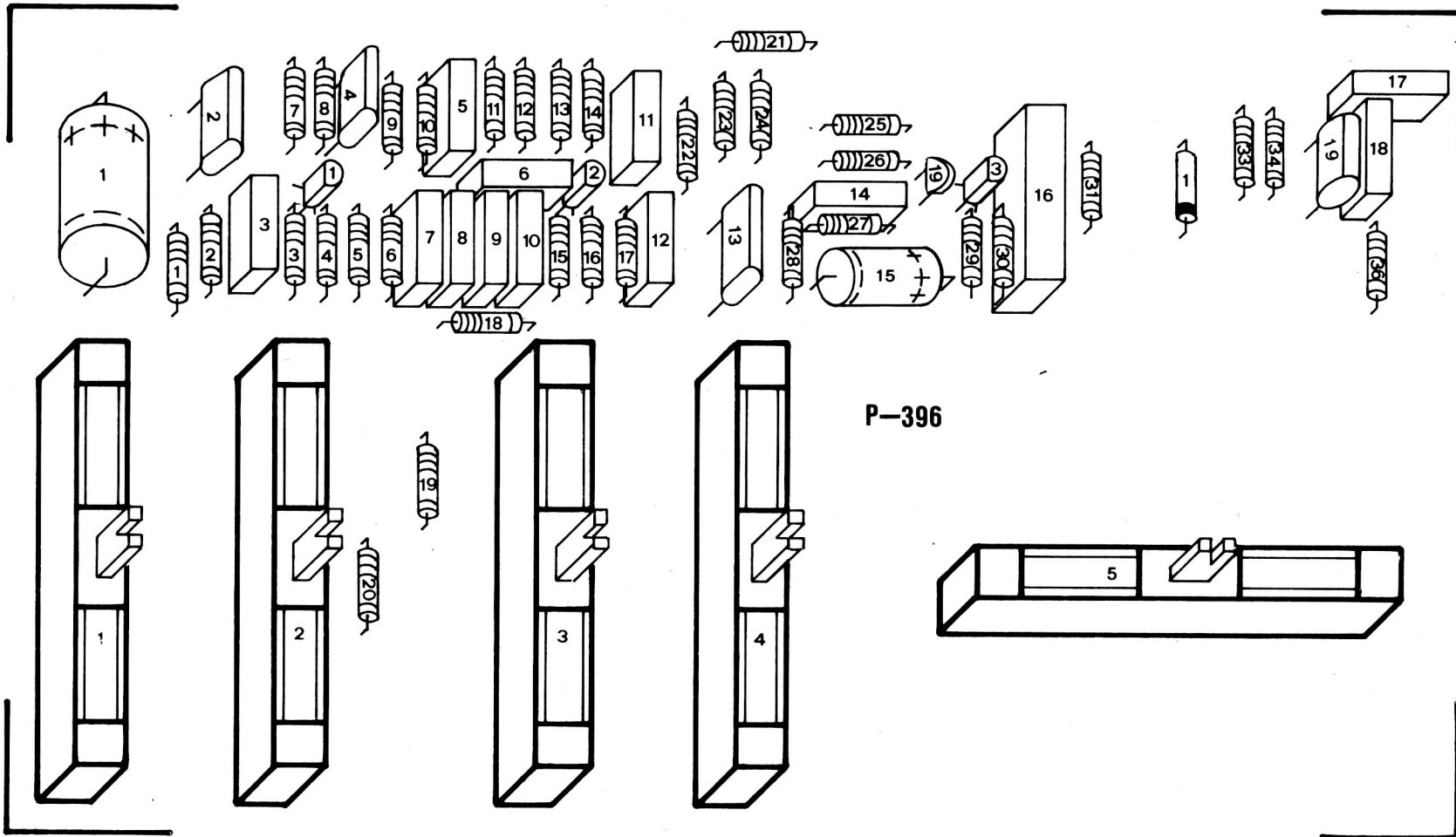
P-389

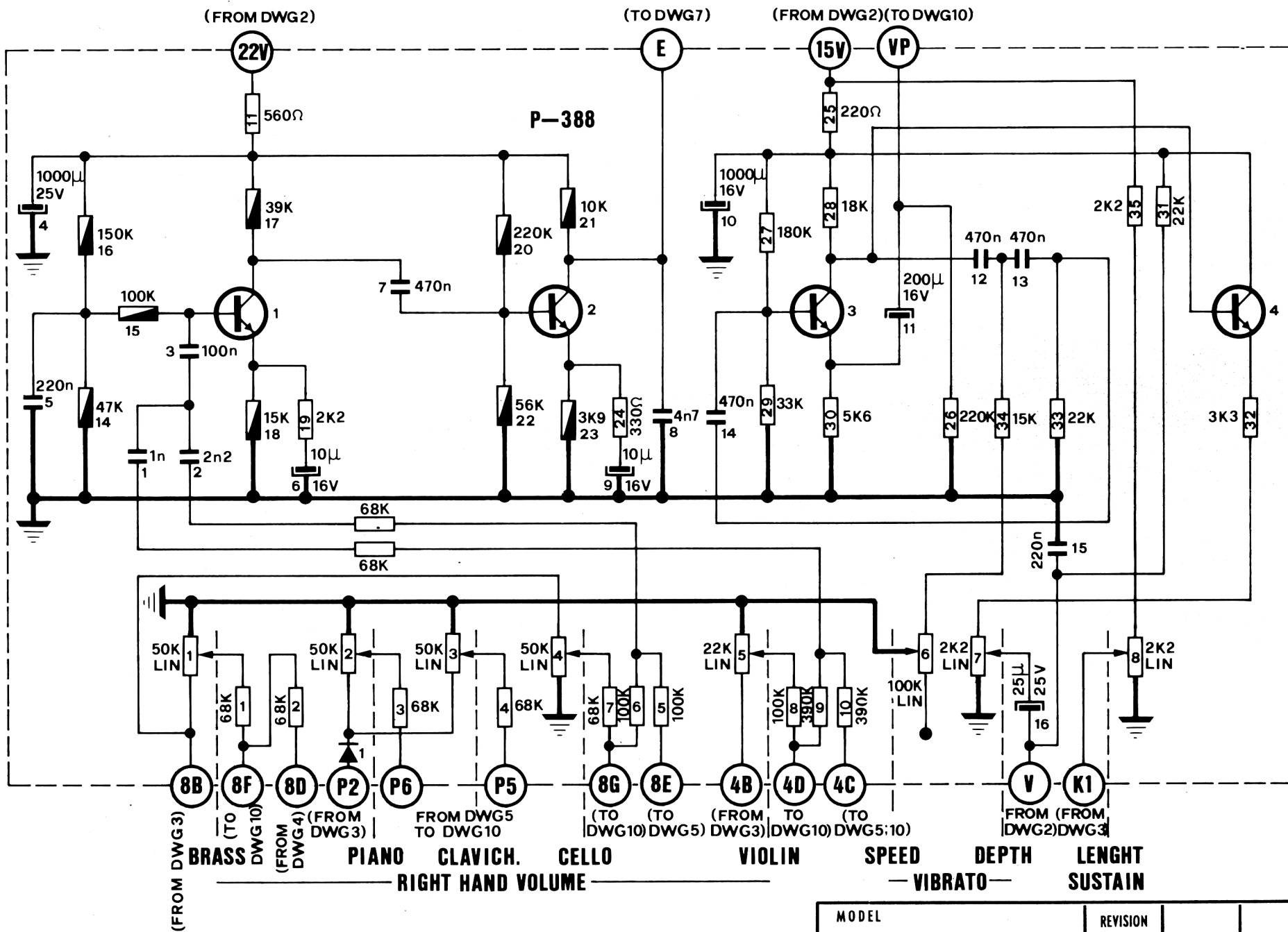




MODEL		REVISION	
DATE	DRAWN BY	DESIGNED BY	DATE
	<i>R. Bran</i>	<i>R. Bran</i>	

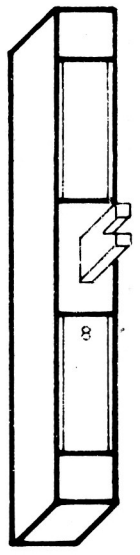
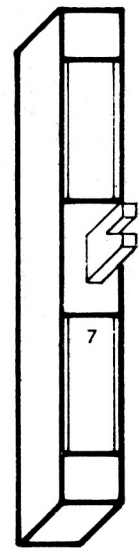
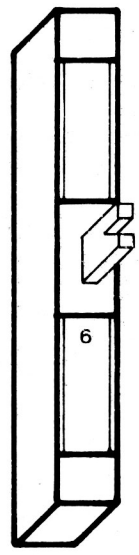
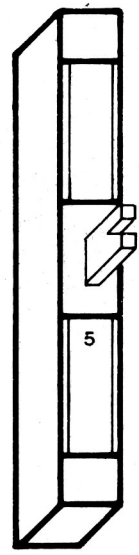
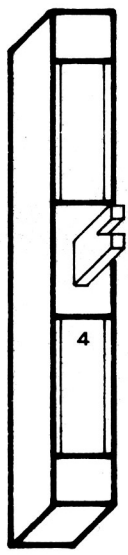
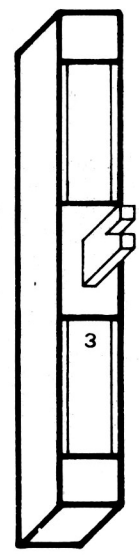
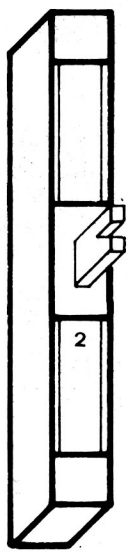
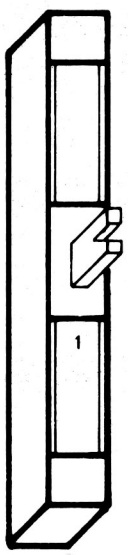
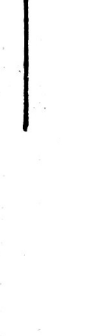
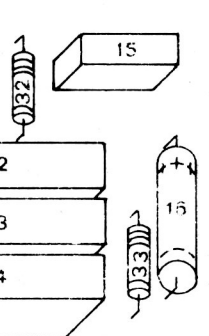
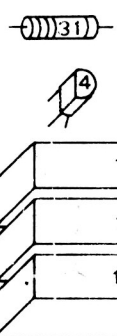
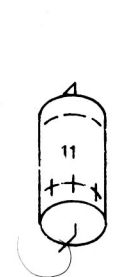
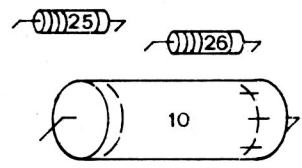
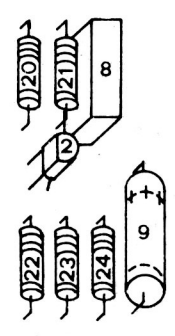
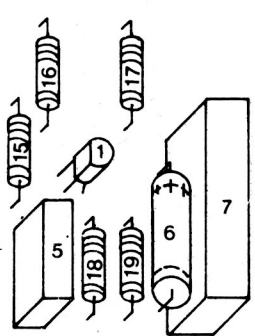
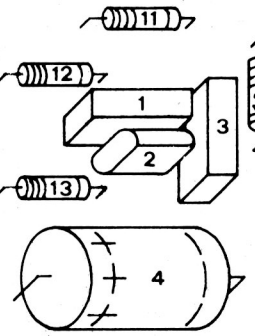
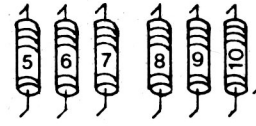
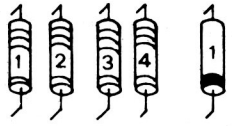
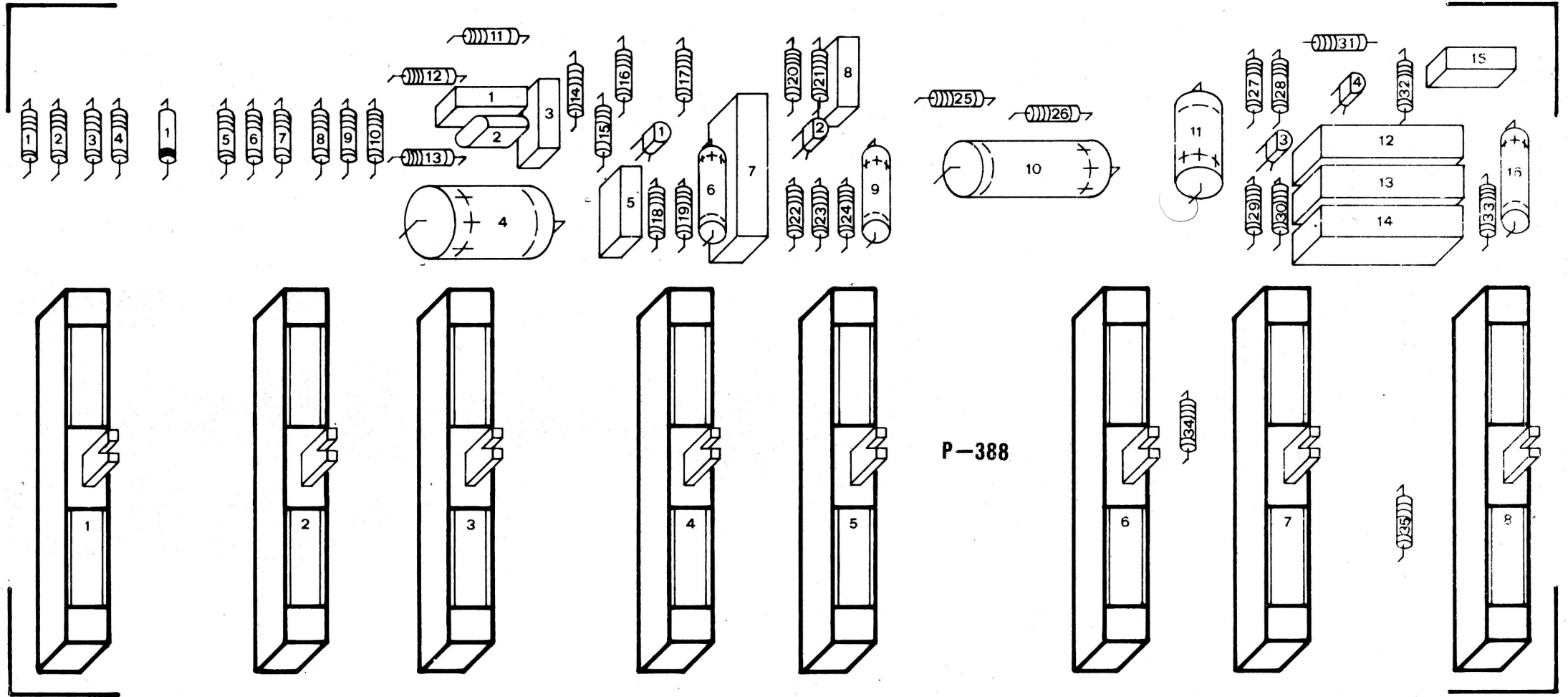
DWG5

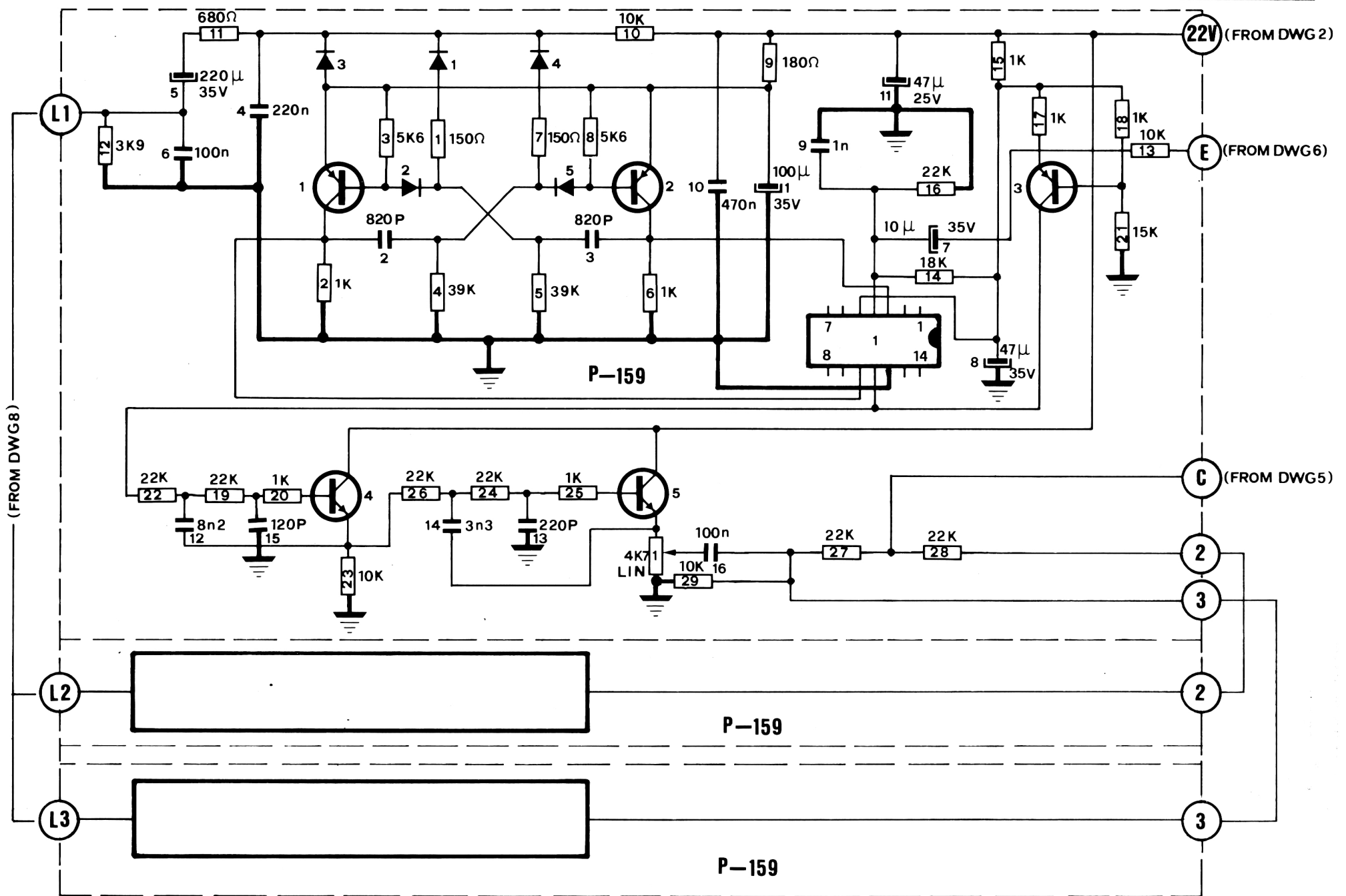




MODEL			REVISION		
DATE	DRAWN BY	DESIGNED BY	DATE		
	<i>E. Robert</i>	<i>R. Bran</i>			

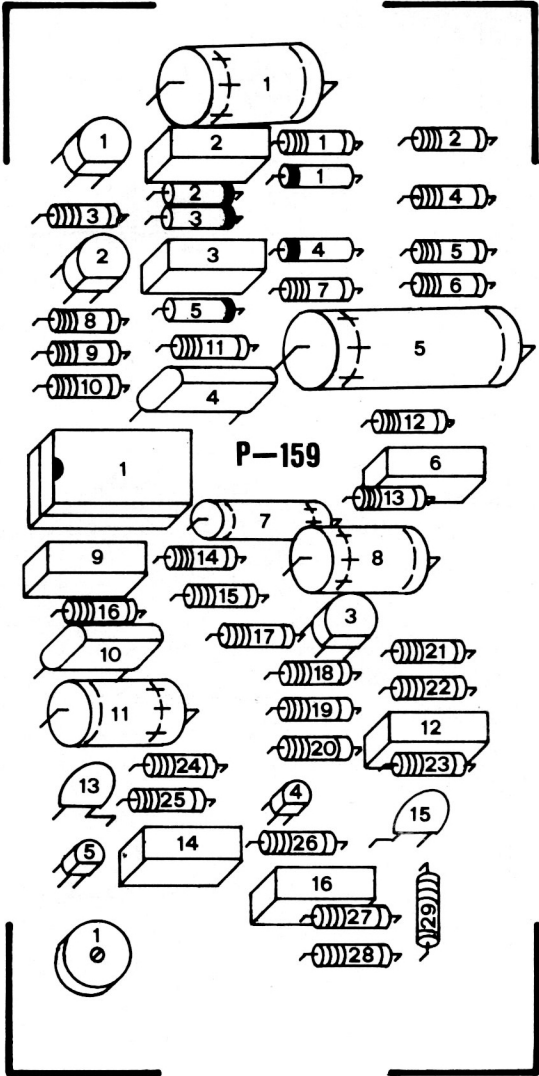
DWG6

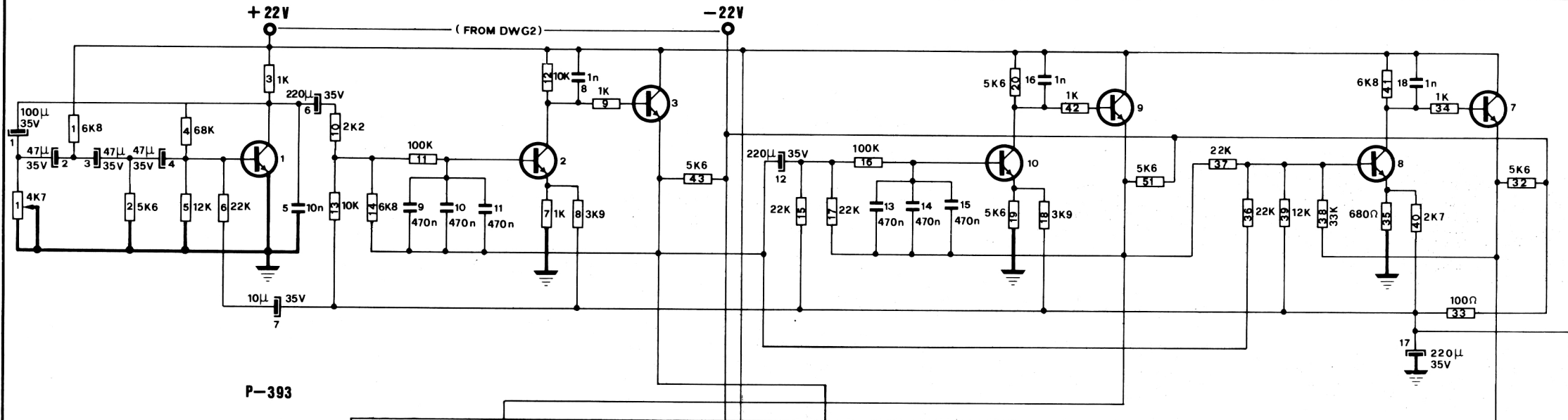




MODEL		REVISION		
DATE	DRAWN BY	DESIGNED BY	DATE	
	G. Nogel	R. Bran		

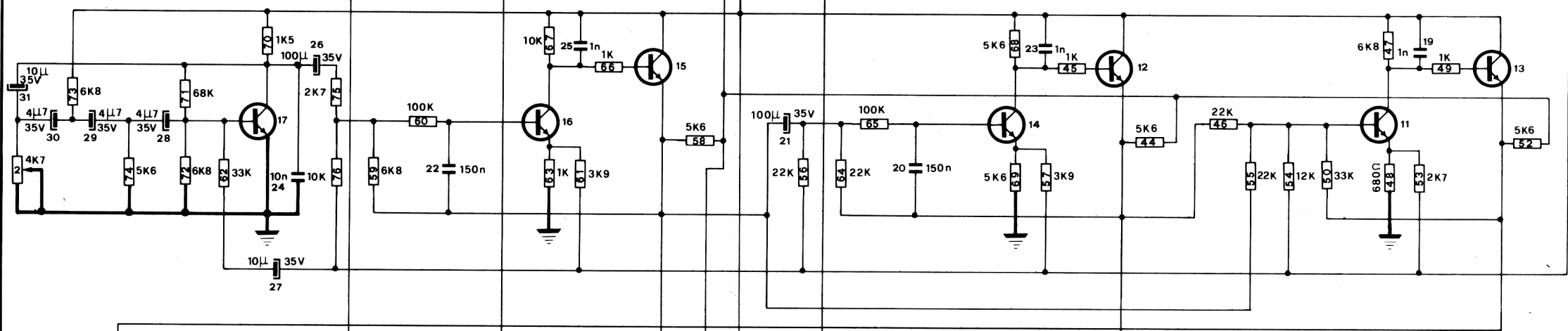
DWG 7





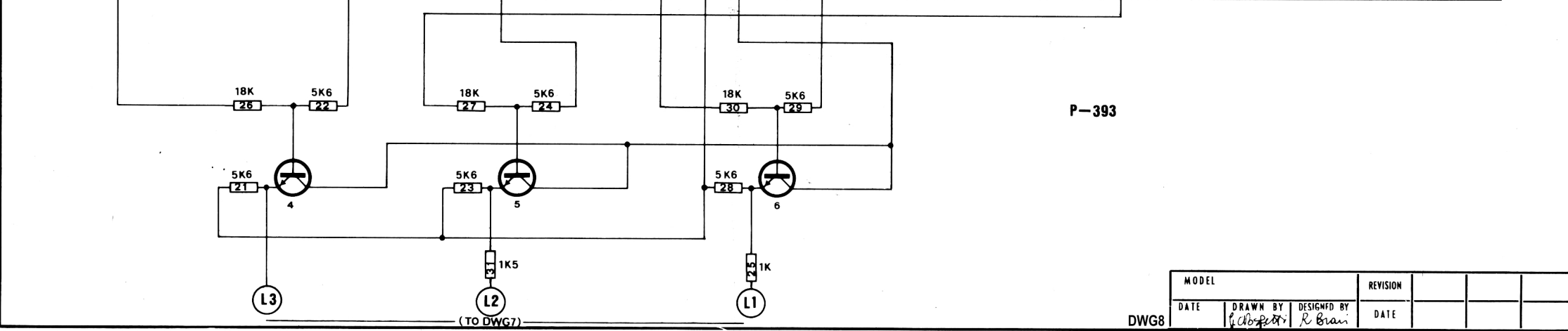
P-393

P-393



P-393

P-393



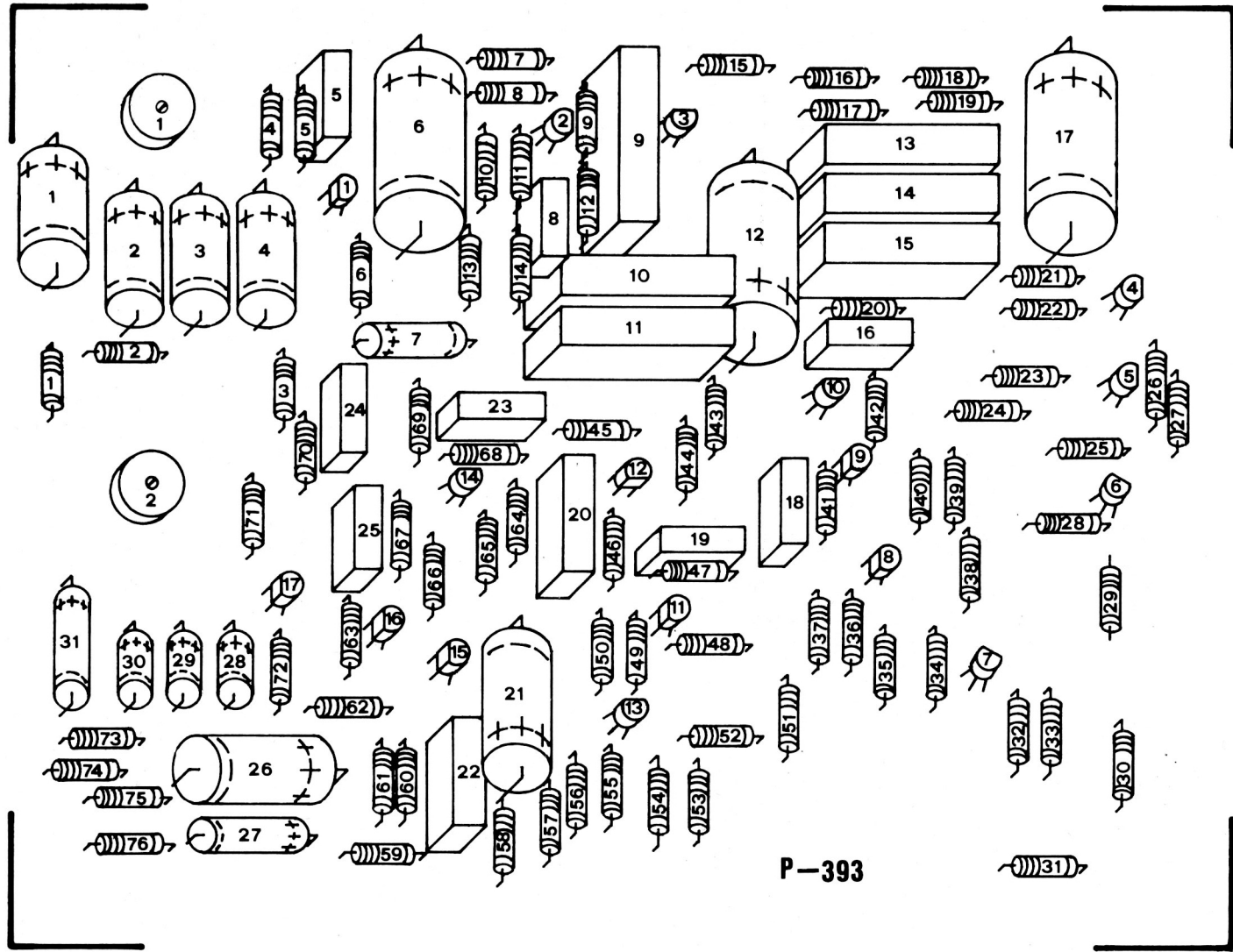
L3

L2

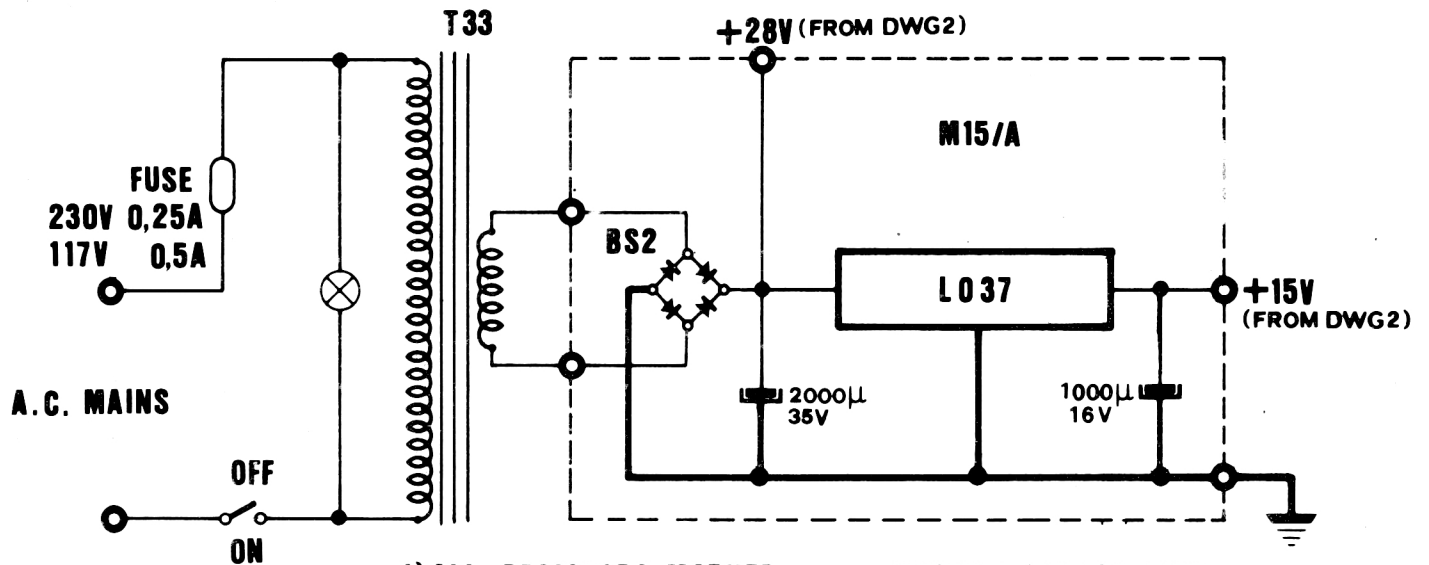
L1


MODEL			REVISION		
DATE	DRAWN BY	DESIGNED BY	DATE		
	<i>Robert</i>	<i>R. Bran</i>			

DWG8



P-393



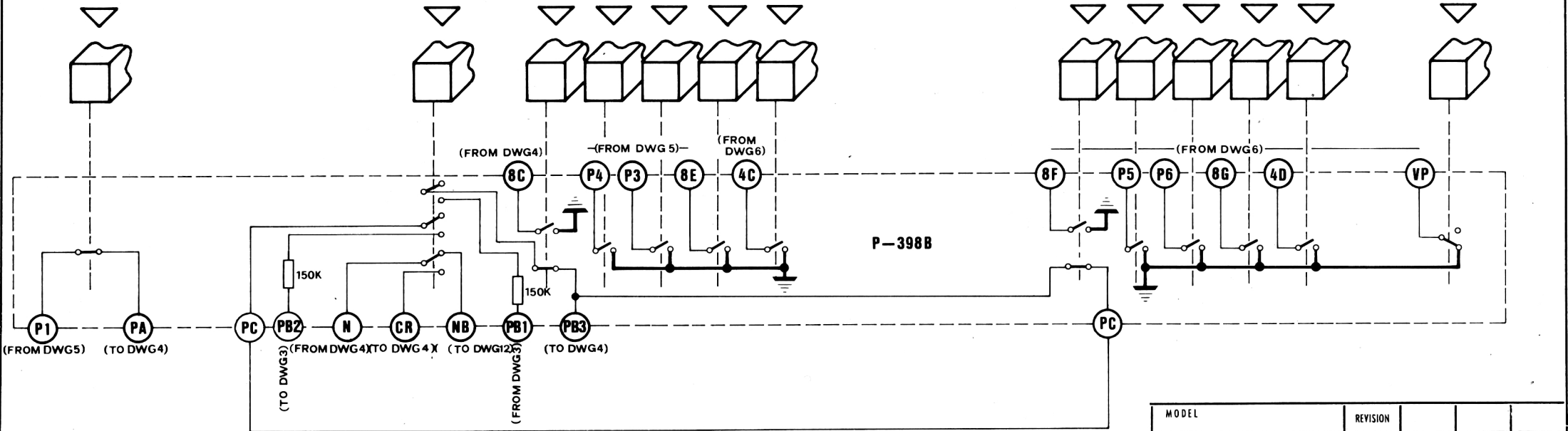
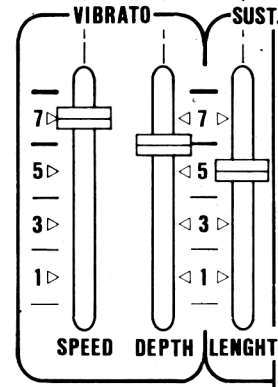
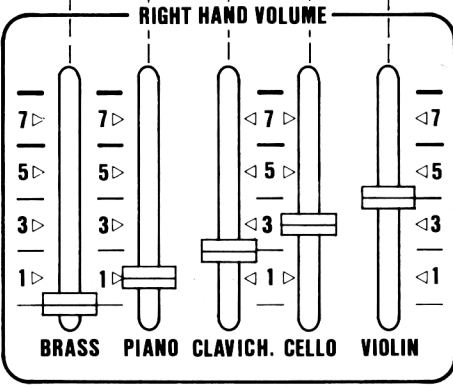
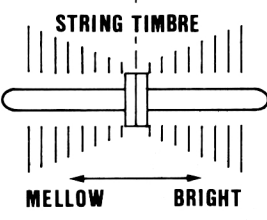
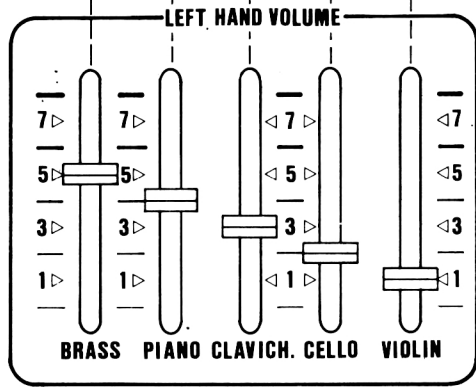
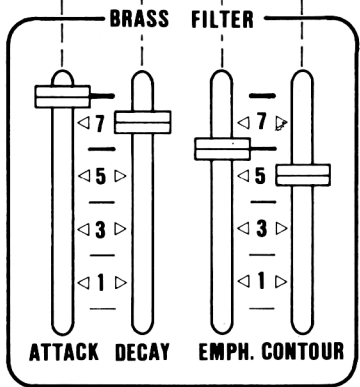
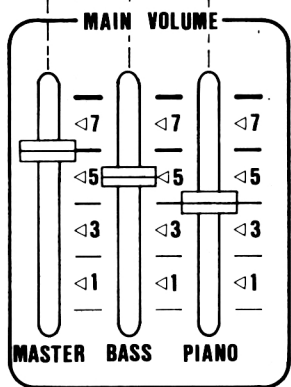
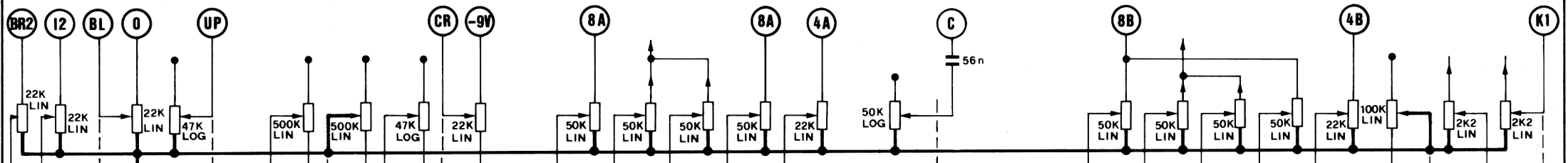
1) ALL RESISTORS MARKED  MUST BE CARBON FILM

NOTES: 2) ALL VOLTAGES ARE MEASURED WITH VOLTMETER 4000Ω/V

TABLE OF EQUIVALENTS		
BOARD	REFERENCE	TYPE
P-392	TR1+TR4	BC204 MISTRAL
	TR5	BC209B MISTRAL
	IC1÷IC10	SAJ110 I. T. T.
	IC11	MK50240 MOSTEK
	DZ1	IZ22 I. T. T.
	DZ2	ZPY9,1 I. T. T.
	DZ3	IZ22
P-395	TR1+TR3	SFT714 MISTRAL
	D1+D7	BA130 FAIRCHILD
P-389	TR1+TR3	BC550B PHILIPS
	TR4+TR13	BC209C
	TR14	BC550B
	TR15	BC209B
	TR16	BC204
	TR17÷TR18	BC209B
	TR19	BC550B
	D1÷D2	BA130
P-396	TR1÷TR3	BC550B
	D1	BA130
P-388	TR1÷TR2	BC209C
	TR3÷TR4	BC209B
	D1	BA130
P-159	TR1÷TR3	BC204
	TR4÷TR5	BC209B
	D1÷D5	FDH900 FAIRCHILD
P-393	TR1	BC209C
	TR2÷TR16	BC209B
	TR17	BC209C

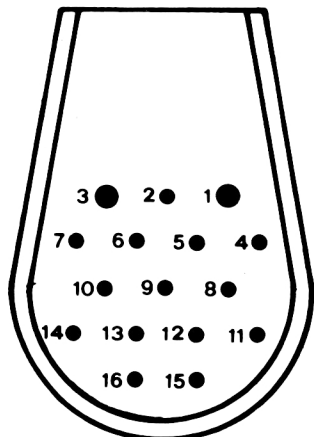
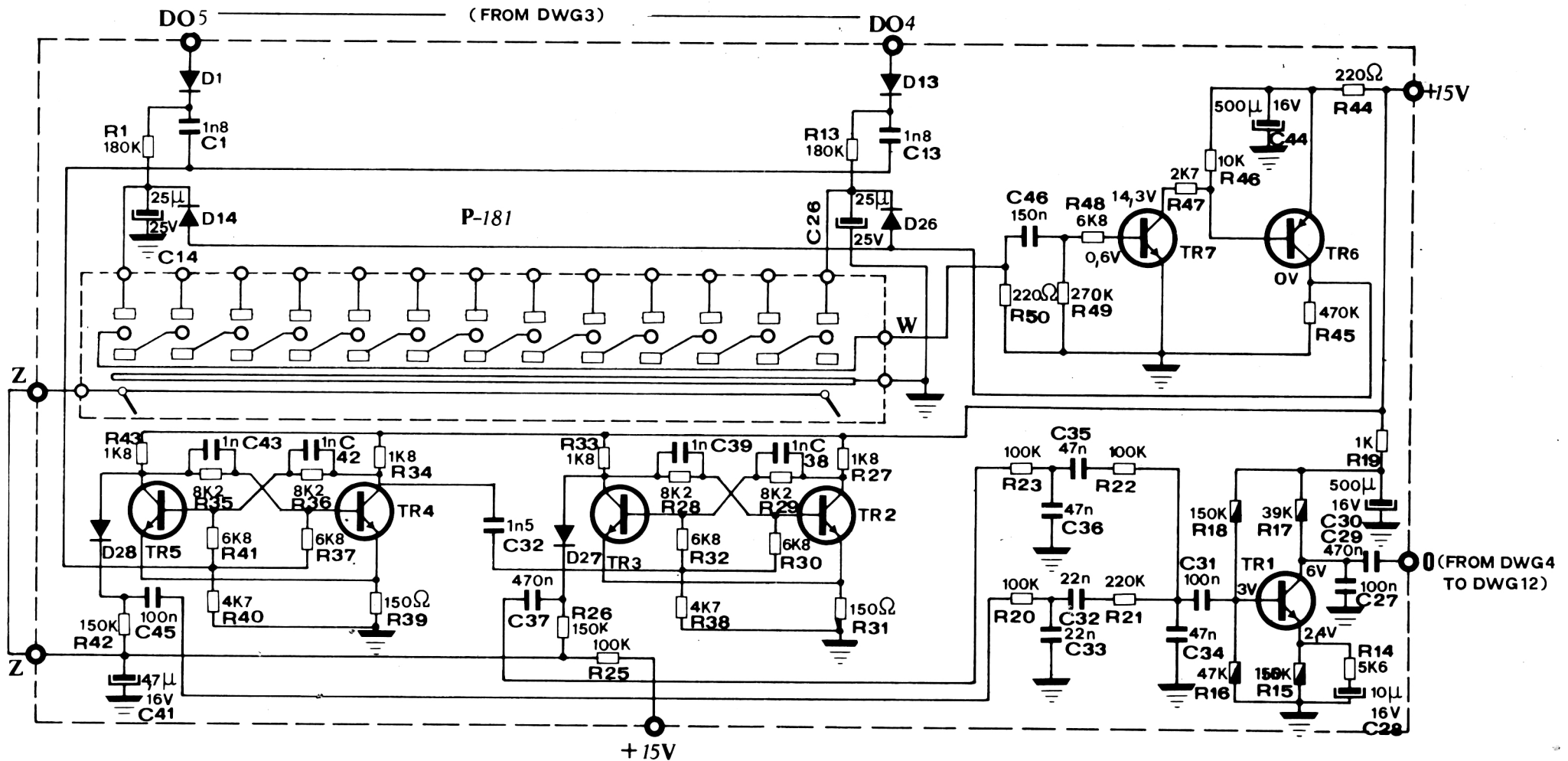
MODEL		REVISION	
DATE	DRAWN BY.	DESIGNED BY	DATE
	<i>E. Robert</i>	<i>R. Brian</i>	

DWG9



MODEL		REVISION	
DATE	DRAWN BY <i>G. Nesbitt</i>	DESIGNED BY <i>R. Bran</i>	DATE

DWG10

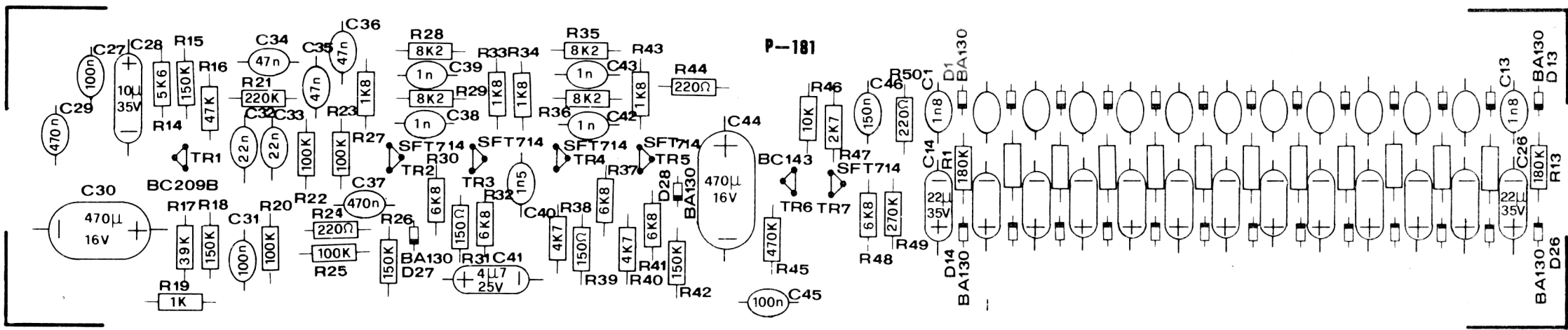


PEDAL BOARD SOCKET

PIN	NOTE	PIN	NOTE
1	⏏	9	FA 4
2	O · P181	10	FA#4
3	+ 15V	11	SOL 4
4	DO5	12	SOL#4
5	DO#4	13	LA 4
6	RE4	14	LA#4
7	RE#4	15	SI 4
8	MI4	16	DO4

BASS PEDALS

MODEL			REVISION	
DATE	DRAWN BY	DESIGNED BY	DATE	
	Wosetti G	R. Bran		



PIN	NOTE	PIN	NOTE
1		9	Fa 4
2	0-P181	10	Fa [#] 4
3	+15V	11	Sol 4
4	Do 5	12	Sol [#] 4
5	Do [#] 4	13	La 4
6	Re 4	14	La [#] 4
7	Re [#] 4	15	Si 4
8	Mi 4	16	Do 4

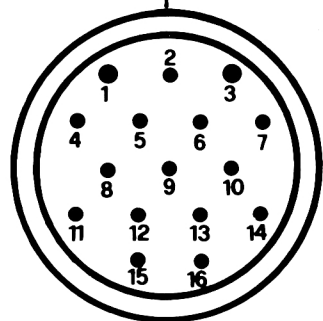
PIN	REFERENCE
1	+20V: FROM DWG2
2	K2: FROM DWG3
3	
4	
5	
6	CA: TO STEREO
7	CO: TO STEREO

PIN	REFERENCE
1	
2	NB: FROM DWG10
3	-9V: FROM DWG2
4	W: FROM DWG 4
5	

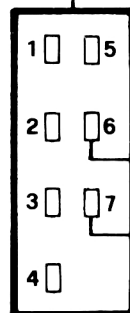
PIN	REFERENCE
1	
2	03: FROM DWG 4
3	02: FROM DWG 5

PIN	REFERENCE
1	
2	CO: FROM SWELL P. TO MONO
3	CA: FROM SWELL P.
3	BR2: FROM DWG4

PIN	REFERENCE
1	
2	CO: FROM STEREO
2	I2: FROM DWG 4



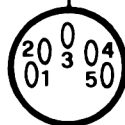
PEDAL BOARD



SWELL PEDAL

CA

CO



PEDAL FILTER



PIANOS



STEREO



MONO

MODEL			REVISION		
DATE	DRAWN BY <i>C. N. Speth</i>	DESIGNED BY <i>R. Bran</i>	DATE		

CRUMAR S.p.A.
60022 CASTELFIDARDO - ITALY
c.p. 98
Tel. (071) 79033 / 34