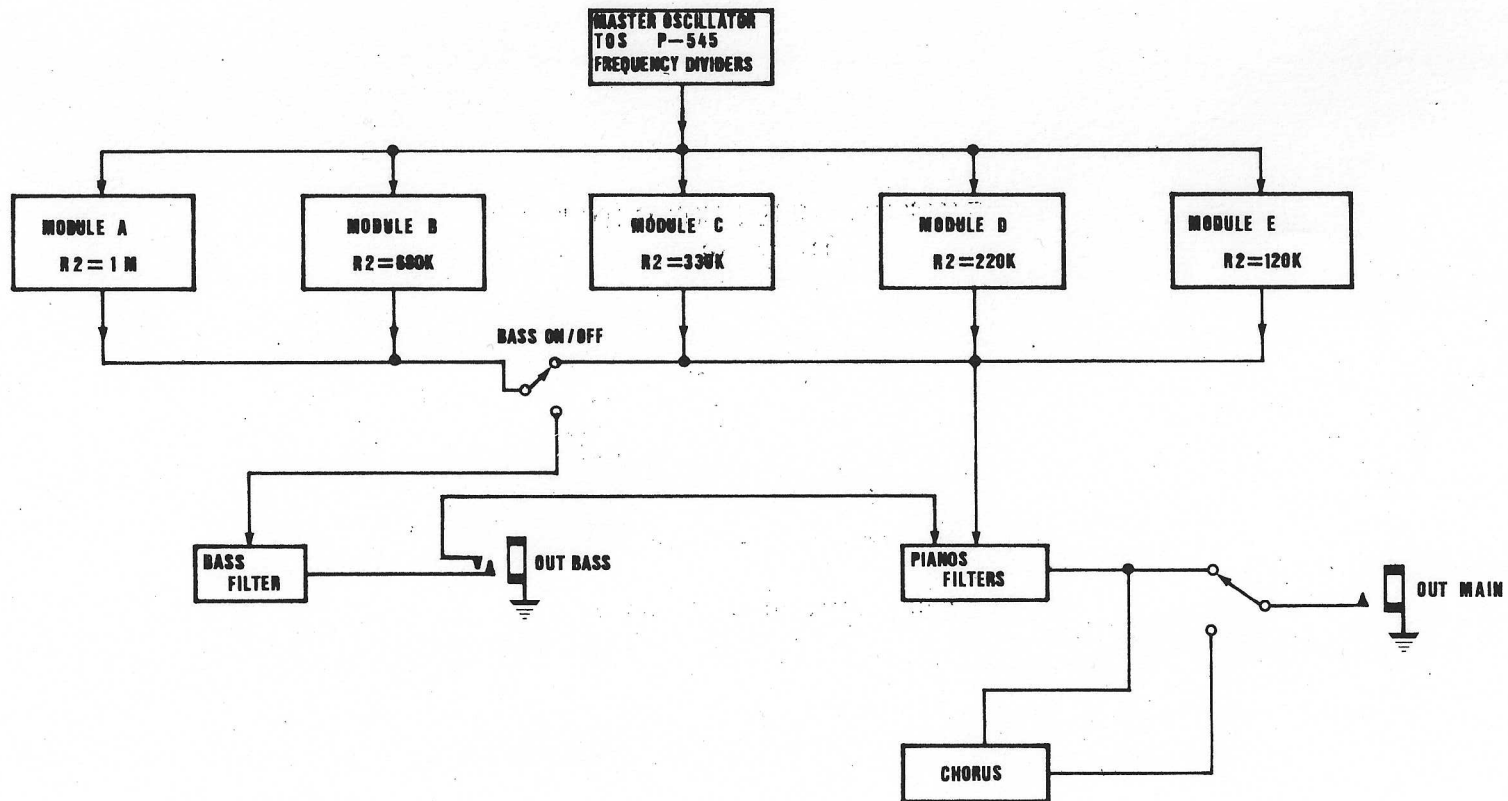


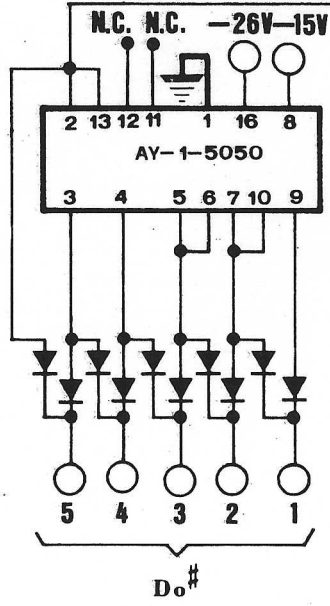
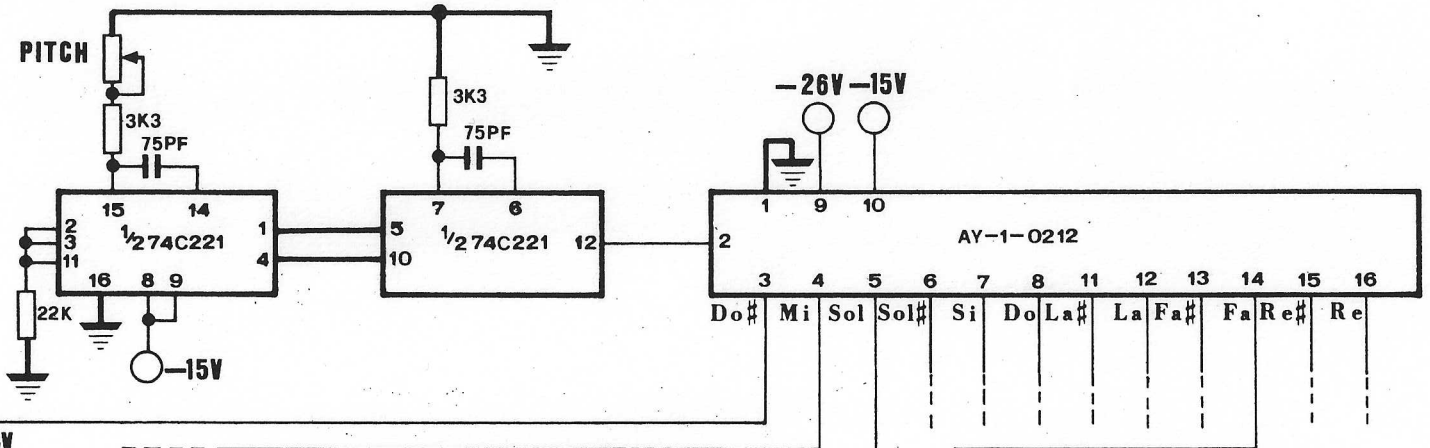
**SCHEMATIC
DIAGRAM**

CRUMAR[®]
Musical Instruments

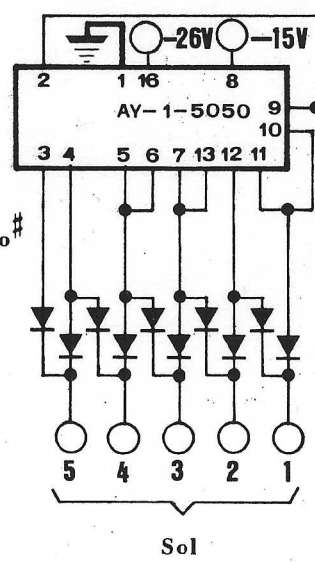
mod.
**Road
Racer**



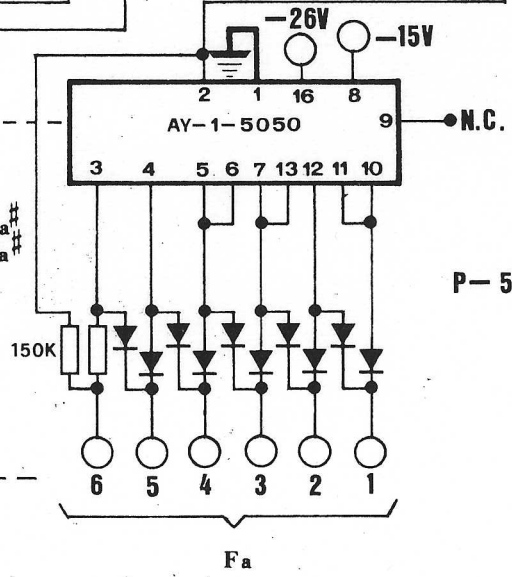
MODEL	ROAD RACER		REVISION		
DATE	DRAWN BY	DESIGNED BY	DATE		
	B. G.	R. M.			



Re-Re# - Mi
ARE DIVIDED LIKE Do#

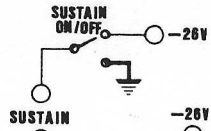


Sol# - La - La#
Si - Do - Fa#
ARE DIVIDED
LIKE Sol



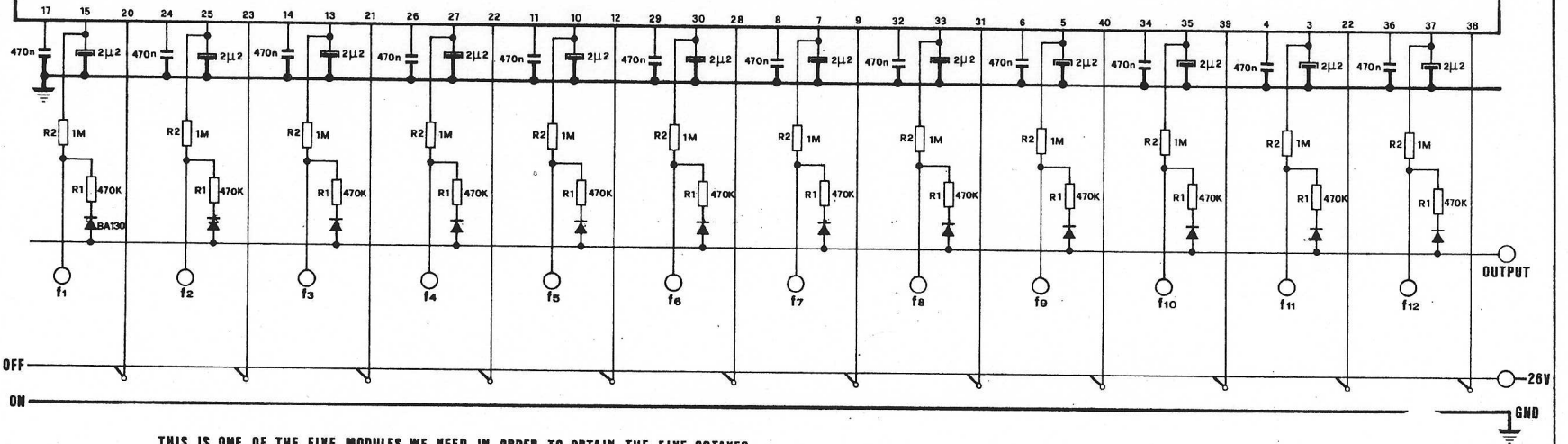
P-545

MODEL	ROAD RACER	REVISION		
DATE	DRAWN BY <i>Bordani G.</i>	DESIGNED BY <i>R. H. H.</i>	DATE	



MODULE A

AY 1320

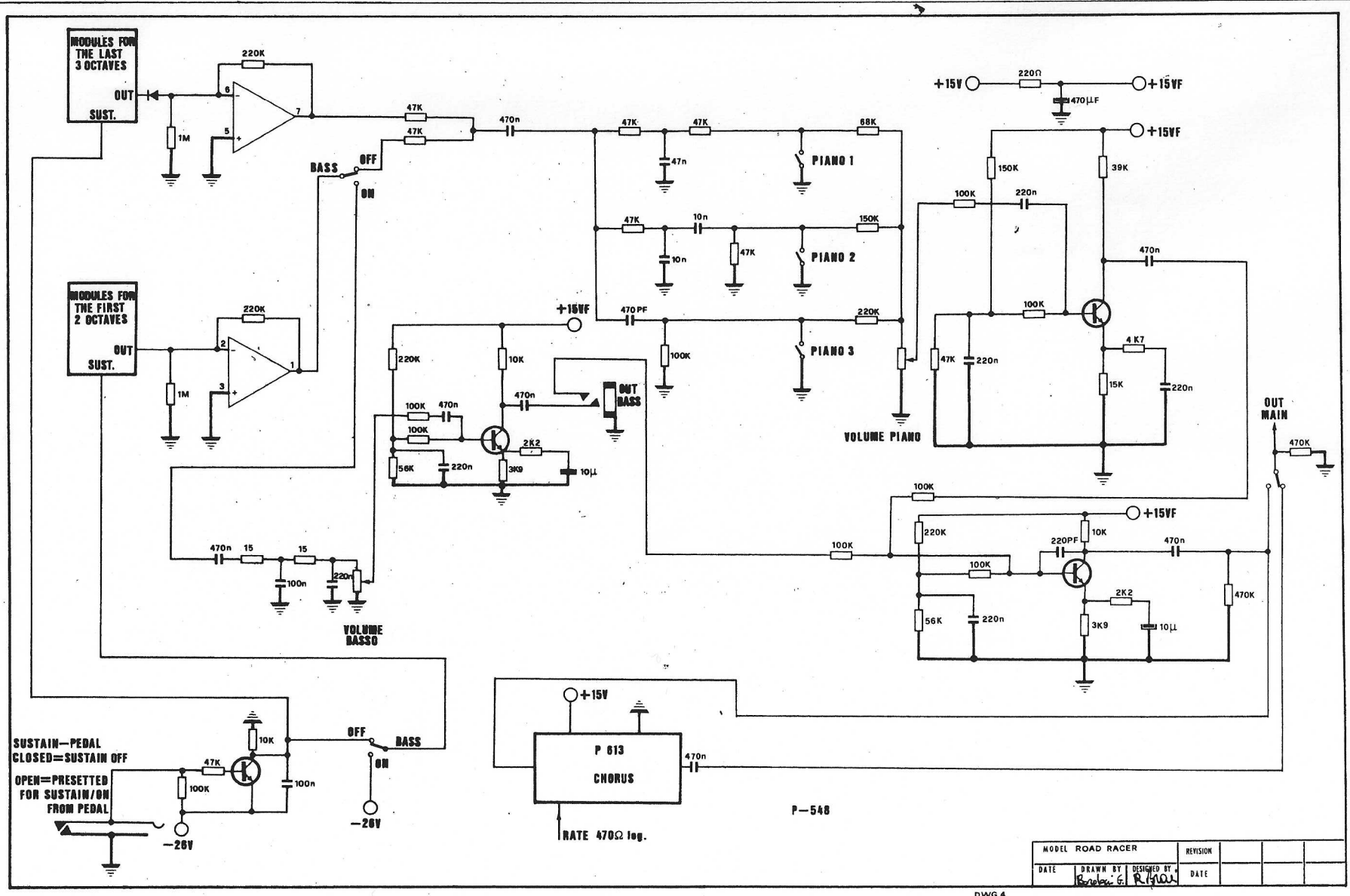


THIS IS ONE OF THE FIVE MODULES WE NEED IN ORDER TO OBTAIN THE FIVE OCTAVES

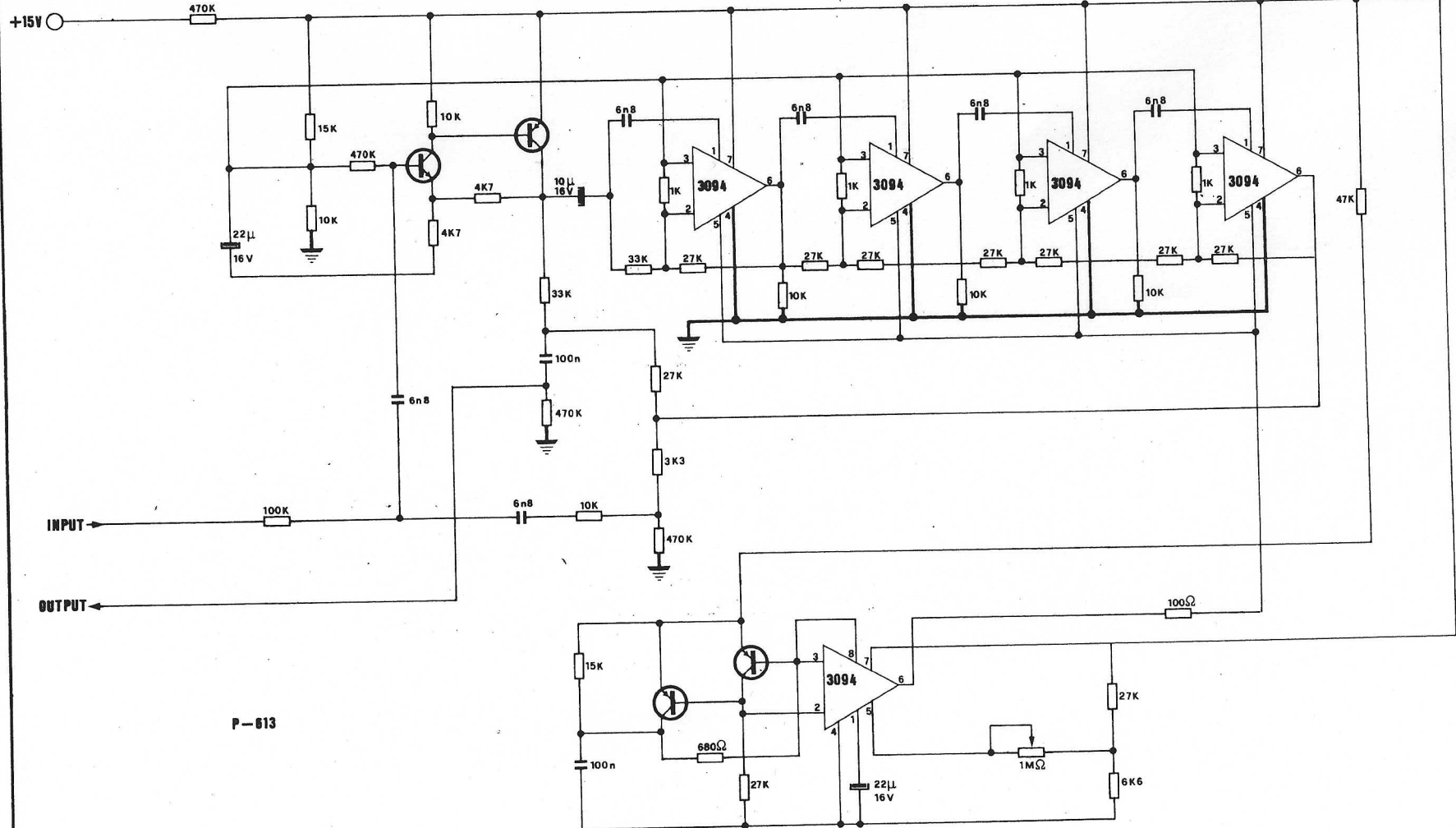
R1= 470K
 R2= SEE DWG1
 f1-f2=FREQUENCIES

MODEL ROAD RACER			REVISION		
DATE	DRAWN BY	DESIGNED BY	DATE		
	London G.	R. T. W.			

DWG3

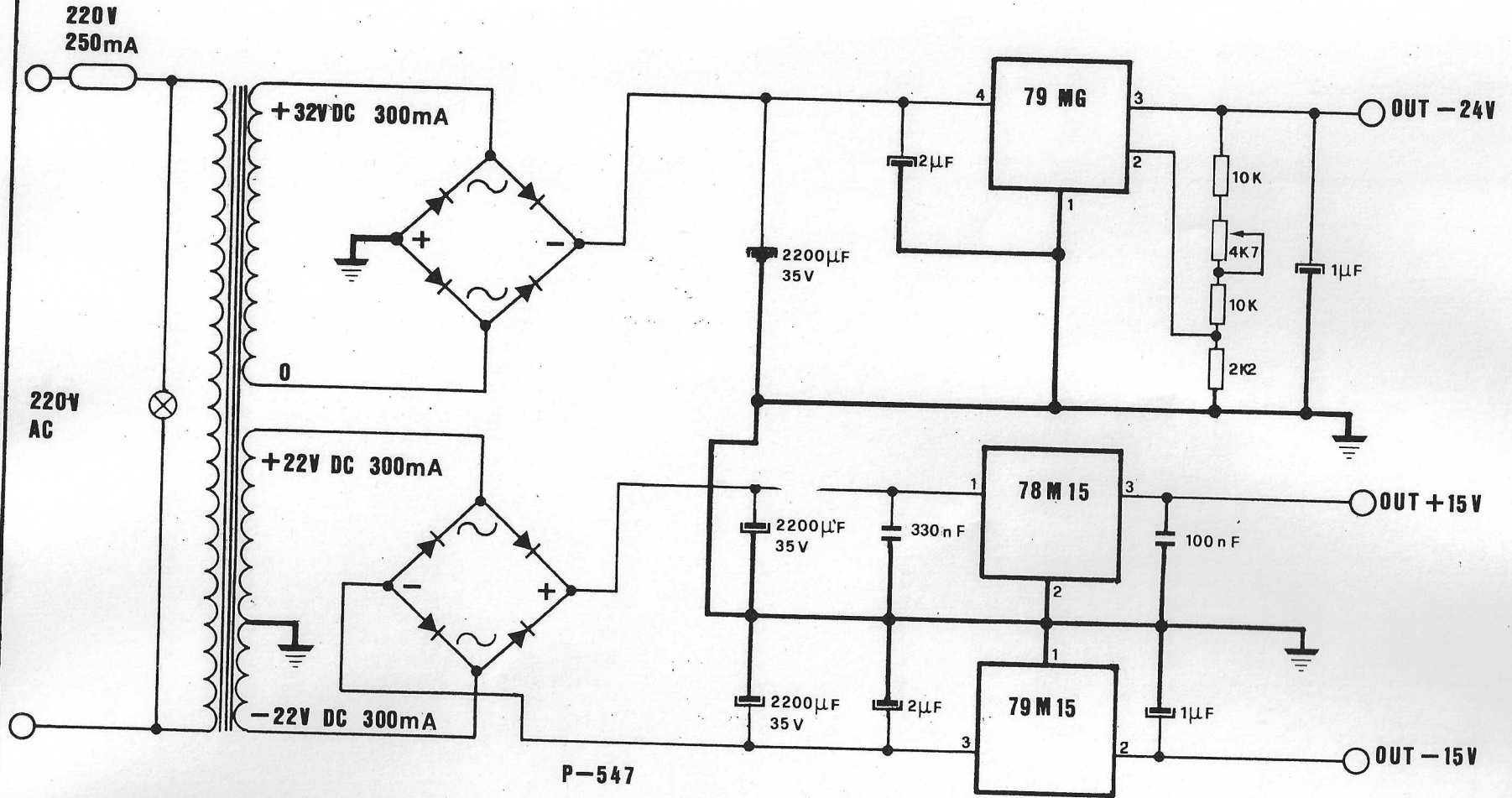


MODEL ROAD RACER		REVISION		
DATE	DRAWN BY <i>Barker E. R. (1902)</i>	DESIGNED BY	DATE	



P-613

MODEL ROAD RACER		REVISION	
DATE	DRAWN BY <i>Boston G.</i>	DESIGNED BY <i>R. M. ...</i>	DATE



P-547

MODEL		ROAD RACER		REVISION				
DATE	DRAWN BY	DESIGNED BY	DATE					
	Borden G	R. Brown						