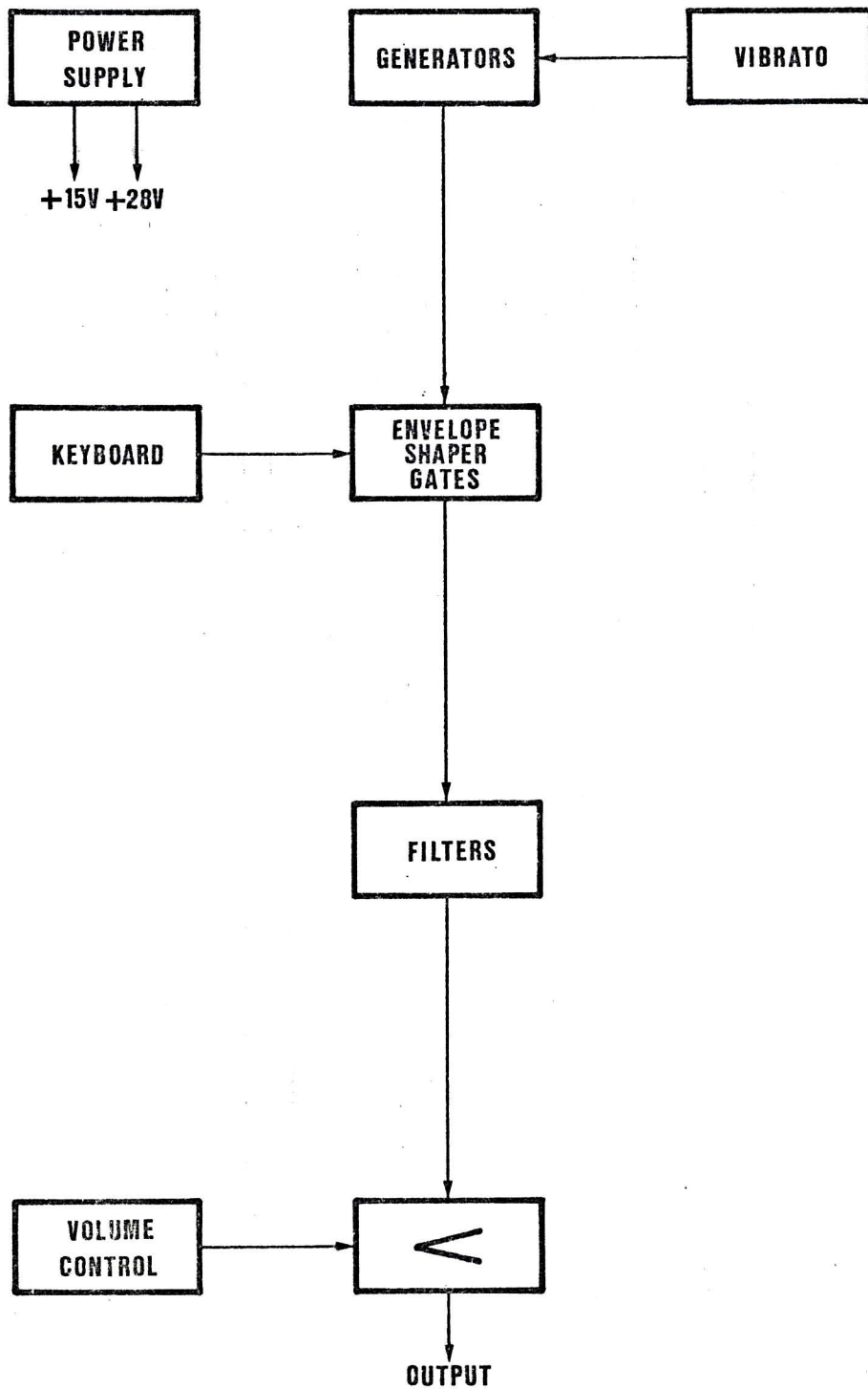


**SCHEMATIC
DIAGRAM**

CRUMAR[®]
Musical Instruments

mod.
Roadrunner



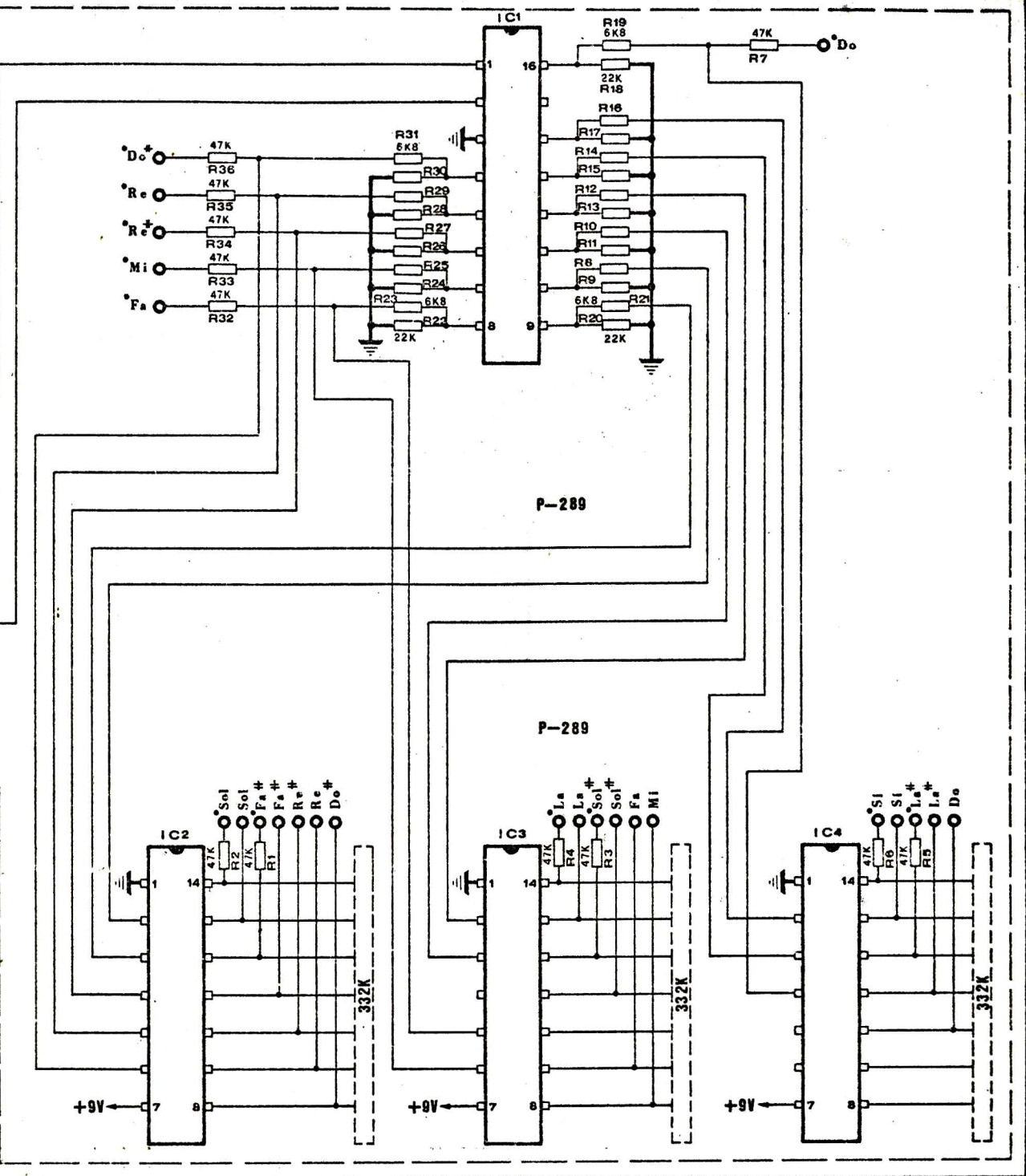
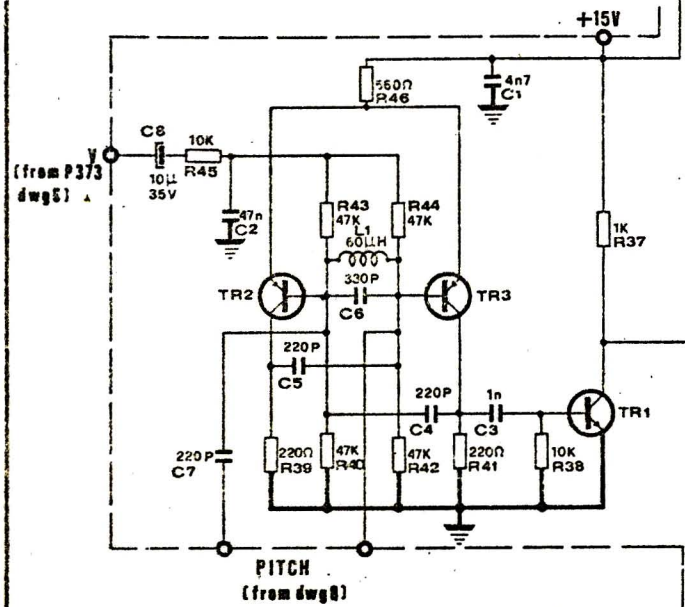
BLOCK DIAGRAM

www.servicemanual.altervista.org

MODEL	CRUMAR PIANO 76	REVISION			
DATE	DRAWN BY	DESIGNED BY	DATE		
30-8-76	G. Rossetti	Anderson			

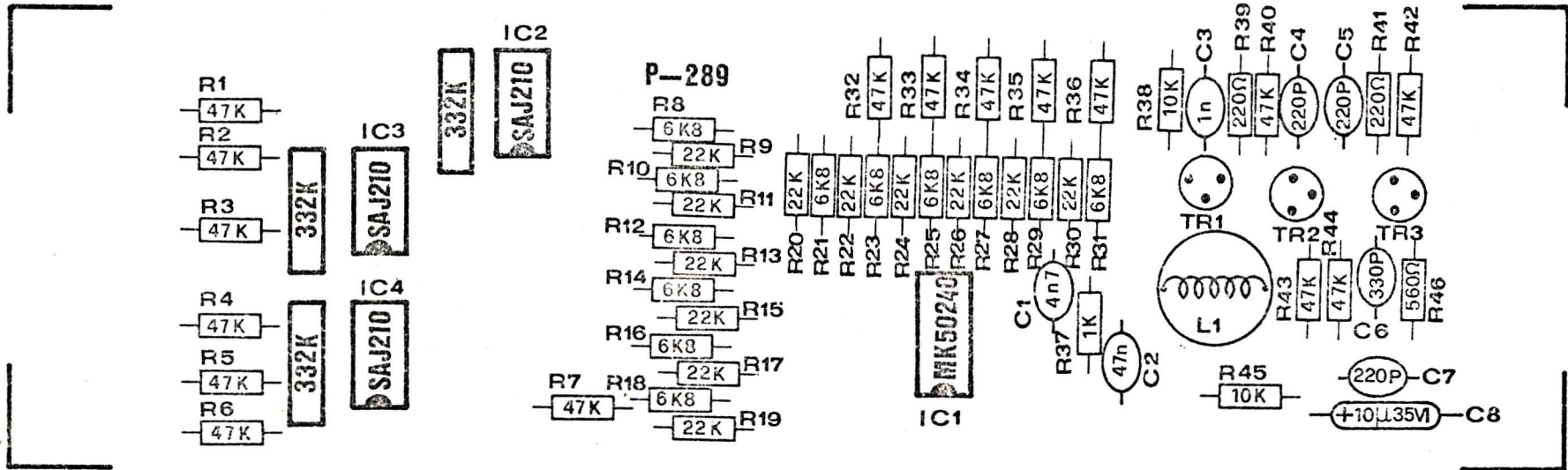
DWG1

GENERATORS

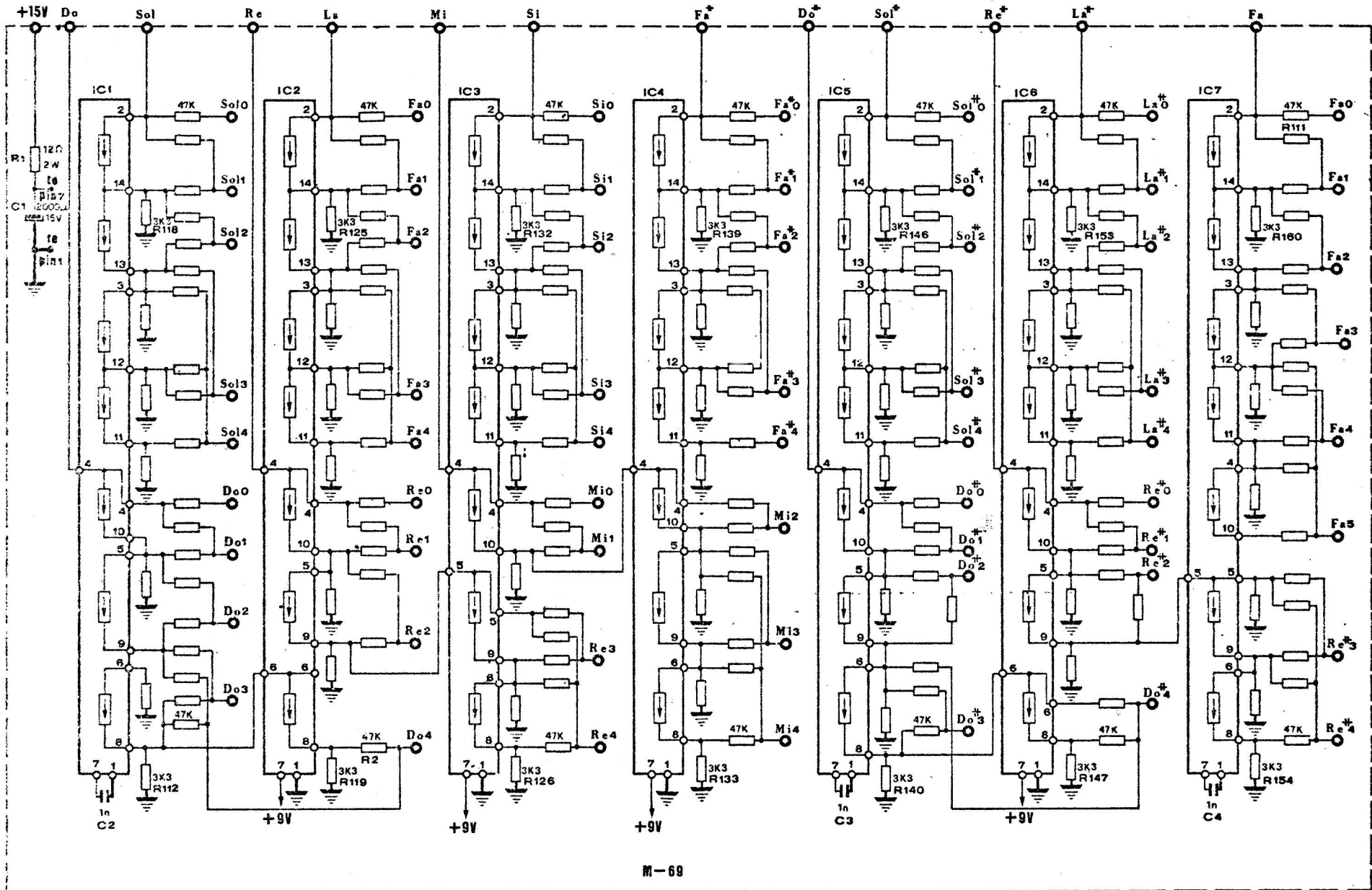


www.servicemanual.altervista.org

MODEL	CRUMAR PIANO 76	REVISION		
DATE	DESIGNED BY	DESIGNED BY	DATE	
30 8-76				



(to M 60/1 dwg 4)



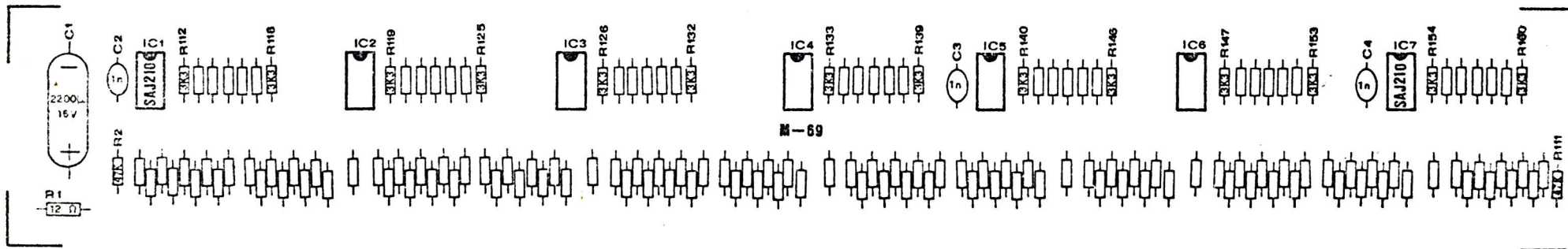
M-69

DIVIDERS

www.servicemanual.altervista.org

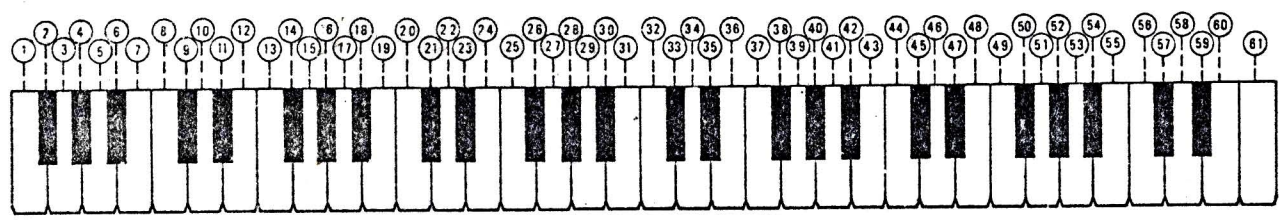
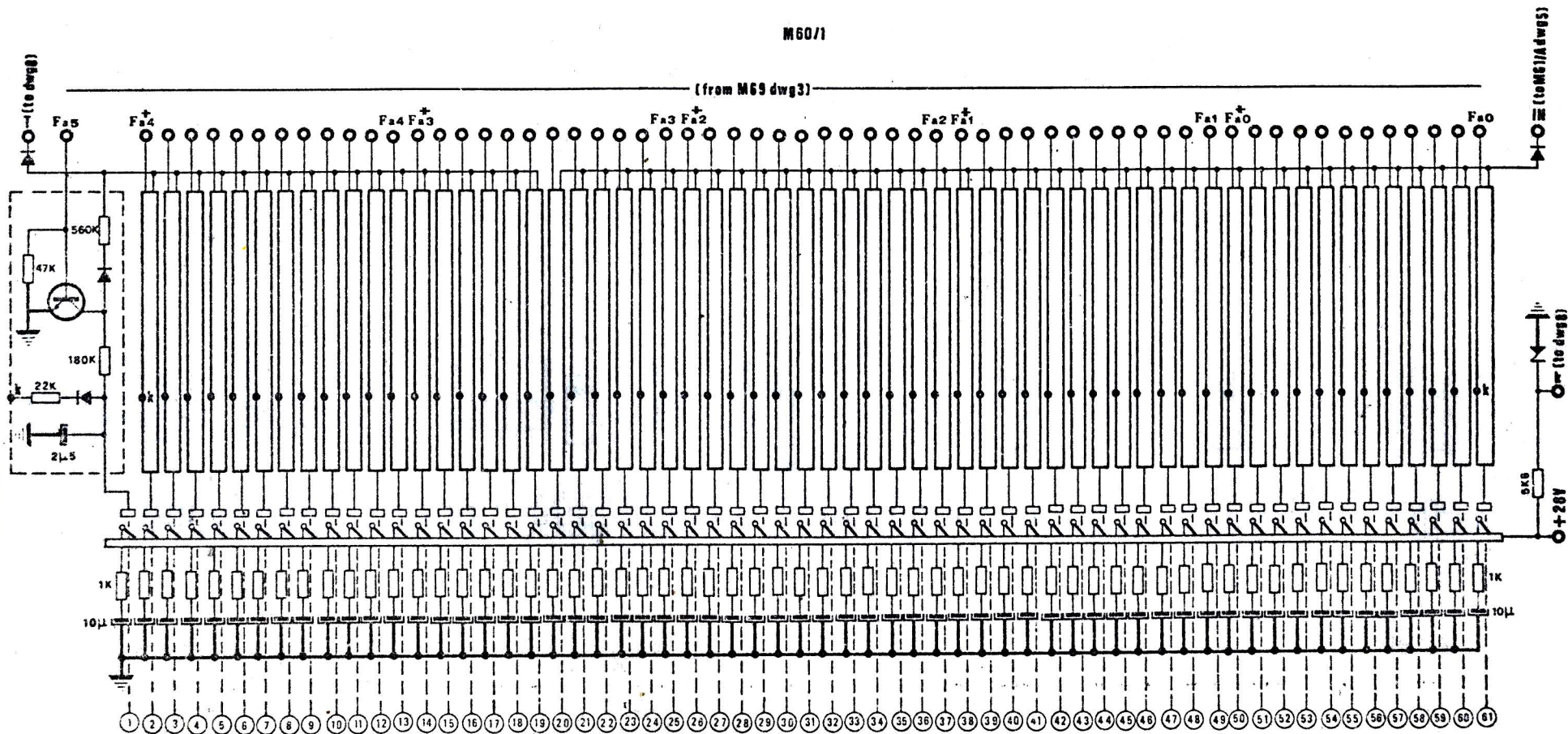
MODEL	CRUMAR PIANO 79	REVISION	
DATE	DRAWN BY	DESIGNED BY	DATE
30-8-76			

DWG3



M60/1

(from M69 dwg3)



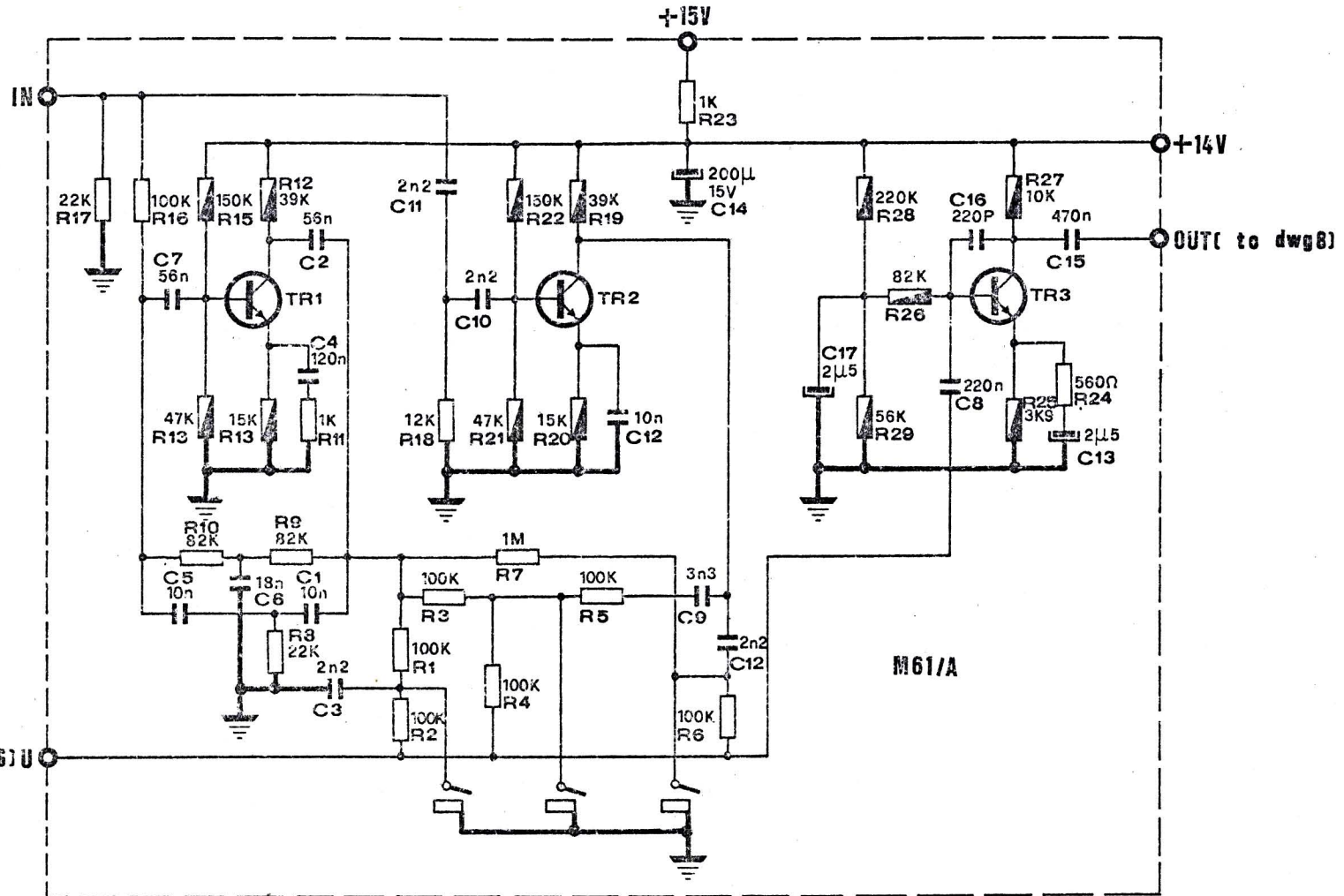
KEYBOARD

www.servicemanual.altervista.org

MODEL	CRUMAR PIANO 76		REVISION		
DATE	DRAWN BY	DESIGNED BY	DATE		
30-8-76					

DWG 4

(from M6011 dwg 4 ;
from dwg 8)



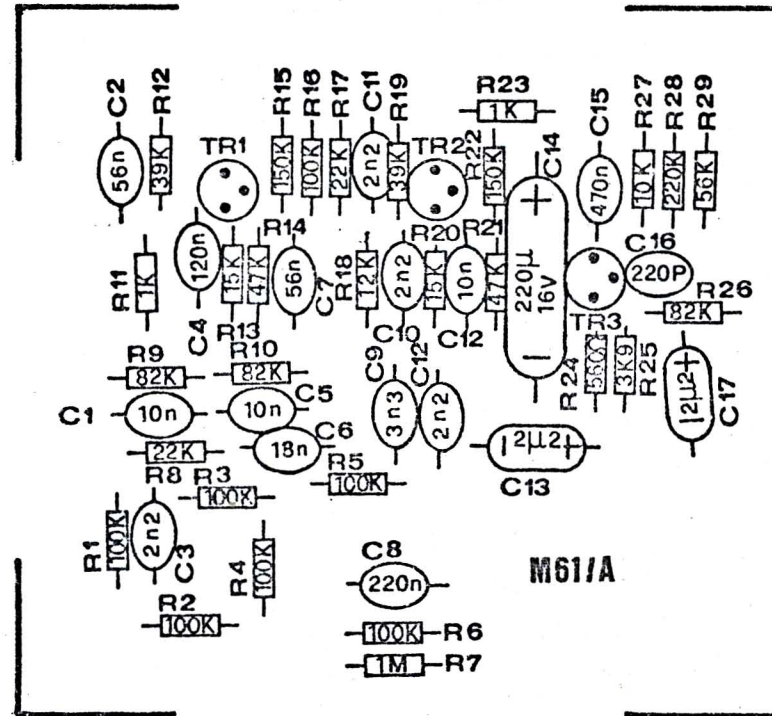
(from P 373 dwg 6) U

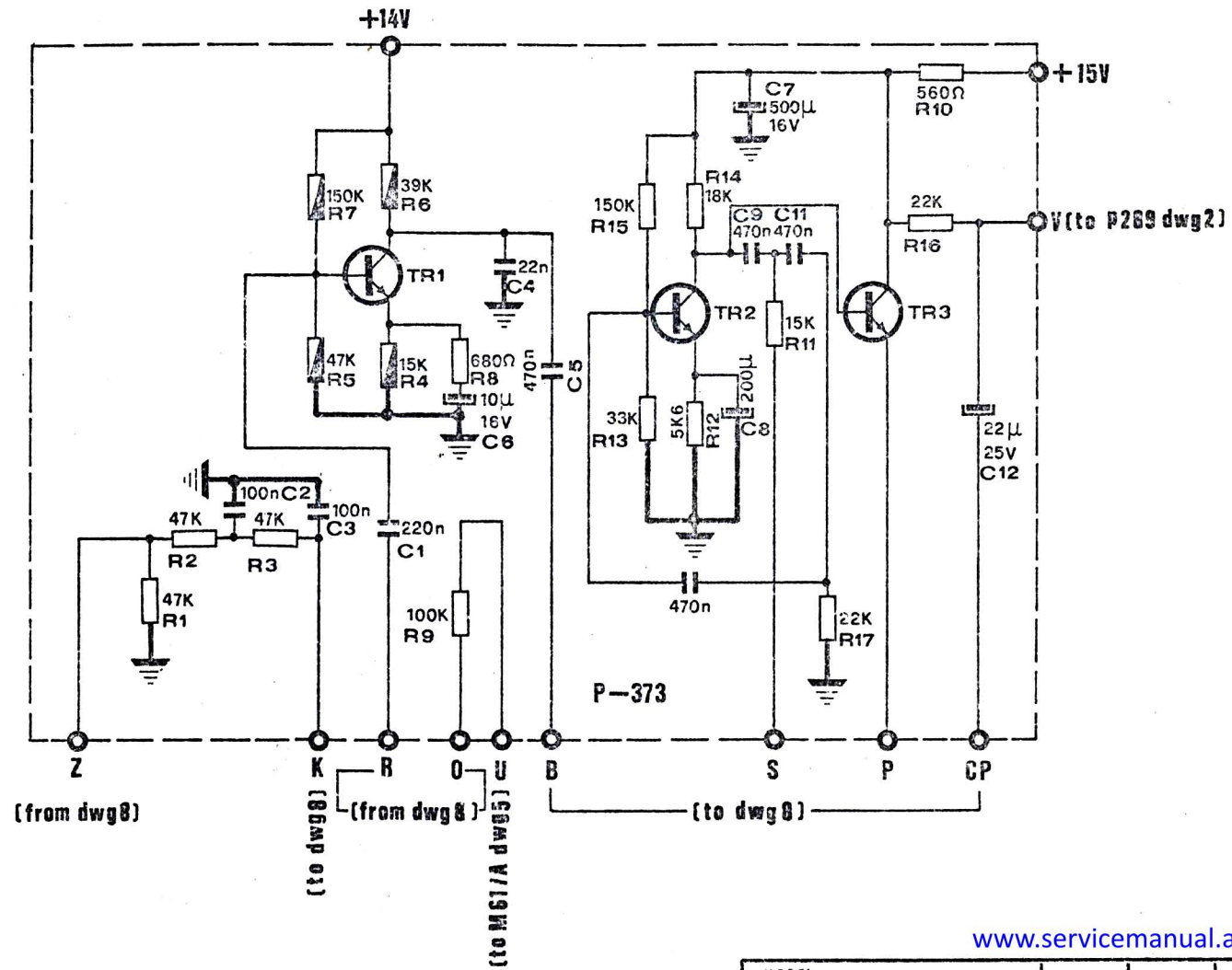
PIANO HONKY TONK CLAVI CHORD

www.servicemanual.altervista.org

MODEL CRUMAR PIANO 76			REVISION		
DATE 30-8-76	DRAWN BY <i>G. Lopez</i>	DESIGNED BY <i>A. Andreani</i>	DATE		

DWG5

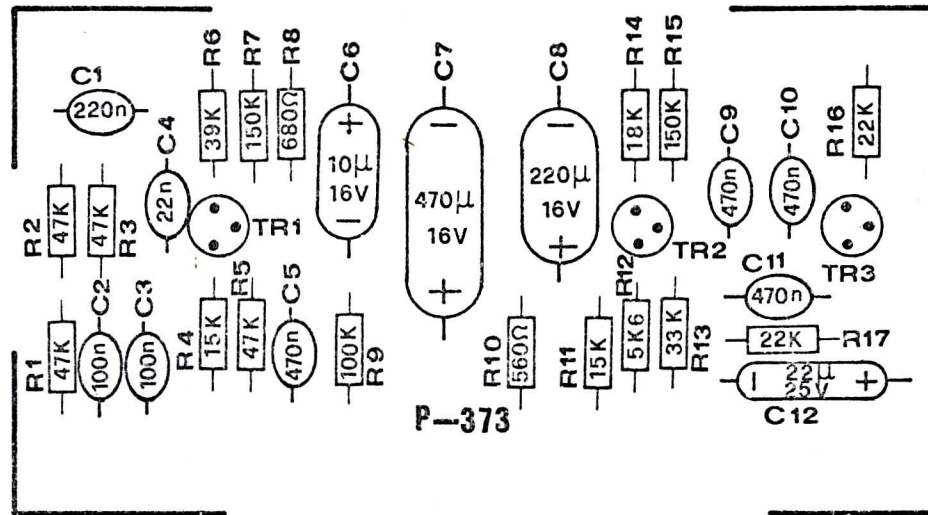




www.servicemanual.altervista.org

MODEL CRUMAR PIANO 76			REVISION		
DATE 30-8-76	DRAWN BY G. Peretti	DESIGNED BY Anbrani	DATE		

DWG 6



POWER SUPPLY

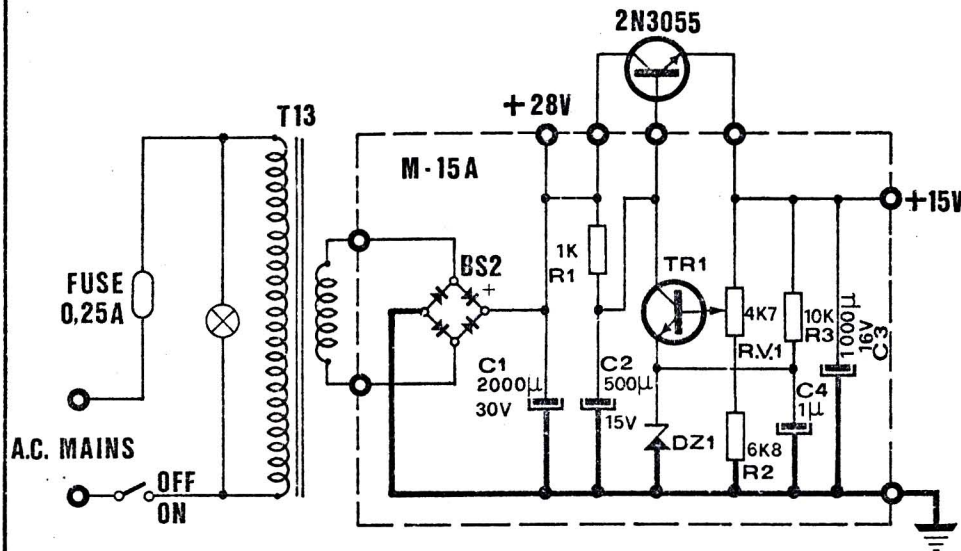


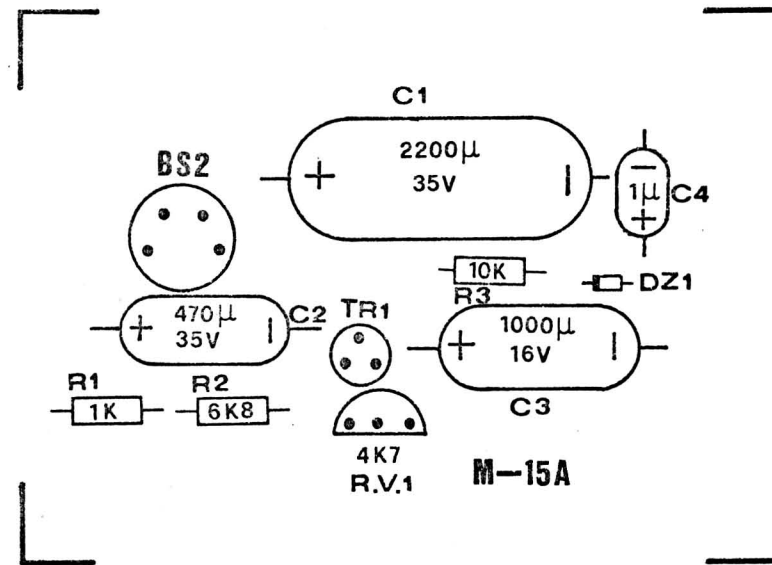
TABLE OF EQUIVALENTS			
BOARD	REFERENCE	TYPE	
M-15/A	TR1	BC115	S. G. S.
	DZ1	ZPY9.1	I. T. T.
M-60/1	TR1÷TR61	SFT714	S. G. S.
	D1÷D124	BA130	FAIRCHILD
	DZ1	ZY4.7V	I. T. T.
M-69	I.C.1÷I.C.7	SAJ210	S. G. S.
P-289	TR1	BC209B	PHILIPS
	TR2÷TR3	BC204	MISTRAL
	I.C.1	MK50240	MOSTECK
	I.C.2÷I.C.4	SAJ210	
P-373	TR1÷TR2	BC209B	
	TR3	SFT714	
M-61/A	TR1÷TR3	BC209B	

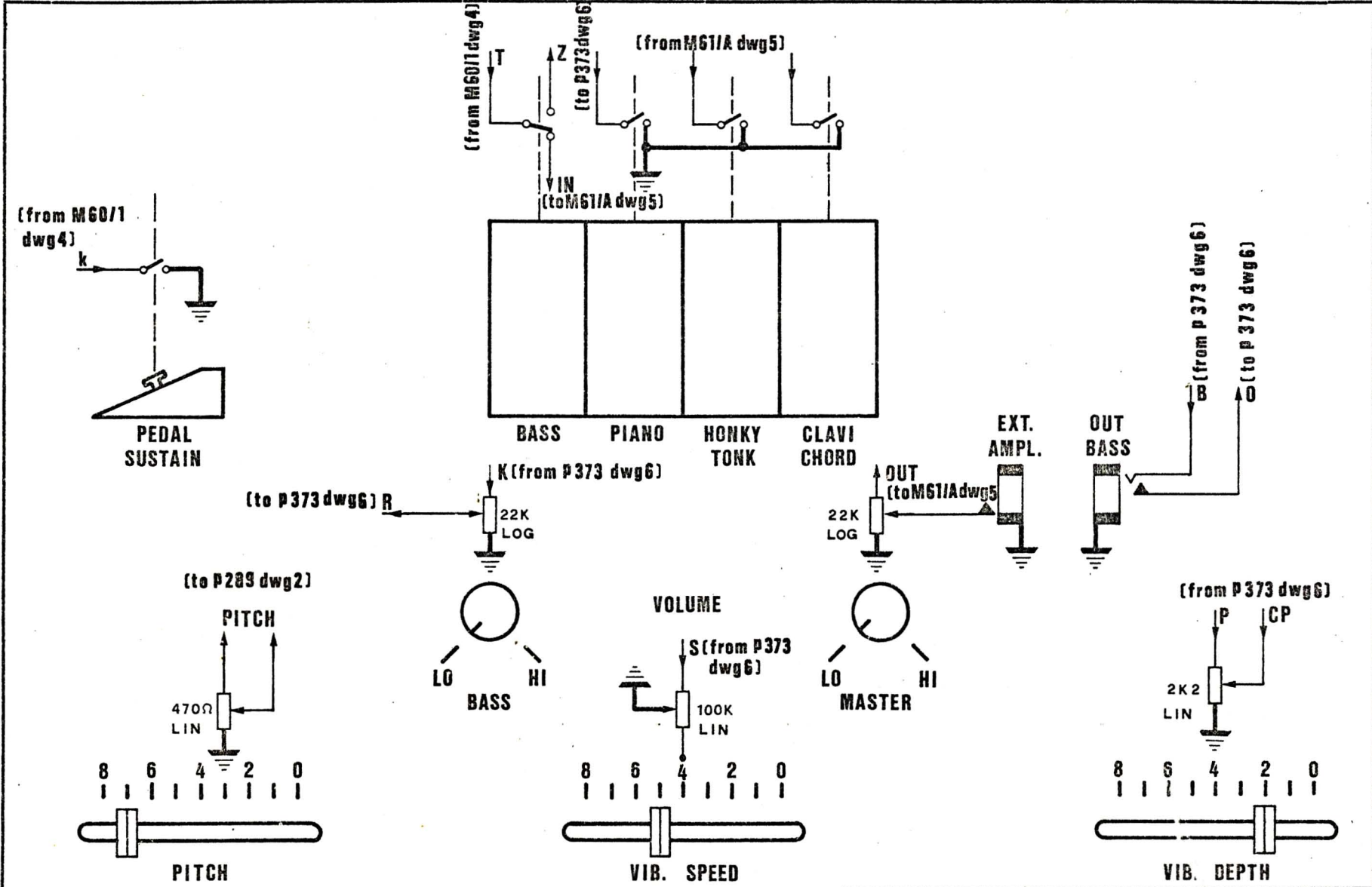
- NOTES
- 1) ALL RESISTORS MARKED  MUST BE CARBON FILM
 - 2) ALL VOLTAGES ARE MEASURED WITH VOLTMETER 4000Ω/V

www.servicemanual.altervista.org

MODEL	CRUMAR PIANO 76	REVISION			
DATE	DRAWN BY	DESIGNED BY	DATE		
30-8-76	G. Pozzetti	Andriani V.			

DWG7





www.servicemanual.altervista.org

MODEL CRUMAR PIANO 76			REVISION		
DATE	DRAWN BY	DESIGNED BY	DATE		
30-8-76	G. G. Betti	Andrucci P.			

DWG8

CRUMAR S.p.A.
60022 CASTELFIDARDO - ITALY
c/p 98
Tel. (071) 79033 / 34