

**SCHEMATIC
DIAGRAM**

CRUMAR[®]

Musical Instruments

**mod.
roady**

¹ →○ K 2.1	FEMALE CONNECTOR SYMBOL (es. K2.1)
○←	PLUG IN CONNECTOR SYMBOL
○→	OUTPUT SIGNAL (TO DWG...)
○←	INPUT SIGNAL (FROM DWG...)
○	TEST POINT (TP...)
●	CONNECTING POINT (ON p.c.b.)

ALL resistors 1/4 unless otherwise indicated

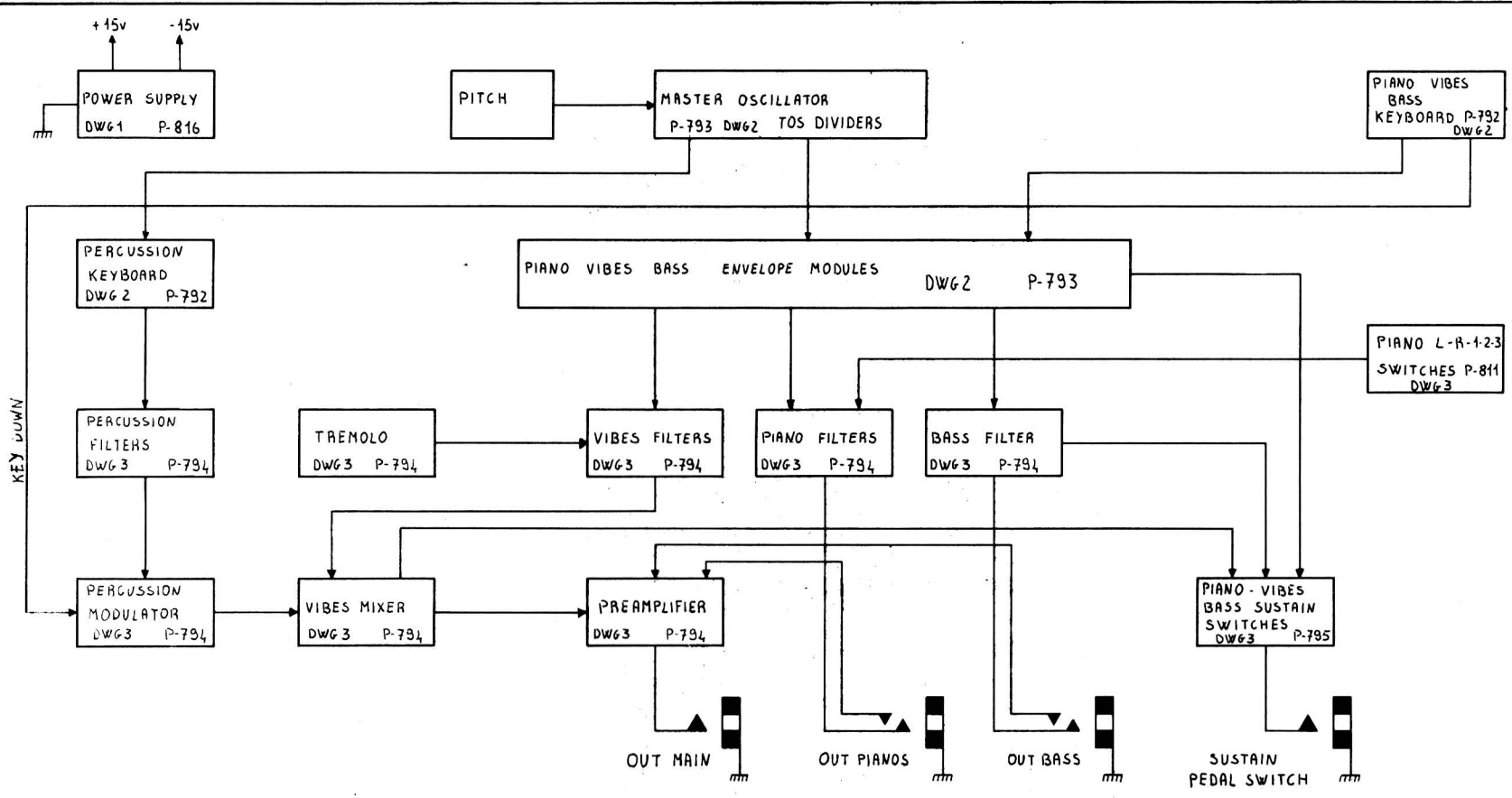
ALL tabswitches shown in OFF position

ALL keyswitches shown in OFF position

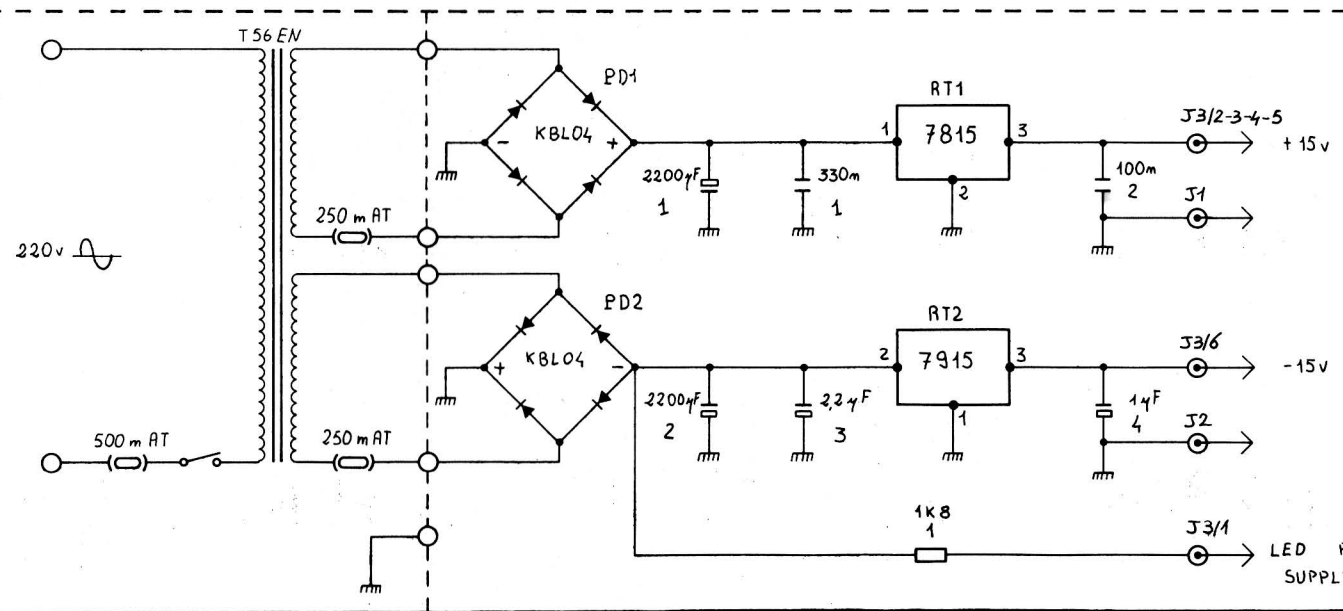
See part list for component part numbers

**SCHEMATIC
DIAGRAM**

*mod.
roady*



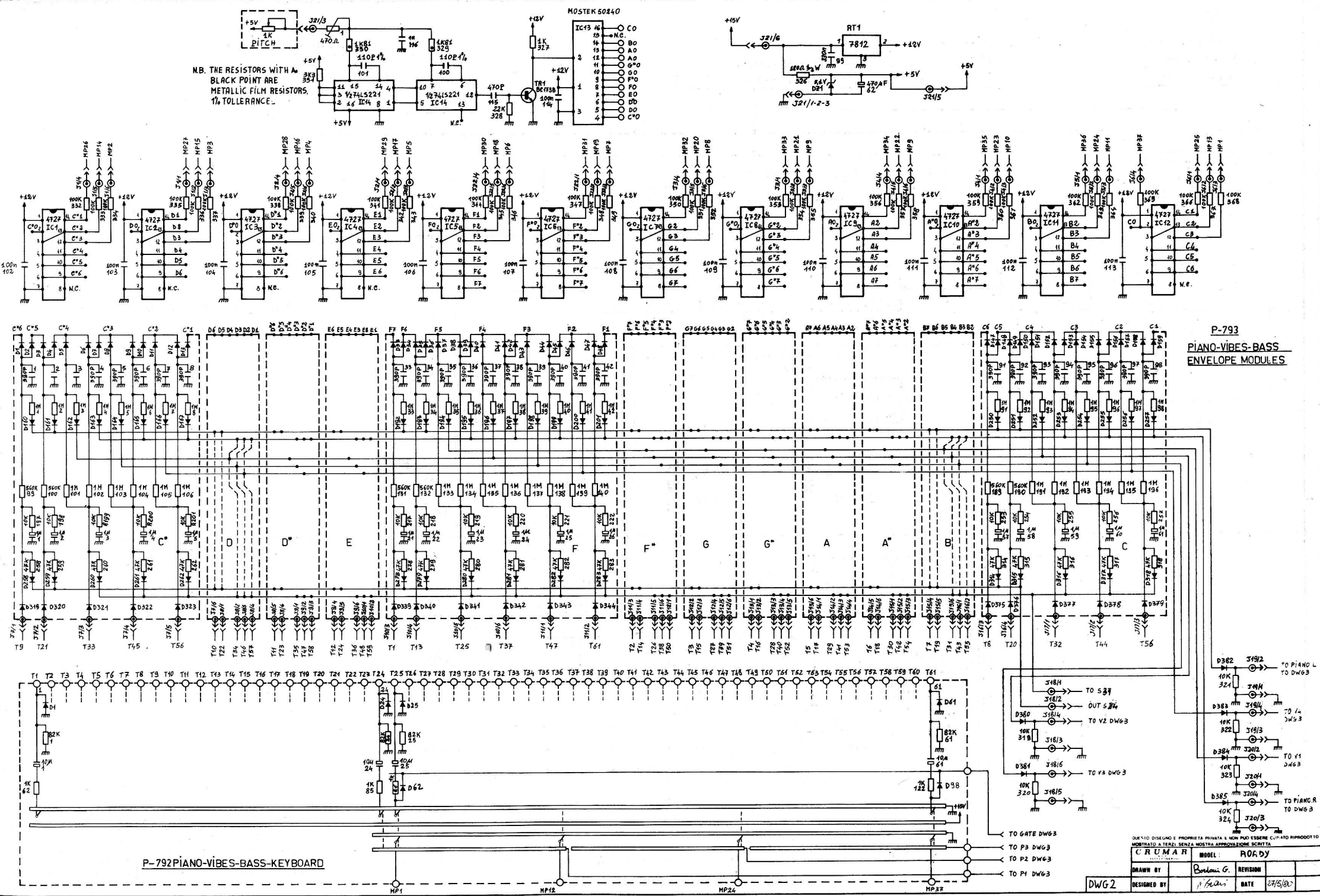
BLOCK DIAGRAM



P-816
POWER SUPPLY

QUESTO DISEGNO E PROPRIETA PRIVATA E NON PUO ESSERE COPIATO RIPRODOTTO MOSTRATO A TERZI SENZA NOSTRA APPROVAZIONE SCRITTA

CRUMAR		MODEL: ROADY	
DRAWN BY	DESIGNED BY	REVISION	DATE
	R. Frani		27/5/80



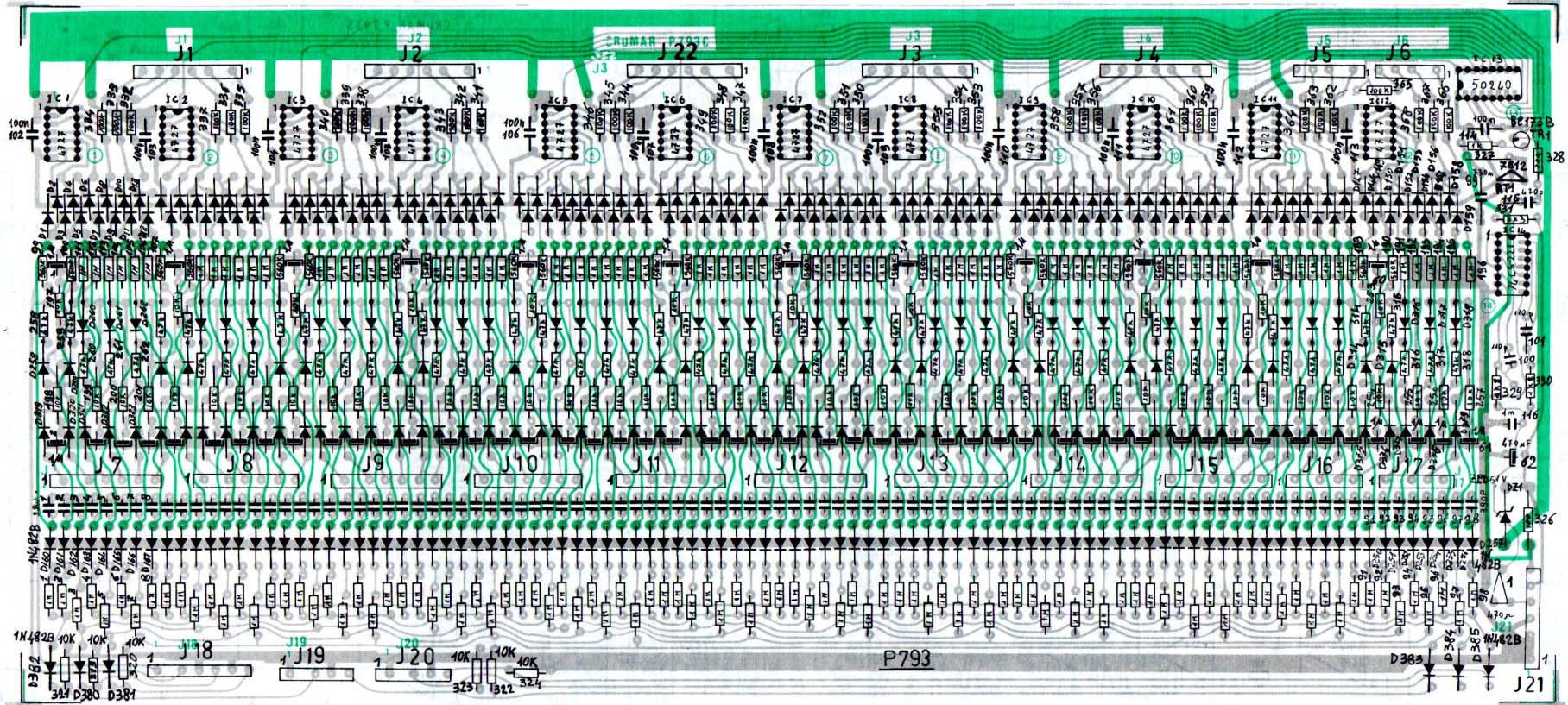
N.B. THE RESISTORS WITH A BLACK POINT ARE METALLIC FILM RESISTORS, 1% TOLERANCE..

P-793
PIANO-VIBES-BASS-
ENVELOPE MODULES

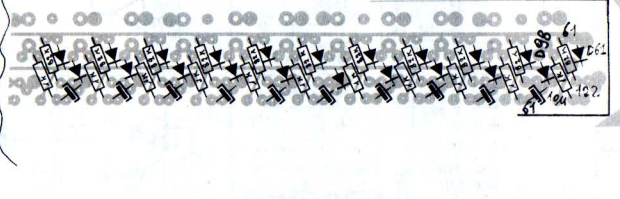
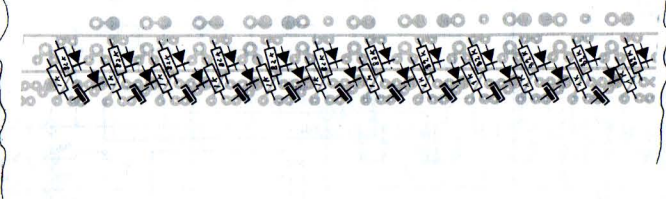
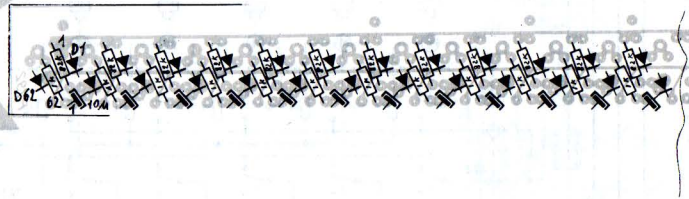
P-792 PIANO-VIBES-BASS-KEYBOARD

QUESTO DISSEGNO E PROPRIETA' PRIVATA E NON PUO' ESSERE COPiato RIPRODOTTO MONTATO A TERZI SENZA NOSTRA APPROVAZIONE SCRITTA

C R U M A R		MODEL:	PIANO
DRAWN BY:	Bordini G.	REVISION:	1
DESIGNED BY:	Bordini G.	DATE:	07/5/80

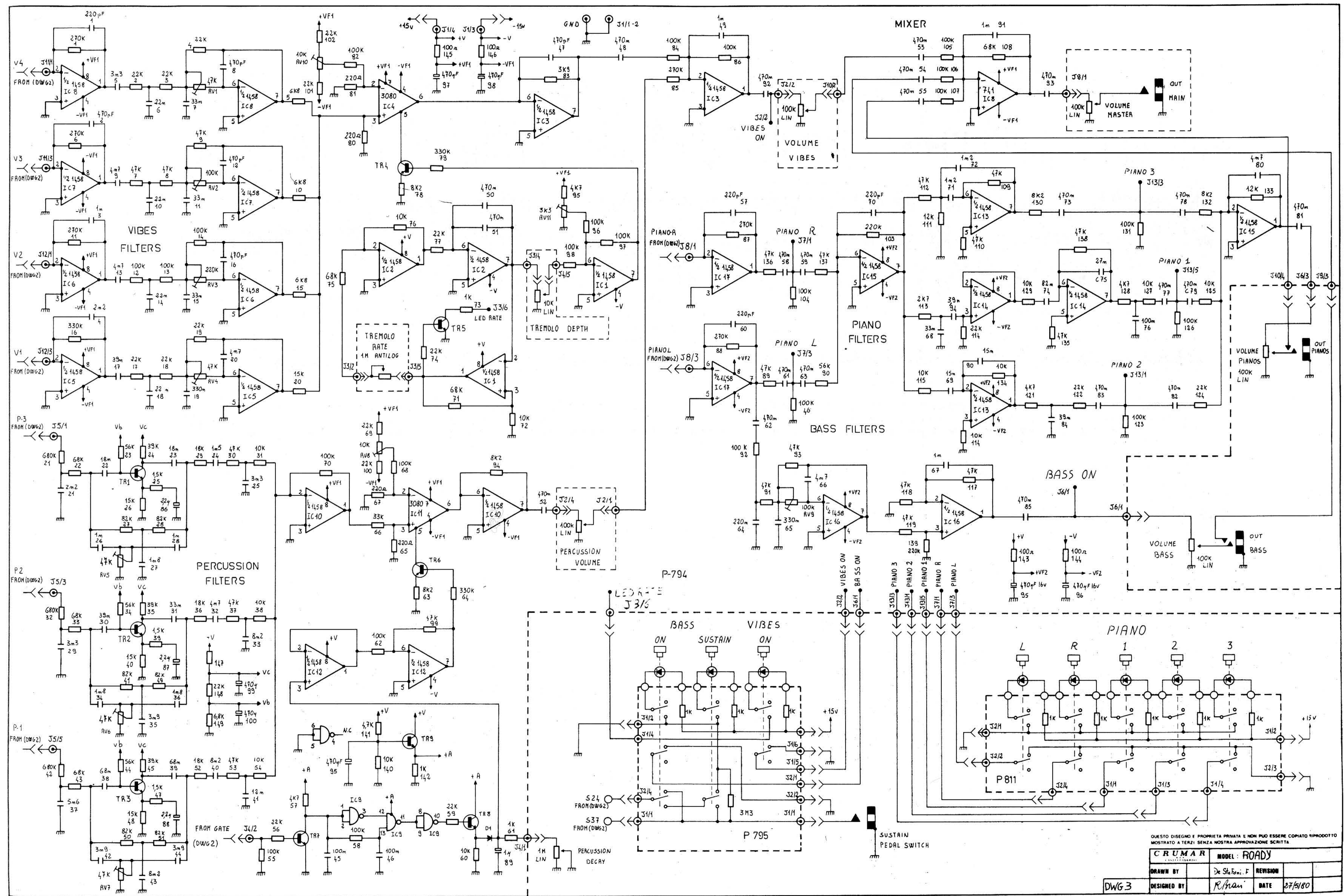


P- 792



QUESTO DISEGNO E PROPRIETA' PRIVATA E NON PUO' ESSERE COPIATO RIPRODOTTO MOSTRATO A TERZI SENZA NOSTRA APPROVAZIONE SCRITTA

CRUMAR <small>ESCLUSIVAMENTE</small>		MODEL : ROADY	
DRAWN BY	Borsani G.	REVISION	
DWG 2A	DESIGNED BY R. Borsani	DATE	27/5/80



QUESTO DISEGNO È PROPRIETÀ PRIVATA E NON PUÒ ESSERE COPIATO RIPRODOTTO MOSTRATO A TERZI SENZA NOSTRA APPROVAZIONE SCRITTA

CRUMAR		MODEL: ROADY	
DRAWN BY	De Stefani, F.	REVISION	
DESIGNED BY	Rihan	DATE	27/5/80

DWG 3

MOD. ROADY

ELECTRONIC COMPONENT LIST

Schem. Ref.	Circuit	Type	Part Code
POWER SUPPLY (DWG 1)			
P-816	Complete with Components		978002399
RT1	Voltage Regulator	7815	62110020
RT2	Voltage Regulator	7915	62110022
PD1-PD2	Rectifier Bridge	KBL04	66000006
PIANO-VIBES-BASS KEYBOARD (DWG 2)			
P-792	Complete with Components		978002371
D1-D98	Diodes	BA130	65000001
PIANO-VIBES-BASS ENVELOPE MODULES (DWG 2)			
P-793	Complete with Components		978002372
IC1 ÷ IC12	Dividers	NBF4727	68000041
IC13	T.O.S.	MK50240	68000009
IC14	Oscillator	74LS221	68000058
RT1	Voltage Regulator	7812	62110027
TR1	NPN Transistor	BC173B	62120001
DZ1	Diode Zener	ZPD5,1V	67000014
D1 ÷ D385	Diodes	1N482B	65000006
D160 ÷ D257	Diodes	BA130	65000001
FILTERS PIANO-BASS-VIBES-PERCUSSION (DWG 3)			
P-794	Complete with Components		978002373
IC3 ÷ IC17	Low noise op.-Amplifiers	1458N	68000107
IC1-IC2-IC12	Op.-Amplifiers	1458P	68000054
IC4-IC11	Op.-transconductance ampl.	CA3080	68000066
IC9	Quad Nand Gates	4011	68000034
IC18	Op.-Amplifiers	VA741	68000059
TR1 ÷ TR9	NPN transistors	BC173B	62120003
TR4 - TR6	PNP transistors	BC308	62210001
TR9	High Current transistor	BC286	62110002
D1	Diode	BA130	65000001
PIANO-VIBES-BASS SUSTAIN SWITCHES (DWG 3)			
P-795	Complete with Components		978002374
PIANO L-R-1-2-3 SWITCHES (DWG 3)			
P-811	Complete with Components		978002391

CRUMAR S.p.A.
60022 CASTELFIDARDO - ITALY
c/p 98
Tel. (071) 79033 / 34