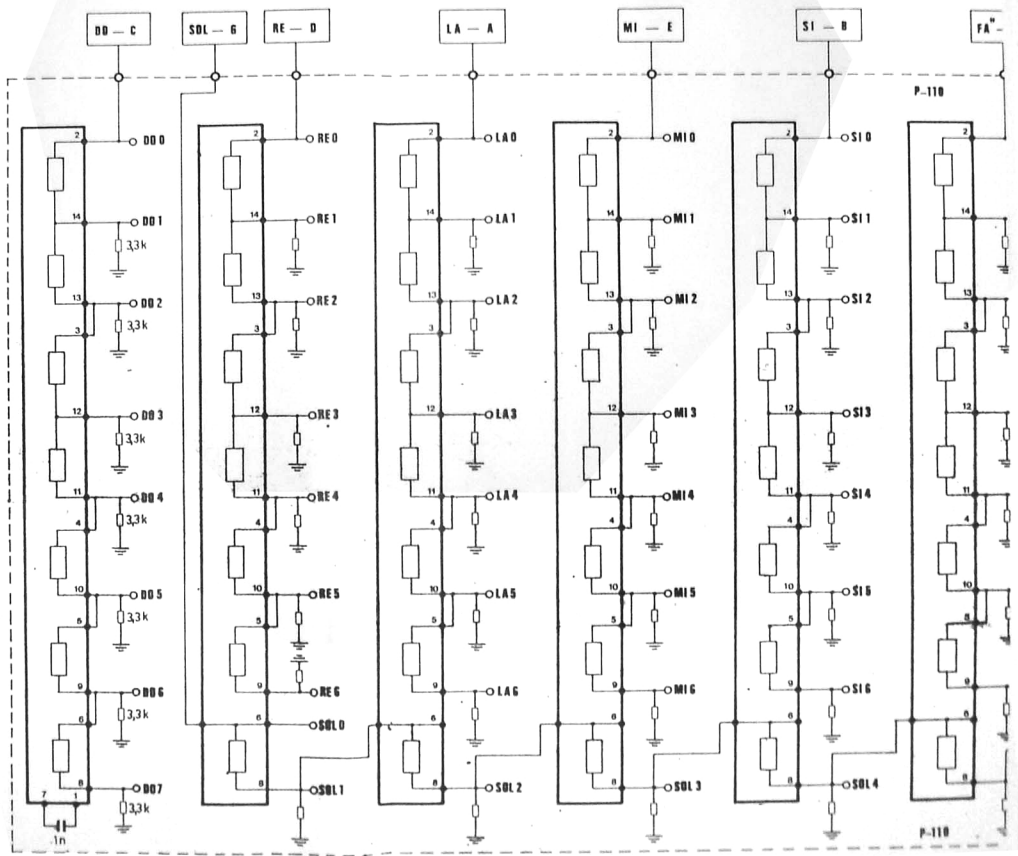


E	FREQ.	C1 (nf)	C2 (nf)	C3 (nf)
C*	2210	6.0	15	4.7
B	2340	6.0	15	4.7
D*	2400	5.6	12	3.0
E	2636	5.6	12	3.9
F	2794	5.6	12	3.0
F*	2960	4.7	8.2	3.3
H	3196	4.7	8.2	3.3
G*	3322	4.7	8.2	3.3
A	3520	3.3	6.0	2.7
A*	3729	3.3	6.0	2.7
B	3961	3.3	6.0	2.7
C	4166	3.3	12	4.7



P-110

P-110

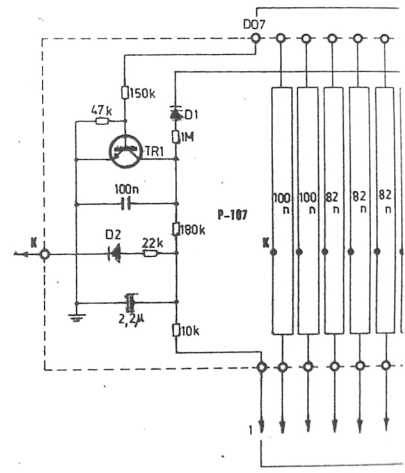
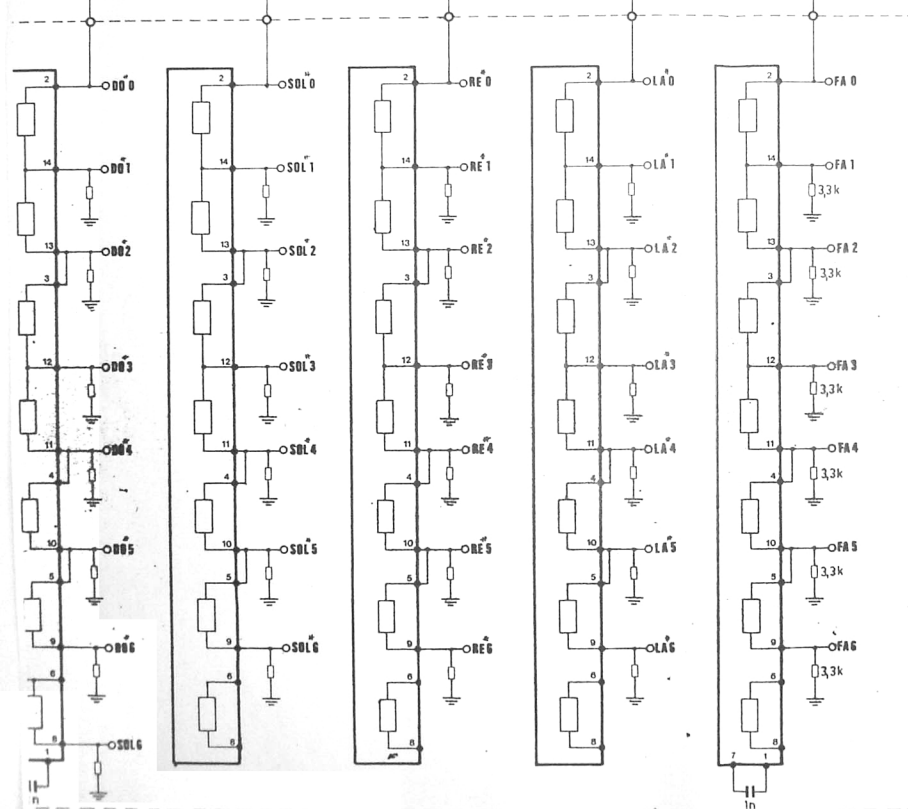
DO - C

SOL - 6

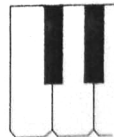
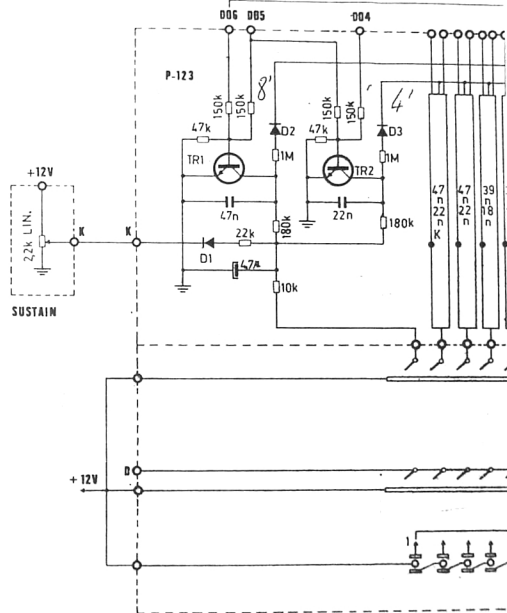
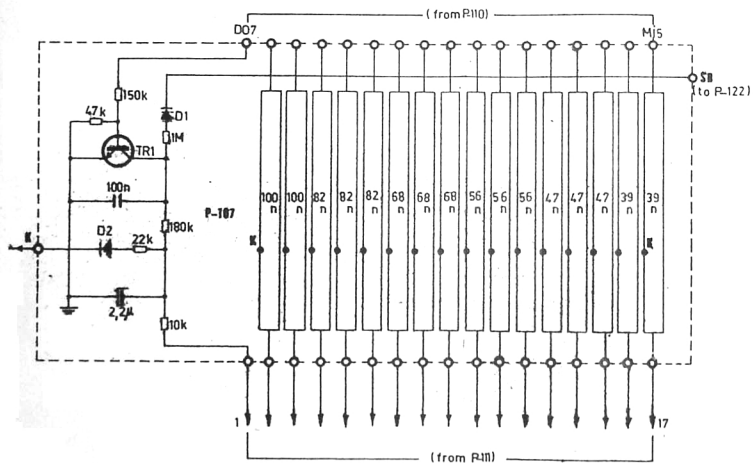
RE - D

LA - A

FA - F

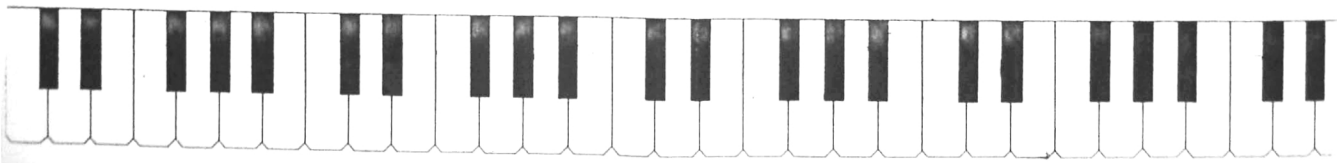
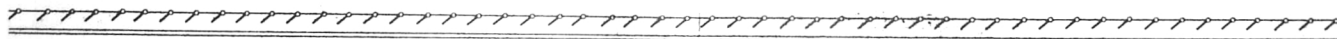
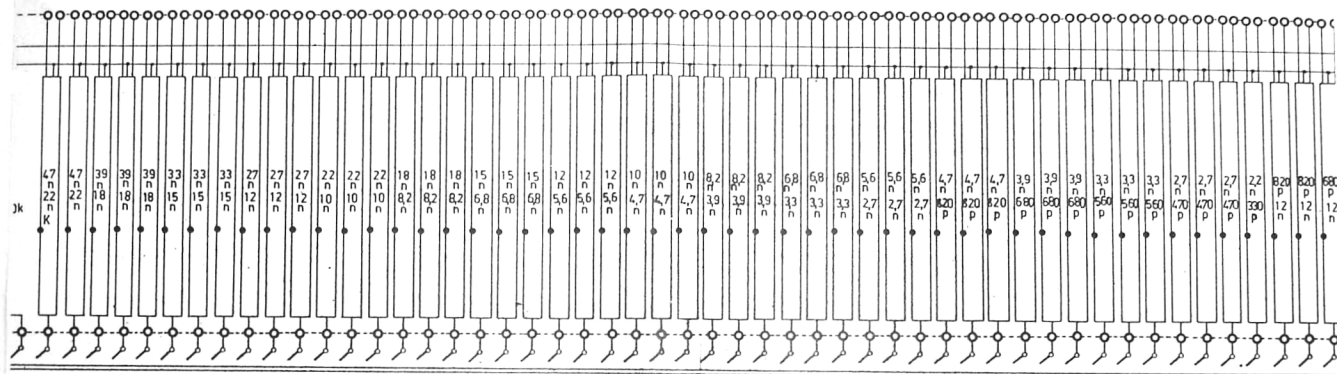


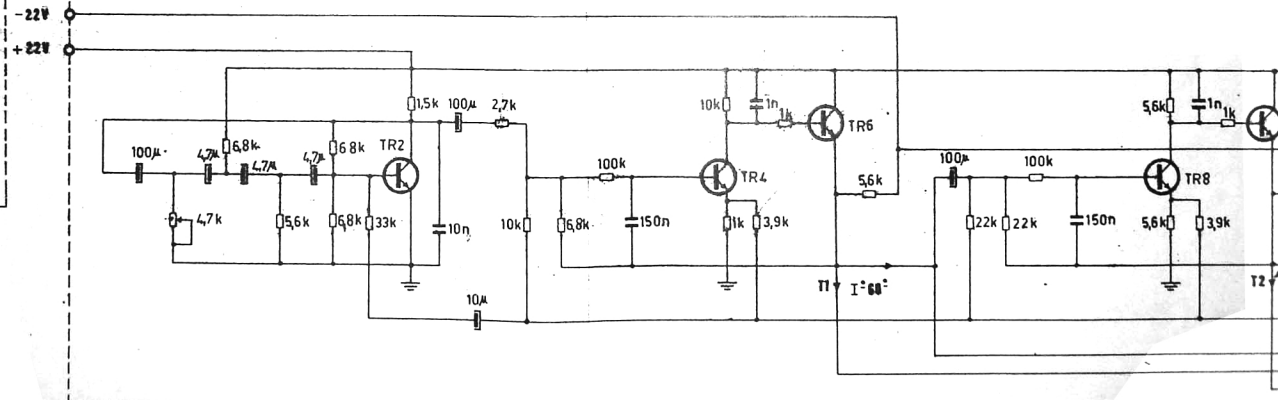
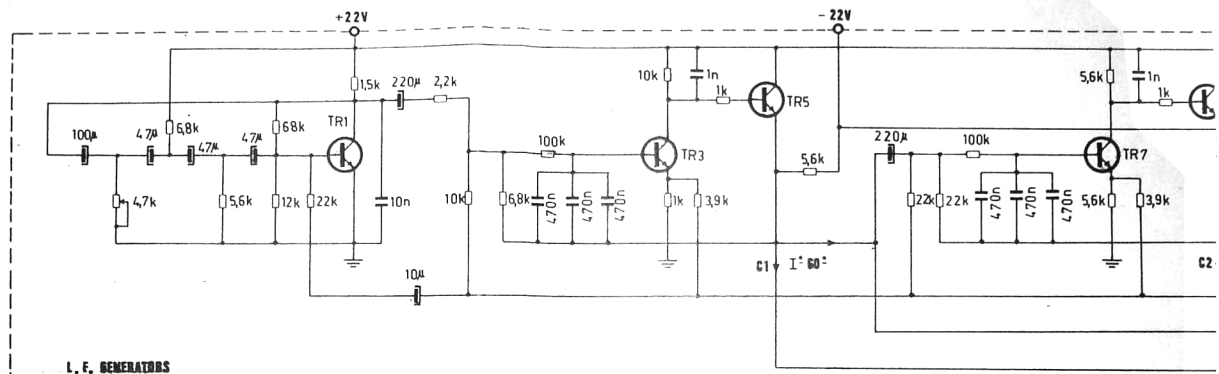
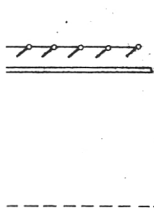
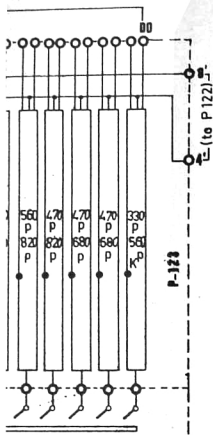
BASS GATES

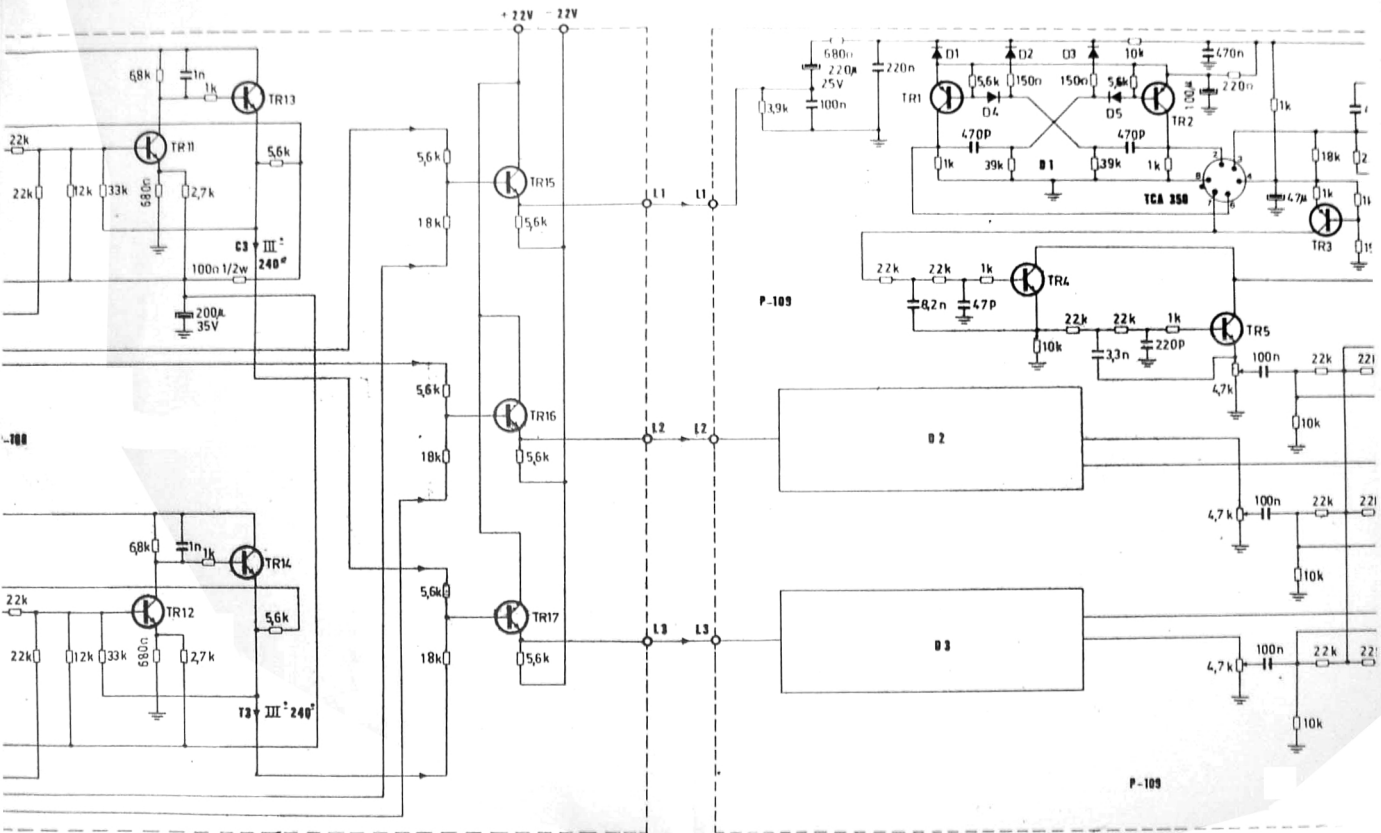


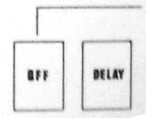
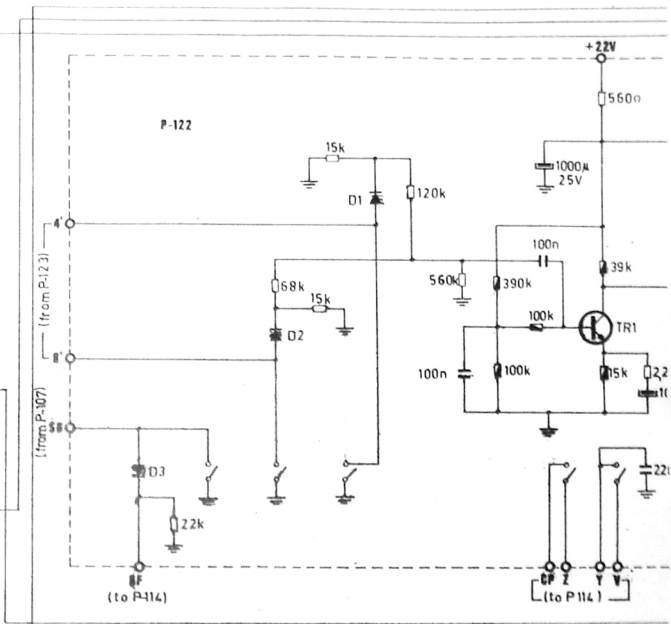
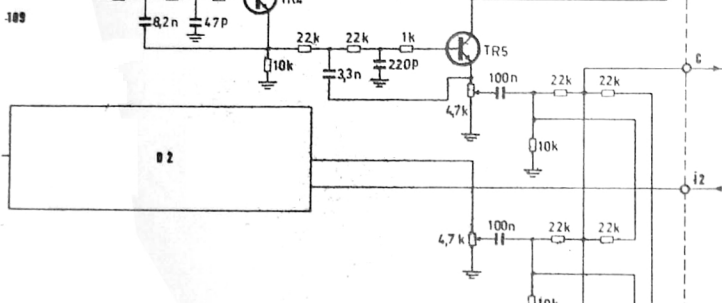
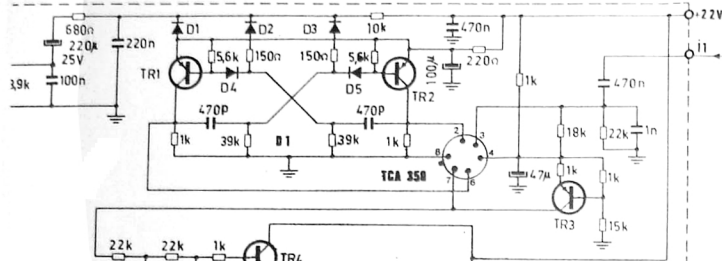
TREBLE GATES

(from P-110)





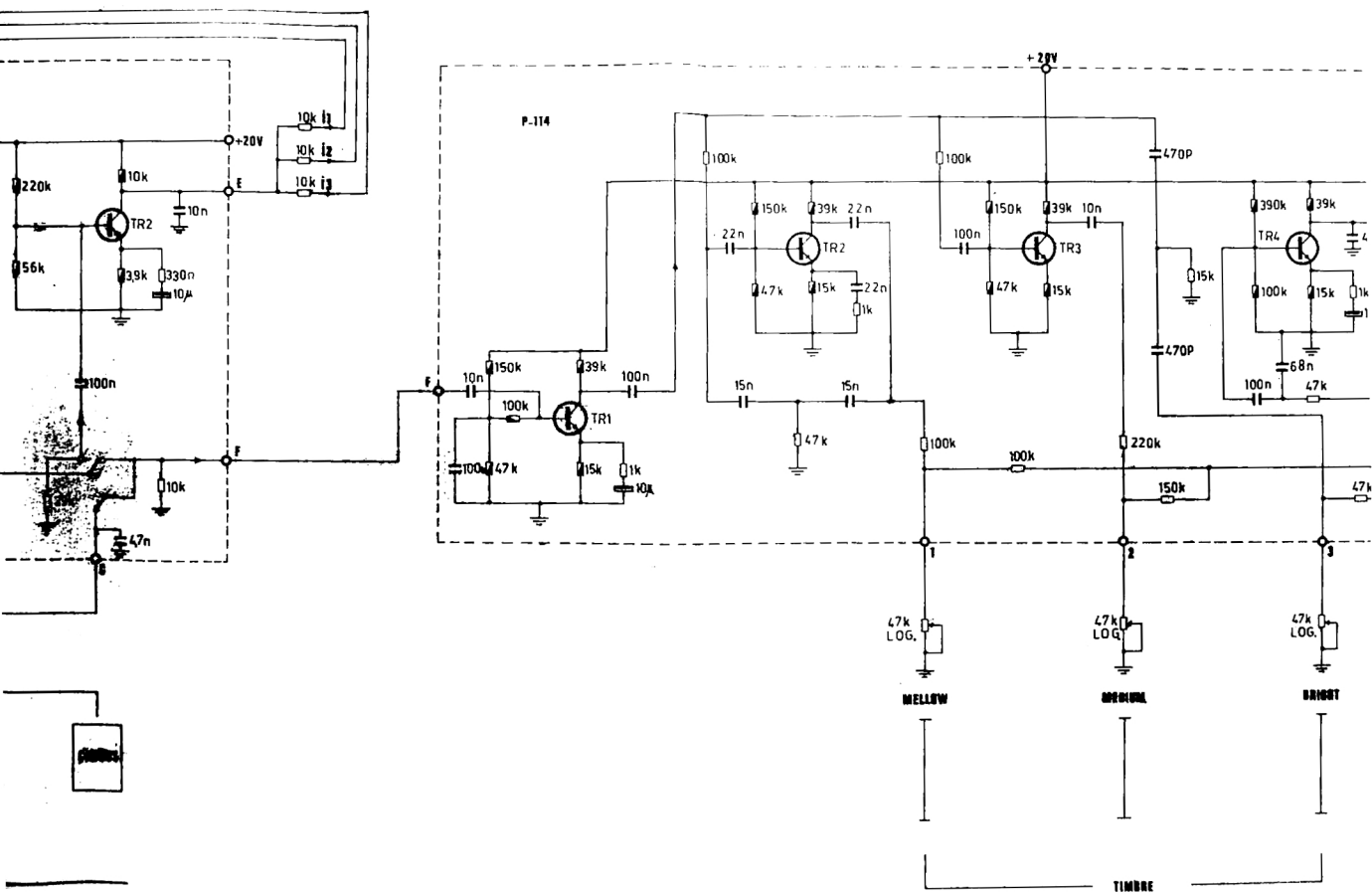


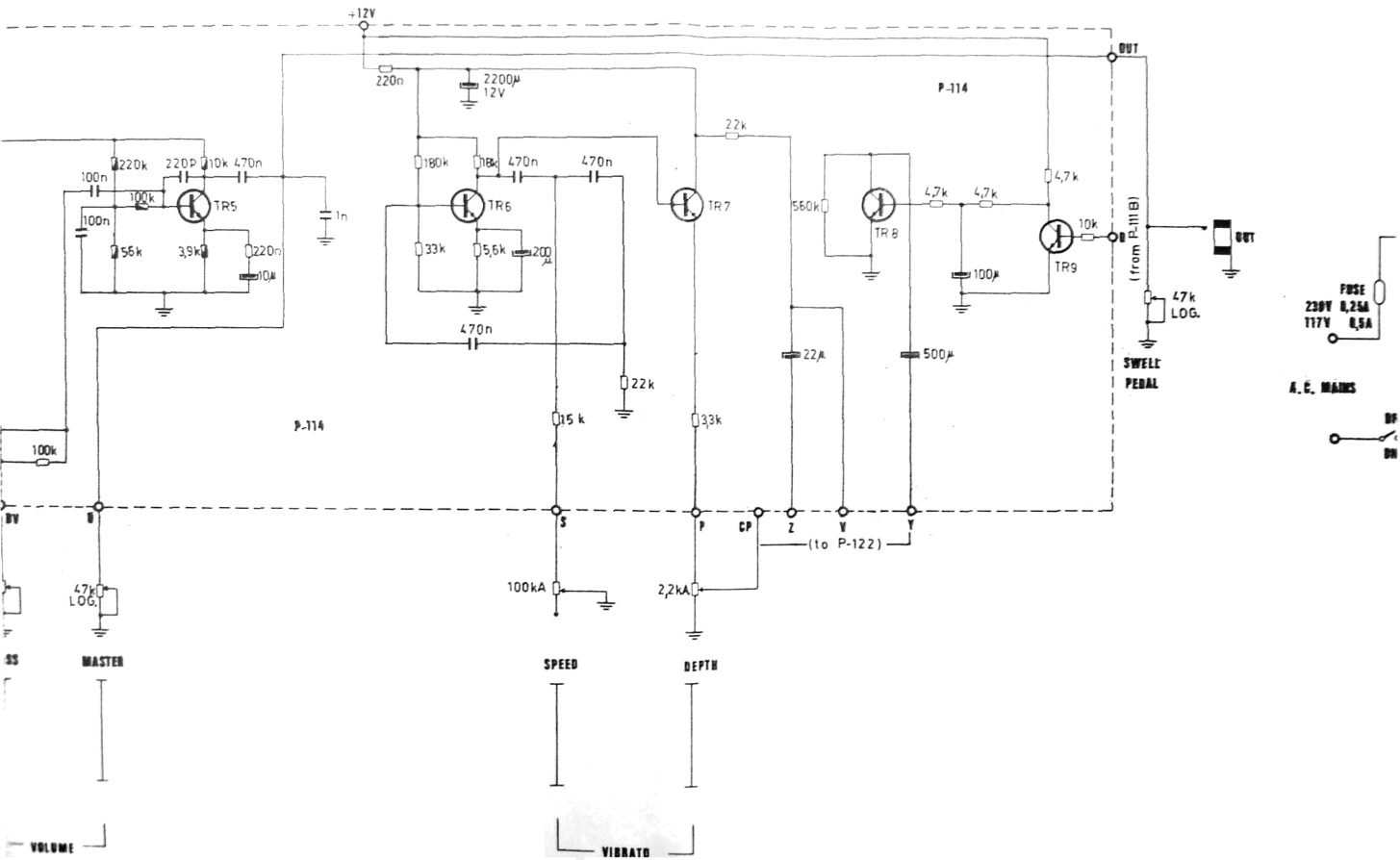


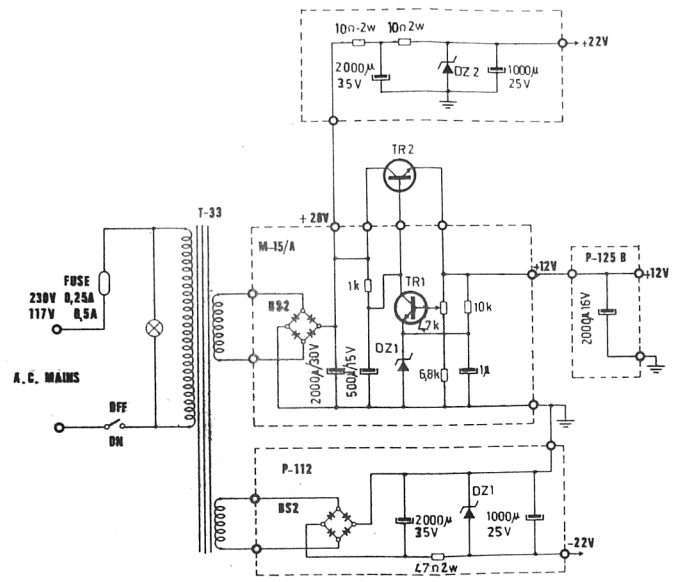
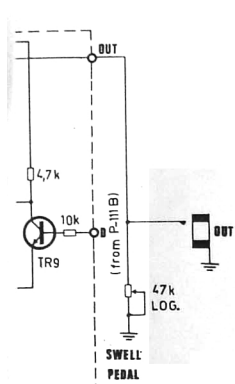
P-109

ON

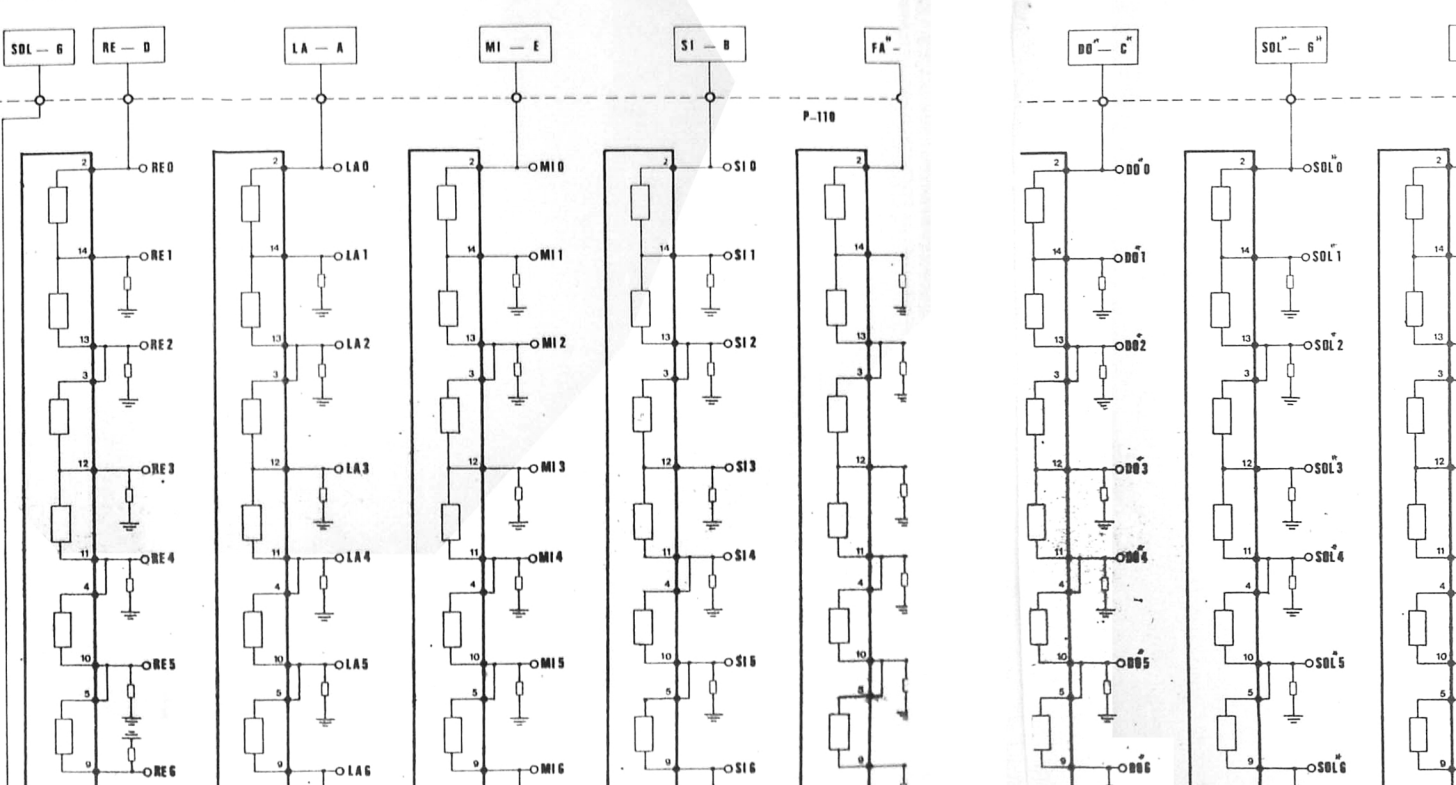
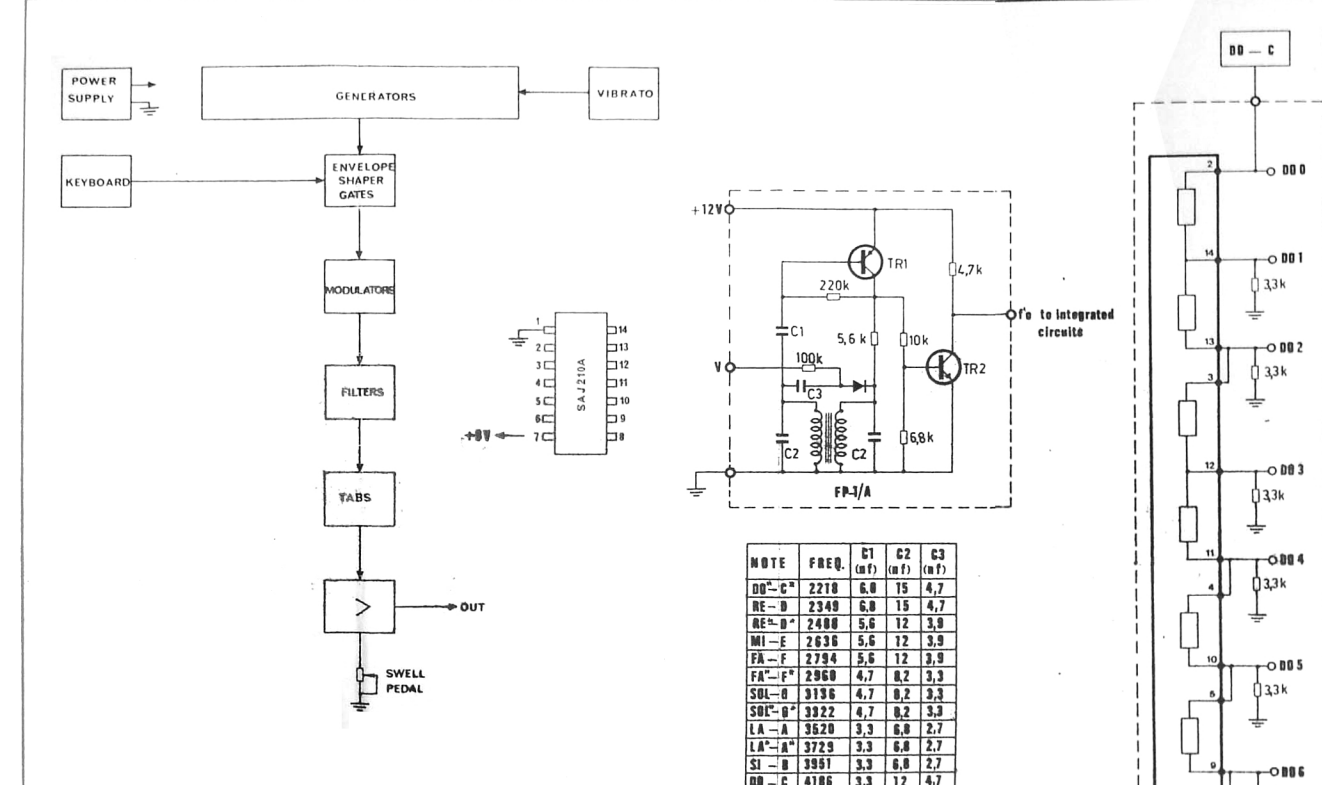
VIBRATE



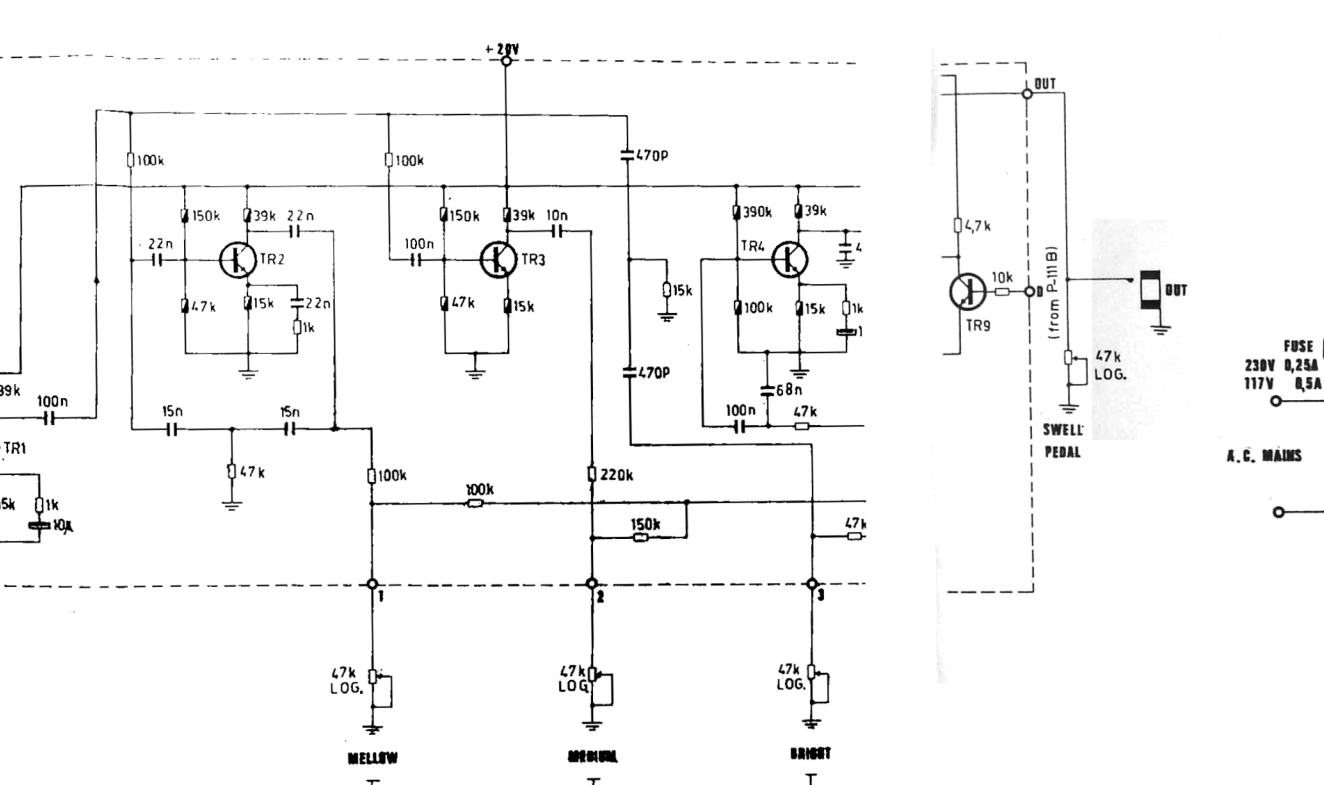
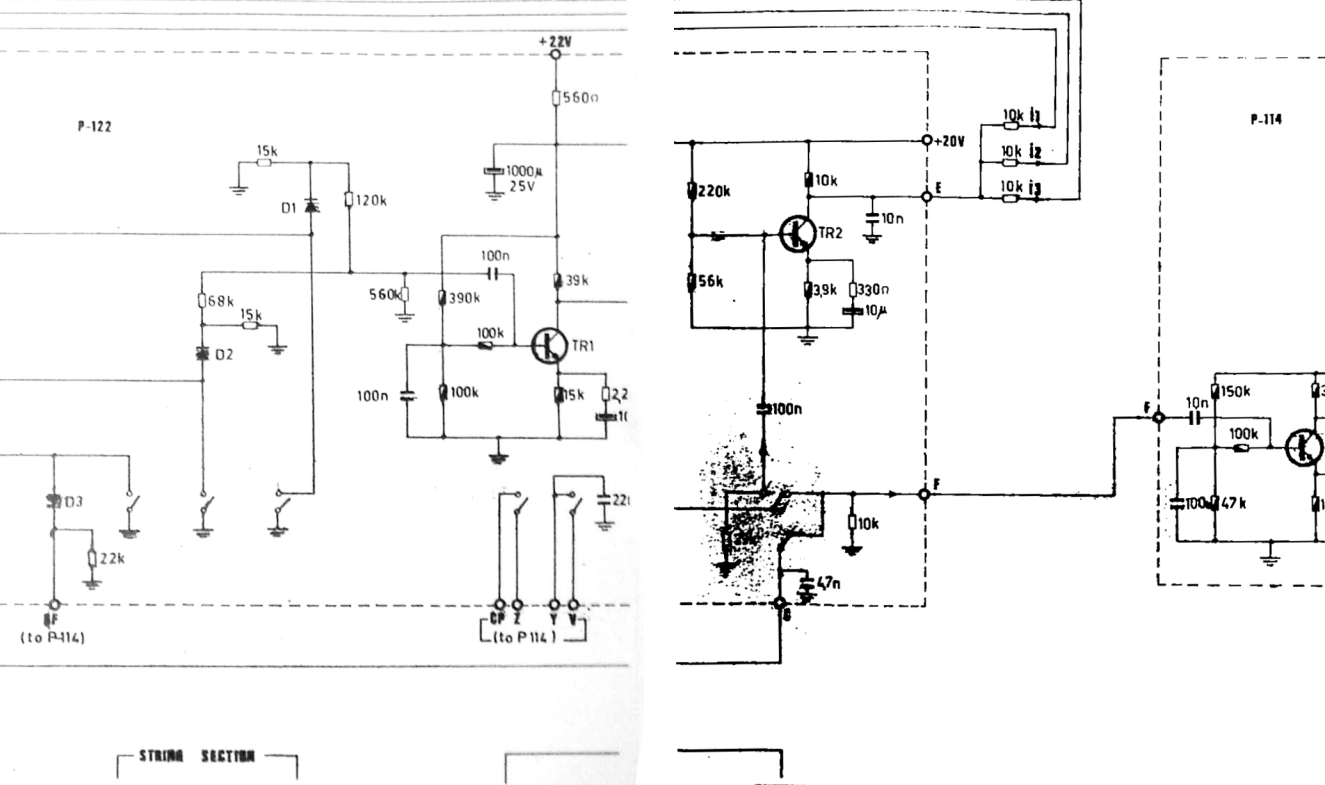
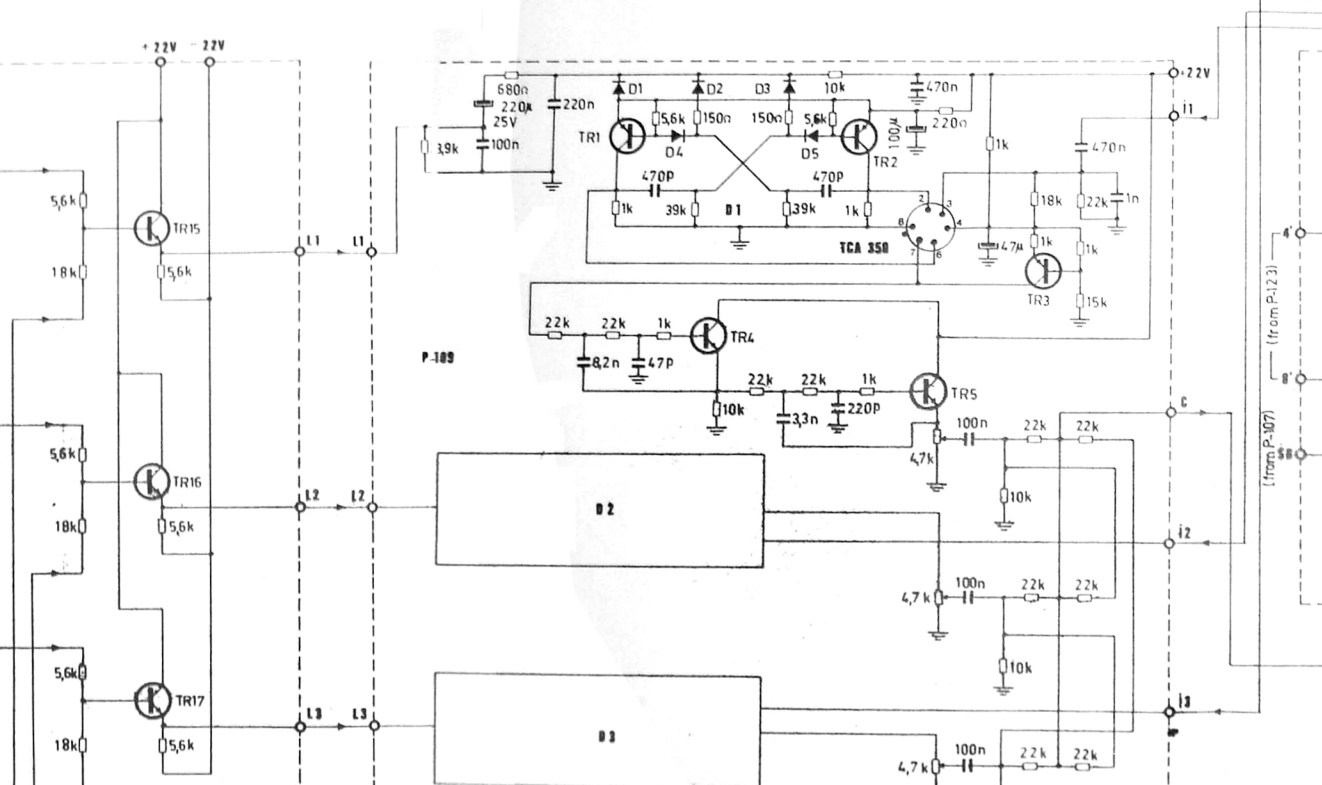
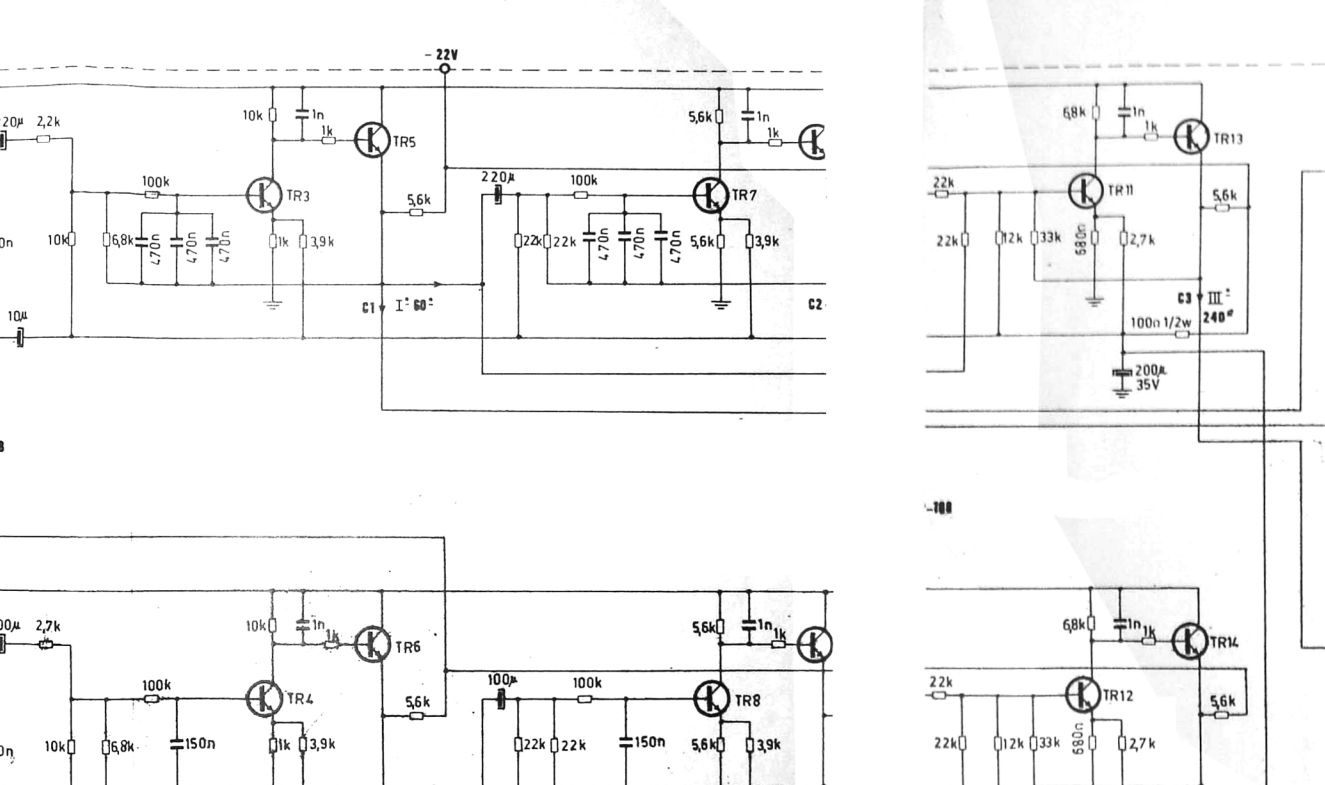
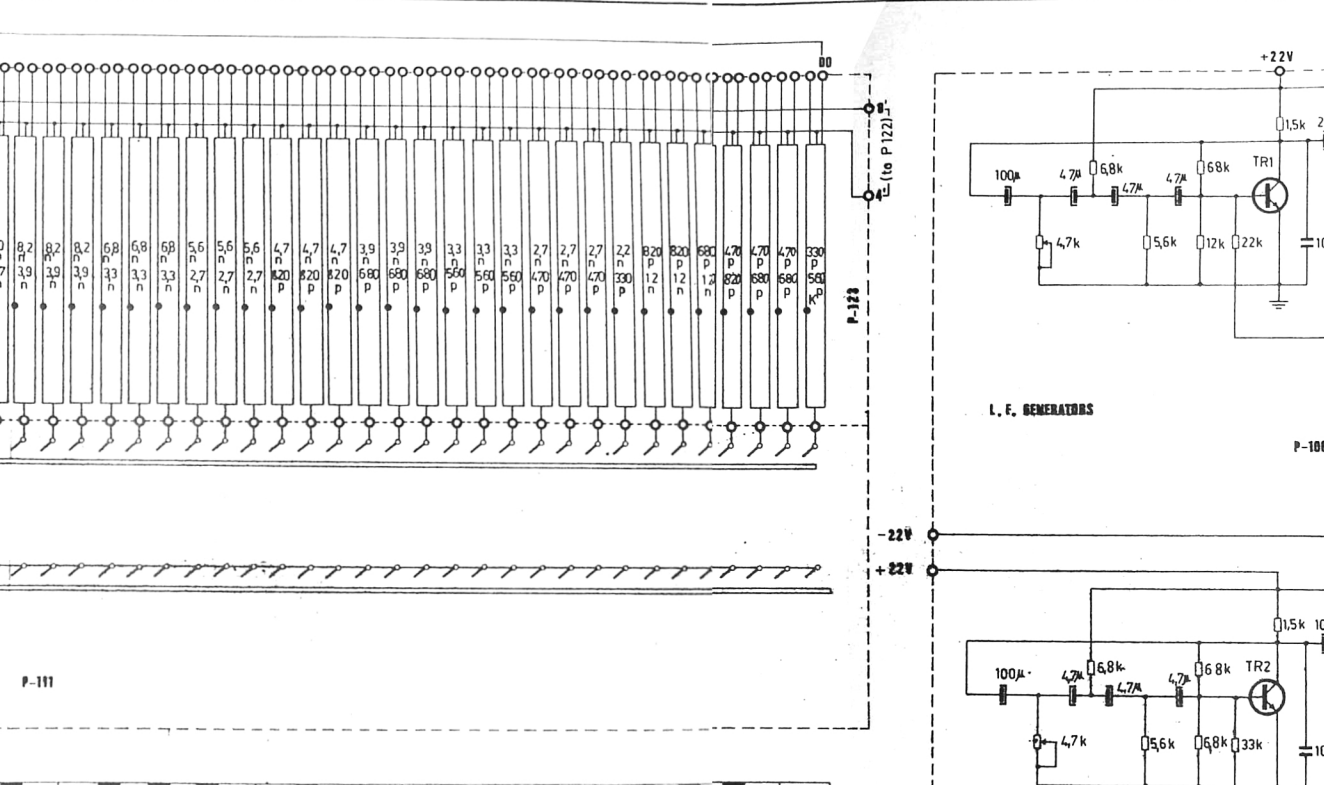
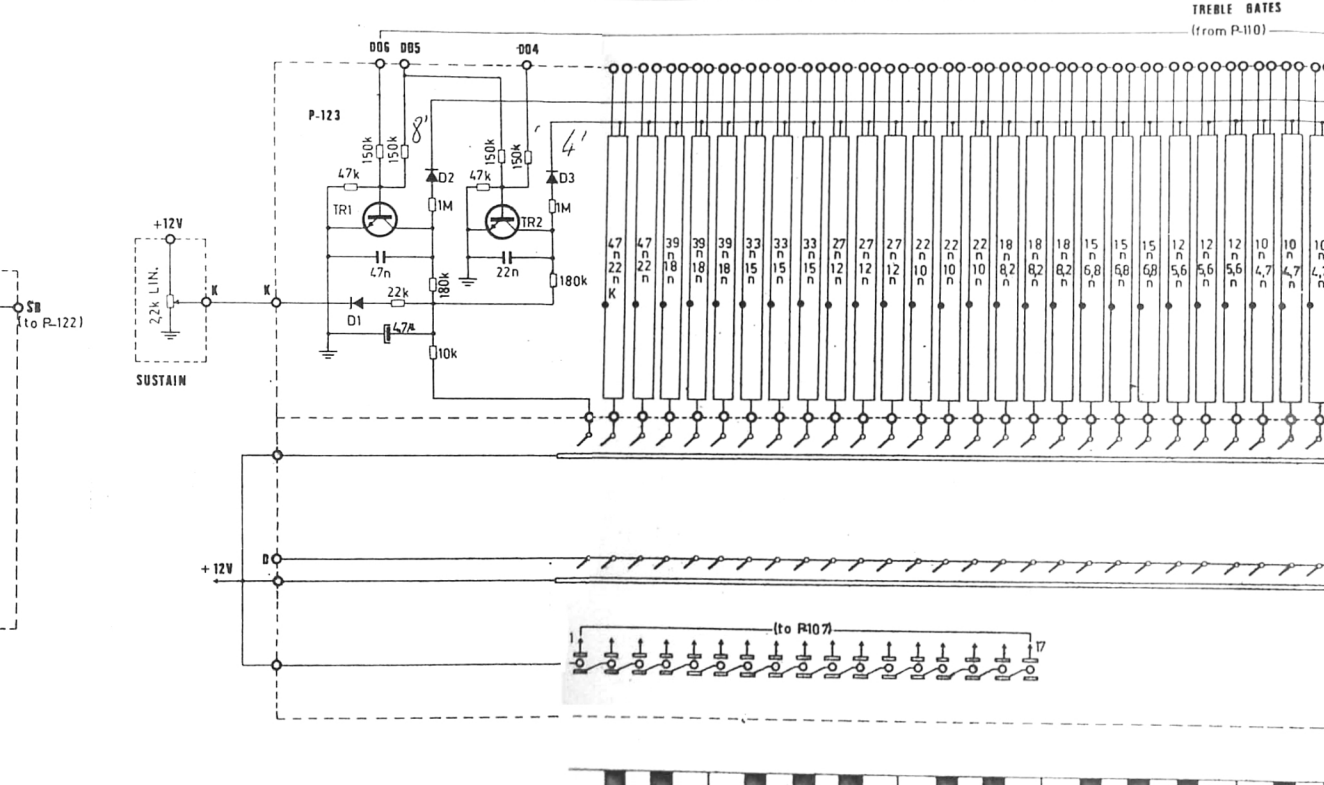
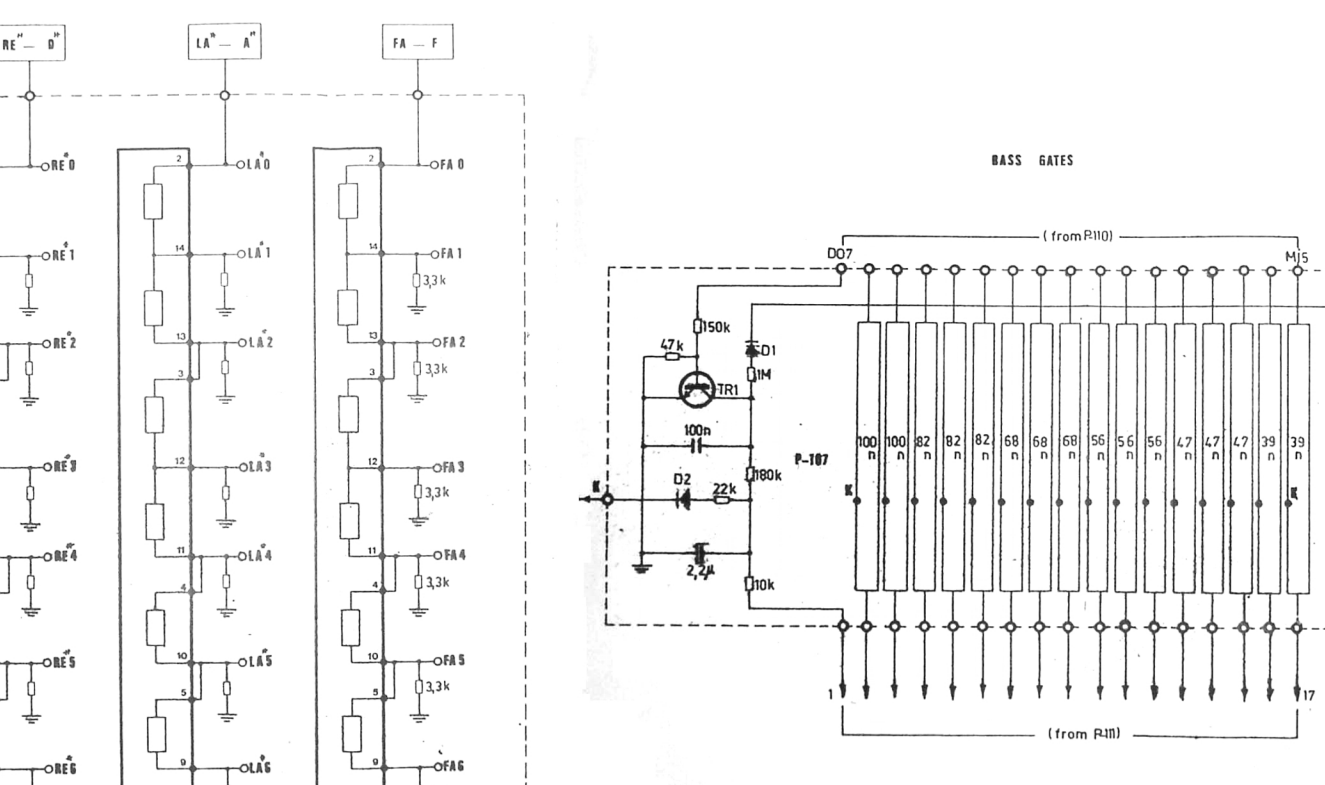




BOARD	REFERENCE	TYPE-N°
FP1/A	TR1	BC 204 MISTRAL
	TR2	SFT 714 MISTRAL
P-123	TR1 → TR122	SFT 714 MISTRAL
	D1 → D103	BA 130 S. G. S.
P-108	TR1 → TR17	BC 109C PHILIPS
P-109	TR1 → TR3	BC 204 MISTRAL
	TR4 → TR5	BC 109 B PHILIPS
P-122	D1 → D8	FDH500 FAIRCHILD
	TR1 → TR2	BC 109 B PHILIPS
	D1 → D3	BA 130 S. G. S.
P-114	TR1 → TR8	BC 109 B PHILIPS
P-112	DZ1 → DZ2	ZY 22 I. B.
M 16/A	TR1	BC 115 S. G. S.
	TR2	2N3055 N.C.A.
P-107	DZ1	1W5608 I. B.
	TR1 → TR17	SFT 714 MISTRAL
	D1 → D54	BA 130 S. G. S.



NOTE	FREQ.	G1	G2	G3
	(Hz)	(dB)	(dB)	(dB)
BB-C	2218	6.8	15	4.7
RE-D	2348	6.8	15	4.7
MI-E	2488	5.6	12	3.8
MI-E	2488	5.6	12	3.8
FA-F	2784	5.6	12	3.8
MI-E	2818	4.7	12	3.8
SBL-E	3322	4.7	12	3.8
LA-A	3510	3.3	8.2	2.7
LA-A	3510	3.3	8.2	2.7
SI-B	3591	3.3	8.2	2.7
BB-C	4186	3.3	12	4.7



BOARD	REFERENCE	TYPE-N°
FP1/A	TR1	BC 204
	TR2	SFT 776
	TR3	SFT 774
P-123	TR1 - TR12	MISTRAL
	TR1 - TR13	BC 183
	TR1 - TR17	BC 185
P-108	TR1 - TR3	BC 184
P-109	TR4 - TR5	BC 189
	TR1 - TR2	BC 185
	TR1 - TR2	BC 185
P-122	TR1 - TR3	BC 184
	TR1 - TR2	BC 185
	TR1 - TR2	BC 185
P-114	TR1 - TR3	BC 184
P-115	TR1 - TR2	BC 185
FP 1/A	TR1	2N3858
	TR2	2N3858
	TR3	2N3858
	TR4	2N3858
	TR5	2N3858
	TR6	2N3858
	TR7	2N3858
	TR8	2N3858
	TR9	2N3858
	TR10	2N3858
	TR11	2N3858
	TR12	2N3858
	TR13	2N3858
	TR14	2N3858
	TR15	2N3858
	TR16	2N3858
	TR17	2N3858
	TR18	2N3858
	TR19	2N3858
	TR20	2N3858
	TR21	2N3858
	TR22	2N3858
	TR23	2N3858
	TR24	2N3858
	TR25	2N3858
	TR26	2N3858
	TR27	2N3858
	TR28	2N3858
	TR29	2N3858
	TR30	2N3858
	TR31	2N3858
	TR32	2N3858
	TR33	2N3858
	TR34	2N3858
	TR35	2N3858
	TR36	2N3858
	TR37	2N3858
	TR38	2N3858
	TR39	2N3858
	TR40	2N3858
	TR41	2N3858
	TR42	2N3858
	TR43	2N3858
	TR44	2N3858
	TR45	2N3858
	TR46	2N3858
	TR47	2N3858
	TR48	2N3858
	TR49	2N3858
	TR50	2N3858
	TR51	2N3858
	TR52	2N3858
	TR53	2N3858
	TR54	2N3858
	TR55	2N3858
	TR56	2N3858
	TR57	2N3858
	TR58	2N3858
	TR59	2N3858
	TR60	2N3858
	TR61	2N3858
	TR62	2N3858
	TR63	2N3858
	TR64	2N3858
	TR65	2N3858
	TR66	2N3858
	TR67	2N3858
	TR68	2N3858
	TR69	2N3858
	TR70	2N3858
	TR71	2N3858
	TR72	2N3858
	TR73	2N3858
	TR74	2N3858
	TR75	2N3858
	TR76	2N3858
	TR77	2N3858
	TR78	2N3858
	TR79	2N3858
	TR80	2N3858
	TR81	2N3858
	TR82	2N3858
	TR83	2N3858
	TR84	2N3858
	TR85	2N3858
	TR86	2N3858
	TR87	2N3858
	TR88	2N3858
	TR89	2N3858
	TR90	2N3858
	TR91	2N3858
	TR92	2N3858
	TR93	2N3858
	TR94	2N3858
	TR95	2N3858
	TR96	2N3858
	TR97	2N3858
	TR98	2N3858
	TR99	2N3858
	TR100	2N3858

CRUMAR s.p.a.
Castelfidardo ITALIA

MODEL STRINGMAN

SCALE

DATE 1965-76

DESIGNED BY

DRAWN BY