

**SCHEMATIC  
DIAGRAM**

**CRUMAR<sup>®</sup>**

*Musical Instruments*

**mod.  
trilogy**



FEMALE CONNECTOR SYMBOL (es. J 2/1)



PLUG IN CONNECTOR SYMBOL



WIRE SOLDERING POINT



TEST POINT ( T P... )



CONNECTING POINT ( ON p.c.b. )



METALLIC FILM RESISTOR 1%

**ALL resistors 1/4w unless otherwise indicated**

**ALL tab switches shown in OFF position**

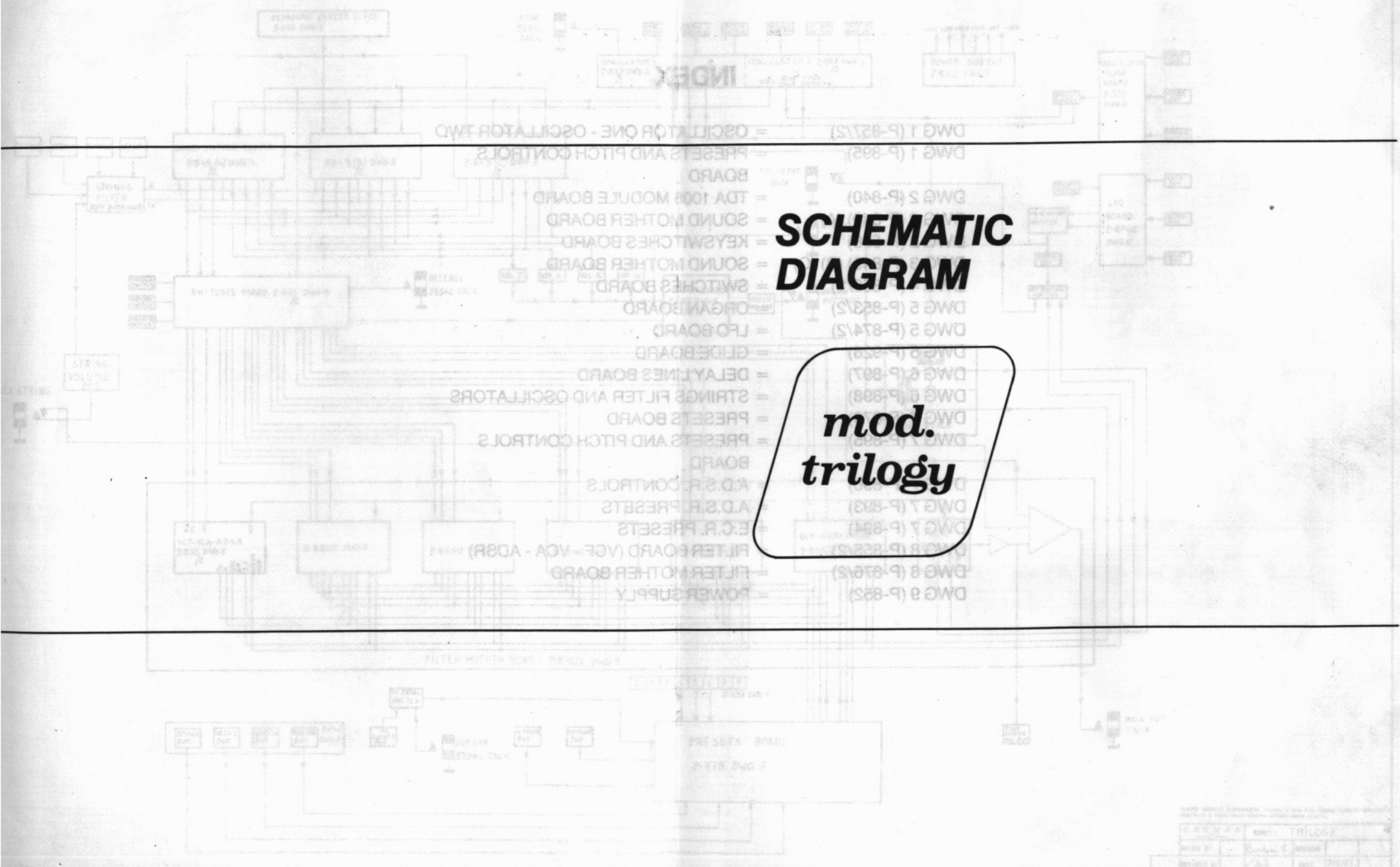
**ALL key switches shown in OFF position**

**See part list for component part numbers**

**CRUMAR RESERVES THE RIGHT TO CHANGE  
SPECIFICATIONS AND DESIGNS, WITHOUT  
NOTICE AND LIABILITY.**



BLOCK AND WIRING DIAGRAM



**SCHEMATIC  
DIAGRAM**

*mod.  
trilogy*

|           |        |        |        |
|-----------|--------|--------|--------|
| TRILOGY   |        |        |        |
| C. R. ... | M. ... | M. ... | M. ... |
| M. ...    | M. ... | M. ... | M. ... |
| M. ...    | M. ... | M. ... | M. ... |

## INDEX

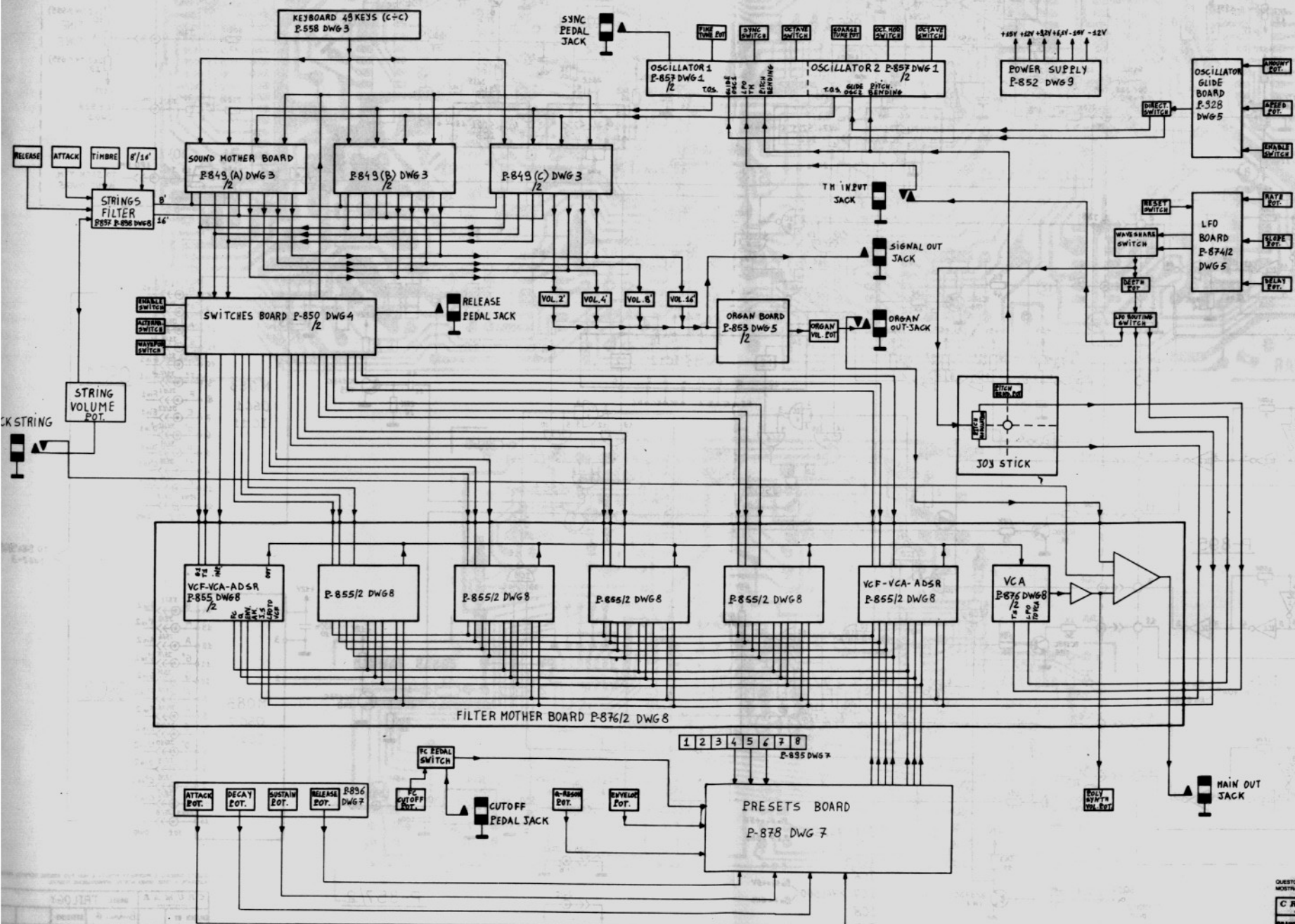
|                       |                                    |
|-----------------------|------------------------------------|
| DWG 1 (P-857/2)       | = OSCILLATOR ONE - OSCILLATOR TWO  |
| DWG 1 (P-895)         | = PRESETS AND PITCH CONTROLS BOARD |
| DWG 2 (P-840)         | = TDA 1008 MODULE BOARD            |
| DWG 2 (P-849) (A)     | = SOUND MOTHER BOARD               |
| DWG 2 (P-558)         | = KEYSWITCHES BOARD                |
| DWG 3 (P-849) (B) (C) | = SOUND MOTHER BOARD               |
| DWG 4 (P-850/2)       | = SWITCHES BOARD                   |
| DWG 5 (P-853/2)       | = ORGAN BOARD                      |
| DWG 5 (P-874/2)       | = LFO BOARD                        |
| DWG 5 (P-928)         | = GLIDE BOARD                      |
| DWG 6 (P-897)         | = DELAY LINES BOARD                |
| DWG 6 (P-898)         | = STRINGS FILTER AND OSCILLATORS   |
| DWG 7 (P-878)         | = PRESETS BOARD                    |
| DWG 7 (P-895)         | = PRESETS AND PITCH CONTROLS BOARD |
| DWG 7 (P-896)         | = A.D.S.R. CONTROLS                |
| DWG 7 (P-893)         | = A.D.S.R. PRESETS                 |
| DWG 7 (P-894)         | = E.C.R. PRESETS                   |
| DWG 8 (P-855/2)       | = FILTER BOARD (VCF - VCA - ADSR)  |
| DWG 8 (P-876/2)       | = FILTER MOTHER BOARD              |
| DWG 9 (P-852)         | = POWER SUPPLY                     |

See part list for component part numbers

CRONOS RESERVES THE RIGHT TO CHANGE SPECIFICATIONS AND DESIGNS, WITHOUT NOTICE AND LIABILITY.

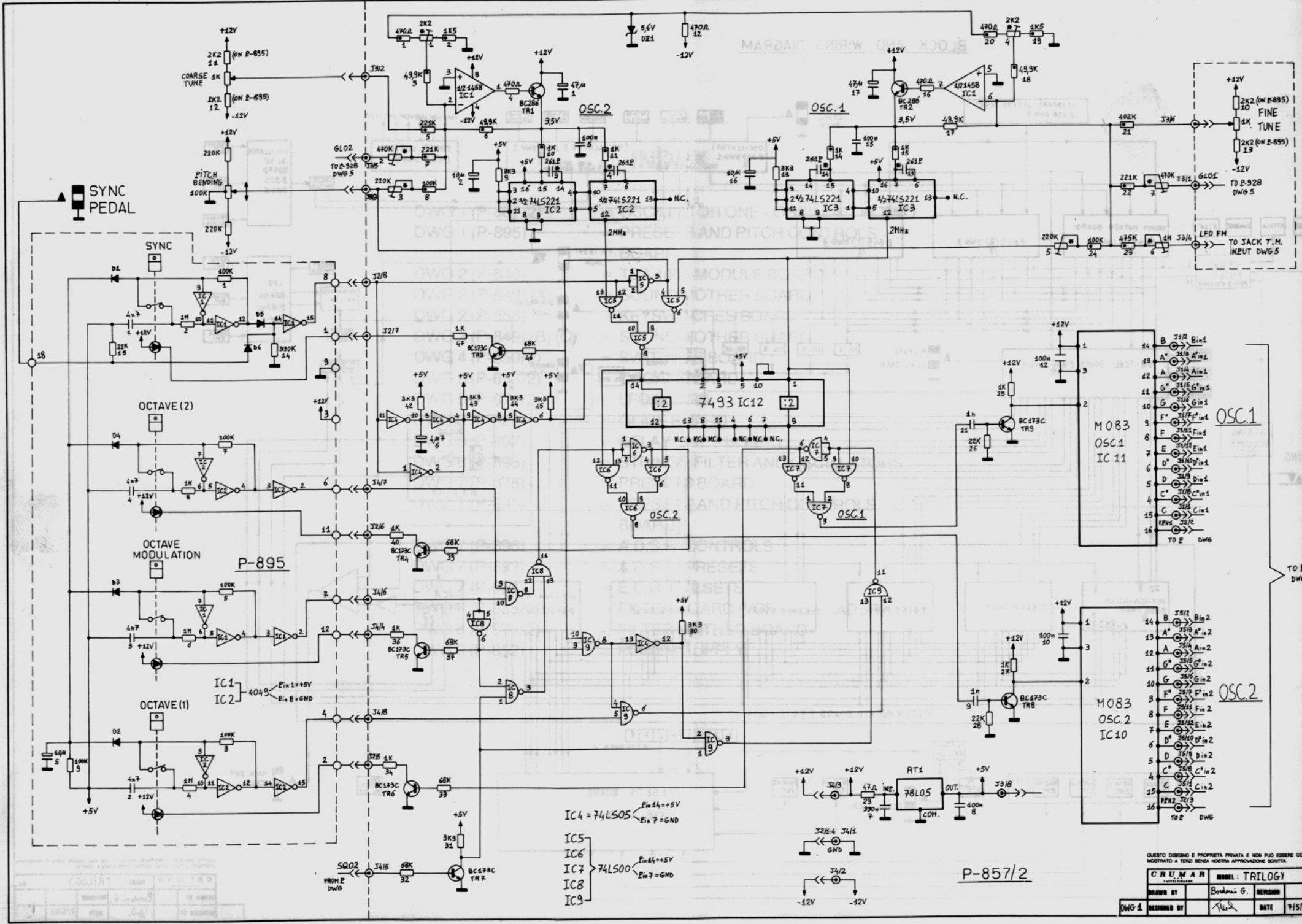


# BLOCK AND WIRING DIAGRAM



QUESTO DISEGNO È PROPRIETÀ PRIVATA E NON PUÒ ESSERE COPIATO RIPPRODOTTO  
 MOSTRATO A TERZI SENZA NOSTRA APPROVAZIONE SCRITTA.

|                             |                 |
|-----------------------------|-----------------|
| CRUMAR                      | MODEL: TRIOLOGY |
| DRAWN BY: <i>Bordani G.</i> | REVISION:       |
| DESIGNED BY: <i>...</i>     | DATE: 7/5/81    |



COARSE TUNE  
FINE TUNE

SYNC PEDAL

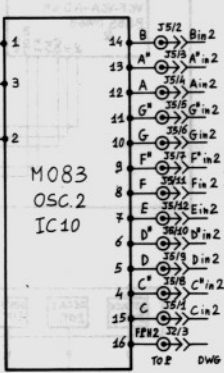
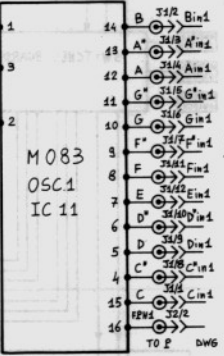
OCTAVE (2)

OCTAVE MODULATION

OCTAVE (1)

IC4 = 74LS05  
IC5  
IC6  
IC7 = 74LS00  
IC8  
IC9

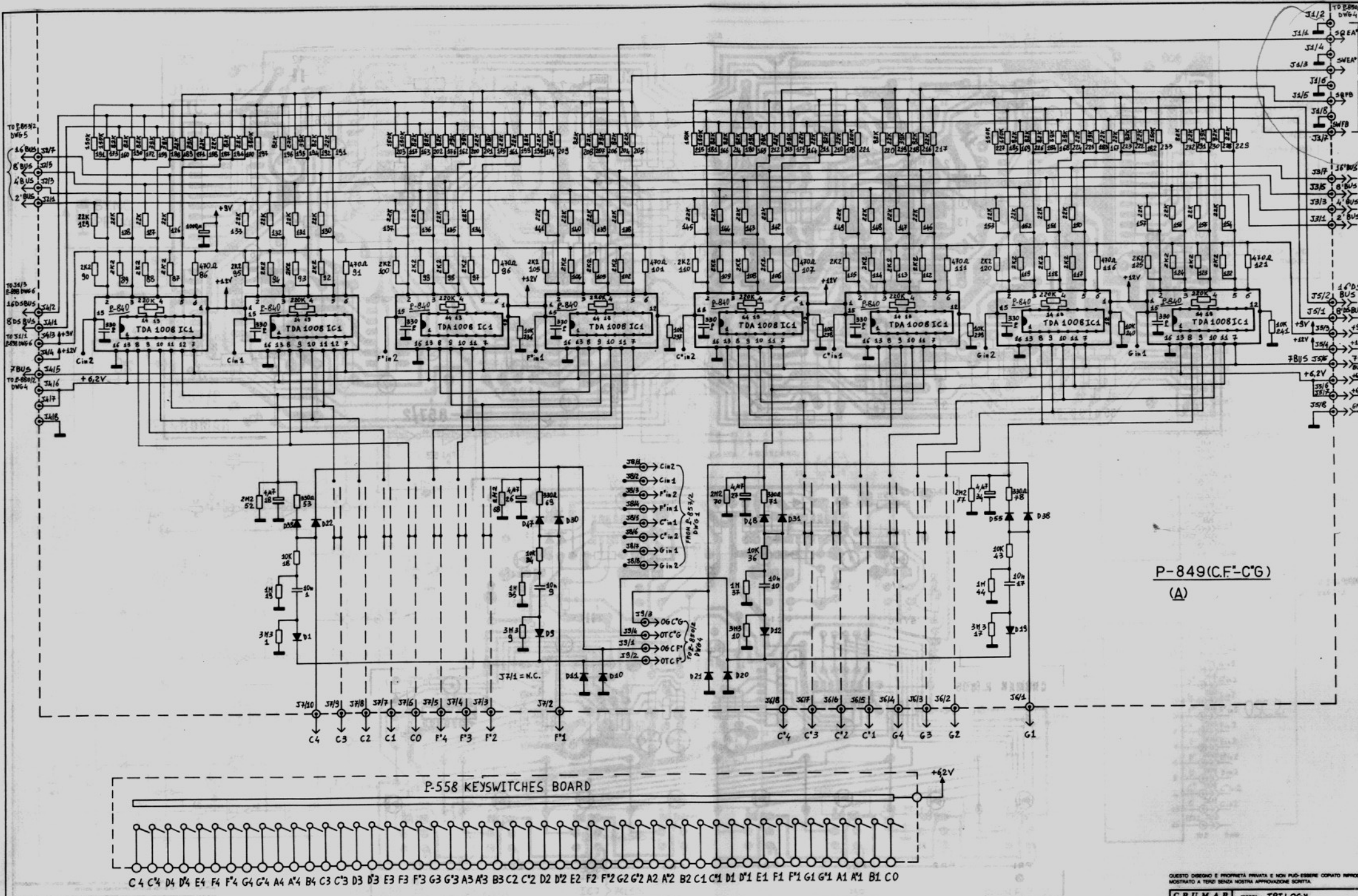
P-857/2



QUESTO DISEGNO È PROPRIETÀ PRIVATA E NON PUÒ ESSERE COPIATO, RIPRODOTTO, O TRASMESO IN QUALSIASI MODO SENZA NOSTRA APPROVAZIONE SCRITTA.

|                             |                |
|-----------------------------|----------------|
| CRUMAR                      | MODEL: TRILOGY |
| DRAWN BY: <i>Bordani G.</i> | REVISION:      |
| DESIGNED BY: <i>...</i>     | DATE: 7/51     |

DWG.1



P-849(C.F'-C'G)  
(A)

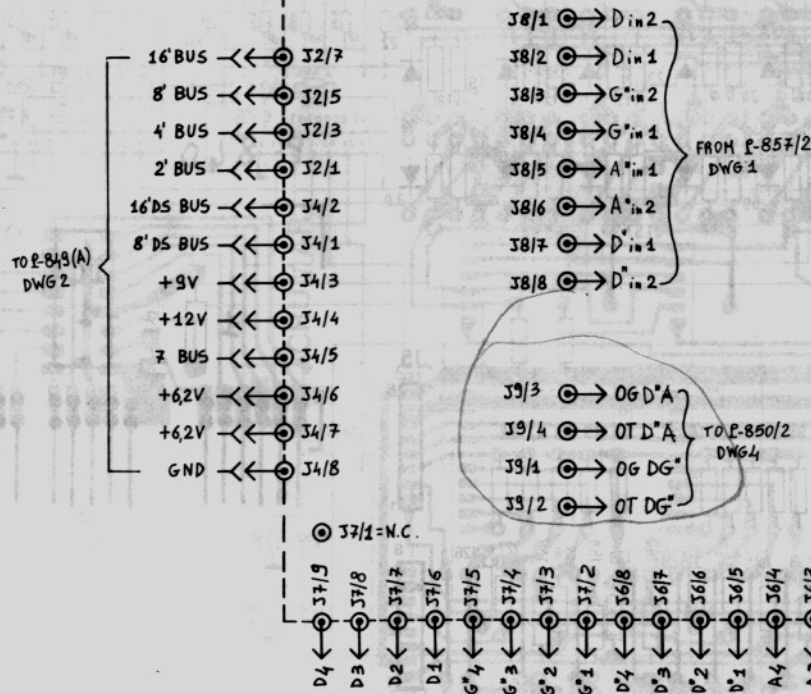
QUESTO DISEGNO È PROPRIETÀ PRIVATA E NON PUÒ ESSERE COPiato NEMMENO MOSTRATO A TERZI SENZA NOSTRA APPROVAZIONE SCRITTA.

|          |          |                |  |
|----------|----------|----------------|--|
| CRUMAR   |          | MODEL: TRILOGY |  |
| DRAWN BY | REVISION | DATE           |  |
| DWG2     |          | 7/5/81         |  |



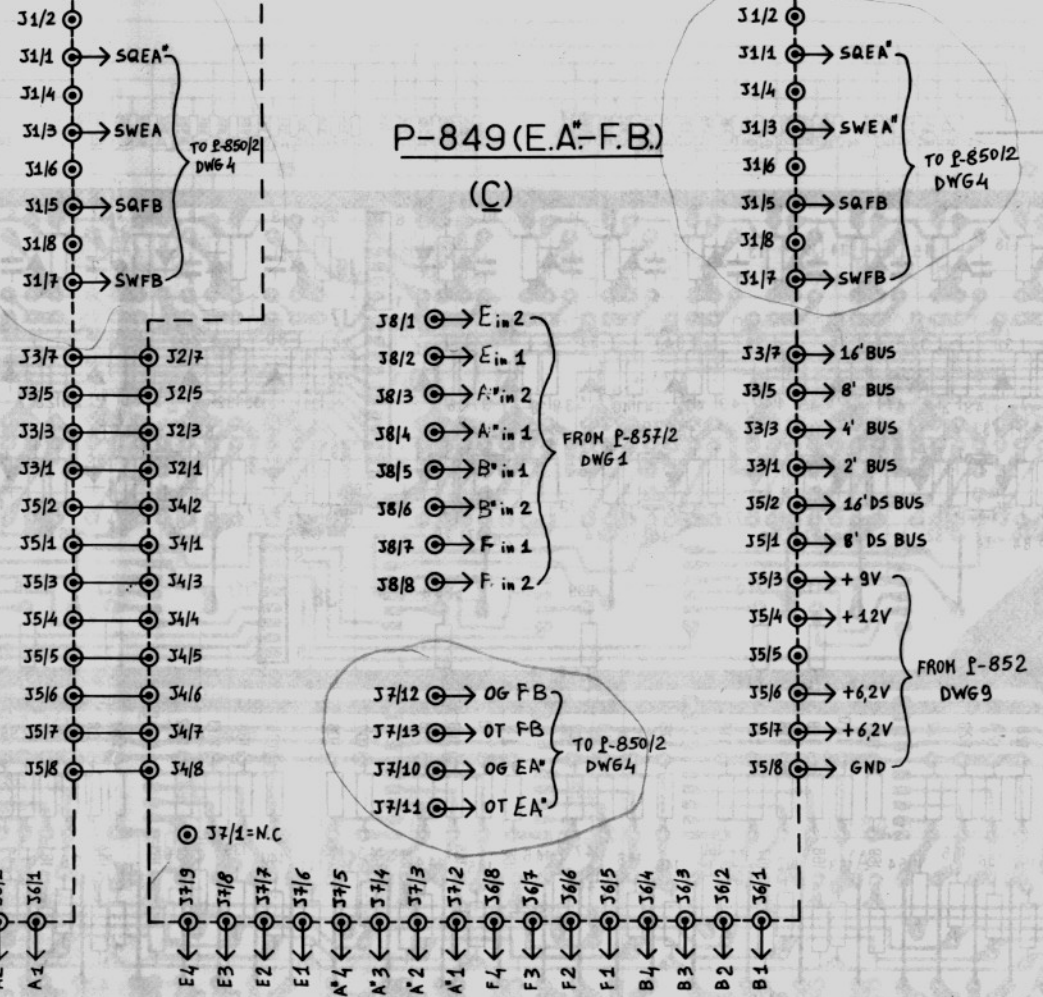
**P-849 (D.G.-D.A.)**

(B)

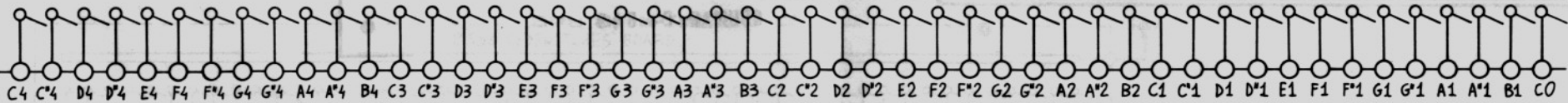


**P-849 (E.A\*-F.B.)**

(C)



**P-558 KEYSWITCHES BOARD**

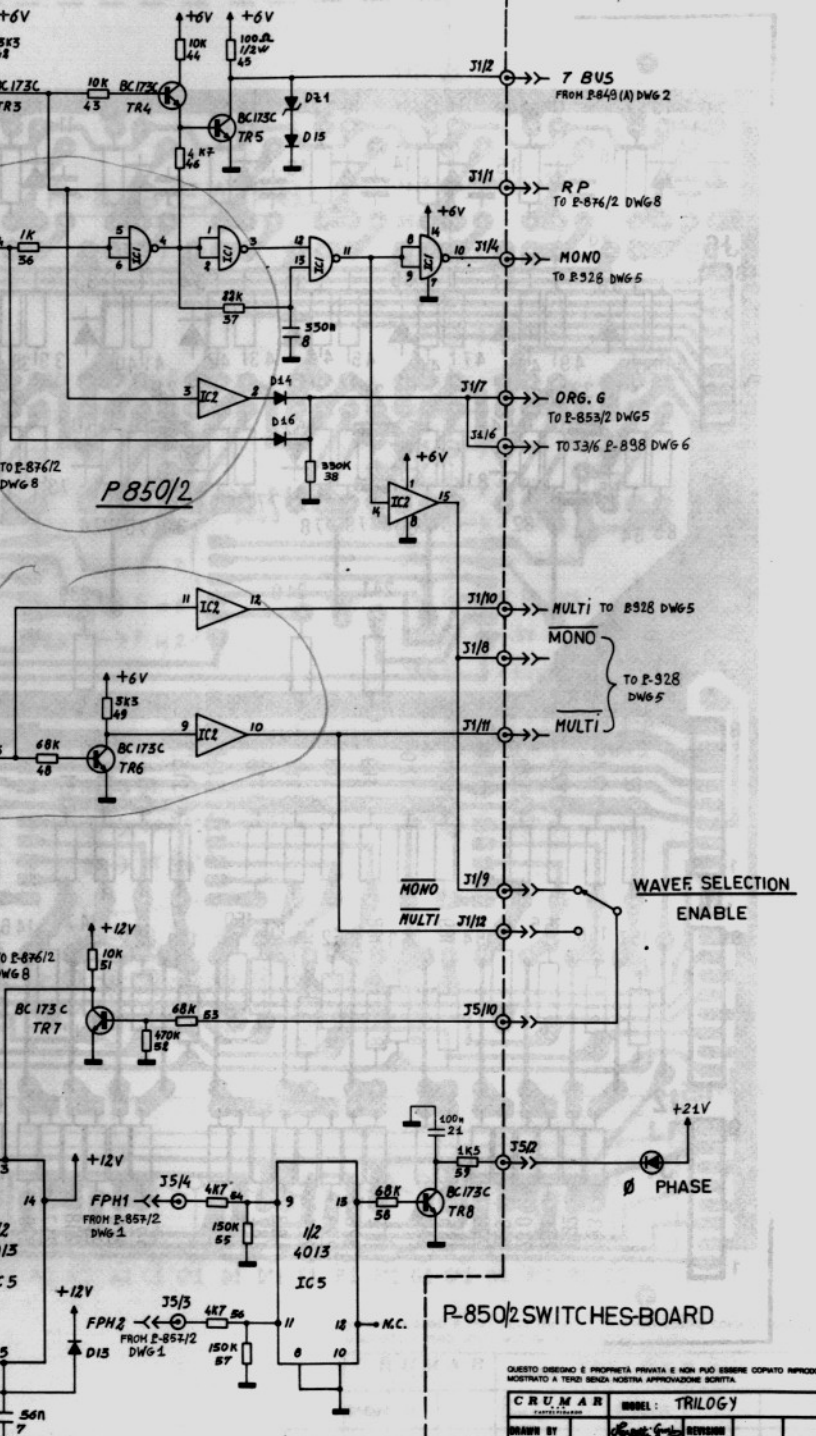
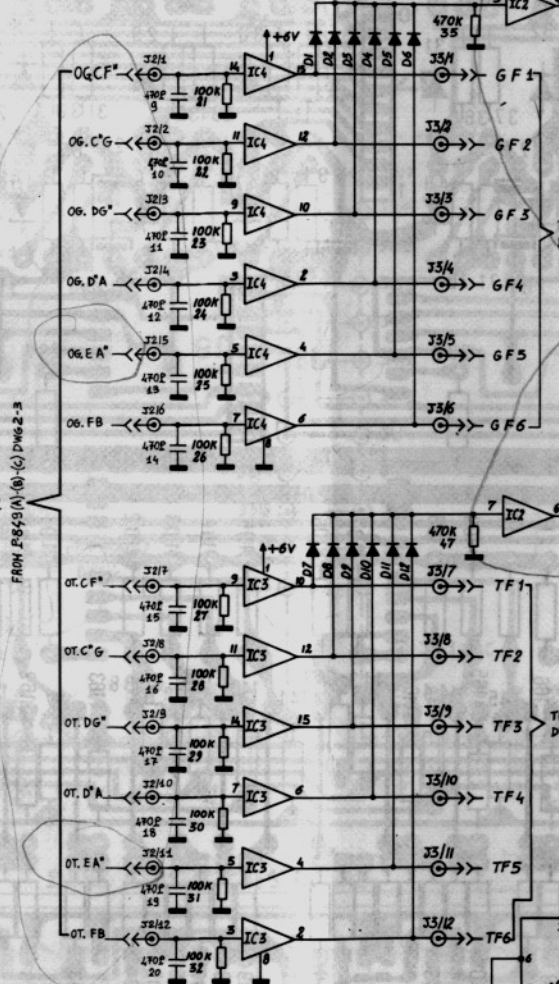
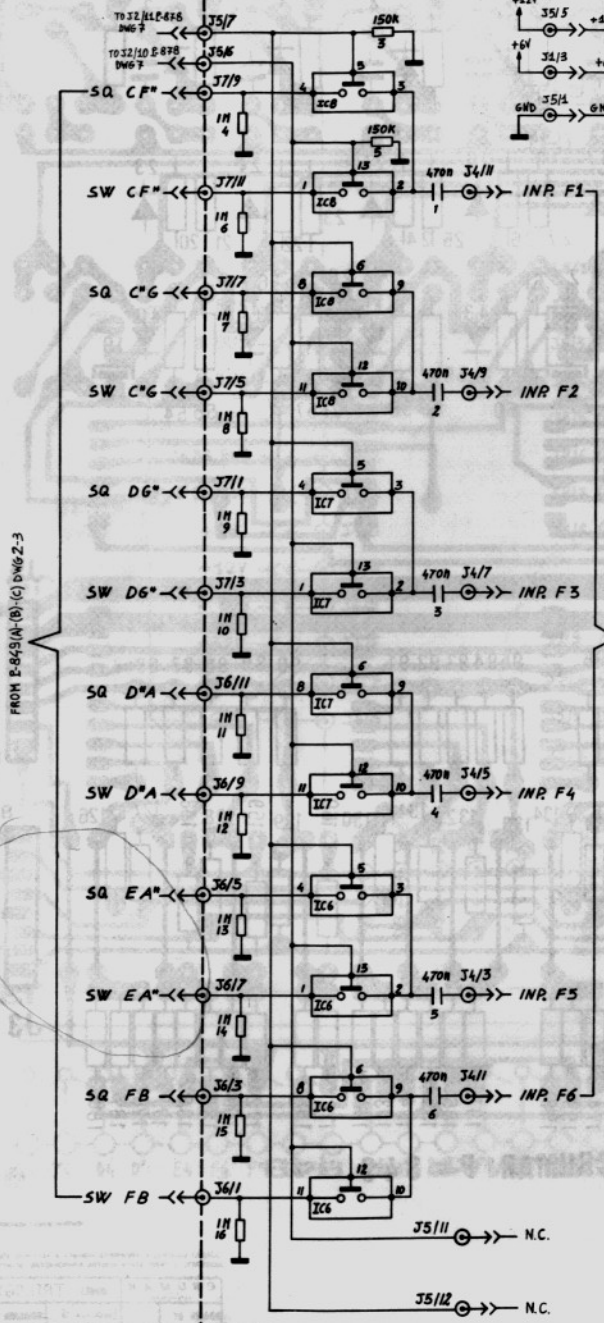
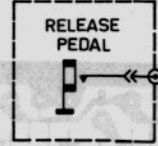


QUESTO DISEGNO È PROPRIETÀ PRIVATA E NON PUÒ ESSERE COPIATO O MOSTRATO A TERZI SENZA NOSTRA APPROVAZIONE SCRITTA.

|             |  |                    |             |
|-------------|--|--------------------|-------------|
| CRUMAR      |  | MODEL: TRILOGY     |             |
| DRAWN BY    |  | Bordani G.         | REVISION    |
| DESIGNED BY |  | <i>[Signature]</i> | DATE 7/5/81 |

DWG3

IC6 } P<sub>1</sub> = GND IC6 }  
 IC7 } P<sub>1</sub> = 14 = +12V IC7 } 4016  
 IC8 } IC8 } 4050  
 IC1 = 4011



P 850/2

P-850/2 SWITCHES-BOARD

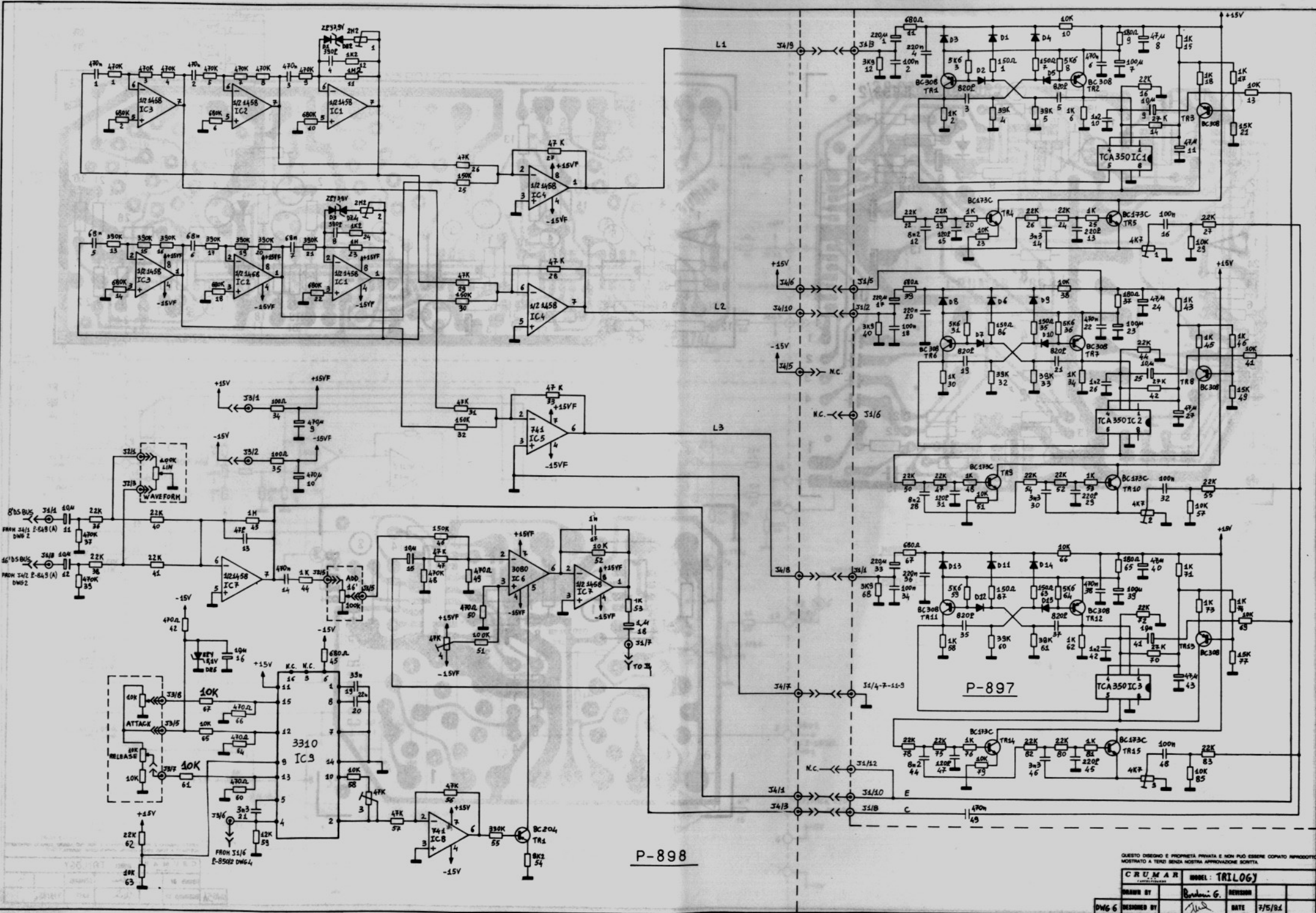
QUESTO DISEGNO È PROPRIETÀ PRIVATA E NON PUÒ ESSERE COPiato RIPPRODOTTO, MOSTRATO A TERZI, SENZA NOSTRA APPROVAZIONE SCRITTA.

|             |          |                |  |
|-------------|----------|----------------|--|
| CRUMAR      |          | MODEL: TRILOGY |  |
| DRAWN BY    | REVISION | DATE           |  |
| DESIGNED BY |          | DATE           |  |

DWG 4



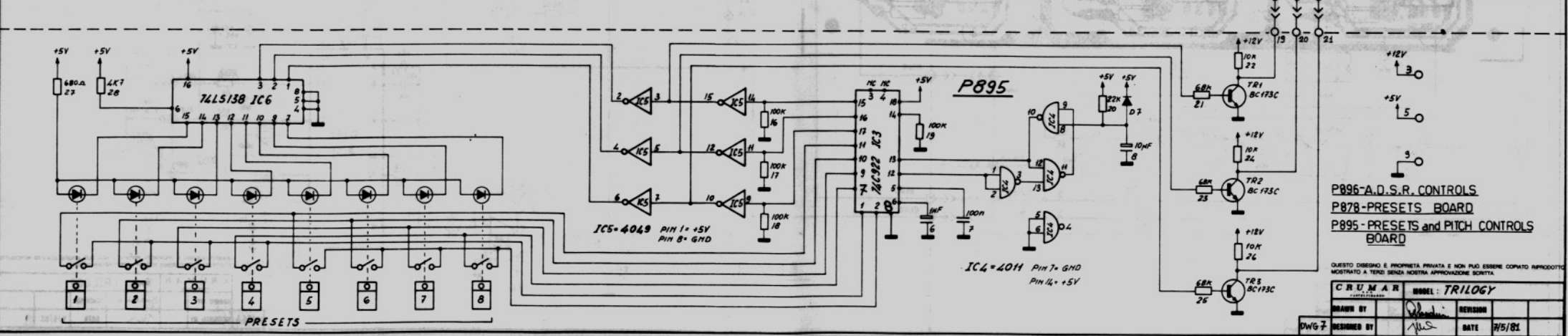
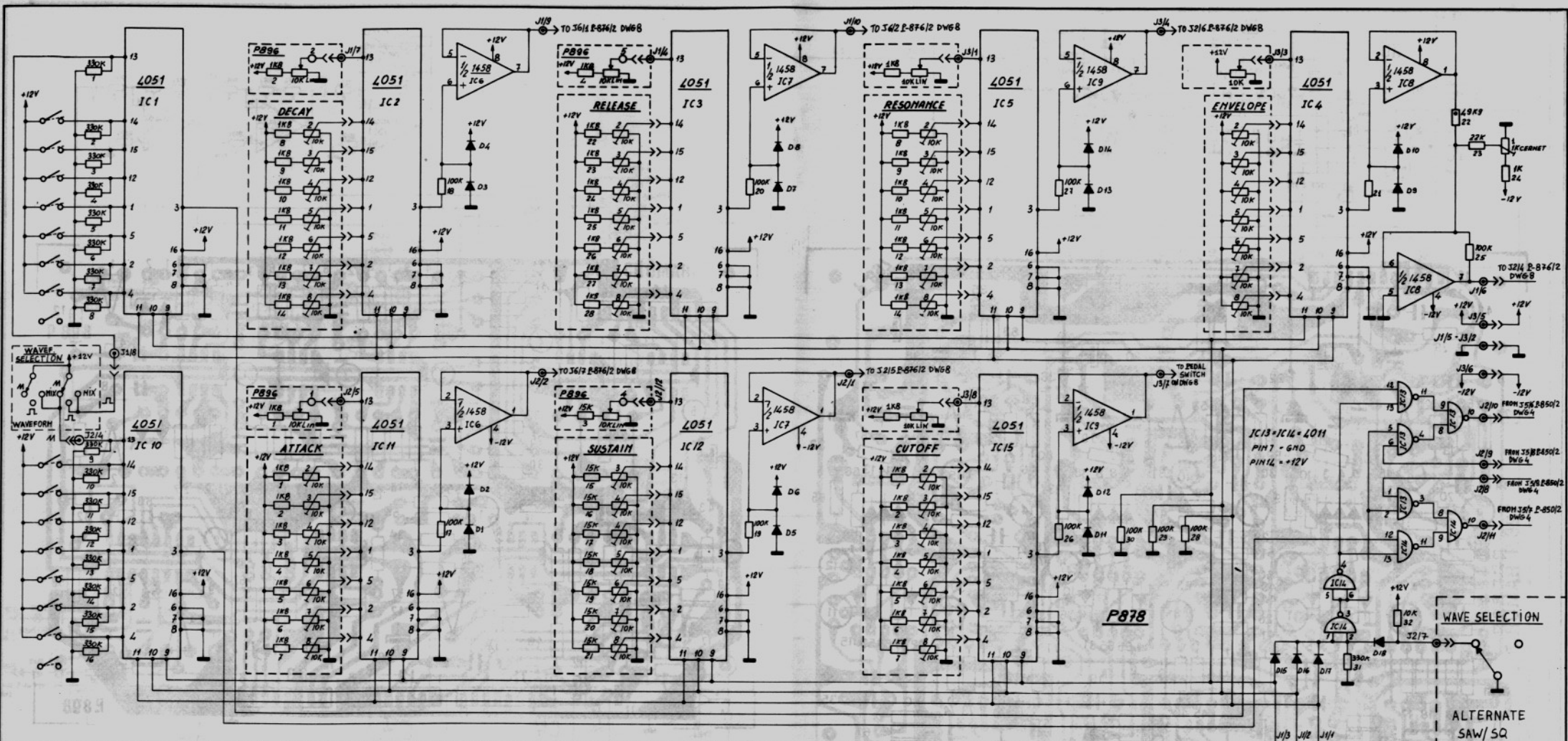




P-898

QUESTO DISEGNO È PROPRIETÀ PRIVATA E NON PUÒ ESSERE COPiato NEMMENO MOSTRATO A TERZI SENZA NOSTRA APPROVAZIONE SCRITTA.

|             |             |                |        |
|-------------|-------------|----------------|--------|
| C R U M A R |             | MODEL: TRILOGY |        |
| DRAWN BY    | Barbieri G. | REVISION       |        |
| DWG 6       | DESIGNED BY | DATE           | 7/5/84 |



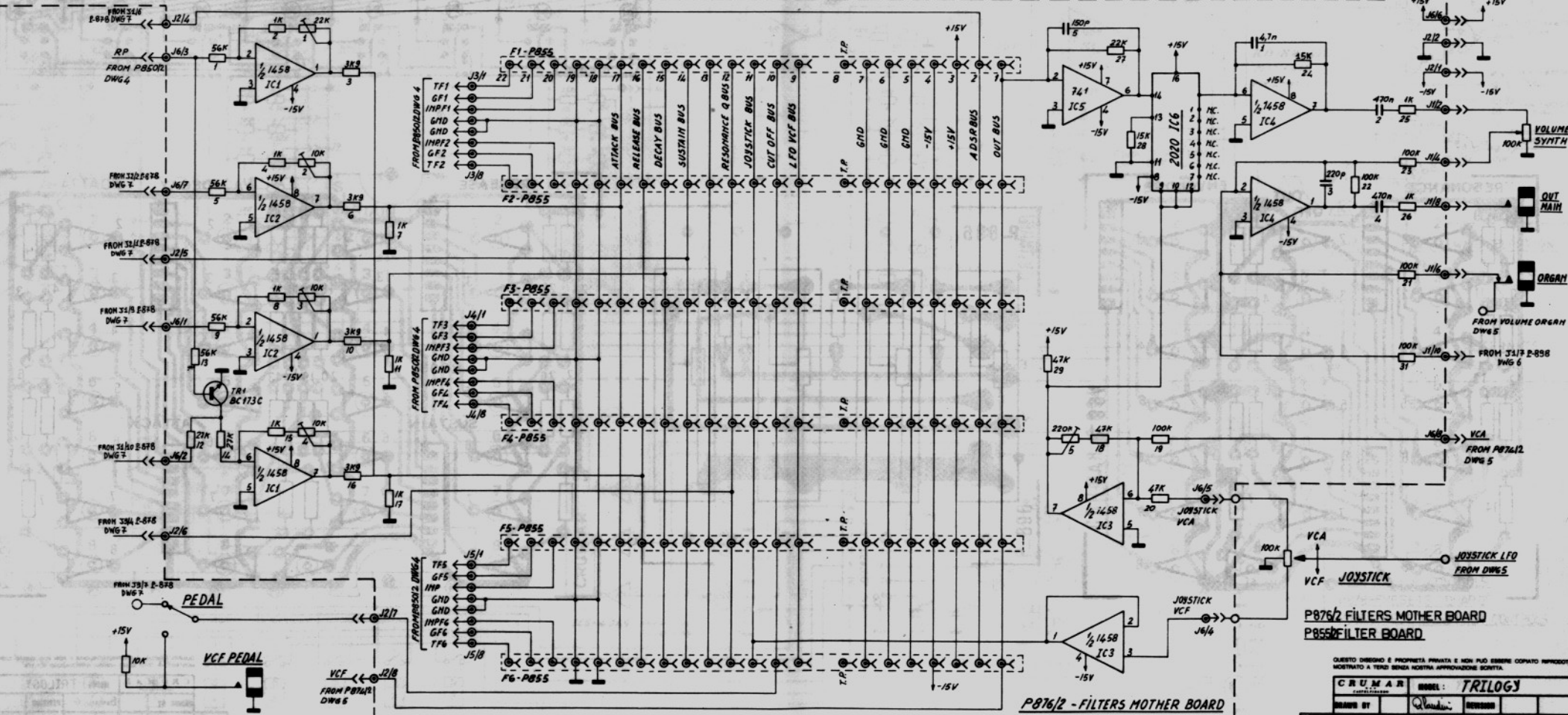
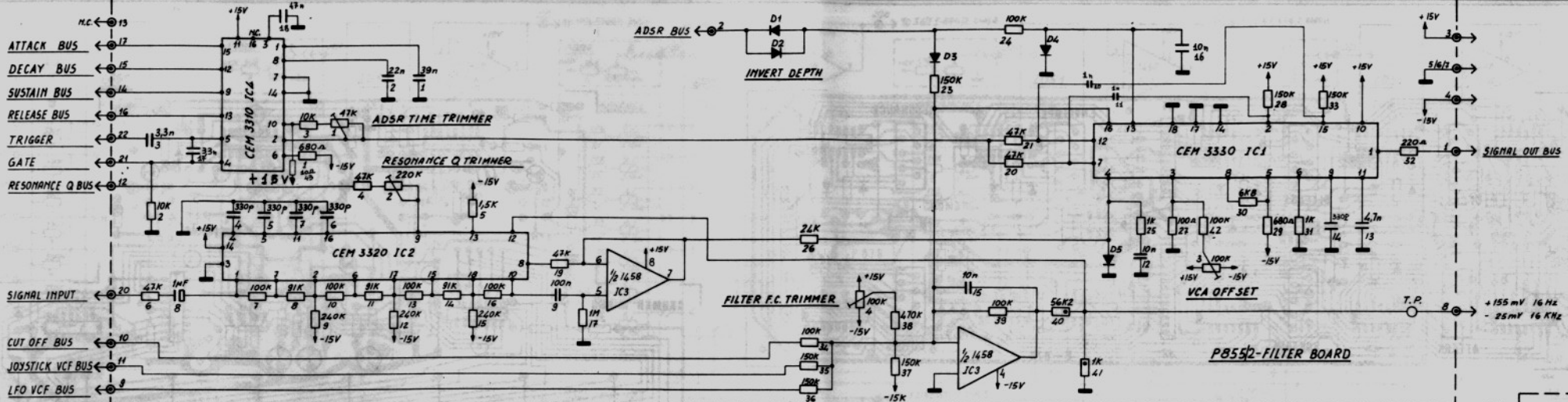
**P896-A.D.S.R. CONTROLS**  
**P878-PRESETS BOARD**  
**P895-PRESETS and PITCH CONTROLS BOARD**

QUESTO DISEGNO È PROPRIETÀ PRIVATA E NON PUÒ ESSERE COPiato RIPRODOTTO  
 MOSTRATO A TERZI SENZA NOSTRA APPROVAZIONE SCRITTA.

|                          |                   |
|--------------------------|-------------------|
| CRUMAR                   | MODEL: TRILOGY    |
| DRAWN BY: [Signature]    | REVISION: [Blank] |
| DESIGNED BY: [Signature] | DATE: 1/5/81      |

DWG 7



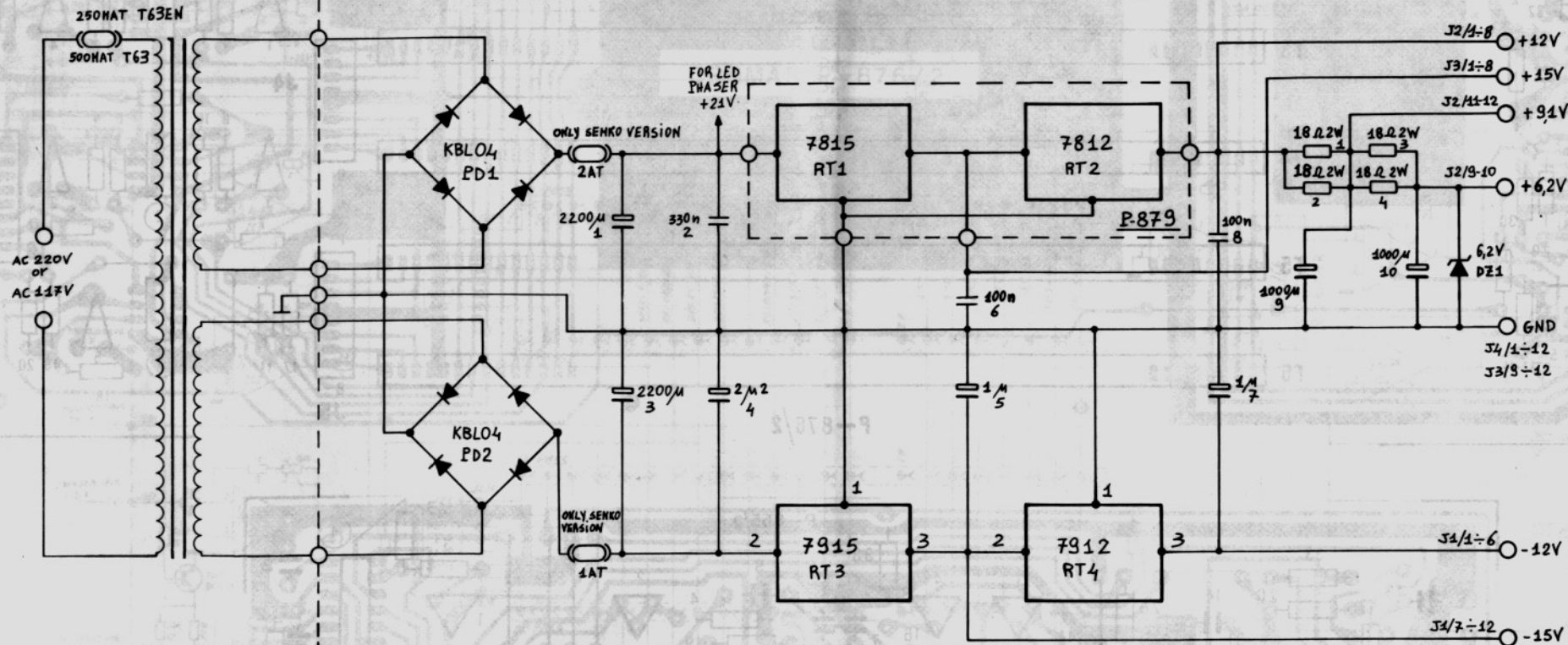


QUESTO DISEGNO È PROPRIETÀ PRIVATA E NON PUÒ ESSERE COPiato RIPRODOTTO  
 MOSTRATO A TERZI SENZA NOSTRA APPROVAZIONE SCRITTA.

**C R U M A R I** MODEL: **TRILOGY**

DWG 8 DESIGNED BY: *Alm* DRAWN BY: *Alm* DATE: 7/5/81





P-852  
POWER SUPPLY

QUESTO DISEGNO È PROPRIETÀ PRIVATA E NON PUÒ ESSERE COPIATO RIPRODOTTO  
MOSTRATO A TERZI SENZA NOSTRA APPROVAZIONE SCRITTA

|                               |             |                       |             |
|-------------------------------|-------------|-----------------------|-------------|
| <b>CRUMAR</b><br>CANTALIGARDO |             | MODEL: <b>TRILOGY</b> |             |
| DRAWN BY                      |             | Bordani G.            | REVISION    |
| DWG 9                         | DESIGNED BY | <i>[Signature]</i>    | DATE 7/5/81 |

**MODEL TRILOGY**

**ELECTRONIC COMPONENT LIST**

| Schem. Ref.                                     | Circuit                            | Type      | Part Code |
|-------------------------------------------------|------------------------------------|-----------|-----------|
| <b>OSCILLATOR ONE - OSCILLATOR TWO (DWG 1)</b>  |                                    |           |           |
| P-857/2                                         | Complete with Components           |           | 978002579 |
| IC1                                             | Dual Operational Amplifier         | 1458      | 68000053  |
| IC2 - IC3                                       | Master Oscillator                  | 74LS221   | 68000058  |
| IC4                                             | Hex inverter open Collector LS-TTL | 74LS05    | 68000116  |
| IC5 ÷ IC9                                       | Quad 2 - Input NAND Gates LS-TTL   | 74LS00    | 68000117  |
| IC10 - IC11                                     | T.O.S.                             | M083      | 68070129  |
| IC12                                            | 4-Bit Binary counter LS-TTL        | 74LS93    | 68020127  |
| TR1 - TR2                                       | Power transistor NPN               | BC286     | 62110002  |
| TR3 ÷ TR9                                       | Transistor NPN                     | BC173C    | 62120003  |
| DZ1                                             | Diode Zener                        | ZPY 5,6 V | 67000017  |
| RT1                                             | Voltage Regulator                  | 7805      | 62110023  |
| <b>PRESETS AND PITCH CONTROLS BOARD (DWG 1)</b> |                                    |           |           |
| P-895                                           | Complete with Components           |           | 978002520 |
| IC1 - IC2 - IC5                                 | Buffer                             | 4049      | 68010131  |
| IC3                                             | Encoder                            | 74C922    | 68000110  |
| IC4                                             | NAND Gate                          | 4011      | 68000034  |
| IC6                                             | Decoder                            | 74LS138   | 68020153  |
| TR1 - TR3                                       | NPN Transistor                     | BC173C    | 62120003  |
| D1 ÷ D7                                         | Diodes                             | BA130     | 65000001  |
| <b>TDA 1008 MODULE BOARD (DWG2)</b>             |                                    |           |           |
| P-840                                           | Complete with Components           |           | 978002433 |
| IC1                                             | Frequency divider                  | TDA1008   | 68000104  |
| <b>SOUND MOTHER BOARD (DWG2)</b>                |                                    |           |           |
| P-849 (A)                                       | Complete with Components           |           | 978002531 |
| D1 ÷ D55                                        | Diodes                             | BA130     | 65000001  |
| <b>KEYSWITCHES BOARD (DWG2)</b>                 |                                    |           |           |
| P-558                                           | Complete with Components           |           | 978002484 |
| <b>SOUND MOTHER BOARD (WDG3)</b>                |                                    |           |           |
| P-849 (B) (C)                                   | Complete with Components           |           | 978002448 |
| D1 ÷ D52                                        | Diodes                             | BA130     | 65000001  |

**MODEL TRILOGY**

**ELECTRONIC COMPONENT LIST**

| Schem. Ref.                     | Circuit                                | Type    | Part Code |
|---------------------------------|----------------------------------------|---------|-----------|
| <b>SWITCHES BOARD (DWG4)</b>    |                                        |         |           |
| P-850/2                         | Complete with Components               |         | 978002530 |
| IC1                             | Quad 2-Input Nand Gates CMOS           | 4011    | 68000034  |
| IC2 ÷ IC4                       | Hex Non-inverting buffer CMOS          | 4050    | 68000085  |
| IC5                             | Dual D Flip-flop CMOS                  | 4013    | 68010136  |
| IC6 ÷ IC8                       | Quad bilateral switch                  | 4016    | 68000072  |
| TR3 ÷ TR8                       | Transistor NPN                         | BC173C  | 62120003  |
| D1 ÷ D14                        | Diodes                                 | BA130   | 65000001  |
| DZ1                             | Diode Zener                            | ZPY2,1V | 67000022  |
| <b>ORGAN BOARD (DWG5)</b>       |                                        |         |           |
| P-853/2                         | Complete with Components               |         | 978002516 |
| IC1                             | Operational transconductance amplifier | 3080    | 68000066  |
| IC2                             | Operational amplifier                  | 741     | 68000059  |
| IC3                             | Dual operational amplifier             | 1458    | 68000054  |
| IC4                             | Operational amplifier                  | 741     | 68000059  |
| TR1                             | Transistor NPN                         | BC173C  | 62120003  |
| TR2                             | Transistor PNP                         | BC308   | 62210001  |
| D1                              | Diode                                  | BA130   | 65000001  |
| <b>LFO BOARD (DWG5)</b>         |                                        |         |           |
| P-874/2                         | Complete with Components               |         | 978002535 |
| IC1 - IC2                       | Dual operational amplifier             | 1458    | 68000053  |
| IC3                             | Timer                                  | 555     | 68030137  |
| IC4                             | Operational amplifier                  | 741     | 68000059  |
| IC5                             | Operational transconductance amplifier | 3080    | 68000066  |
| TR1                             | Transistor PNP                         | BC204   | 62210001  |
| TR2                             | Fet                                    | BF245B  | 62120002  |
| TR3 ÷ TR5                       | Transistor NPN                         | BC173C  | 62120003  |
| D1 - D2                         | Diodes                                 | BA130   | 65000001  |
| <b>GLIDE BOARD (DWG5)</b>       |                                        |         |           |
| P-928                           | Complete with Components               |         | 978002570 |
| IC1                             | Operational amplifier                  | 741     | 68000059  |
| IC2                             |                                        | 3310    | 68030142  |
| <b>DELAY LINES BOARD (DWG6)</b> |                                        |         |           |
| P-897                           | Complete with Components               |         | 978002522 |
| IC1 ÷ IC3                       | Analog Delay Line                      | TCA350  | 68000007  |

POWER SUPPLY

|      |    |      |       |
|------|----|------|-------|
| DATE | BY | CHKD | APP'D |
|      |    |      |       |

|      |    |      |       |
|------|----|------|-------|
| DATE | BY | CHKD | APP'D |
|      |    |      |       |

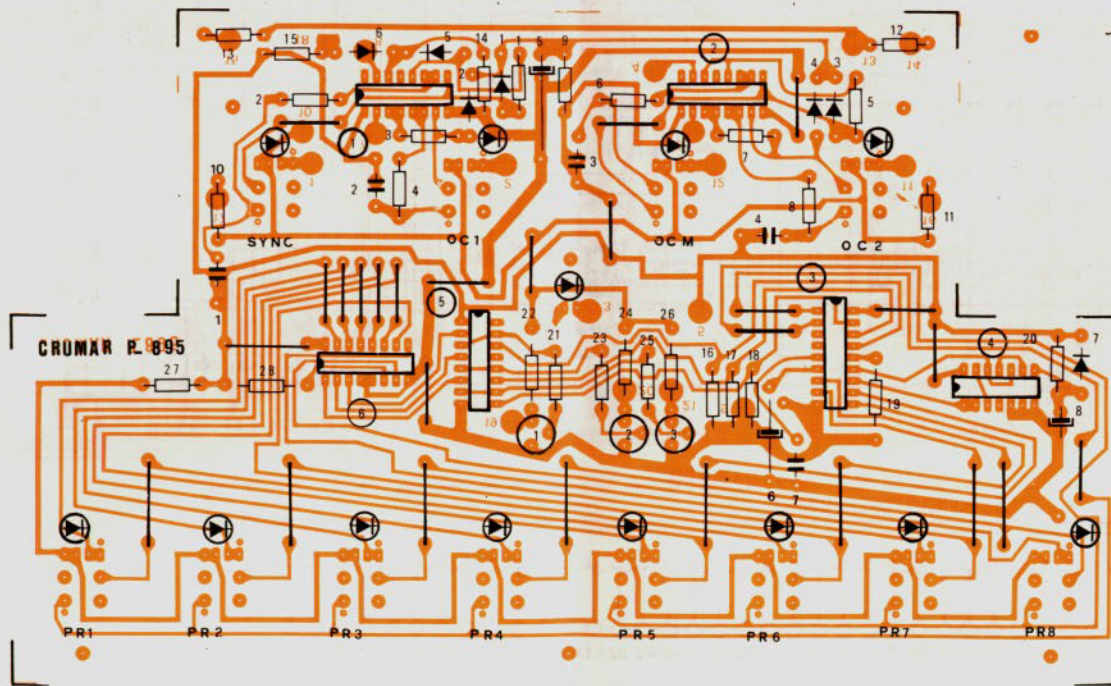
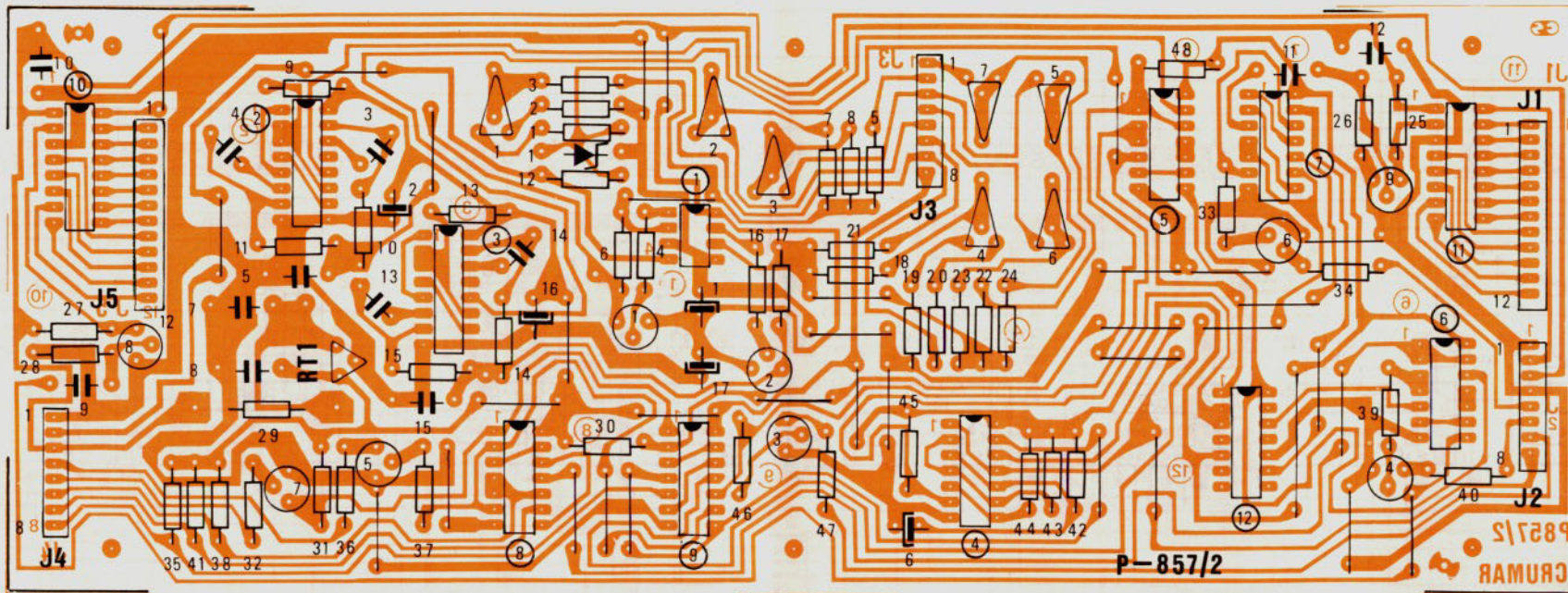
**MODEL TRILOGY**
**ELECTRONIC COMPONENT LIST**

| Schem. Ref.                                  | Circuit                    | Type    | Part Code |
|----------------------------------------------|----------------------------|---------|-----------|
| TR1 ÷ TR3                                    | Analog Delay Line          | BC308   | 62210001  |
| TR4 - TR5                                    | Analog Delay Line          | BC173C  | 62120003  |
| TR6 ÷ TR8                                    | PNP Transistor             | BC308   | 62210001  |
| TR9 - TR10                                   | NPN Transistor             | BC173C  | 62120003  |
| TR11 ÷ TR13                                  | PNP Transistor             | BC308   | 62210001  |
| TR14 - TR15                                  | NPN Transistor             | BC173C  | 62120001  |
| D1 ÷ D15                                     | Diodes                     | BA130   | 65000001  |
| <b>STRINGS FILTER AND OSCILLATORS (DWG6)</b> |                            |         |           |
| P-898                                        | Complete with Components   |         | 978002523 |
| IC1 ÷ IC4                                    | Dual Operational Amplifier | 1458    | 68000054  |
| IC5 - IC8                                    | Operational Amplifier      | 741     | 68000059  |
| IC6                                          | O.T.A.                     | 3080    | 68000066  |
| IC7                                          | Dual Operational Amplifier | 1458    | 68000054  |
| IC9                                          | Envelope Generator         | 3310    | 68030142  |
| TR1                                          | PNP Transistor             | BC308   | 62210001  |
| DZ2 - DZ4                                    | Diode Zener                | ZPY3,9V | 67000025  |
| DZ5                                          | Diode Zener                | ZPY5,1V | 67000012  |
| D1 - D3                                      | Diodes                     | BA130   | 65000001  |
| <b>PRESETS BOARD (DWG7)</b>                  |                            |         |           |
| P-878                                        | Complete with Components   |         | 978002482 |
| IC1 ÷ IC5                                    | Analog Demultiplexer       | 4051    | 68010154  |
| IC6 ÷ IC9                                    | Dual Operational Amplifier | 1458    | 68000054  |
| IC10 ÷ IC12                                  | Analog Demultiplexer       | 4051    | 68010154  |
| IC13 - IC14                                  | NAN Gate                   | 4011    | 68000034  |
| IC15                                         | Analog Demultiplexer       | 4051    | 68010154  |
| D1 ÷ D18                                     | Diodes                     | BA130   | 65000001  |
| <b>A.D.S.R. CONTROLS (DWG7)</b>              |                            |         |           |
| P-896                                        | Complete with Components   |         | 978002521 |
| <b>A.D.S.R. PRESETS (DWG7)</b>               |                            |         |           |
| P-893                                        | Complete with Components   |         | 978002518 |

**MODEL TRILOGY**
**ELECTRONIC COMPONENT LIST**

| Schem. Ref.                               | Circuit                               | Type    | Part Code |
|-------------------------------------------|---------------------------------------|---------|-----------|
| <b>E.C.R. PRESETS (DWG7)</b>              |                                       |         |           |
| P-894                                     | Complete with Components              |         | 978002519 |
| <b>FILTER BOARD (VCF-VCA-ADSR) (DWG8)</b> |                                       |         |           |
| P-855/2                                   | Complete with Components              |         | 978002543 |
| IC1                                       | Dual voltage controlled amplifier     | 3330    | 68030144  |
| IC2                                       | Voltage controlled filter             | 3320    | 68030143  |
| IC3                                       | Dual operational amplifier            | 1458    | 68000054  |
| IC4                                       | Voltage controlled envelope generator | 3310    | 68030142  |
| D1 ÷ D5                                   | Diodes                                | BA130   | 65000001  |
| <b>FILTER MOTHER BOARD (DWG8)</b>         |                                       |         |           |
| P-876/2                                   | Complete with Components              |         | 978002536 |
| IC1 ÷ IC4                                 | Dual operational amplifier            | 1458    | 68000053  |
| IC5                                       | Operational amplifier                 | 741     | 68000059  |
| IC6                                       | Voltage controlled amplifier          | SSM2020 | 68030139  |
| TR1                                       | Transistor NPN                        | BC173C  | 62120003  |
| <b>POWER SUPPLY (DWG9)</b>                |                                       |         |           |
| P-852                                     | Complete with Components              |         | 978002533 |
| RT1                                       | Voltage Regulator                     | 7815    | 62110020  |
| RT2                                       | Voltage Regulator                     | 7812    | 62110027  |
| RT3                                       | Voltage Regulator                     | 7915    | 62110022  |
| RT4                                       | Voltage Regulator                     | 7912    | 62110037  |
| PD1                                       | Rectifier Bridge                      | KBL04   | 66000006  |
| PD2                                       | Rectifier Bridge                      | KBL04   | 66000006  |
| DZ1                                       | Diode Zener                           | ZPY6,2V | 67000023  |
| DZ2                                       | Diode Zener                           | ZPY9,1V | 67000013  |
| T63                                       | Transformer CSA Version               |         | 18010100  |
| T63EN                                     | Transformer SEMKO Version             |         | 18010099  |



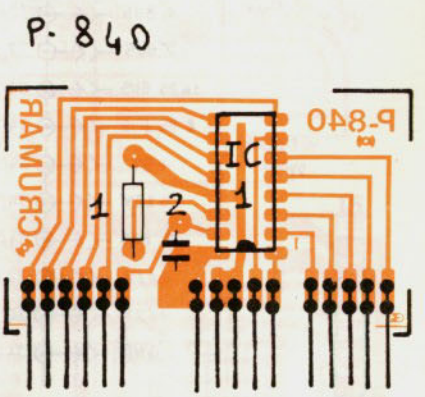
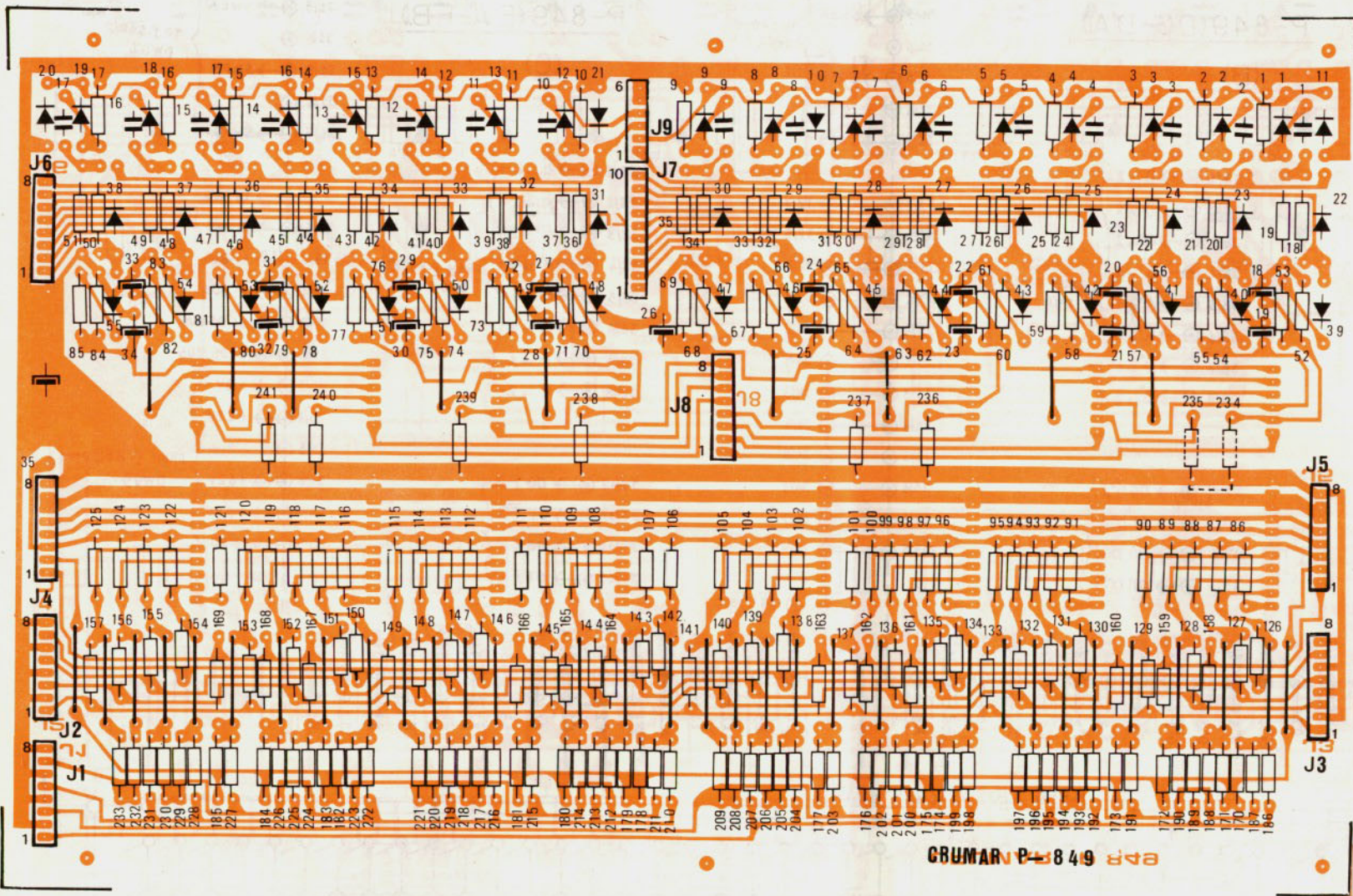


DWG1A

QUESTO DISEGNO È PROPRIETÀ PRIVATA E NON PUÒ ESSERE COPiato RIPRODOTTO  
 MOSTRATO A TERZI SENZA NOSTRA APPROVAZIONE SCRITTA.

|             |                    |                |        |
|-------------|--------------------|----------------|--------|
| CROMAR      |                    | MODEL: TRILOGY |        |
| DRAWN BY    | Bonini G.          | REVISOR        |        |
| DESIGNED BY | <i>[Signature]</i> | DATE           | 7/5/81 |



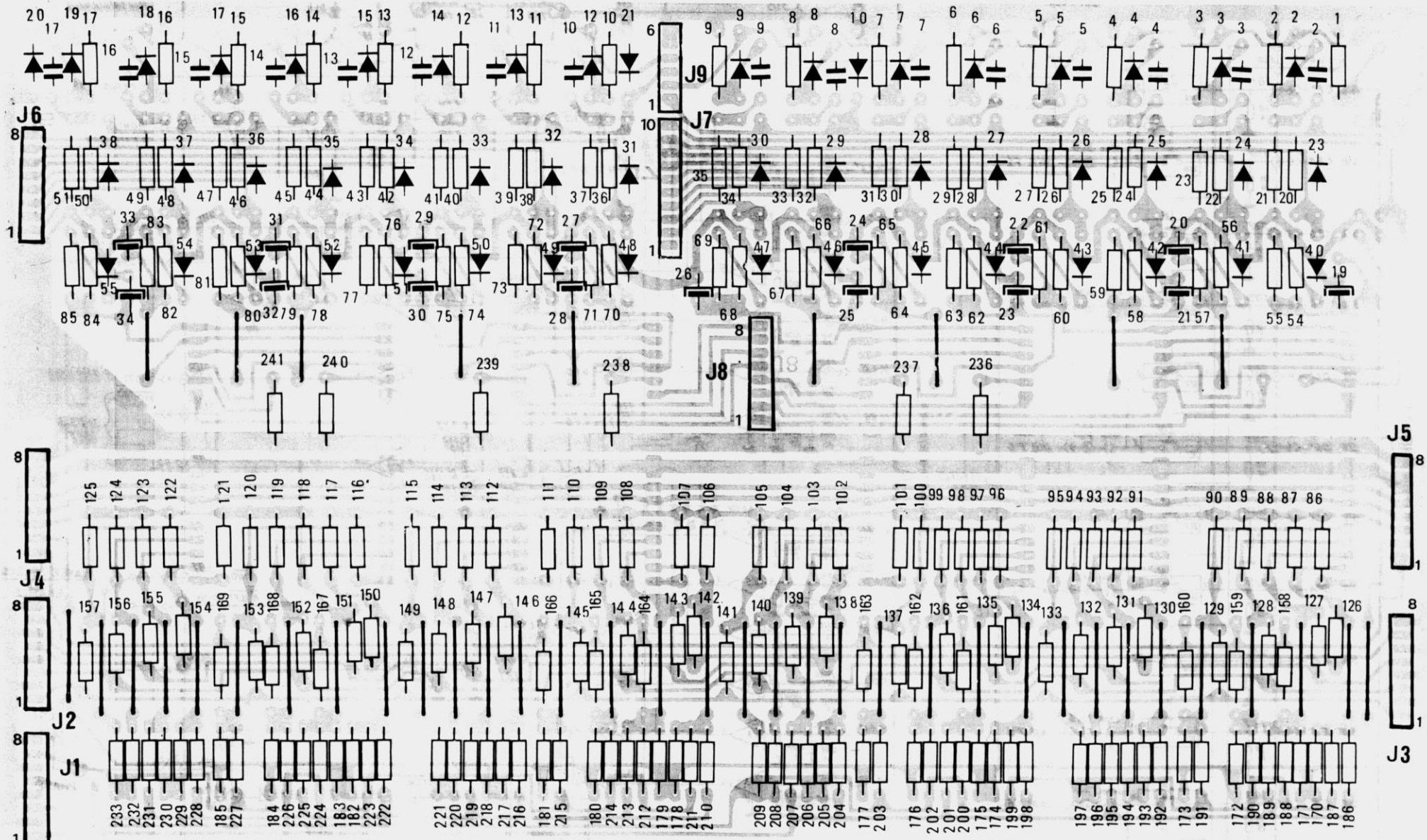


DWG2A

QUESTO DISEGNO È PROPRIETÀ PRIVATA E NON PUÒ ESSERE COPRATO RIPRODOTTO  
 MOSTRATO A TERZI SENZA NOSTRA APPROVAZIONE SCRITTA.

|             |                    |                |        |
|-------------|--------------------|----------------|--------|
| CRUMAR      |                    | MODEL: TRILOGY |        |
| DRAWN BY    | Bondini G.         | REVISION       |        |
| DESIGNED BY | <i>[Signature]</i> | DATE           | 7/5/81 |





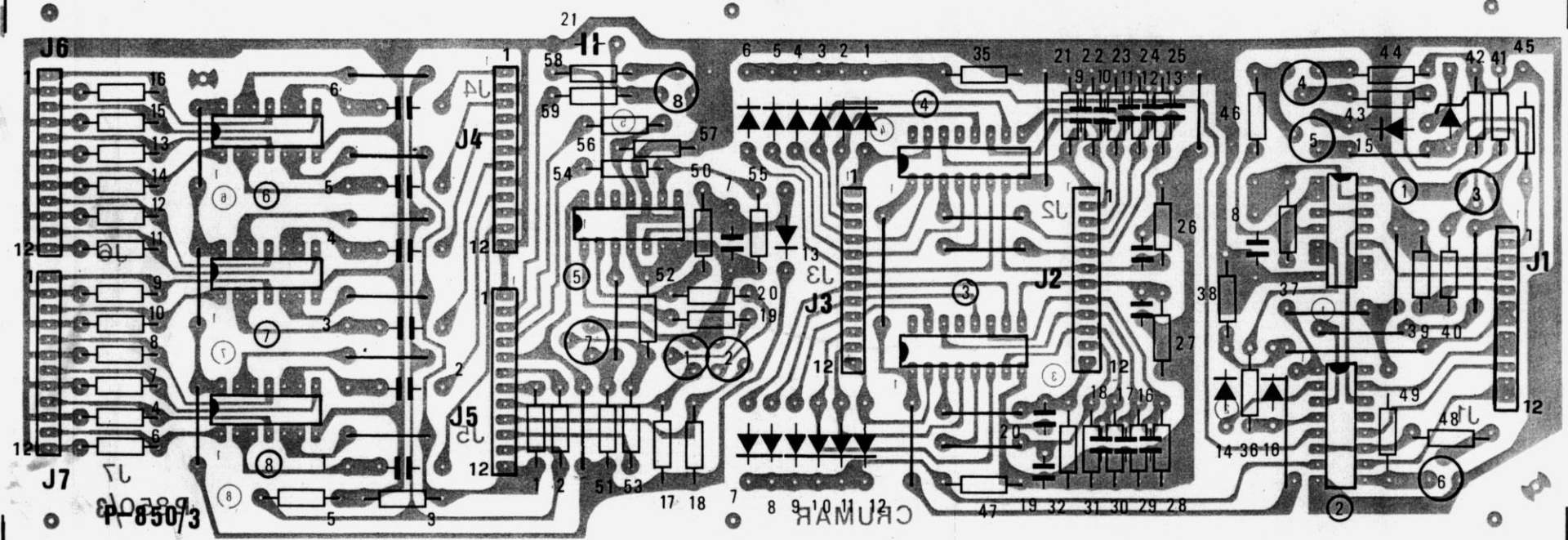
DWG3A

CRUMAR P-849

QUESTO DISEGNO È PROPRIETÀ PRIVATA E NON PUÒ ESSERE COPIATO, RIPRODOTTO, MOSTRATO A TERZI SENZA NOSTRA APPROVAZIONE SCRITTA.

|             |            |                |        |
|-------------|------------|----------------|--------|
| CRUMAR      |            | MODEL: TRILOGY |        |
| DRAWN BY    | Bonanni G. | REVISION       |        |
| DESIGNED BY |            | DATE           | 7/5/85 |

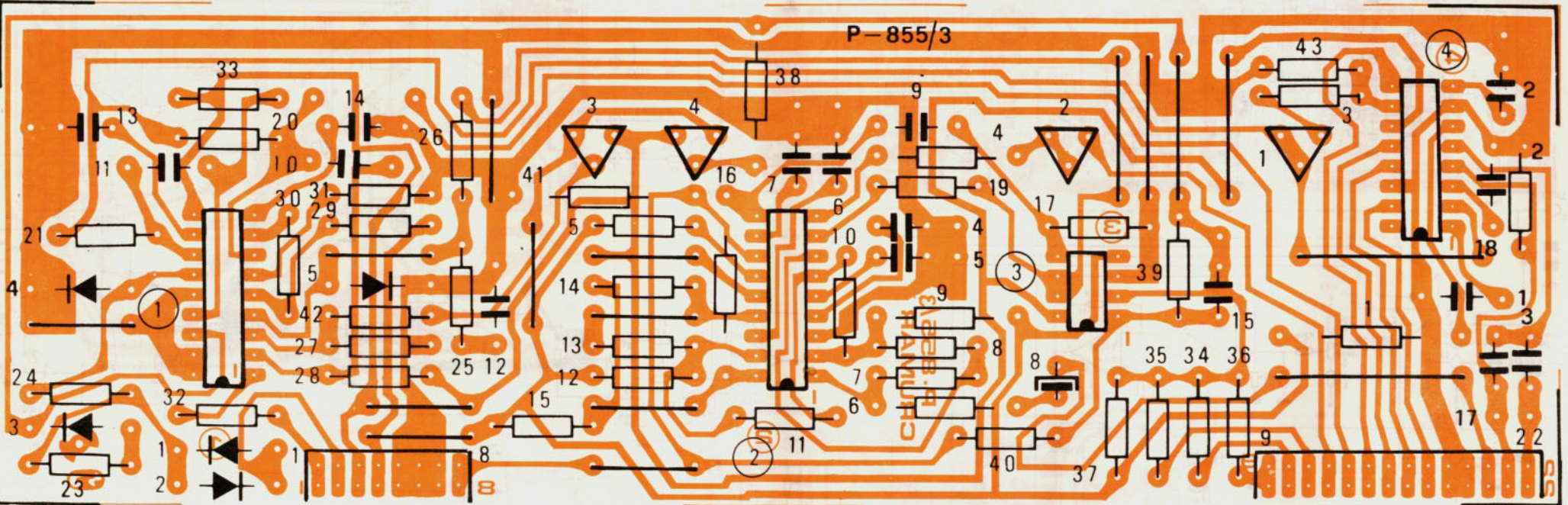




QUESTO DISEGNO È PROPRIETÀ PRIVATA E NON PUÒ ESSERE COPiato, RIPRODOTTO, MOSTRATO A TERZI, SENZA NOSTRA APPROVAZIONE SCRITTA.

|             |            |                 |        |
|-------------|------------|-----------------|--------|
| CRUMAR      |            | MODEL: TRIOLOGY |        |
| DRAWN BY    | Bombard G. | REVISIONI       |        |
| DESIGNED BY | M. L.      | DATE            | 7/5/81 |

P-855/3

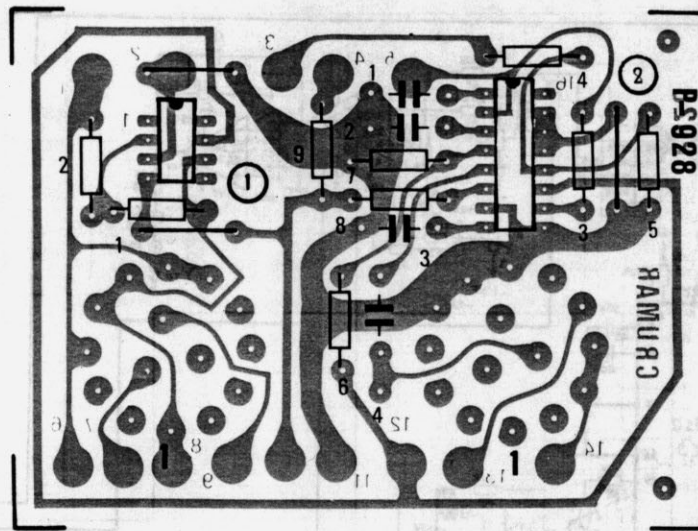
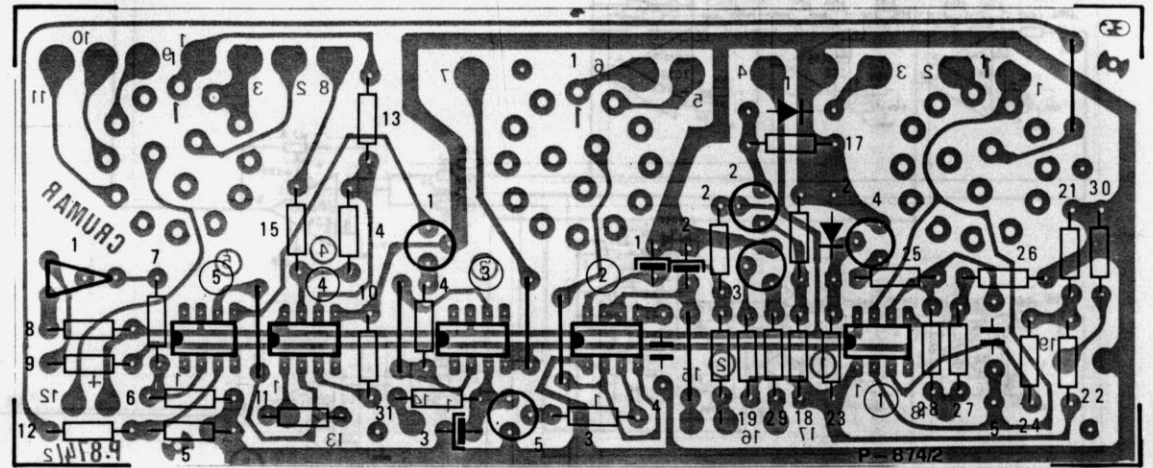
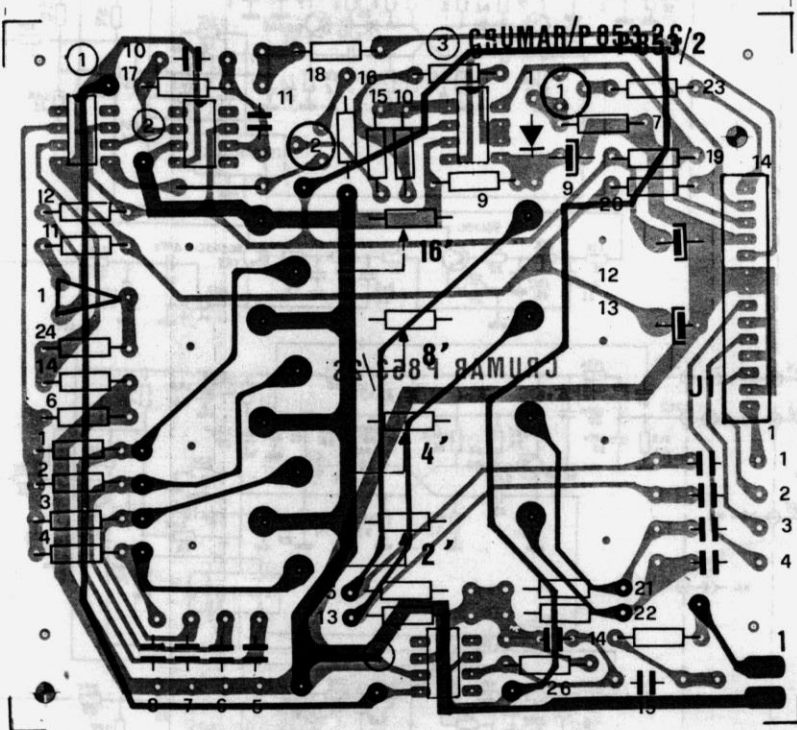


DWG4A2

QUESTO DISEGNO È PROPRIETÀ PRIVATA E NON PUÒ ESSERE COPiato, RIPRODOTTO, MOSTRATO A TERZI SENZA NOSTRA APPROVAZIONE SCRITTA.

|             |                    |                |        |
|-------------|--------------------|----------------|--------|
| CRUMAR      |                    | MODEL: TRILOGY |        |
| DRAWN BY    | Bordani G.         | REVISION       |        |
| DESIGNED BY | <i>[Signature]</i> | DATE           | 7/5/81 |





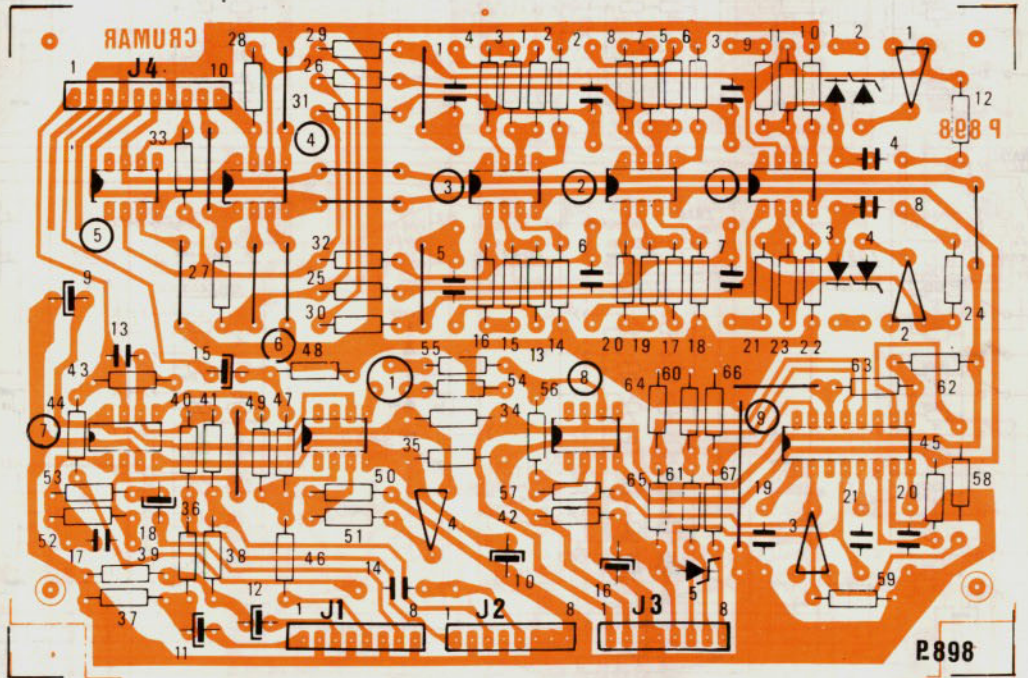
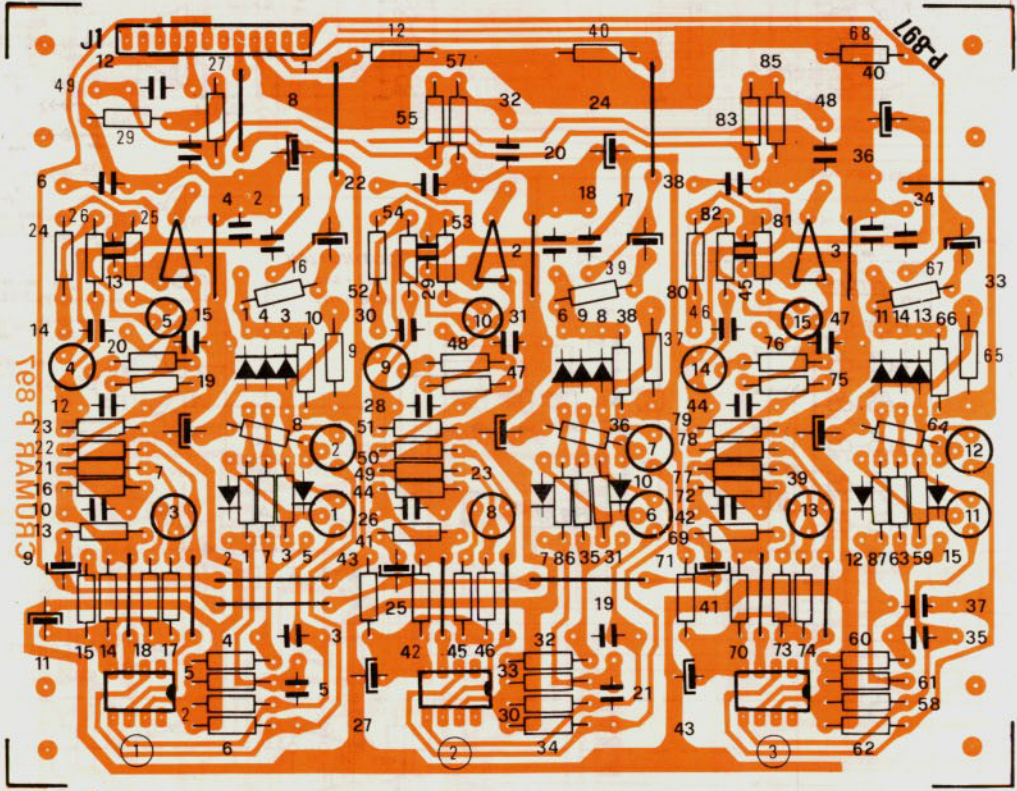
DWG5A

QUESTO DISEGNO È PROPRIETÀ PRIVATA E NON PUÒ ESSERE COPIATO, RIPRODOTTO, MOSTRATO A TERZI SENZA NOSTRA APPROVAZIONE SCRITTA.

|             |                    |
|-------------|--------------------|
| CRUMAR      | MODEL: TRILOGY     |
| DRAWN BY    | Bondini G. NEWBORN |
| DESIGNED BY | DATE 7/5/81        |

DWG5A



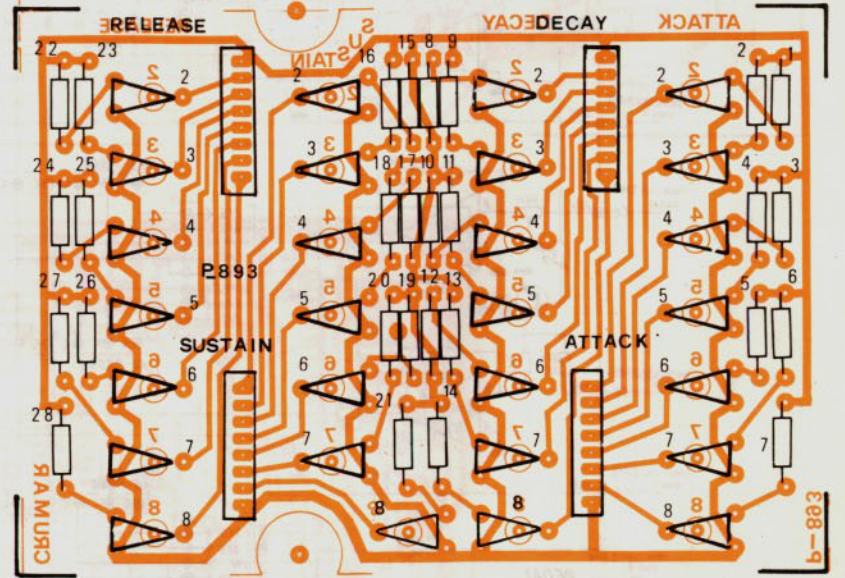
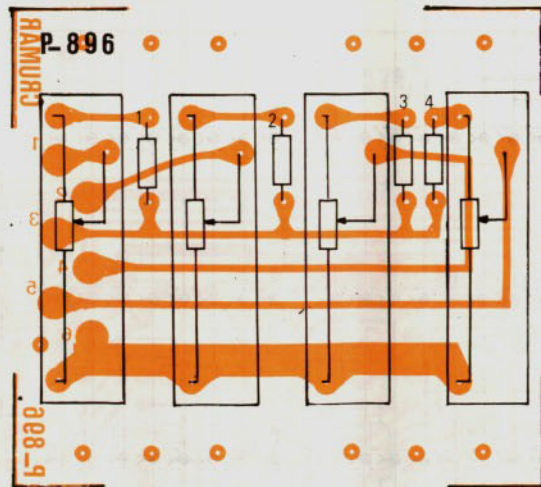
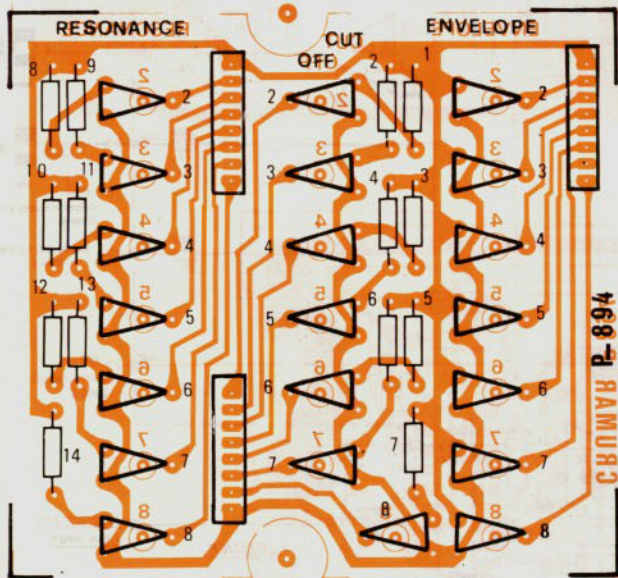
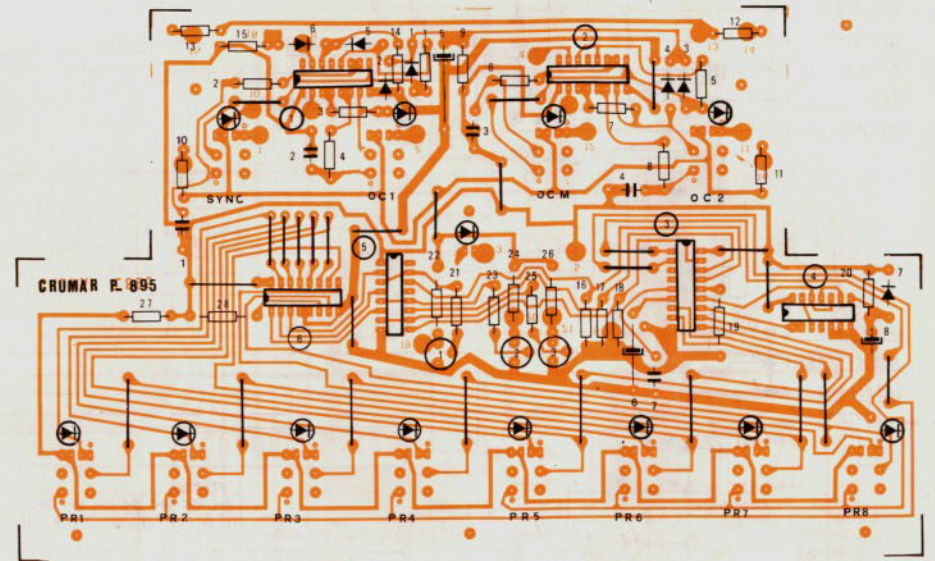
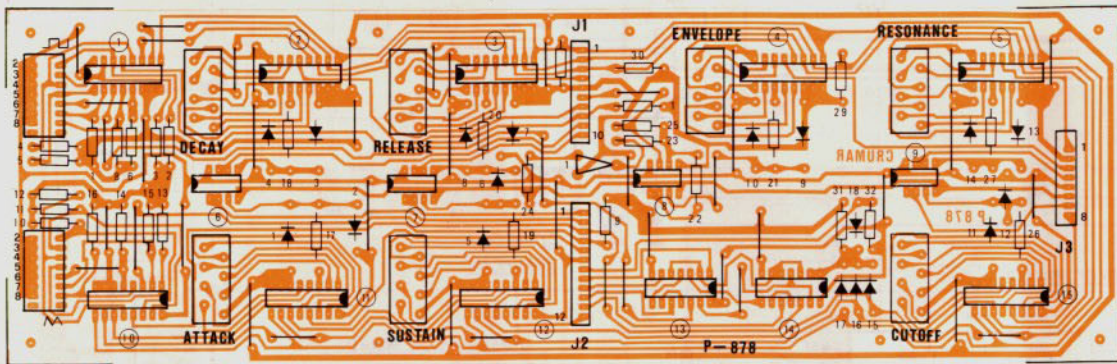


DWG6A

QUESTO DISEGNO È PROPRIETÀ PRIVATA E NON PUÒ ESSERE COPiato APPRODOTTO MOSTRATO A TERZI SENZA NOSTRA APPROVAZIONE SCRITTA.

|          |             |                |        |
|----------|-------------|----------------|--------|
| CRUMAR   |             | MODEL: TRILOGY |        |
| DRAWN BY | Bonanni G.  | REVISION       |        |
| DWG6A    | DESIGNED BY | DATE           | 7/5/81 |





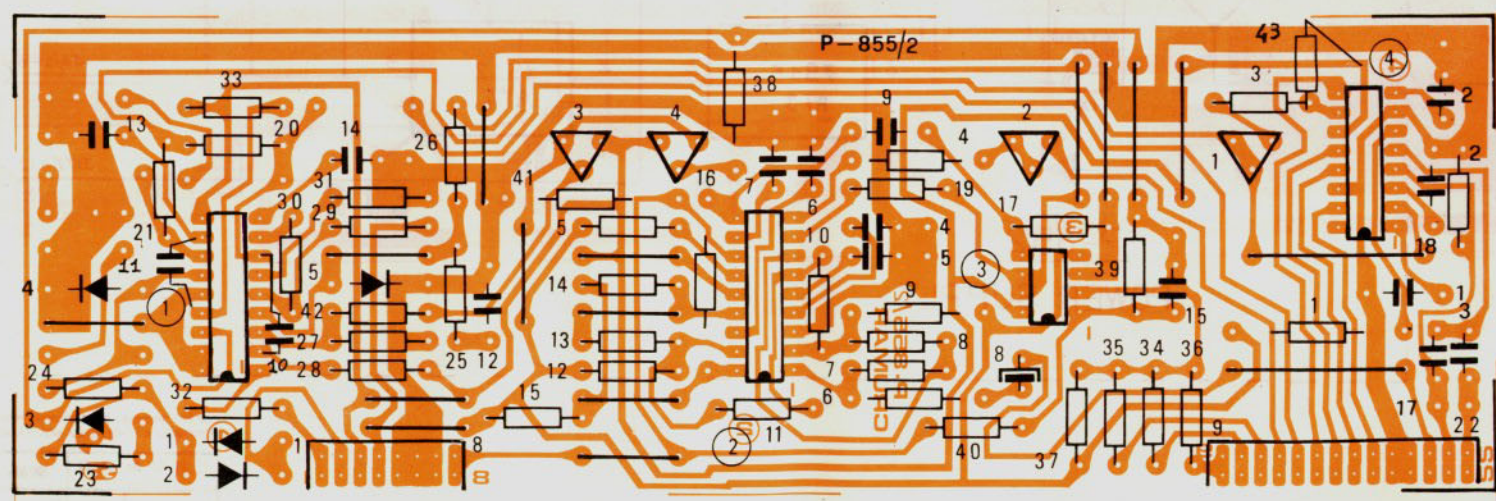
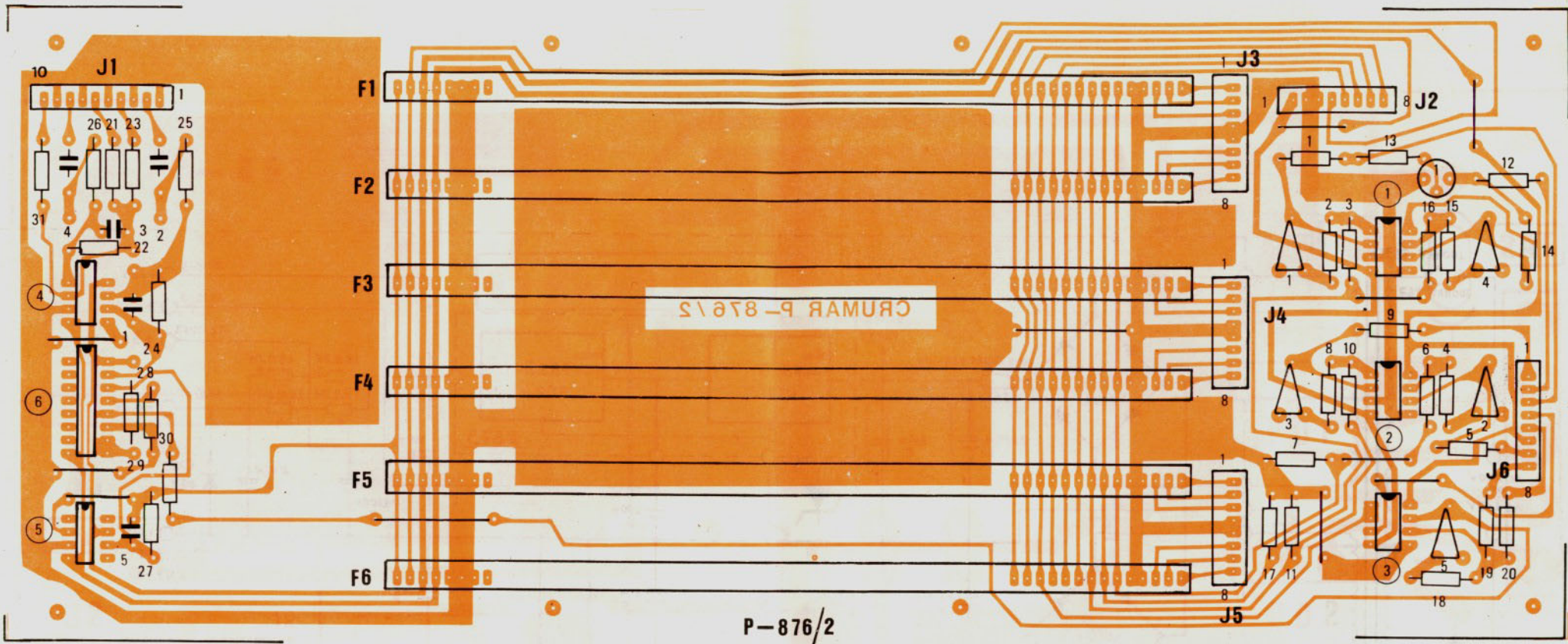
DWG7A

QUESTO DISEGNO È PROPRIETÀ PRIVATA E NON PUÒ ESSERE COPiato APPROPRIO MENTRE A TERZI SENZA NOSTRA APPROVAZIONE SCRITTA.

|             |           |                |        |
|-------------|-----------|----------------|--------|
| CRUMAR      |           | MODEL: TRILOGY |        |
| DRAWN BY    | Bonini G. | REVISION       |        |
| DESIGNED BY | Shed      | DATE           | 7/5/81 |

DWG7A





DWG8A

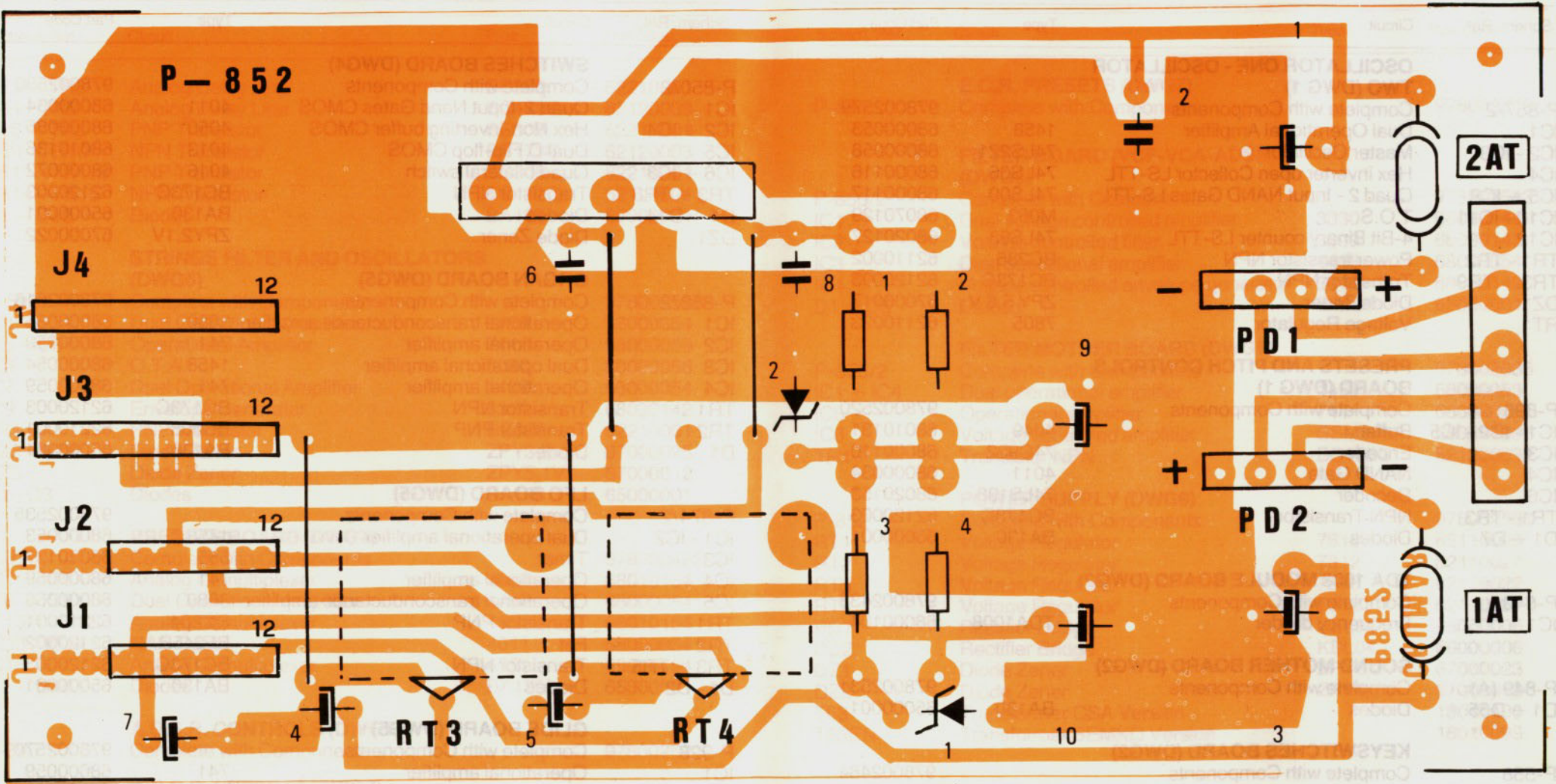
QUESTO DISEGNO È PROPRIETÀ PRIVATA E NON PUÒ ESSERE COPIATO APPROSSIMATO MOSTRATO A TERZI SENZA NOSTRA APPROVAZIONE SCRITTA.

|             |                    |                |         |
|-------------|--------------------|----------------|---------|
| CRUMAR      |                    | MODEL: TRILOGY |         |
| DRAWN BY    | Buriani G.         | REVISION       |         |
| DESIGNED BY | <i>[Signature]</i> | DATE           | 7/15/81 |

DWG8A



P-852



DWG9A

QUESTO DISEGNO È PROPRIETÀ PRIVATA E NON PUÒ ESSERE COPiato RIPRODOTTO, MOSTRATO A TERZI, SENZA NOSTRA APPROVAZIONE SCRITTA.

|             |                    |                |        |
|-------------|--------------------|----------------|--------|
| CRUMAR      |                    | MODEL: TRILOGY |        |
| DRAWN BY    | Bonanni G.         | REVISION       |        |
| DESIGNED BY | <i>[Signature]</i> | DATE           | 7/5/81 |