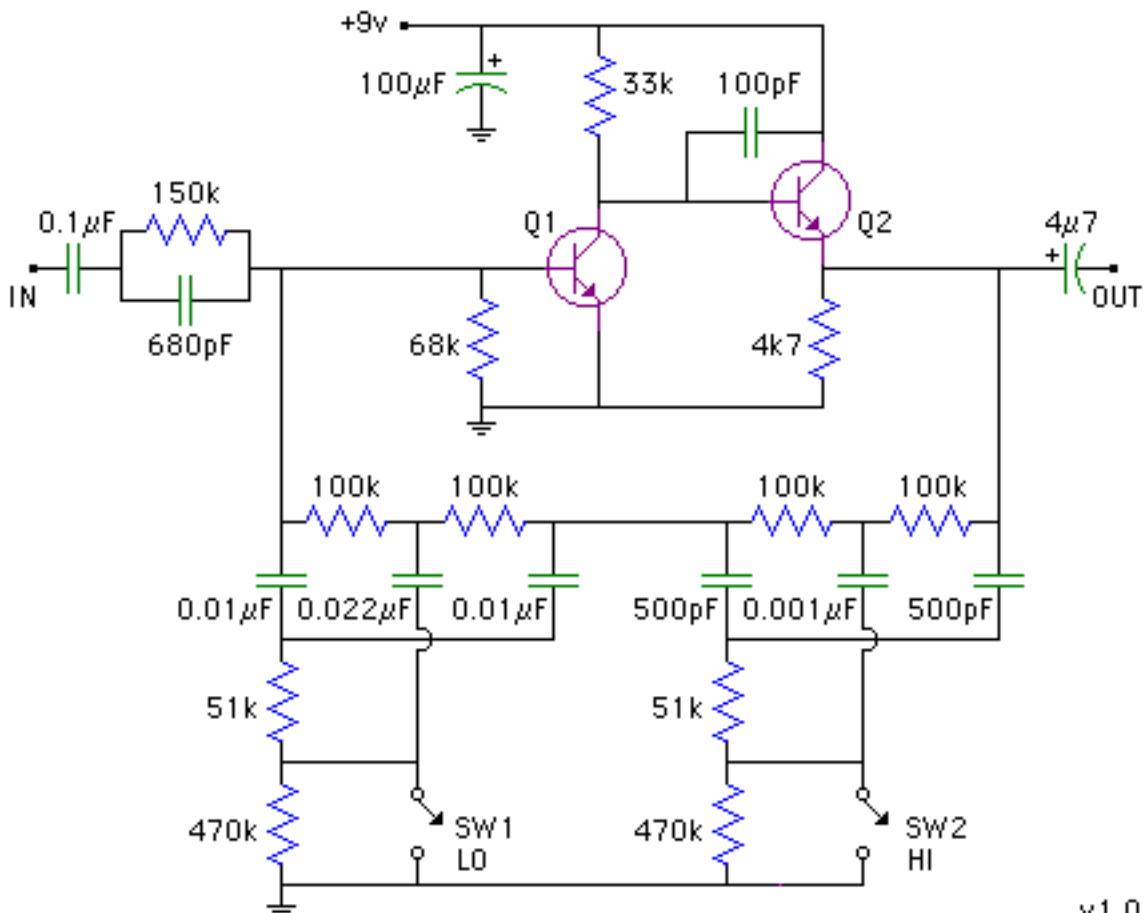


# PURPLE PEAKER



Q1, Q2: 2N5088  
SW1, SW2: SPST

v1.0  
based on a schematic by Aron Nelson  
©2003, runoffgroove.com