

# EKO

# EKO COMPUTER RHYTHM

## Service Manual

This document has been remastered from the original by completing missing parts from a working Computerhythm.

It is absolutely forbidden to sell and use for profit.

this is distributed like historical documentation of this particular instrument.

All trademarks mentioned are property of respective owners.

The man of Ekocomputerhythm

Project by  
Aldo Paci

Designed of cabinet and schematic

Giuseppe Censori

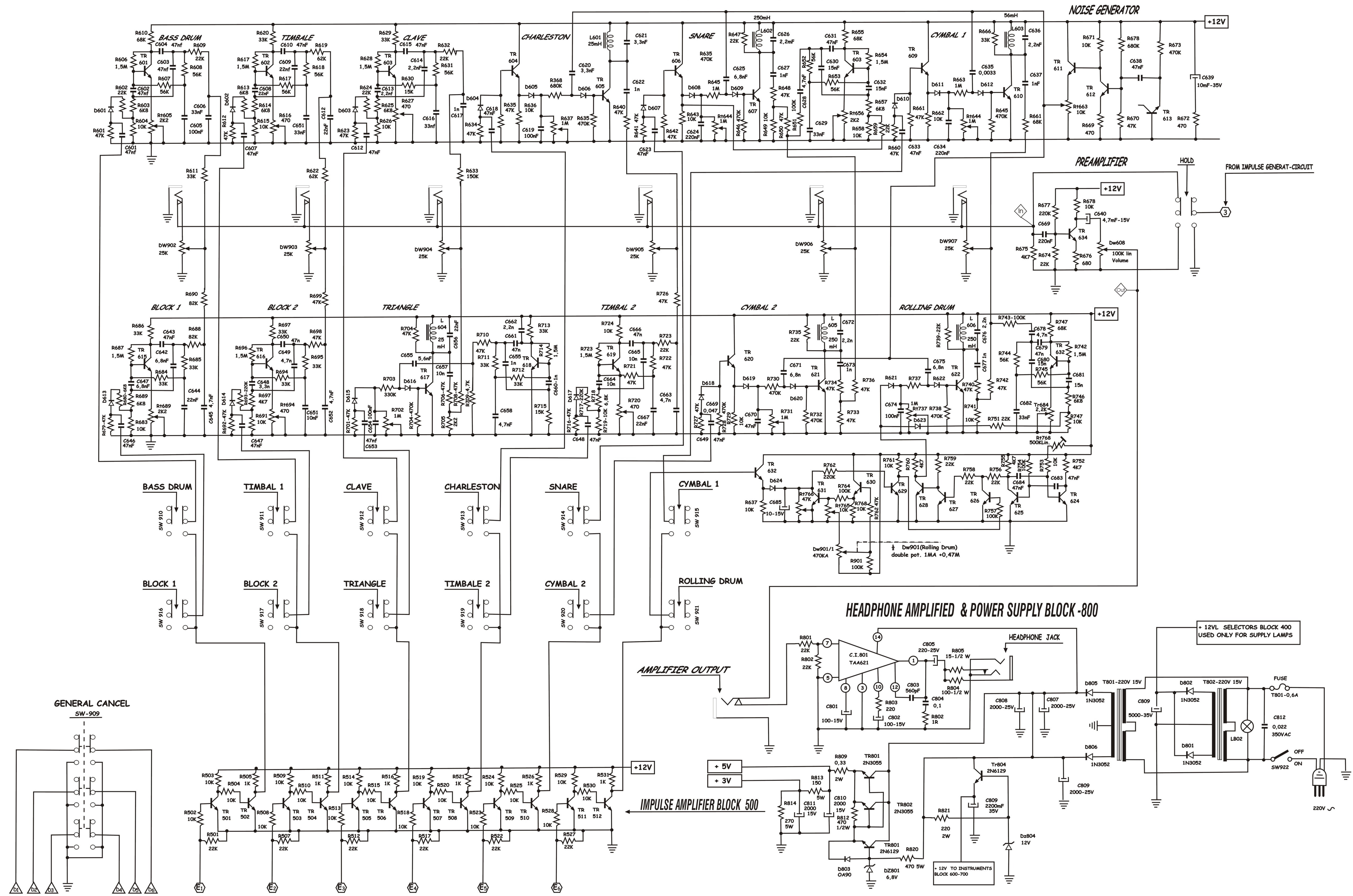
Designed of PCB  
Urbano Mancinelli

Remastering by  
Marco Molendi

*Siamo stati fantascientifici lo avevano capito tutti meno che noi..*

*G. C.*

# INSTRUMENTAL SECTION BLOCK -600-700



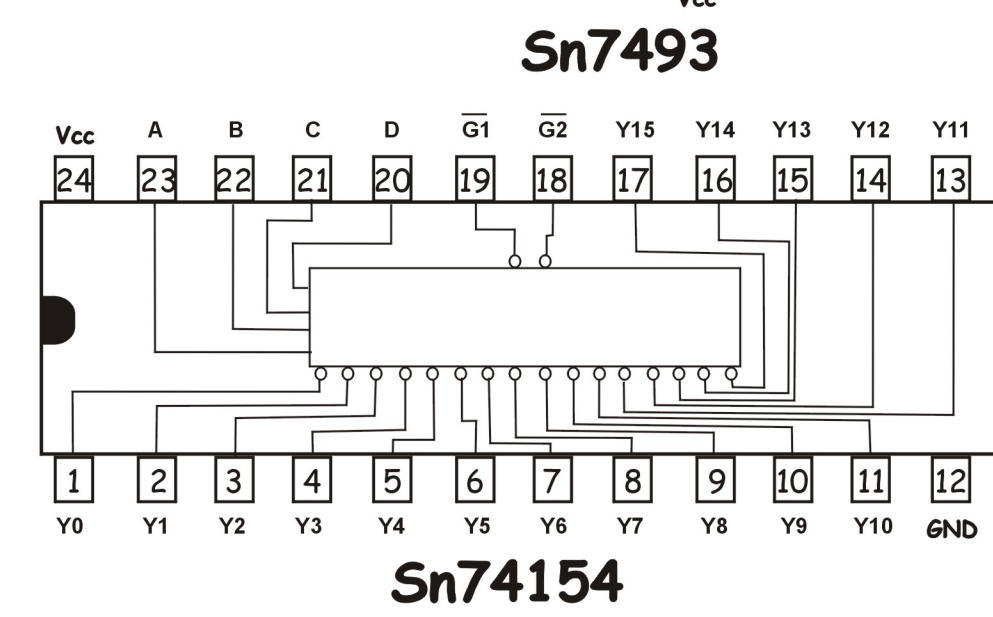
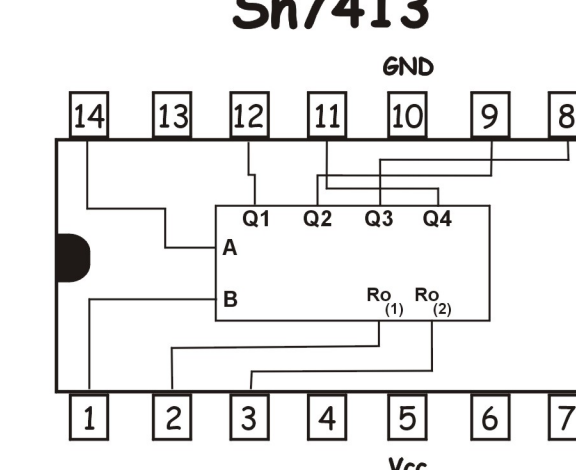
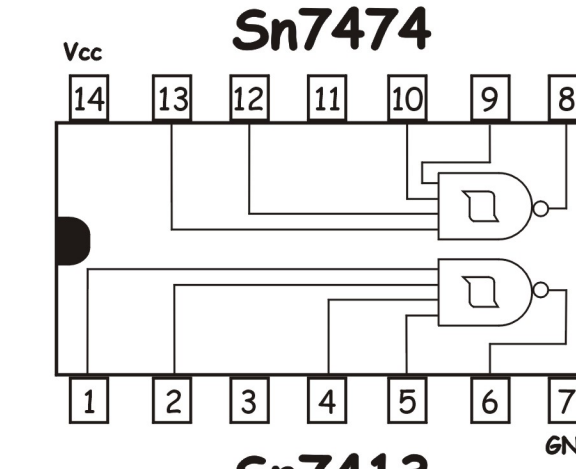
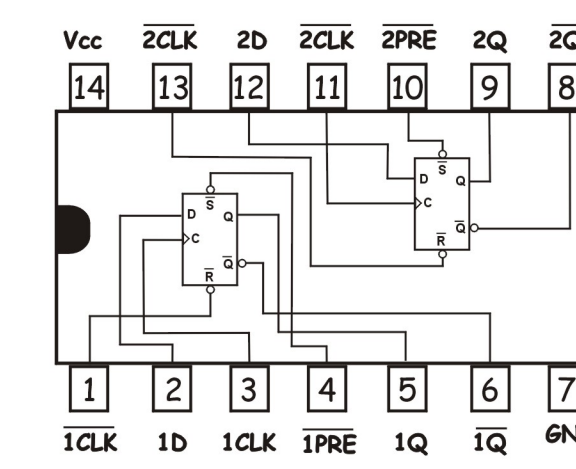
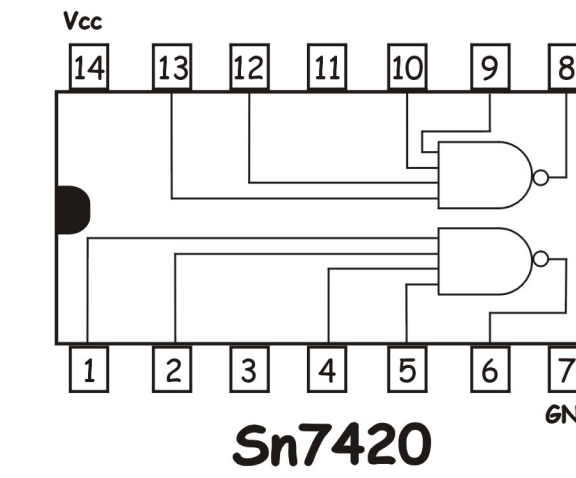
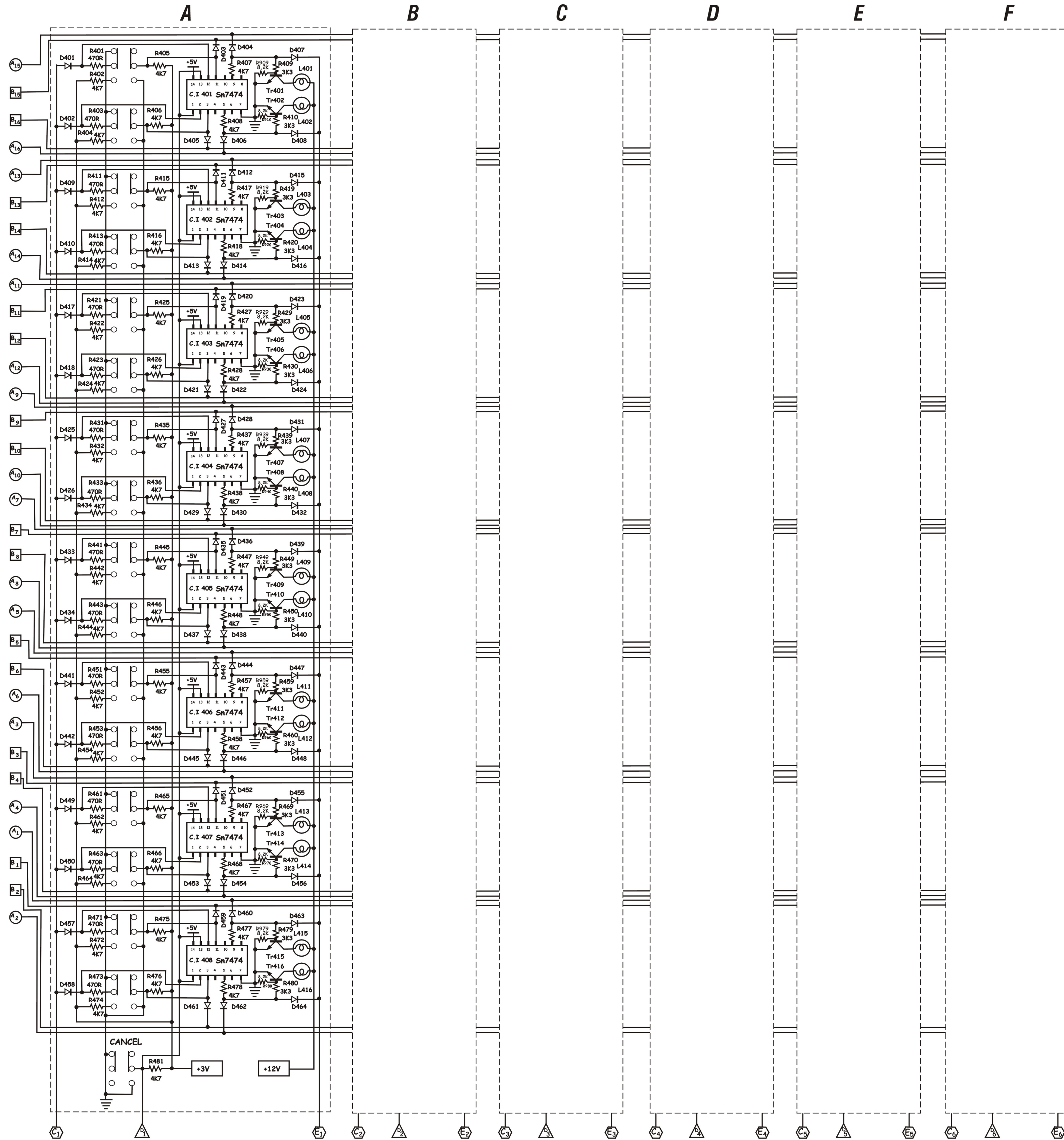
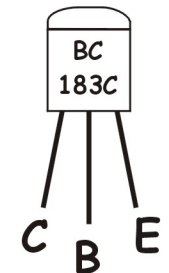
<b>EKO RECANATI</b>		Documentazione	
<b>ELECTRIC SCHEMATIC</b>			
PROJECT BY	16/10/1974	Paci Aldo	SERVER PER:
ORIGINAL SCHEMATIC DRAW BY	16/10/1974	Censori Giuseppe	COMPUTERHYTHM
ORIGINAL PCB DRAW BY	16/10/1974	Mancinelli Urbano	SCALA
RESTORED OF SCHEMATIC by	Marco Molendi Forbiten the sell!!!		CODICE
02/06/2017	this documents is only for free use		NUMERO
			<b>356</b>



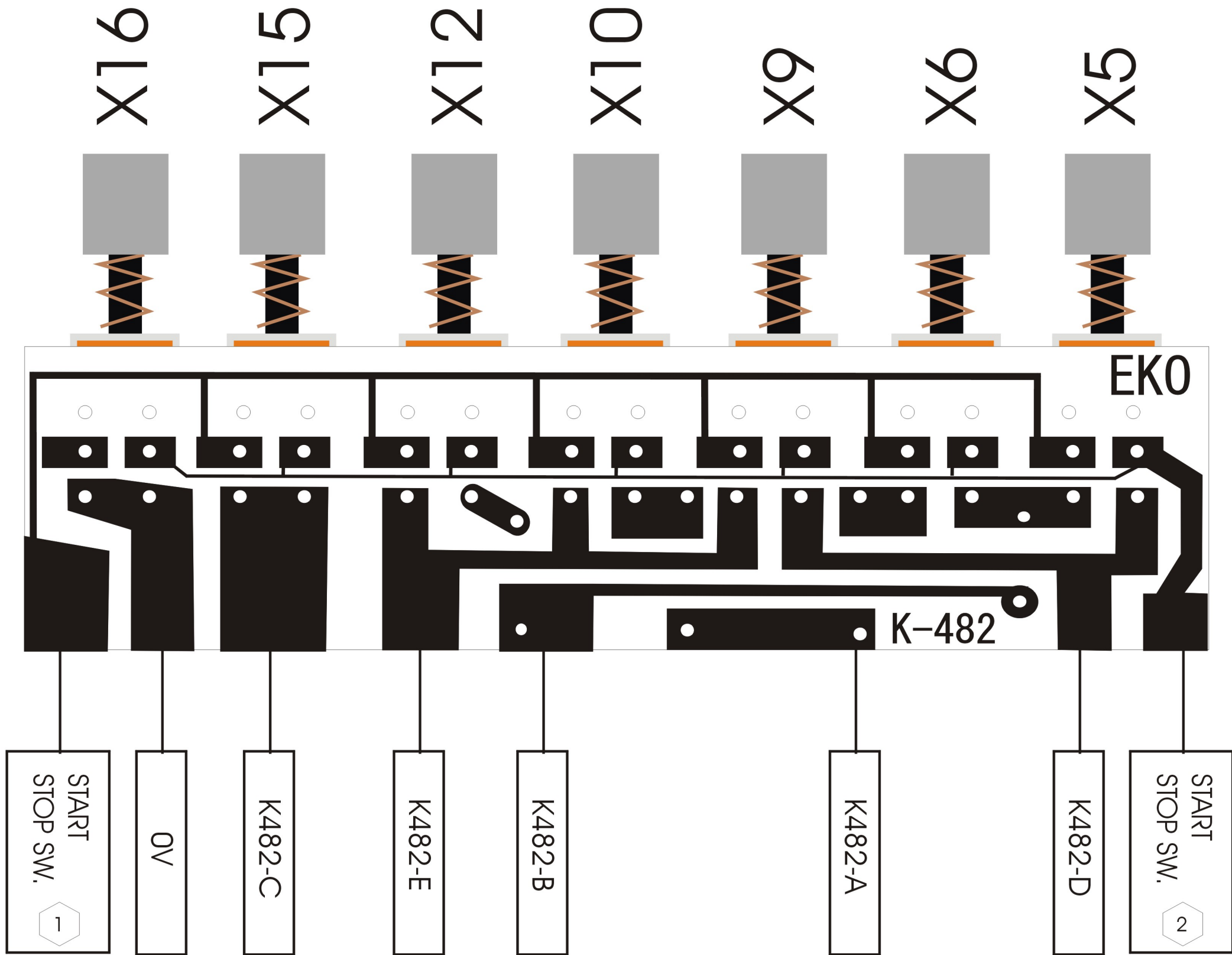
IMPULSE SELECTORS BLOCK 400-TYPE 6-

NOTES

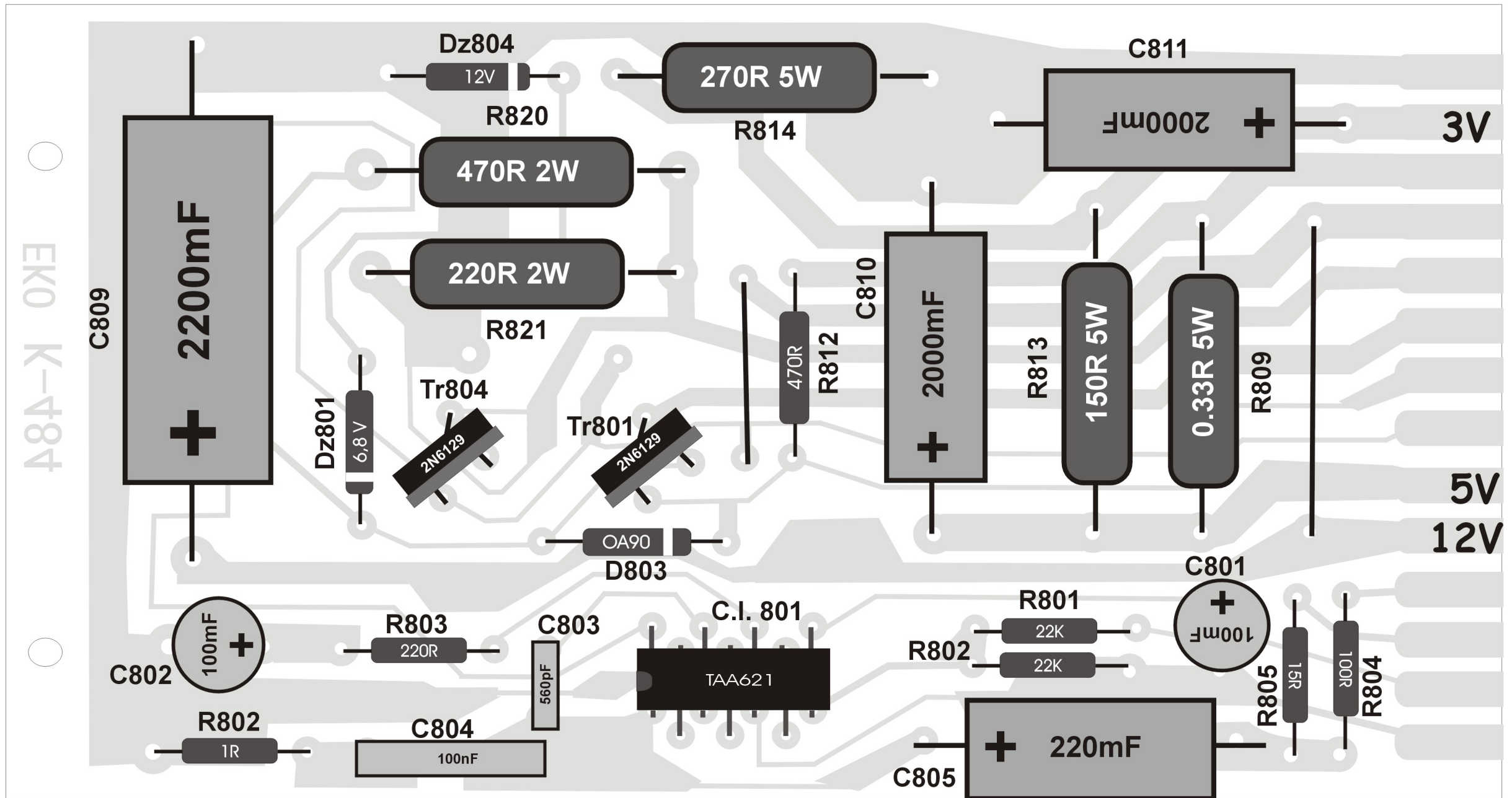
ALL TR. ARE BC173C OR EQUIVALENTS UNLESS OTHERWISE INDICATED  
 ALL DIODE ARE D525A OR EQUIVALENTS UNLESS OTHERWISE INDICATED  
 ALL CAPACITORS ARE M.F.D. UNLESS OTHERWISE INDICATED  
 ALL RESISTORS  $\pm$  W10% UNLESS OTHERWISE INDICATED



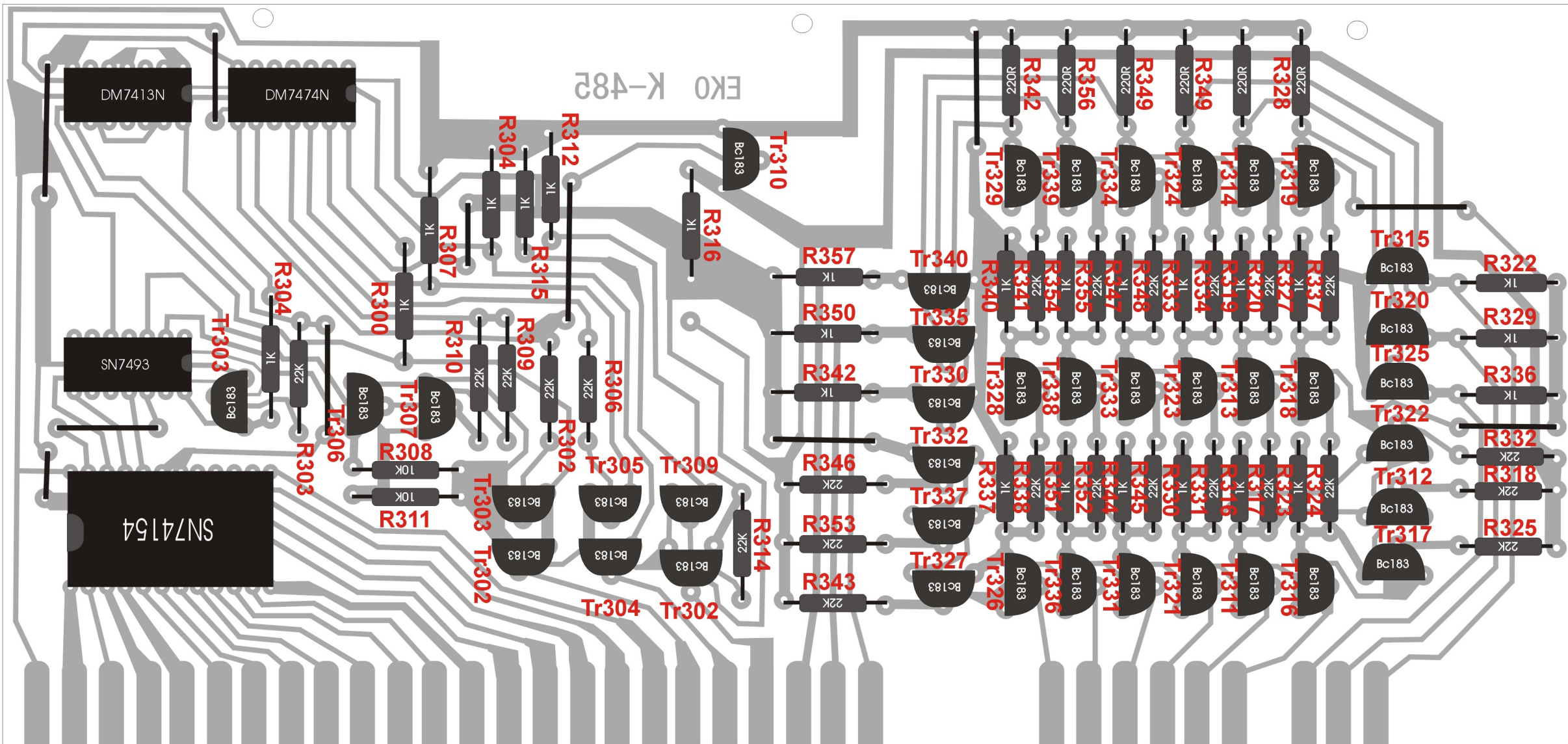
<b>EKO</b> RECANATI			Documentazione		
PROJECT BY 16/10/1974 Paci Aldo			<i>ELECTRIC SCHEMATIC</i>		
ORIGINAL SCHEMATIC DRAW BY 16/10/1974 Censori Giuseppe	SERVER PER: COMPUTERHYTHM		NUMERO		
ORIGINAL PCB DRAW BY 16/10/1974 Mancinelli Urbano	SCALA	CODICE		356	
RESTORED OF SCHEMATIC by 02/06/2017 Marco Molendi Forbitten the sell!!!	this documents is only for free use				



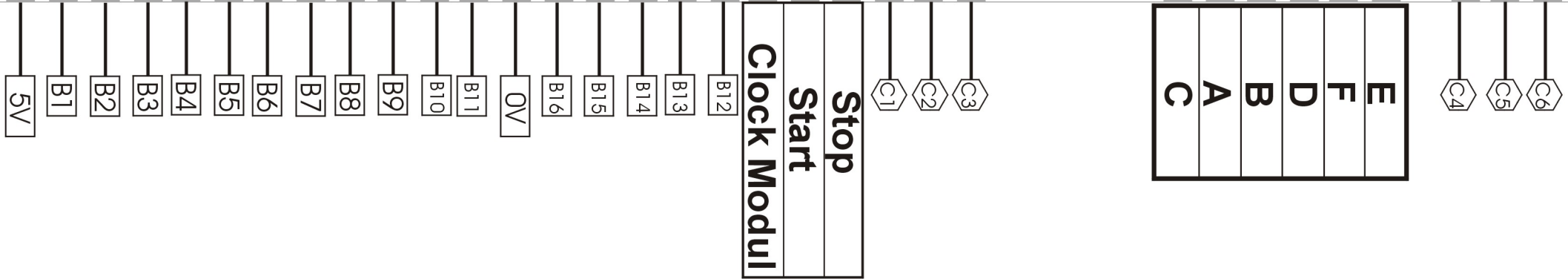
<b>EKO</b> RECANATI			Documentazione <i>ELECTRIC SCHEMATIC</i>		
PROJECT BY 16/10/1974 Paci Aldo			<i>TIME SIGNATURE CHANGE</i>		
ORIGINAL SCHEMATIC DRAW BY	16/10/1974	Censori Giuseppe	SERVER PER: COMPUTERHYTHM		
ORIGINAL PCB DRAW BY	16/10/1974	Mancinelli Urbano	SCALA	CODICE	NUMERO
RESTORED OF SCHEMATIC by	Marco Molendi				356
02/06/2017	Forbitten the sell!!! this documents is only for free use				



<b>EKO</b> RECANATI		Documentazione <i>ELECTRIC SCHEMATIC</i>	
		<i>POWER SUPPLY</i>	
PROJECT BY	16/10/1974	Paci Aldo	
ORIGINAL SCHEMATIC DRAW BY	16/10/1974	Censori Giuseppe	
ORIGINAL PCB DRAW BY	16/10/1974	SERVER PER:	COMPUTERHYTHM
RESTORED OF SCHEMATIC by	02/06/2017	SCALA	CODICE
Marco Molendi Forbitten the sell!!! this documents is only for free use		NUMERO	356

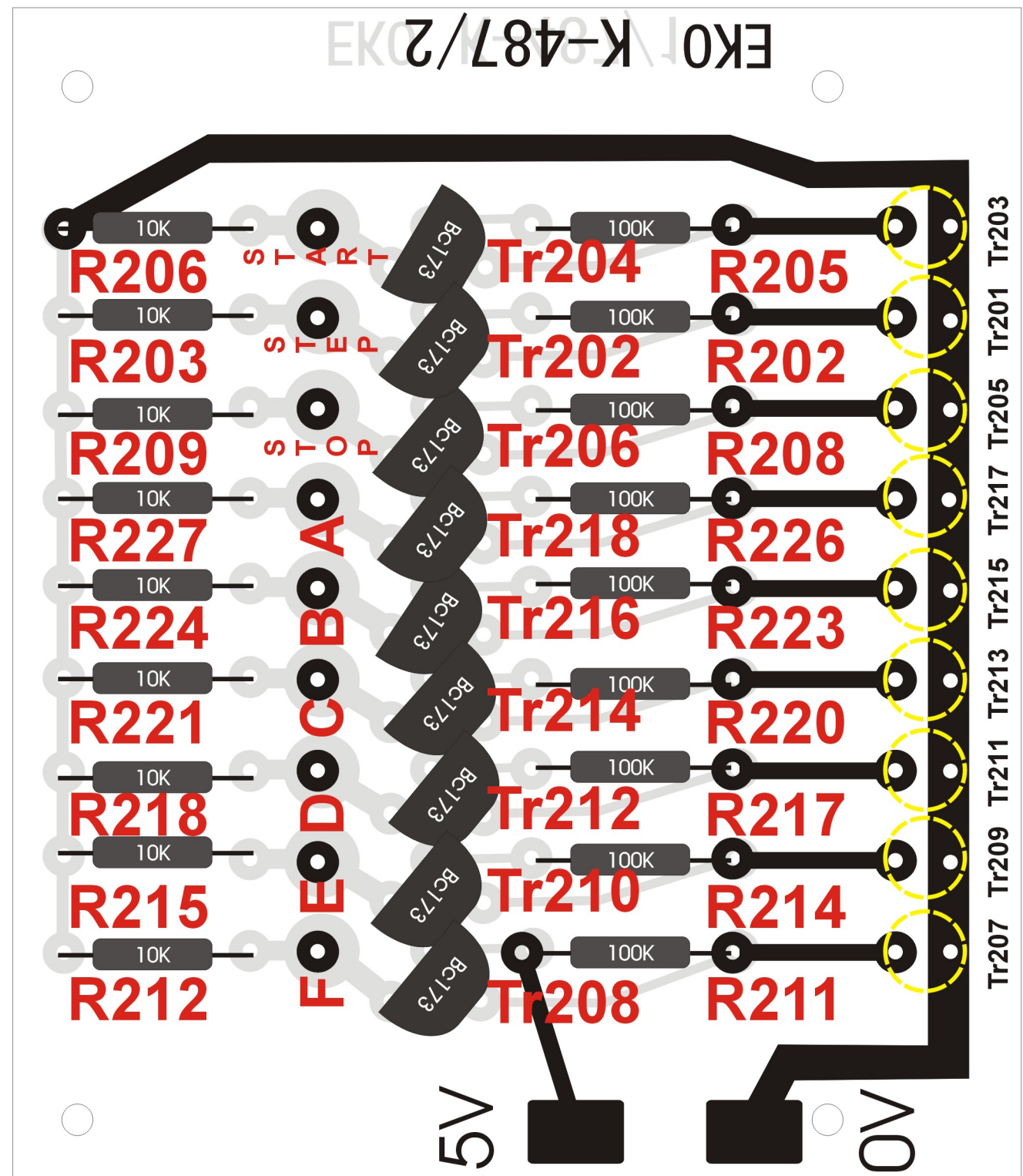
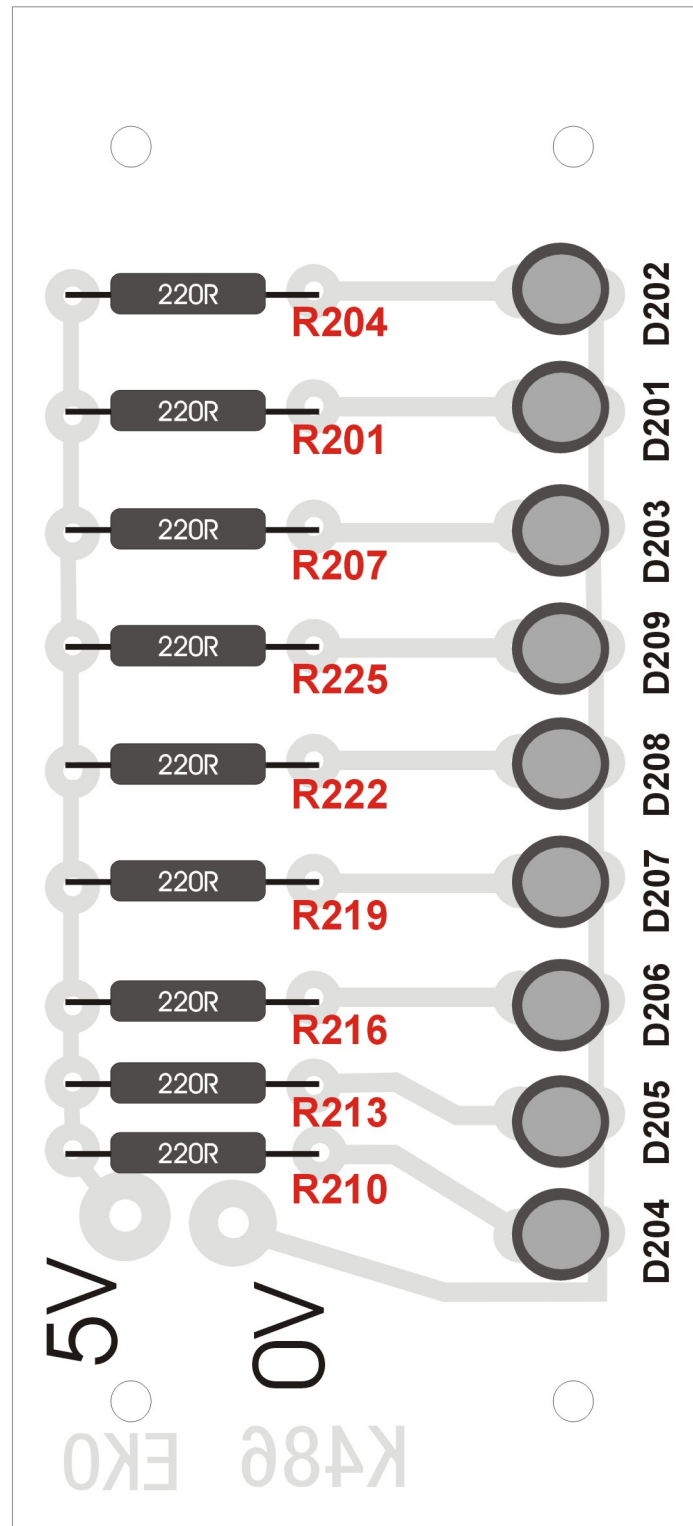


EKO K-482



<b>EKO</b> RECANATI		Documentazione <i>ELECTRIC SCHEMATIC</i>		
PROJECT BY 16/10/1974 Paci Aldo		<i>CARD DECODER</i>		
ORIGINAL SCHEMATIC DRAW BY 16/10/1974 Censori Giuseppe	SERVER PER: COMPUTERHYTHM	SCALA	CODICE	NUMERO
ORIGINAL PCB DRAW BY 16/10/1974 Mancinelli Urbano				356
RESTORED OF SCHEMATIC by 02/06/2017	Marco Molendi Forbitten the sell!!! this documents is only for free use			

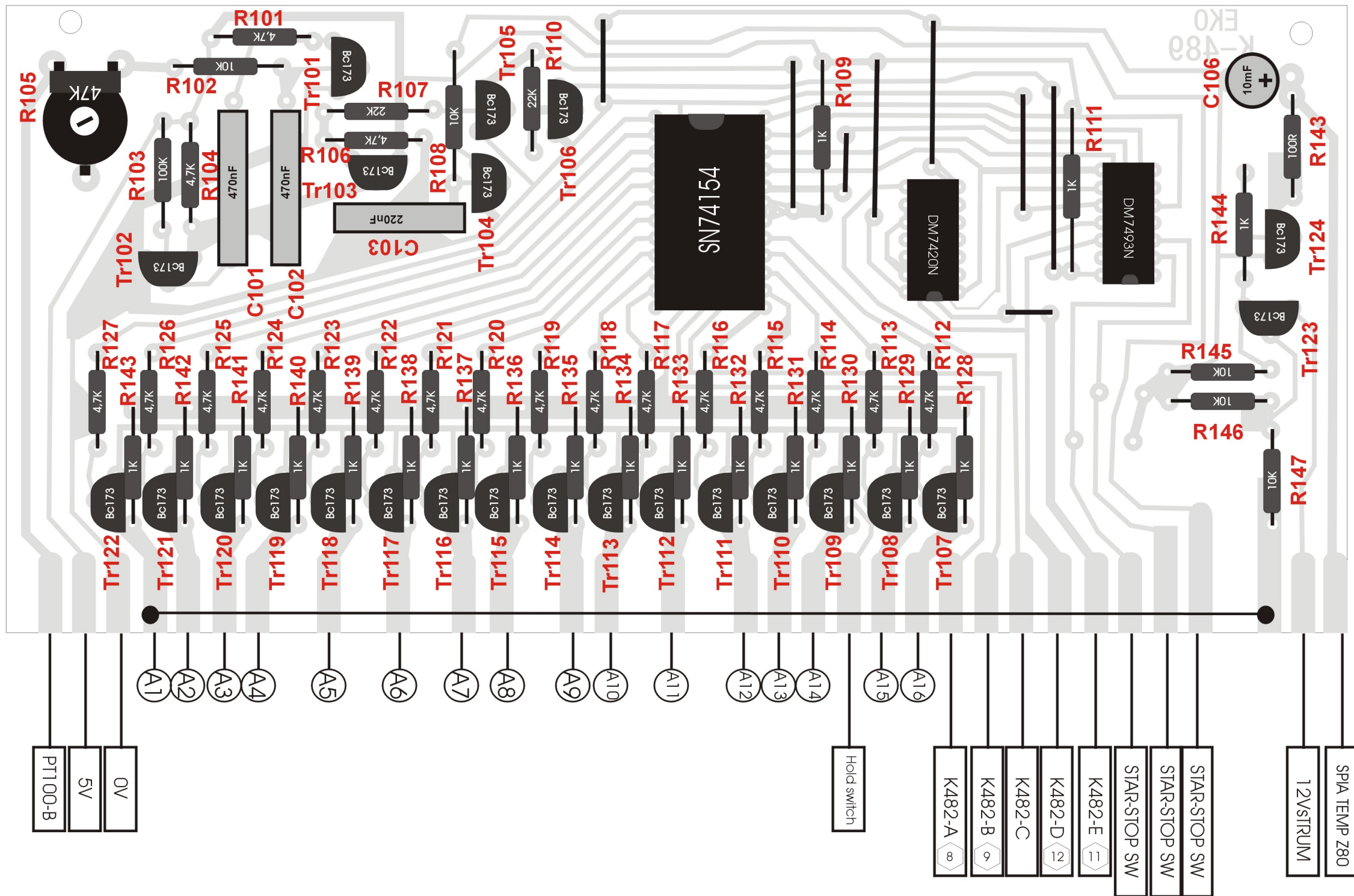
MODIFICHE



<b>EKO</b> RECANATI			Documentazione <i>ELECTRIC SCHEMATIC</i>		
PROJECT BY	16/10/1974	Paci Aldo	<i>CARD READER</i>		
ORIGINAL SCHEMATIC DRAW BY	16/10/1974	Censori Giuseppe			
ORIGINAL PCB DRAW BY	16/10/1974	Mancinelli Urbano	SERVER PER:	<i>COMPUTERHYTHM</i>	
RESTORED OF SCHEMATIC by	Marco Molendi Forbitten the sell!!! this documents is only for free use		SCALA	CODICE	NUMERO
02/06/2017					356





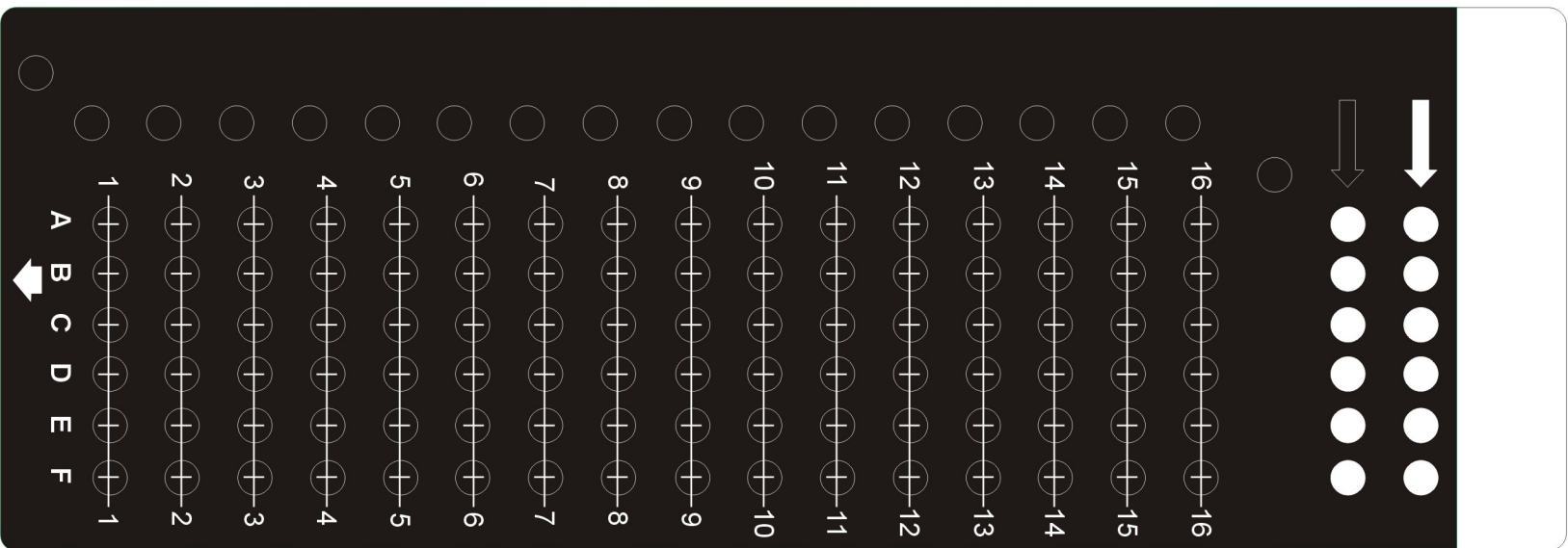
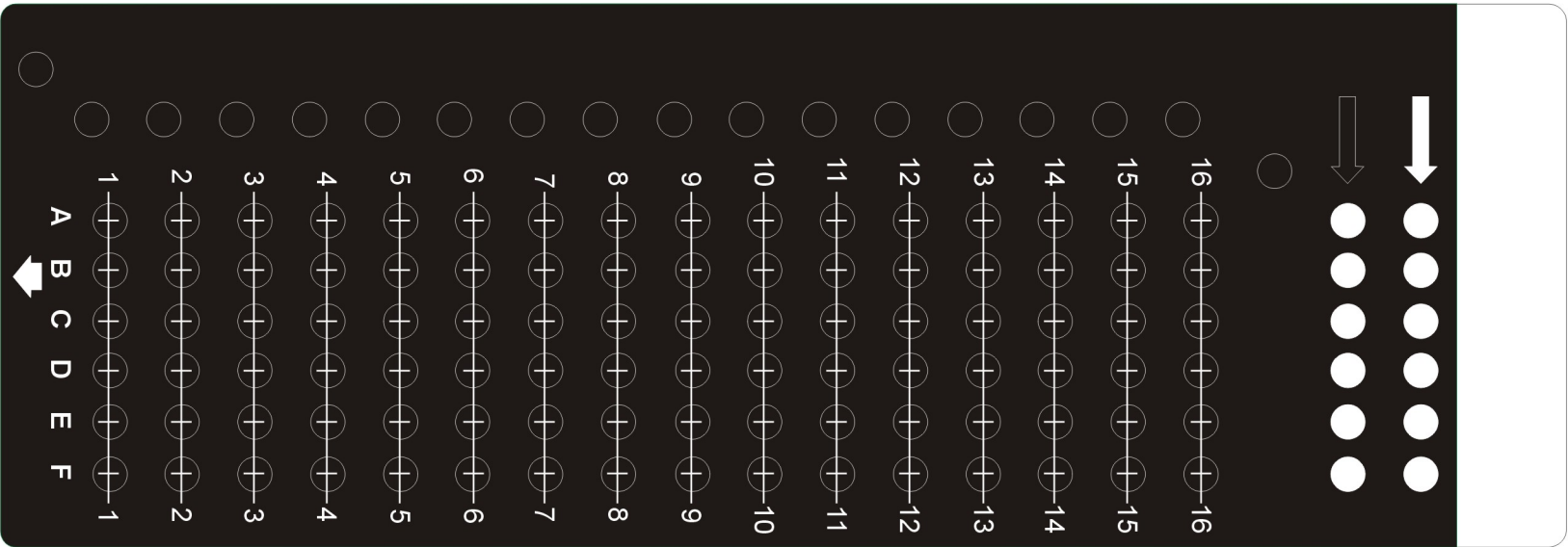
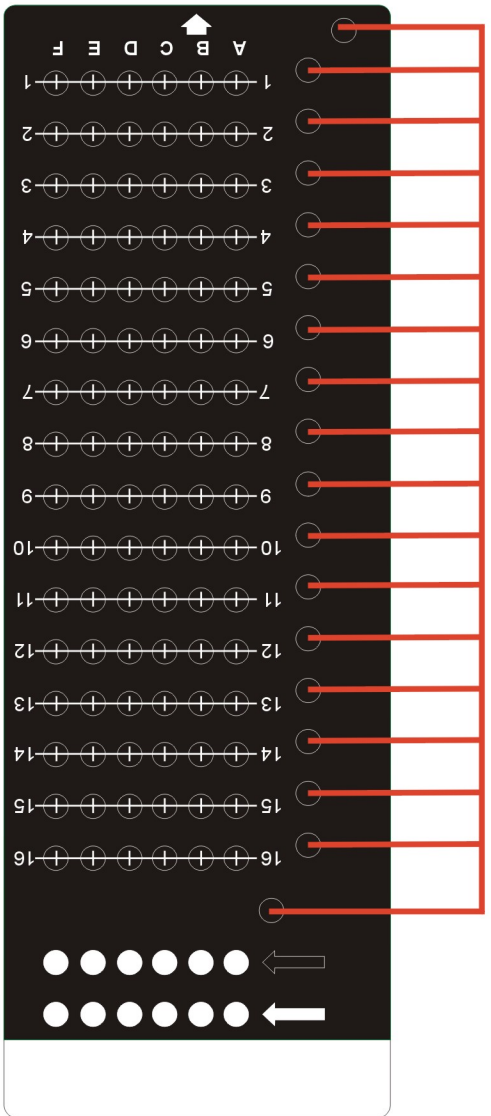


<b>EKO</b> RECANATI		Documentazione <i><b>ELECTRIC SCHEMATIC</b></i>	
PROJECT BY 16/10/1974 Paci Aldo		SERVER PER: <i><b>COMPUTERHYTHM</b></i>	
ORIGINAL SCHEMATIC DRAW BY 16/10/1974 Censori Giuseppe	ORIGINAL PCB DRAW BY 16/10/1974 Mancinelli Urbano	SCALA	CODICE
RESTORED OF SCHEMATIC by 02/06/2017 Marco Molendi Forbitten the sell!!! this documents is only for free use			NUMERO <b>356</b>

MODIFICHE



All Perforated



Scale 1:1

<b>EKO</b> RECANATI		Documentazione <i>ELECTRIC SCHEMATIC</i>	
PROJECT BY	16/10/1974	Paci Aldo	
ORIGINAL SCHEMATIC DRAW BY	16/10/1974	Censori Giuseppe	
ORIGINAL PCB DRAW BY	16/10/1974	Mancinelli Urbano	
RESTORED OF SCHEMATIC by	Marco Molendi		
02/06/2017	Forbitten the sell!!!		
		SERVER PER:	COMPUTERHYTHM
SCALA	CODICE	NUMERO	
		356	

MODIFICHE