



CAPRI

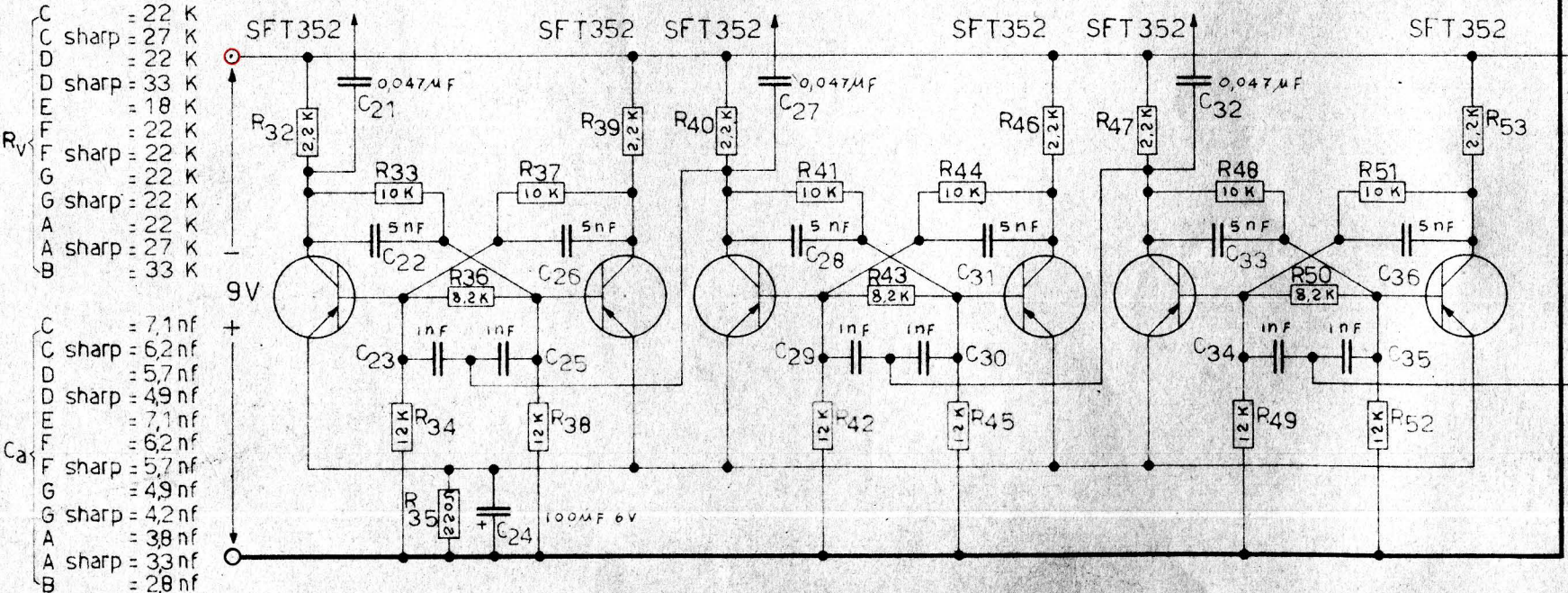
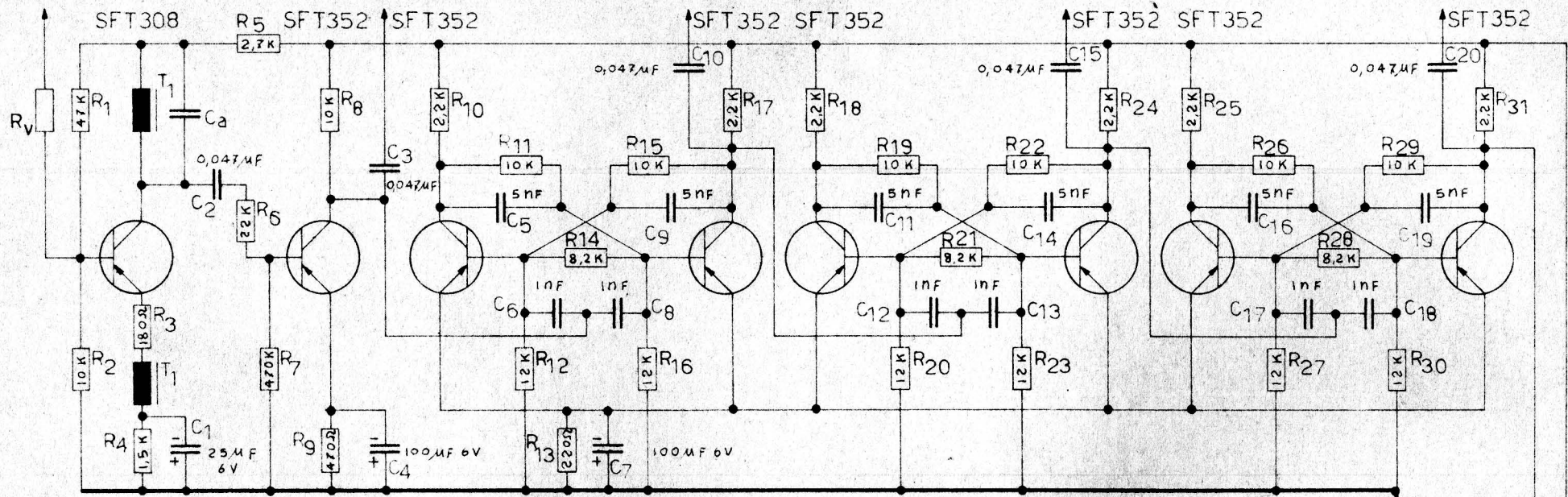
PANTHER
300

CAPRI

SCHEMATIC DIAGRAM FOR
CAPRI or PANTHER 300

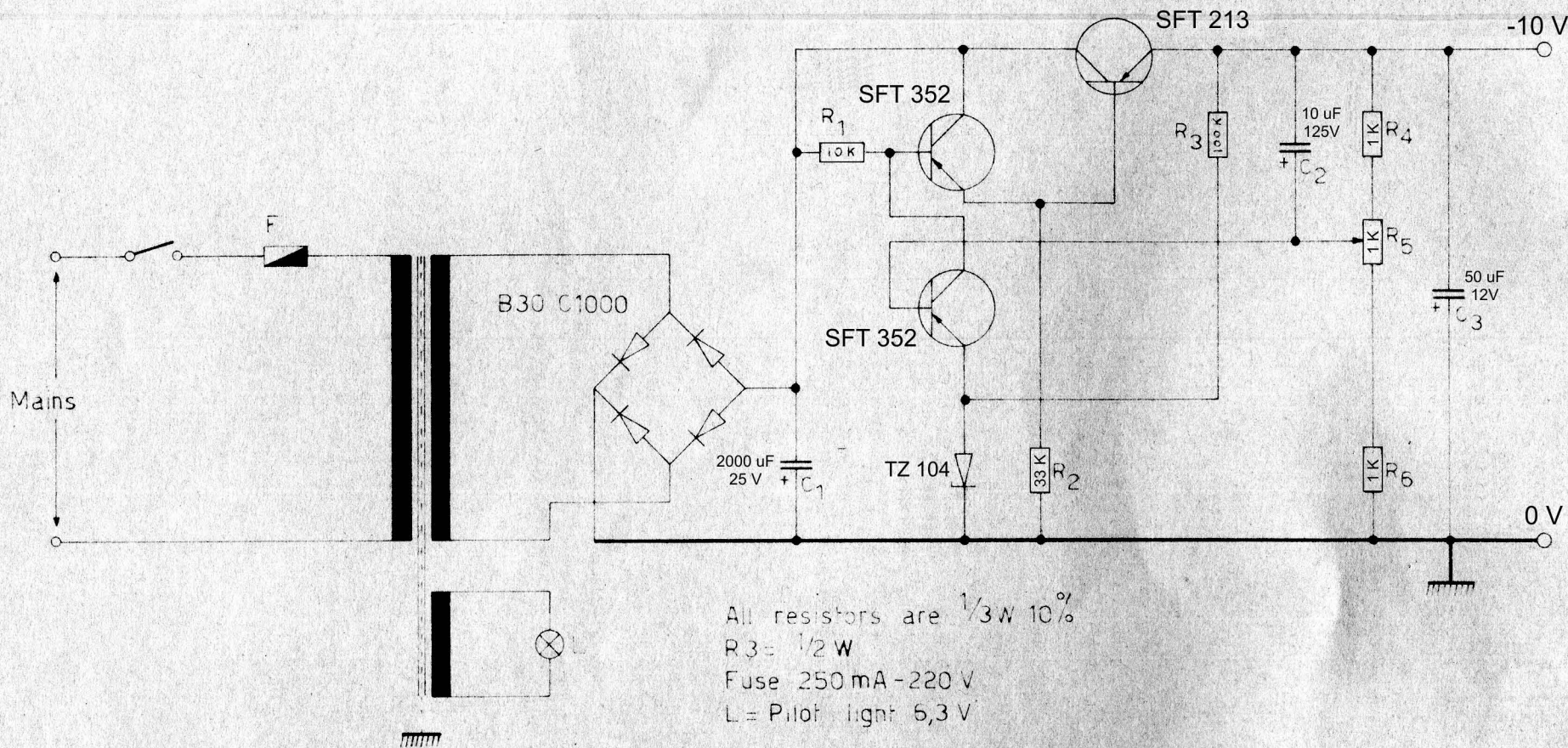
ELKA
ELECTRONICS

tone GENERATOR MODULE CIRCUIT

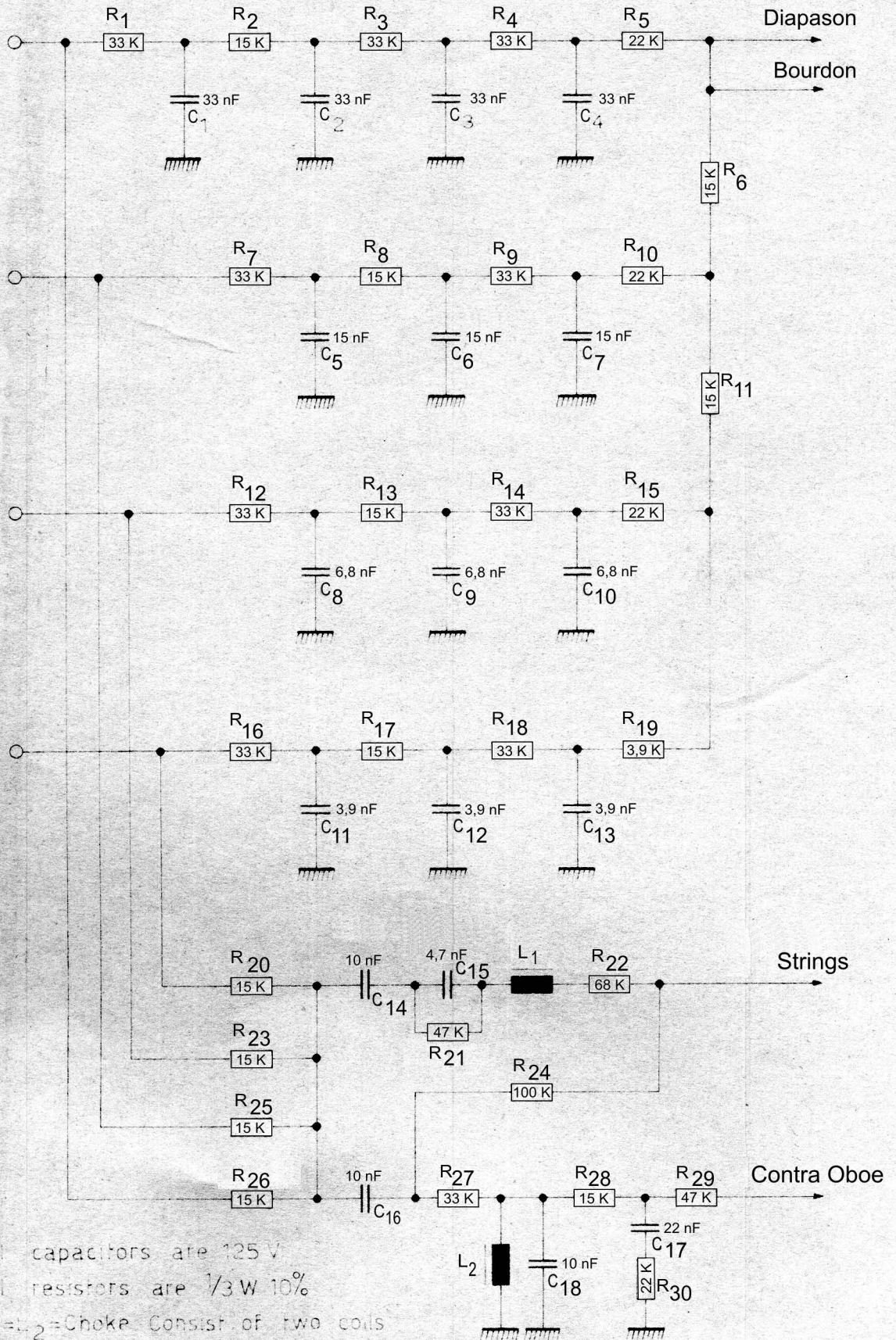


- | | |
|---------|--------|
| C | = 22 K |
| C sharp | = 27 K |
| D | = 22 K |
| D sharp | = 33 K |
| E | = 18 K |
| F | = 22 K |
| F sharp | = 22 K |
| G | = 22 K |
| G sharp | = 22 K |
| A | = 22 K |
| A sharp | = 27 K |
| B | = 33 K |
-
- | | |
|---------|---------|
| C | = 7.1nf |
| C sharp | = 6.2nf |
| D | = 5.7nf |
| D sharp | = 4.9nf |
| E | = 7.1nf |
| F | = 6.2nf |
| F sharp | = 5.7nf |
| G | = 4.9nf |
| G sharp | = 4.2nf |
| A | = 3.8nf |
| A sharp | = 3.3nf |
| B | = 2.8nf |

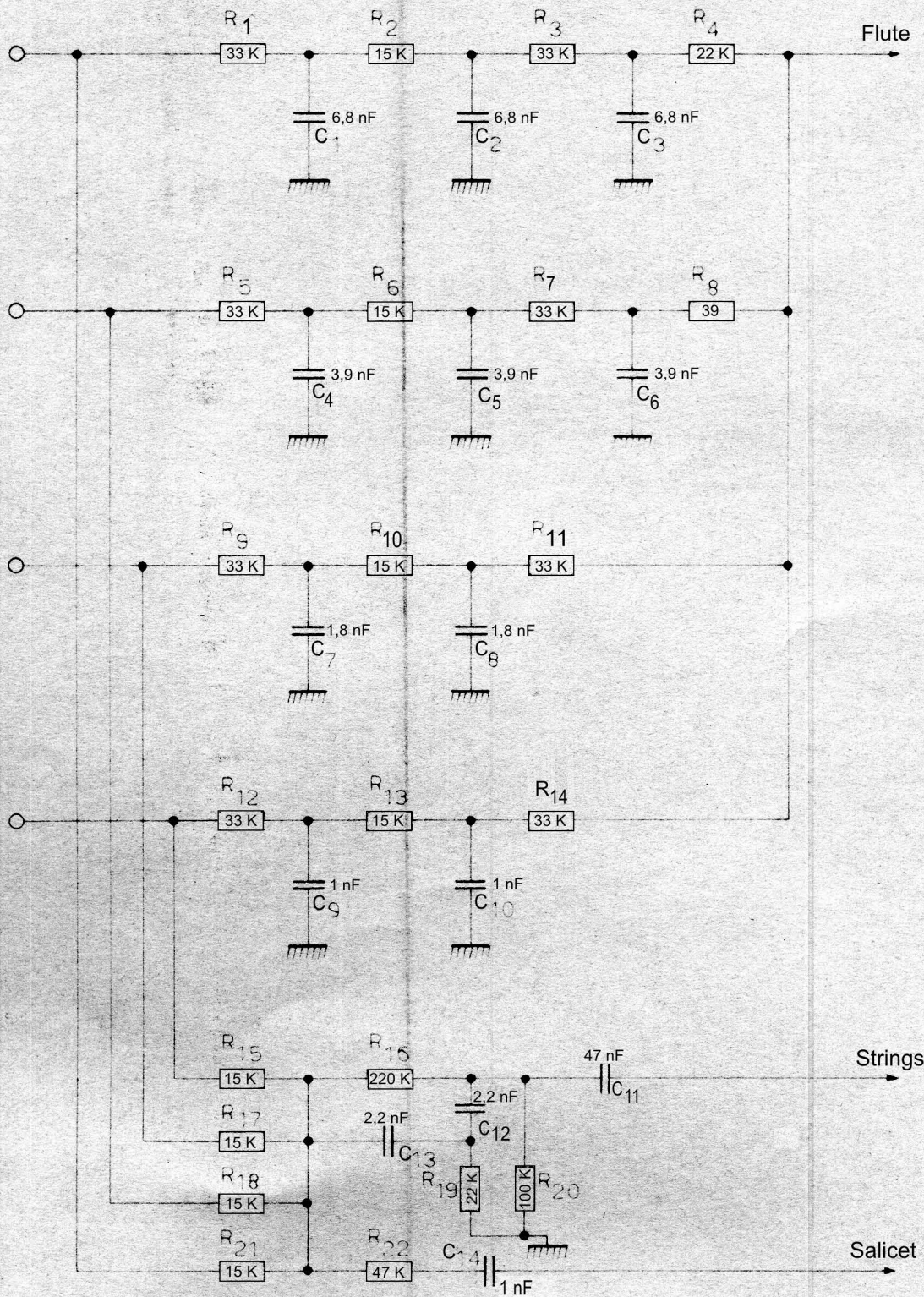
POWER SUPPLY CIRCUIT



All resistors are $\frac{1}{3}W$ 10%
 R3 = $\frac{1}{2}W$
 Fuse 250 mA - 220 V
 L = Pilot light 6,3 V

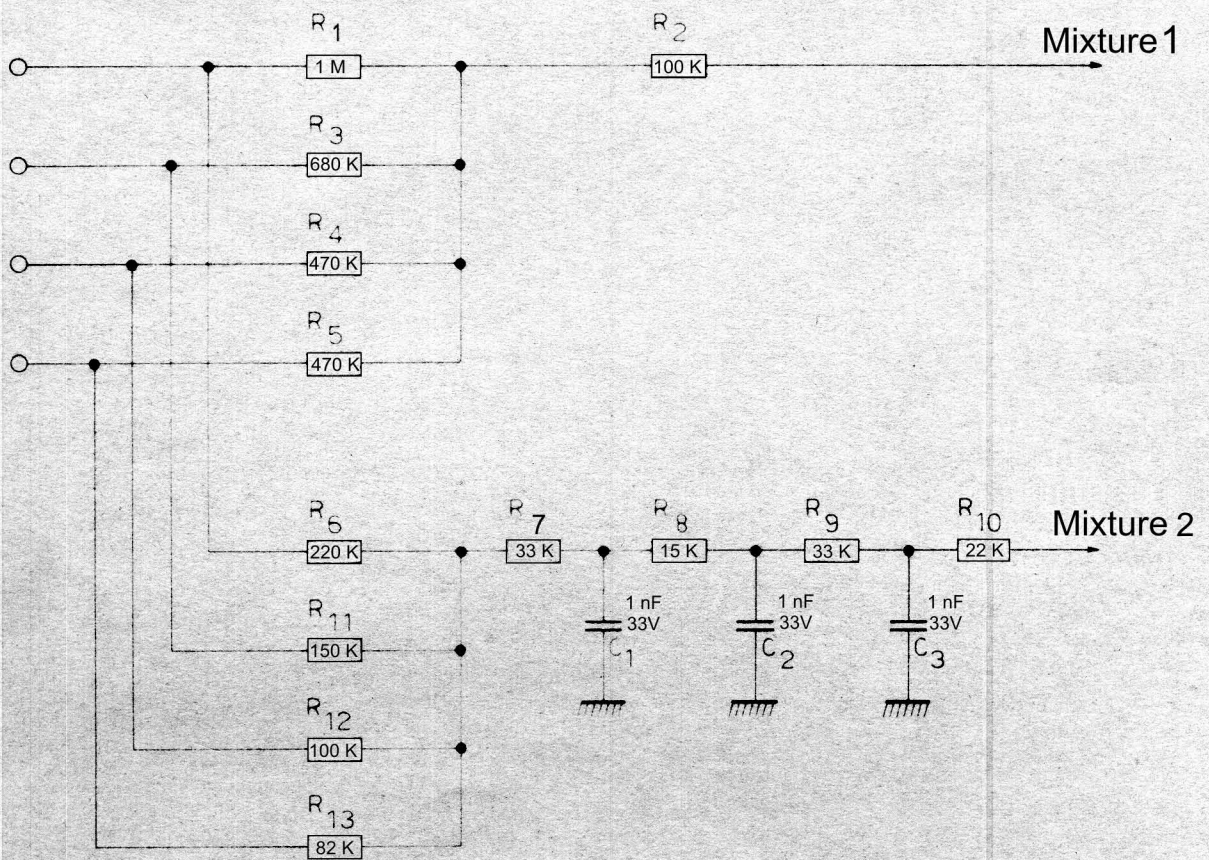


All capacitors are 125 V
 All resistors are 1/3 W 10%
 L₁=L₂=Choke. Consist of two coils
 in series n₁=n₂=1900 turns



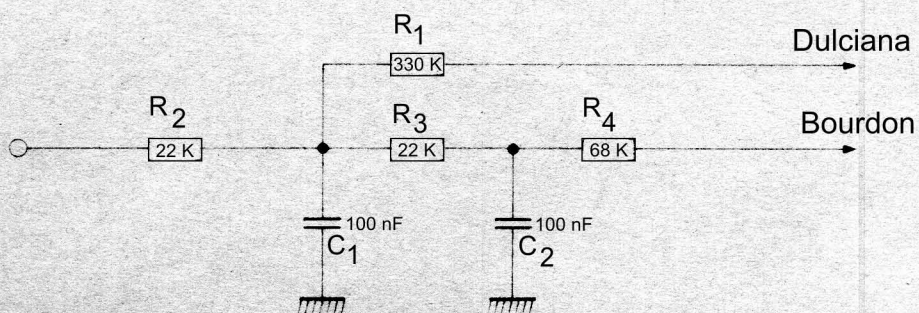
All resistors are 1/3W 10%

All capacitors are 125V



All resistors are 1/3W 10%

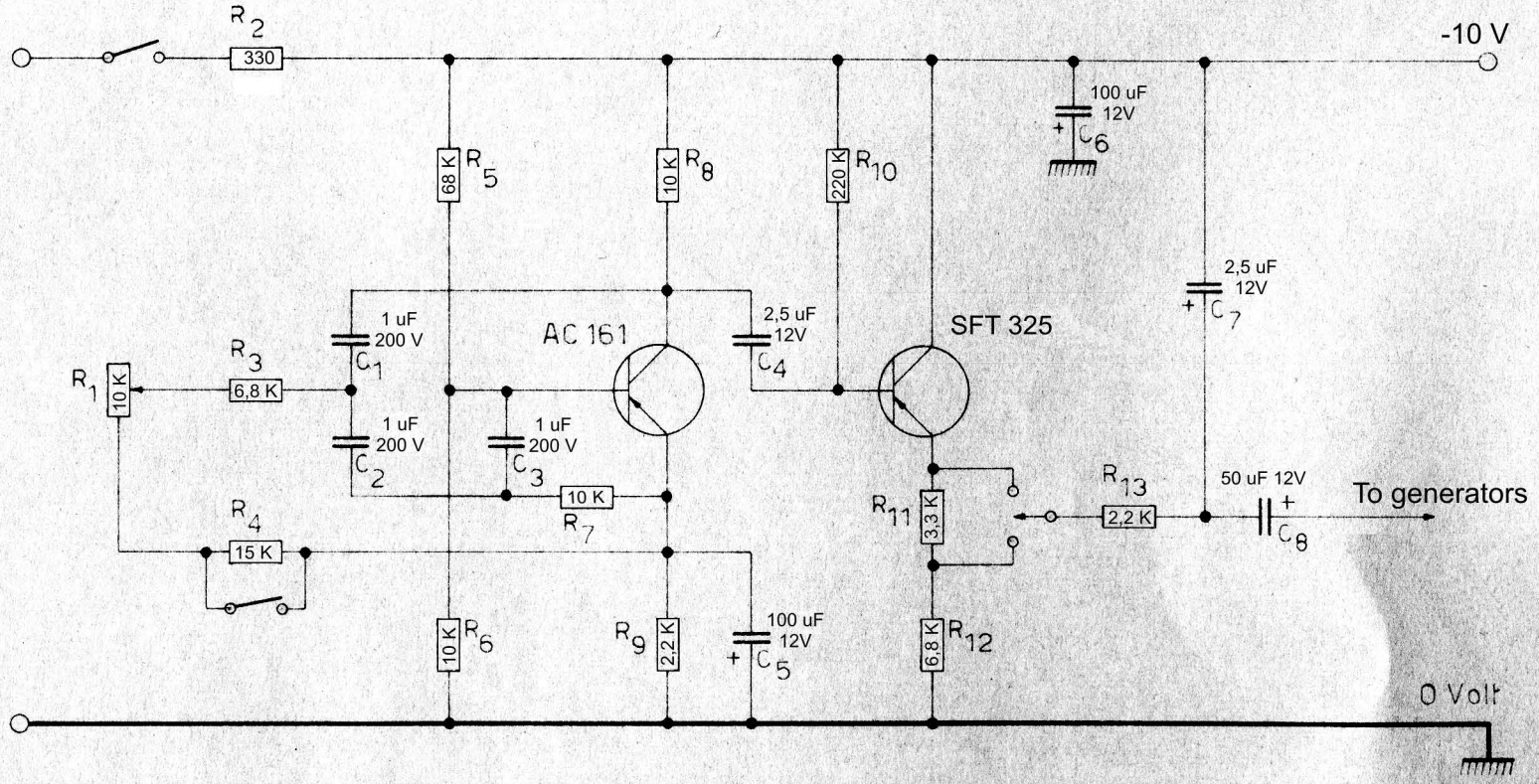
Handwritten signature



All resistors are $\frac{1}{3}W$ 10%

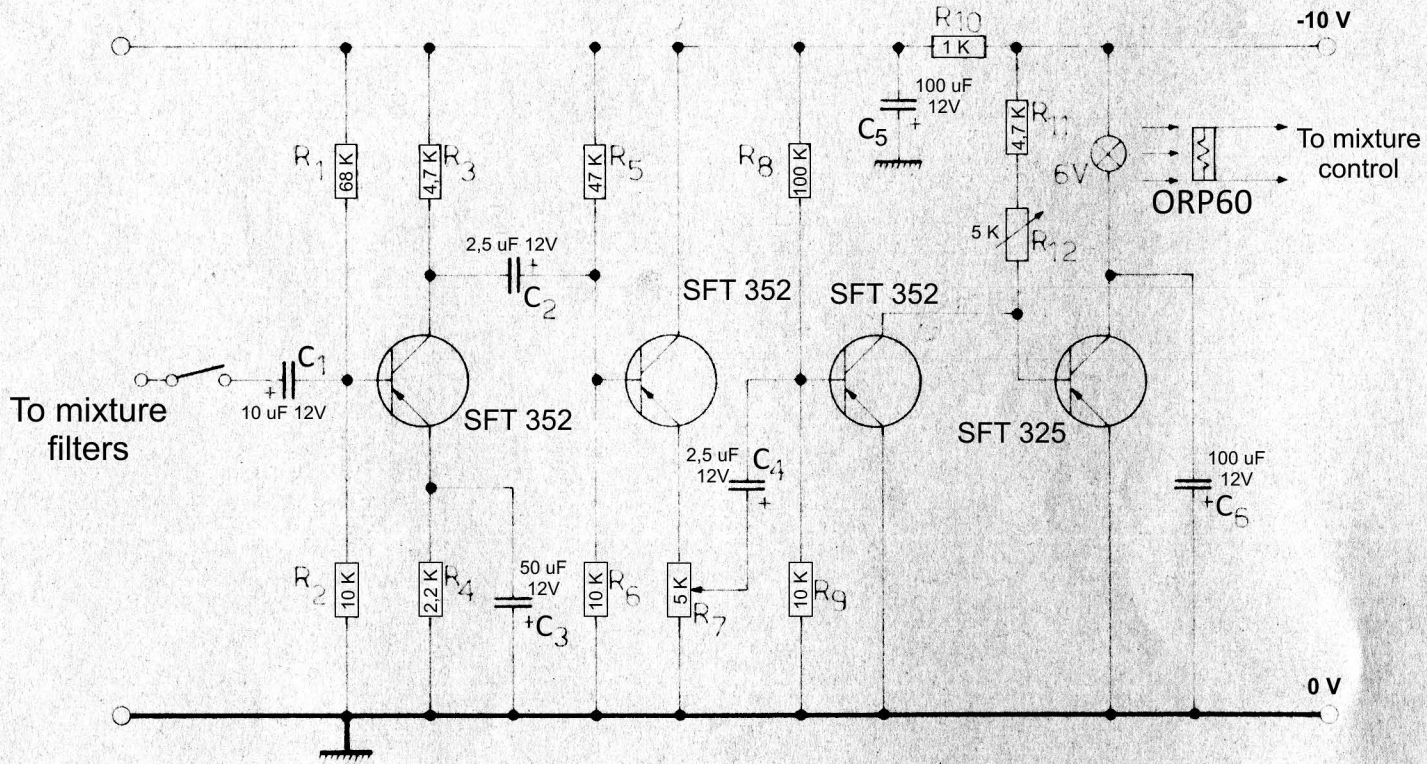
All capacitors are 125 V

VIBRATO OSCILLATOR CIRCUIT



All resistors are 1/3 W 10%

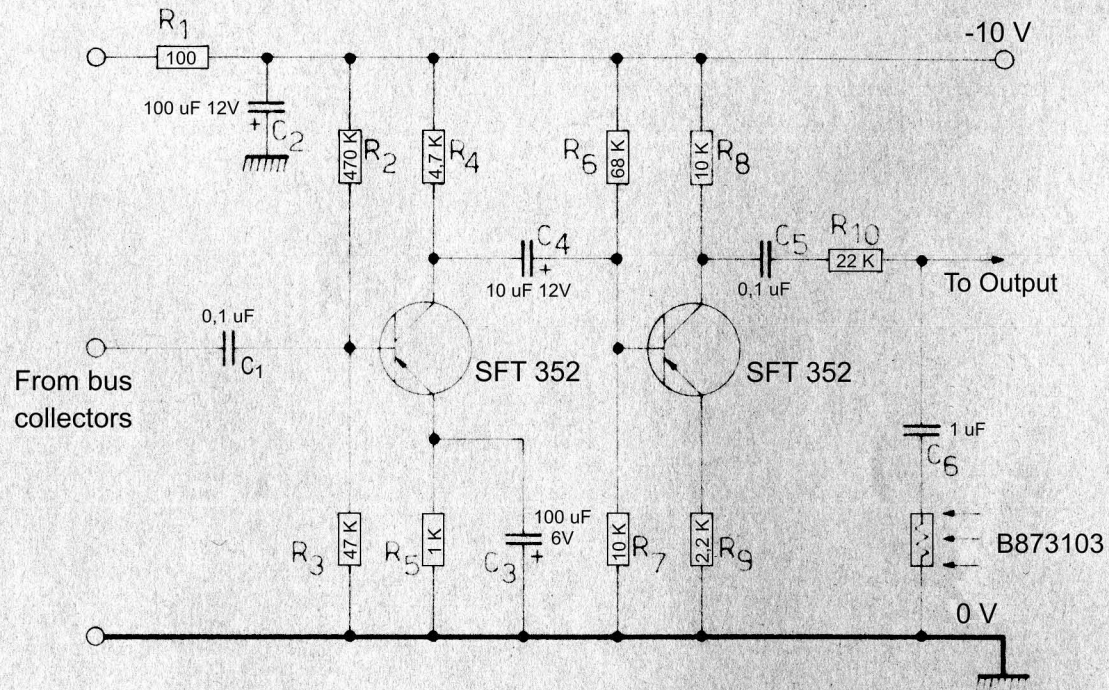
ELKA ELECTRONICS



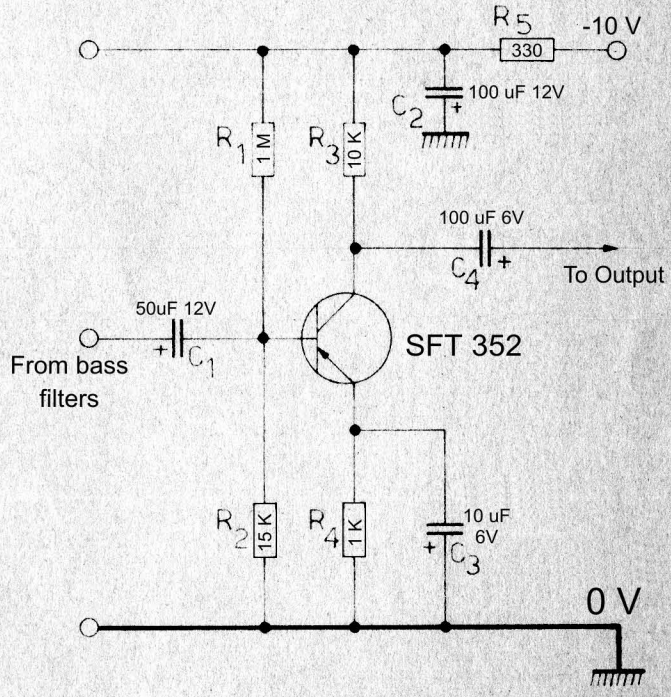
All resistors are 1/3 W 10%

Handwritten signature

SOLO OUTPUT AMPLIFIER



All resistors are 1/3 W 10%



All resistors are 1/3W 10%

Handwritten signature