

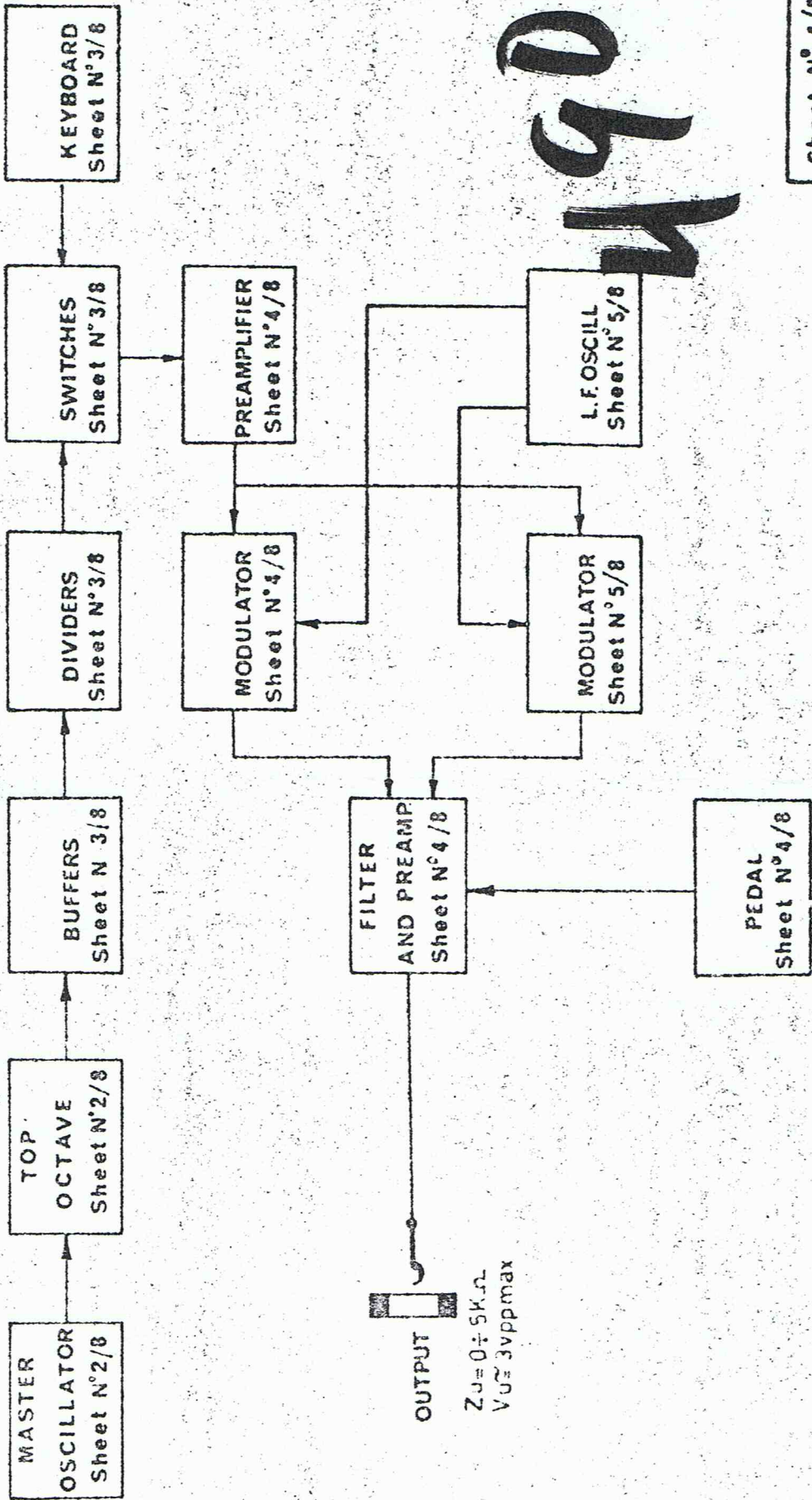
**ELKA**

*Elka Rhapsody 490*

---

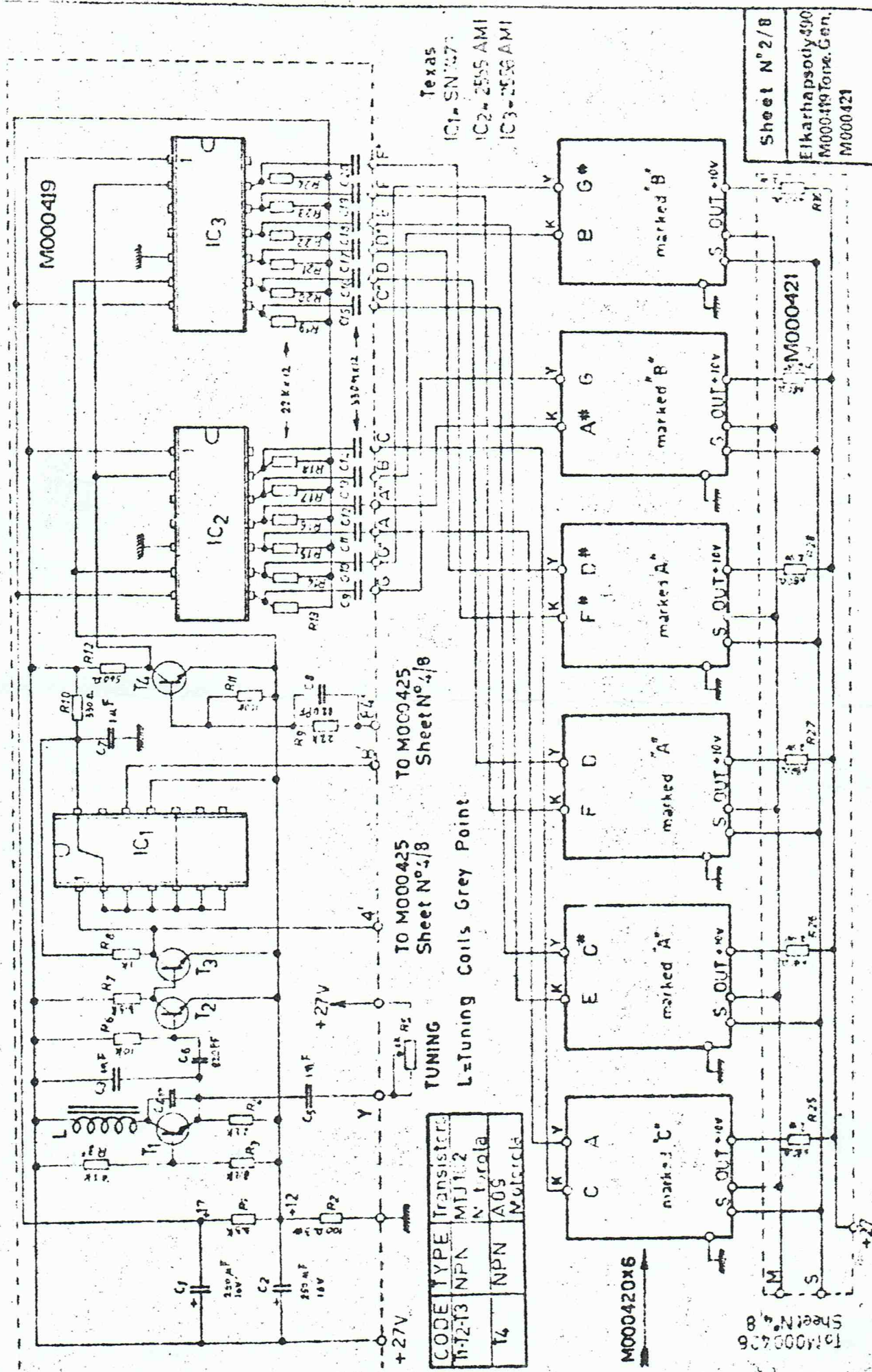
schematic diagrams

---



490

Sheet N° 1/8	
Drawn by	Checked by
Designed by	
Schematic Diagram for ELKA	
Elkarhapsody 490	
Date 16-7-74	



Texas  
 IC1 - SN 127  
 IC2 - 2555 AMI  
 IC3 - 2556 AMI

Sheet N° 2/B  
 Elkarhapsody 490  
 M000419 Torne. Gen.  
 M000421

TO M000425 Sheet N° 4/8  
 TO M000425 Sheet N° 4/8

TUNING  
 L = Tuning Coils Grey Point

CODE	TYPE	Transistor
T1-T3	NPN	MTJ12
T4	NPN	N. Toyota A05 Motorola

M000420x6

TO M000426 Sheet N° 4/8

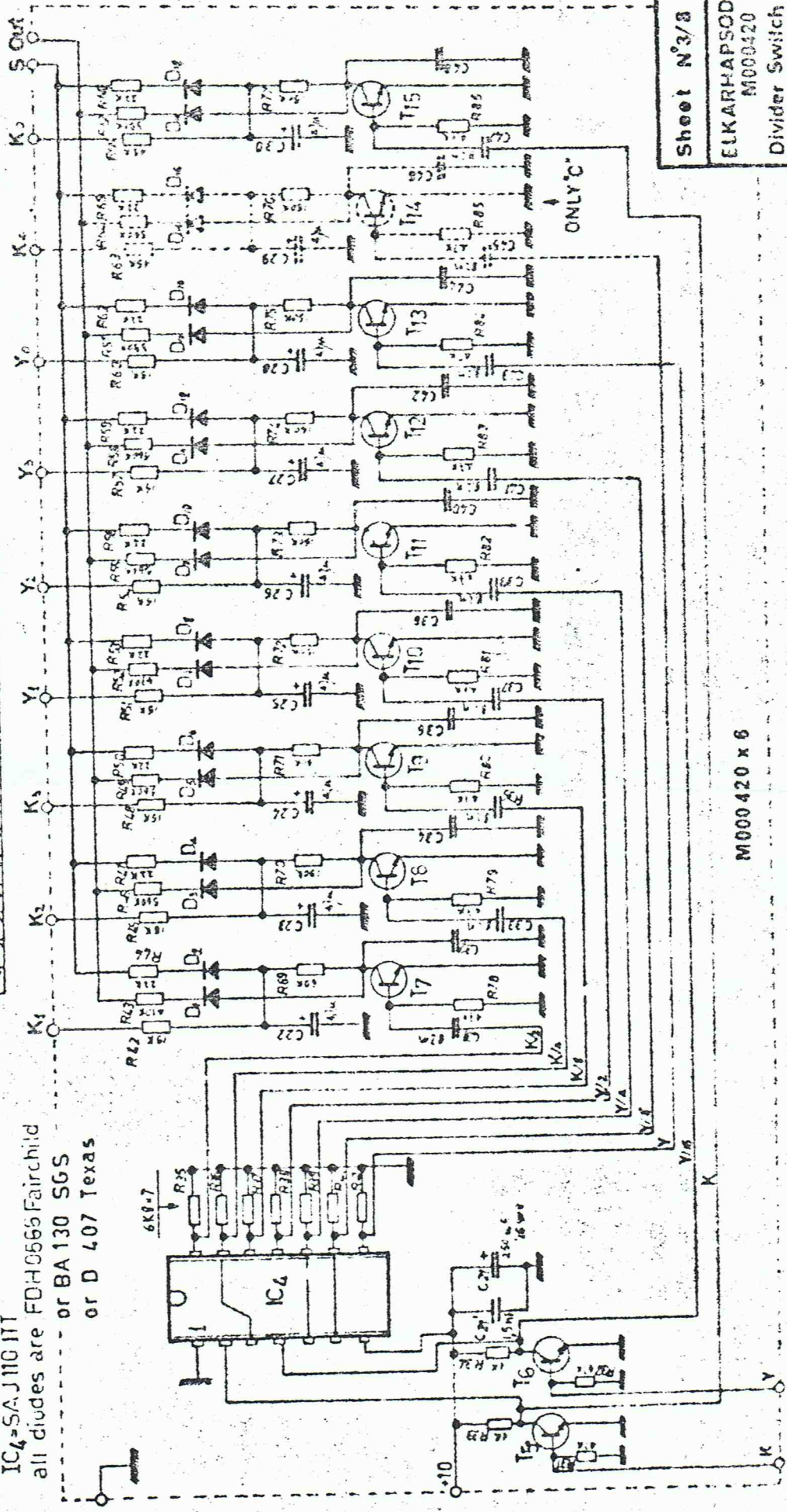
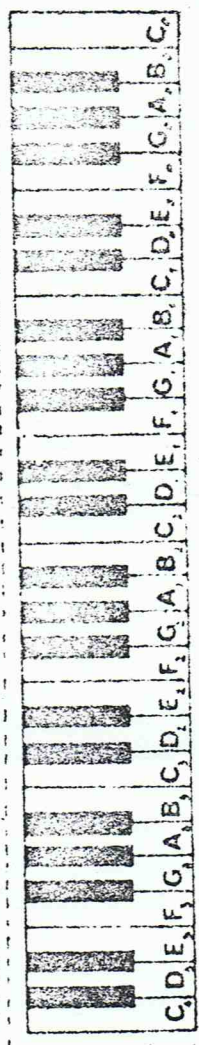
M000424

	C46	C47	C40	C30	C36	C34	C37	C20	C44
A	33	18	32	33	25	168	33	33	
B	91	12	56	22	10	147	82	97	
C	33	21	12	56	92	10	47	92	97

C (nF)

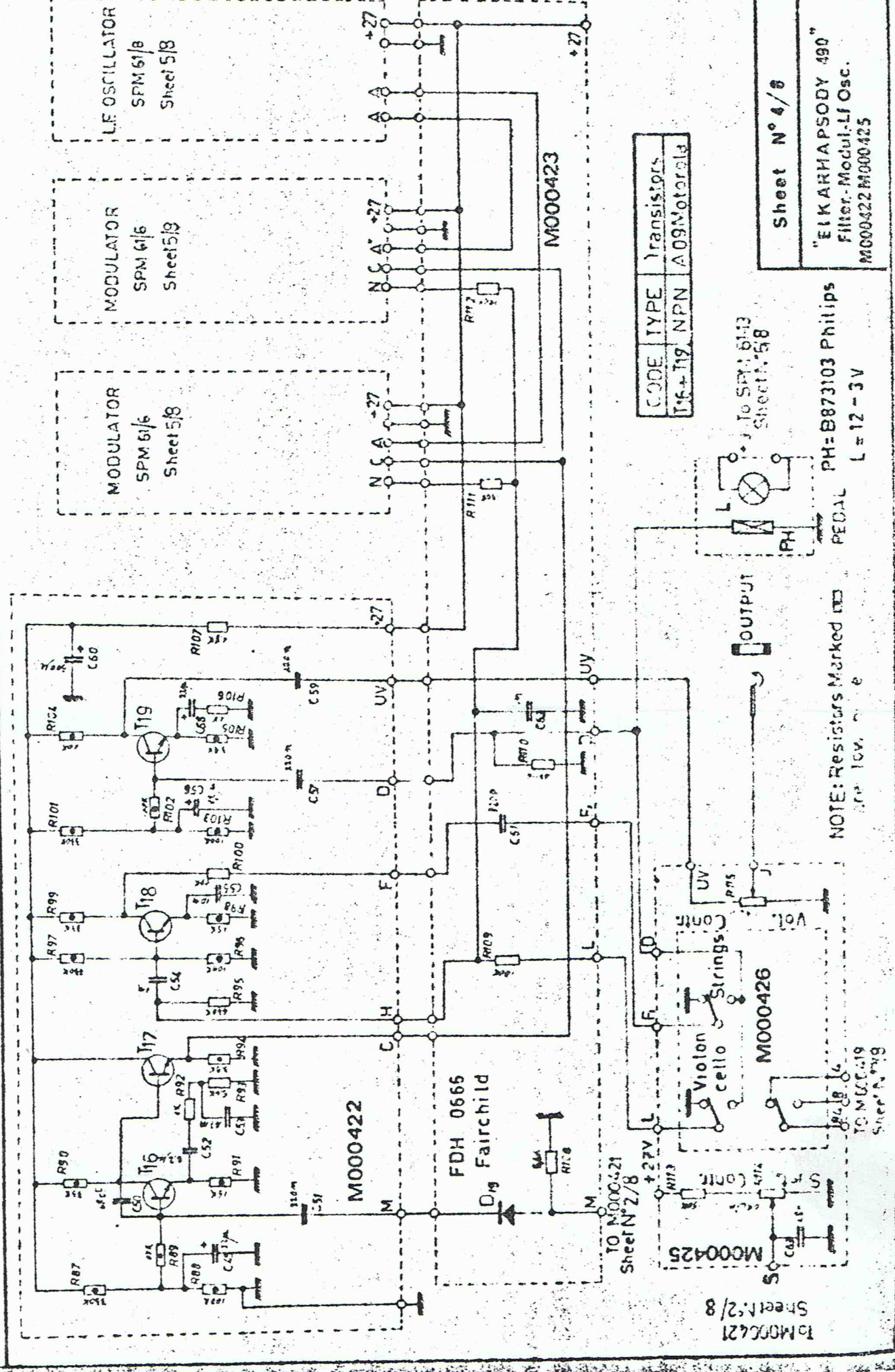
IC<sub>4</sub> = SAJ110 III  
 all diodes are FOH0565 Fairchild  
 or BA 130 SGS  
 or D 407 Texas

Code: YBeltman 01  
 \$1.6 NPN F33505  
 Fairchild



Sheet N°3/3  
 ELKARHAPSODY490  
 M000420  
 Divider Switch

M000420 x 6



CODE	TYPE	Transistors
T16 + T19	NPN	A09 Motorola

Sheet N° 4/8  
 "ELKARHAPSODY 490"  
 Filter-Modul-Lf Osc.  
 M000422 M000425

PH=B873103 Philips  
 L=12-3V

NOTE: Resistors Marked 100 are 100V.

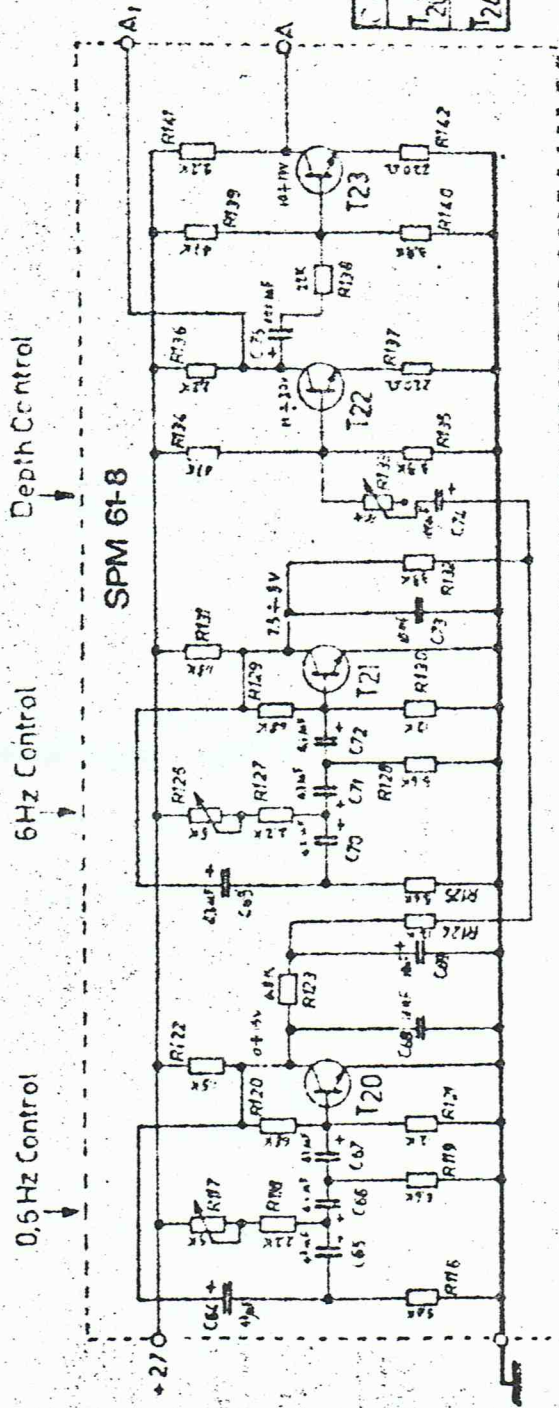
To M000421  
 Sheet N° 2/8

M000425

M000426

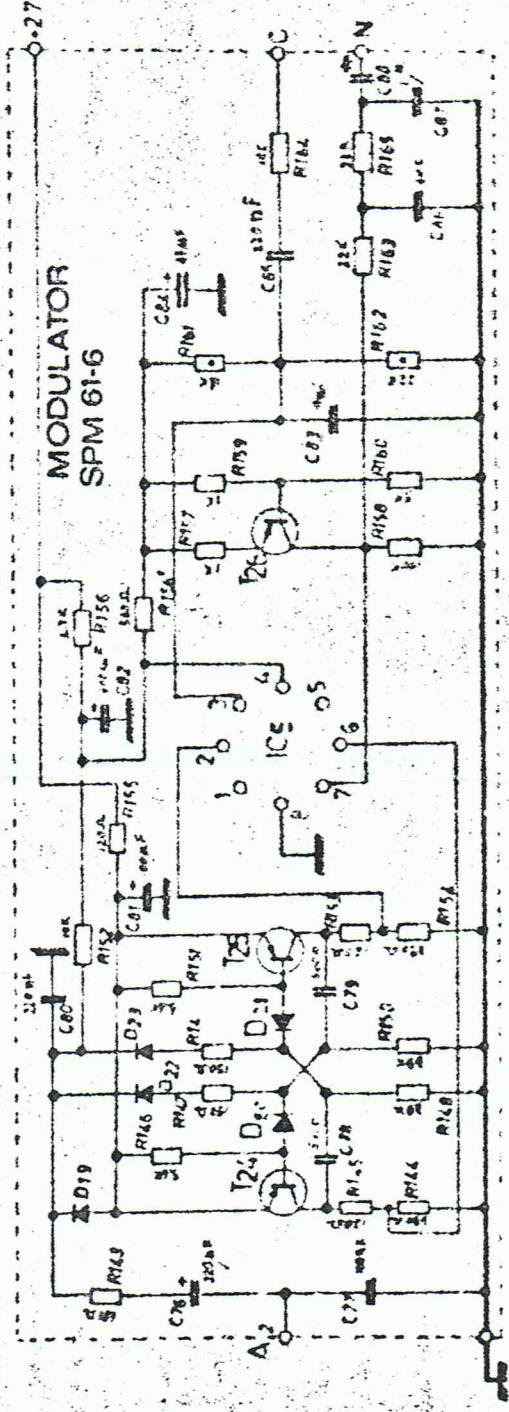
To M000421  
 Sheet N° 2/8

To M000419  
 Sheet N° 19/19



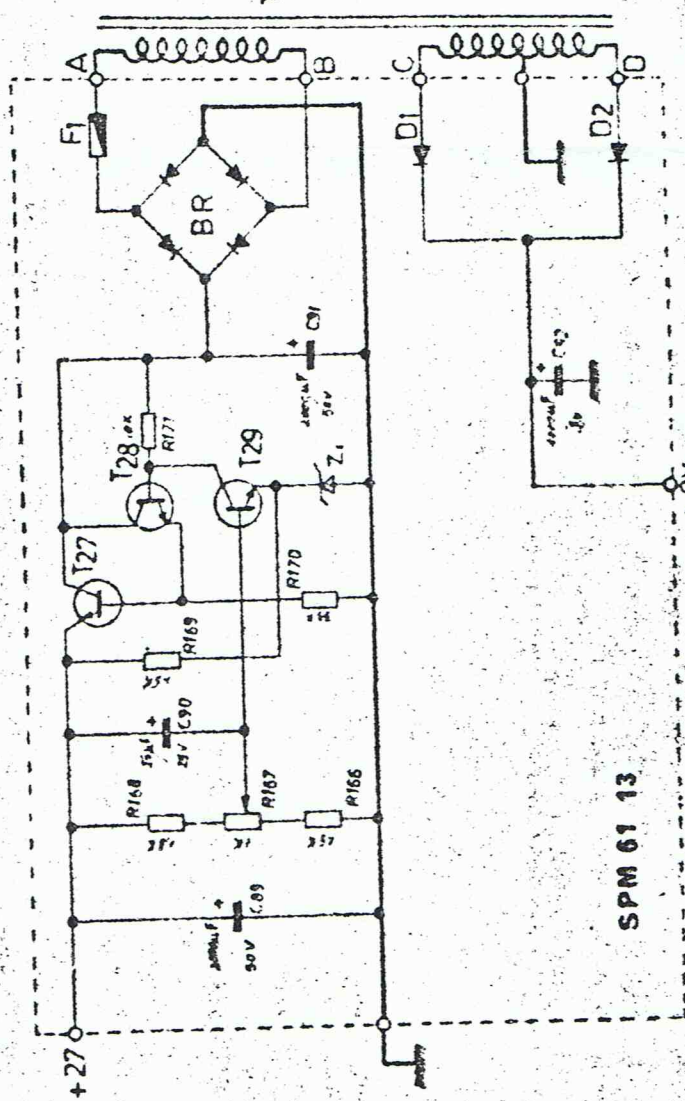
Code	Type	Transistors
T20, T23	NPN	A09 Motorola
T22, T27	NPN	BC154 Fairchild

IC5=IC A 550 ITT



NOTE: Resistor marked  $\square$  are low noise

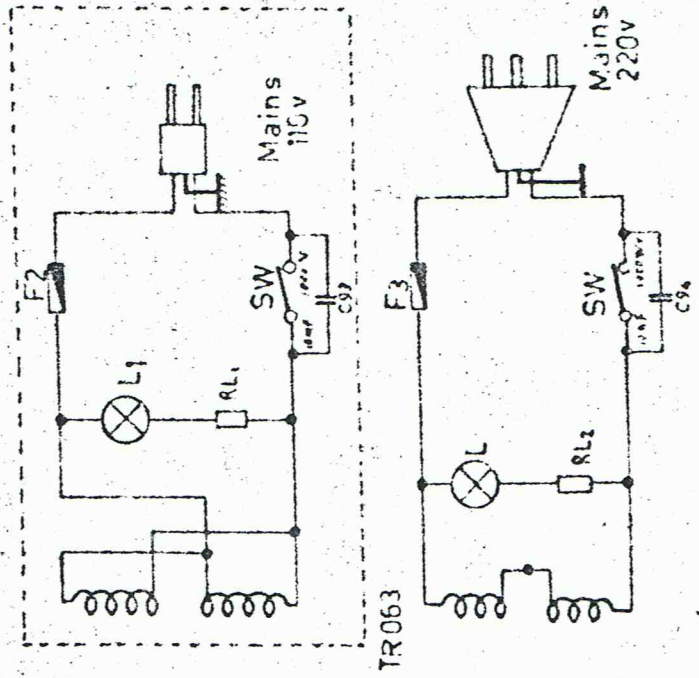
POWER SUPPLY



SPM 01 13

To Lamp of  
Swell Pedal  
Sheet N°46

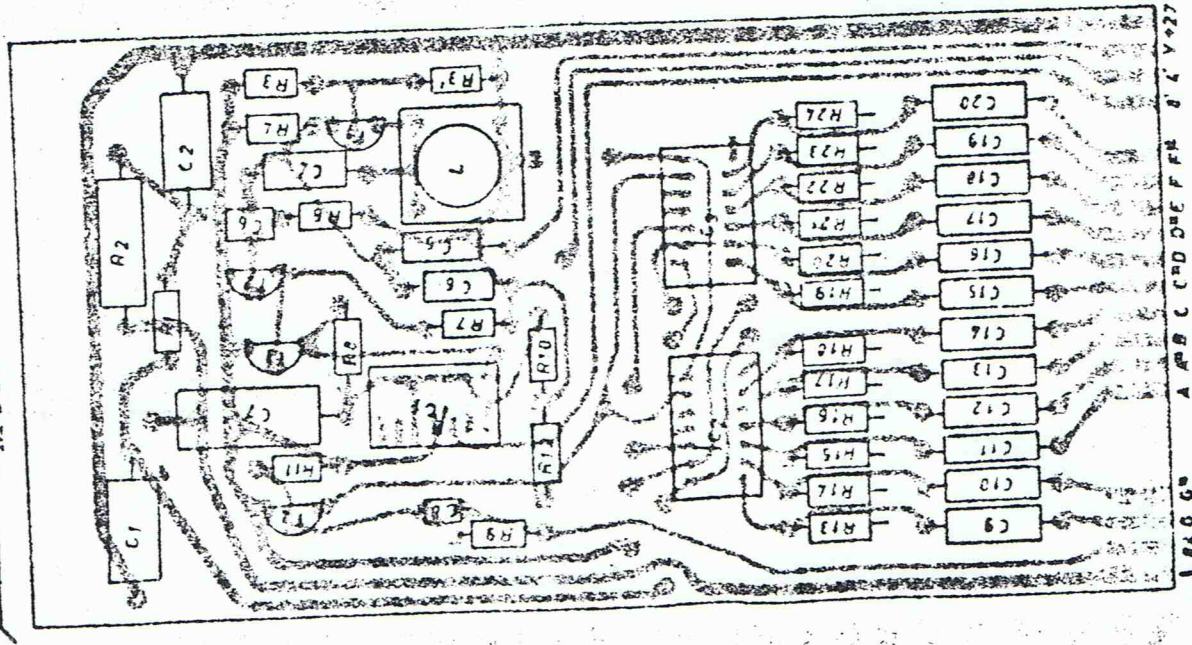
- Z1 = TZ11-FL117-1N4153 B
- BR = W 02
- D1-D2 = 1002 1N4003
- F1 = 1.25A
- F2 = 500mA
- F3 = 315 mA
- TR = Transformer 063 ELKA (Ec/70401)
- SW+L = Neon 220V/1108R/NB 2



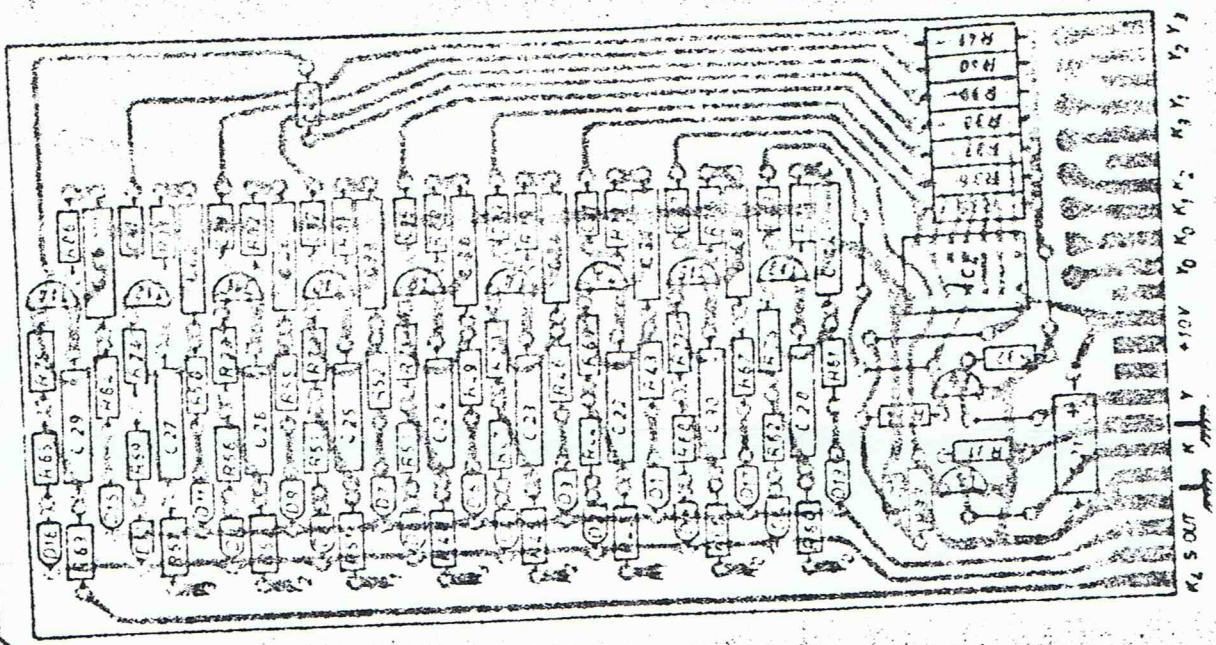
CODE	TYPE	Transistors
T28-T29	NPN	BC285SGS 2N4401-2N5156
T27	NPN	Fairchild 2N3055Mistral Motorola

Sheet N° 6 / 8  
ELKARHAPSODY 490  
POWER SUPPLY  
SPM 61/13

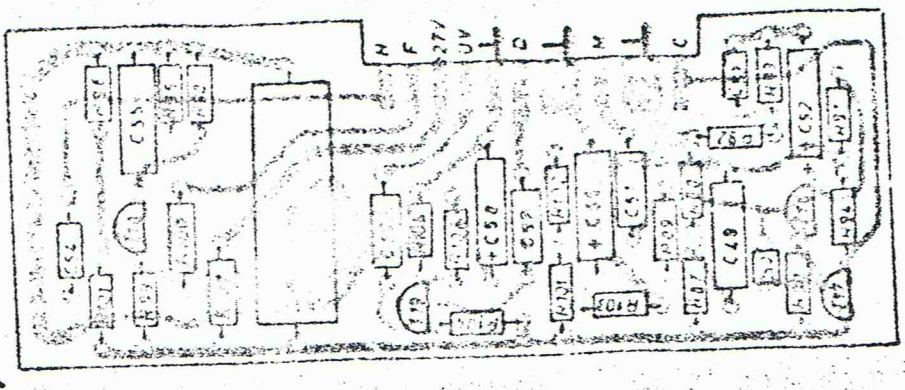
M000419



M000420

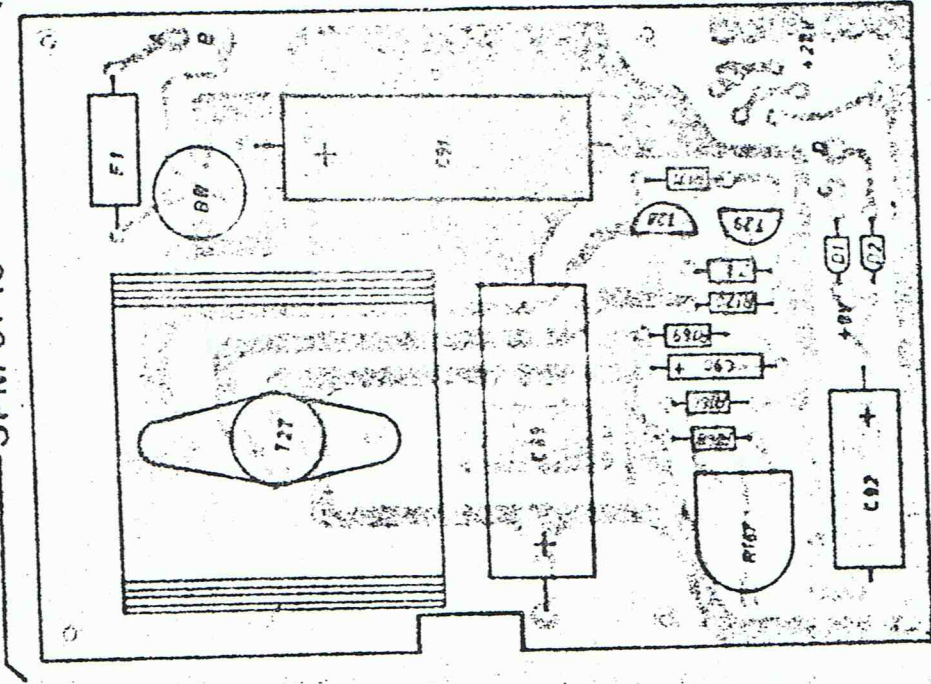


M000422

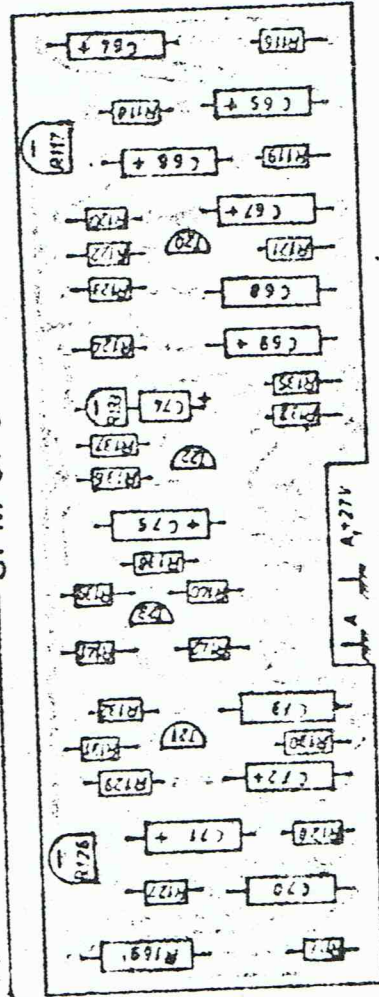




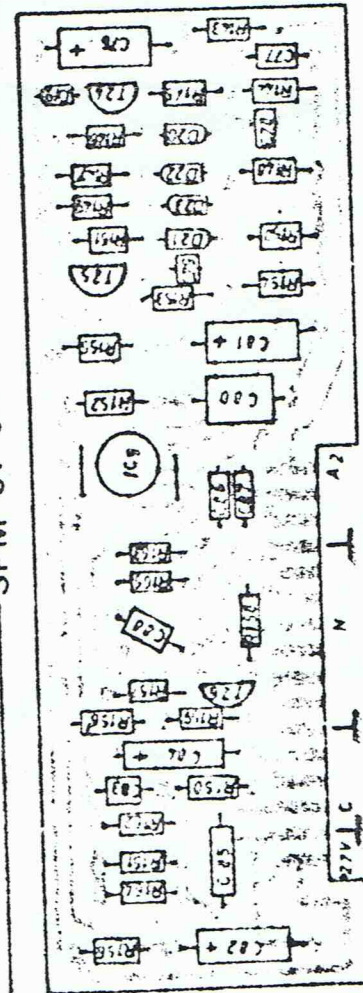
SPM 61-13



SPM 61-8



SPM 61-6



Model ELWA  
 4N4P50.7  
 490

Object: Assembly of Printed Circuit SPM 61-6  
 SPM 61-4 SPM 61-13

Sheet N 8-8  
 Date 3-9-74