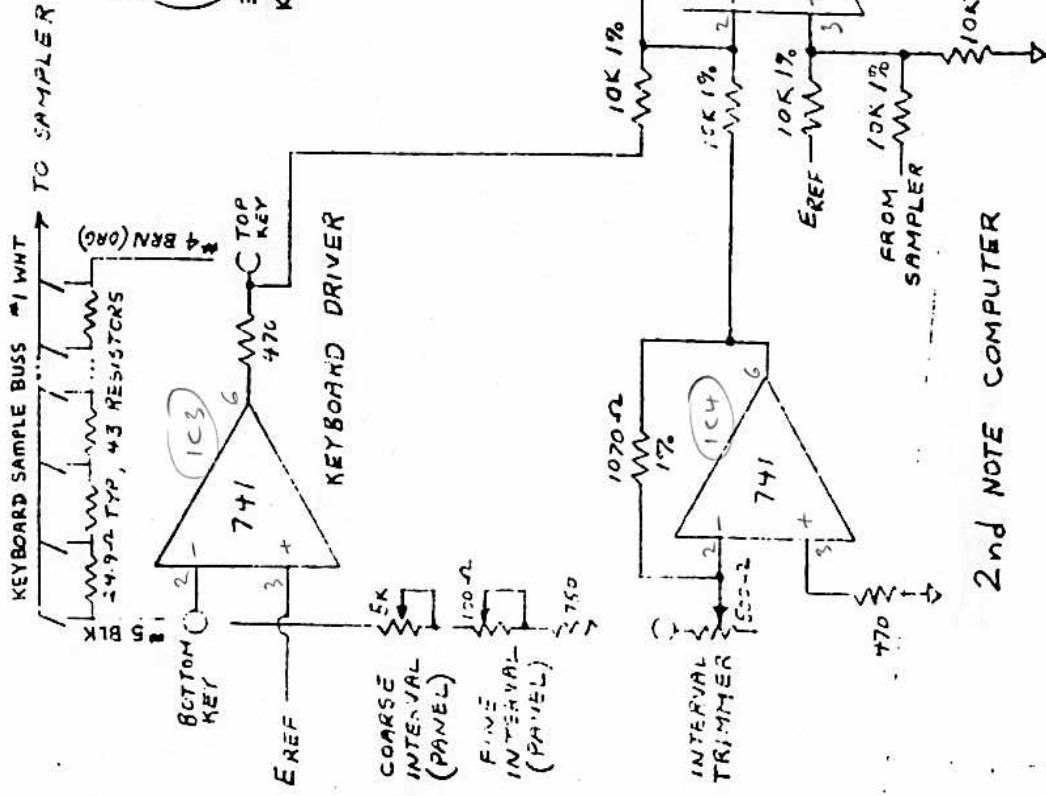
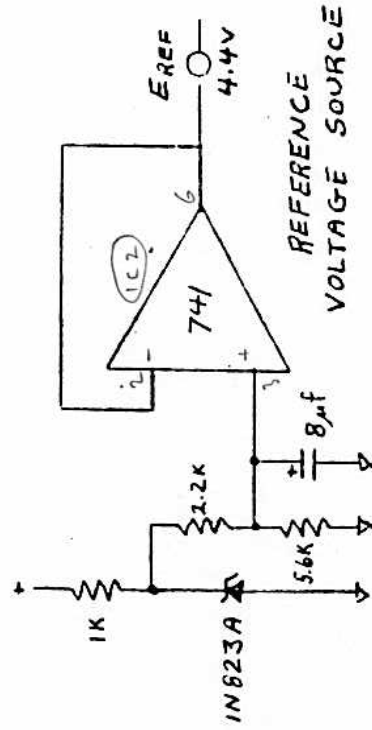
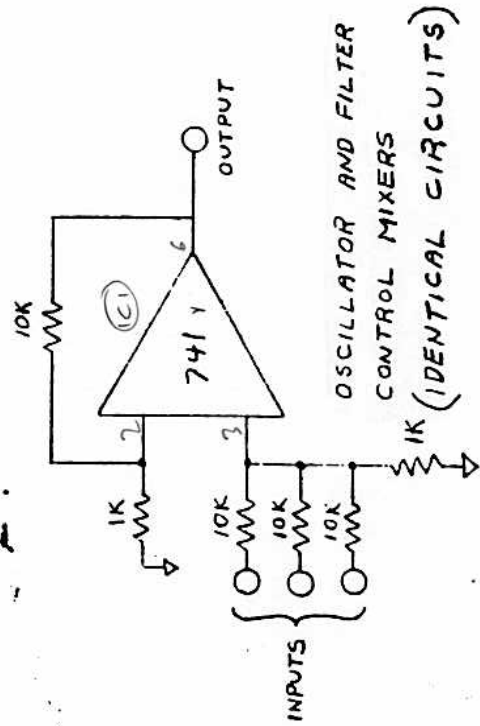


ELECTRONIC MUSIC LABS., INC.  
 EML 101  
 JJM 11-21-74

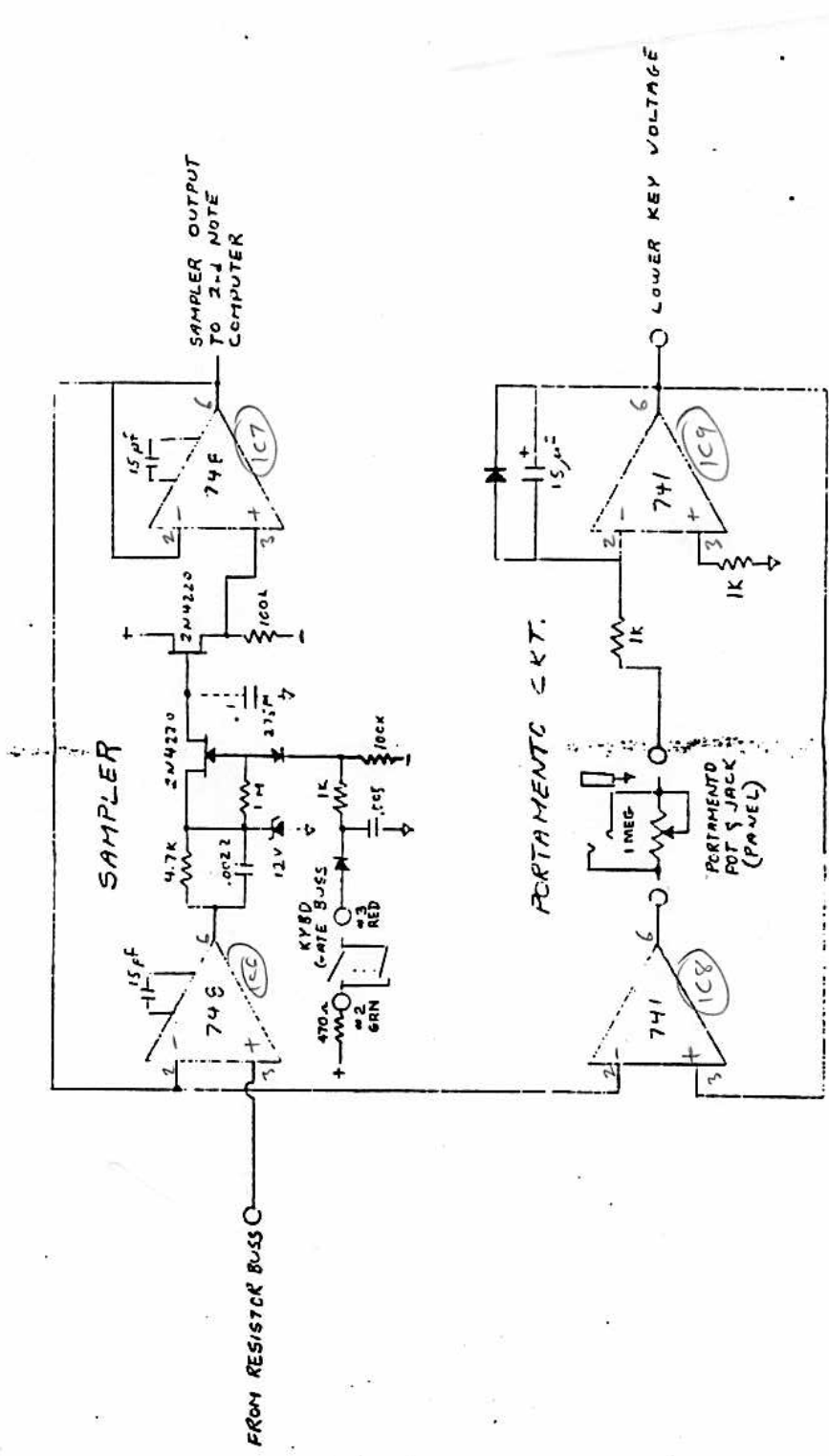
POWER SUPPLY

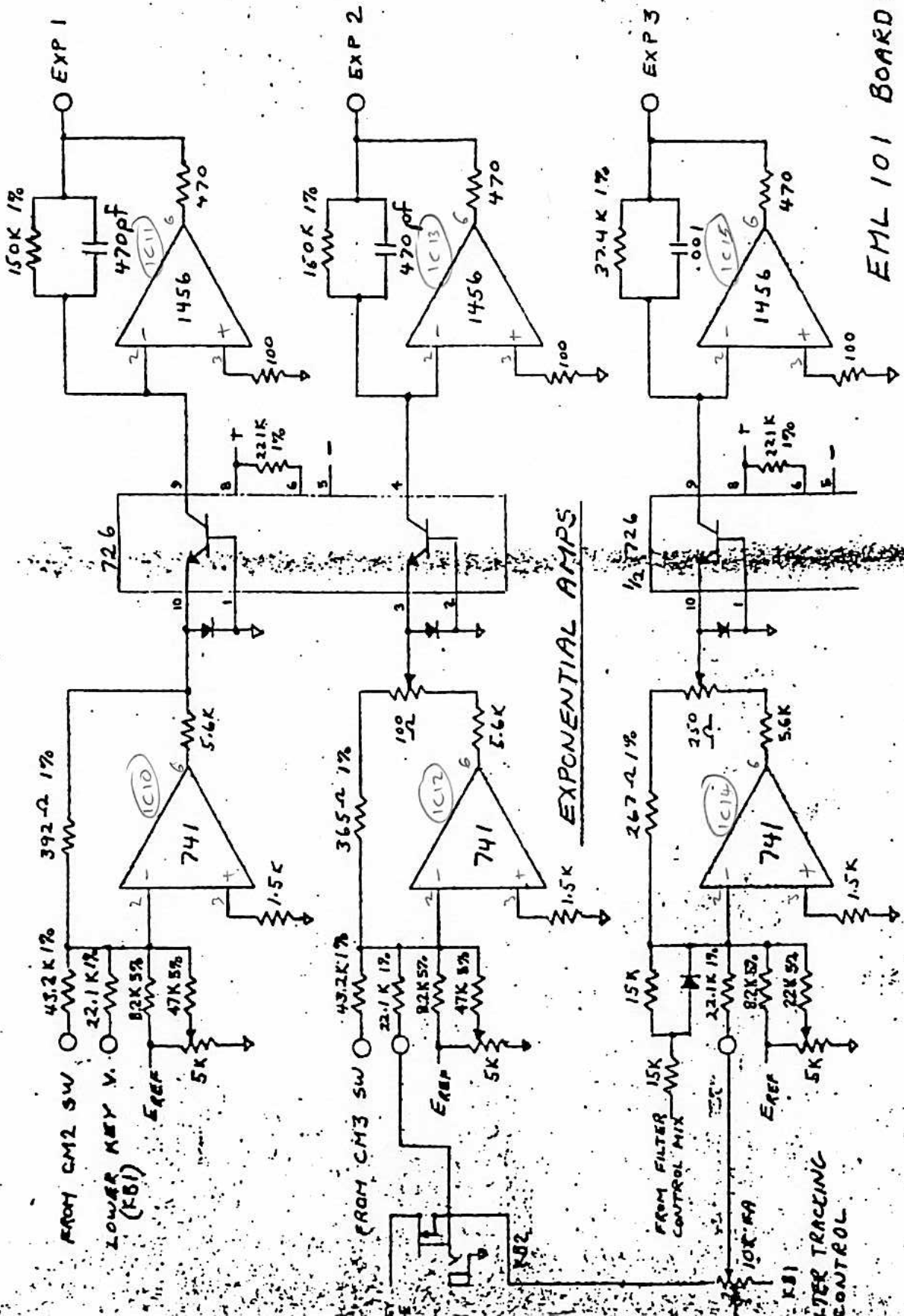
GREEN



EMIL 101 BOARD #1 SHEET 1 OF 4

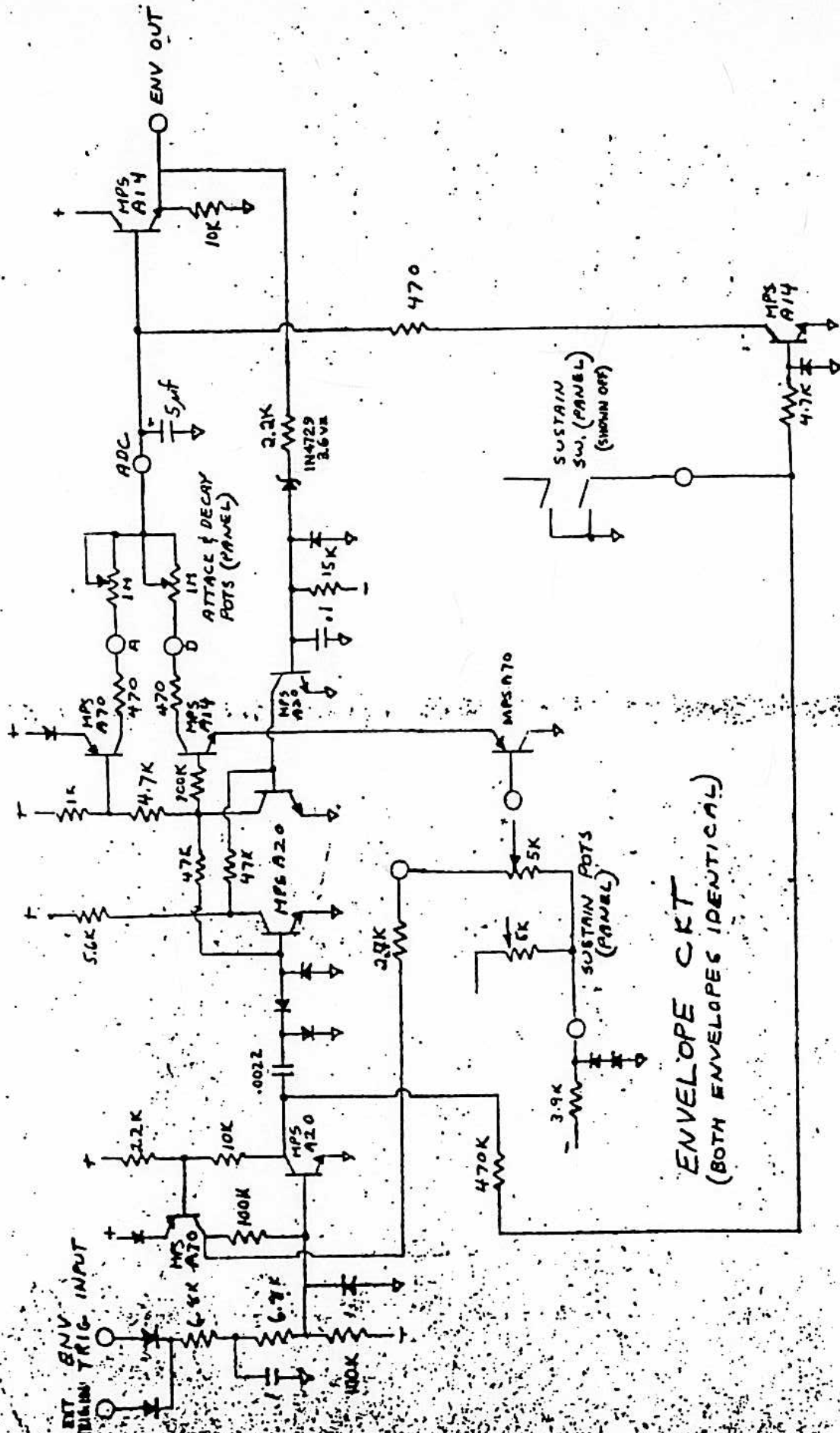
*White* ②





EXPONENTIAL AMPS

*mm*



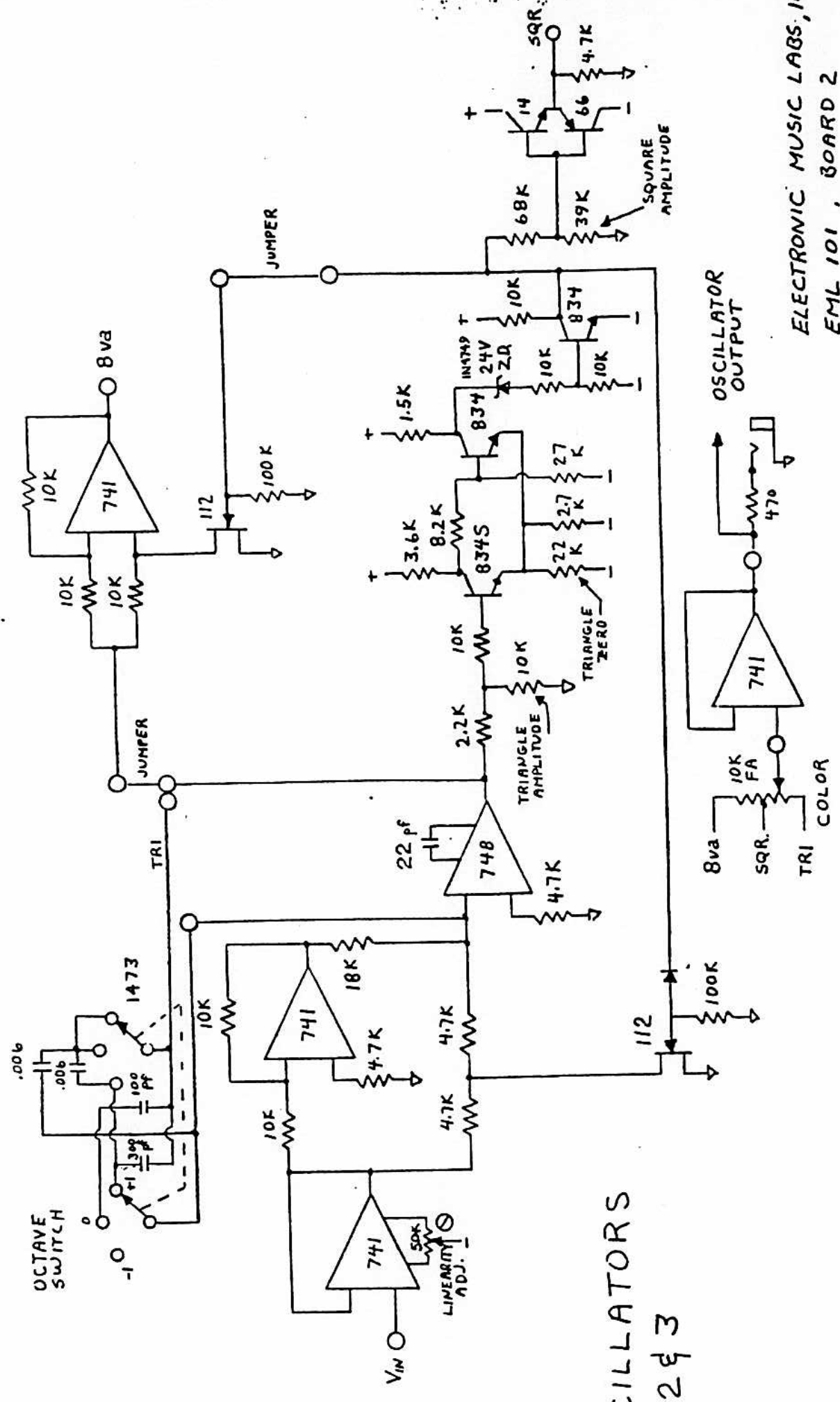
EML 101 BOARD #1

SHEET 4 of 4

All diodes IN7064 unless marked otherwise

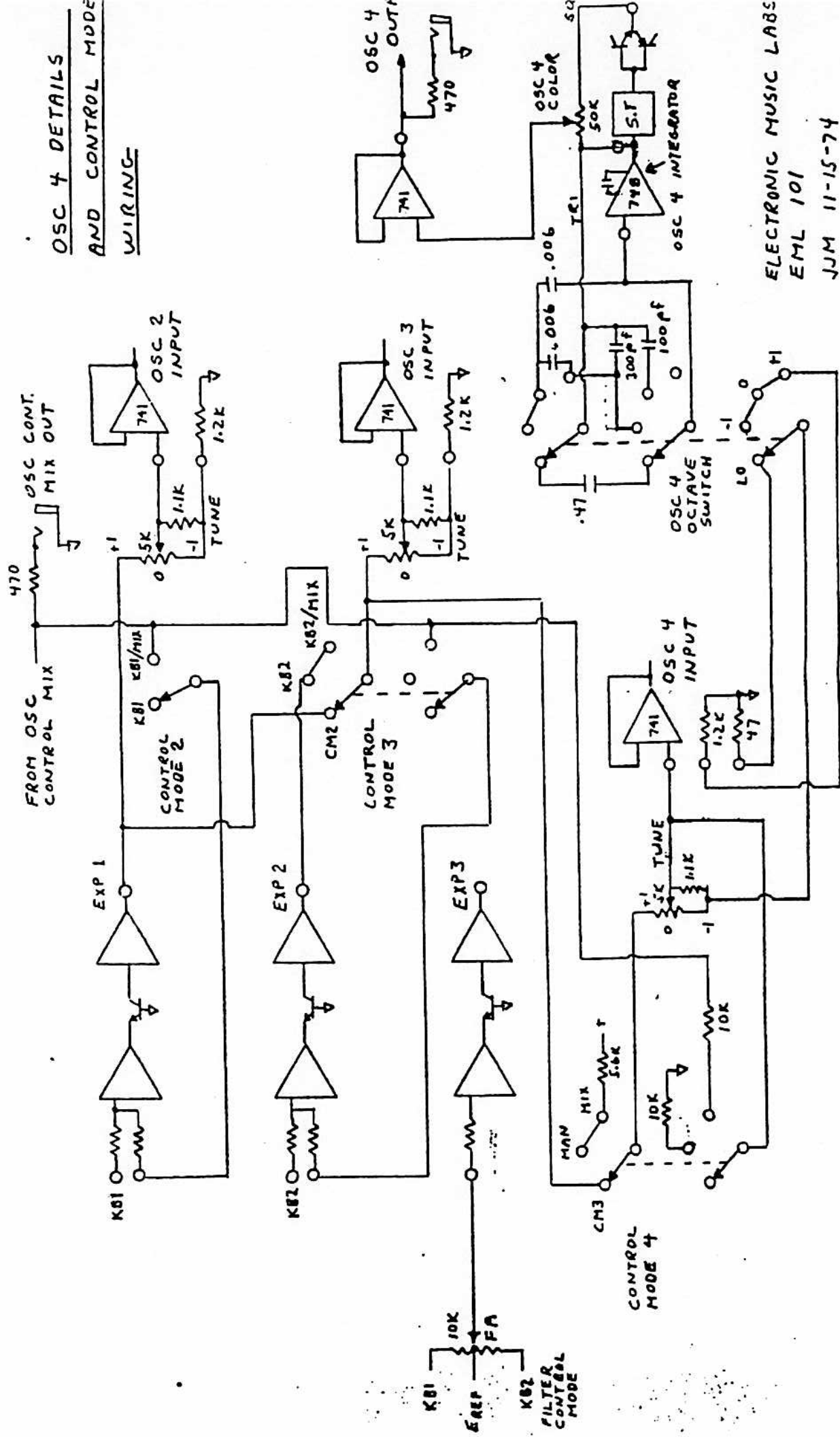
ENVELOPE CRT  
(BOTH ENVELOPES IDENTICAL)





# OSCILLATORS 2 & 3

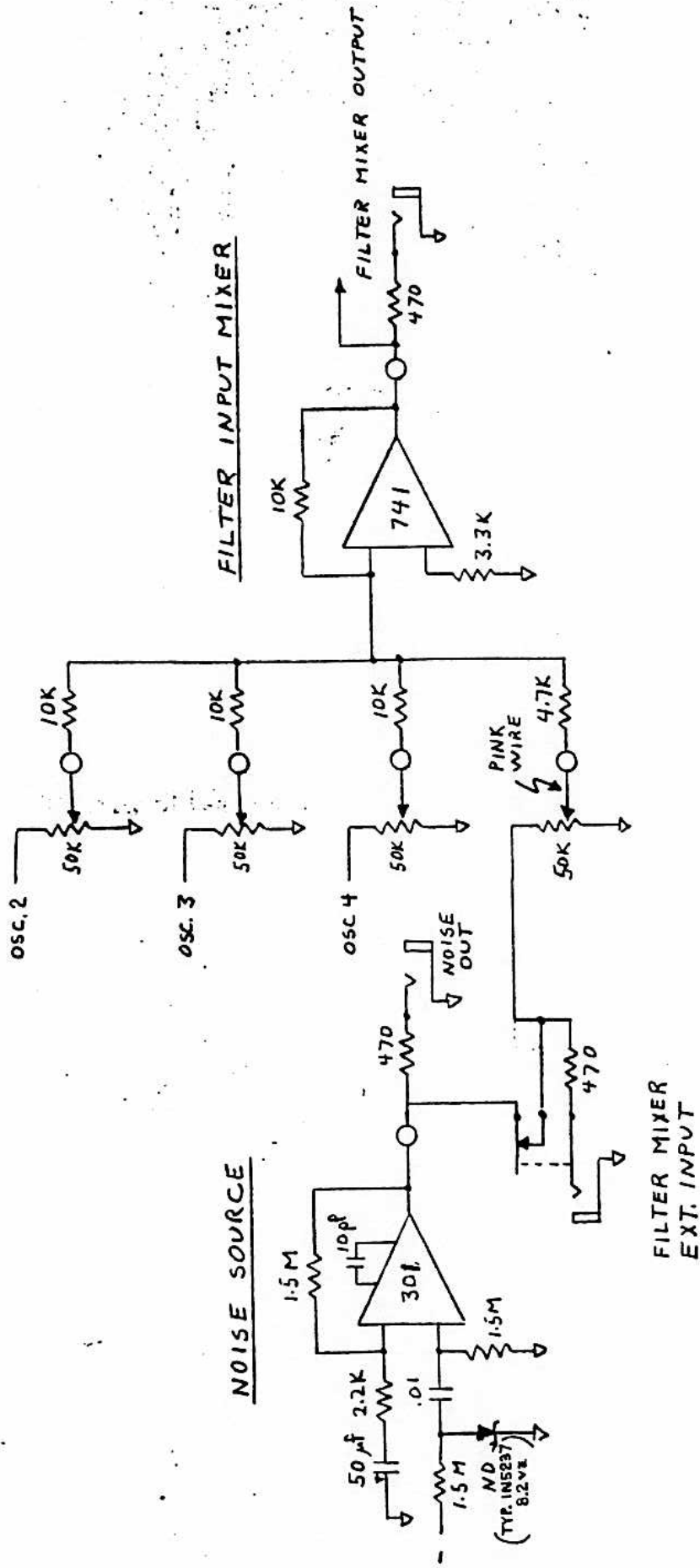
OSC 4 DETAILS  
AND CONTROL MODE  
WIRING



ELECTRONIC MUSIC LABS  
EML 101  
JUN 11-15-74

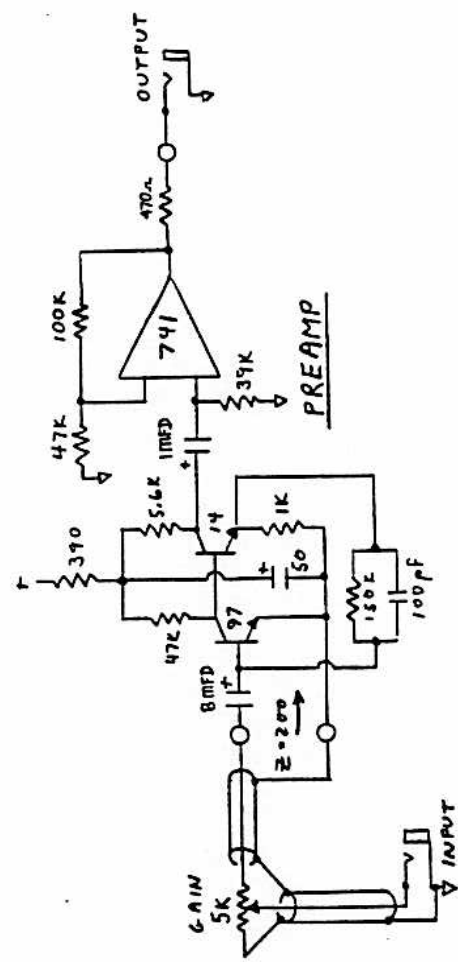
3054



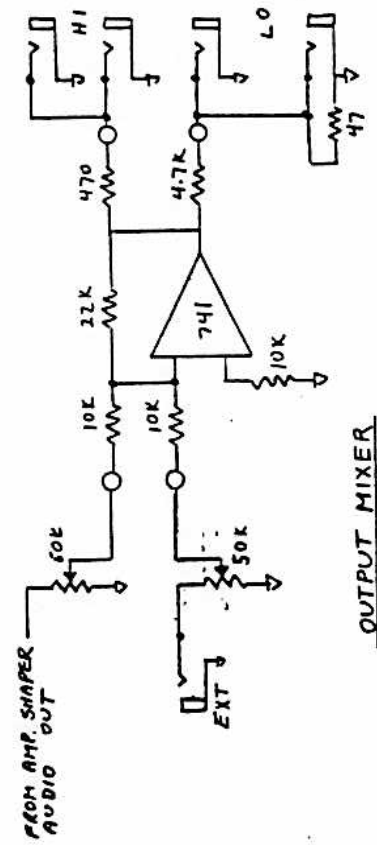


ELECTRONIC MUSIC LABS., INC.  
 EML 101, BOARD 2  
 SHEET 4 OF 4  
 11-7-74 JJM

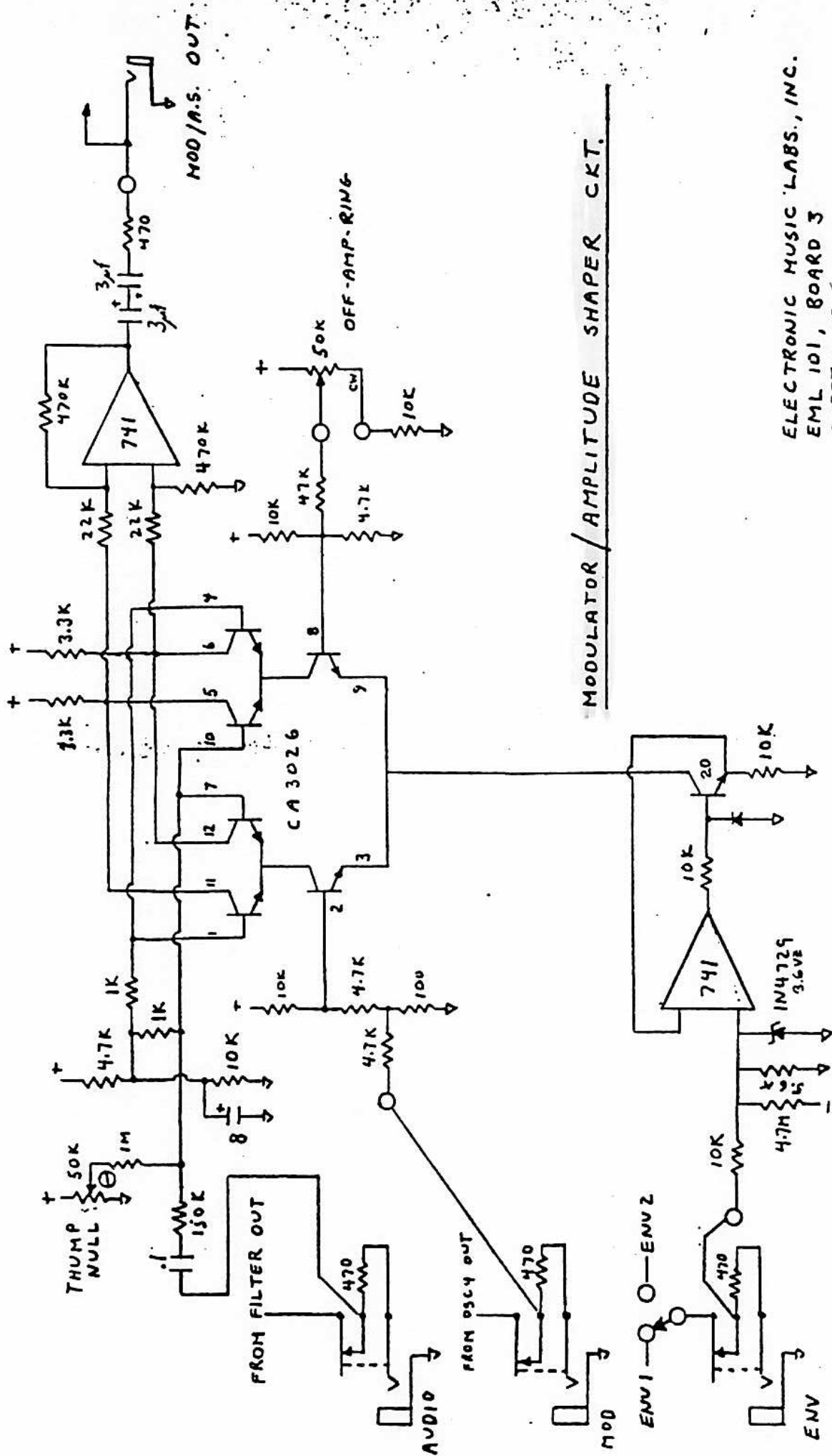
ELECTRONIC MUSIC LABS, INC  
EML 101, BOARD 3  
SHEET 1 OF 5  
J.M. 11-21-74



PREAMP

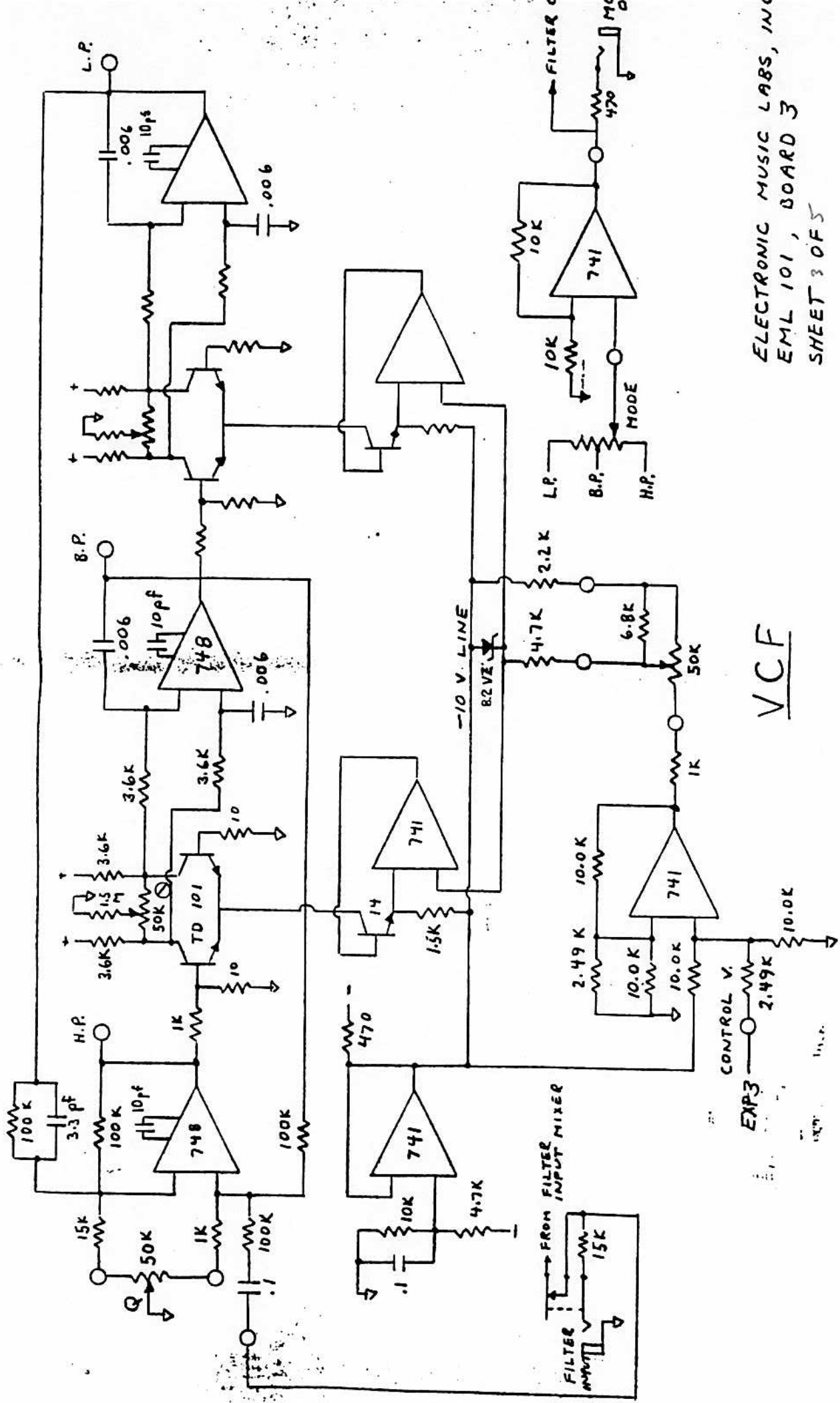


OUTPUT MIXER



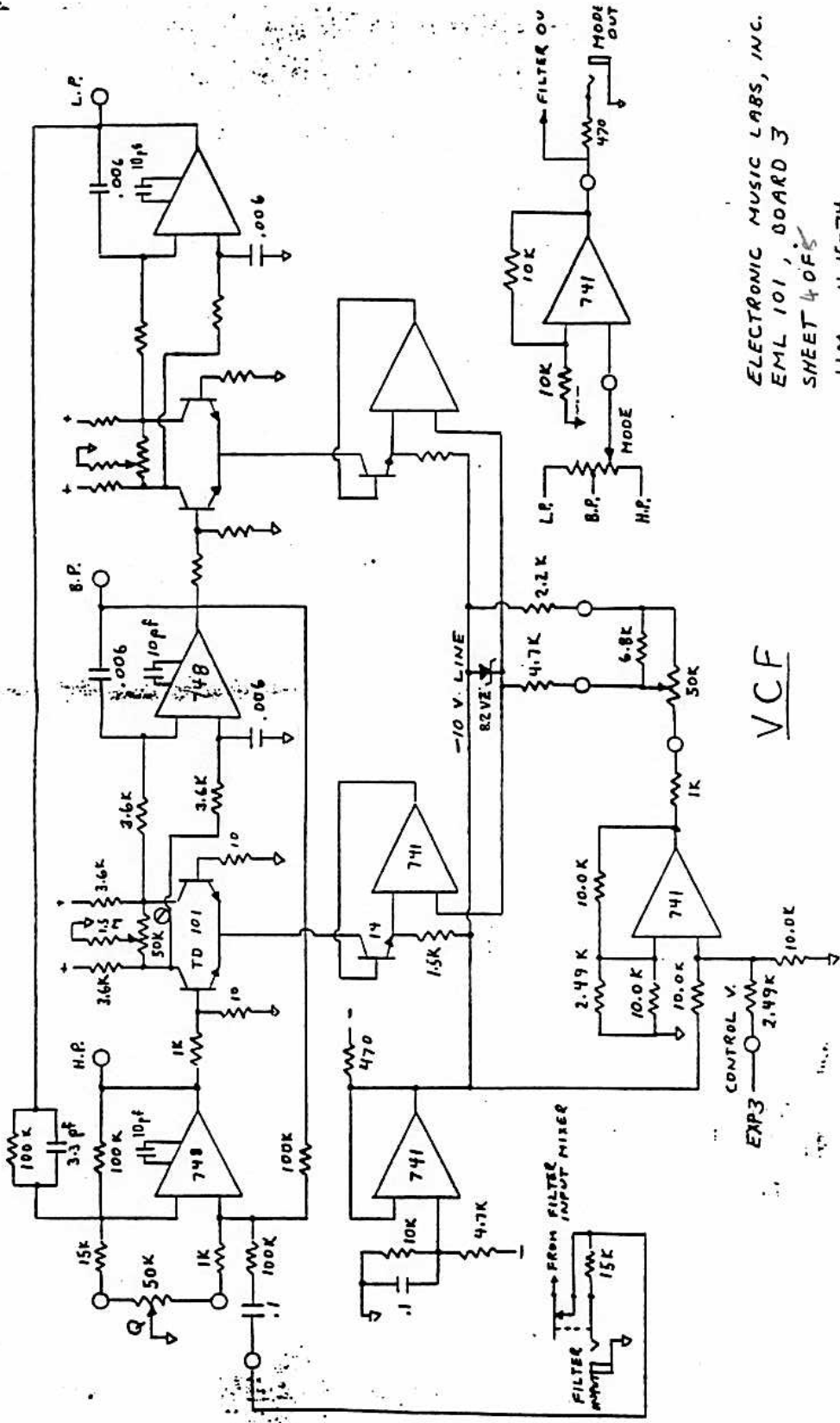
MODULATOR / AMPLITUDE SHAPER CKT.

ELECTRONIC MUSIC LABS., INC.  
 EML 101, BOARD 3  
 SHEET 2 OF 5  
 JJM 11-20-74



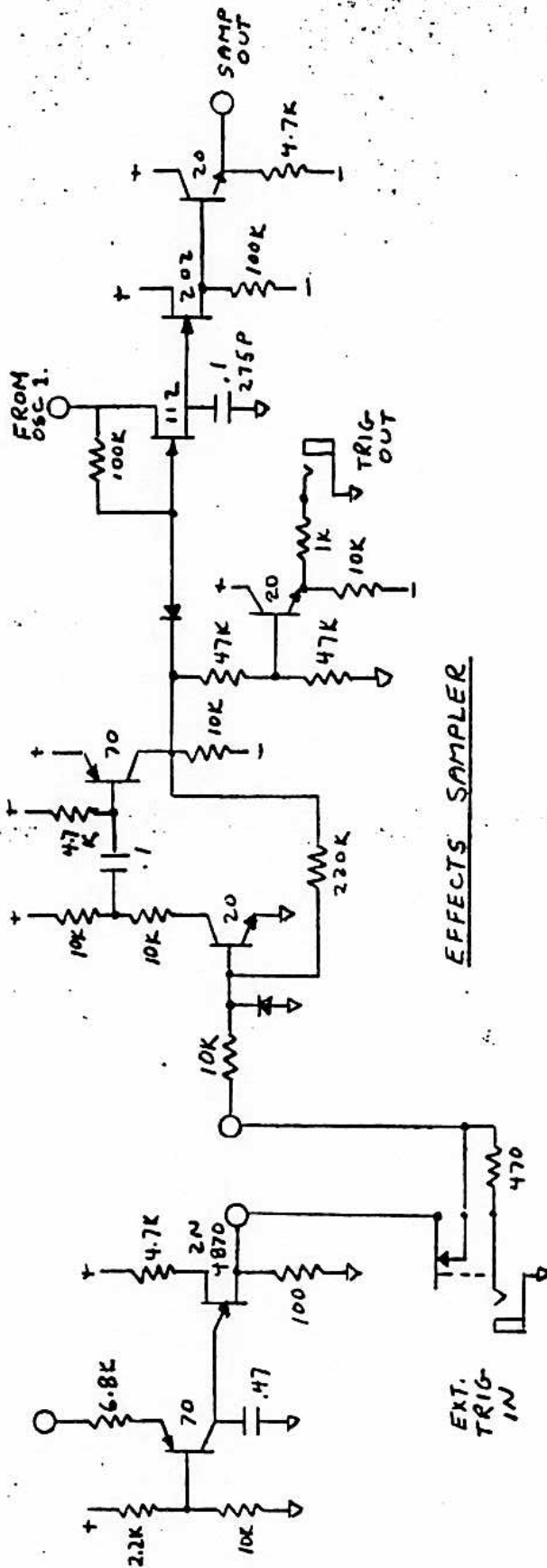
VCF

ELECTRONIC MUSIC LABS, INC.  
 EML 101, BOARD 3  
 SHEET 3 OF 5  
 JJM 11-15-74



ELECTRONIC MUSIC LABS, INC.  
 EML 101, BOARD 3  
 SHEET 4 OF 5  
 JJM 11-15-74

VCF



EFFECTS SAMPLER

ELECTRONIC MUSIC LABS., INC.  
EML 101, BOARD 3  
SHEET 6 OF 8

JUN 11-21-74