



# **INFORMAZIONI TECNICHE**

**Organo Elettronico  
Mod. VIP 200**



**IMPORTANT :** IN ANY CORRESPONDENCE CONCERNING THIS INSTRUMENT ALWAYS INCLUDE MODEL AND SERIAL NUMBERS!

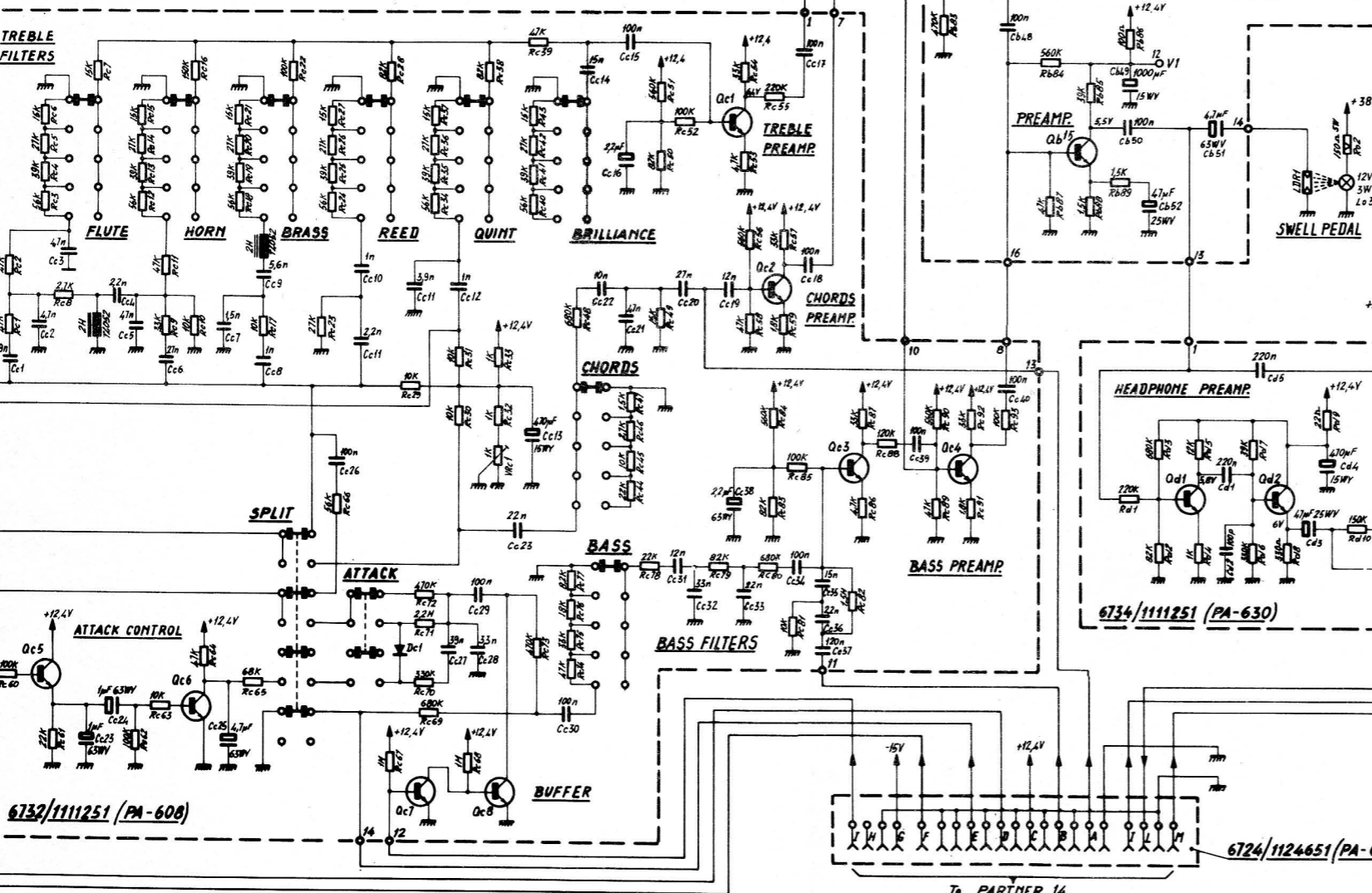
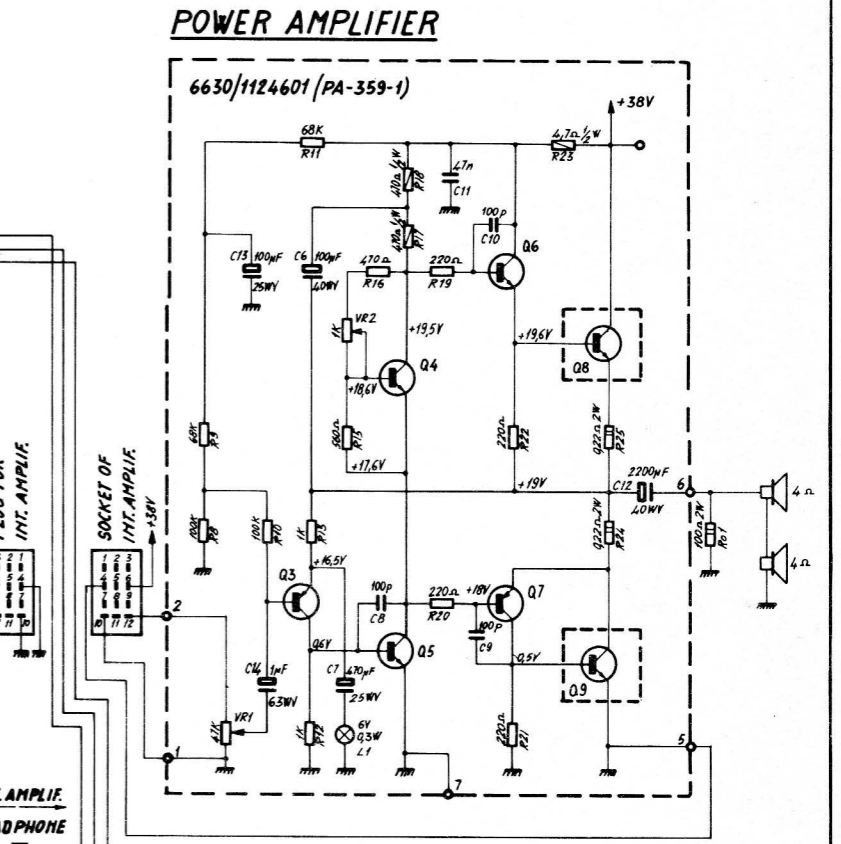
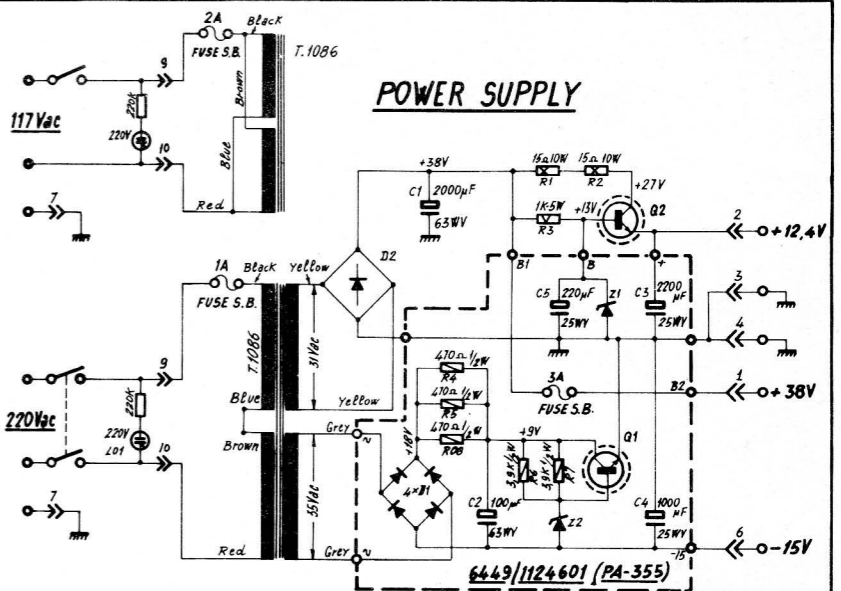
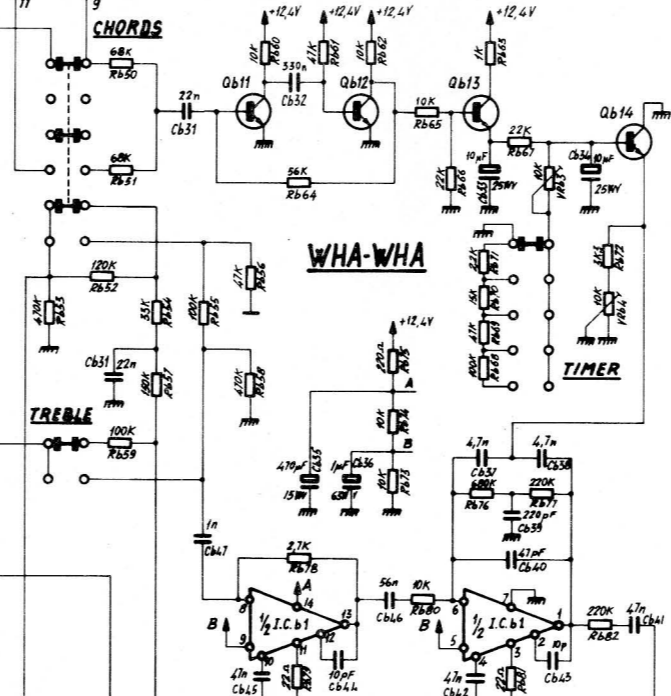
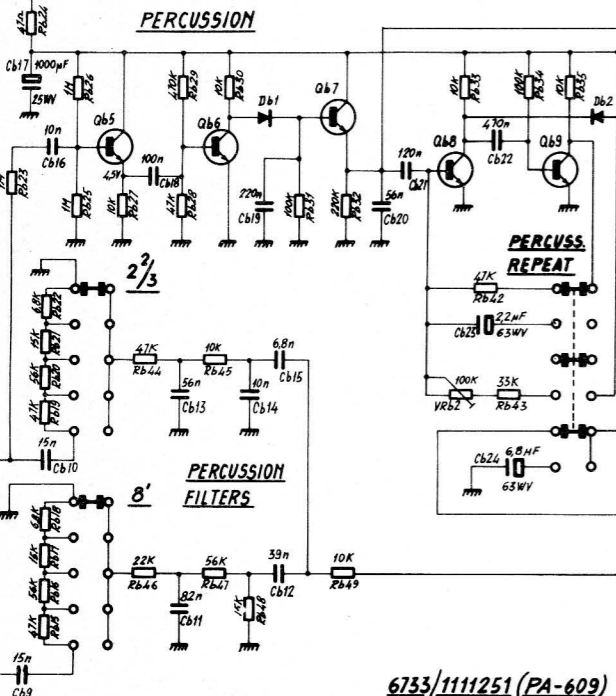
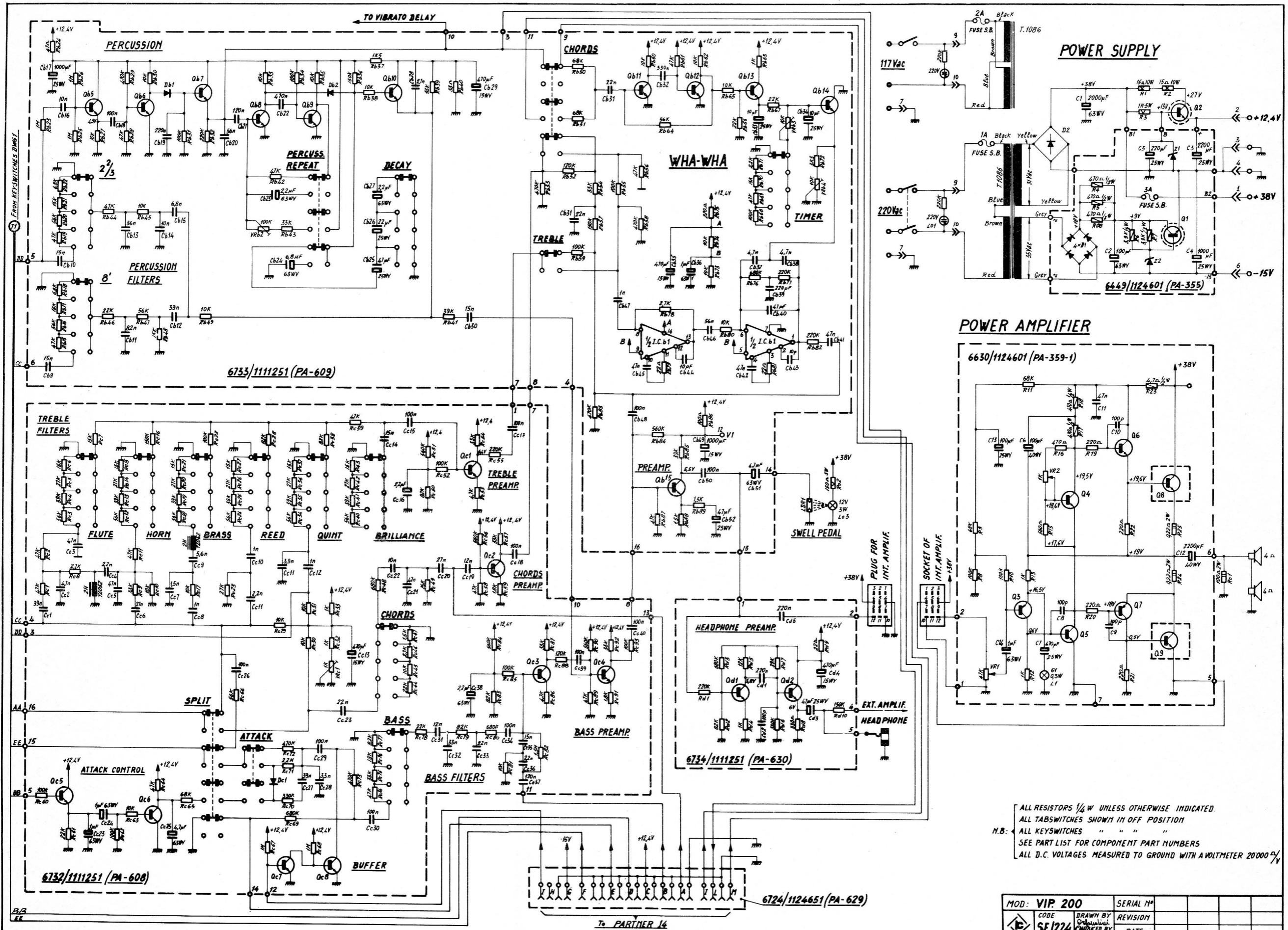
**PARTS ORDERING** – When ordering parts be sure to include the following information:

1. Model and serial Number of instrument.
2. Part Code.
3. A description of the Part.
4. Specify how you want the part shipped.

FARFISA COMPANY - WHOSE POLICY IS CONSTANTLY DIRECTED TO IMPROVEMENTS AND NEW DEVELOPMENTS - RESERVES THE RIGHT TO CHANGE SPECIFICATIONS, DESIGNS, PRICES, MODELS AND TO DISCONTINUE MODELS WITHOUT NOTICE AND LIABILITY.





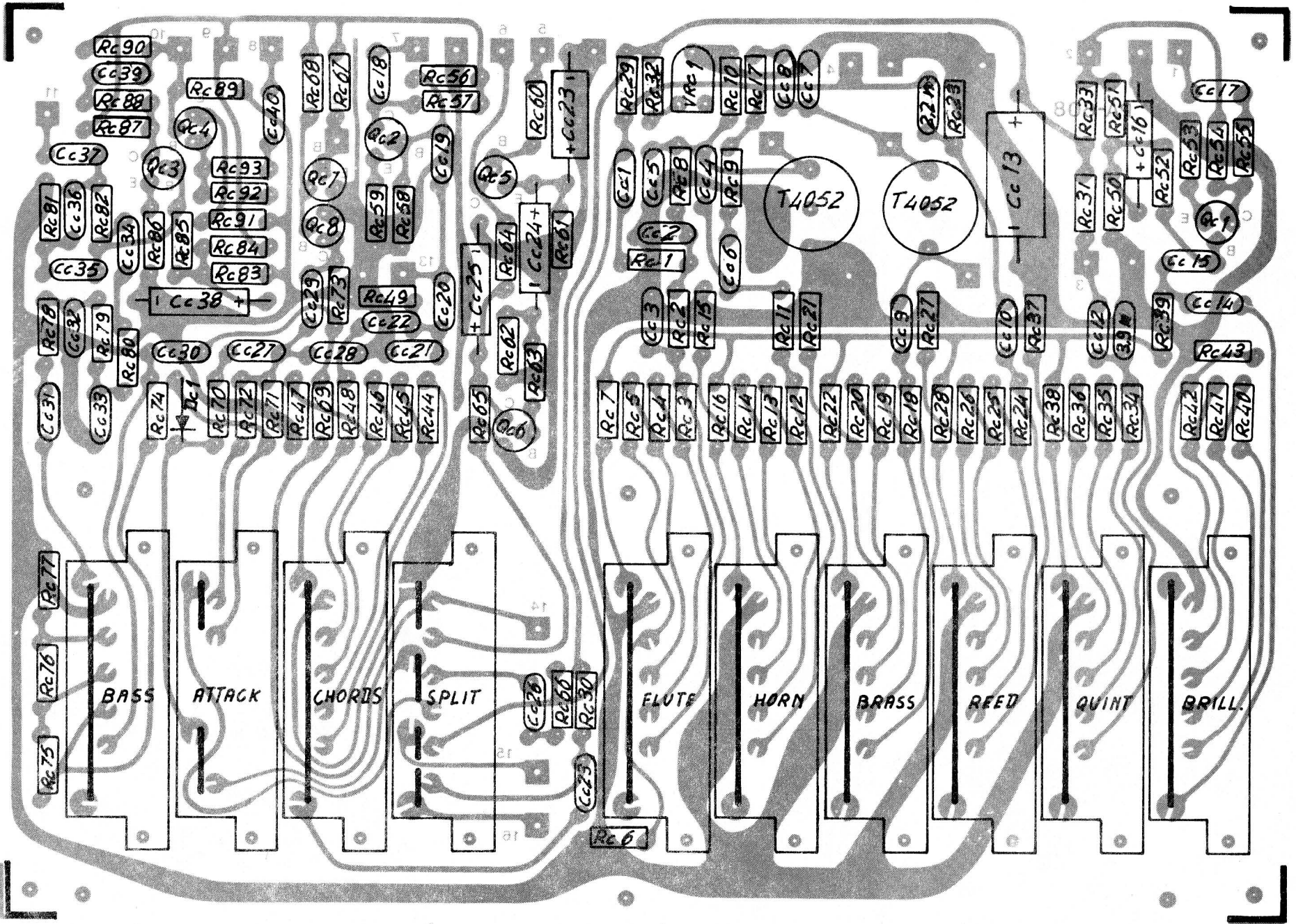


ALL RESISTORS 1/4W UNLESS OTHERWISE INDICATED.  
 ALL TABSWITCHES SHOWN IN OFF POSITION  
 M.B.: ALL KEYSWITCHES " " " "  
 SEE PART LIST FOR COMPONENT PART NUMBERS  
 ALL D.C. VOLTAGES MEASURED TO GROUND WITH A VOLTMETER 20000 $\Omega$

MOD: VIP 200	SERIAL N°
CODE SE/224	REVISION
DRAWN BY	DATE
CHECKED BY	

DWG 2 OF 2

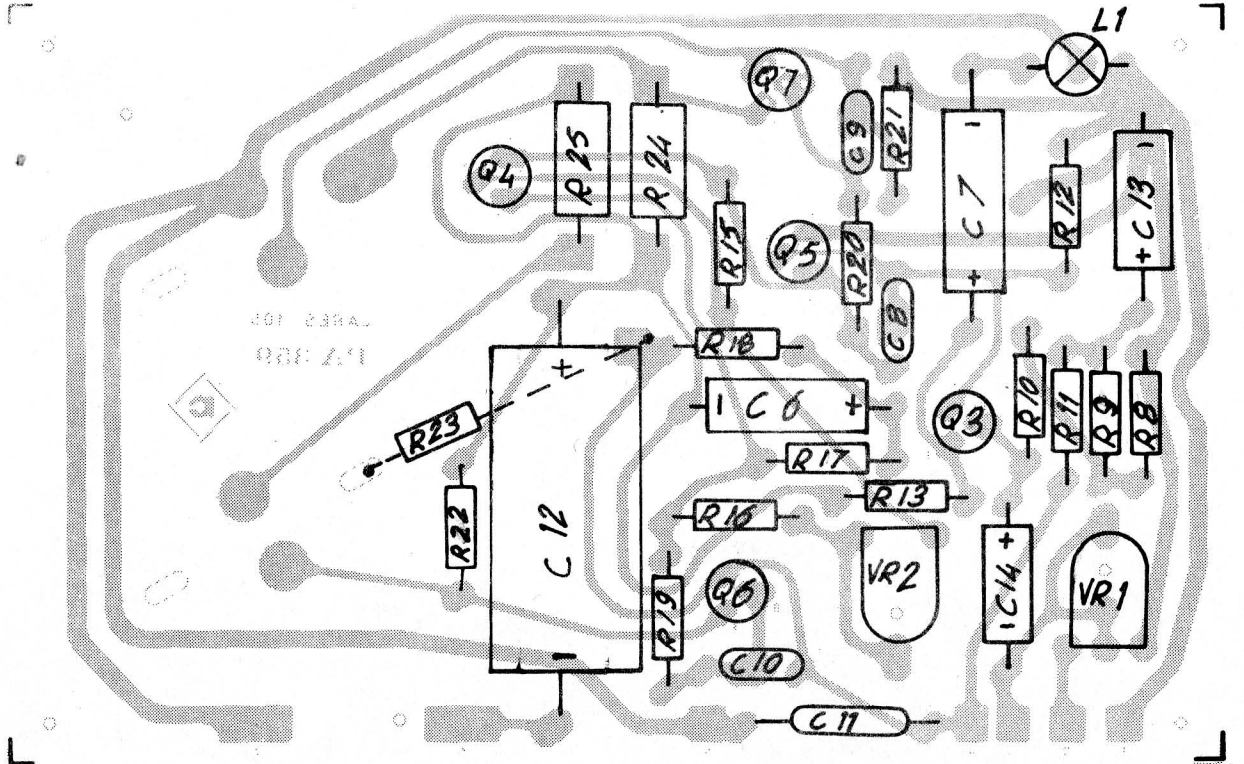
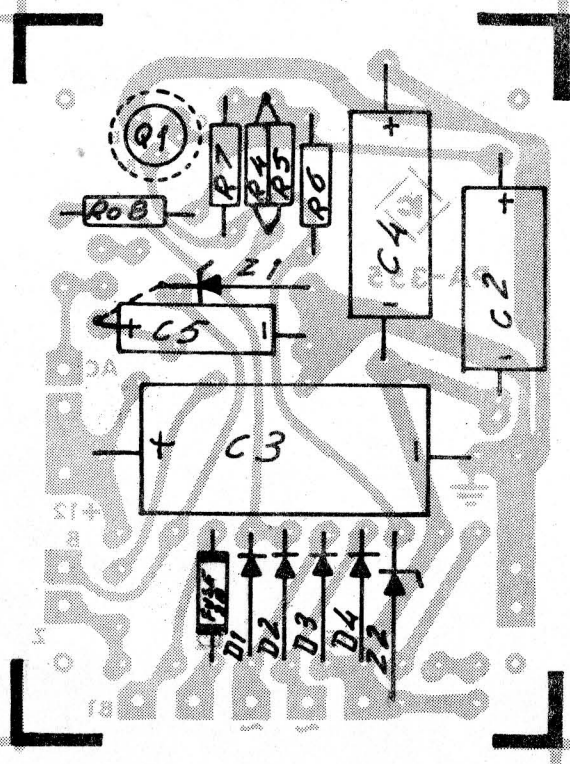




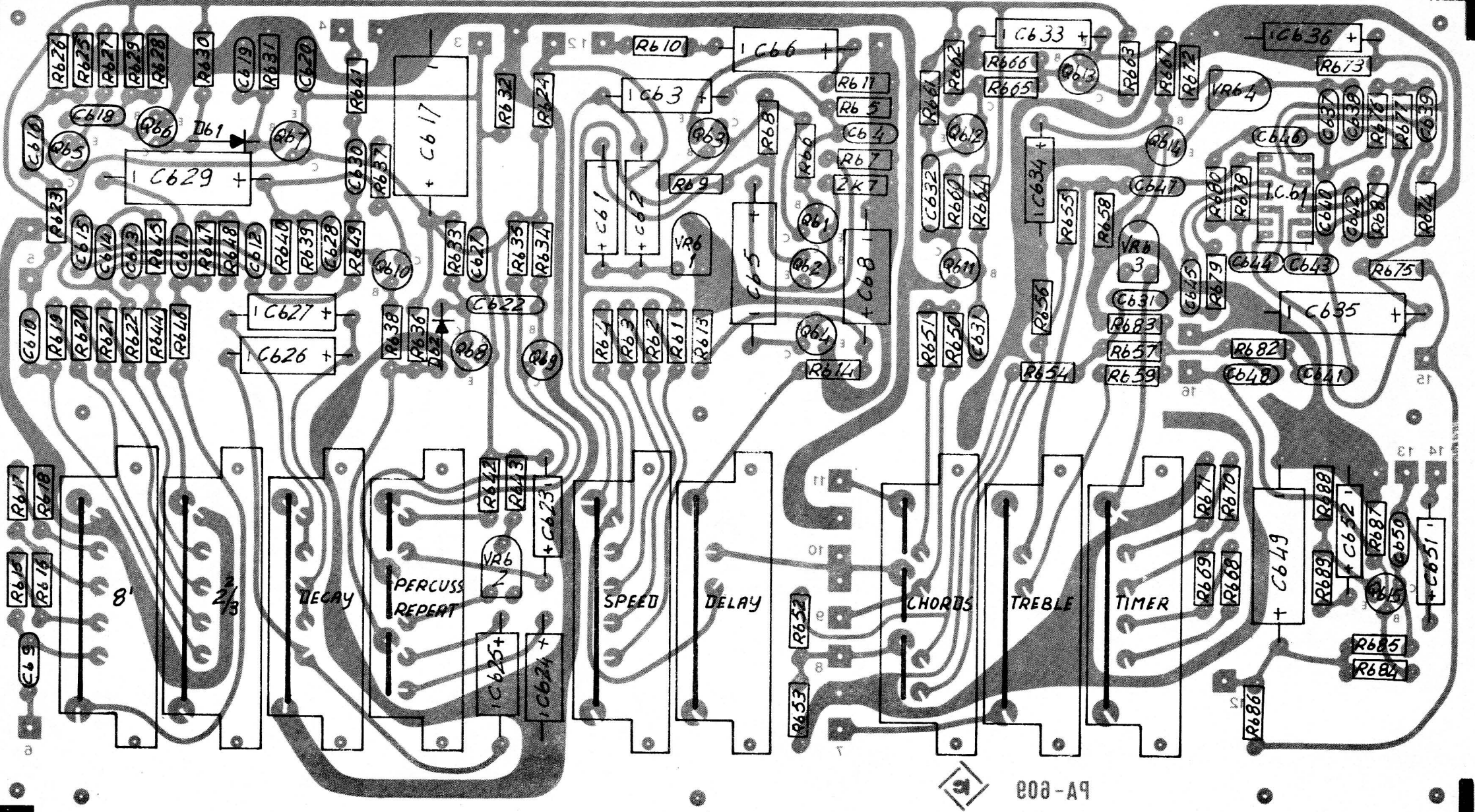
POWER AMPLIFIER

PA-359/1

VOLTAGE REGULATOR PA-355

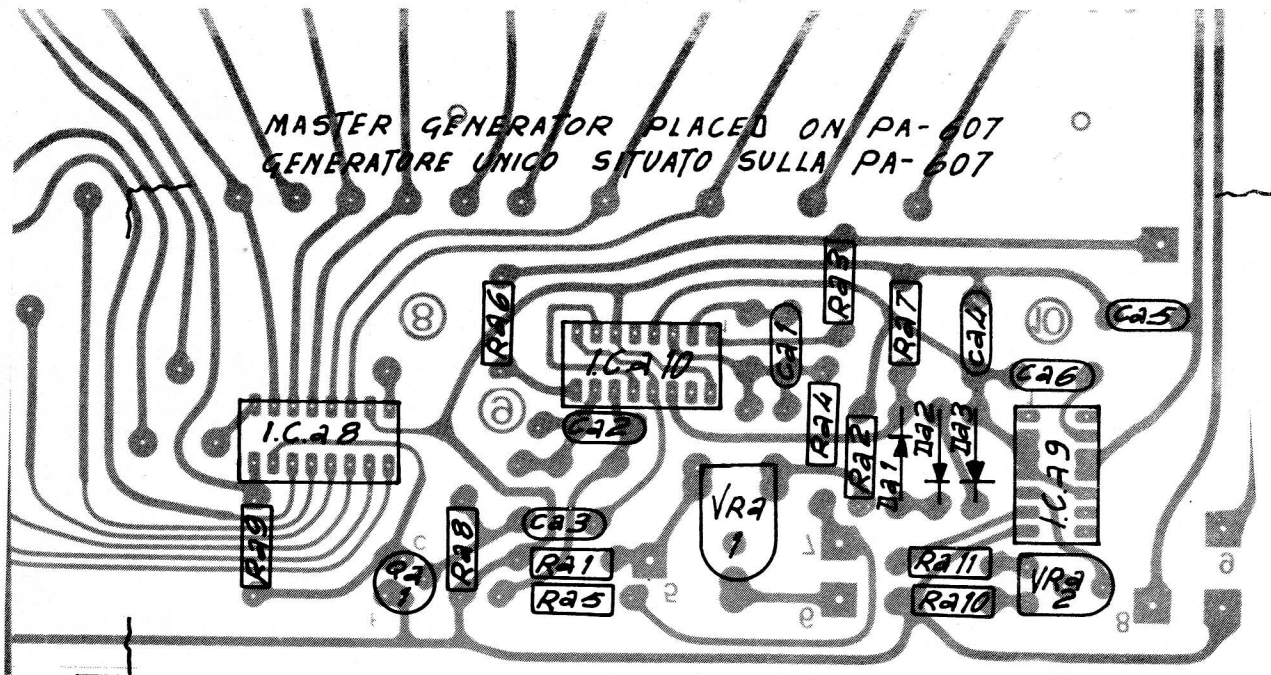




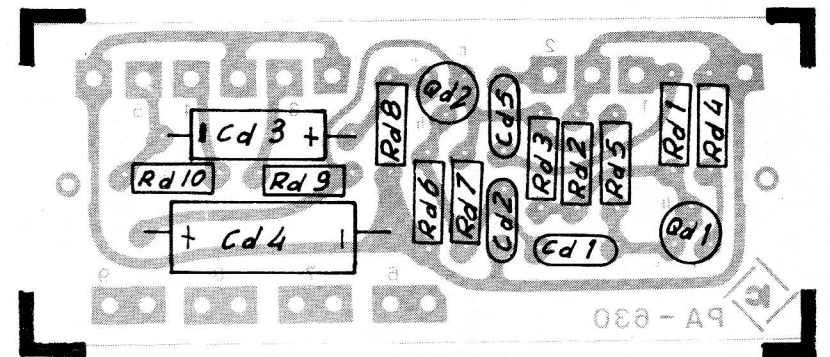


PA-609

MASTER GENERATOR PLACED ON PA-607  
 GENERATORE UNICO SITUATO SULLA PA-607



HEADPHONE PREAMP. PA-630



PA-630



# VIP 200

## TRANSISTORS (Q) & DIODES (D) LIST

①

Schem.Ref.	Circuit	Type	Part Code
<u>CHASSIS</u>	<u>POWER SUPPLY CHASSIS (DWG 2/SE 224)</u>		
Q 2	Series Stabilizer.....	Westinghouse 156-043.. Solitron H 9340.....	W/1800
D 2	Rectifier Bridge.....	ITT B40-C 2200..... SIEMENS B 40-C 2200... AEG B 40-C 2200.....	B/1201
<u>PA 355</u>	<u>VOLTAGE REGULATOR BOARD (DWG 2/SE 224)</u>		<u>6449/1124601</u>
Q 1	Series Stabilizer.....	BC 286.....	W/1601
D 1	Rectifier Diodes (Bridge)..	TEXAS 1N 914.....	B/1002
Z 1	Voltage Reference-Diode Zener (13V - 1W)	ITT ZY 13..... MOTOROLA 1N 4743-A....	B/1418
Z 2	Voltage Reference-Diode Zener (15V - 400mW)	ITT ZPD 15..... MOTOROLA 1N 5245 B....	B/1319
<u>PA 359-1</u>	<u>POWER AMPLIFIER BOARD (DWG 2/SE 224)</u>		<u>6630/1124601</u>
Q 3	Input Preamplifier PNP.....	SGS IW 9640 - BC 154..	W/1500
Q 4	Temperature Compensator....	BC 207 A-B..... BC 209 B-C.....	W/1401 W/1407-1410
Q 5	Driver Amplifier NPN.....	SGS BC 286.....	W/1601
Q 6	Driver NPN.....	SGS BC 286.....	W/1601
Q 7	Driver PNP.....	SGS BC 287.....	W/1702
Q8 - Q9	Power Transistors.....	Westinghouse 156-043.. Solitron H 9340.....	W/1800
<u>PA 608</u>	<u>MANUAL BASS &amp; FILTERS (DWG 2/SE 224)</u>		<u>6732/1111251</u>
Q c 1	Treble preamplifier.....	} BC 209 B red dot..... BC 109 B red dot.....	W/1413 W/1415
Q c 2	Chords preamplifier.....		
Q c 3	Bass preamplifier.....		
Q c 4	Preamplifier.....		
Qc5-Qc6	Attack Control.....	} BC 208-B-C..... BC 209 B.....	W/1404 W/1407
Qc7-Qc8	Buffers.....		
D c 1	Diode.....	D 525 B-BA 130.....	B/1000-B/1003



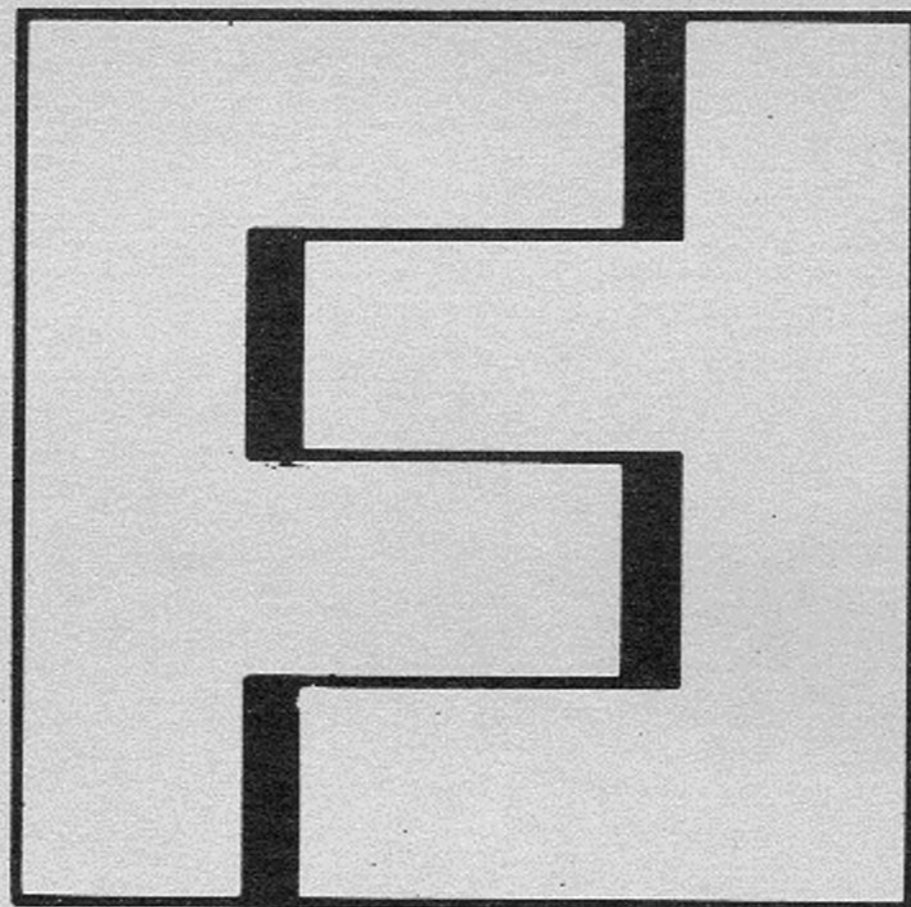
# VIP 200

## TRANSISTORS (Q) & DIODES (D) LIST

2

Schem. Ref.	Circuit	Type	Part Code
<u>PA 607</u>	<u>KEYSWITCH &amp; TONE GENERATOR (DWG 1/SE 224)</u>		<u>6731/1111251</u>
ICa1+ICa7	Frequency Divider.....	G.I.E. AY-1-5050.....	W/1100-W/1101
IC a 8	Master Tone Generator.....	G.I.E. AY-1-0212.....	W/1105
IC a 9	Voltage Regulator.....	SN 72723 N.....	W/1209
IC a 10	Oscillator.....	SN 29730 N.....	W/1009
Qa1-Qa2	Buffers.....	BC 208-B-C.....	W/1404
Da1+Da3	Diodes.....	D 525 B-BA 130.....	B/1000-B/1003
<u>PA 609</u>	<u>VIBRATO-WHA-WHA (DWG 1-2/SE 224)</u>		<u>6733/1111251</u>
IC b 1	Wha-Wha Filter.....	SN 76131 white dot...	W/1212
Qb1-Qb2	Vibrato Oscillator.....	} BC 208 BC..... BC 209 B.....	W/1404 W/1407
Q b 3	Driver.....		
Q b 5	Buffer.....		
Q b 6	Amplifier.....		
Q b 7	Driver.....		
Qb8-Qb9	Multivibrator.....		
Q b 4	Delay.....	} BC 209-C MISTRAL.....	W/1426
Q b 10	Keyer.....	} BC 209-C MISTRAL.....	W/1426
Qb11-Qb12	Monostable Multivibrator..	} BC 208 B-C.....	W/1404
Q b 13	Buffer.....	} BC 209 B.....	W/1407
Q b 14	Switch.....	BC 209-B.....	W/1407
Q b 15	Preamplifier.....	BC 209-B red dot.....	W/1413
D b 1	Diode.....	D 525 B-BA 130.....	B/1000-B/1003
D b 2	Diode.....	IR 10 D1-10 D4..... IR 10 D2.....	B/1100-B/1101
<u>PA 630</u>	<u>HEADPHONE PREAMPLIFIER (DWG 2/SE 224)</u>		<u>6734/1111251</u>
Qd1-Qd2	Preamplifier.....	BC 209 B red dot..... BC 109 B red dot.....	W/1413 W/1415





FARFISA S.p.A.  
IS A SUBSIDIARY  
OF LEAR SIEGLER, Inc. 