

KAWAI SX-210

8 VOICE
POLYPHONIC
PROGRAMMABLE
SYNTHESIZER

Service Manual

MANUAL MANOR
www.markglinsky.com/ManualManor.html
glinskym@sbcglobal.net

CONTENTS

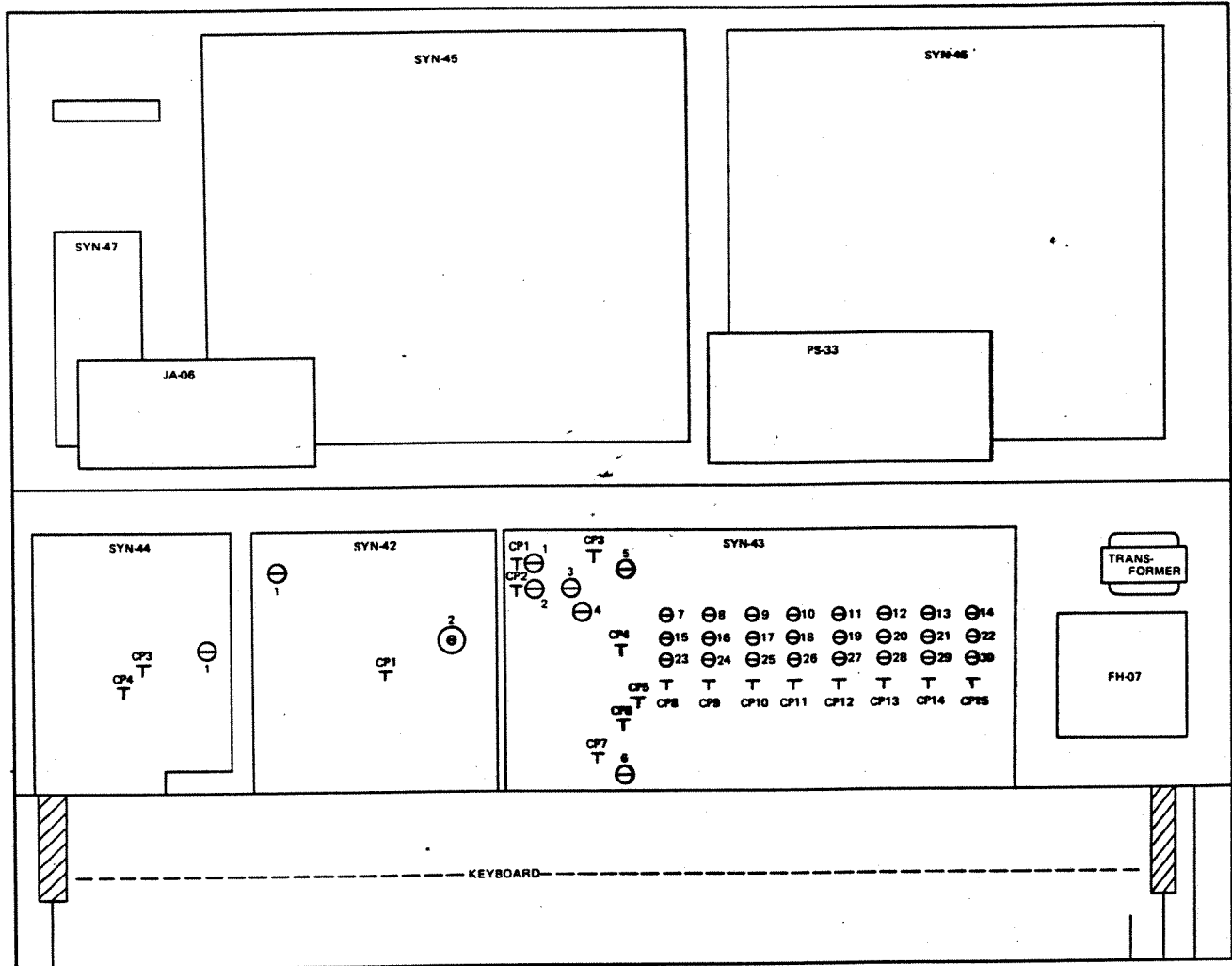
SPECIFICATIONS	2
SX-210 PANEL LAYOUT	2
PRINTED CIRCUIT BOARD GUIDE	4
P.C.B. LAYOUT	5
BLOCK DIAGRAM	6
KEYBOARD CIRCUIT DIAGRAM	8
SYN-42 CIRCUIT BLOCK LAYOUT	10
SYN-42 CIRCUIT DIAGRAM	12
SYN-42 PANEL ARRANGEMENT DIAGRAM	14
SYN-43 CIRCUIT BLOCK LAYOUT	16
SYN-43 (1/2) CIRCUIT DIAGRAM	18
SYN-43 (2/2) CIRCUIT DIAGRAM	20
SYN-43 PANEL ARRANGEMENT DIAGRAM	22
SYN-44 CIRCUIT DIAGRAM	24
SYN-44 PANEL ARRANGEMENT DIAGRAM	26
SYN-45 CIRCUIT DIAGRAM	28
SYN-45 PANEL ARRANGEMENT DIAGRAM	30
SYN-46 CIRCUIT DIAGRAM	32
SYN-46 PANEL ARRANGEMENT DIAGRAM	34
PS-33 . FH-07 CIRCUIT DIAGRAM	36
PS-33 . FH-07 PANEL ARRANGEMENT DIAGRAM	38
JA-06 & SYN-47, CIRCUIT DIAGRAM	40
I.C. INFORMATION	42
CIRCUIT FUNCTIONS	47
ADJUSTMENTS	51
PARTS LIST	54

PRINTED CIRCUIT BOARDS GUIDE

P.C.B. Name	Description	Page
SYN-42	Micro Computer	10
SYN-43	Sample and Hold, Noise Generator, Sawtooth Generator, Wave Form Converter, VCF, VCF-EG, VCA, VCA-EG, HPF	16
SYN-44	Ensemble & Headphone Amplifier	24
SYN-45	Panel (Left Half)	28
SYN-46	Panel (Right Half)	32
PS-33 FH-07	Power Supply & Line Filter	38
SYN-47 JA-06	Rear Panel (Jacks & Volume)	40

P.C.B. LAYOUT

⊖ ADJUSTER
 T CHECK PIN



ADJUSTMENT GUIDE

● SYN-44 (P.C.B)

No.	Description
1	ENSEMBLE DEPTH Adj.

● SYN-42 (P.C.B)

No.	Description
1	PITCH BEND Adj.
2	MASTER FINE TUNE

● SYN-43 (P.C.B)

No.	Description
1	ANTILOG OFFSET Adj.
2	TEMPERATURE COEFFICIENT Adj.
3	KCV LEVEL Adj.
4	KCV OFFSET Adj.
5	VCA OFFSET Adj.
6	NOISE LEVEL Adj.
7	VCF OFFSET (CH1) Adj.
8	VCF OFFSET (CH2)
9	VCF OFFSET (CH3)
10	VCF OFFSET (CH4)
11	VCF OFFSET (CH5)
12	VCF OFFSET (CH6)
13	VCF OFFSET (CH7)
14	VCF OFFSET (CH8)
15	VCF CUTOFF (CH1) Adj.
16	VCF CUTOFF (CH2)
17	VCF CUTOFF (CH3)
18	VCF CUTOFF (CH4)
19	VCF CUTOFF (CH5)
20	VCF CUTOFF (CH6)

No.	Description
21	VCF CUTOFF (CH7)
22	VCF CUTOFF (CH8)
23	VCF RESONANCE LEVEL (CH1)
24	VCF RESONANCE LEVEL (CH2)
25	VCF RESONANCE LEVEL (CH3)
26	VCF RESONANCE LEVEL (CH4)
27	VCF RESONANCE LEVEL (CH5)
28	VCF RESONANCE LEVEL (CH6)
29	VCF RESONANCE LEVEL (CH8)
30	VCF RESONANCE LEVEL (CH8)

■ SPECIFICATIONS, PANEL LAYOUT

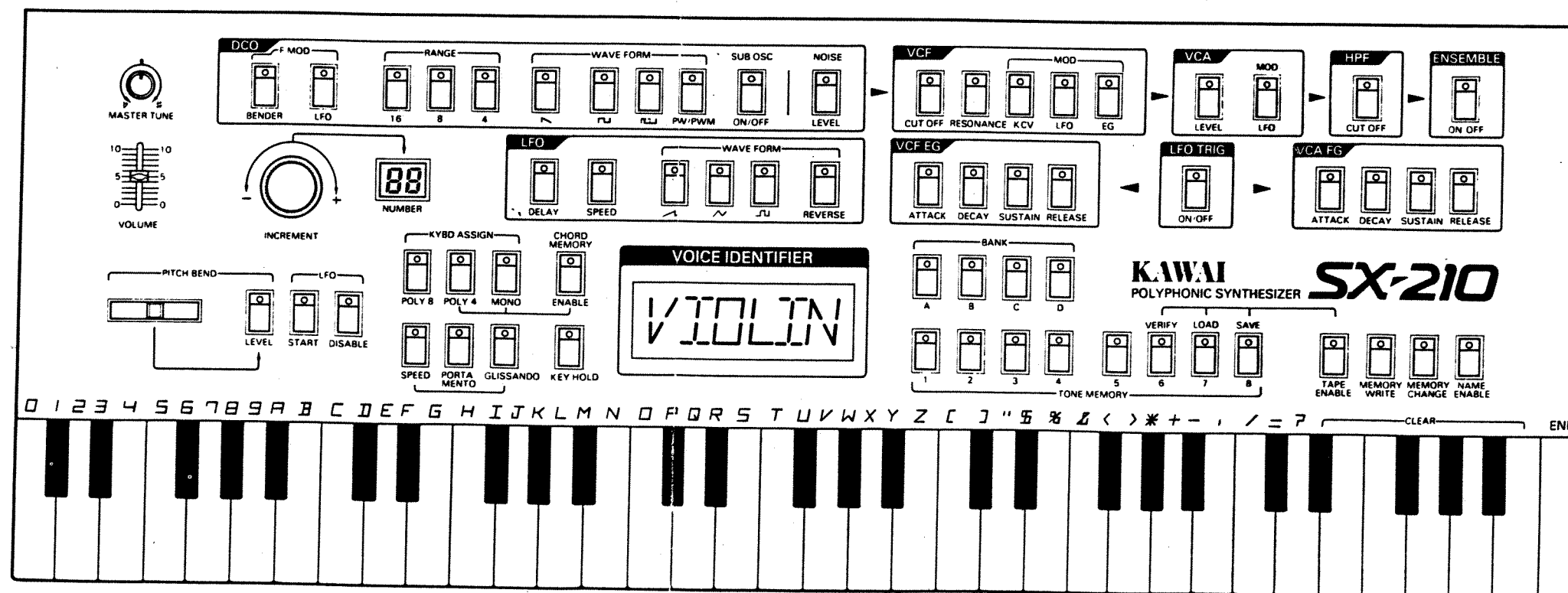
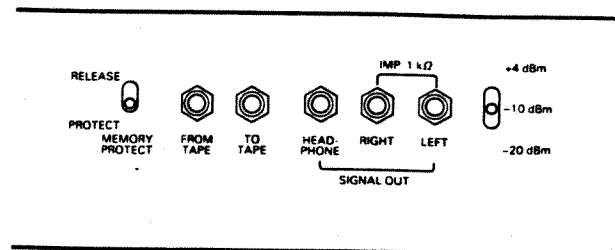
SPECIFICATIONS

KEYBOARD		61 keys
DCO	Range	16' 8' 4'
	Wave Form	
Frequency Modulation	PW/PWM Mod.	
	Bend Depth	
	LFO Mod. Depth	
	Sub Osc	
KEYBOARD ASSIGN MODE		Poly 8 Poly 4 Mono
		Chord Memory
		Cut-Off Frequency Resonance
VCF		KCV Mod. Depth LFO Mod. Depth EG Mod. Depth
	Modulation	
VCA	Modulation	Level LFO Mod. Depth

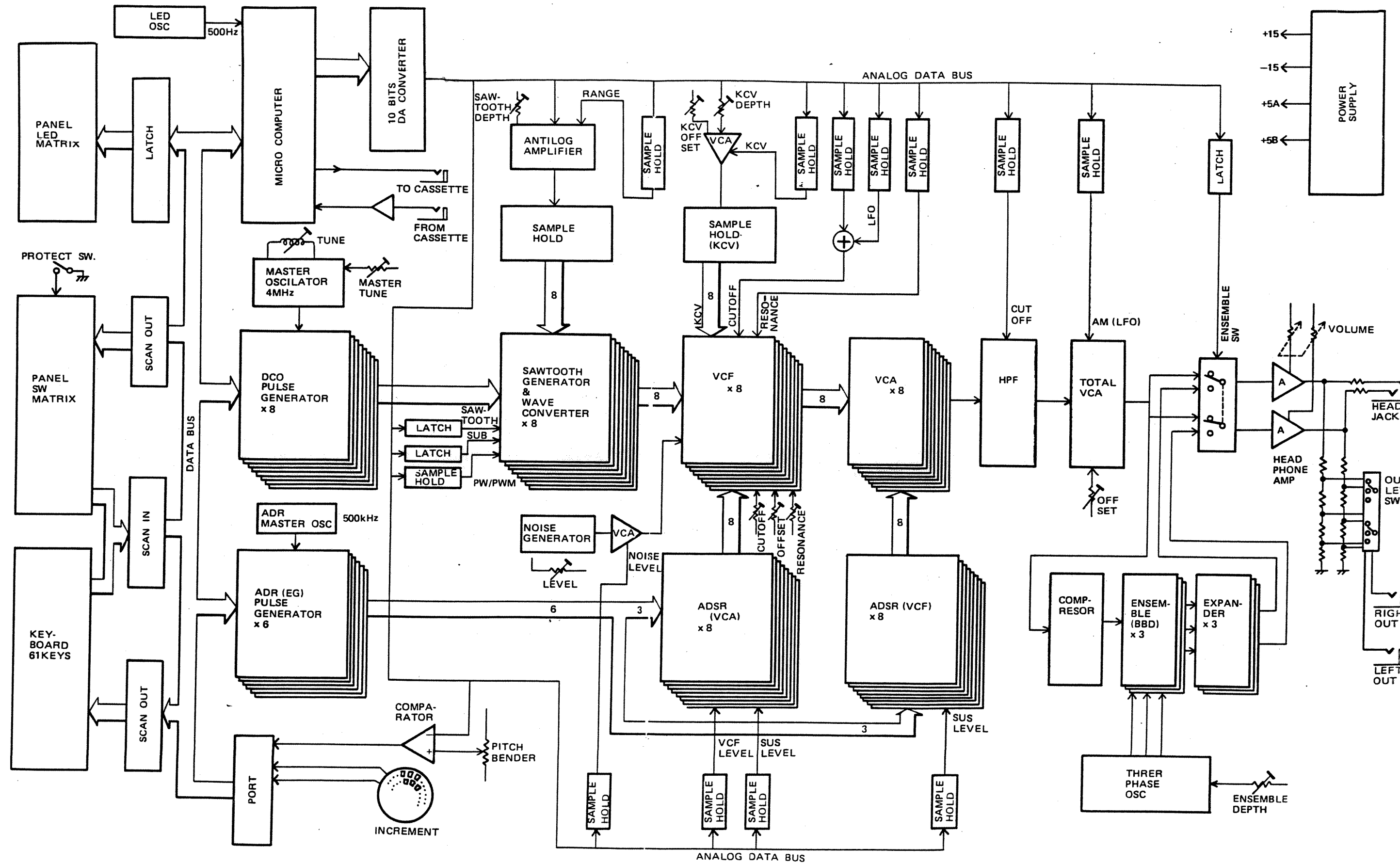
VCF-EG VCA-EG		Attack Time Decay Time Sustain Level Release Time
HPF		Cut-Off Frequency
LFO	Wave Form	
		Reverse
EFFECT		Speed Delay Time Ensemble Portamento Glissando Speed Hold
	VCF-EG/VCA-EG	LFO Trigger
	Pitch Bender	Hand Controller Bend Depth
	LFO Modulation	Disable Start
		Total Volume Master Tune

MEMORY		Memory Write Memory Change Name Enable
VOICE IDENTIFIER		16 Segment LED x
INCREMENT		
NUMBER DISPLAY		7 Segment LED x 2
TAPE INTERFACE		Tape Enable Save Load Verify
	Signal Out	Left Right Level Select Switch Headphone
REAR PANEL	Tape Save & Load	To Tape From Tape Memory Protect Sw
POWER CONSUMPTION	40W	
DIMENSIONS	880(W) x 400(D) x 128(H) m/m	
WEIGHT	12.2 kg	

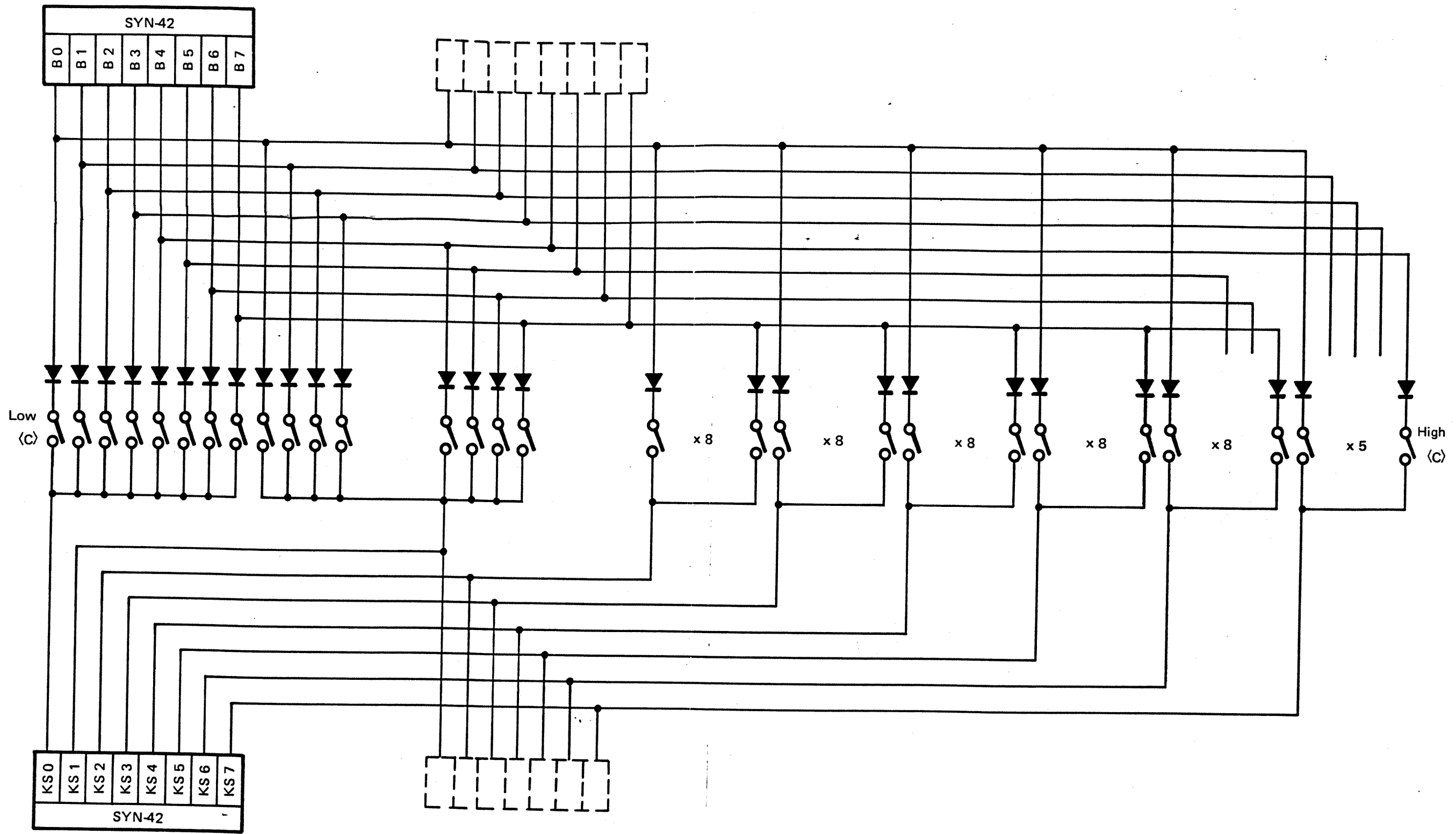
PANEL LAYOUT



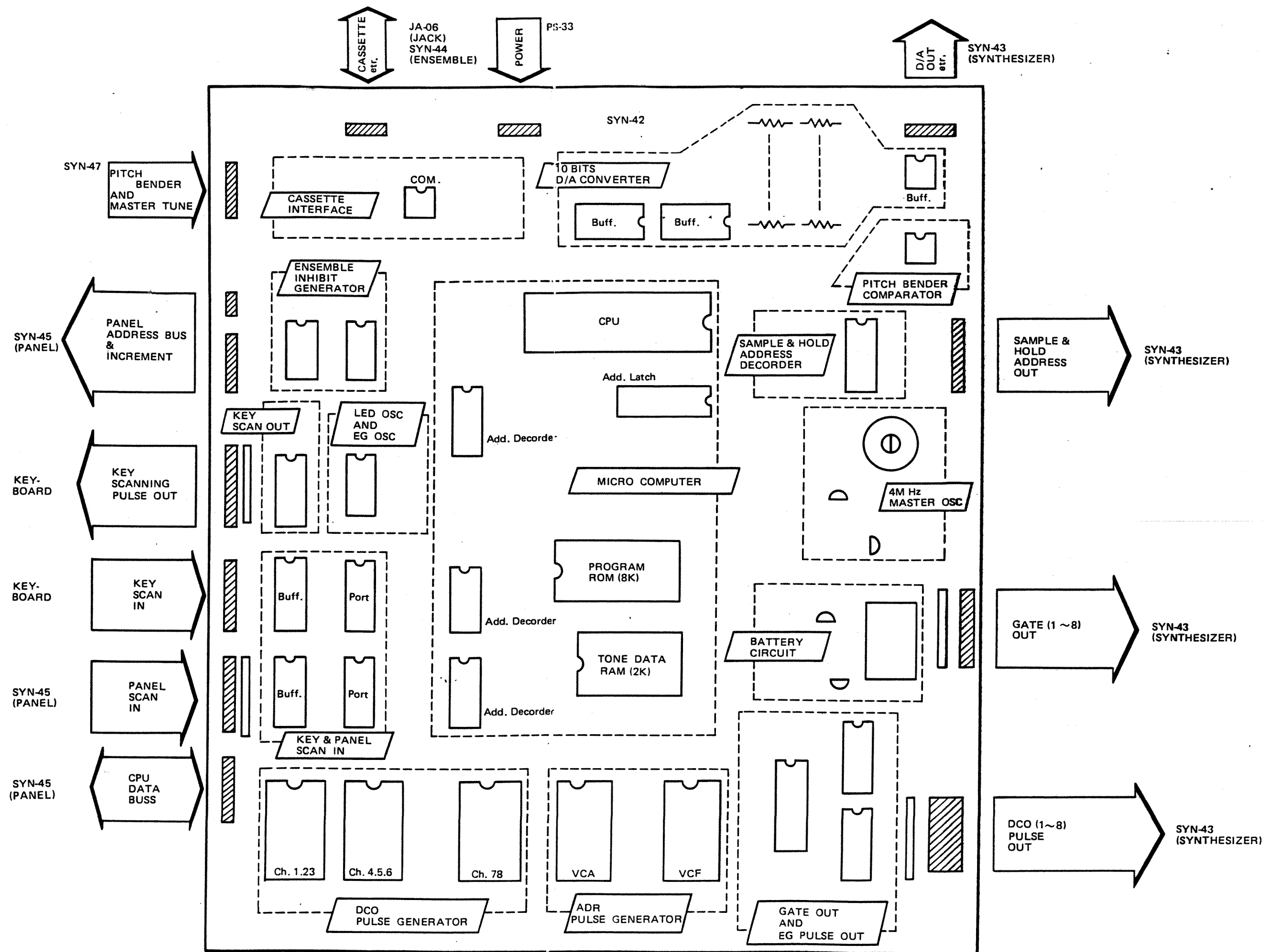
■ BLOCK DIAGRAM



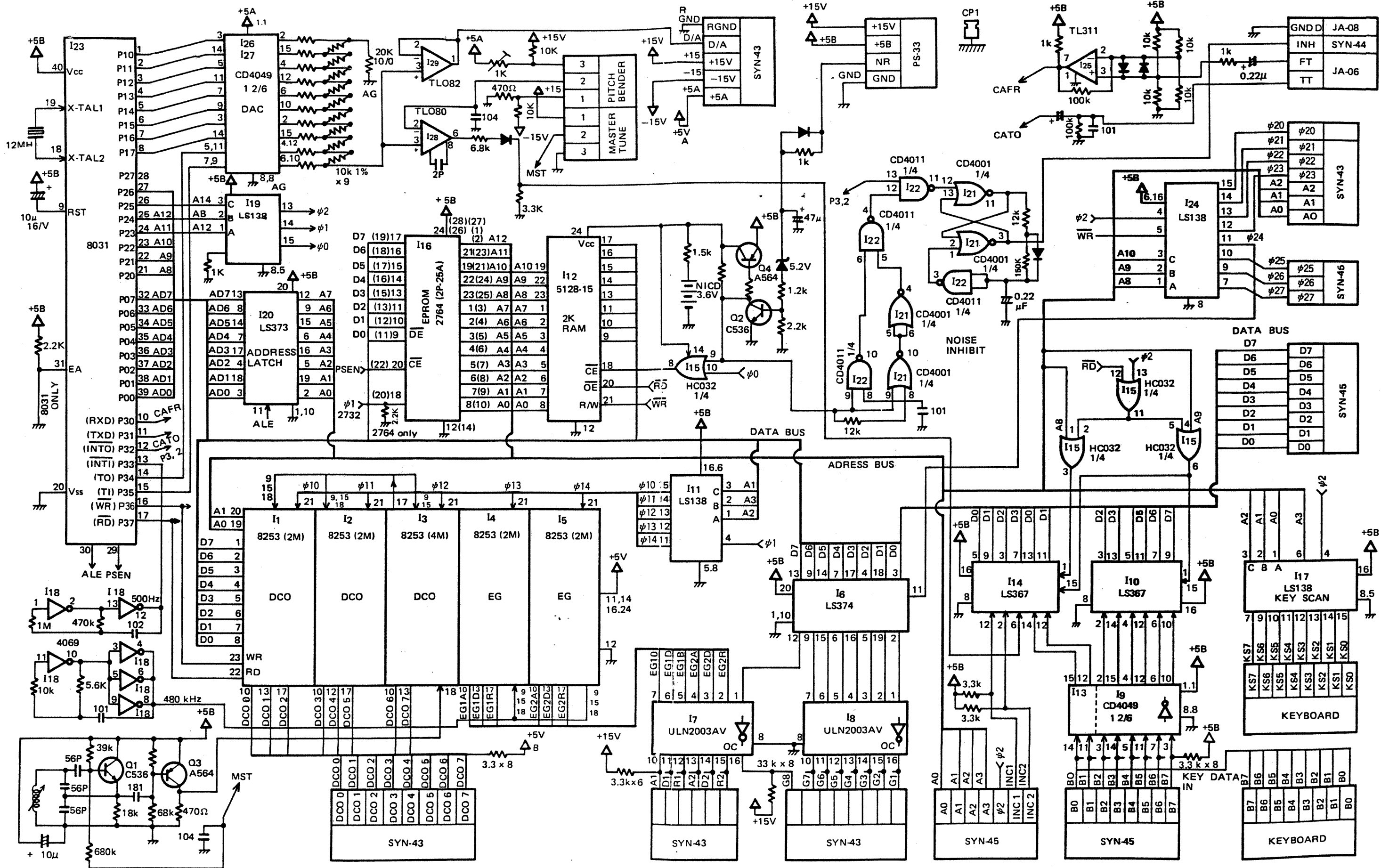
■ KEYBOARD CIRCUIT DIAGRAM

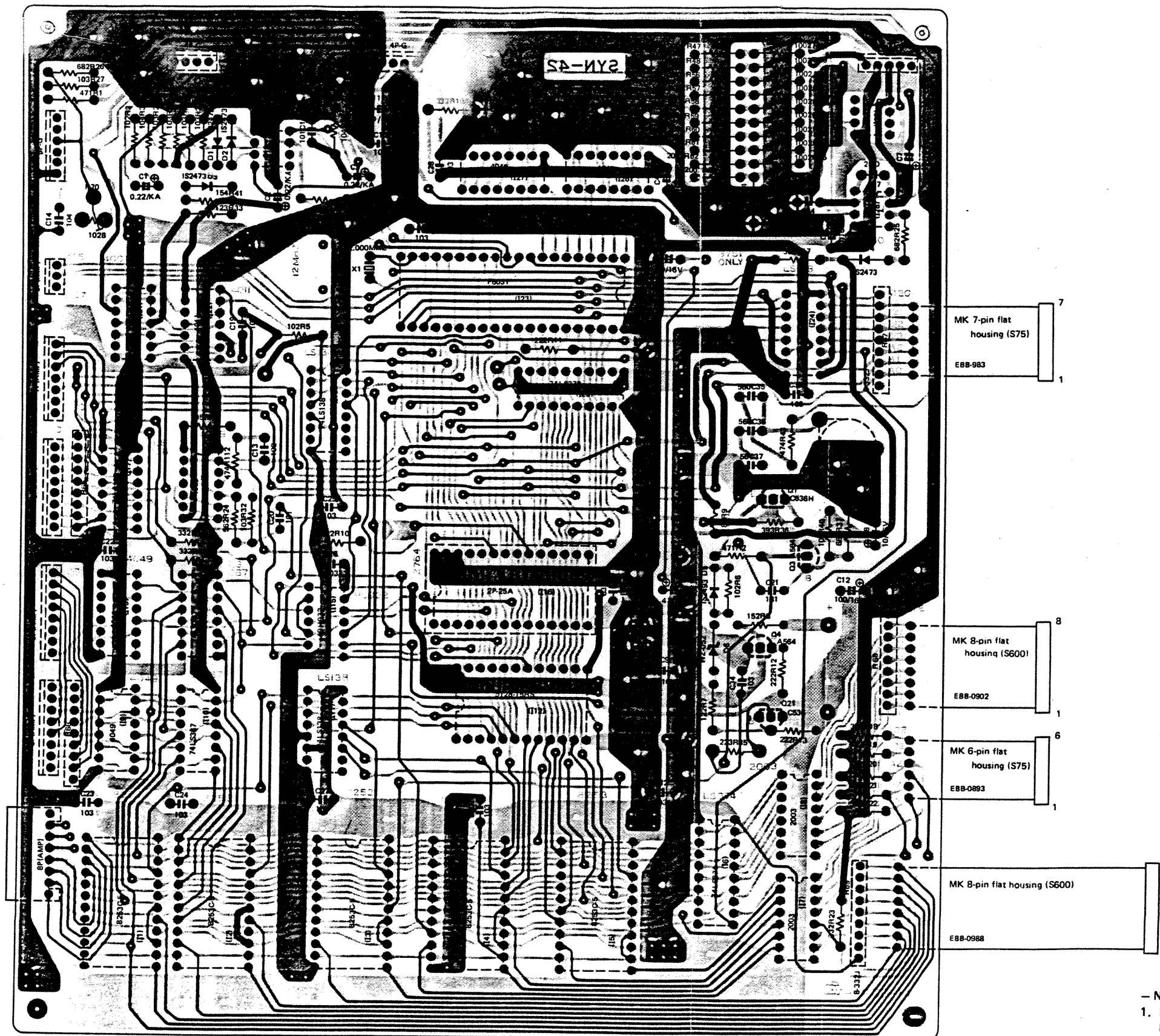


■ SYN-42 CIRCUIT BLOCK LAYOUT



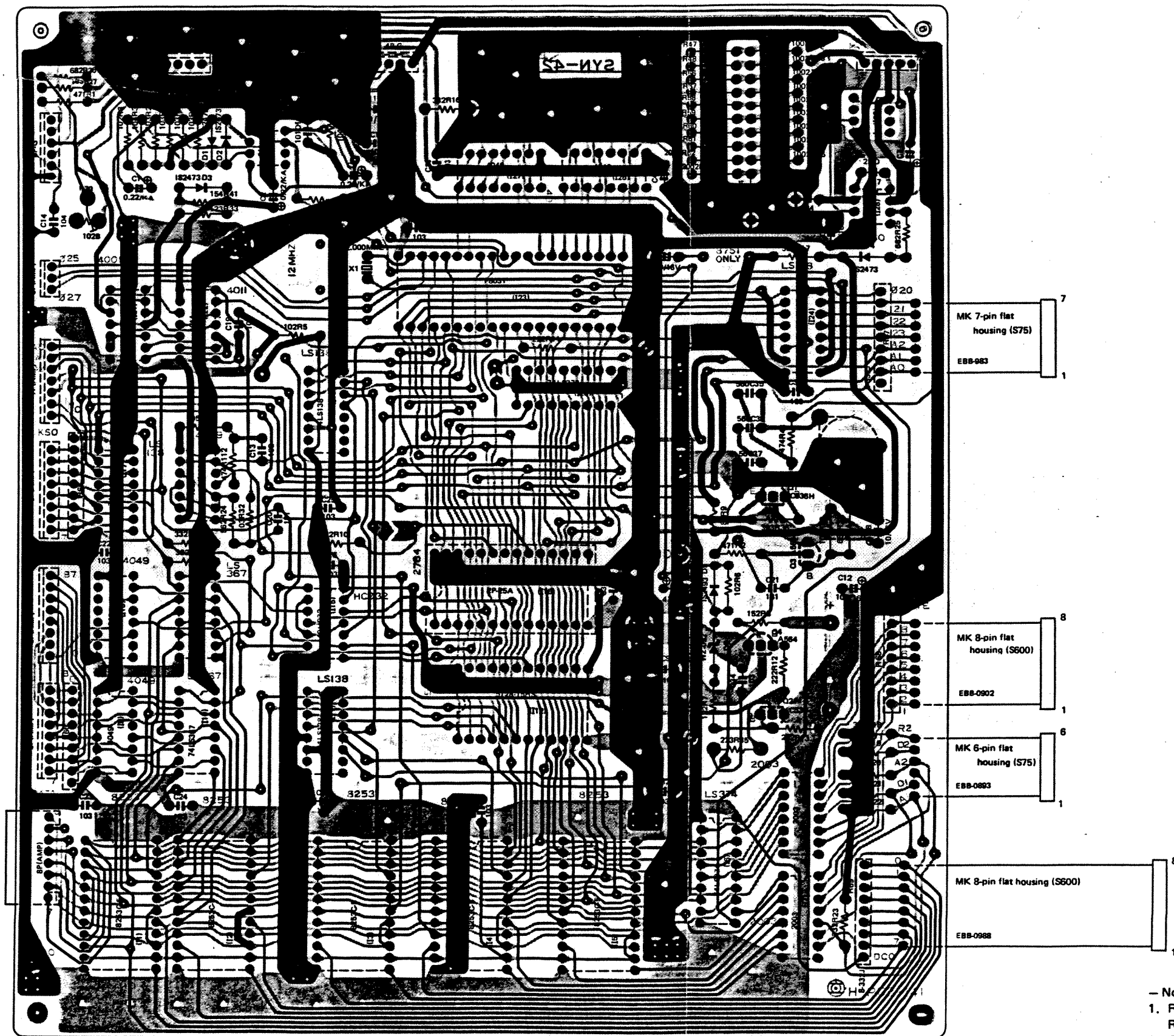
■ SYN-42 CIRCUIT DIAGRAM MICRO COMPUTER





— Notes —

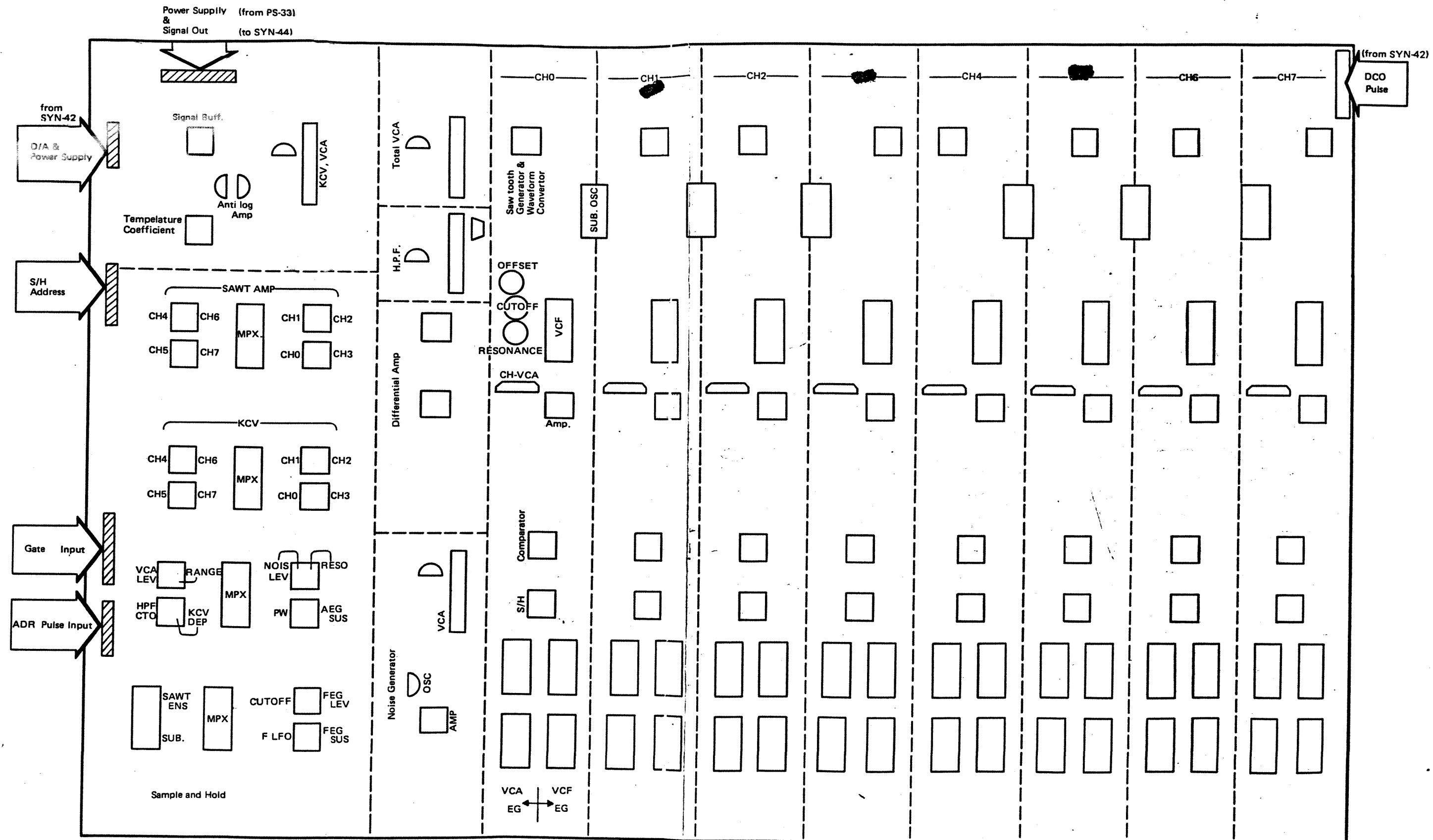
1. Resistors R45-48 (green 5th band) should be accurate to within 0.5%. Resistors R49-64 (brown 5th band) should be accurate to within 1%.
2. Ceramic condensers C35-37 are all Part No. 800153.



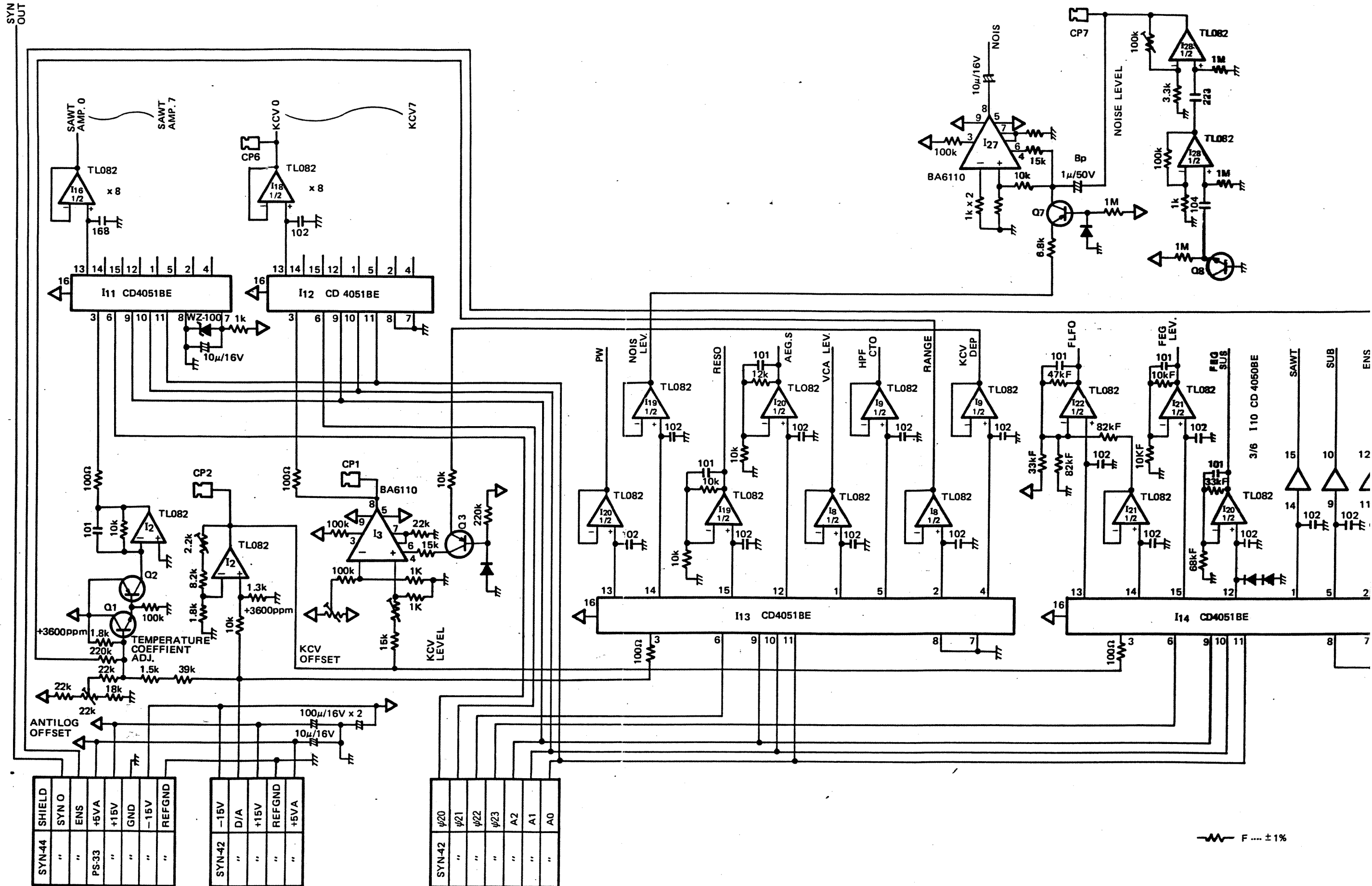
— Notes —

1. Resistors R45-48 (green 5th band) should be accurate to within 0.5%. Resistors R49-64 (brown 5th band) should be accurate to within 1%.
2. Ceramic capacitors C35-37 are all Part No. 800153.

■ SYN-43 CIRCUIT BLOCK LAYOUT

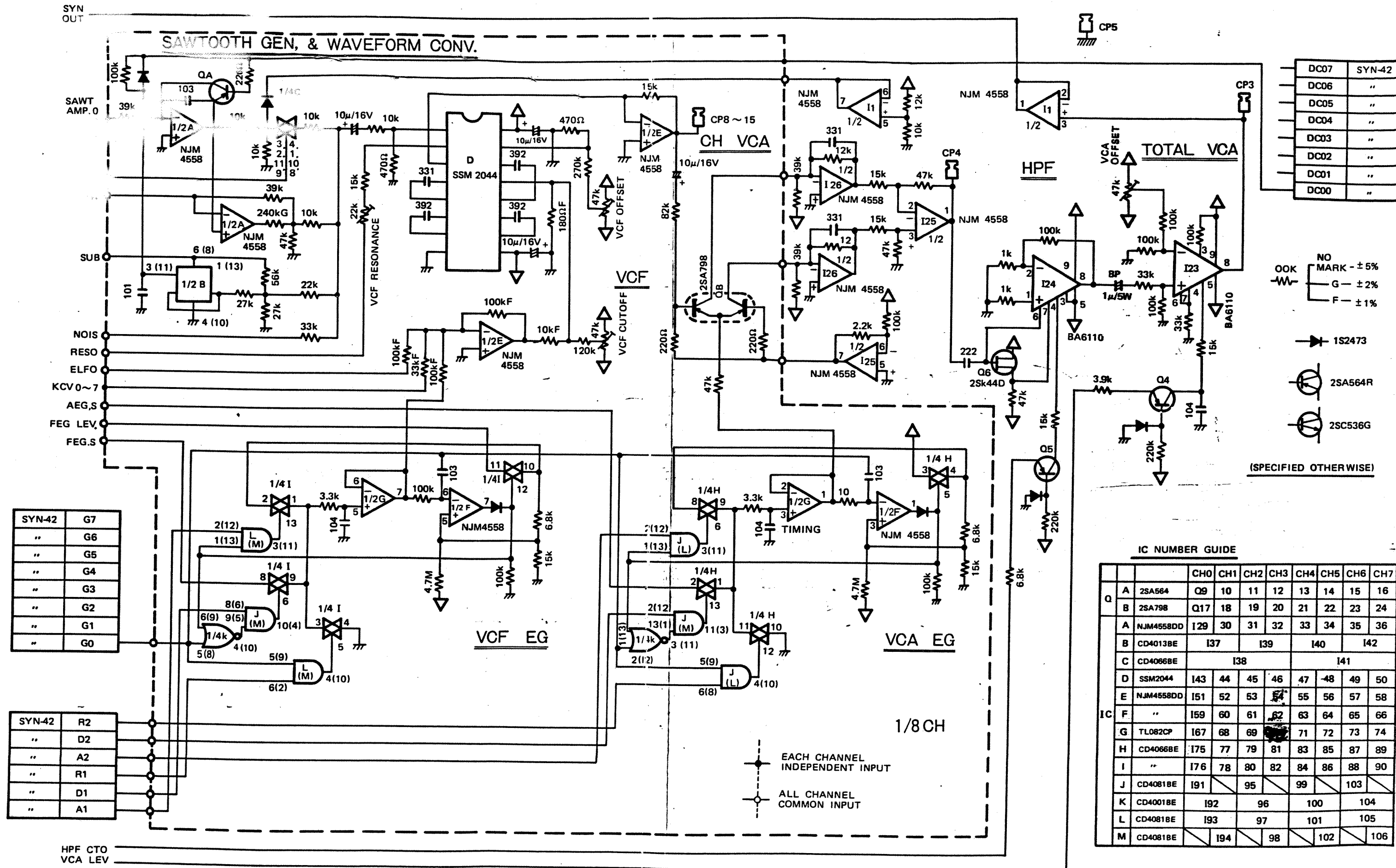


■ SYN-43 (1/2) CIRCUIT DIAGRAM SAMPLE AND HOLD, NOISE GENERATOR



F ... ±1%

■ SYN-43 (2/2) CIRCUIT DIAGRAM SAWTOOTH GEN. WAVE FORM CONV. VCF. VCFEG. VCAEG. HPF. VCA



SYN-42	G7
"	G6
"	G5
"	G4
"	G3
"	G2
"	G1
"	G0

SYN-42	R2
"	D2
"	A2
"	R1
"	D1
"	A1

DC07	SYN-42
DC06	"
DC05	"
DC04	"
DC03	"
DC02	"
DC01	"
DC00	"

OOK
 NO MARK - ±5%
 G - ±2%
 F - ±1%

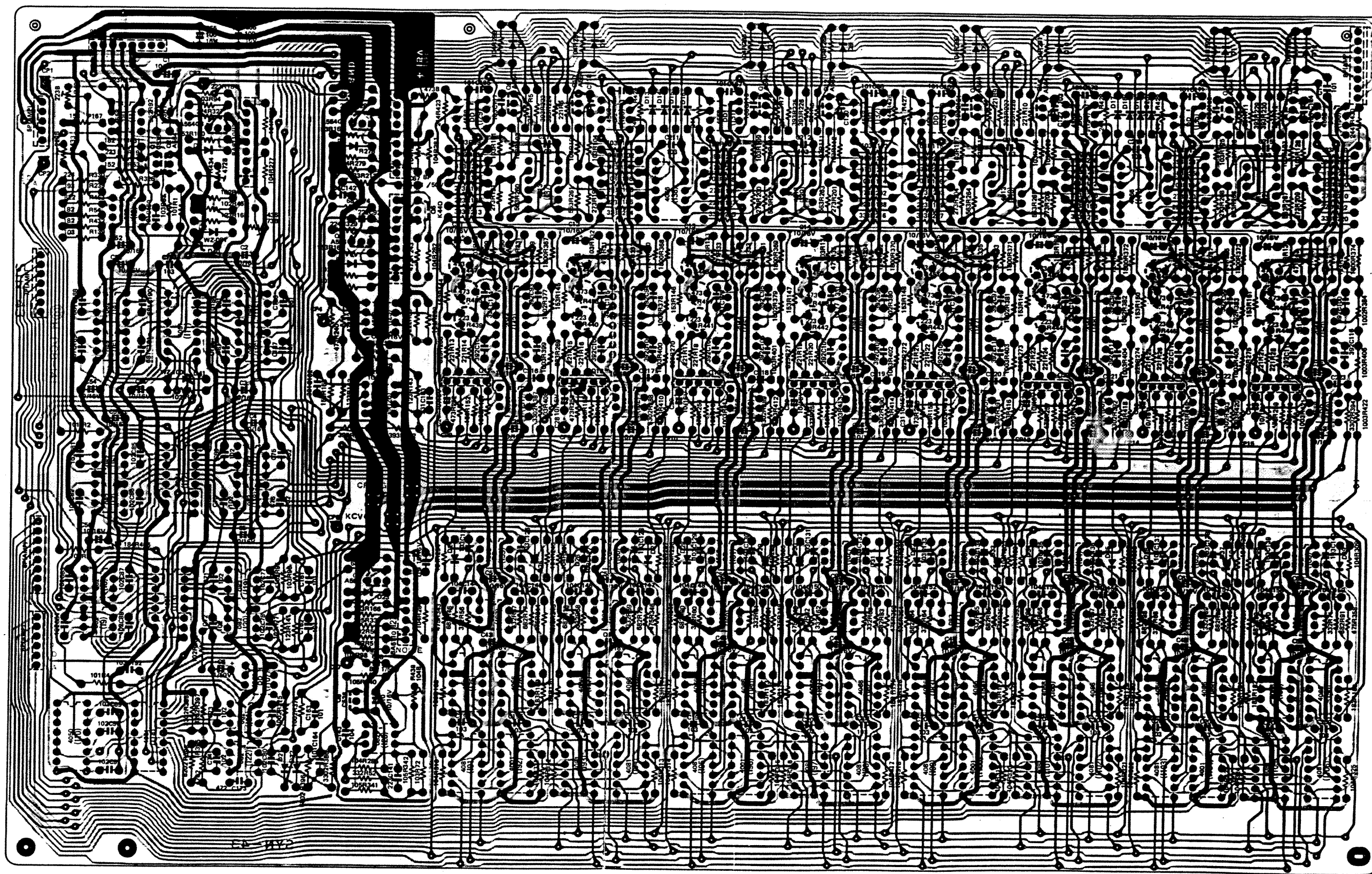
- 1S2473
- 2SA564R
- 2SC536G

(SPECIFIED OTHERWISE)

IC NUMBER GUIDE

		CH0	CH1	CH2	CH3	CH4	CH5	CH6	CH7	
Q	A	2SA564	Q9	10	11	12	13	14	15	16
	B	2SA798	Q17	18	19	20	21	22	23	24
A	A	NJM4558DD	I29	30	31	32	33	34	35	36
	B	CD4013BE	I37	I39	I40	I42				
C	C	CD4066BE	I38			I41				
	D	SSM2044	I43	44	45	46	47	48	49	50
E	E	NJM4558DD	I51	52	53	54	55	56	57	58
	F	"	I59	60	61	62	63	64	65	66
G	G	TL082CP	I67	68	69	70	71	72	73	74
	H	CD4066BE	I75	77	79	81	83	85	87	89
I	I	"	I76	78	80	82	84	86	88	90
	J	CD4081BE	I91		95		99		103	
K	K	CD4001BE	I92		96		100		104	
	L	CD4081BE	I93		97		101		105	
M	M	CD4081BE	I94		98		102		106	

3



— Notes —

- | | | |
|---|--|--|
| <p>1. Unless otherwise specified, all transistors (Q17-24) are Part No. 2SA798.</p> <p>2. Unless otherwise specified, all diodes are Part No. 1S2473.</p> | <p>3. Resistors R367-422 are metal-clad. (Tolerance: 1%)
Resistors R423-430 are carbon resistors. (Tolerance: 2%)
Resistors R431-432 are high-stability resistors.</p> | <p>4. Resistors R439-462 are semi-variable resistors, VR (Part No. H06 1A).</p> <p>5. Mylt condensers C216-223 are all Part No. 333.</p> |
|---|--|--|

\$ 320.10

ENS	SYN-43
INH	SYN-42
SYNO	SYN-43
GND	"

• Noncombustibility Reg. (47Ω 1/2WJ)

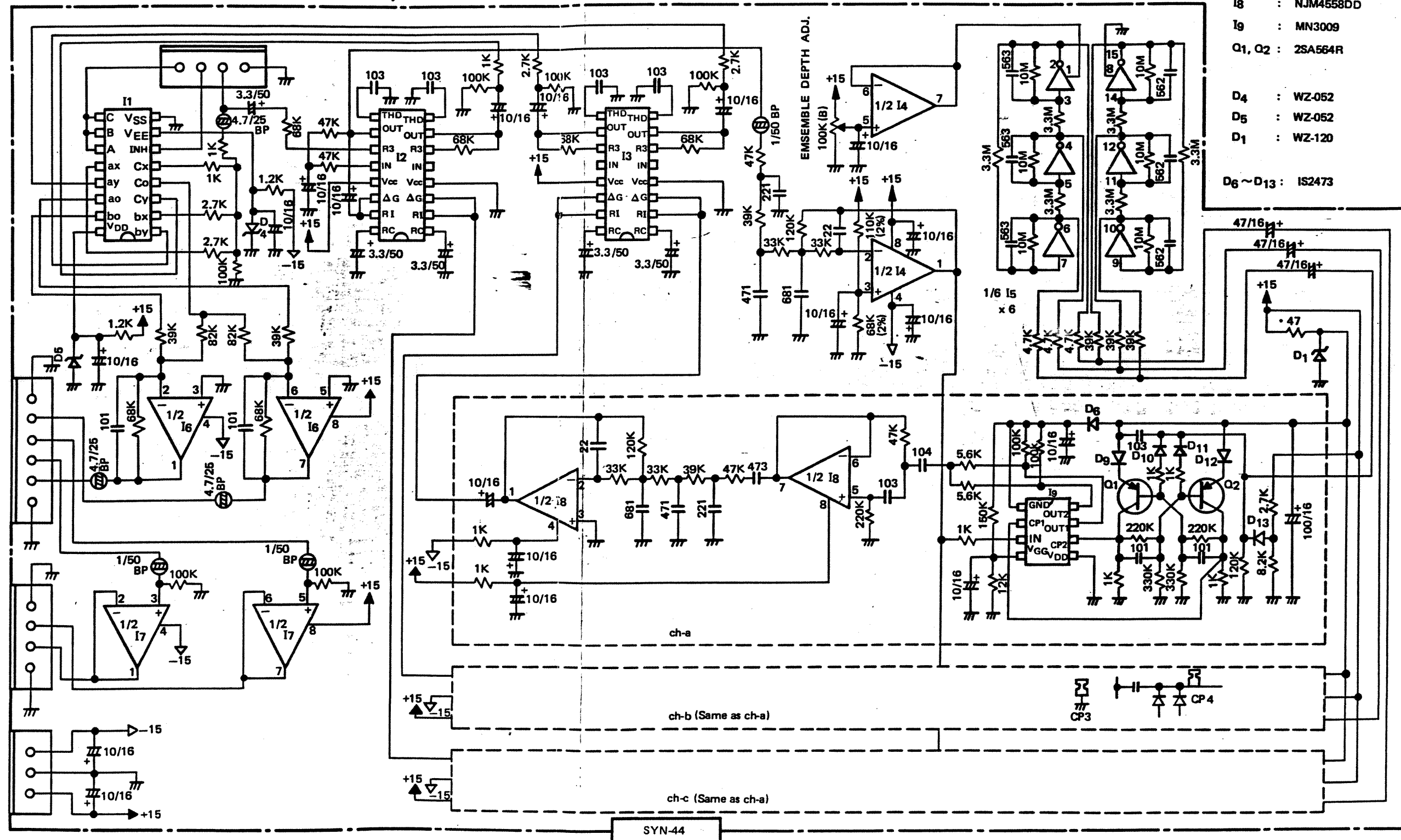
- 22
 - 101
 - 221
 - 471
 - 681
 - 103
- Ceramic Capacitor

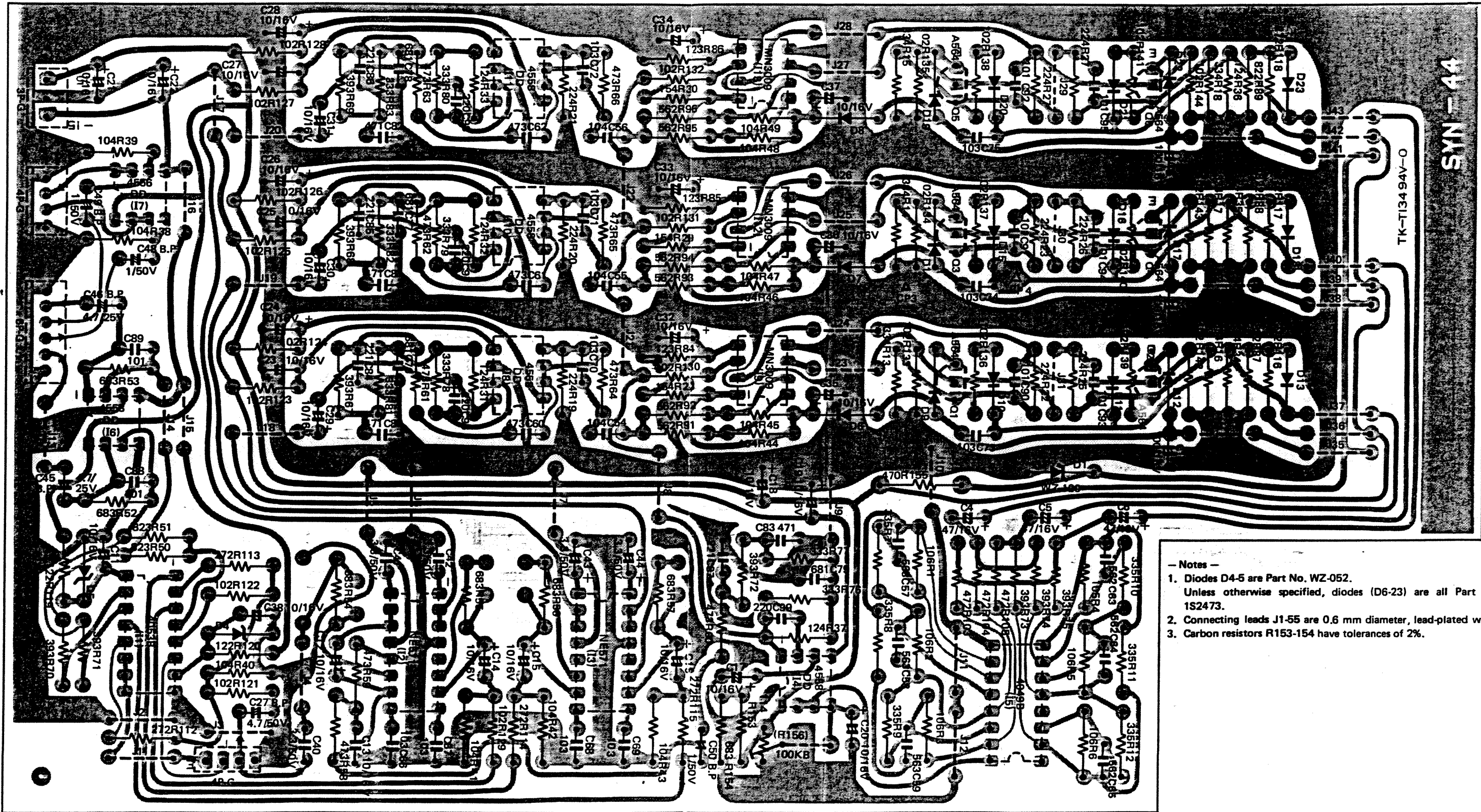
- I1 : CD4053BE
- I2, I3 : NE571N
- I4 : NJM4558DD
- I5 : CD4049BE
- I6 : NJM4558DD
- I7 : NJM4556D
- I8 : NJM4558DD
- I9 : MN3009
- Q1, Q2 : 2SA564R
- D4 : WZ-052
- D5 : WZ-052
- D1 : WZ-120
- D6 ~ D13 : IS2473

SYN-47	GND
"	VIR
"	VOR
"	VOL
"	VIL
"	GND

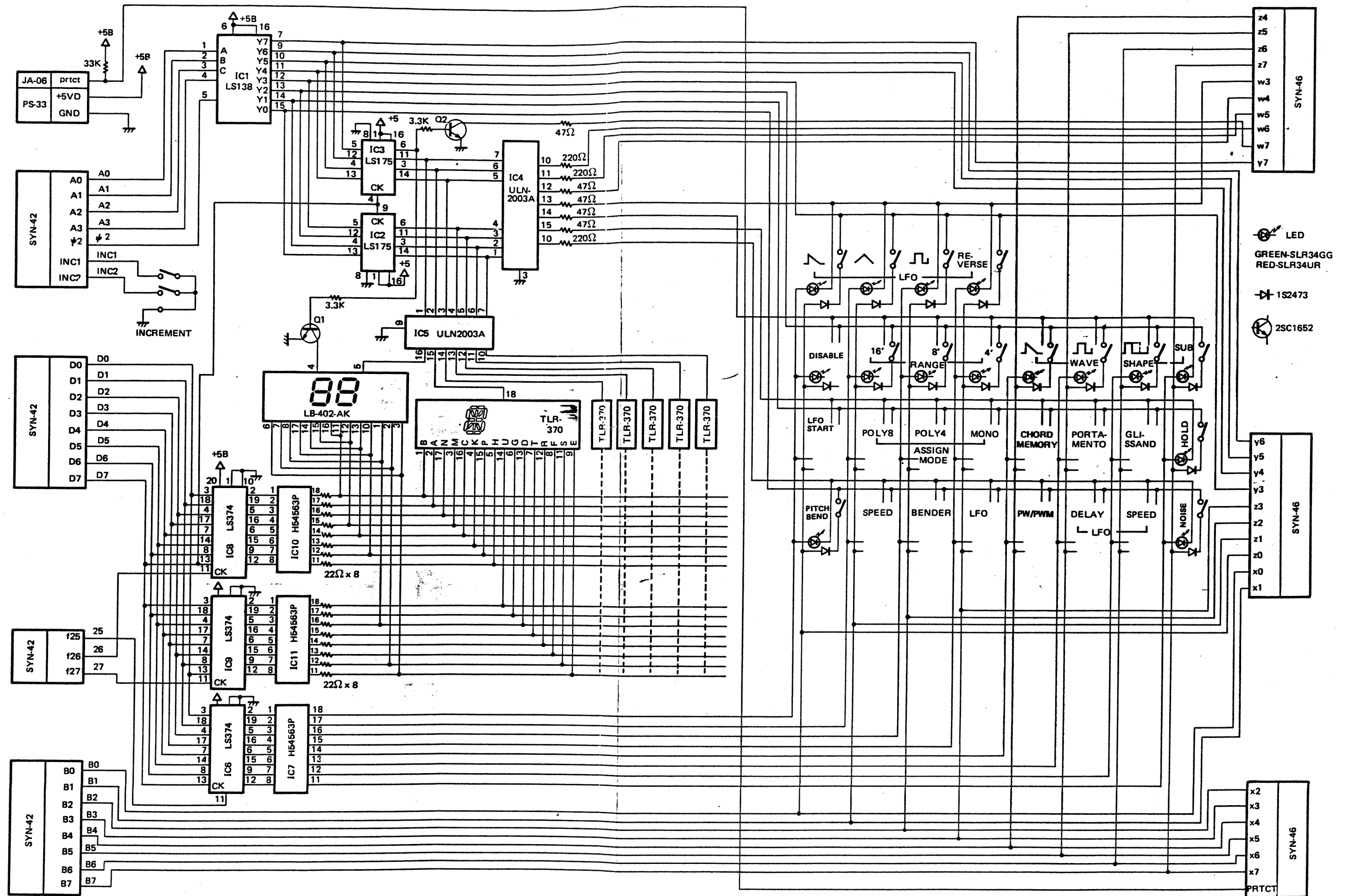
JA-06	GND
"	OUTR
"	OUTL
"	GNDL

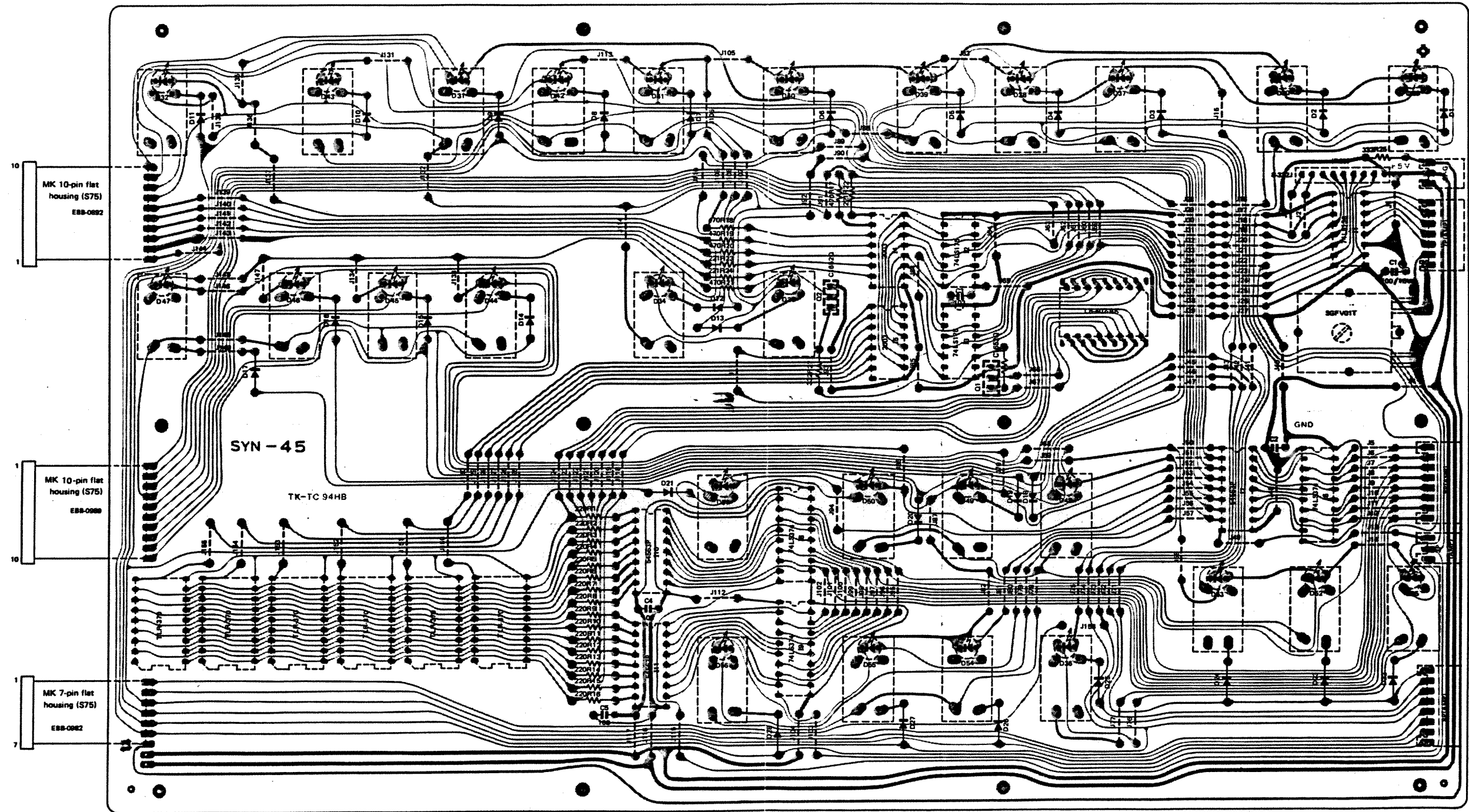
PS-33	-15
"	GND
"	+15



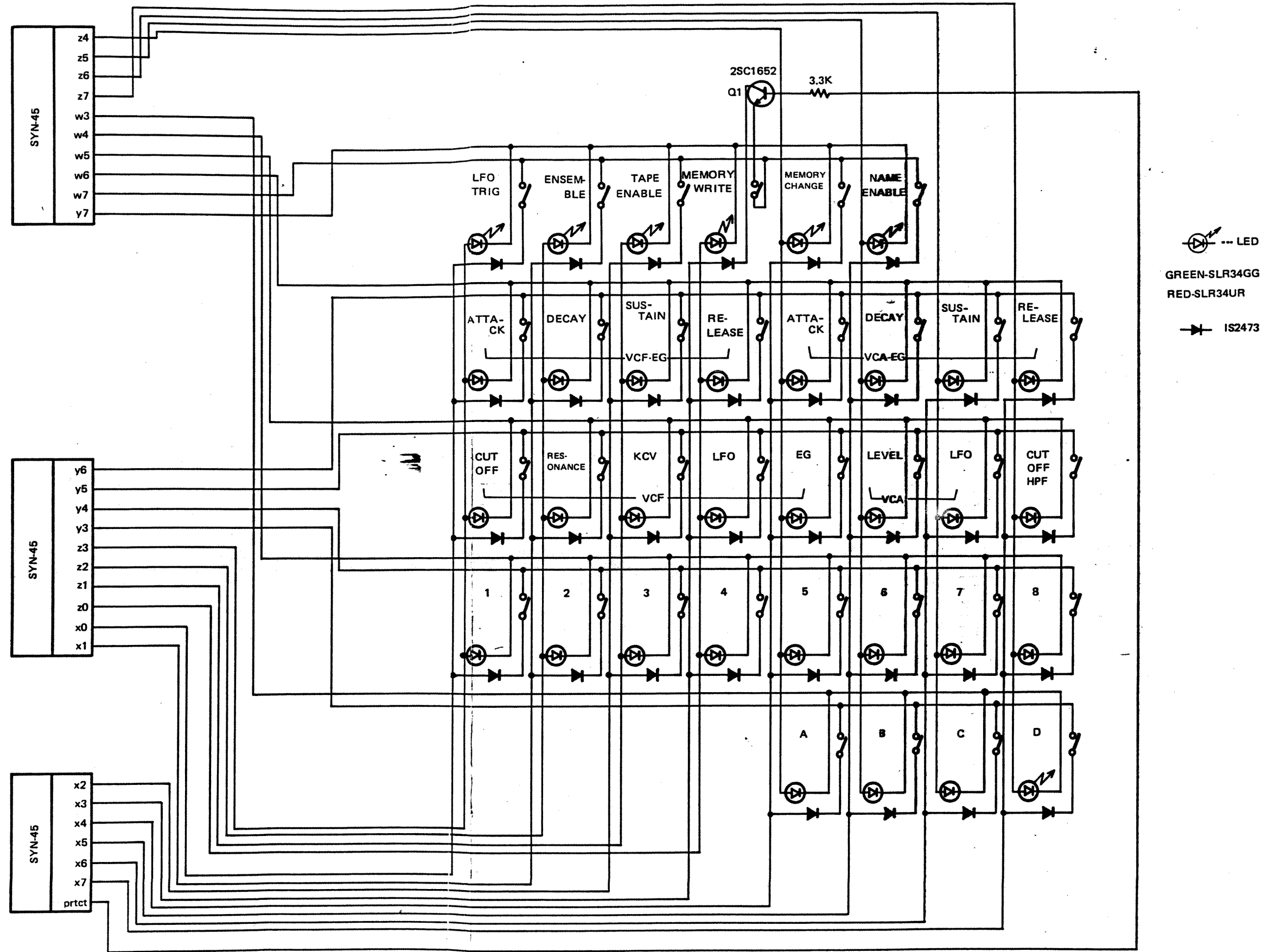


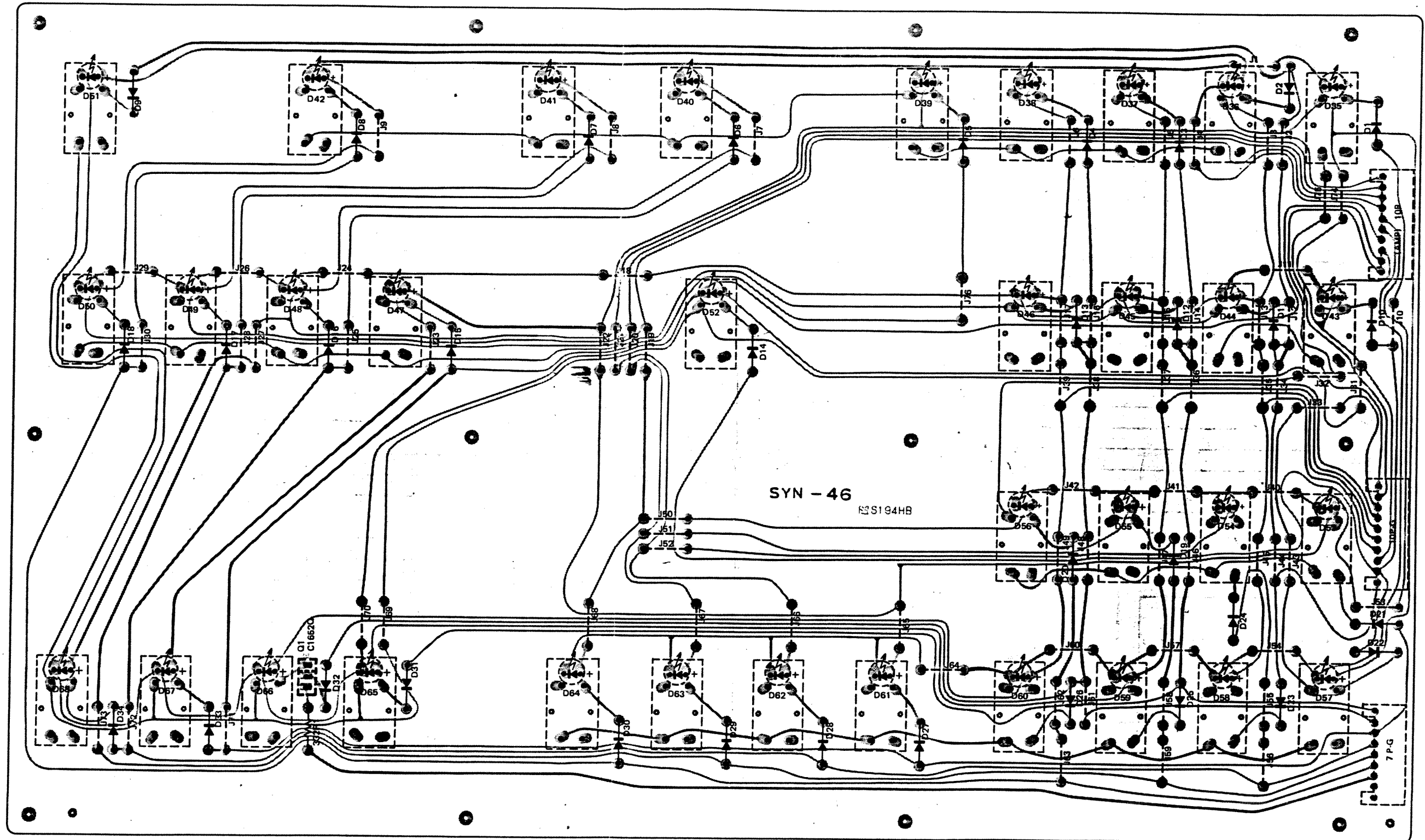
- Notes -
1. Diodes D4-5 are Part No. WZ-052.
Unless otherwise specified, diodes (D6-23) are all Part No. 1S2473.
 2. Connecting leads J1-55 are 0.6 mm diameter, lead-plated wire.
 3. Carbon resistors R153-154 have tolerances of 2%.



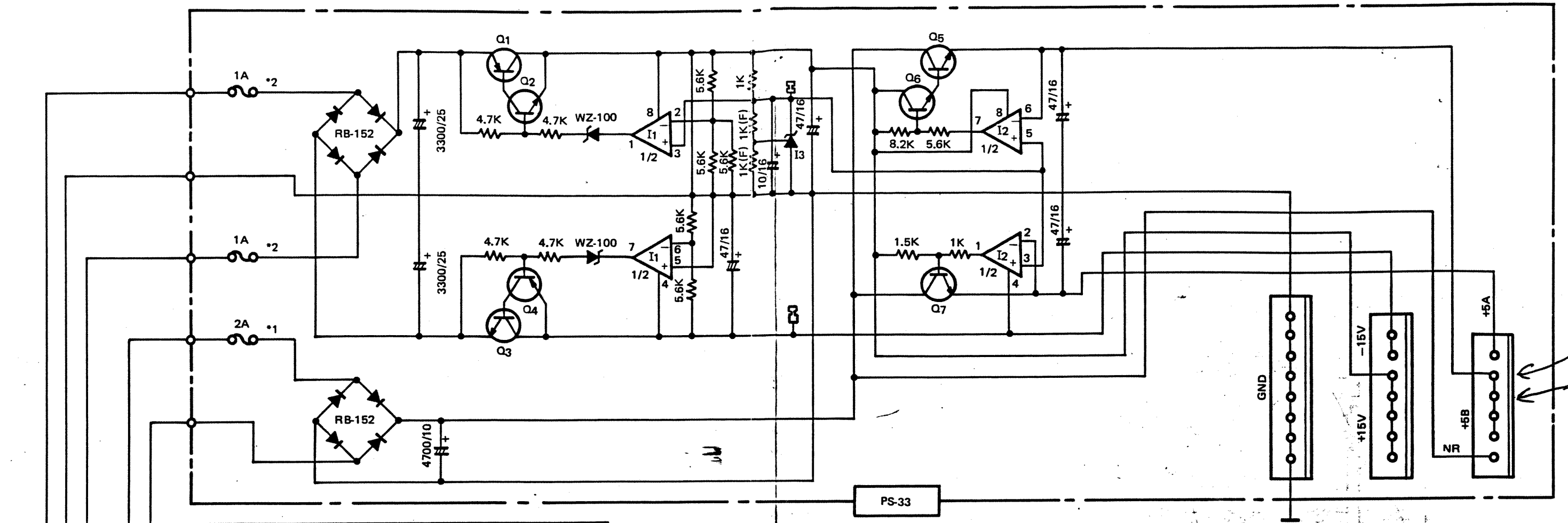


- Notes —
1. Unless otherwise specified, all diodes (D1-28) are Part No. 1S2473.
 2. LEDs D29-36 are Part No. SLR-34UR. LEDs D37-56 are Part No. SLR-34GG.
 3. Connecting leads J1-156 are 0.6 mm diameter, lead-plated wires.
 4. SLR-34UR }
SLR-34GG }
-





- Notes —
1. Unless otherwise specified, all diodes (D1-34) are Part No. 1S2473.
 2. LEDs D35-50 are Part No. SLR-34UR.
LEDs D51-68 are Part No. SLR-34GG.
 3. Connecting leads J1-76 are 0.6 mm diameter, lead-plated wires.

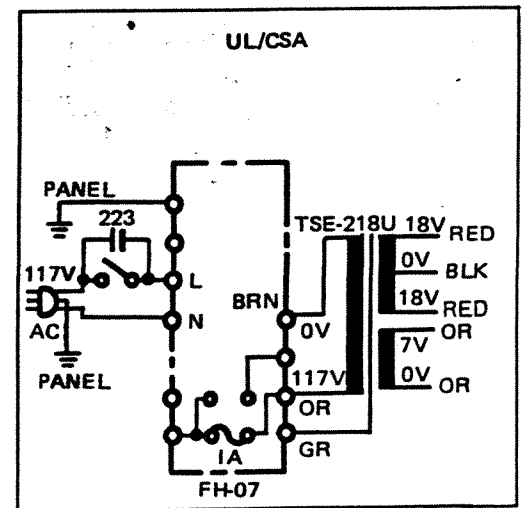
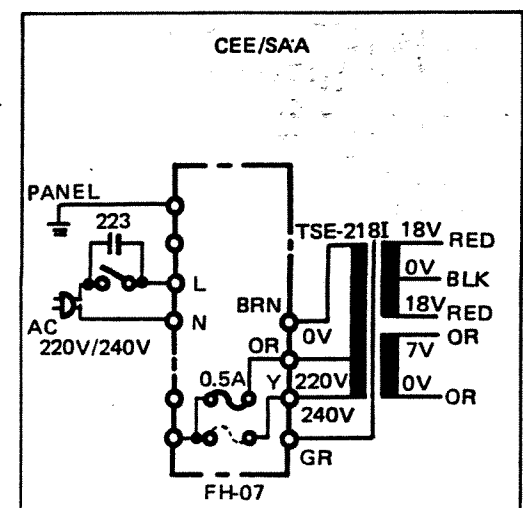
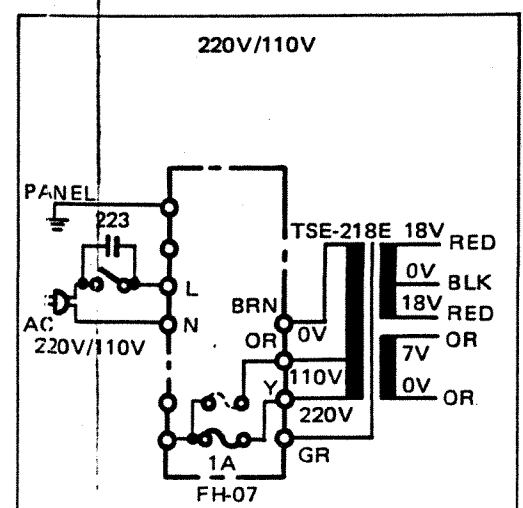
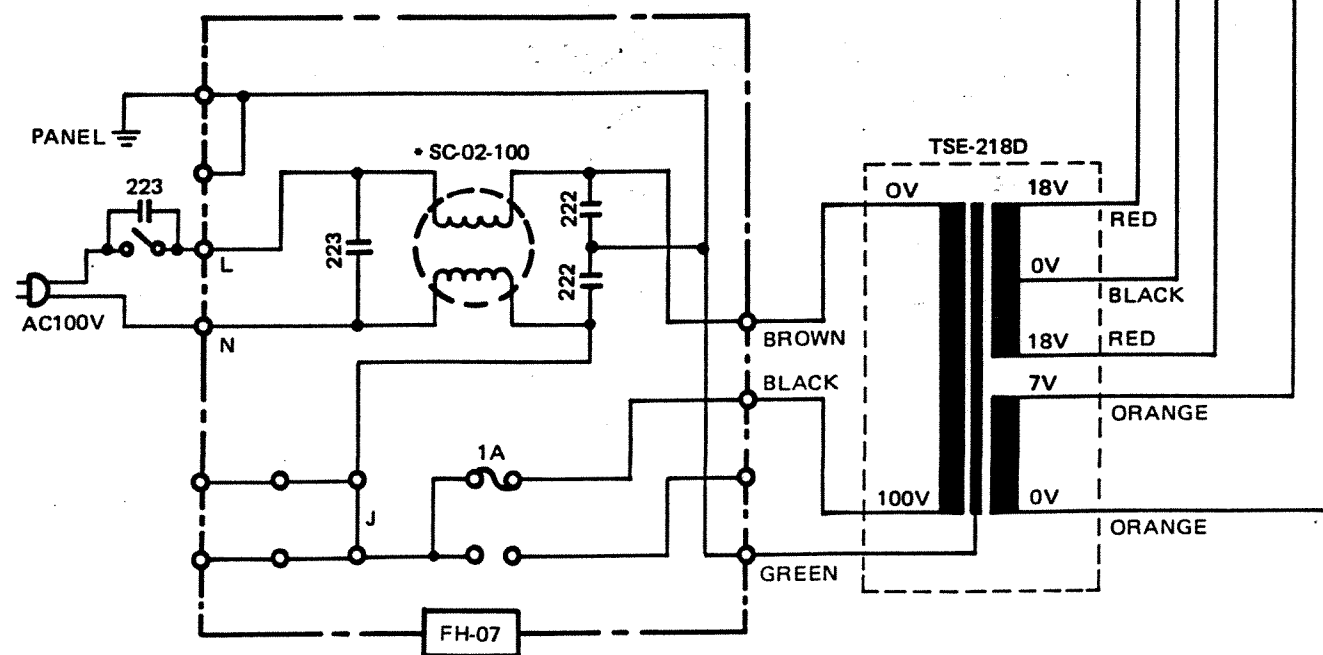


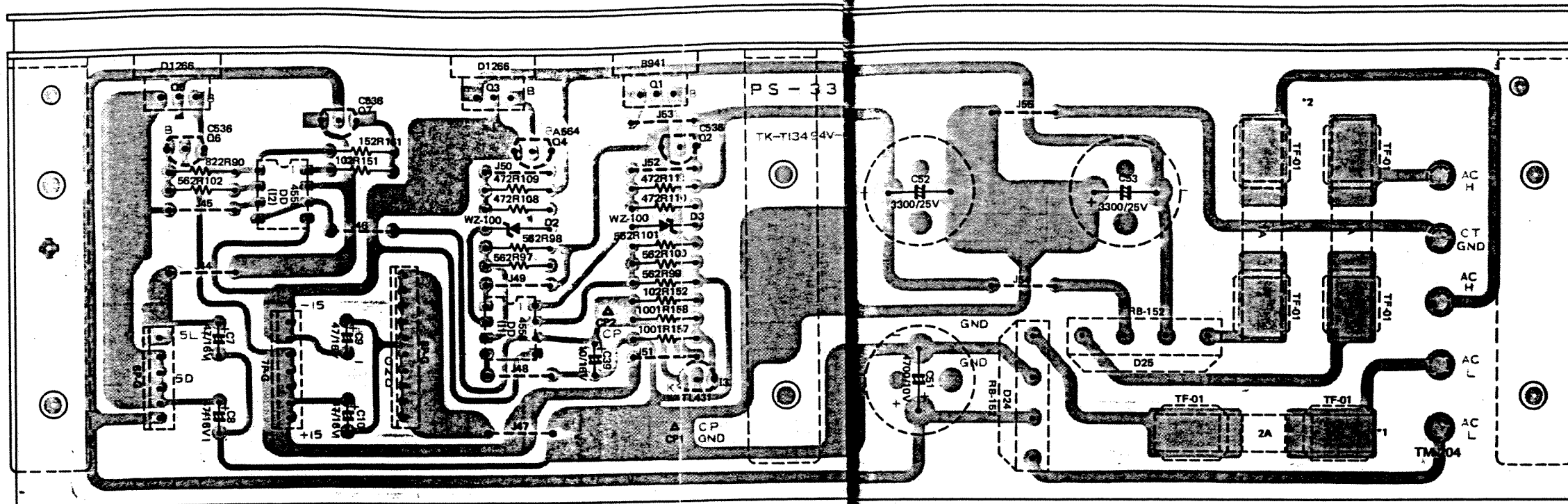
- I₁, I₂ : NJM4558DD
- I₃ : TL431C
- Q₁ : 2SB941Q
- Q₃, Q₄ : 2SD1266Q
- Q₅, Q₆, Q₇ : 2SC536F
- Q₈ : 2SA564R

GND	SYN-43
"	"
"	SYN-42
"	SYN-44
"	SYN-45
"	"
"	"
"	PANEL

-15V	SYN-43
"	SYN-44
+15V	
"	
"	SYN-44
"	SYN-42
"	SYN-43

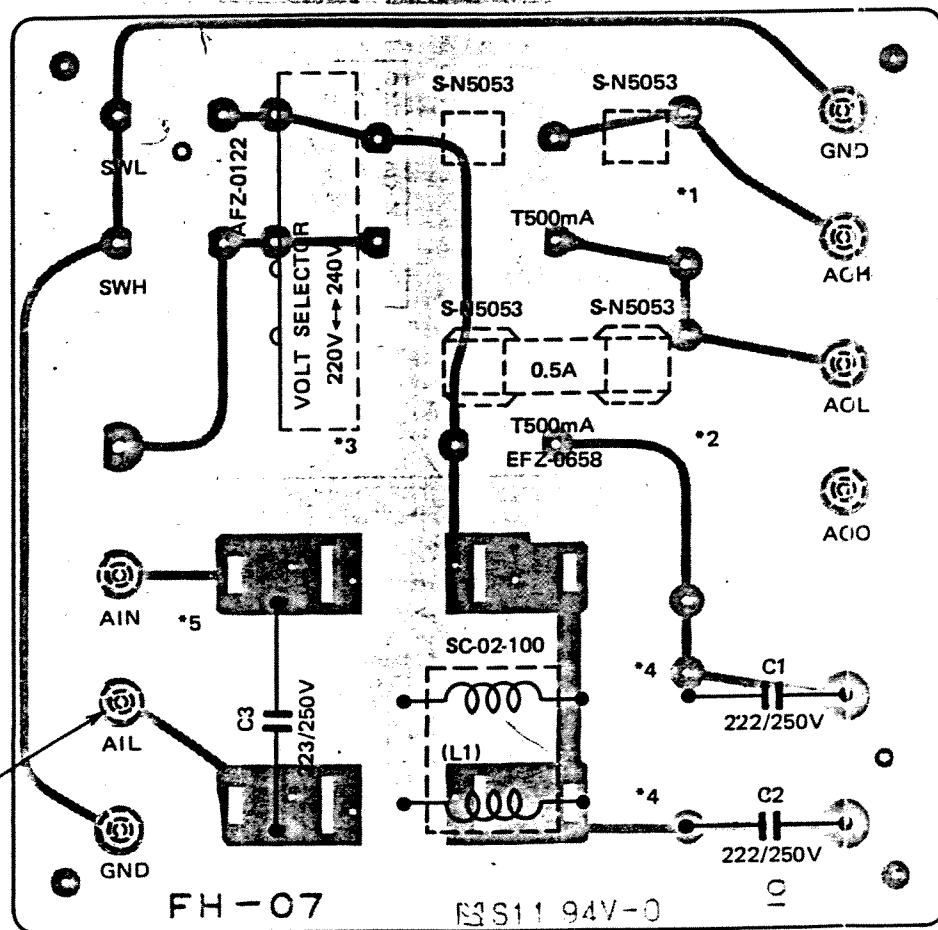
+5A	SYN-43
+5B	
"	
"	SYN-45
"	SYN-42
NR	SYN-42





- Note -
Resistors R157-158 are metal-clad.

Yellow wires
current draw
620ma
microproc
290ma
to front panel

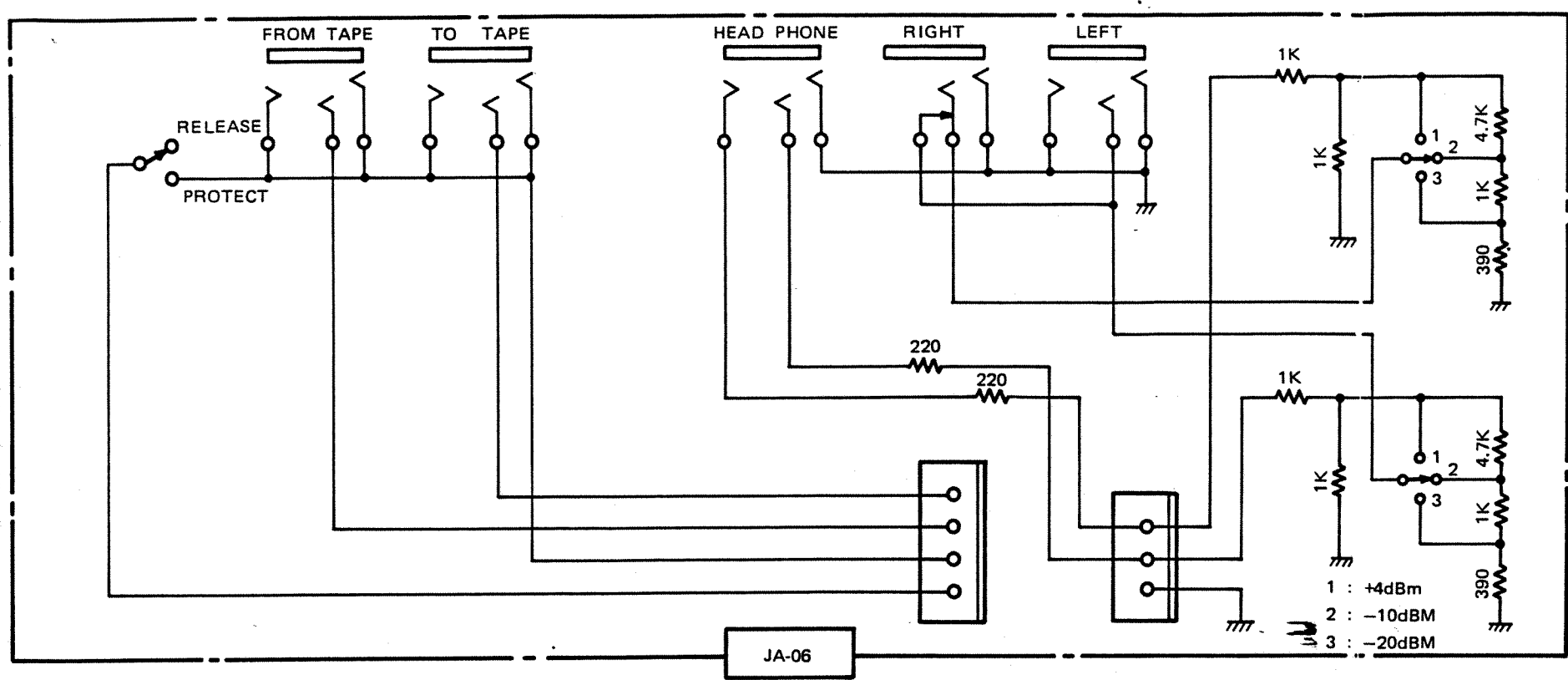


PS-33

Item	*1	*2
Market	Fuse	Fuse
CEE SAA	2A (5mm x 20mm)	1A (5mm x 20mm)
USA CSA	2A (6mm x 31mm)	1.5A (6mm x 31mm)
OTHERS	2A (6mm x 31mm)	1A (6mm x 31mm)

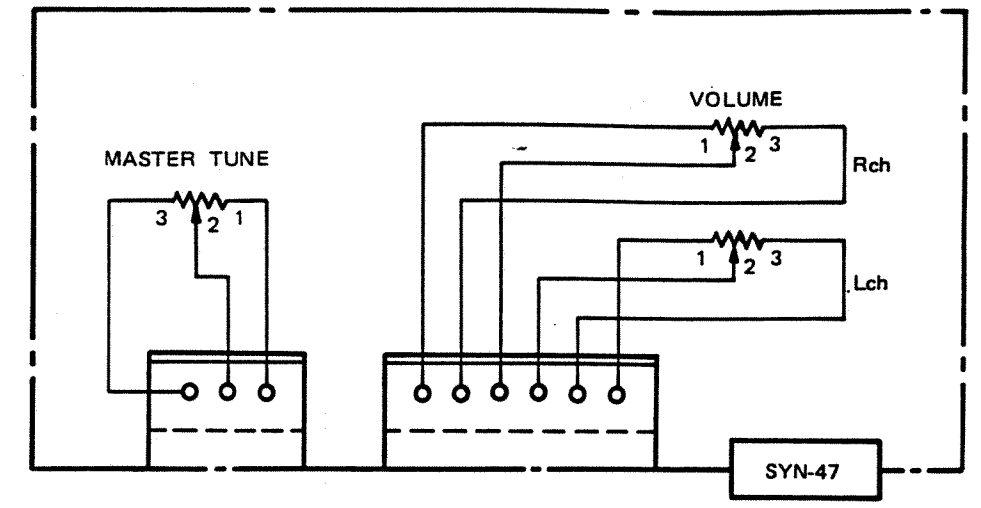
FH-07

Item	*1	*2	*3	*4	*5
Market	Fuse	Fuse	Seal	Condenser	Condenser
SAA	Not Use	0.5A (5mm x 20mm)	VOLT SELECTOR 220V ↔ 240V	222/250V (MP Condenser)	223/250V (MP Condenser)
NE·SE·CEE			Not Use		
USA	Seal	1.5A (6mm x 31mm)		222/125V	223/125V
CSA	Not Use				
JAPAN		1.25A (6mm x 31mm)		222/1000V	223/1000V
OTHERS	1A	Not Use	VOLT SELECTOR 220V ↔ 240V		



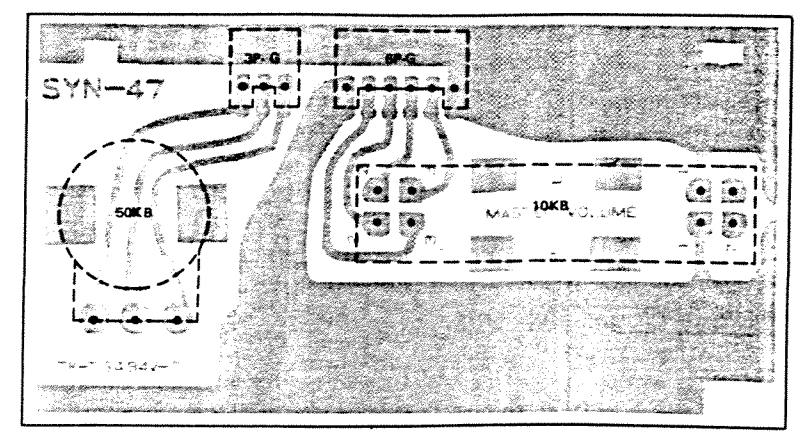
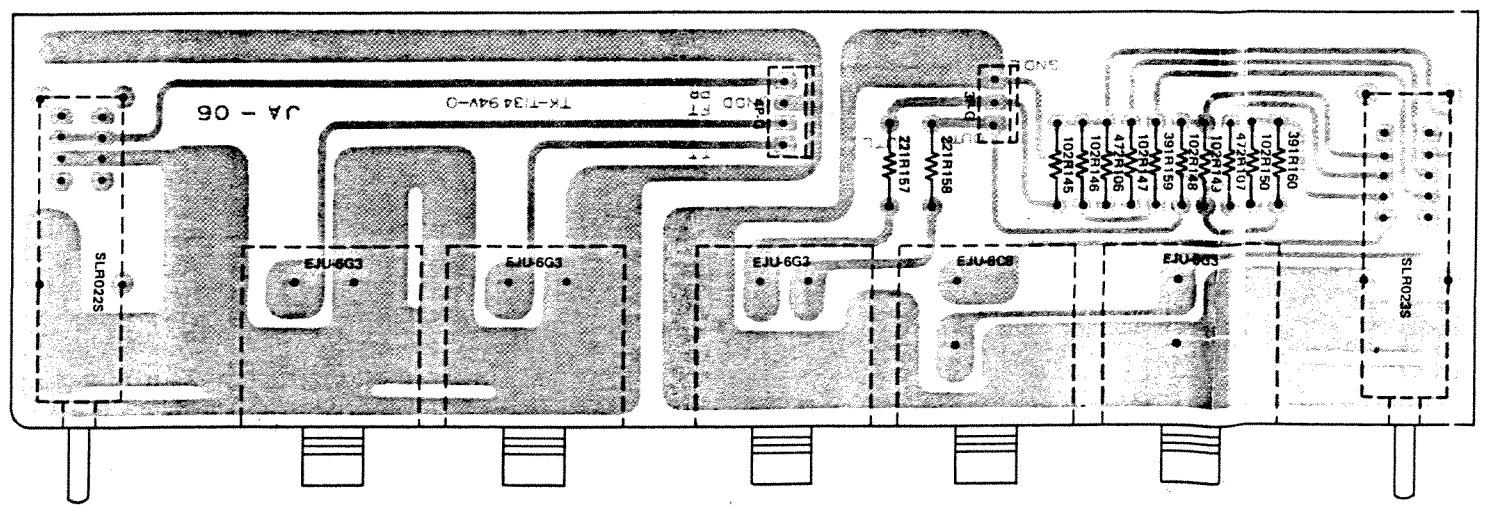
TT	SYN-42
FT	SYN-42
GND D	SYN-42
PR	SYN-45

OUT R	SYN-44
OUT L	SYN-44
GND L	SYN-44



GND	MST	+15
SYN	SYN	SYN
44	44	44
27	27	27

GND	VOL	VOL	VOL	VOL	GND
SYN	SYN	SYN	SYN	SYN	SYN
44	44	44	44	44	44
27	27	27	27	27	27



8031 SINGLE-COMPONENT 8-BIT MICROCOMPUTER

■ 8031-Control Oriented CPU With RAM and I/O

- 4K x 8 ROM/EPROM
- 128 x 8 RAM
- Four 8-Bit Ports, 32 I/O Lines
- Two 16-Bit Timer/Event Counters
- High-Performance Full-Duplex
- Serial Channel
- External Memory Expandable to 128K
- Compatible with MCS-80 /MCS-85 Peripherals
- Boolean Processor
- MCS-48 Architecture Enhanced with:
 - Non-Paged Jumps
 - Direct Addressing
 - Four 8-Register Banks
 - Stack Depth Up to 128-Bytes
 - Multiply, Divide, Subtract, Compare
- Most Instructions Execute in 1 μ s
- 4 μ s Multiply and Divide

The Intel 8031/8051/8751 is a stand-alone, high-performance single-chip computer fabricated with Intel's highly-reliable +5 Volt, depletion-load, N-Channel, silicon-gate HMOS technology and packaged in a 40-pin DIP. It provides the hardware features, architectural enhancements and new instructions that are necessary to make it a powerful and cost effective controller for applications requiring up to 64K bytes of program memory and/or up to 64K bytes of data storage.

The 8051/8751 contains a non-volatile 4K x 8 read-only program memory; a volatile 128 x 8 read/write data memory; 32 I/O lines; two 16-bit timer/counters; a five-source, two-priority-level, nested interrupt structure; a serial I/O port for either multi-processor communications, I/O expansion, or full duplex UART; and on-chip oscillator and clock circuits. The 8031 is identical, except that it lacks the program memory. For systems that require extra capability, the 8051 can be expanded using standard TTL compatible memories and the byte oriented MCS-80 and MCS-85 peripherals.

The 8051 microcomputer, like its 8048 predecessor, is efficient both as a controller and as an arithmetic processor. The 8051 has extensive facilities for binary and BCD arithmetic and excels in bit-handling capabilities. Efficient use of program memory results from an instruction set consisting of 44% one-byte, 41% two-byte, and 15% three-byte instructions. With a 12 MHz crystal, 58% of the instructions execute in 1 μ s, 40% in 2 μ s and multiply and divide require only 4 μ s. Among the many instructions added to the standard 8048 instruction set are multiply, divide, subtract and compare.

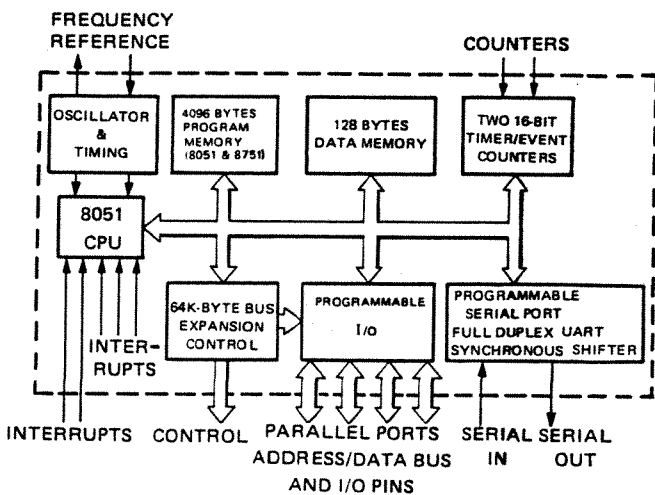


Figure 1.
Block Diagram

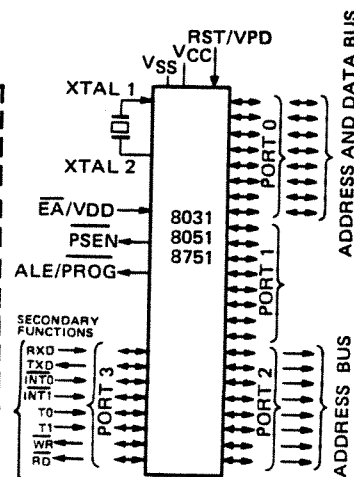


Figure 2.
Logic Symbol

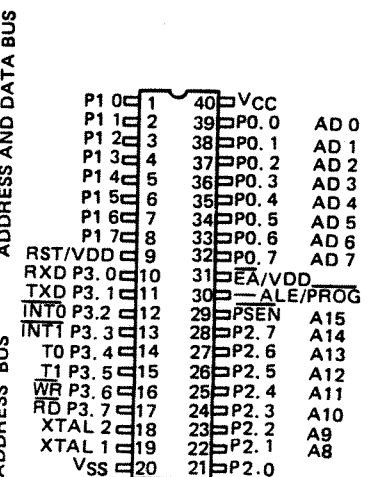
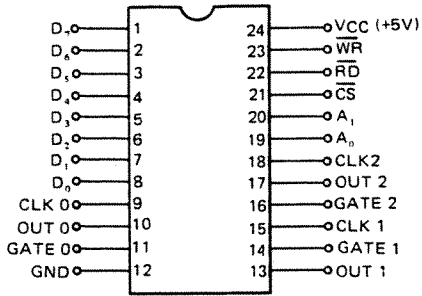
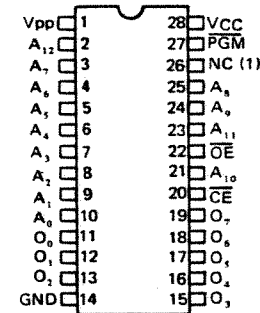


Figure 3.
Pin Configuration

■ I.C. INFORMATION

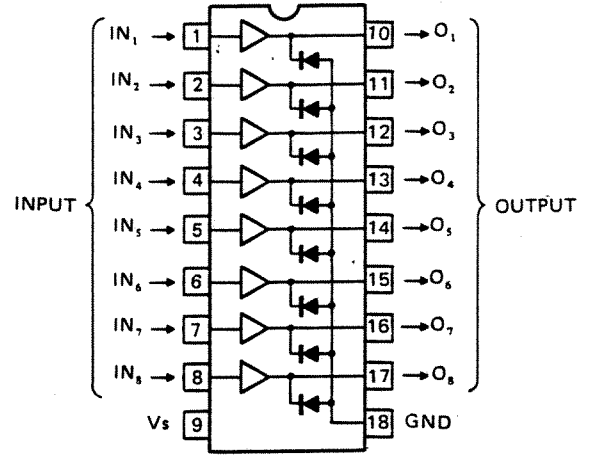


D₀ ~ D₇ : Data Bus (8 bit) \overline{WR} : Write Command or Date
 CLK N : Counter Clock Inputs CS : Chip Select
 GATE N : Counter Gate Inputs A₀ ~ A₂ : Counter Select
 OUT N : Counter Output
 \overline{RD} : Read Counter



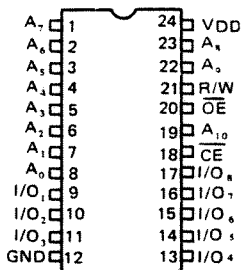
(1) For total compatibility and upgradability from the 2732A and ROMs provide a trace to pin 26.

2764
(8K x 8) UV ERASABLE PROM

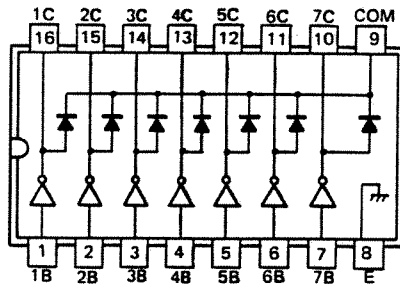


M54563P
8-UNIT 500mA SOURCE TYPE
DARLINGTON TRANSISTOR ARRAY

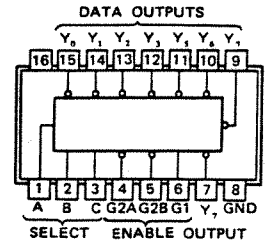
μPD8253C-5
PROGRAMABLE INTERVAL TIMER



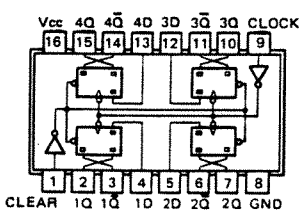
TC5517AP
(2048 x 8)
CMOS STATIC RAM
(or MSM 5128-15RS)
(or MB 8417A-15)



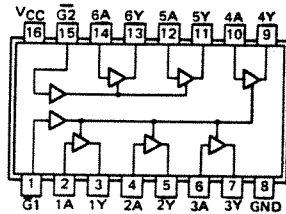
ULN2003A
DARLINGTON TRANSISTOR ARRAYS



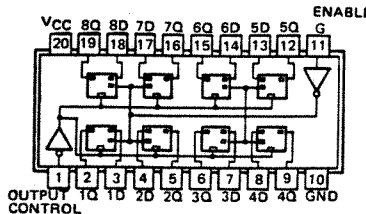
SN74LS138
3-TO 8-LINE DECODERS/MULTIPLEXERS



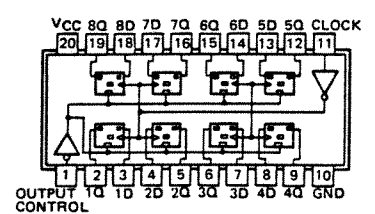
SN74LS175
QUAD D-TYPE FLIP-FLOPS



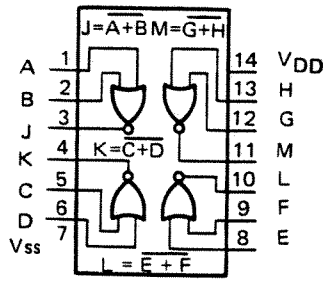
SN74LS367
HEX BUS DRIVERS



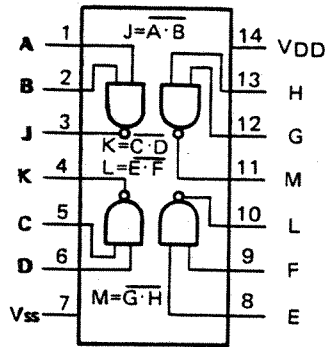
SN74LS373
OCTAL D-TYPE LATCHES



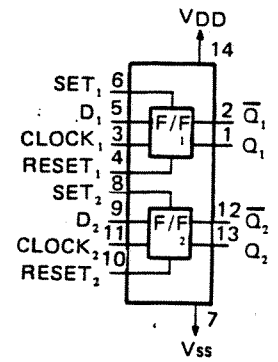
SN74LS374
OCTAL D-TYPE FLIP-FLOPS



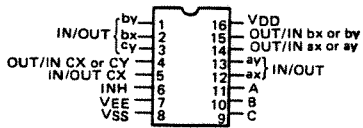
CD4001B
QUAD 2-INPUT NOR GATES



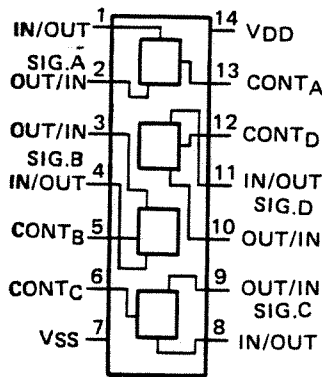
CD4011B
QUAD 2-INPUT NAND GATE



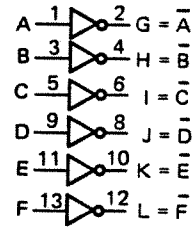
CD4013B
DUAL D-TYPE FLIP-FLOP



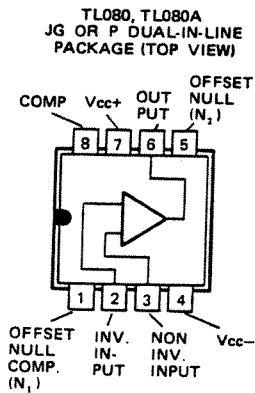
CD4053B
TRIPLE 2-CHANNEL
MULTIPLEXERS



CD4066B
QUAD BILATERAL SWITCH

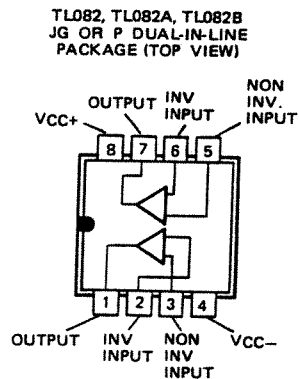


CD4069UB
HEX INVERTER

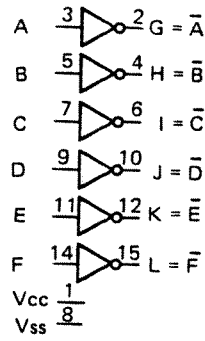


TL080

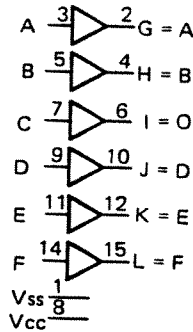
JFET-INPUT OPERATIONAL AMPLIFIERS



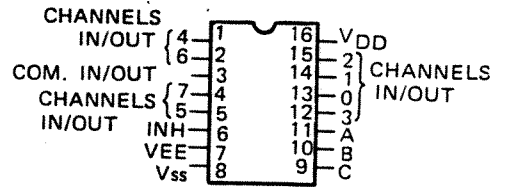
TL082



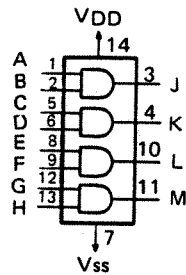
CD4049UB
HEX INVERTING BUFFERS



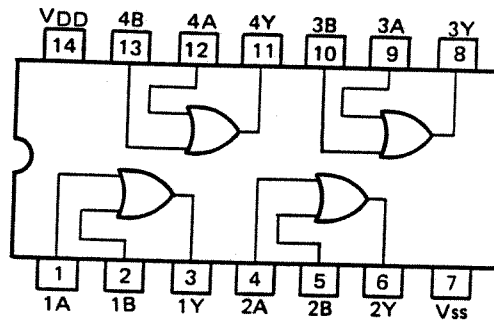
CD4050B
HEX NON-INVERTING
BUFFERS



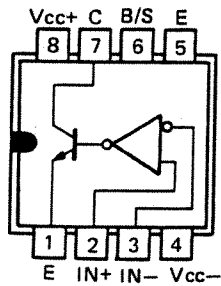
CD4051B
SINGLE 8-CHANNEL
MULTIPLEXERS



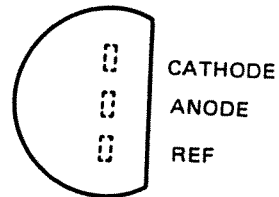
CD4081B
QUAD 2-INPUTS AND GATE



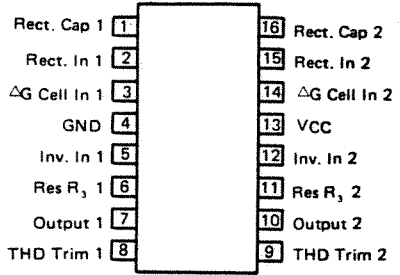
TC40H032
QUAD 2-INPUT OR GATE



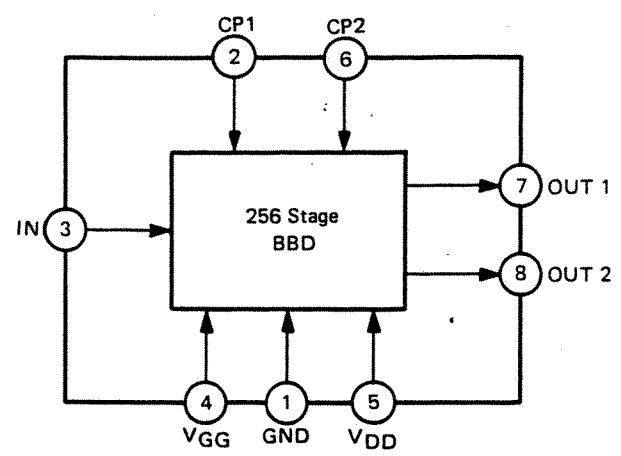
TL311
JFET-INPUT DIFFERENTIAL
COMPARATOR WITH STOREBE



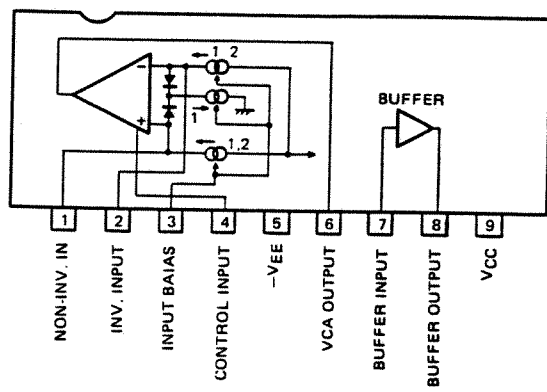
TL431
ADJUSTABLE PRECISION
SHUNT REGULATOR



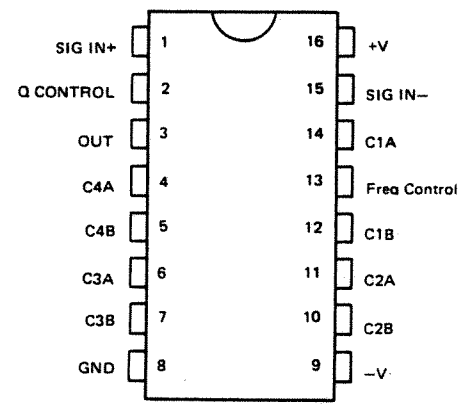
NE571N
COMPANDOR



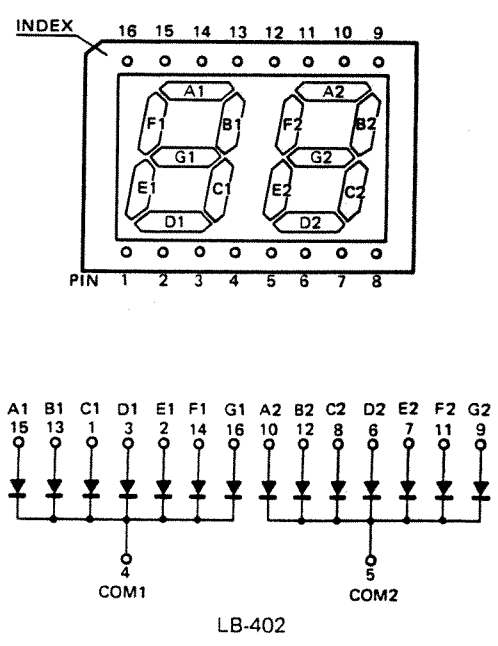
MN3009
256-STAGE BBD



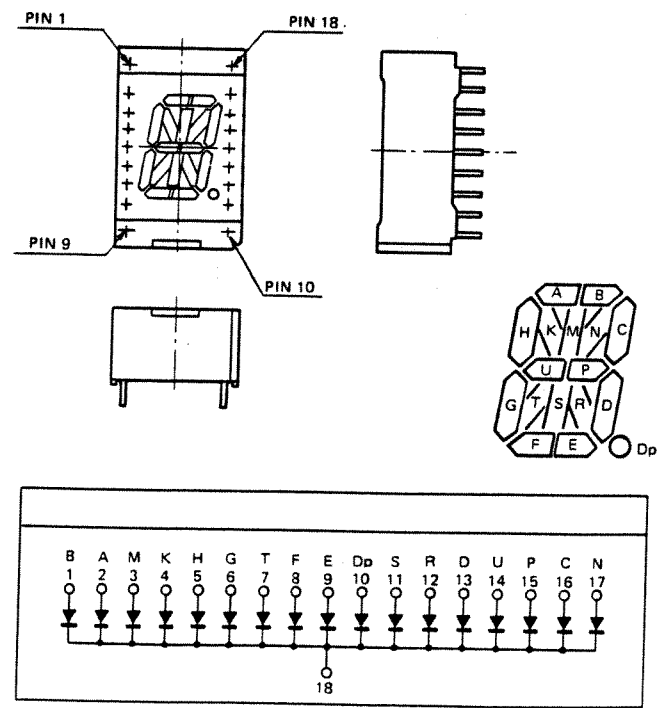
BA6110 V.C.A.



SSM 2044
4 POLE VOLTAGE CONTROLLED FILTER



LB-402



TLR-370

■ CIRCUIT FUNCTIONS

1. SAMPLE & HOLD (SYN-43 CIRCUIT DIAGRAM (1/2))

Components I11–I14 (Part No. CD4051BE) are multiplexers which distribute the SYN-42 digital-analog converter time sharing data.

The transistors Q_1 and Q_2 form an antilog circuit which converts a linear input into a logarithmic output. The component 1/2 I2 (Part No. TL082) then converts the output current value into a voltage, which is negative.

A zener diode supplies a $-10V$ power supply at pin 7 of I11.

Also attached to pin 3 on the I11 component is a WZ-081 component which serves to protect the integrated circuit.

The 1/2 I2 (Part No. TL082) circuit below the antilog circuit is an adjustable temperature compensation amplifier. Its primary function is to compensate for the differences in resistance produced by temperature changes.

Further down is the KCV amplifier built around the component I3 (Part No. BA6110). Even when the KCV LEVEL is zero, pin 1 outputs the time sharing information from this component to the channels. The component is current-regulated through pin 4 so it has a transistor (Q_3) which converts voltage into a current. The base voltage has sufficient bias to ensure that the input-output characteristics are linear even when the emitter voltage (the input) is in the vicinity of zero.

The input to I13 (Part No. CD4051BE) comes directly from the digital-analog converter so is not temperature-dependent.

The SAMPLE & HOLD output from pin 13 passes through a low pass filter made up of a 1-kOHM resistance, a 1 uF capacitance, and a 1/2 I107 (Part No. NJM4558). This filter smooths out pulse width modulation (PWM) waveforms with high low frequency oscillator (LFO) frequencies to eliminate noise.

The VCF CUTOFF and low frequency oscillator (LFO) outputs from the I14 multiplexer (pins 13 and 14, respectively) are mixed to yield a single output FLFO.

The two diodes attached to pin 12 on the I14 multiplexer are to prevent the envelope generator from oscillating when the sustain level becomes negative.

The output from the component I10 (Part No. CD4050 BE) is not linear, but digital, alternating between 0 and 5V. Since the CMOS IC has a high input impedance, this output acts as a latch.

2. NOISE GENERATOR (SYN-43 CIRCUIT DIAGRAM (1/2))

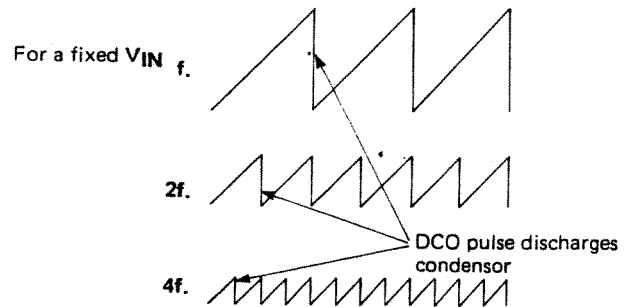
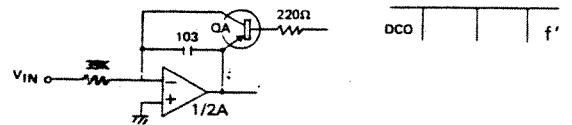
This circuit uses two 1/2 I28 (Part No. TL082) components to amplify, in two stages, the noise generated by applying a reverse bias between the base and emitter of the transistor Q8.

3. SAWTOOTH GENERATOR (SYN-43 CIRCUIT DIAGRAM (2/2))

As mentioned earlier, the input voltage (V_{in} in the accompanying Figure) applied to the 39 kOHM resistor is negative. This means that the operational amplifier (OP AMP) output rises at a rate proportional to this voltage value.

Each time a pulse from the 16-bit DCO PULSE GENERATOR (Part No. 8253) on circuit board SYN-42 reaches the base of transistor QA, it short-circuits the collector and emitter so that the condenser discharges and the operational amplifier (OP AMP) outputs starts rising from 0V once more. (see Figure 1)

Two 10 kOHM resistors divide this output in half for output to the ANALOG SWITCH (1/4C: Part No. CD4066). This terminal is also clamped through a diode to the voltage output from the 1/2 I1 (Part No. NJM4558). This clamping not only protects the ANALOG SWITCH but also blocks large amplitude waveforms formed when the frequency suddenly changes, producing a phase difference between the outputs of the timer and the SAMPLE & HOLD circuit.



For a fixed V_{in} , the slope remains constant. As a result, the amplitude decreases in inverse proportion to the relative frequency. Therefore, V_{in} is made proportional to the frequency.

<Figure 1>

4. PULSE WIDTH AND SUB OSC (SYN-43 CIRCUIT DIAGRAM (2/2))

The other 1/2 A (Part No. NJM4558) is a comparator. The sawtooth waveform from its noninverting (NON INV) terminal and the SAMPLE & HOLD output from its INV terminal are combined to produce the pulse width modulation (PWM) output. This output in the range $\pm 15V$ is reduced with 240 kOHM resistor. The S/H (PW) output is divided with a 39 kOHM and 47 kOHM resistor. This output provides a bias so that the PMW output has the same mean value for all values of PULSE WIDTH.

The component 1/2 B (Part No. 4013BE) is a frequency divider which outputs a square wave with a frequency half that of the digitally controlled oscillator (DCO). The integrating circuit between the oscillator and this component (made up of a 100 kOHM resistor, a diode, and condenser #101) uses the base capacity of the transistor QA to assure correct operation.

5. VOLTAGE CONTROLLED FILTER (VCF) (SYN-43 CIRCUIT DIAGRAM (2/2))

Central to the VCF circuit is the ID component (Part No. SSM2044).

Pins 1 and 15 are for the noninverting (NON INV) and INV inputs, respectively. Both inputs are grounded through 470-ohm resistors to provide bias.

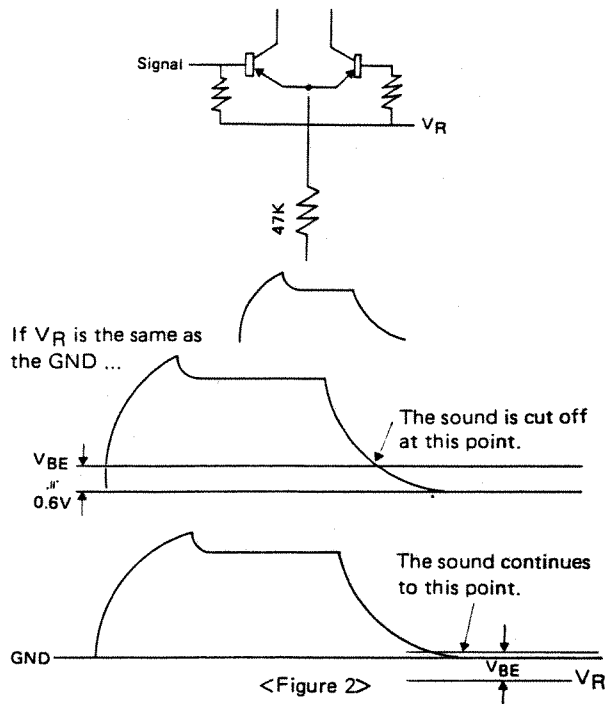
Pins 2 and 13 control the RESONANCE and CUTOFF frequencies, respectively. These inputs can be linear because the ID component incorporates linear-antilog converters. The cutoff frequency changes approximately 10 octaves for every 1V change in the output of the 1/2 E (Part No. NJM4558), a component which simultaneously mixes the outputs of the SAMPLE & HOLD CUTOFF, SAMPLE & HOLD KEY CONTROLLED VOLTAGE (KCV), and VCF envelope generator and reverses the polarity of the output waveform.

The output from ID component (pin 3) is a current. A second 1/2 E (Part No. NJM4558) converts this into a voltage supplied to the check pin of each channel.

6. CHANNEL VCA (SYN-43 CIRCUIT DIAGRAM (2/2))

The CH voltage controlled amplifier (VCA) circuit uses a transistor QB (Part No.2SA798) with a common emitter to form a differential amplifier. The emitter's regulating current is the output from the VCA envelope generator. The 1/2 I25 component and the two 1/2 I26 components mix the outputs from the channels, convert the current differential output into a voltage input for the variable input amplifier.

The remaining 1/2 I25 component provides, through a 220 OHM resistor, a bias to the base of the QB transistor QB. This bias serves the same function as that applied with a diode to the transistor controlling the component I3 (Part No.BA6110) discussed in SECTION 1. SAMPLE & HOLD; it keeps the sound from disappearing as the QB emitter voltage approaches 0V. (see Figure 2) The net result is clear aftereffects for tones such as PIANO.



7. HIGH PASS FILTER (HPF) AND TOTAL VCA CIRCUITS (SYN-43 CIRCUIT DIAGRAM (2/2))

These two circuits represent variations on the KCV portion of the I3 (Part No.BA6110) circuit discussed in SECTION 1. SAMPLE & HOLD. The only differences are that, in the HPF circuit, the I24 (Part No.BA6110) component's condenser input is connected to what is normally the current output and the buffered output is fed back into the noninverting (NON INV) input.

8. ENVELOPE GENERATORS (SYN-43 CIRCUIT DIAGRAM (2/2))

Note: The two generators are identical so we shall limit our description to the VCF one.

The normal voltage after no key has been played for some time is 0V at the points P₁ & P₂ in Figure 3 (at the outputs of the component 1/2 G and after the diode attached to the output of the component 1/2 F (Part No. NJM4558)). The circuit's negative logic relies on a normal voltage of 15V for the KEYING SIGNAL from SYN-42.

8.1 ATTACK

When a key is pressed, the leading edge of the voltage drop in the KEYING SIGNAL passes through the condenser (Part No.103) to feed a negative pulse to the INV terminal of the component 1/2 F. On the NON INV ter-

minal, there is only a slight negative balance so the output inverts to +15V. The voltage at point P₂ also becomes 15V short circuiting the component GE1 and putting point P₁ at the EG LEVEL.

On the other side of the circuit, the AND GATE (a) passes the ATTACK CLOCK signal to trigger the component GE2 and hence start the condenser 104 charging toward the EG LEVEL.

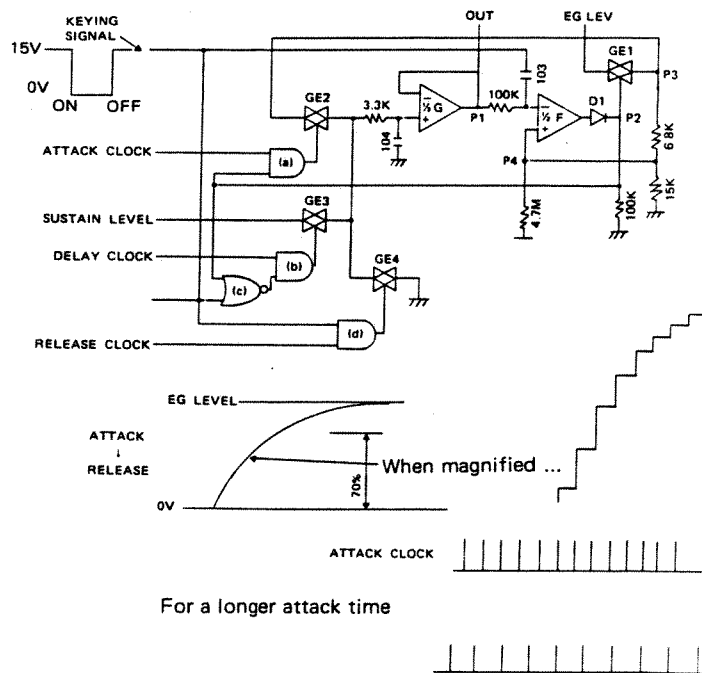
8.2 DECAY OR SUSTAIN

The voltage at P₄ is approximately 70% [= 15/(6.8 - 15)] that at P₃, the EG LEVEL. When the 1/2 G output (at point P₁) reaches this voltage level, the component 1/2 F inverts once again to produce a level of 0V at point P₂. The component GE1 opens to return the point P₄ to its previous state.

This voltage drop changes the output of the AND GATE (a) to LOW, but results in a HIGH output from the combination of the AND and NOR gates (b) & (c). In conjunction with the DECAY CLOCK, this output closes the component GE3 to bleed the charge from the condenser (Part No.104) to the SUSTAIN LEVEL.

8.3 RELEASE

When the key is released, the KEYING SIGNAL returns to 15V, the level which produces a LOW output from the NOR gate (c). The NAD gate (d) combines the KEYING SIGNAL with the RELEASE CLOCK to close the component GE4 and divert the condenser's remaining charge from the SUSTAIN LEVEL to the circuit GND.



9. MICROCOMPUTER (SYN-42)

The core of the microcomputer is the component I23, the central processing unit (CPU), a 8051-series 8-bit micro-processor. The pins 00–07 (AD0–AD7) output the multiplexed data and lower half of the address to the DATA and ADDRESS BUSes, while the next eight pins (20–27) output the upper half of the address (A8–A14). The component I20 separates out the lower half of the address (A0–A7) from the multiplexed data (AD0–AD7).

9.1 PROGRAM

The SX-210 program is stored in the component I16 (Part No.2764), an 8-kilobyte erasable programmable read-only memory (EPROM). The CPU follows the instruction steps contained in this program.

9.2 STORAGE

The computer's 2 kilobytes of main storage is located in the component I12 (Part No.5517). This battery-protected ROM [?] acts primarily as the TONE MEMORY, but also serves as a work area for the CPU.

9.3 DIGITAL-ANALOG CONVERTER

Components I26, I27 (combined in Part No.CD4049), and I29 (Part No.TL082), together with the ladder network built up of 10 kOHM and 20 kOHM resistors, form a 10-bit digital-analog converter which outputs, on a time-shared basis, the voltage outputs from the CPU's output port (pins 10–17). This output is used primarily as the voltage output of the SAMPLE & HOLD function. It is also fed into the component I28 (Part No.TL080) to form an 8-bit analog-digital converter for the PITCH BENDER circuits.

9.4 500 Hz OSCILLATOR

The two inverter gates (I18) form a 500 Hz oscillator, the output of which is connected to one of the CPU's interrupt terminals (pin 33) to flash all the LEDs on the SX-210 panel.

9.5 480 kHz OSCILLATOR

The other oscillator in the component I18 provides the components I4 and I5 (both Part No.8253(2M)) with the master clock signal for the envelope generators.

9.6 MASTER OSCILLATOR

The circuit containing the transistors Q1 and Q3 generates the master frequency (approximately 4 MHz) for building sounds.

9.7 DCO PULSE GENERATOR

Together, the components I1, I2 and I3 (Part Nos.8253 (2M)/(4M)) generate the DCO PULSE from data supplied by the CPU. The pulse outputs (DC0–DC7) are then fed into the SAWTOOTH GENERATOR on circuit board SYN-43.

9.8 SHIFT CIRCUITS

The components I7 and I8 (both Part No.ULN2003AV) shift the input voltages—EG PULSE and KEYING SIGNAL, respectively—from 0 vs. +5V to 0 vs. +15V.

9.9 PULSE INPUT PORTS

The components I10 and I14 (both Part No.LS367) are input ports for the pulses returning from the KEYBOARD, PANEL, and INCREMENTER.

9.10 KEY SCAN

The component I17 (Part No.LS138) generates the SCANNING PULSES sent to the keyboard. Pulses returning from the keyboard signal the program to generate a sound.

9.11 DELAY CIRCUIT

The eight elements of the components I21 and I22 (Part Nos. CD4001 and CD4011, respectively) form a monostable vibrator which momentarily blocks the output and thus eliminates shock noise when changing tones.

9.12 CASSETTE INTERFACE

The component I25 (Part No.TL211) is an amplifier which converts data from the cassette player into the digital form.

9.13 CASSETTE INTERFACE

The transistors Q2 and Q4 (Part Nos. A564 and C536) cut in the battery to protect the contents of the TONE MEMORY when the power supply is turned off.

10. PROGRAM

10.1 SOUND GENERATION

The first stage of the program is a KEY SCAN. The component I17 (Part No.LS138) sends out eight consecutive pulses to each group of eight keys in order from the lower end of the keyboard through the circuits marked KS0–KS7.

Note: KS7 is attached to only five keys so the component sends only five pulses.

If none of the keys are depressed, none of these pulses return to the components I10 and I14 (both Part No. LS367). The microprocessor repeats the scan until receives such a pulse.

When, however, a key is pressed, the returning pulse signals the processor to compute, from the pulse timing, which key has been pressed. The relevant frequency data for that key then goes to an open channel selected from the 8 provided by the components I1, I2 and I3 (Part No.8253). It is the channel which outputs the actual frequency. At the same time, the computer directs the component I8 (Part No.ULN2003AV) to start issuing the KEYING SIGNAL for the channel so that the circuit board SYN-43 can generate the sound.

10.2 REGENERATING THE SAMPLE & HOLD DATA

The SAMPLE & HOLD circuit forms the interface between the digital circuits of the microcomputer and the analog circuits generating the sound output. The program sets the 31 condensers in the SAVE & HOLD circuit by inputting the data stored in digital form in the EPROM I26 (Part No.2764) and outputting it sequentially, on a time-shared basis, through the digital-analog converter made up of the components I26 and I27 (combined into Part No. CD4049). However, with the passage of time, the charge on the condensers fades. Therefore, the computer must repeat this process at regular intervals to regenerate the data.

Note that this data differs for each tone. When the tone is changed, the computer completely replaces all data in the SAMPLE & HOLD condensers.

10.3 INCREMENT

The INCREMENT knob on the panel, as is readily evident from the SYN-45 circuit diagram, is connected to only two switches. The position of this knob determines the relative timing with which these two switches turn on. The component I14 then outputs this parameter to the computer.

If the increment knob is off the mid-position, this parameter is non-zero so the computer adjusts the output to the synthesizer. The change in parameter then produces a change in tone.

10.4 PITCH BENDER

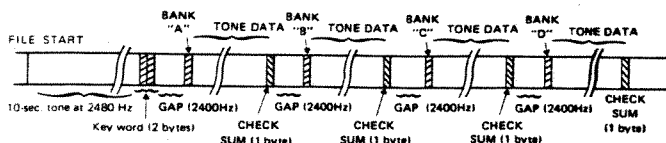
The PITCH BENDER is connected to a self-restoring rotating rheostat. The analog-digital converter—made up of the component I28 (Part No.TL080), the ladder network of 10- and 20-kOHM resistors, and components I26 and I27 (combined into Part No.CD049)—changes the electrical analogue of the rheostat position to a digital input for the computer. This converter is programmed for sequential comparisons. The computer, once it has this information, calculates the proper frequency to be added to the waveforms of each channel.

10.5 PANEL SCAN

The PANEL SCAN is essentially the same as the KEYBOARD SCAN and immediately follows it. The only difference is that only one switch can be pressed at a time. When one of the panel switches is pressed, the computer immediately alters the corresponding section of the program flow. Otherwise, it simply proceeds with the current flow.

10.6 TAPE INTERFACE

The hardware component of the tape interface consists of only the circuitry centered on component I25. The bulk of the formatting is handled by the computer program.



The data transfer itself only takes about 20 seconds.

11. INTERRUPTS

The SX-210 uses three different types of interrupts. In order of decreasing precedence, they are:

11.1 LED INTERRUPT

All LEDs on the panel flash at the frequency of 500 Hz provided by the oscillator in component I18. This interrupt keeps the LED from flickering.

11.2 PORTAMENTO/GLISSANDO INTERRUPT

This interrupt occurs only for PORTAMENTO/GLISSANDO notes. This interrupt uses the CPU's internal timer so it can occur at frequencies of up to 5 kHz.

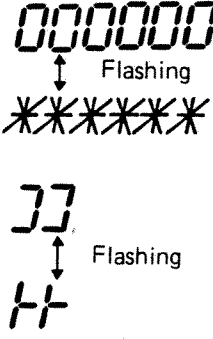
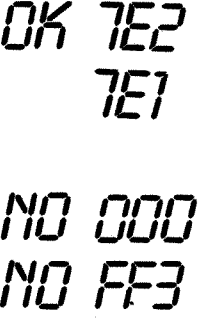
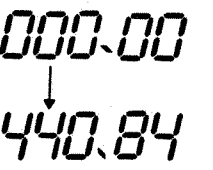
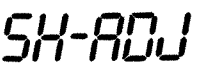

11.3 LOW FREQUENCY OSCILLATOR (LFO) INTERRUPT

The low frequency oscillator function is handled entirely with interrupts. The only physical correlate is the output terminal to the SAMPLE & HOLD circuit.

This interrupt, too, uses the CPU's internal timer, but the frequency is controlled by the LFO SPEED setting. The maximum frequency is 300 Hz.

Processing affected includes DELAY, VIBRATO, PITCH BENDER, VCF MODULATION, VCA MODULATION and EG TRIGGER. There are two LFO outputs: VCF MODULATION and VCA MODULATION (S/H).

ADJUSTMENTS

Adjustment	Voice Identifier	Procedure
<p>1. Panel check</p>		<ol style="list-style-type: none"> 1. Holding down the lowest C-major chord (C6-E5-G5), switch on the power. 2. Hold the chord for 1 or 2 seconds and then release. 3. All LEDs should start flashing. 4. Press each switch on the panel. 5. The corresponding LED should stop flashing. 6. If the MEMORY PROTECT switch on the rear panel is in the PROTECT position, the LED in the MEMORY WRITE switch will keep flashing even when it is pressed. 7. When the LEDs for all the switches are out, the diagnostic routine will automatically proceed to STEP 2: PITCH BEND. 8. To bypass any or all of the panel check, press the C6 key once. - Use the same key to signal the end of steps 2-4.
<p>2. PITCH BEND adjustment</p>		<ol style="list-style-type: none"> 1. Turn the PITCH BEND adjuster (#1) on the SYN-42 circuit board until the last three digits of the VOICE IDENTIFIER display read either 7E1 or 7E2. 2. Rotate the PITCH BEND lever all the way in both directions. The VOICE IDENTIFIER display should read 000 at the counterclockwise extremity and FF3 at the other. 3. Press the C6 key once to proceed to the next step. (The same applies to steps 3 & 4.)
<p>3. MASTER OSC adjustment</p>		<ol style="list-style-type: none"> 1. Set the MASTER TUNE control in mid-position. 2. Turn the MASTER FINE TUNE adjuster (#2) on the SYN-42 circuit board until the VOICE IDENTIFIER display reads in the range 440.81-440.88. Note: This is the only step requiring a turning screwdriver.
<p>4. TEMPERATURE COEFFICIENT adjustment</p>		<ol style="list-style-type: none"> 1. Turn the TEMPERATURE COEFFICIENT adjuster (#2) on the SYN-43 circuit board until the voltage at check pin #2 is 4.50V. Note: Use a digital voltmeter to measure the voltage.
<p>5. KCV OFFSET adjustment</p>		<ol style="list-style-type: none"> 1. Turn the KCV OFFSET adjuster (#4) on the SYN-43 circuit board until the waveform at check pin #1 is centered on the 0V line. Note: Use the oscilloscope's maximum voltage range. 2. Simultaneously press C6 and F#5 once to proceed to the next step. Note: The diagnostic routine will replace the contents of the 32 tone memory locations with ROM test data so SAVE the current data, if required, on tape before proceeding to the next step.

Adjustment	Voice Identifier	Procedure										
6. VCF OFFSET RESONANCE adjustment	RESON 1 ~ 8	<p>Note: Set the parameters to the follow values:</p> <table border="0"> <tr> <td>VCF CUTOFF</td> <td>50</td> </tr> <tr> <td>RESONANCE</td> <td>98</td> </tr> <tr> <td>MOD (KCV, LFO, EG)</td> <td>0</td> </tr> <tr> <td>KEY</td> <td>all off and C1 (CH.1) only</td> </tr> </table> <ol style="list-style-type: none"> After setting the tone memory switches to A-1, examine the SYN-43 check pin #8 trace on an oscilloscope set to its maximum range. Turn the VCF OFFSET (CH.1) adjuster (#7) until the waveform (or trace) is centered on the 0V line. After turning the VCF RESONANCE LEVEL (CH.1) adjuster (#23) counterclockwise to start the signal, turn it clockwise to the exact level at which the signal stops. Repeat the above procedure for the A-2 through A-8 tone control settings (connecting the oscilloscope to check pins #9 – #15 and using the corresponding of adjusters) to adjust all eight channels. 	VCF CUTOFF	50	RESONANCE	98	MOD (KCV, LFO, EG)	0	KEY	all off and C1 (CH.1) only		
VCF CUTOFF	50											
RESONANCE	98											
MOD (KCV, LFO, EG)	0											
KEY	all off and C1 (CH.1) only											
7. VCF CUTOFF (CH.1) adjustment	CUTOFF 1	<p>Note: Set the parameters to the follow values:</p> <table border="0"> <tr> <td>VCF CUTOFF</td> <td>50</td> </tr> <tr> <td>RESONANCE</td> <td>99</td> </tr> <tr> <td>MOD (KCV, LFO, EG)</td> <td>0</td> </tr> </table> <ol style="list-style-type: none"> After setting the tone memory switches to A-1 and the SUB OSC switch to ON, write into A-1. With the oscilloscope attached to check pin #8 on the SYN-43 circuit board, turn the VCF CUTOFF (CH.1) adjuster (#15) on the SYN-43 circuit board until the amplitude is at its maximum. Set the tone memory switches to B-1 and make sure that the pitch is still approximately the same when heard through the monitor amplifier. 	VCF CUTOFF	50	RESONANCE	99	MOD (KCV, LFO, EG)	0				
VCF CUTOFF	50											
RESONANCE	99											
MOD (KCV, LFO, EG)	0											
8. VCF CUTOFF (CH2-CH8)	CUTOFF 2 ~ 8	<ol style="list-style-type: none"> Connect the SIGNAL OUT terminal to the monitor amplifier. (Or, alternatively, use a headphone.) Change the tone memory switches to B-2 to compare channels 1 and 2. Turn the VCF CUTOFF (CH.2) adjuster (#16) on the SYN-43 circuit board until the pitches agree. Repeat this process for channels 3 through 8, changing the tone memory number and turning the appropriate VCF CUTOFF adjuster (#17 – #22). 										
9. KCV LEVEL adjustment	KCV-99	<p>Note: Set the parameters to the follow values:</p> <table border="0"> <tr> <td>C-1 Signal generators</td> <td>all OFF</td> </tr> <tr> <td>VCF CUTOFF</td> <td>50</td> </tr> <tr> <td>RESONANCE</td> <td>99</td> </tr> <tr> <td>LFO EG</td> <td>0</td> </tr> <tr> <td>Oscilloscope range</td> <td>200 μsec/div</td> </tr> </table> <ol style="list-style-type: none"> Set the tone memory switches to B-1 and observe the waveform at check pin #4 on the SYN-43 circuit board. Adjust the oscilloscope until one wavelength occupies eight (8) divisions on the horizontal scale. Change the tone memory switches to C-1 and turn the KCV LEVEL adjuster (#3) on the SYN-43 circuit board until one wavelength occupies one (1) division on the horizontal scale. <p>Note: It is also possible to tune by ear until C-1 is three octaves higher than B-1. However, in this case, it is necessary to check the intervals by striking each key in order from the lower end of the keyboard.</p>	C-1 Signal generators	all OFF	VCF CUTOFF	50	RESONANCE	99	LFO EG	0	Oscilloscope range	200 μ sec/div
C-1 Signal generators	all OFF											
VCF CUTOFF	50											
RESONANCE	99											
LFO EG	0											
Oscilloscope range	200 μ sec/div											

*set PW control to 50
1st*

Adjustment	Voice Identifier	Procedure
10. ANTILOG AMP adjustment	PLSWIS	1. After setting the tone memory switches to C-2 and connecting the SYN-43 check pin #4 output to the oscilloscope, turn the ANTILOG OFFSET adjuster (#1) until the duty is 50%. Note: Use the 200 μ sec/div range of the oscilloscope.
11. VCA OFFSET adjustment	VCA ADJ	1. With the same connections, change memory switches to C-3. 2. Turn the VCA OFFSET adjuster (#5) until the level is at its minimum.
12. NOISE LEVEL adjustment		1. Attach a millivoltmeter to check pin #7 and turn the NOISE LEVEL adjuster (#6) on the SYN-43 circuit board until the level is -10 dBm. Note: Use a millivoltmeter. The RMS reading should be approximately 1.8 volts.
13. ENSEMBLE DEPTH adjustment		1. Connect the oscilloscope to check pin #4 on the SYN-44 circuit board and turn the ENSEMBLE DEPTH adjuster (#1) until the waveform measures approximately 2.5V peak-to-peak.
14. Signal-to-noise ratio check	MAX (C-4) BASIC (C-5)	1. With the panel VOLUME at the maximum (10), set the output level selector switch (located on the rear panel) to the +4 dBm position, and attach the millivoltmeter to the SIGNAL OUT (LEFT) socket. 2. Shift the tone memory switches between C-4 and C-5. The signal-to-noise ratio should be at least 70 dB.

only
line the
ts maxi-

e wave-
adjuster
wise to

8 tone
ck pins
just all

ie SUB
SYN-43
#15) on
imum.
hat the
gh the

plifier.

annels
on the

ng the
CUT-

eform
ht (8)

KCV
il one
e.
ctaves
ary to
from

■ PARTS LIST

235740	SYN-42 (1)			SYN-42		
235741	SYN-43 (1)			706025	IC	C-MOS 4001 BP
235742	SYN-45 (1)			706029	IC	C-MOS 4069
235743	SYN-46 (1)			706039	IC	CD 4011
235744	FH-07 (1)	JAPAN		706069	IC	TL 082CP
235745	FH-07 (2)	CEE, SAA		706080	IC	C-MOS 4049B
235746	FH-07 (3)	OTHERS		706085	IC	TL 080
235747	FH-07 (4)	USA		706102	TRANSISTOR	2SA564R
235748	FH-07 (5)	CSA		706123	TRANSISTOR	2SC536G
235753	FH-07 (6)	NE		706544	Z. DIODE	WZ-052
235749	SYN-44, 47, PS-33, JA-06 (1)	JAPAN		706917	IC	SN74LS367N
235750	SYN-44, 47, PS-33, JA-06 (2)	USA		706929	IC	SN74LS373N
235751	SYN-44, 47, PS-33, JA-06 (3)	CEE, SAA, NE		706939	IC	SN74LS138
235752	SYN-44, 47, PS-33, JA-06 (4)	CSA		706986	IC	8253C-5
708028	BATTERY	GB50-3		706996	IC	MB74LS374
800084	POWER TRANS	TSE-218D		710412	OSC COIL	25MH
	POWER TRANS	TSE-218U		800044	RESISTOR	RM 8-332J
	POWER TRANS	TSE-218I		800046	IC	P8031
	POWER TRANS	TSE-218E		800047	IC	MSM5128-15RS
710368	VOLUME	GM70E 50KB		800048	IC	TC40H032P
713616	POWER SWITCH	WK2A44		800049	IC	ULN2003A
787302	KNOB	RVT-4		800050	IC	TL311P
787422	KNOB	SVT-4 (YELLOW)		800053	X-TAL	HC18/U12.000MHZ
800079	KNOB	RVT-10		900841	IC 2P25A	MBM2764-25
787329	SENSOR LEVER			706301	DIODE	1S2473
787376	CODE WINDER					
789322	SHIELDED CODE	2.5M				
800078	SW. GUARD					
800080	VOICE PLATE			SYN-43		
800081	NUMBER COVER			706025	IC	C-MOS 4001 BP
800073	C-SCALE KEYBOARD	ESK-7013		706032	IC	C-MOS 4081B
	C KEY			706042	IC	C-MOS 4013B
	D KEY			706051	IC	C-MOS 4050B
	E KEY			706069	IC	TL082CP
	F KEY			706077	IC	NJM-4558DD
	G KEY			706102	TRANSISTOR	2SA564R
	A KEY			706123	TRANSISTOR	2SC536G
	B KEY			706141	TRANSISTOR	2SA798
	TOP-C KEY			706301	DIODE	1S2473
	# KEY			706502	Z. DIODE	WZ-100
800094	DATA CASSETTE TAPE			706511	FET	2SK44D
900215	SIDE BOARD (RIGHT)			706937	IC	BA6110
900220	SIDE BOARD (LEFT)			800051	IC	CD4066 BE
				800056	IC	SSMT2044
				800057	Z. DIODE	WZ-081
				800140	IC	CD4051 BE

SYN-45

706529	LED	SLR-34UR
706530	LED	SLR-34GG
706939	IC	SN74LS138
706994	IC	MB74LS175
706996	IC	MB74LS374
800031	IC	M54563P
800032	TRANSISTOR	2SC1652Q
800033	LED DISPLAY	TLR-370
800034	LED DISPLAY	LB-402-AK
800035	TACT SW	KHC10011
800036	PULSE SW	SGFV01T
800044	RESISTER	RM 8-332J
800049	IC	ULN2003A
900090	PUSH BUTTON	BLACK
900095	PUSH BUTTON	RED
900100	PUSH BUTTON	GRAY
900105	PUSH BUTTON	WHITE
706301	DIODE	1S2473

SYN-46

706529	LED	SLR-34UR
706530	LED	SLR-34GG
800032	TRANSISTOR	2SC1652Q
800035	TACT SW	KHC10011
900090	PUSH BUTTON	BLACK
900095	PUSH BUTTON	RED
900100	PUSH BUTTON	GRAY
900105	PUSH BUTTON	WHITE
706301	DIODE	1S2473

FH-07

800058	SC COIL	SC-02-100
--------	---------	-----------

SYN-44, 47 PS-33 JA-06

706071	IC	MN3009
706077	IC	NJM-4558DD
706080	IC	C-MOS 4049
706101	TRANSISTOR	2SC536F
706102	TRANSISTOR	2SA564R
706319	DIODE	RB-152
706502	Z. DIODE	WZ-100
706507	Z. DIODE	WZ-120
706544	Z. DIODE	WZ-052
706906	IC	C-MOS 4053B
707019	IC	NJM-4556D
713327	LEVER SW	SLR02337
713656	LEVER SW	SLR022
784104	PHONE JACK	EJU6G3
784105	SHORT JACK	EJU6C8
800060	INCREMENT VR.	EVH-5XAK15B54
800061	SLIDE VOL	EVB-VBPS10B14
800062	IC	NE571
800063	IC	TL431
800064	TRANSISTOR	2SB941Q
800065	TRANSISTOR	2SD1266Q
706301	DIODE	1S2473

