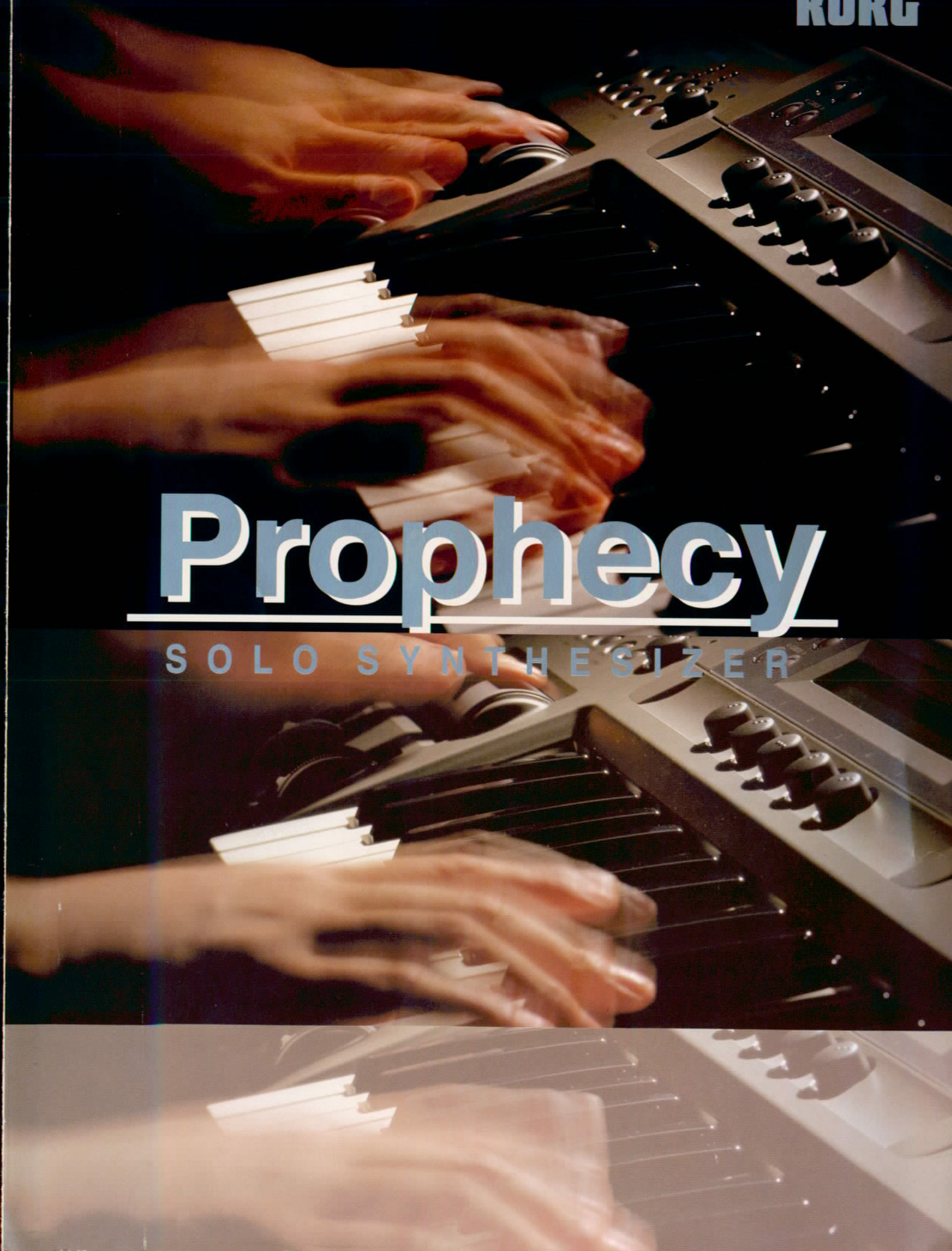


KORG

Prophecy

SOLO SYNTHESIZER



**Ground breaking sounds
in a new instrument with so much control
it blows the limits off creative expression.**

Prophecy

SOLO SYNTHESIZER



MOSS

Multi Oscillator Synthesis System

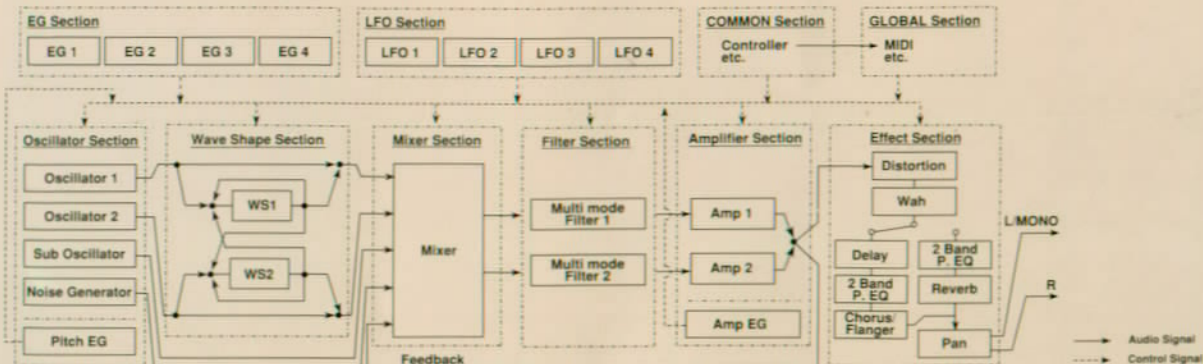
Introducing the New Prophecy – the Ultimate Solo Instrument for Keyboard Players.

Thanks to the newly developed Multi-Oscillator Synthesis System (MOSS) based on DSP technology, the 37-key Prophecy combines stunning dynamic synthesizer sound with responsive and expressive control—giving musicians the sounds they've been waiting for.

The Prophecy combines powerful monophonic synthesizer sounds with an unprecedented degree of expressive control. The Prophecy utilizes five different synthesis methods, including Analog and Physical Modeling, plus seven different dynamic effect algorithms for signal processing. This gives you an incredible palette to create a dynamic array sounds. The Prophecy Solo Synthesizer adds more power and expressivity to your current keyboard system and gives you the sonic flexibility of having just the right tool for the right job.



The Structure of the Prophecy



The sounds of the Prophecy begin as waveforms in the Multi-Oscillator section, and are then processed by subsequent blocks including Wave Shaping, a Multi-mode Filter, etc.

• Oscillator Block

The Prophecy has seven built-in oscillator types, created through five different synthesis techniques including Analog, VPM, and Physical Modeling. Up to two of these oscillator types can be combined in a single sound. A separate Sub Oscillator and Noise Generator are independent from the two main oscillators, providing even greater sound variation possibilities.

• Wave Shaping Block

Each oscillator can be processed through a non-linear table, for subtle or dramatic alteration of the original waveform. Two different tables are available: Clip and Resonant. It is also possible to modulate the degree of the waveform alteration, as well as the level balance between the processed and original waveforms.

• Mixer Block

This determines the relative level balance of the various sounds: the two Oscillators, the Sub Oscillator, the Noise Generator, and the Feedback signal sent to the Filter Block.

• Filter and Amp Block

This features two multi-mode filters, each switchable between Low-Pass, High-Pass, Band-Pass, and Band-Reject modes. These can be placed either in series or in parallel. The level of each filter's output can be controlled independently.

• Effect Block

This features seven separate effects, including Distortion, Wah, Dual Parametric EQ, and a choice of Chorus/Flanger+Delay or Reverb.

Five different synthesis models give you enormous sonic shaping and expressive power.

Unlike conventional synthesizers which use only a single tone generation method, the Prophecy utilizes sophisticated Multi-Oscillator DSP Synthesis technology, which combines five different synthesis models—including DSP, Analog and Physical Modeling. And, the oscillators can be arranged in twelve different combinations to produce a wide variety of sounds with distinct characteristics.

1. Standard Oscillator for Analog Synth Sounds

With a special new Multi-Mode Resonant Filter, the standard oscillator setting on the Prophecy provides classic synthesizer sounds such as synth bass, lead, filter sweep sounds and many others. We've also included Portamento plus a special, new Multi-mode Filter.

2. Noise + Comb Filtering

This oscillator setting extracts pitch elements from white noise, letting you tap into a wide range of timbres. This is particularly suited for producing spectrum-type sounds, special effects and unique sounds with rich harmonic content.

3. VPM (Variable Phase Modulation)

Using phase modulation, this oscillator setting gives you precise control over waveform shapes allowing you to change the harmonic content of sounds.

4. Cross/Ring Modulation and Sync

Cross Modulation and Ring Modulation oscillator settings produce a wide range of bell, metallic and clangorous sounds. The Sync setting can be used to create a variety of vintage synth sounds.

5. Physical Modeling

Physical Modeling is the latest and most sophisticated tone generation method. Each of the three settings provides the extraordinarily broad timbral range that can only be created by Physical Modeling.

• Brass Model Oscillator

This simulates brass instruments such as trumpet and trombone, and is capable of producing trumpet bends/fall-offs, trombone slides, and fine control of air pressure and tone.

• Reed Model Oscillator

This simulates woodwind instruments such as saxophone and flute, and lets you control lip pressure, growl, air pressure and tone shaping.

• Plucked String Model Oscillator

This simulates plucked string instruments such as acoustic or electric guitar and bass. This setting gives you detailed, expressive control over various picking and slap techniques.

Intuitive editing controls for creating any sound you imagine.

The oscillator section provides the fundamental sonic building blocks of the Prophecy. This basic sound is then processed in order by the following blocks: Wave Shaping, Mixer, Filter & Amp and an effects section which has seven effects, including Distortion, Wah, Dual Parametric EQ, and a choice of Chorus/Flanger+Delay or Reverb.

Each program can have its own dynamic effects settings that you can control in real time using the keyboard dynamics, modulation wheel or ribbon controller. There are 128 impressive program sounds on board, and programs you create on the Prophecy can be saved to or loaded from optional SRC-512 RAM memory cards.

Real-time Controllers for Exceptionally Expressive Performance.

Virtually all the parameters of the Prophecy can be controlled in real time, either by elements such as the Envelope Generator and LFO, or by performance controllers such as the ribbon, modulation wheel, and pitch bend wheel. Each program can have its own independent controller settings, so you can customize each sound to match your own playing style.

In addition, the Programmable

Performance Editor allows you to assign certain parameters to be controlled from the panel as you're playing. There's even a Programmable Arpeggiator which lets you freely program arpeggio patterns and synchronize them to MIDI clock. You can also control various functions, such as program up and down, by using the optional EC5 foot pedal.



All in all, this keyboard will forever change the way you think about synthesizers. The new Prophecy breaks the boundaries of conventional synthesis with its cutting-edge technology, giving musicians the power to create and perform with sounds of enormous impact and expressive depth.

Prophecy REAR PANEL



- 1 AC power connector 2 Power switch 3 MEMORY CARD slot : Insert SRC-512 RAM Memory Card. 4 MIDI (IN, OUT, THRU) terminals 5 EC5 jack : Connect to the EC5 External Controller. 6 RIBBON SENS knob : Control sensitivity level of the ribbon controller. 7 FOOT PEDAL jack : Connect to the DS-1 damper pedal, EXP-2 foot controller, XVP-10 Vol / Exp pedal. 8 FOOT SW jack : Connect to the PS-1 / 2 pedal switches. 9 OUTPUT (L/MONO, R) jacks

Prophecy SPECIFICATIONS

- Sound Generation Method: Multi-Oscillator Synthesis System
- Sound Source: Monophonic, 2 oscillators (max.) + Sub Oscillator + Noise Generator
- Keyboard: 37 notes, with velocity and aftertouch sensitivity
- Effects: 7 effects, including Distortion, Wah, Dual Parametric EQ, and a choice of Chorus/Flanger+Delay or Reverb.
- Programs: 128 programs
- Arpeggiator Section: 5 preset patterns, 5 user patterns
- Controllers: 2 x Modulation Wheel, Ribbon Controller
- Control Inputs: Assignable Foot Switch, Assignable Foot Pedal, EC5
- Outputs: L/Mono, R, Headphones
- MIDI: IN, OUT, THRU
- Card Slot : Program Data, Arpeggio Patterns
- Display: 40 x 2 character LCD
- Power Supply: AC, Local Voltage
- Power Consumption : 10W
- Dimensions: 740 (W) x 286.8 (D) x 91.2 (H) mm
- Weight : 5.7kg
- Accessories: AC cord

Prophecy OPTIONS

- SRC-512 RAM Memory Card
- EC5 External Controller
- PS-1, PS-2 Pedal Switches
- DS-1 Damper Pedal
- EXP-2 Foot Controller
- XVP-10 EXP/VOL Pedal



● SRC-512



● XVP-10



● EC5

KORG

KORG INC. 15-12, Shimotakaido 1-Chome, Suginami-Ku, Tokyo, Japan
 KORG USA INC. 89 Frost Street, Westbury, New York 11590 U.S.A.
 KORG(UK)LTD. 8-9 The Crystal Centre, Elm Grove Road, Harrow, Middlesex HA1 2YR U.K.

NOTICE: Korg products are manufactured under strict specifications and voltages as required by each country. These products are warranted by the Korg distributor in the country where they are purchased. Any Korg product not sold with a warranty card or carrying a serial number disqualifies that product sold from the manufacturer's / distributor's warranty and liability. This requirement is for your own protection and safety.

- Specifications and features are subject to change without notice.
- Color reproduction in printed materials may differ from the actual product appearance.