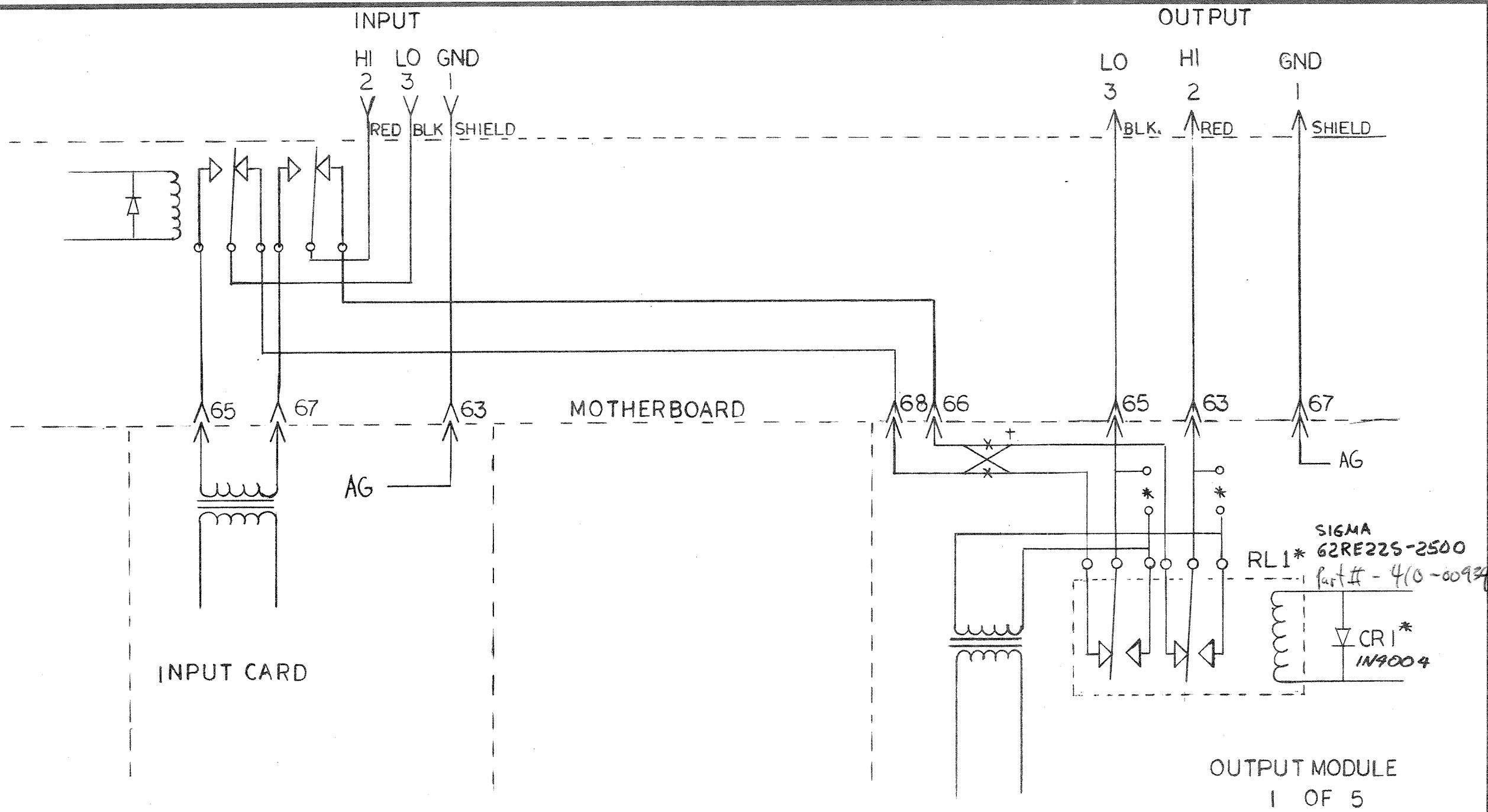


REV.	DATE	REVISIONS
Ø	2-9-77	RELEASED



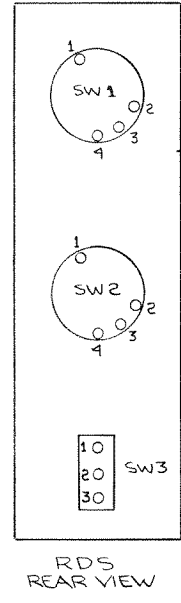
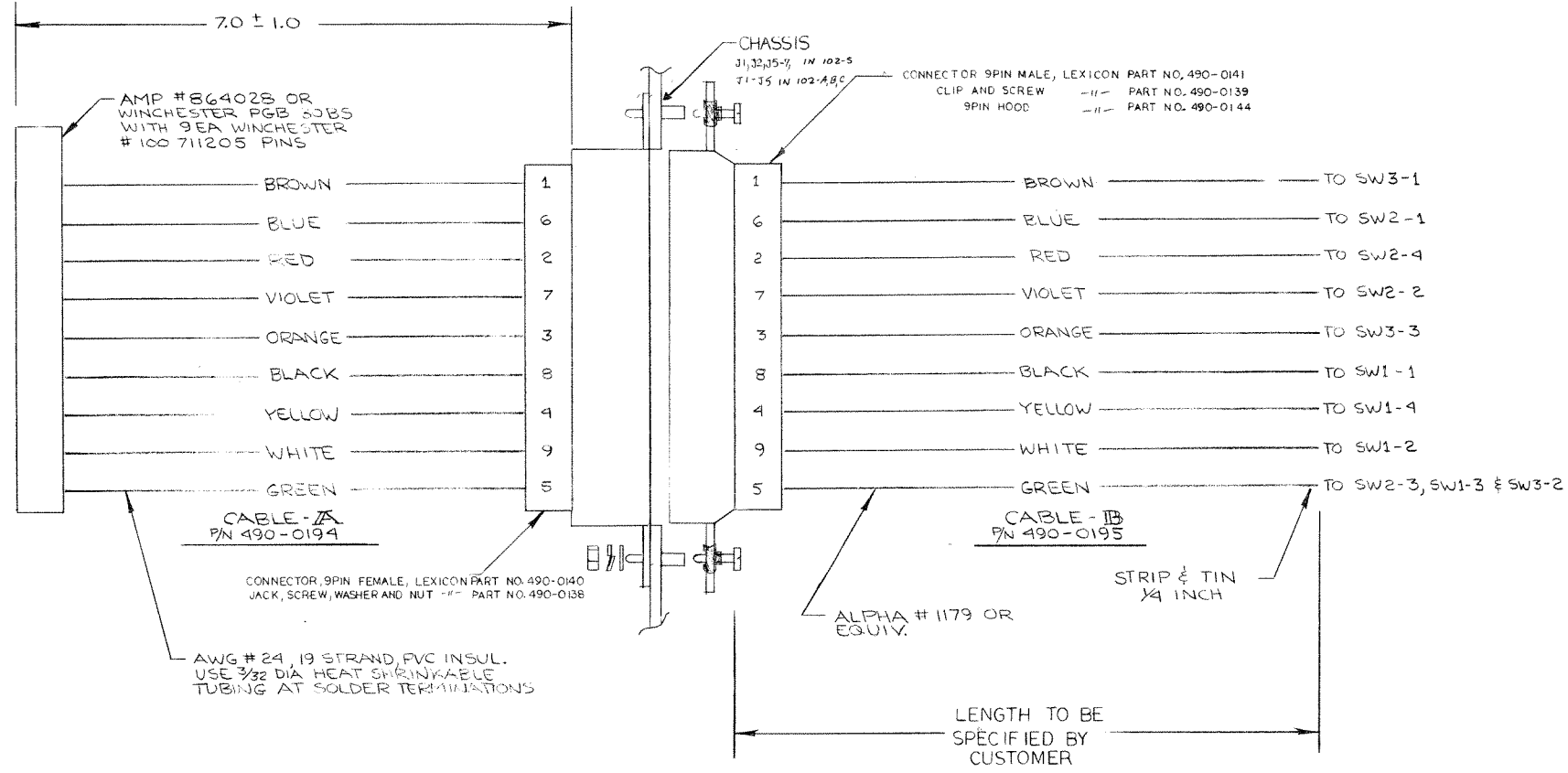
**NOTES**

1. \*BPO OPTION, REMOVE JUMPERS, INSTALL RLI AND DIODE CRL AND RELAY SOCKET
2. † ON EARLIER (BEFORE JAN 77) CARDS, WITH HS DAC, BREAK ETCH TWO PLACES AND INSTALL JUMPERS TO CORRECT PHASE IN BPO OPTION.
3. RELAYS SHOWN DEENERGIZED, POWER OFF CONDITION.

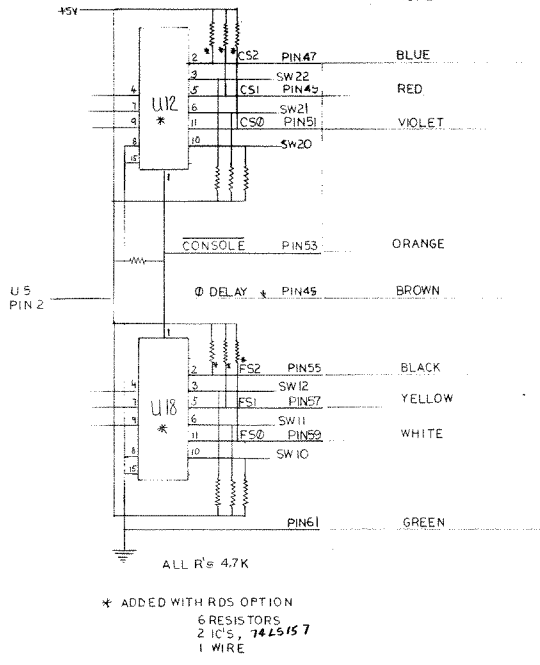
<b>LEXICON INC.</b>		
SCALE: NONE	APPROVED BY:	DRAWN BY: TFG.
DATE: 2-9-77		REVISED: Ø/2-9-77
<b>BPO OPTION, DELTA-T 102</b>		
		DRAWING NUMBER: 060-0339/Ø

BACKPLANE  
OUTPUT MODULE

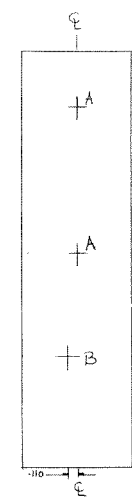
420	410
440	430
460	450
480	470
500	490
520	510
540	530
560	550
580	570
600	590
620	610
640	630
660	650
680	670
700	690
720	710
740	730
760	750
780	770
800	790



SCHMATIC OF  
OM-102 MODIFICATIONS  
OUTPUT  
MODULE



FUNCTION TABLE	
BACKPLANE PIN NO.	FUNCTION
45	Ø DELAY
47	CS2
49	CS1
51	CS Ø
53	CONSOLE
55	FS2
57	FS1
59	FS Ø
61	GND



RDS TEMPLATE

NOTES  
 1 A HOLES .006 DIA, 2 PLACES  
 2 B HOLES .256 DIA, 1 PLACE  
 3 REQUIRED PANEL THICKNESS .062 MIN, .125 MAX.  
 4 - - - - - DIMENSIONS 1.5 X 5.2 MIN.

REV.	DATE	REVISIONS
1	2-1-77	PRINT UPDATE, SCHEMATIC ADDED

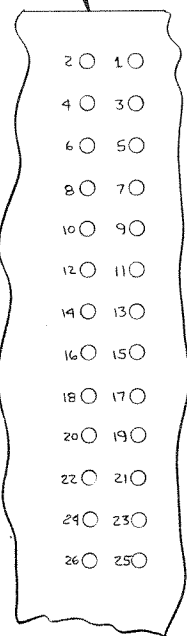
LEXICON INC.

SCALE: *NDVE* APPROVED BY: \_\_\_\_\_ DRAWN BY: *JAH*  
 DATE: *3-12-76* REVISED: *1/2-1-77*

RDS INTERFACE

DRAWING NUMBER: *490-0194/1*  
 490-0195/1

CONTROL CARD  
BACKPLANE PINS



AMP # 864028 OR  
WINCHESTER PGB 30 BS  
WITH 9 EA WINCHESTER  
#100-711205 PINS

BROWN  
ORANGE  
YELLOW  
GREEN  
BLUE  
VIOLET  
GREY  
RED  
BLACK

CABLE - A  
P/N 490-0196

AWG # 24, 19 STRAND,  
PVC INSUL.  
USE 3/32 DIA. HEAT SHRINK-  
ABLE TUBING AT SOLDER  
TERMINATIONS

CONNECTOR, 9PIN FEMALE LEXICON PART NO. 490-0140  
JACK SCREW, WASHER/NUT PART NO. 490-0138

CHASSIS

CLIP  
ALPHA #1179 OR  
EQUIV.

LENGTH TO BE  
SPECIFIED BY  
CUSTOMER

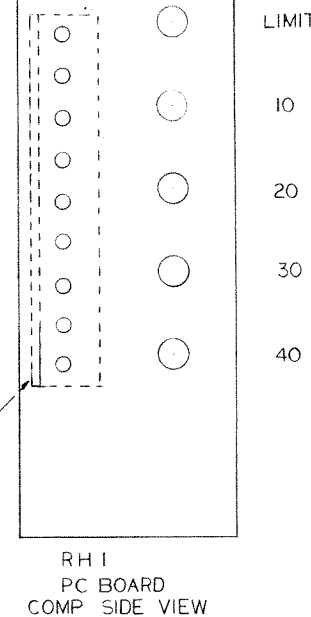
CONNECTOR, 9PIN MALE LEXICON PART NO. 490-0141  
CLIP AND SCREW PART NO. 490-0139  
9PIN HOOD PART NO. 490-0144

BROWN  
ORANGE  
YELLOW  
GREEN  
BLUE  
VIOLET  
GREY  
RED  
BLACK

CABLE - B  
P/N 490-0197

MOLEX 9 PIN  
LOCKING CONN  
# 09-50-3091  
WITH MOLEX PIN  
# 08-50-0108

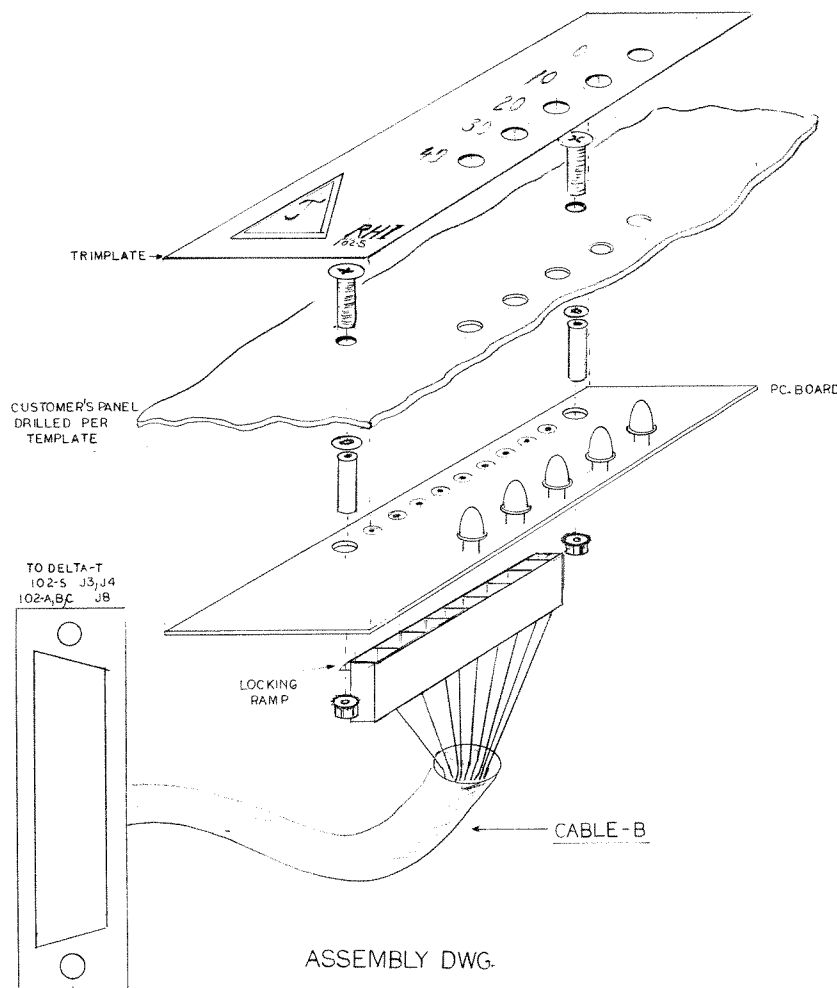
LOCKING  
RAMP



LIMIT  
10  
20  
30  
40

RHI  
PC BOARD  
COMP SIDE VIEW

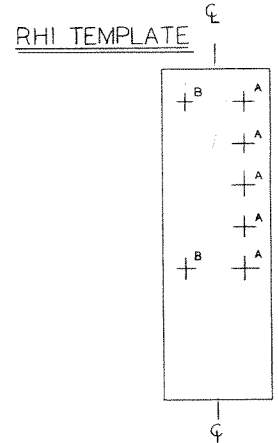
FUNCTION TABLE		
CONTROL CARD BACKPLANE	PIN NO.	FUNCTION
	1	N.C.
	3	+5V
	5	LIMIT
	7	10
	9	20
	11	30
	13	40
	15	UNUSED WIRE
	17	UNUSED WIRE
	19	UNUSED WIRE



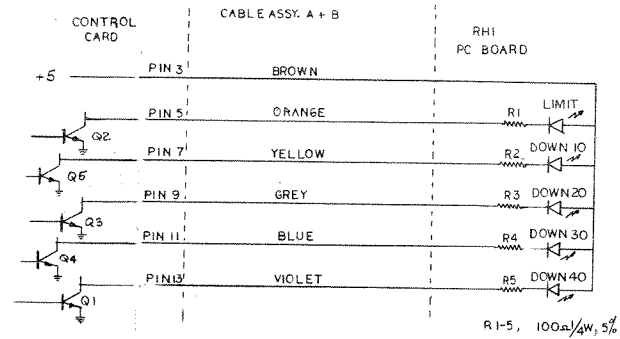
RHI KIT CONTENTS:		
		QTY.
1	TRIM PLATE	1
2	PC BOARD	1
3	#4 FLAT HEAD SCREWS	2
4	#4 INTERNAL LOCK WASHER	2
5	#4 KEP NUTS	2
6	#4 SPACERS	2
7	CABLE ASSY. A	1
8	CABLE ASSY. B	1

- INSTRUCTIONS:
1. DRILL YOUR PANEL ACCORDING TO TEMPLATE
  2. ASSEMBLE PC BOARD AND #4 HARDWARE AS SHOWN
  3. PEEL PROTECTIVE BACKING OFF TRIMPLATE
  4. CAREFULLY PLACE STICKY TRIMPLATE IN POSITION OVER LED'S ONTO PANEL

DATE	REV.	REVISIONS
1-28-77	2	PRINT UP DATE, SCHEMATICS ADDED



NOTES  
A-HOLE 5 PLACES 3DRILL .213 DIA  
B-HOLE 2 PLACES 1/8DRILL .125 DIA  
COUNTER SINK 82° TO .250 DIA FROM THIS SIDE  
REQUIRED PANEL THICKNESS .080MIN., .125 MAX.  
REQUIRED PANEL DIM 1.50X4.20MIN.



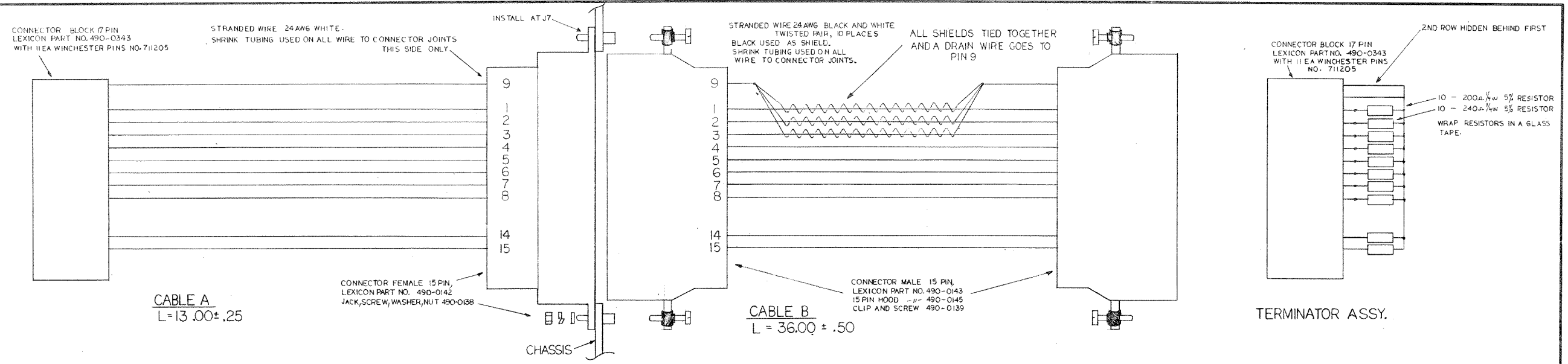
RHI  
SCHEMATIC

LEXICON INC.

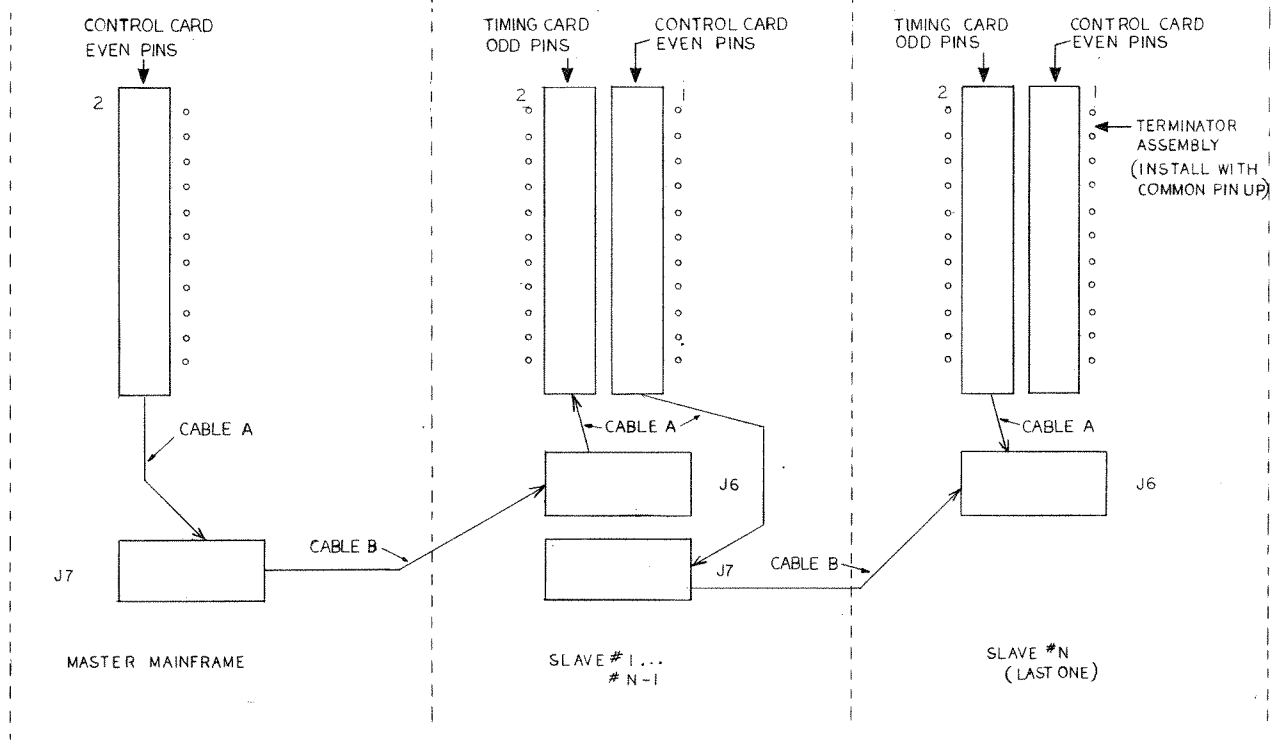
SCALE: NONE APPROVED BY: DRAWN BY: JAH  
DATE: 3-12-76 REVISED: 1-29-77

RHI INTERFACE

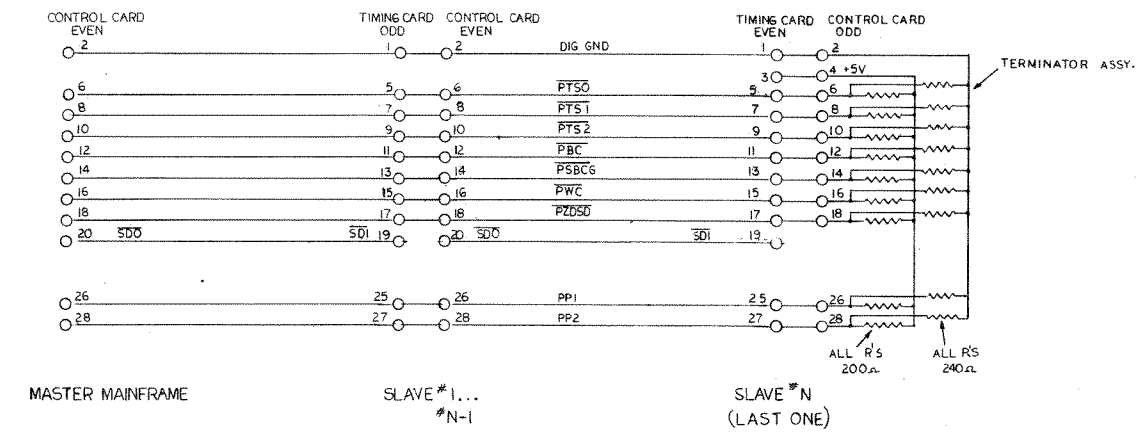
DRAWING NUMBER: 490-0196/2



CABLE & CONNECTOR PLACEMENTS



SIGNAL FLOW



NOTES

1. CHASSIS GROUNDS MUST BE INTERCONNECTED BY WIRES WHOSE LUG ENDS ARE SECURED UNDER CHASSIS SCREWS.

REV.	DATE	REVISIONS
0	2-15-77	RELEASED

LEXICON INC. 60 TURNER ST. WALTHAM MA.02154

SCALE: NONE APPROVED BY: DRAWN BY: 7716

DATE: 2-15-77 REVISED: 2-15-77

EX-102 INTERFACE

DRAWING NUMBER 060-0342/0