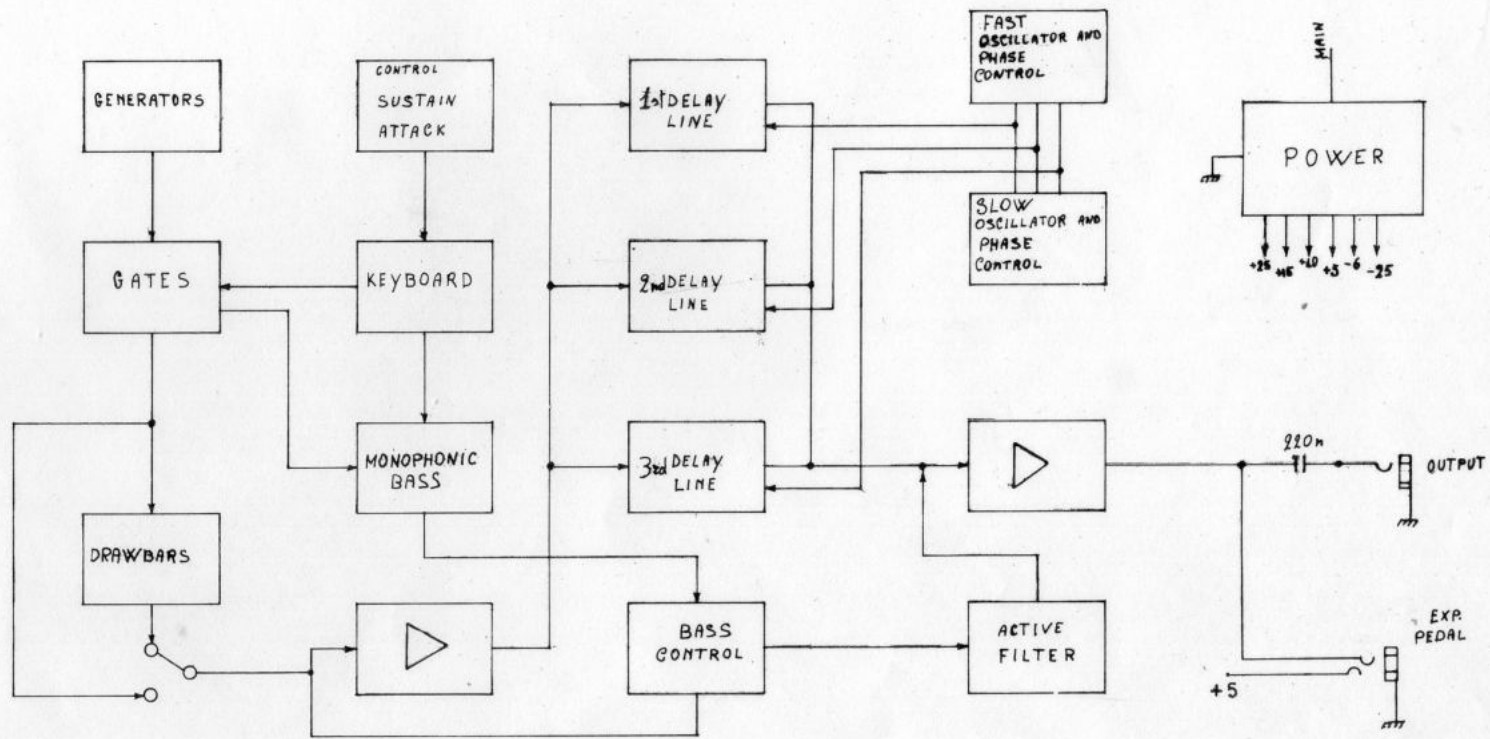


***Schematic Diagrams***

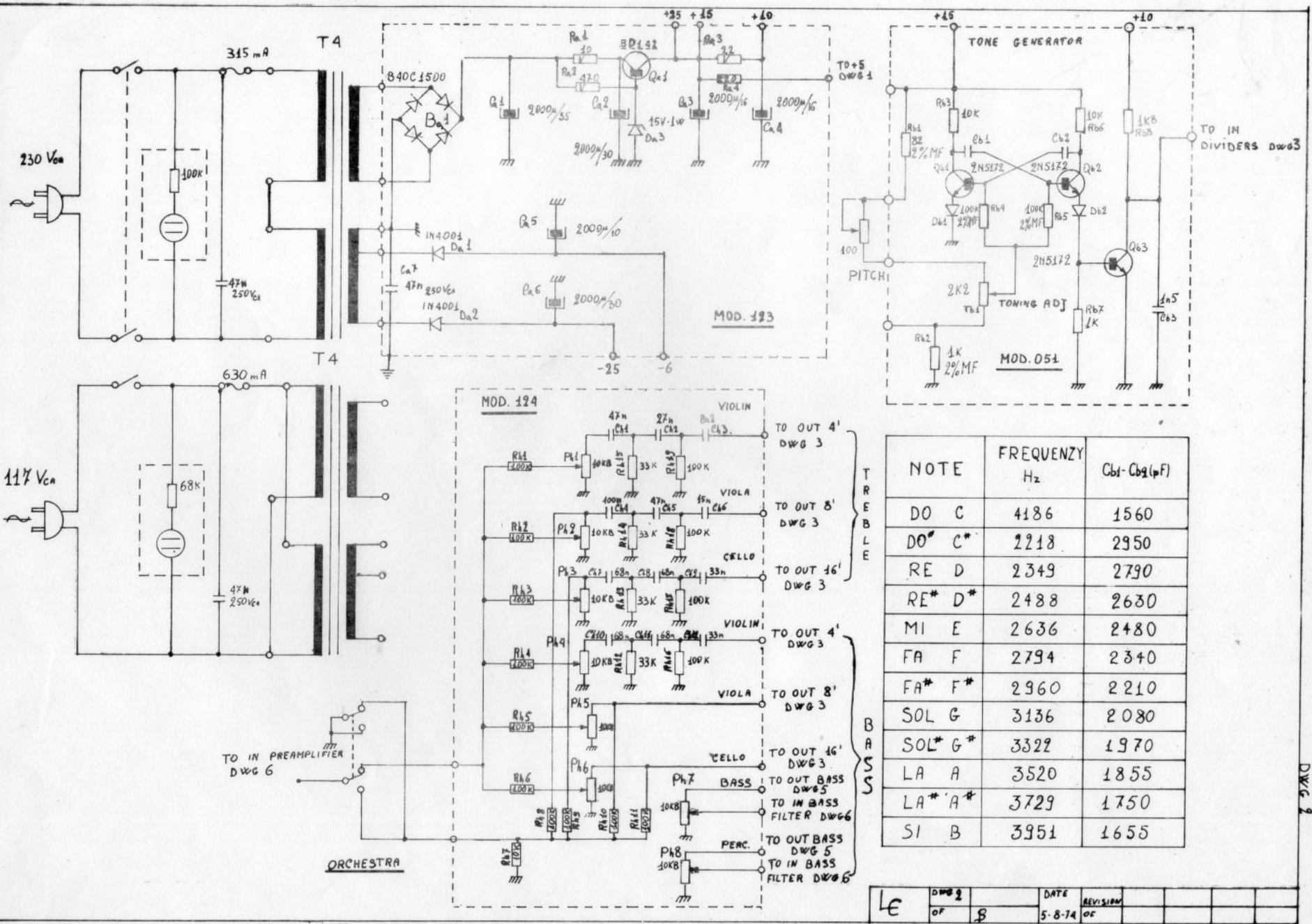
# **LOGAN STRING MELODY I**



BLOCK DIAGRAM

DWG 1

16	DWG 1	DATE	REVISION				
	OF 8	5-8-74	OF				



NOTE	FREQUENCY Hz	Cb1-Cb2(pF)
DO C	4186	1560
DO# C*	2218	2950
RE D	2349	2790
RE# D*	2488	2630
MI E	2636	2480
FA F	2794	2340
FA# F*	2960	2210
SOL G	3136	2080
SOL# G*	3322	1970
LA A	3520	1855
LA# A*	3729	1750
SI B	3951	1655

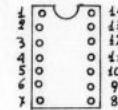
LE	DWG 2	DATE	REVISION		
	OF 8	5-8-74	OF		

DWG 2

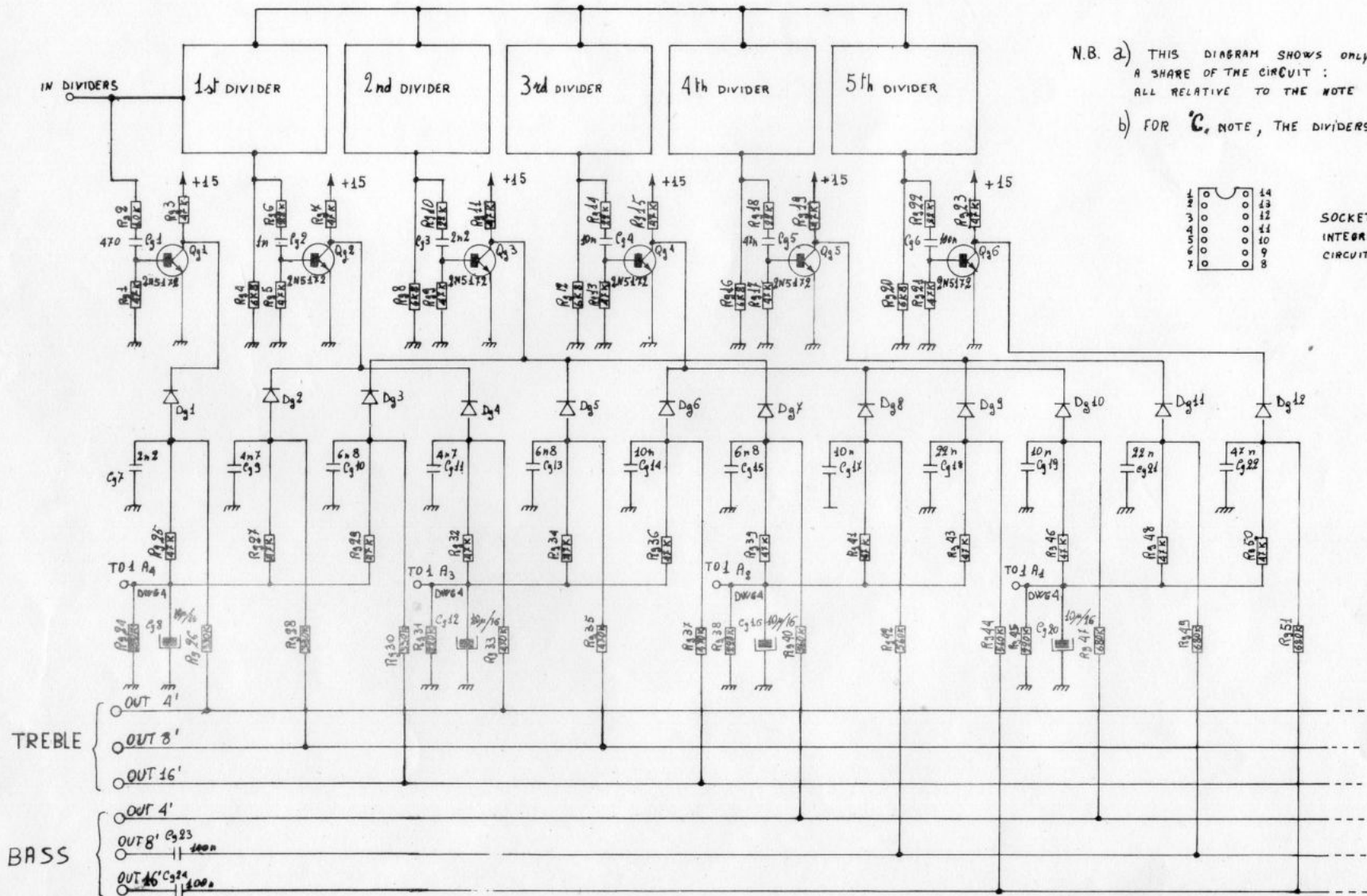
MOD. 117

N.B. a) THIS DIAGRAM SHOWS ONLY  
A SHARE OF THE CIRCUIT :  
ALL RELATIVE TO THE NOTE "A,"

b) FOR "C," NOTE, THE DIVIDERS ARE 6

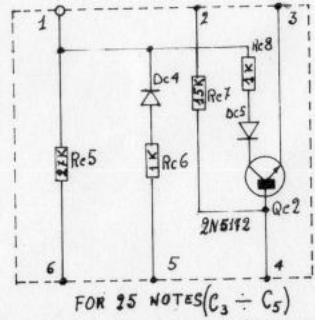
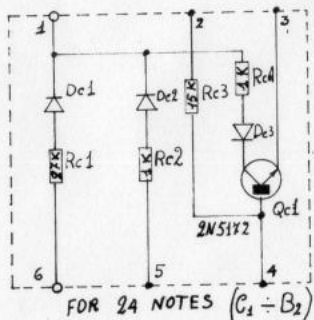
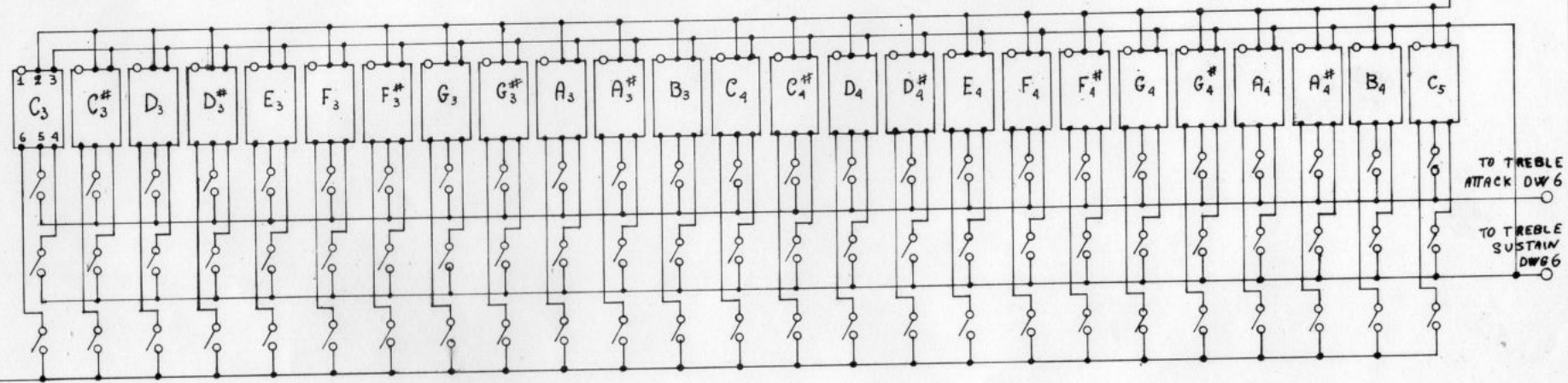
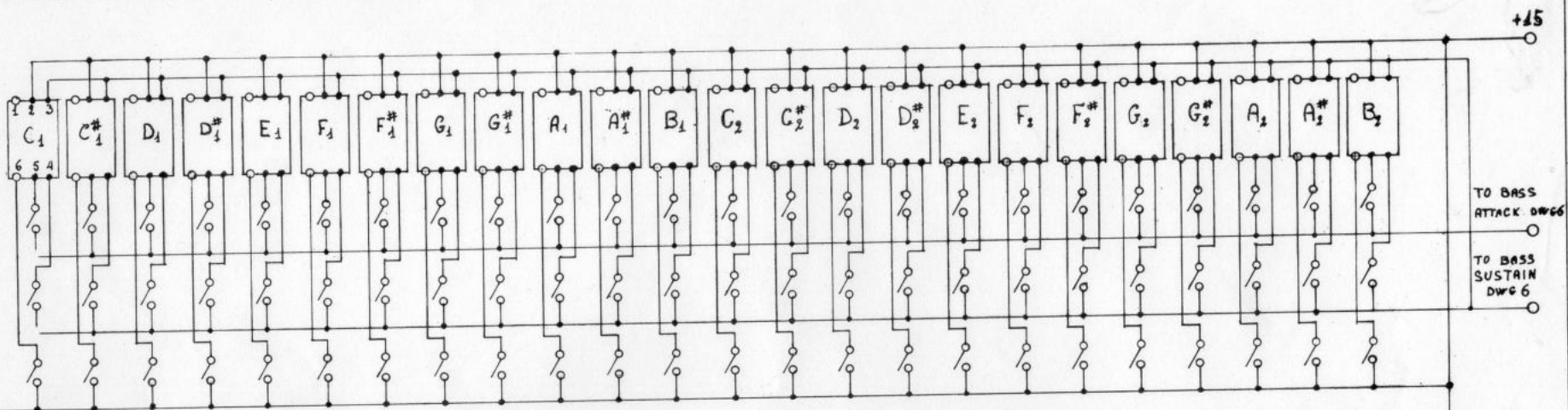


SOCKET FOR  
INTEGRATED  
CIRCUIT SAJ 210



LE	Dwg 3	DATE	REVISION				
	of 8	5-8-74	OF				

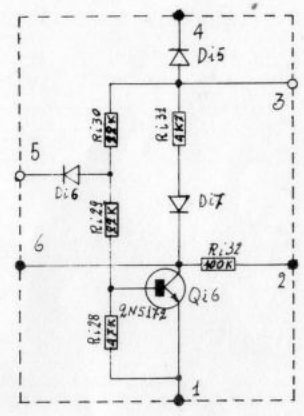
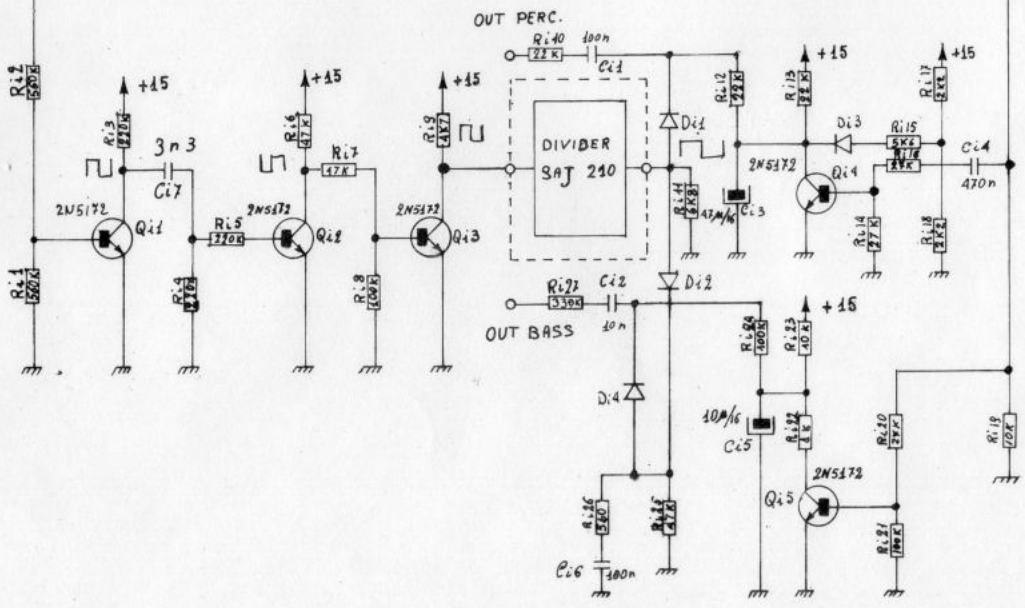
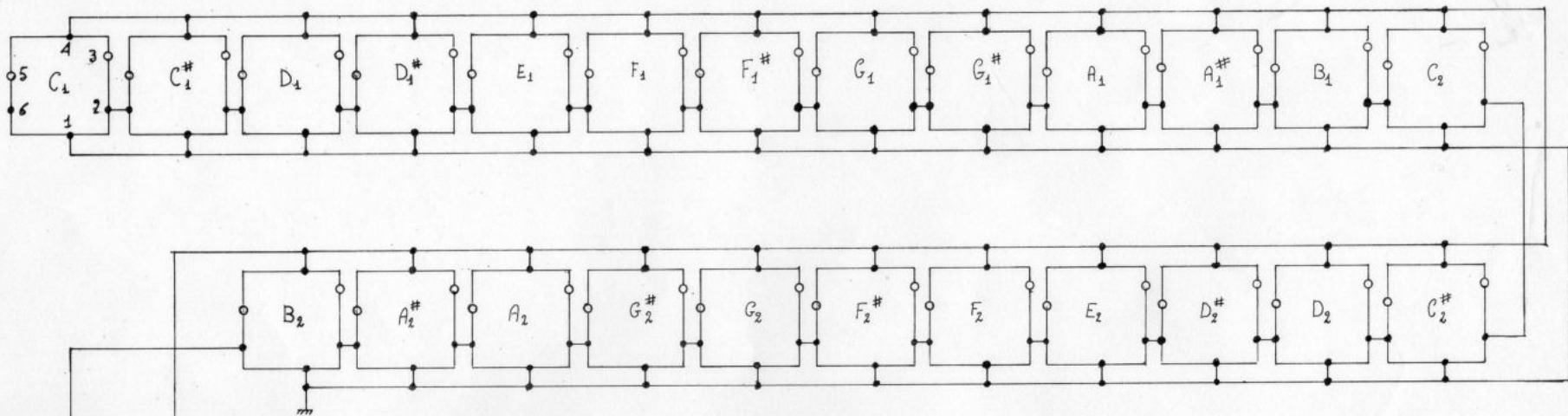
DWG 3



MOD. 115

LE	DWG A	DATE	REVISION			
	OF B	5-8-74	DF			

DWG 4

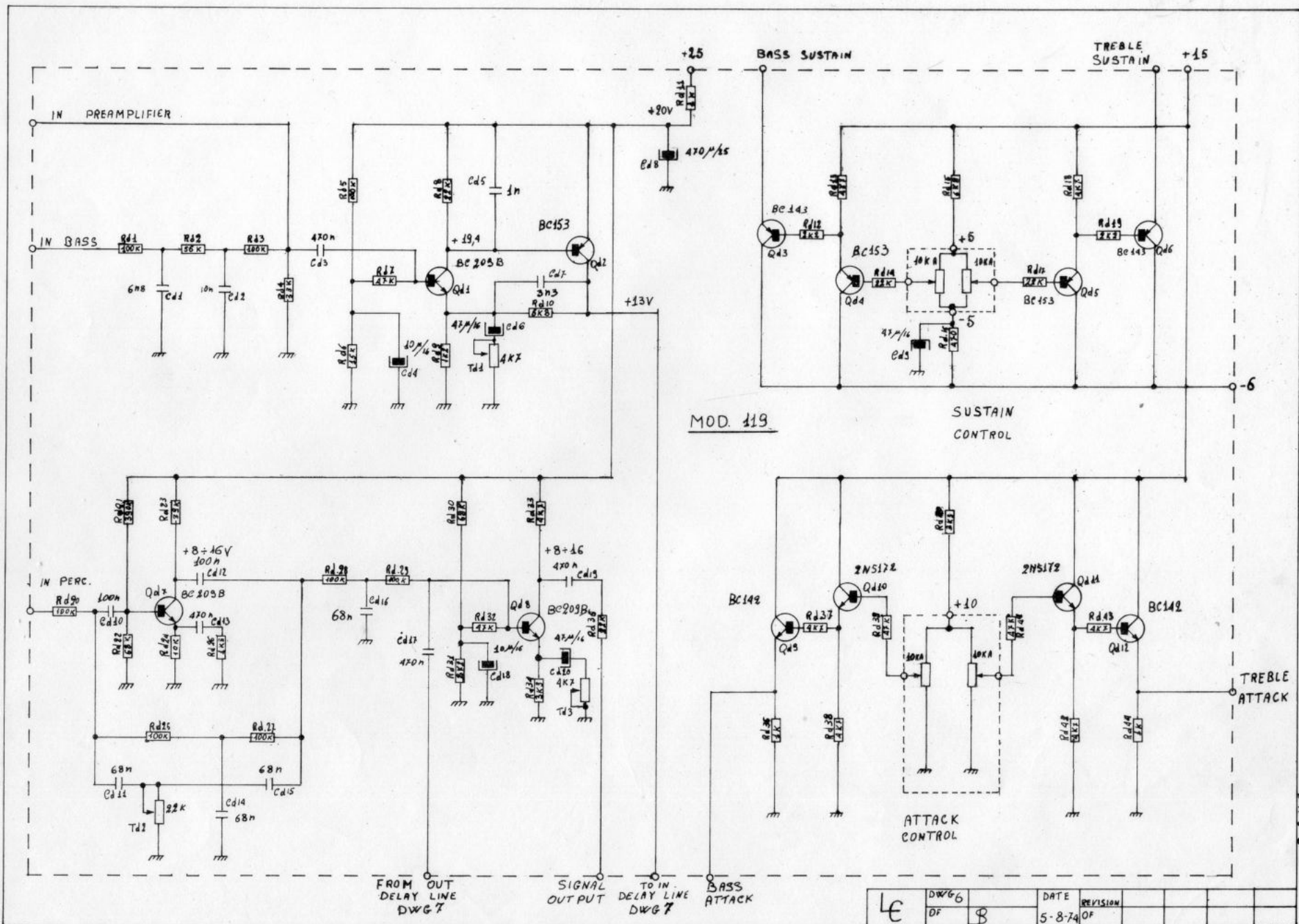


MOD. 118

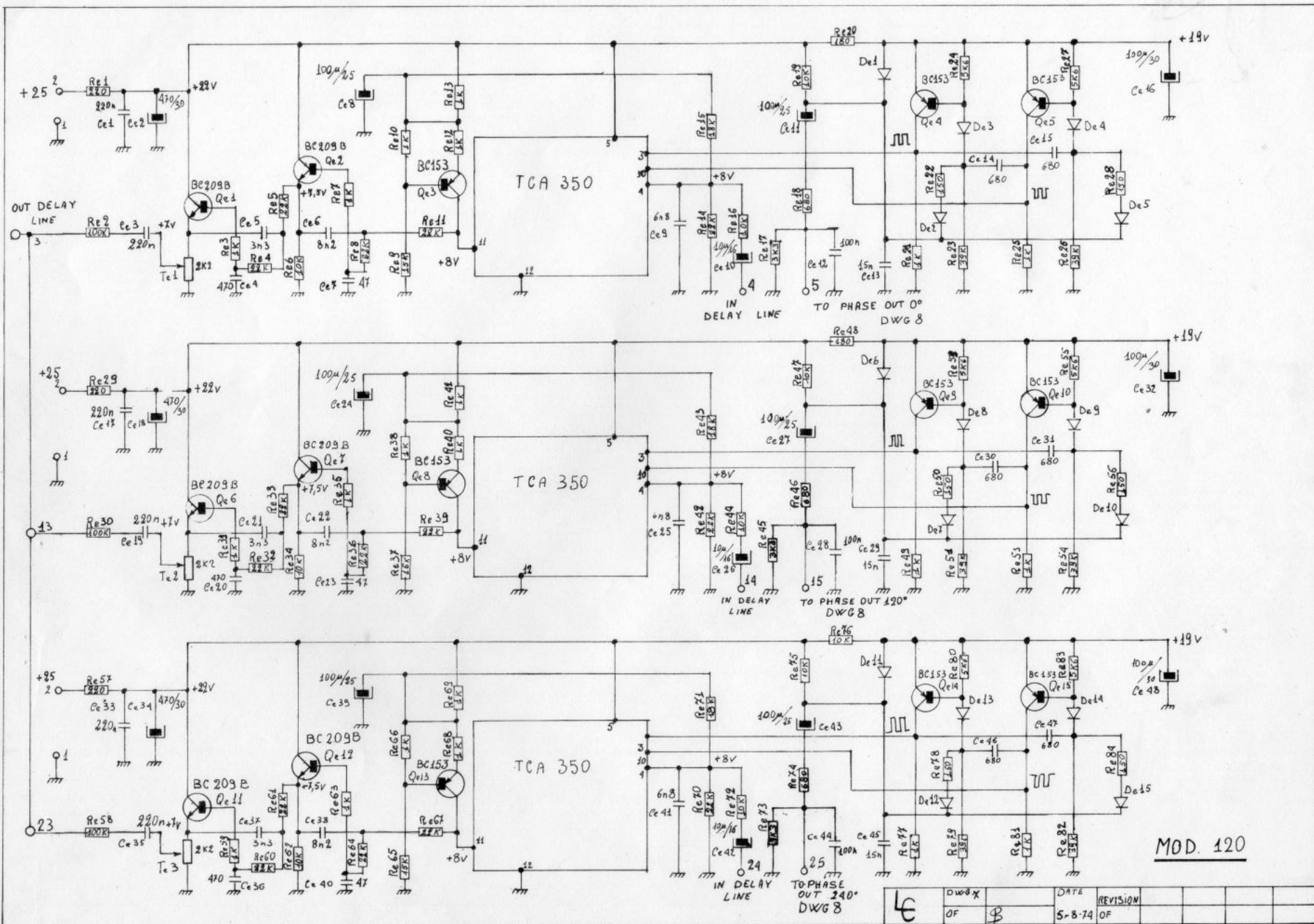
NB. a) THE POINT 3 IS CONNECTED WITH POINT 6 OF THE 24 NOTES DWG 4  
 b) THE POINT 5 IS CONNECTED WITH RELATIVE FREQUENCY DIVIDER

LE	DWG	5	DATE		REVISION	
	OF	8	5-8-74	06		

DWG 5



LE	DWG 6	DATE	REVISION			
	DF B	5-8-74	OF			



DWG 7



