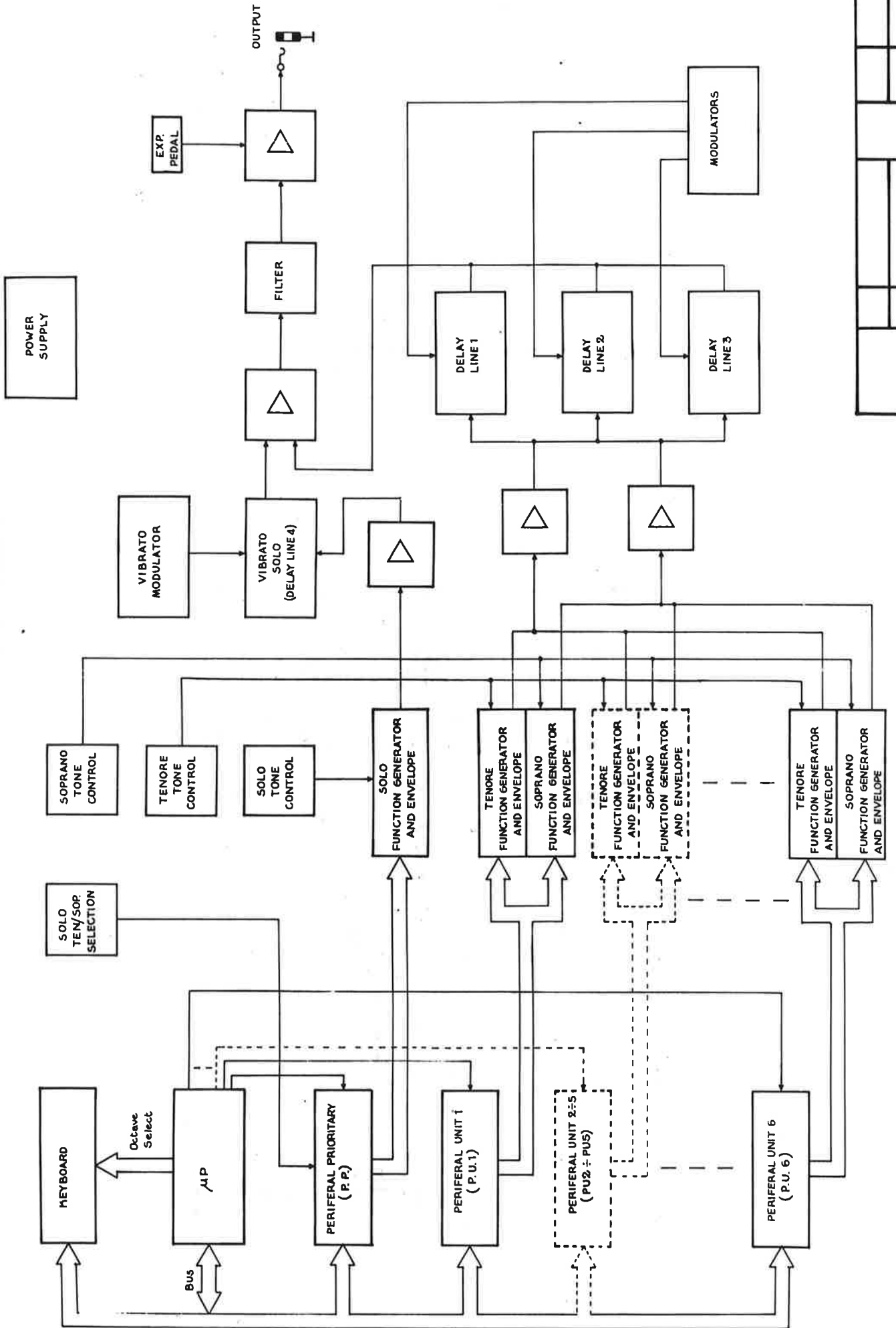


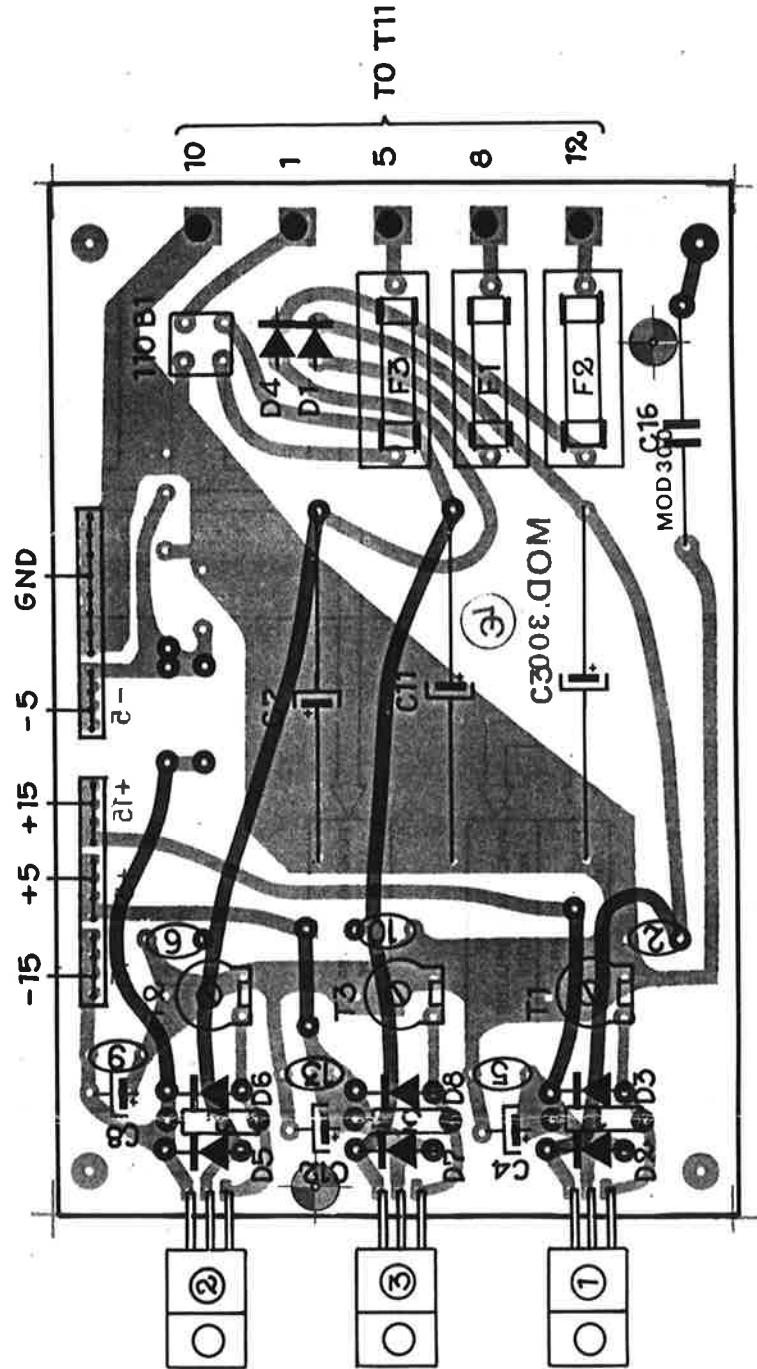
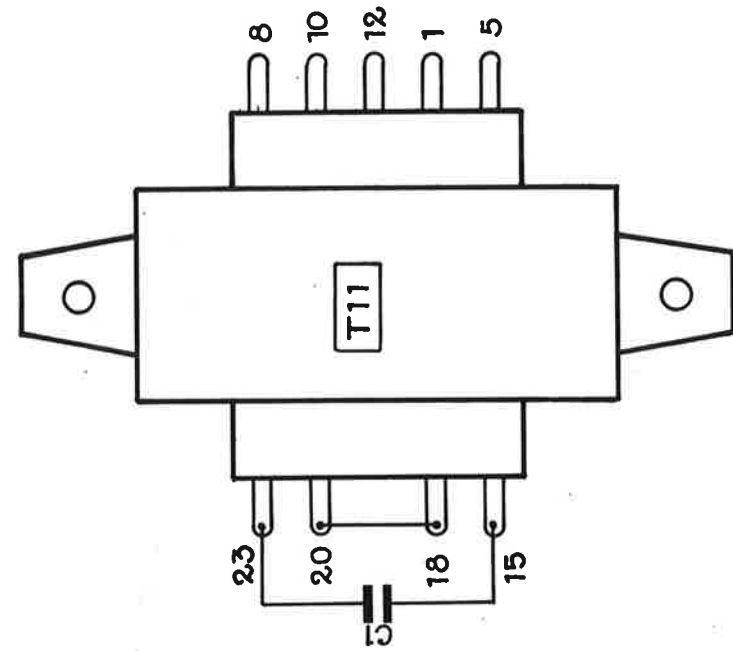
Le Logan electronics s.r.l.

Schematic Diagrams

VOCALIST

BLOCK DIAGRAM

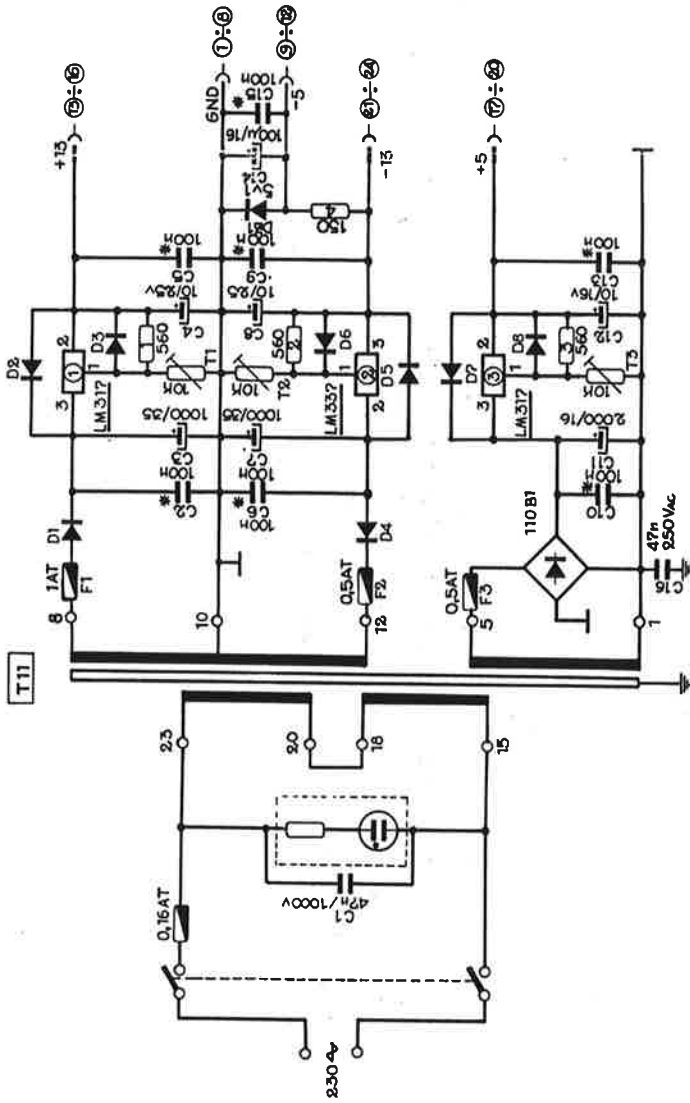




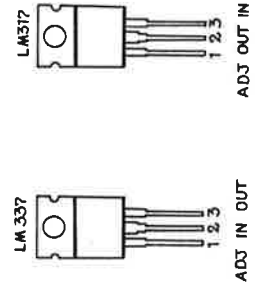
MOD 300

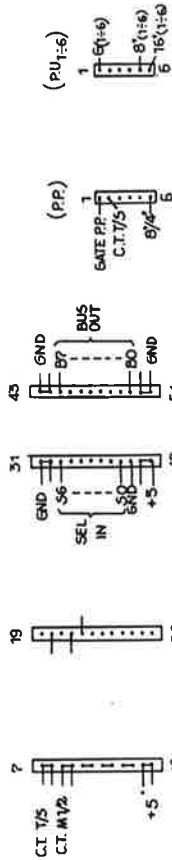
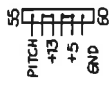
MOD
300

DI=D8-1N4002

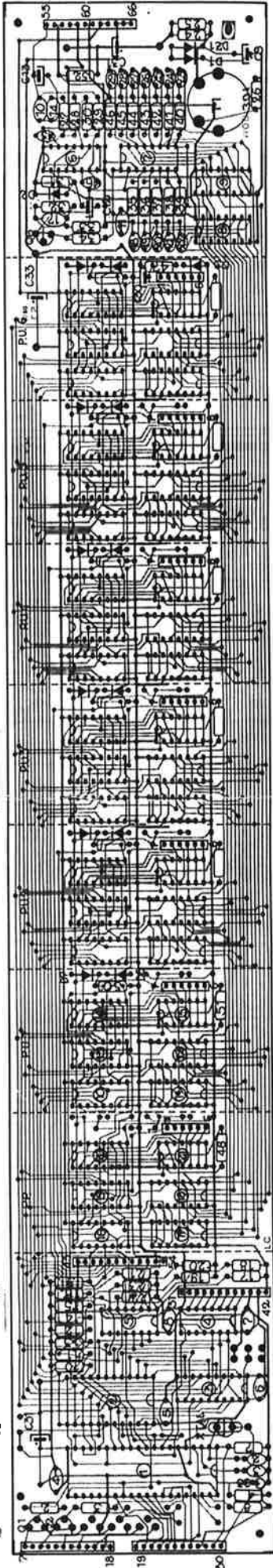


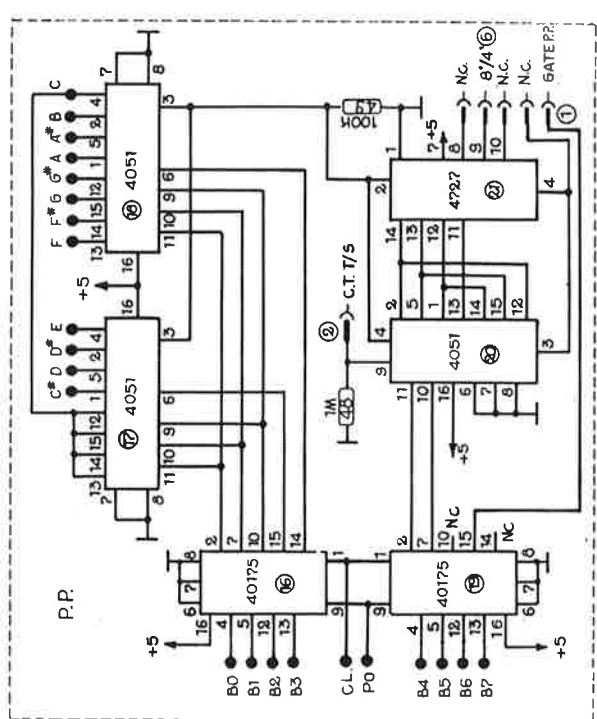
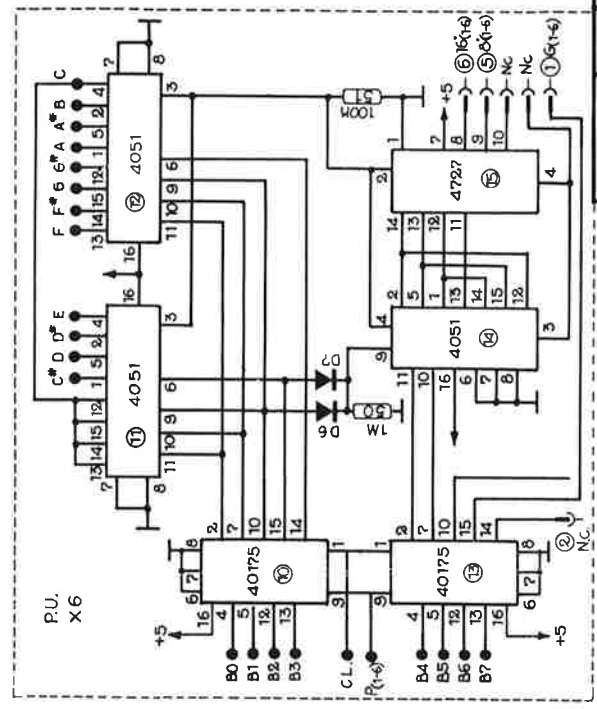
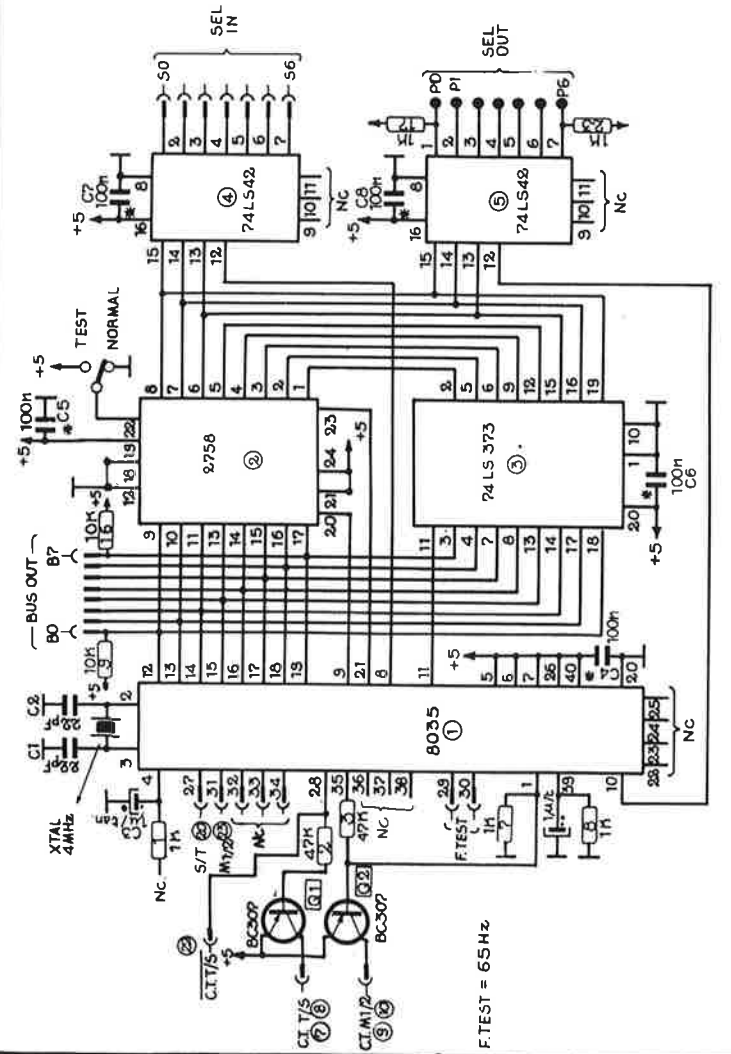
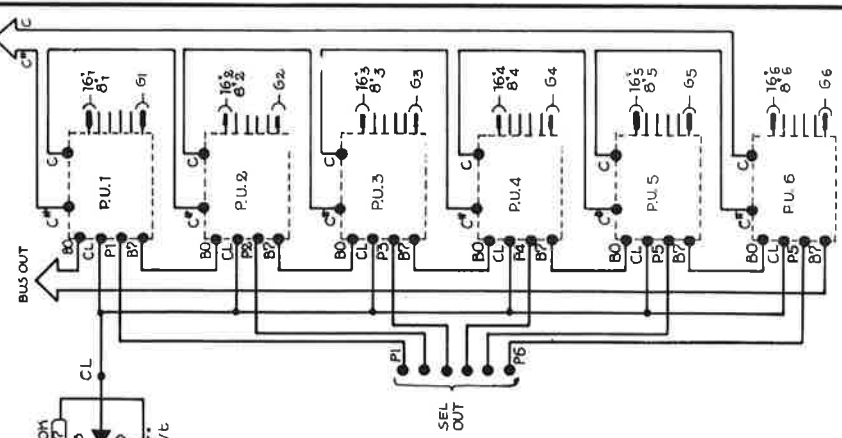
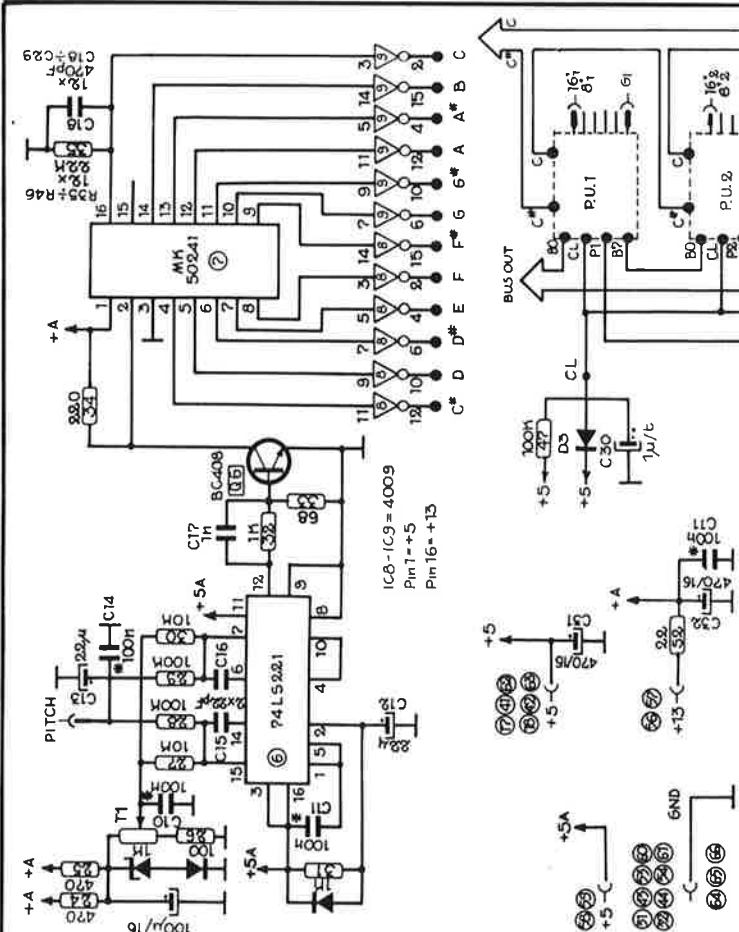
-5v = For BIG BAND only
R4, D2, C14, C15 = For
BIG BAND only.

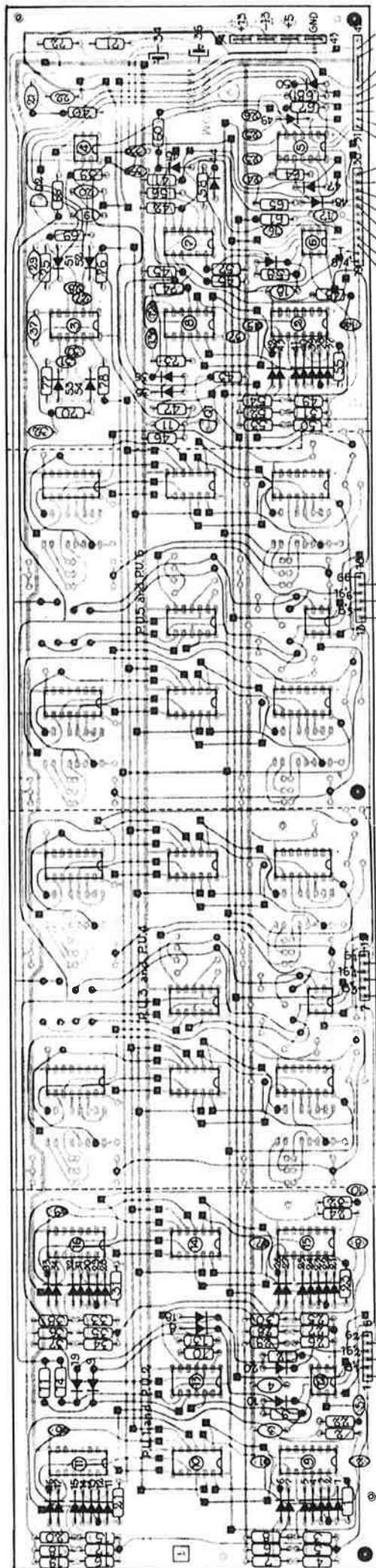




MOD 301







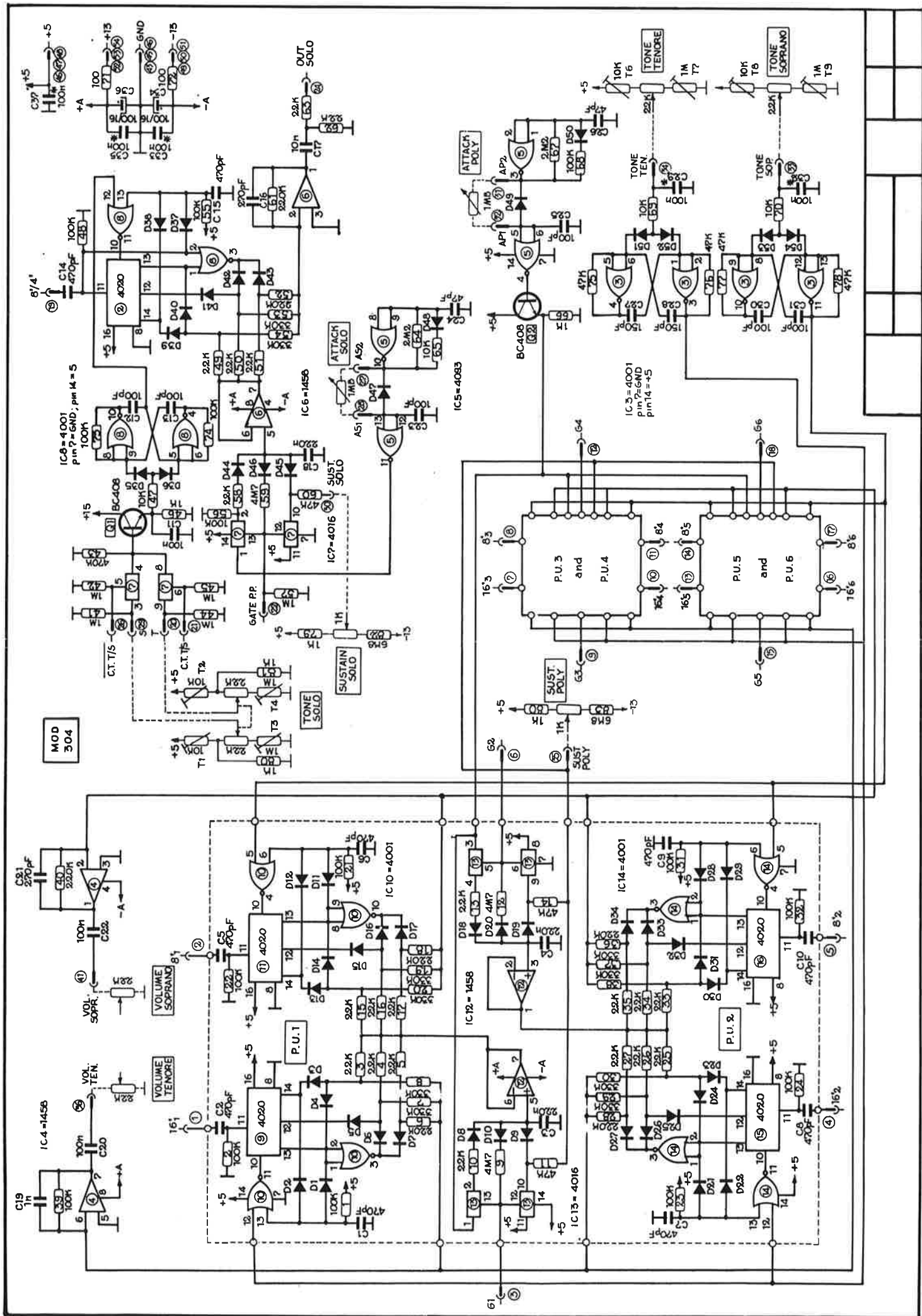
- VOL 50PR
- GND
- VOL TEN
- SUST. POLY
- tone TEN
- tone SOP
- AP1
- AP2
- SUST. SOLO
- S
- AS1
- AS2
- C.T T/S
- OUT 50:0
- GATE P.P.
- C.T T/S

- 86
- G5
- 165

MOD
304

- 84
- G3
- 163

- 82
- G1
- 161



MOD
304

IC8=4001
pin7=GND; pin14=5

IC5=4083

IC3=4001
pin7=GND
pin14=+5

IC6=1458

IC7=4016

IC4=1458

IC10=4001

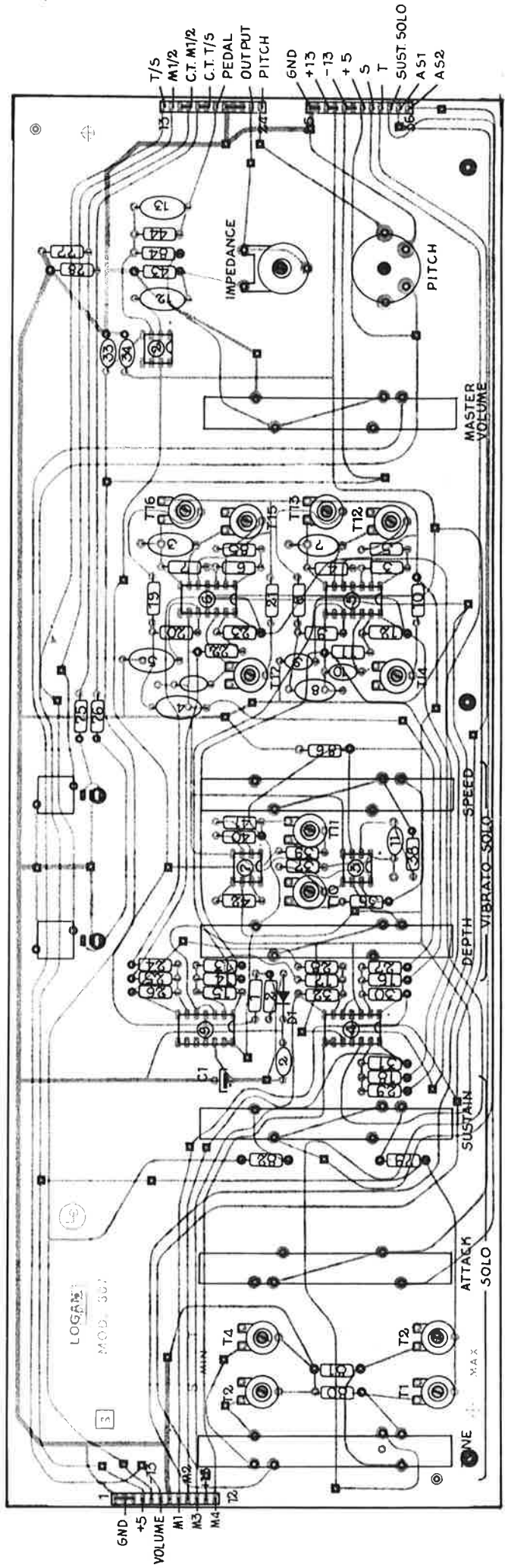
IC12=1458

IC14=4001

IC13=4016

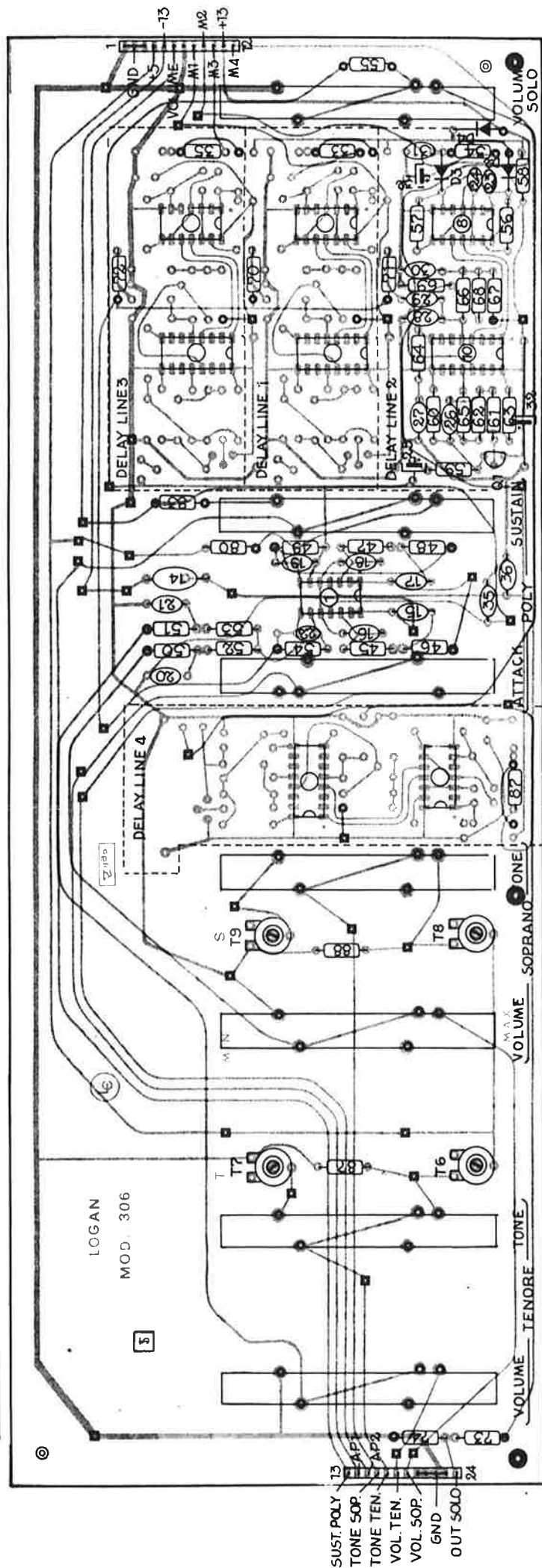
SOPRANO 1
TENORE 2

MONO 1
MONO 2



MOD 307

MOD 306



SUST. POLY 13
TONE SOP. 14
TONE TEN. 15
VOL. TEN. 16
VOL. SOP. 17
GND 18
OUT SOLO 19

