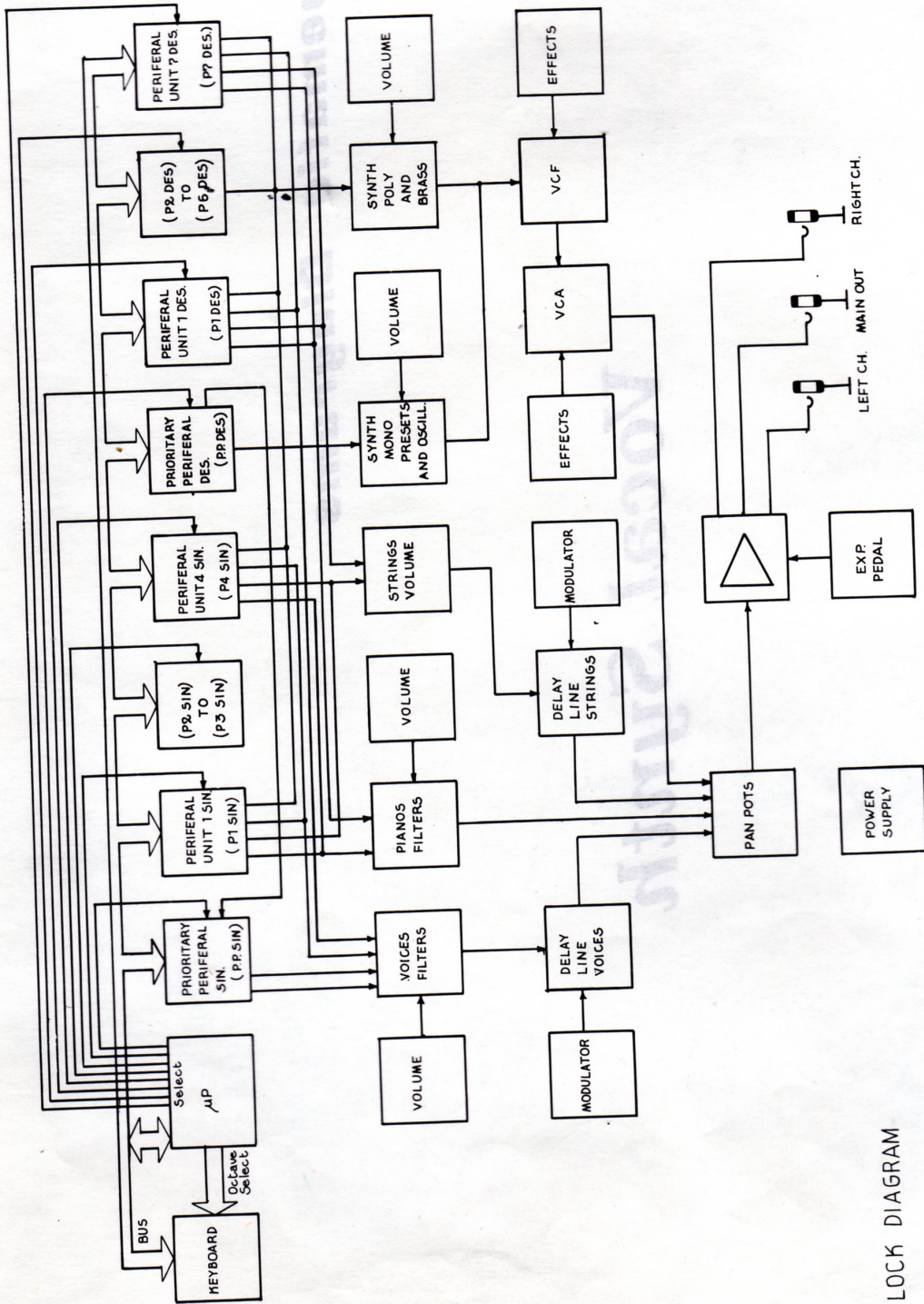


Le Logan electronics
S. P. I.

Schematic Diagrams

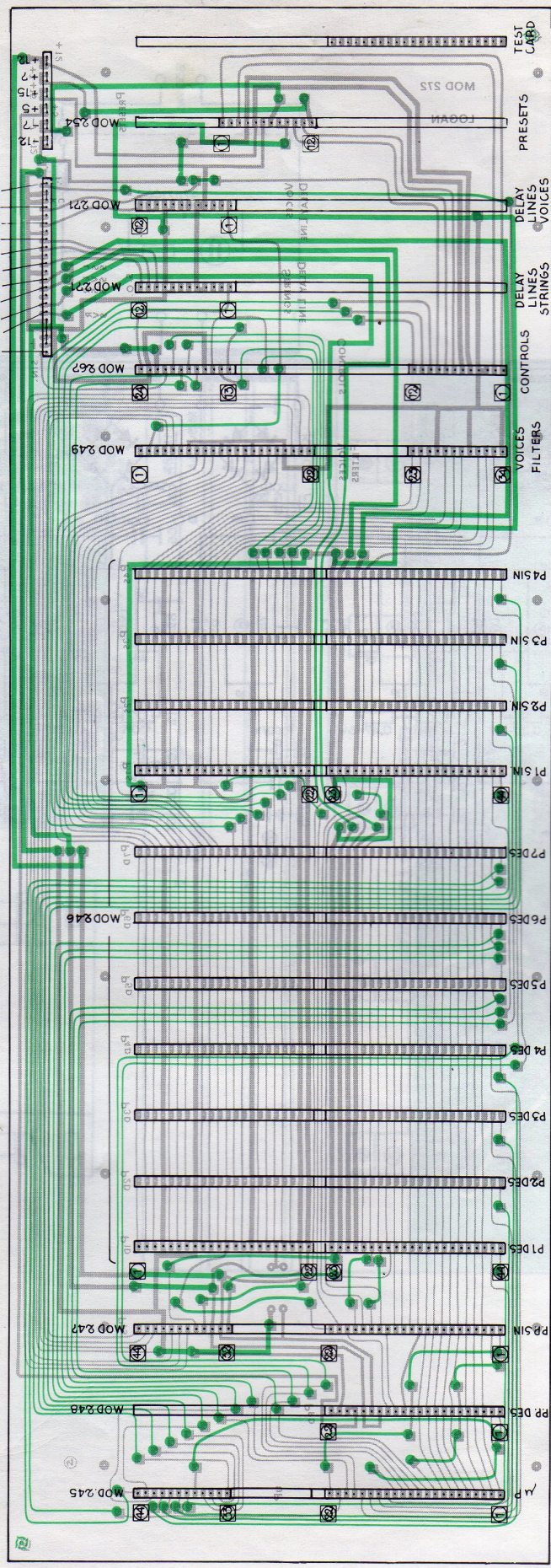
Vocal Synth

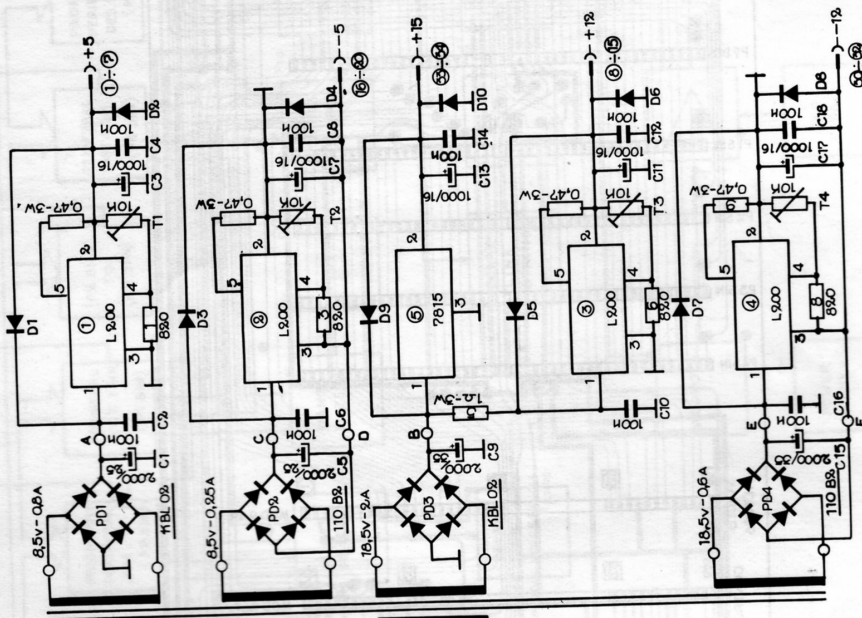


BLOCK DIAGRAM

- OUT SIN
- SUST VOICE (DES)
- SUST STR. (DES)
- SUST VOICE (SIN)
- SUST STR. (SIN)
- OUT STRINGS DL.
- ORG 2
- ORG 1
- OUT VOICES DL.
- KEY B. CONT.
- SUST PIANO ON OFF

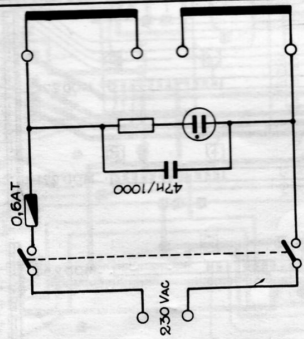
MOD 272



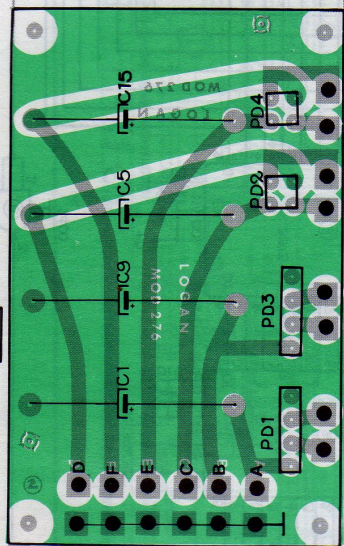


MOD 275

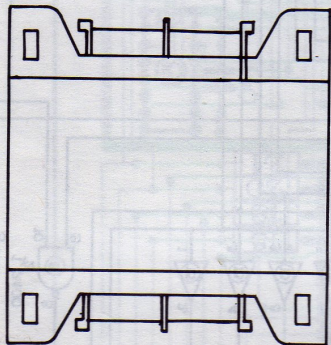
MOD 276



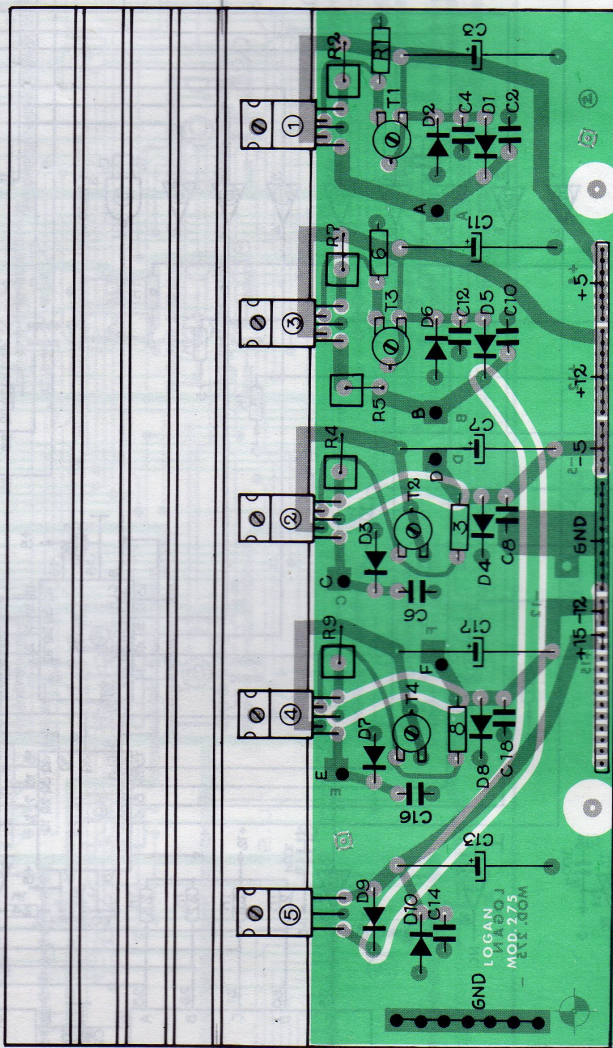
MOD 276

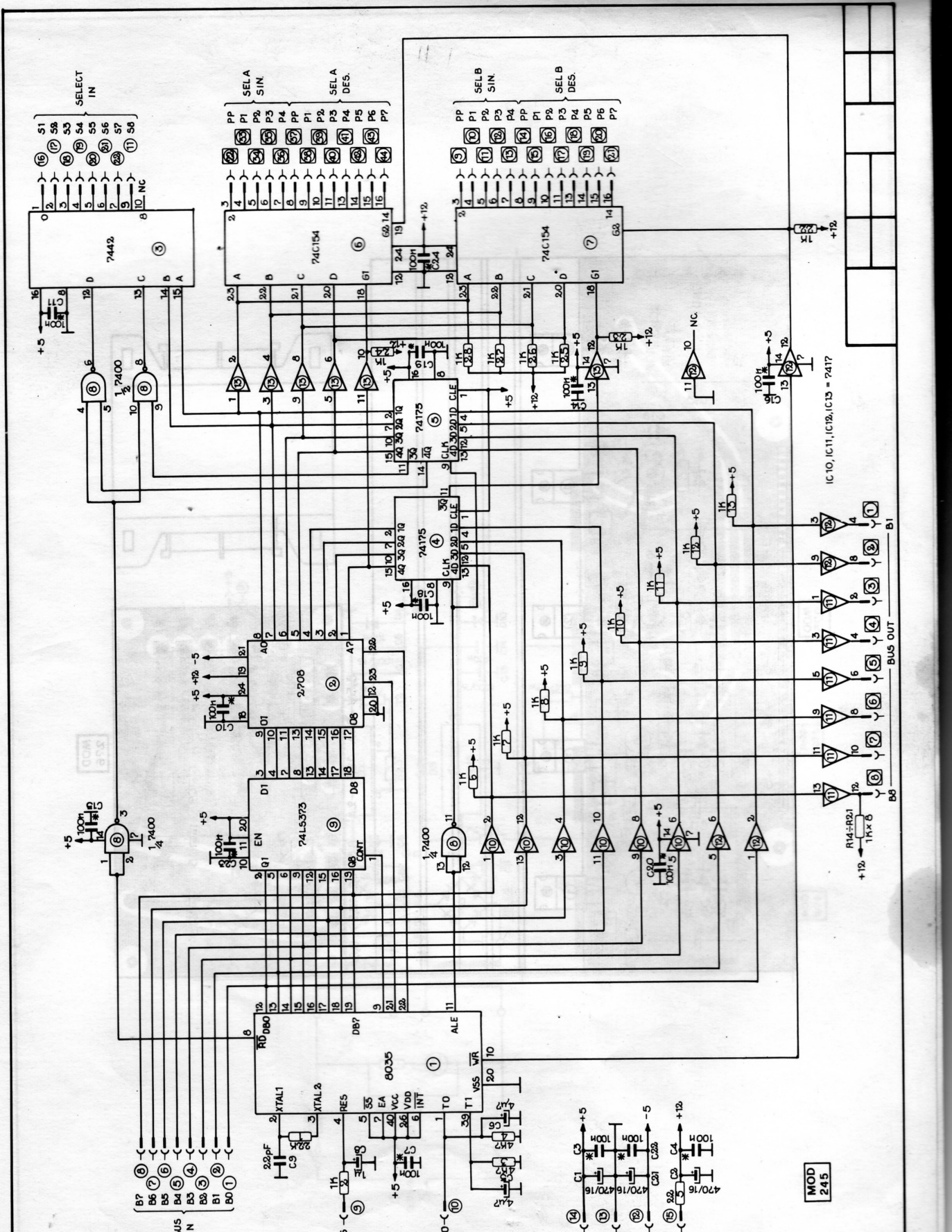


8.5V - 0.8A 18.5V - 2A 8.5V - 0.2A 18.5V - 0.6A

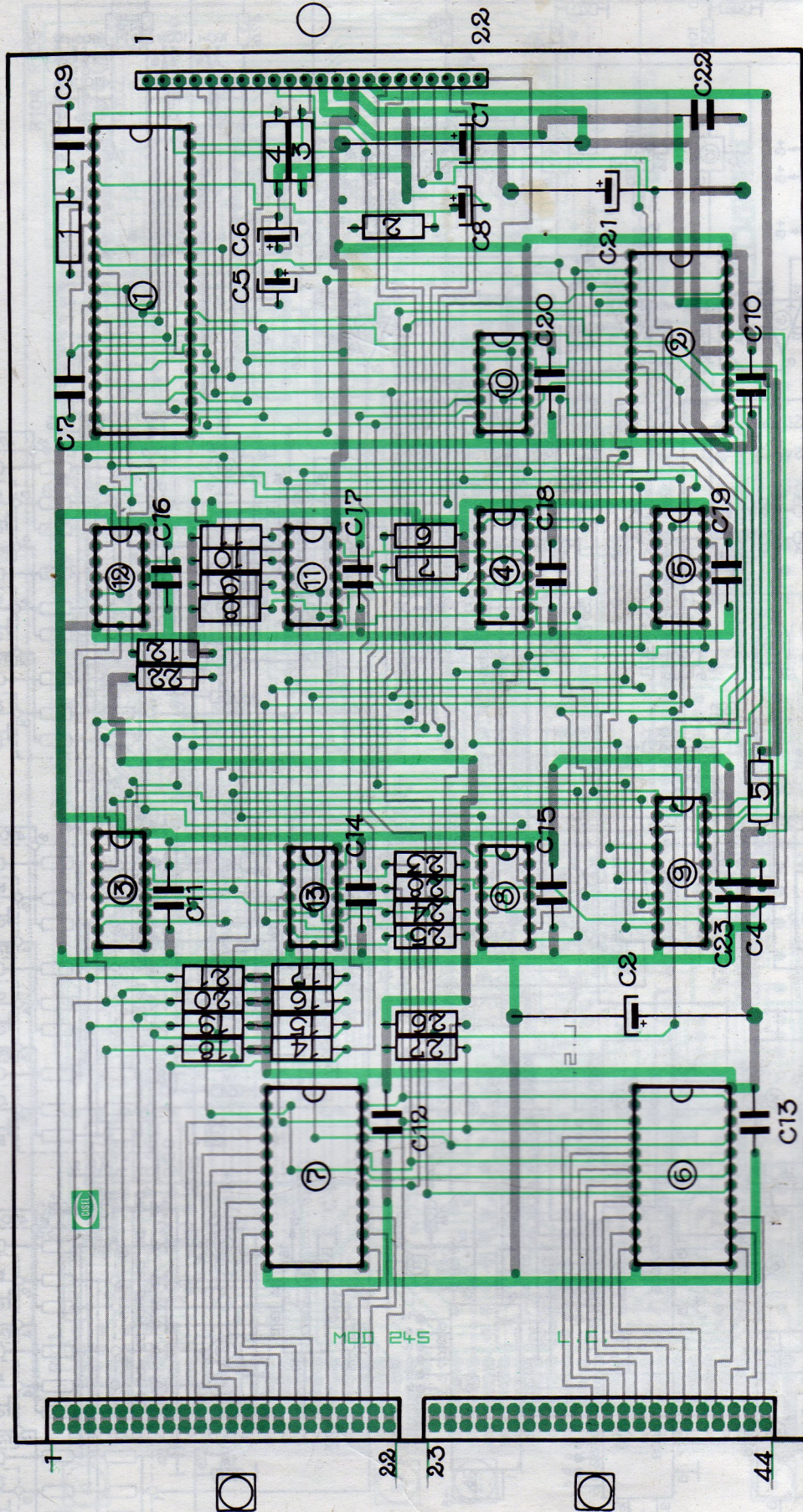


MOD 275

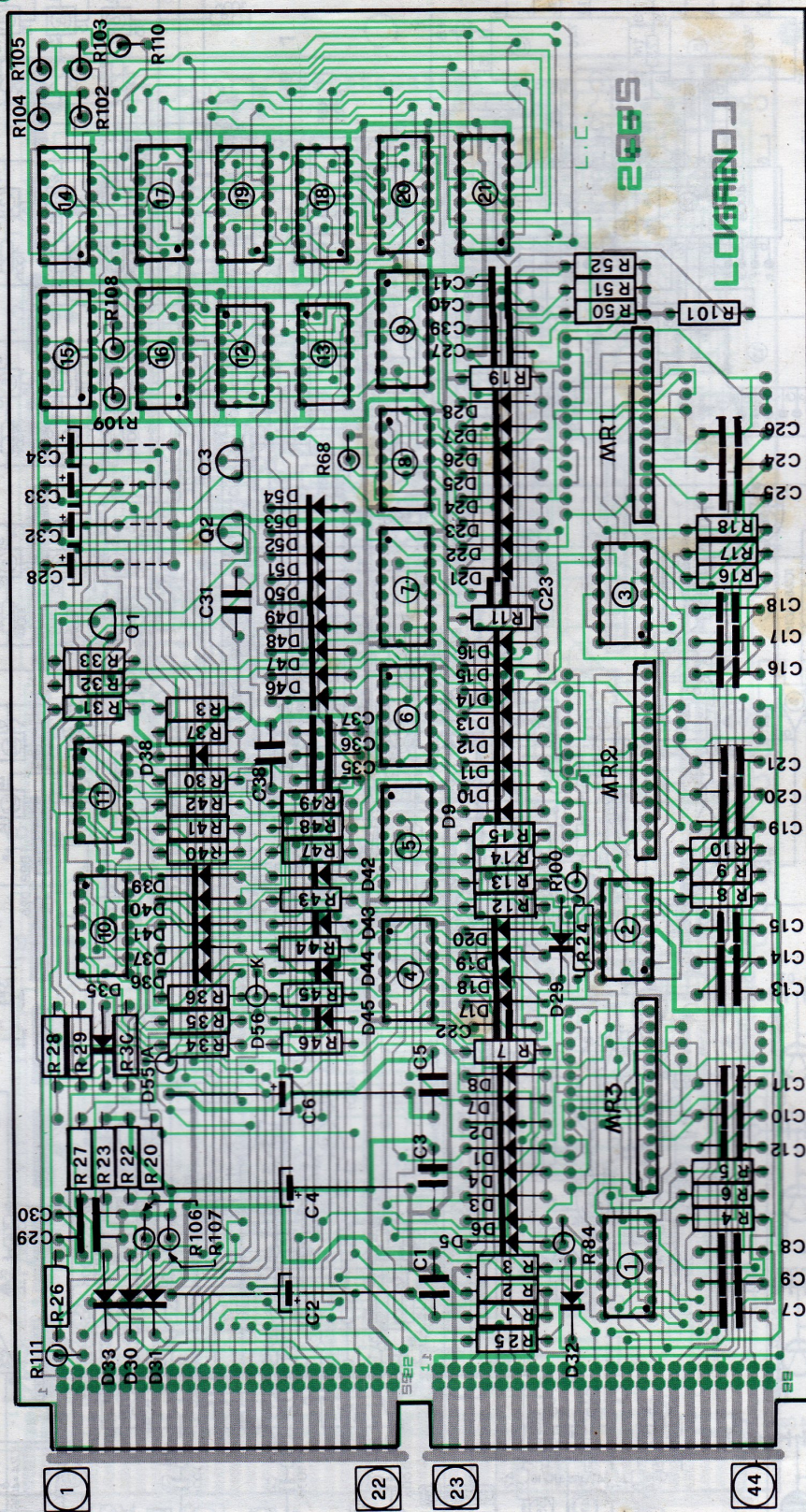




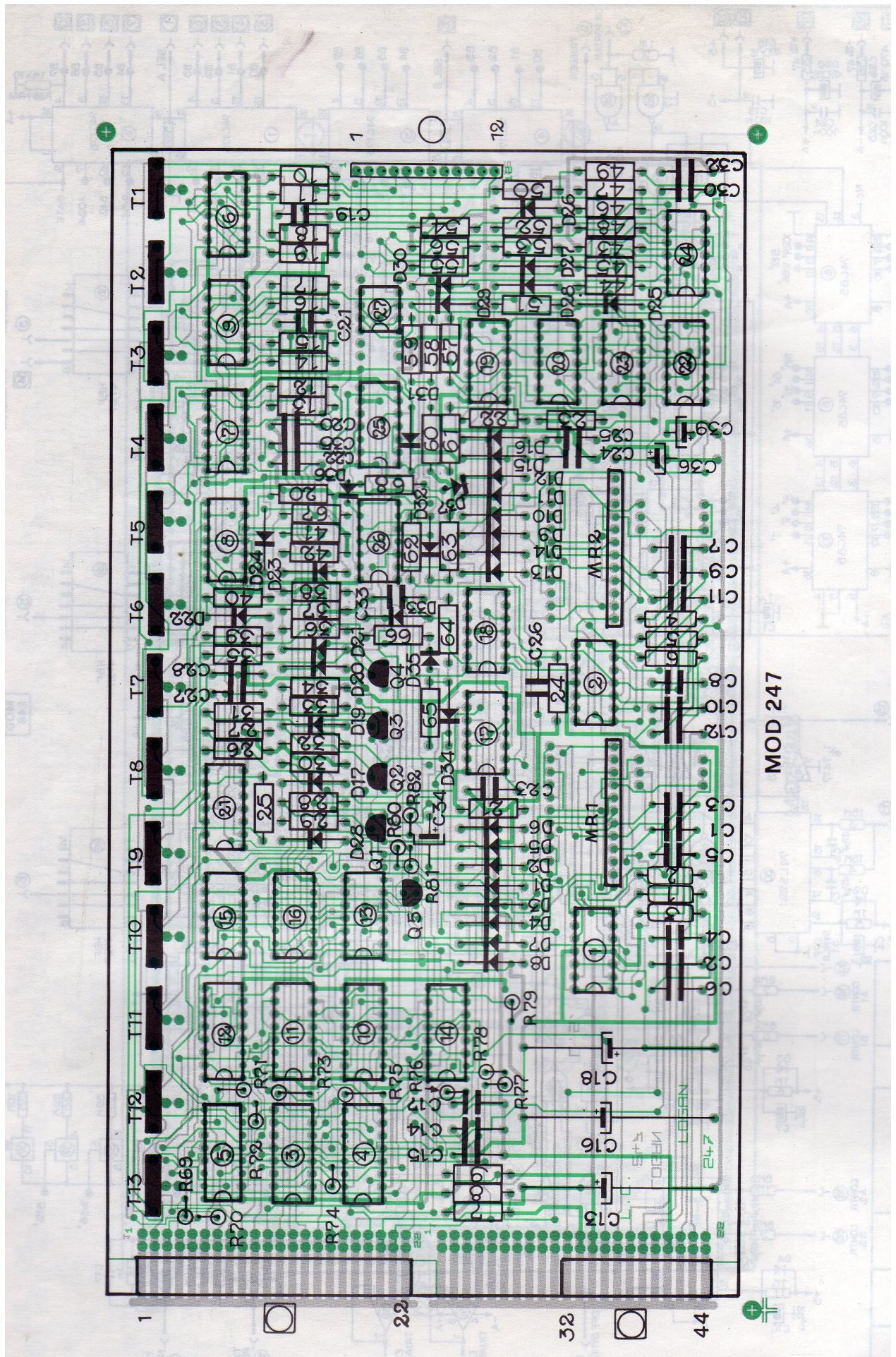
MOD
245



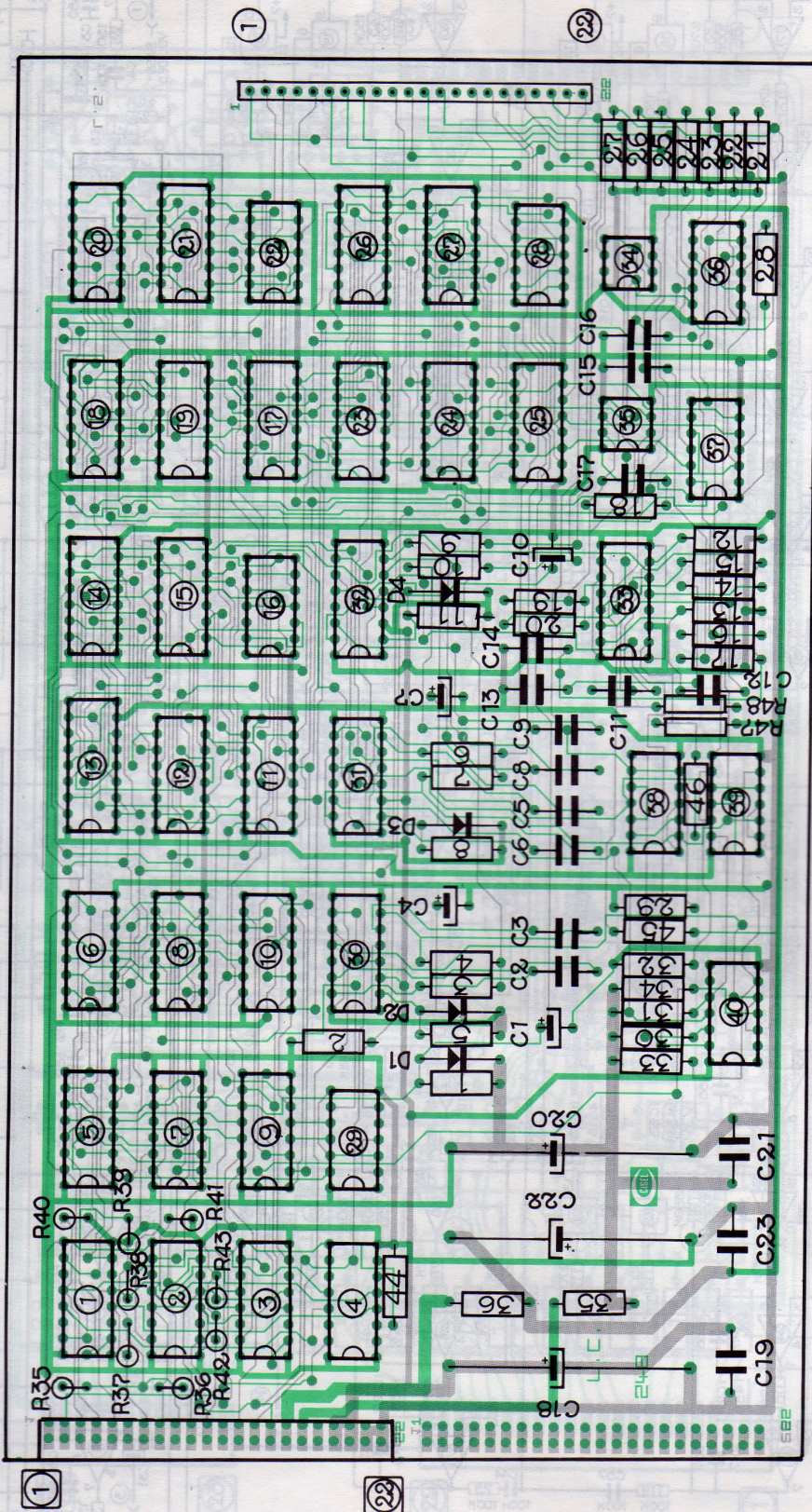
MOD 245



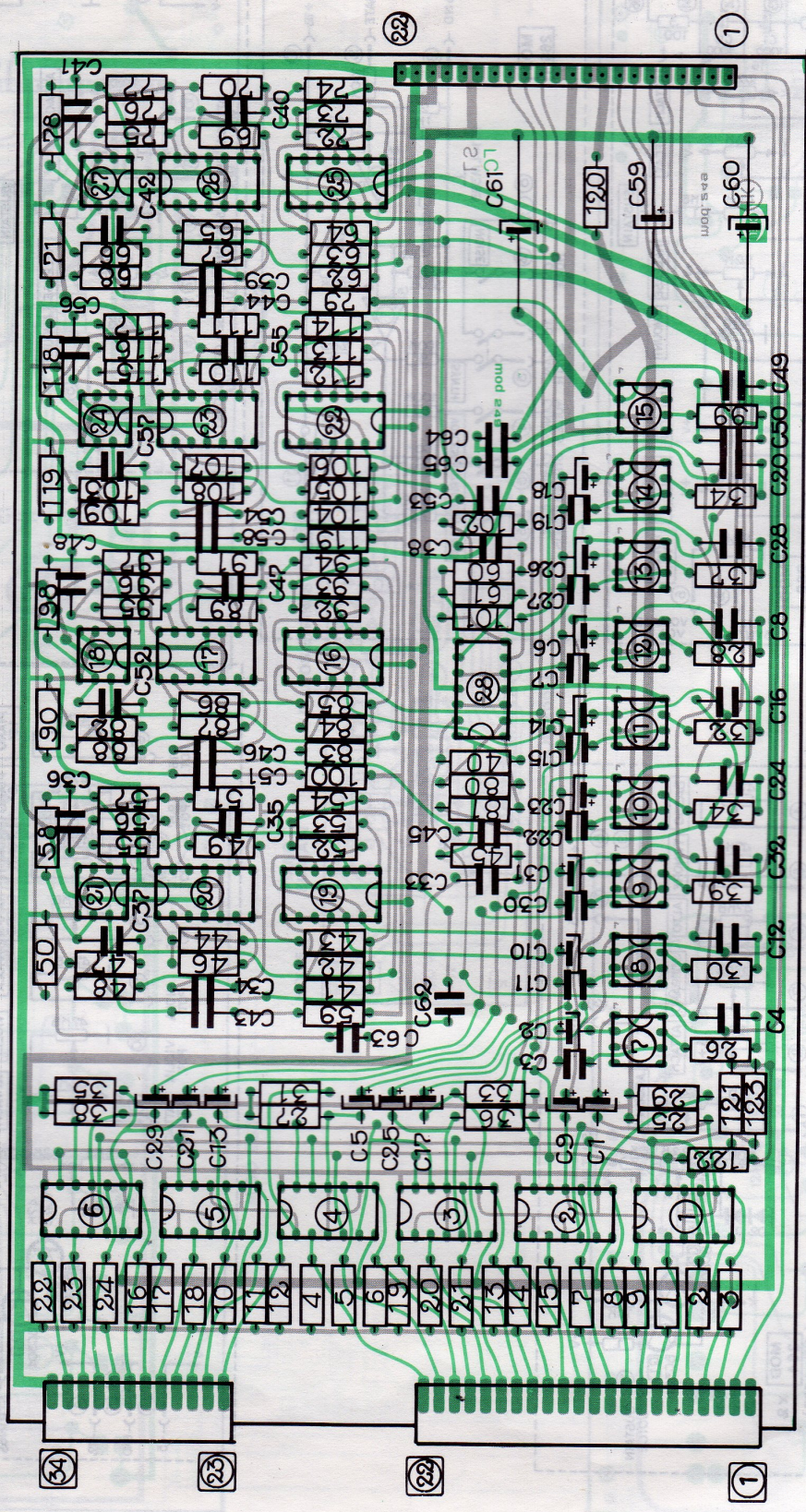
MOD 246



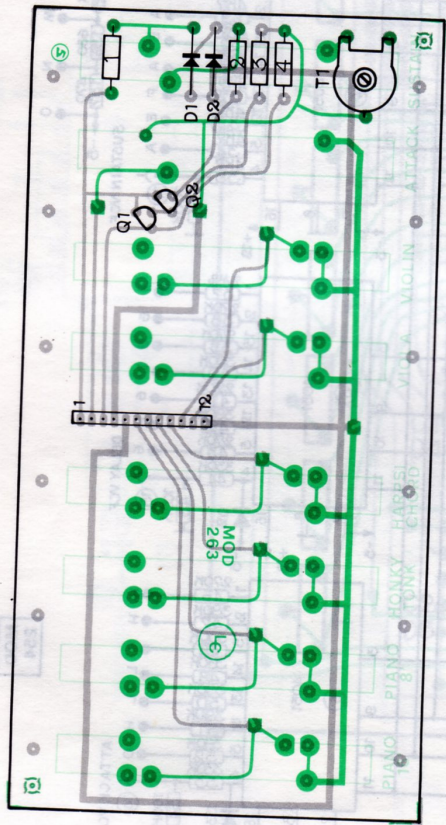
MOD 247



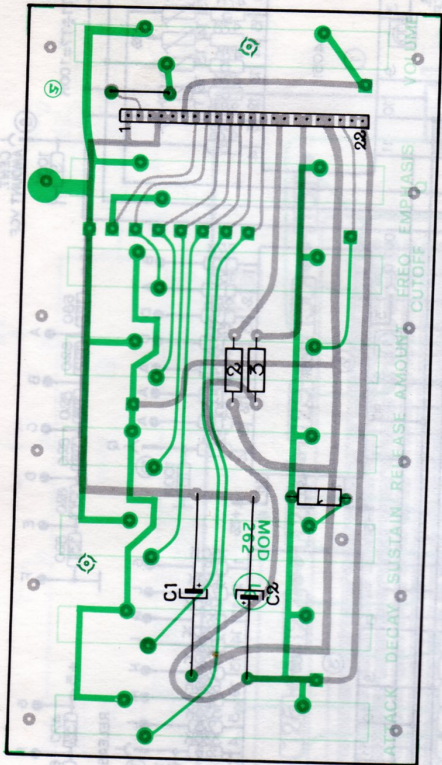
MOD 248



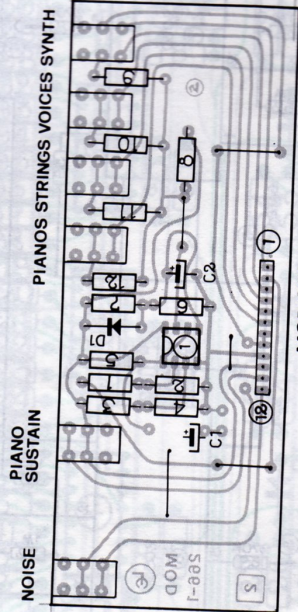
MOD 249



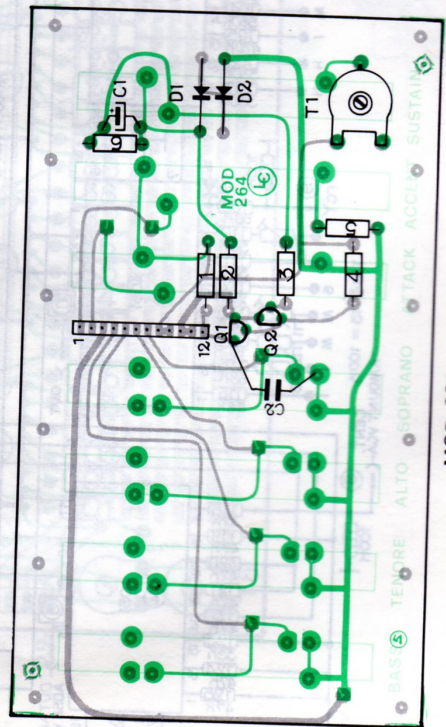
MOD 263



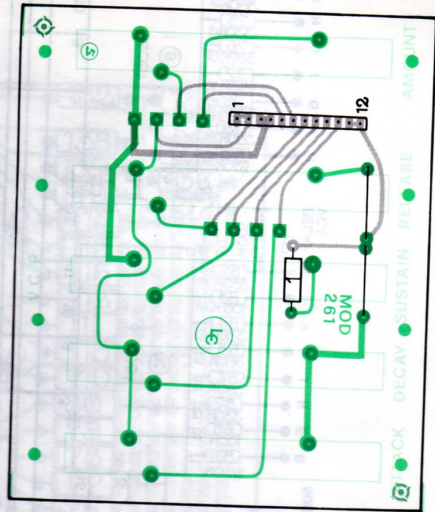
MOD 262



MOD 266-1

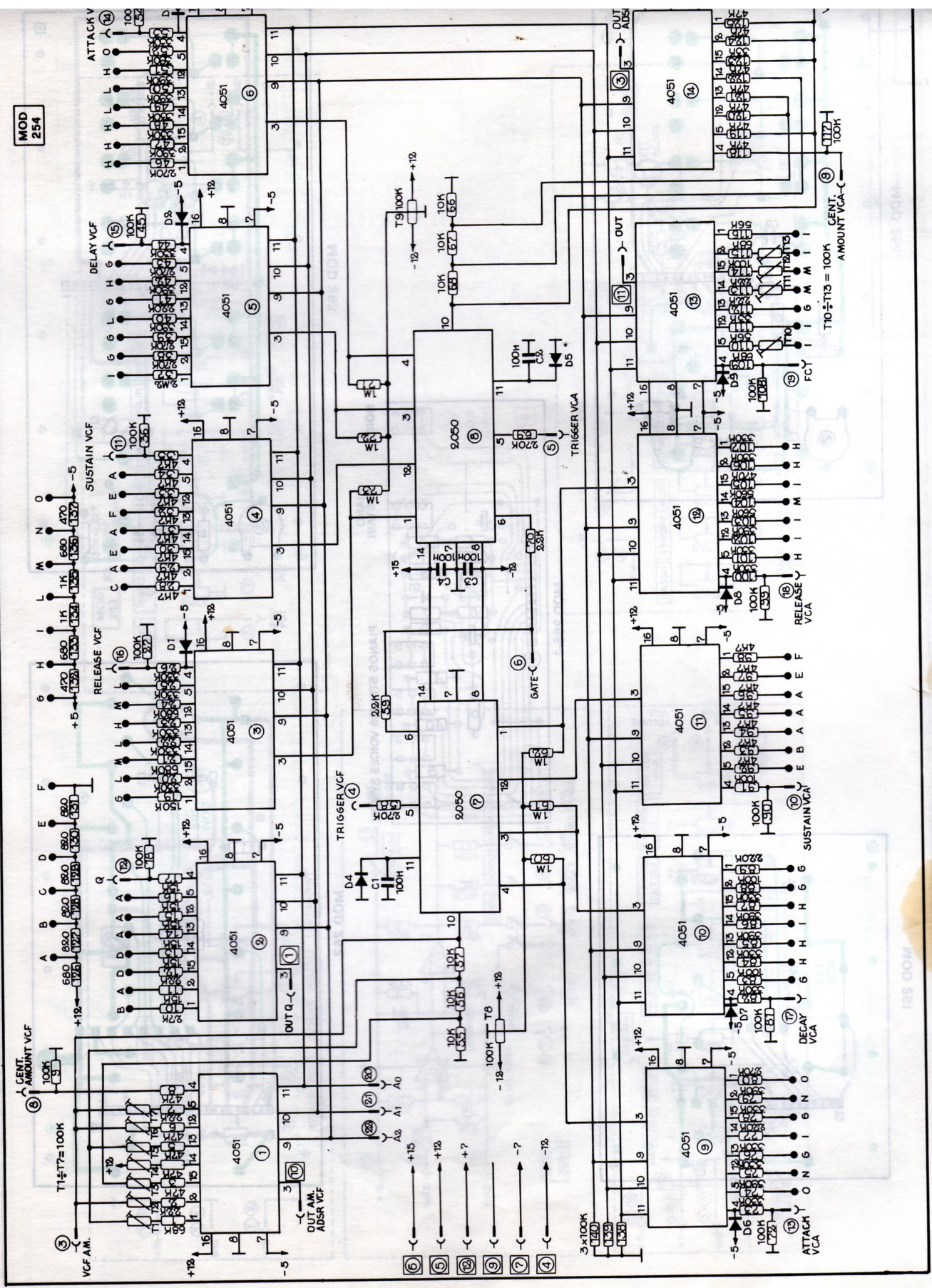


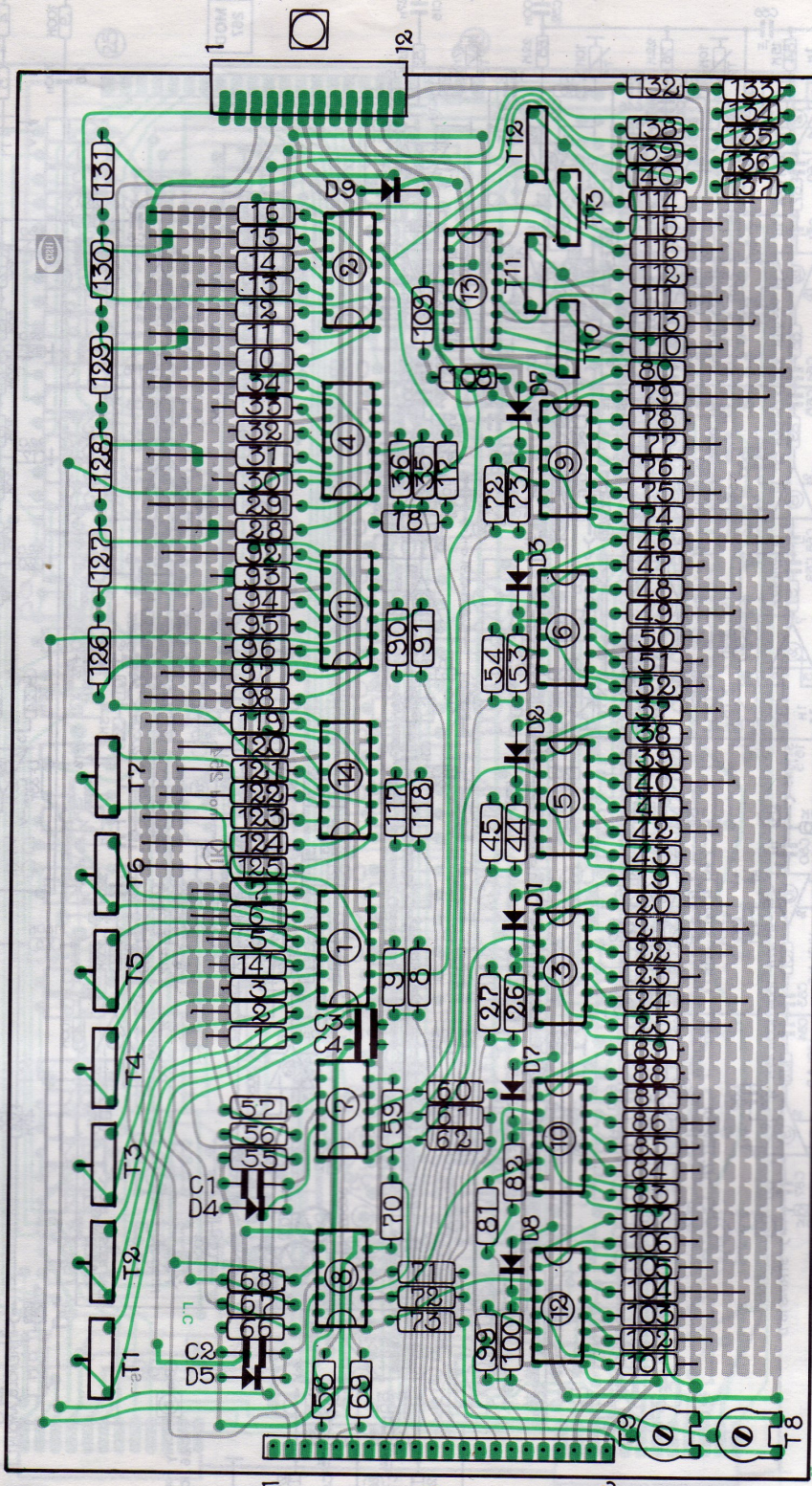
MOD 264



MOD 261

MOD 254



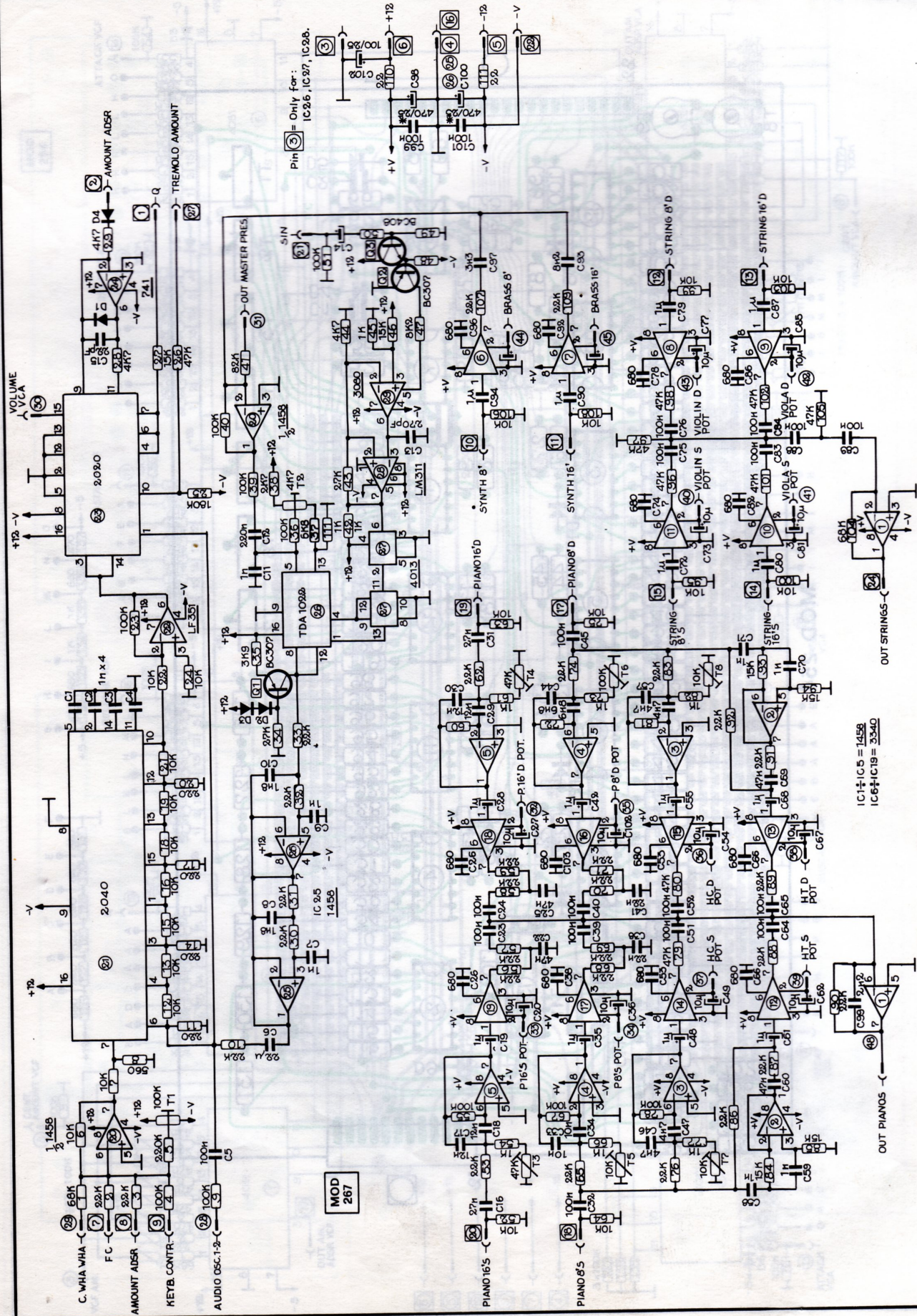


MOD 254

1



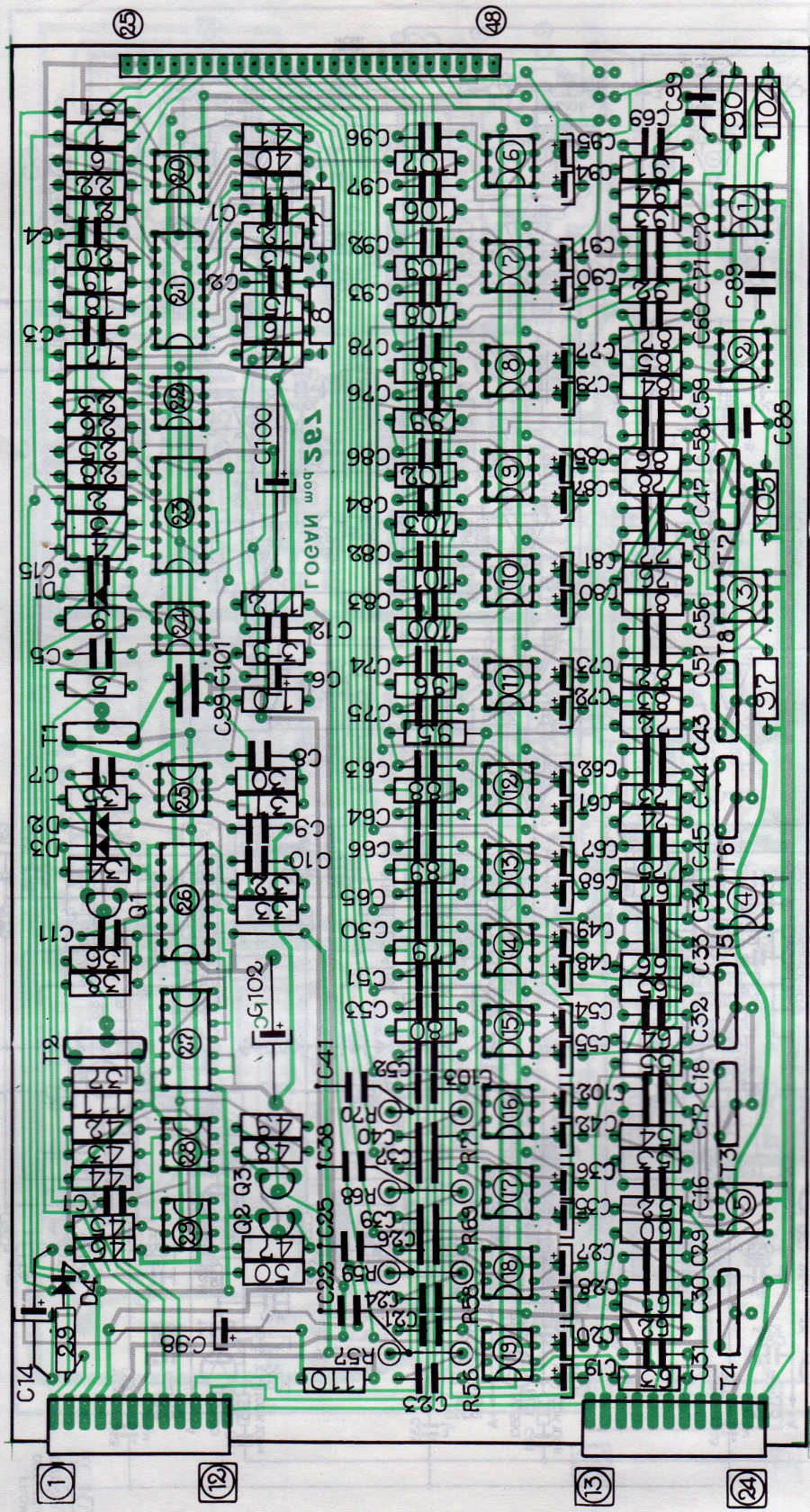
2,2



Pin ③ = Only for:
 IC296, IC297, IC298.

MOD 287

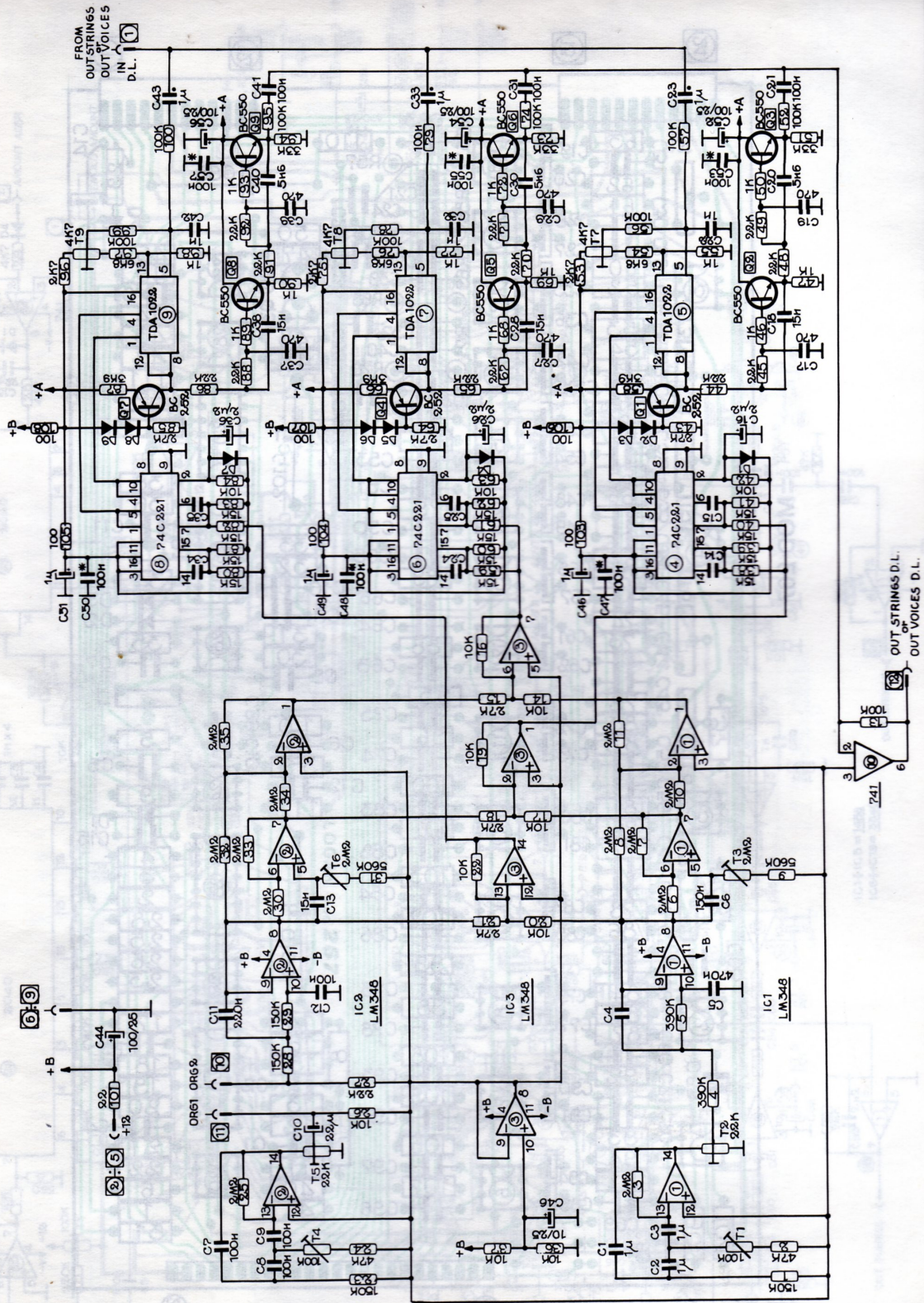
IC1+IC5 = 1458
 IC6+IC19 = 3340

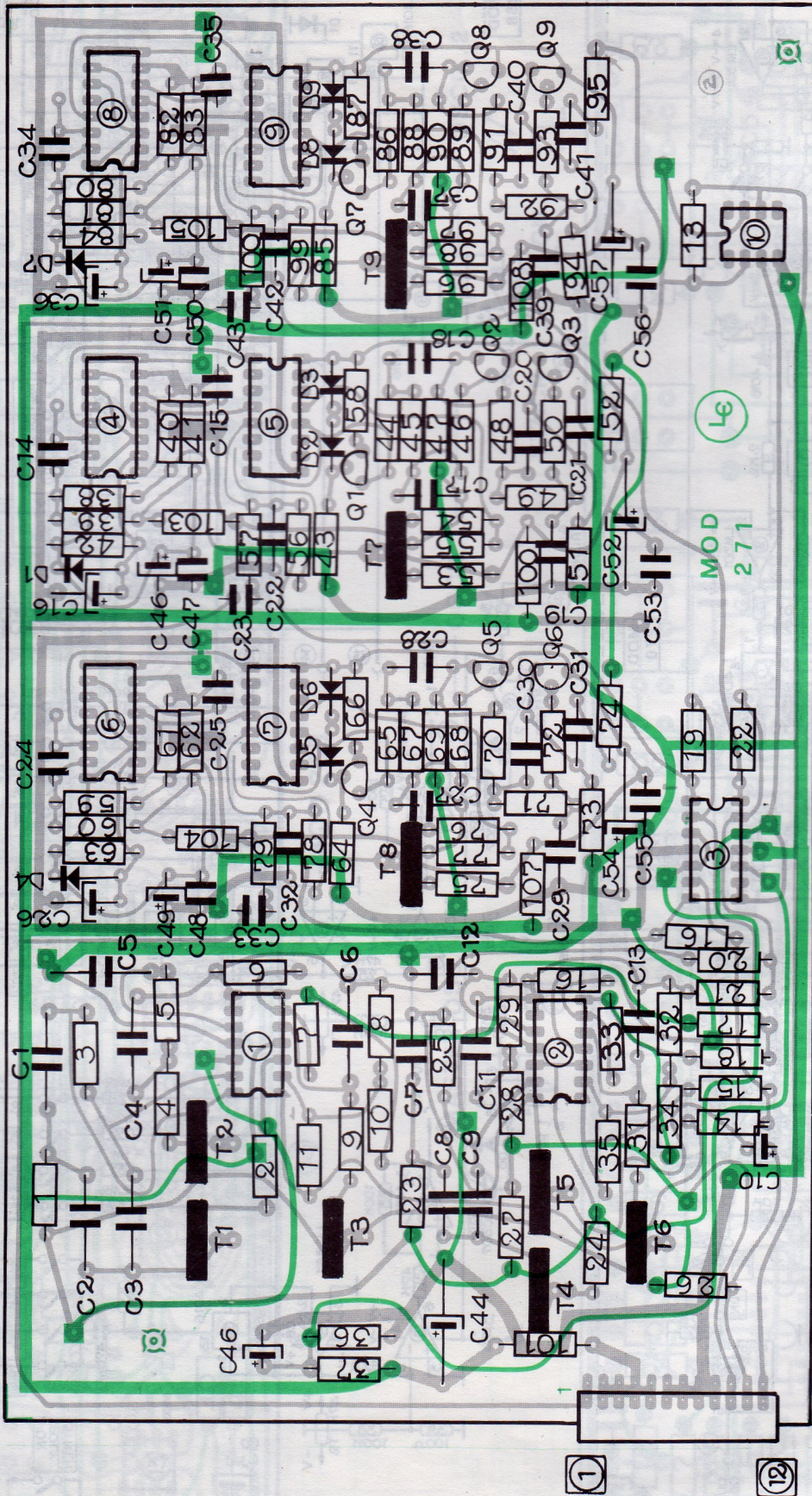


MOD 267

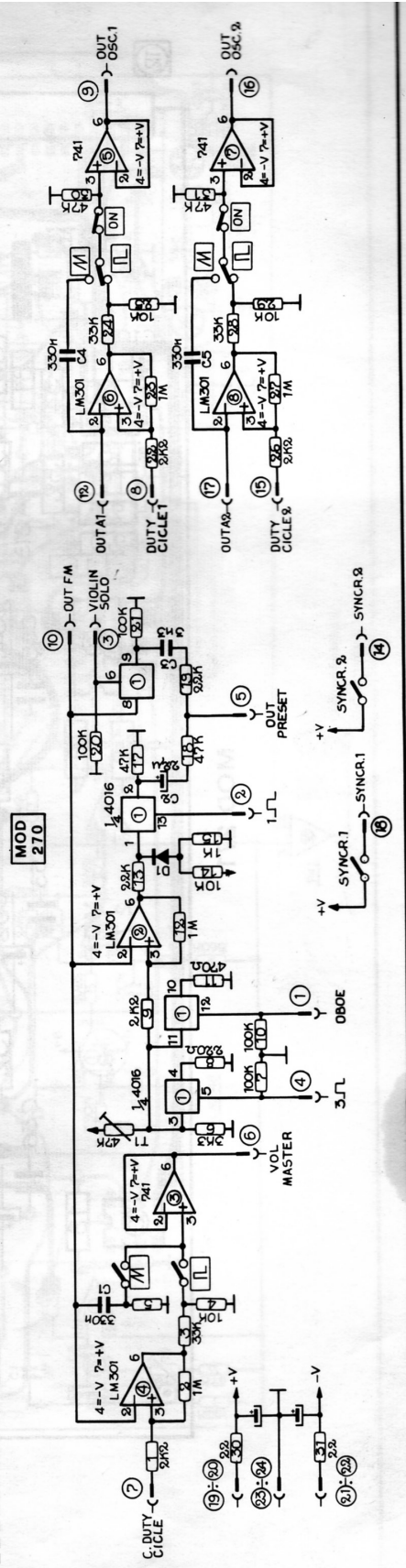
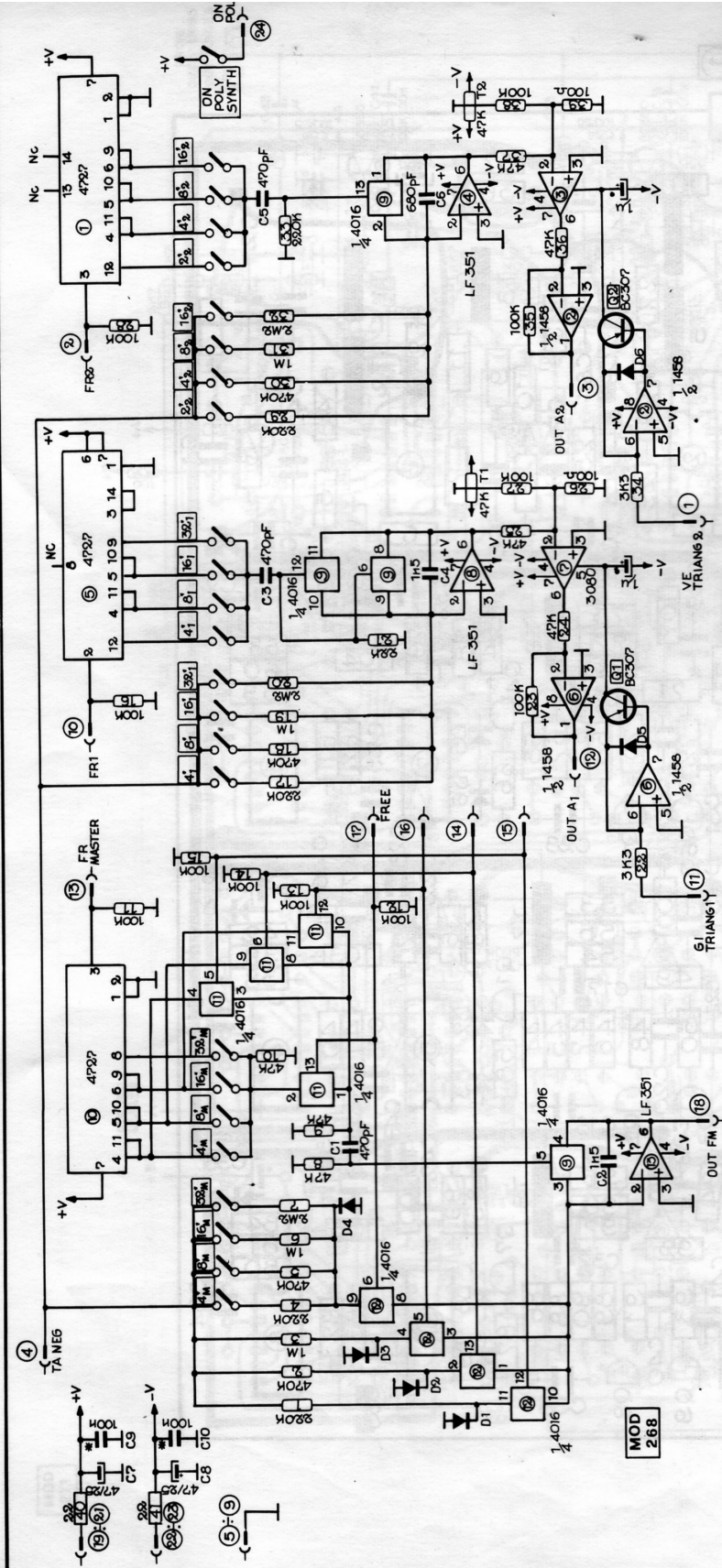
1.0 20M12T2 T200
1.10 20M10V T200

MOD
271





MOD 271



POLY.SYNTH
ON

MASTER OSC.

4'

8'

16'

32'

OSC. 1

4'

8'

16'

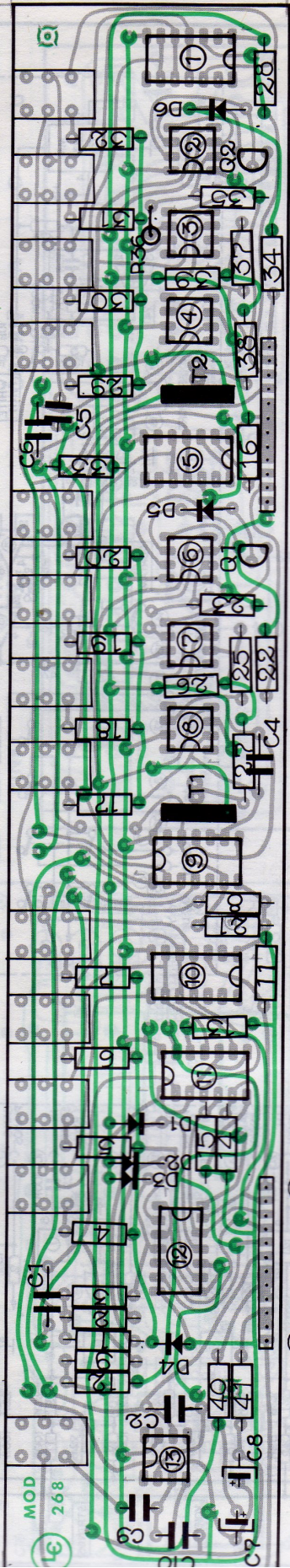
OSC. 2

4'

8'

16'

2'



MOD 268

MASTER OSC.

4'

8'

16'

OSC. 1

4'

8'

16'

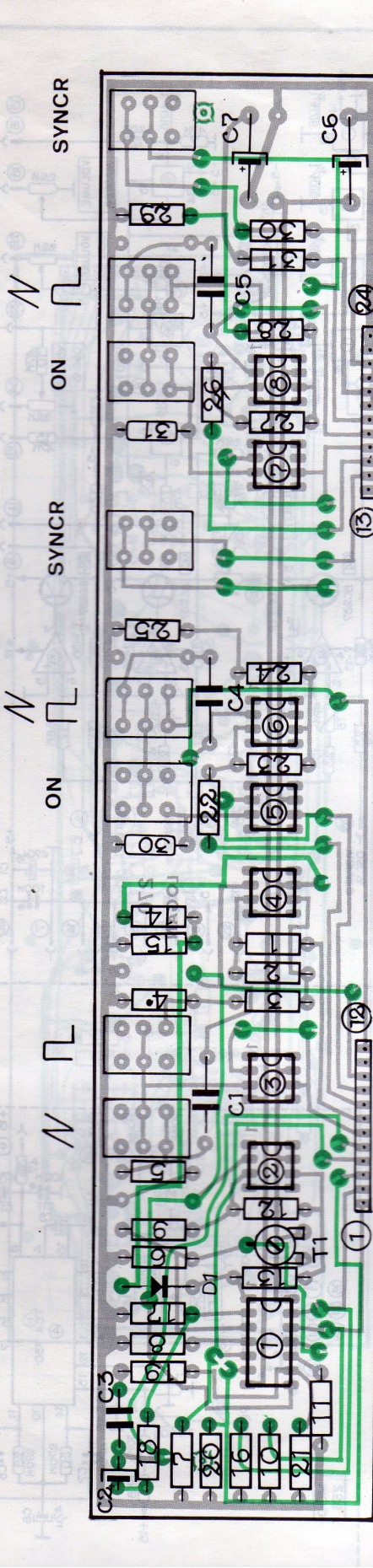
OSC. 2

4'

8'

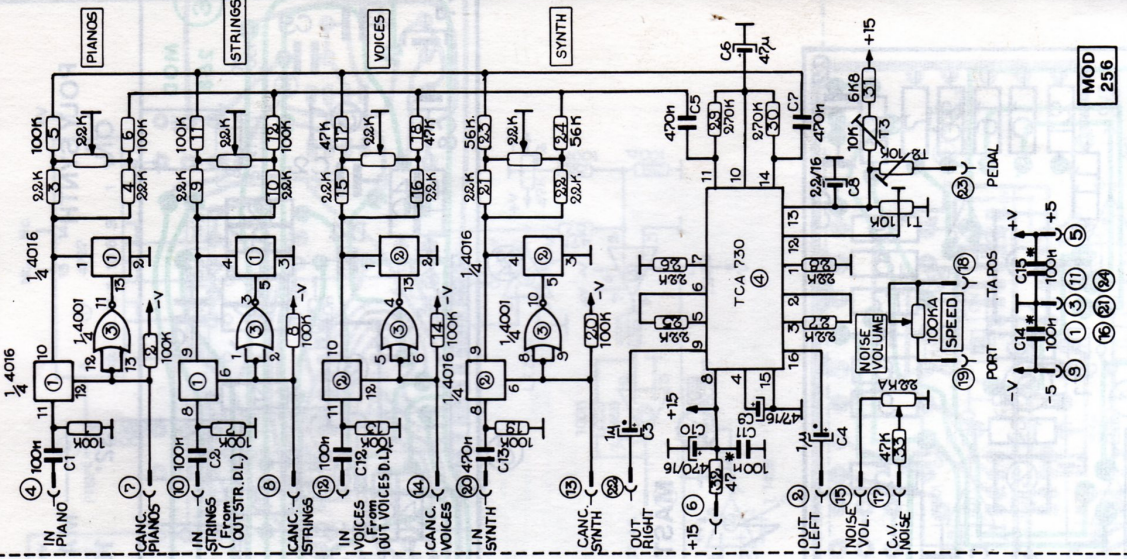
16'

2'

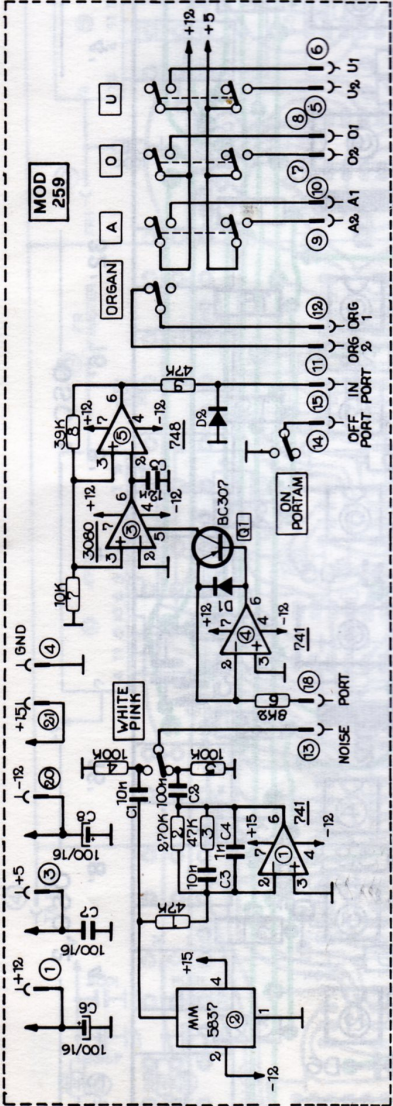


MOD 270

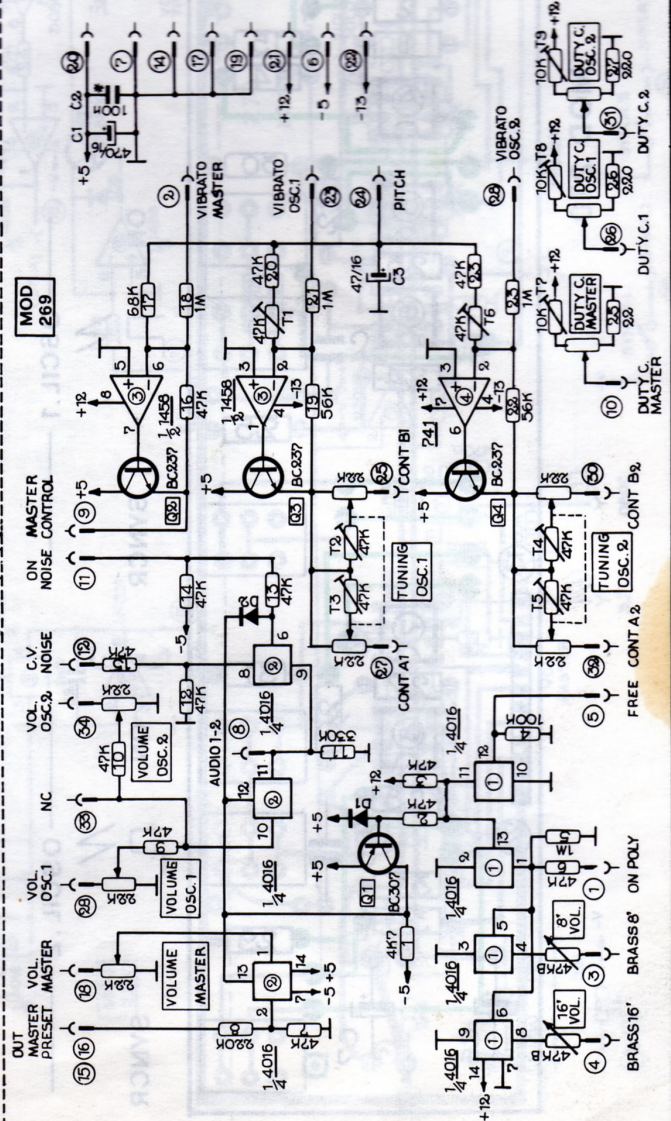
PAN POTS.



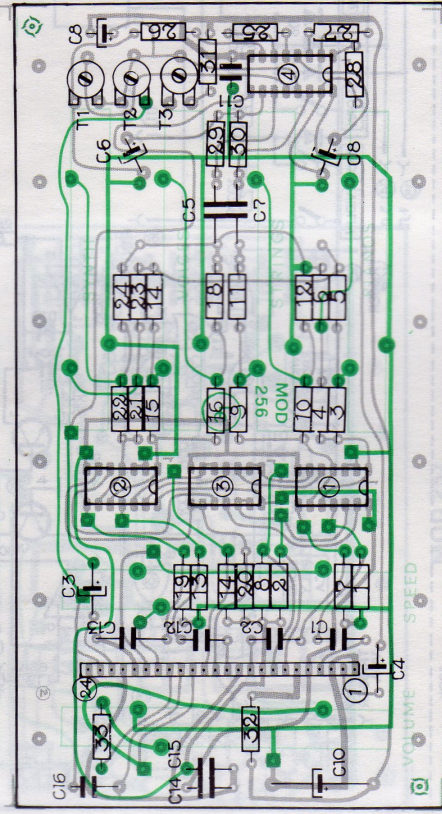
MOD 256



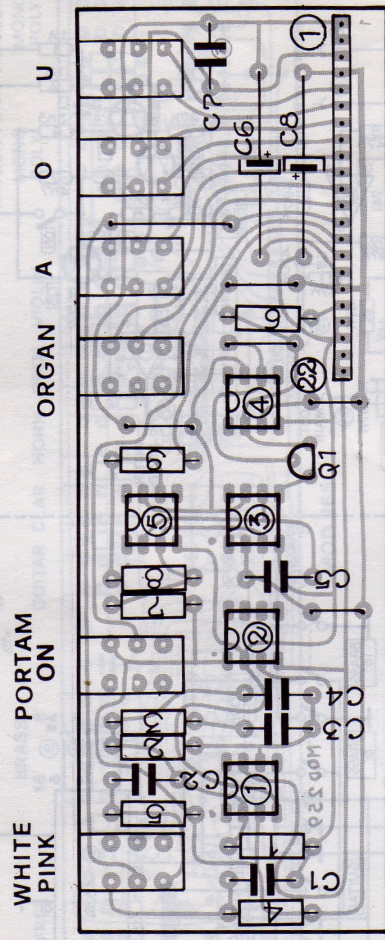
MOD 259



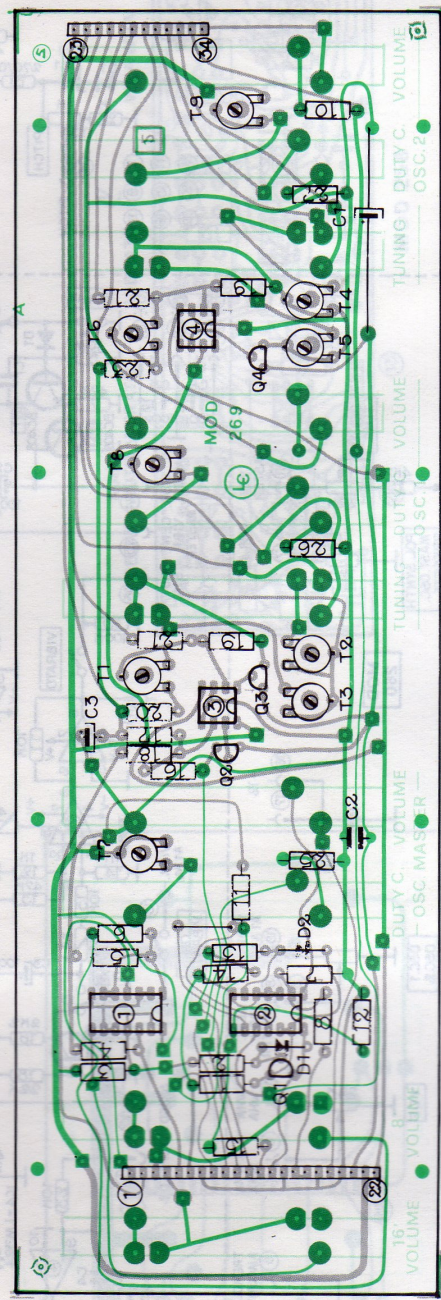
MOD 269



MOD 256

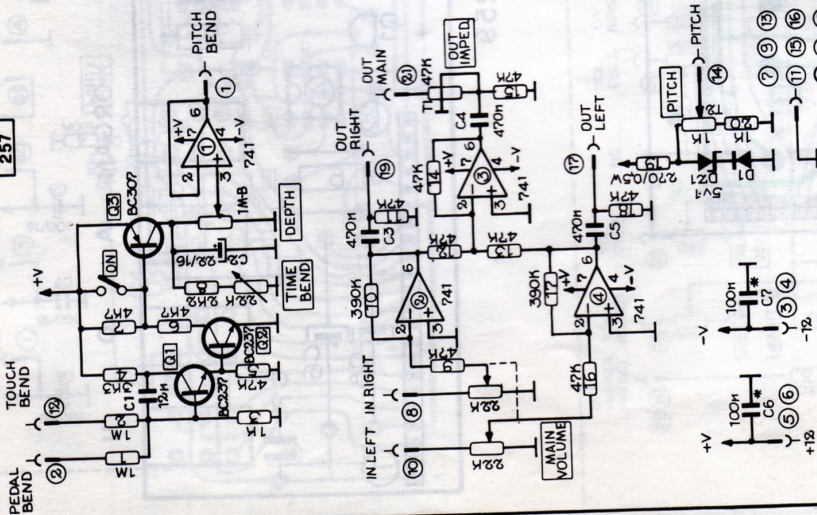


MOD 259

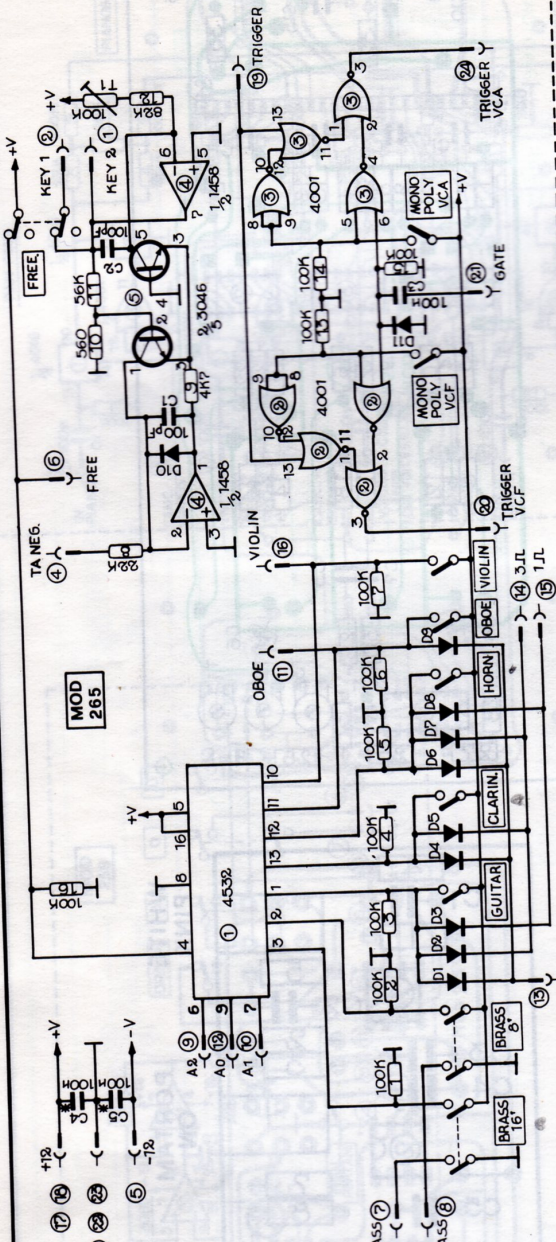


MOD 269

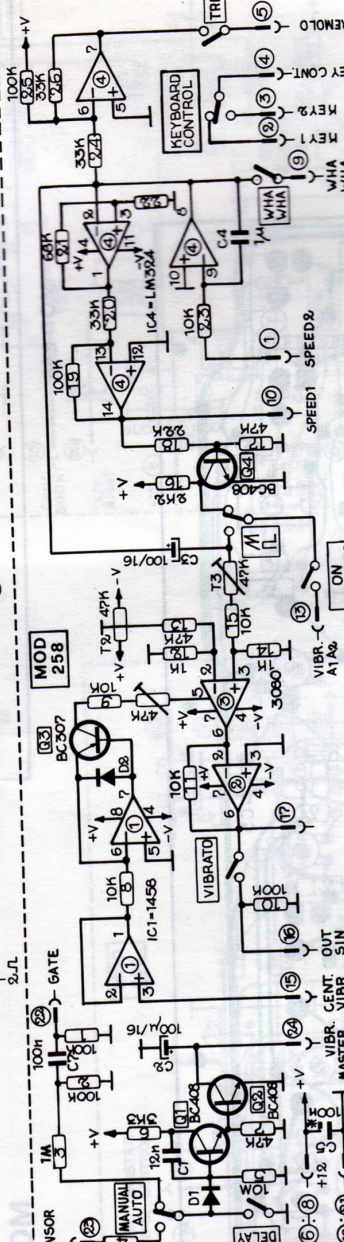
MOD 257



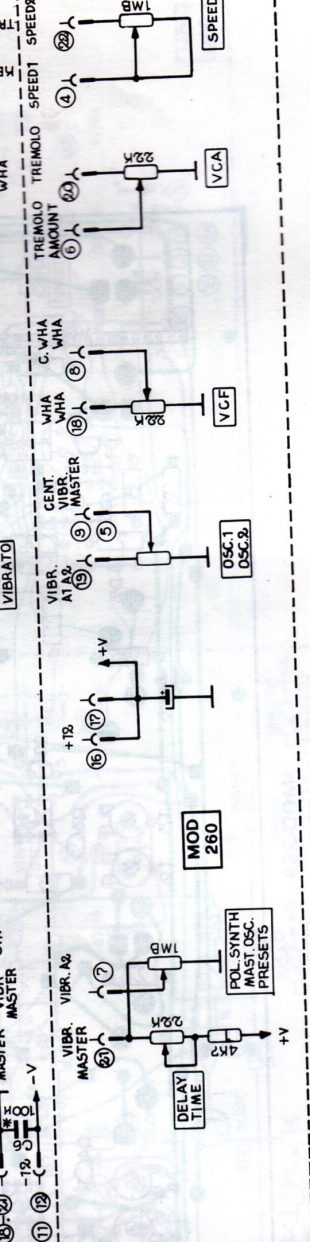
MOD 265



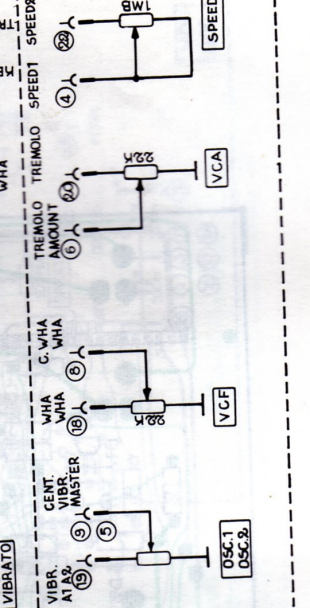
MOD 258



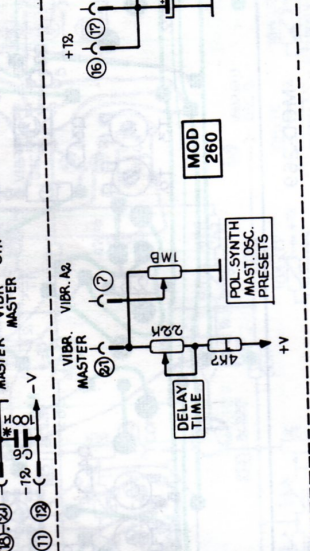
MOD 260



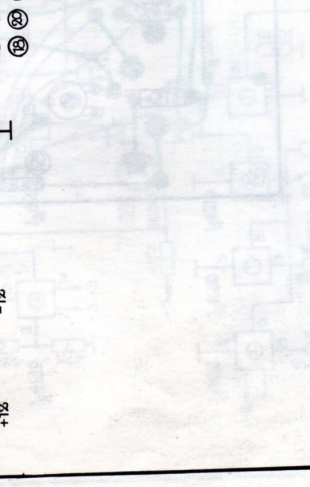
MOD 262



MOD 263

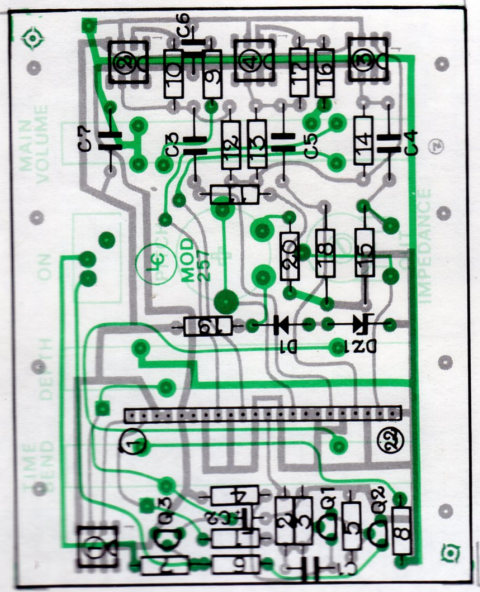


MOD 264

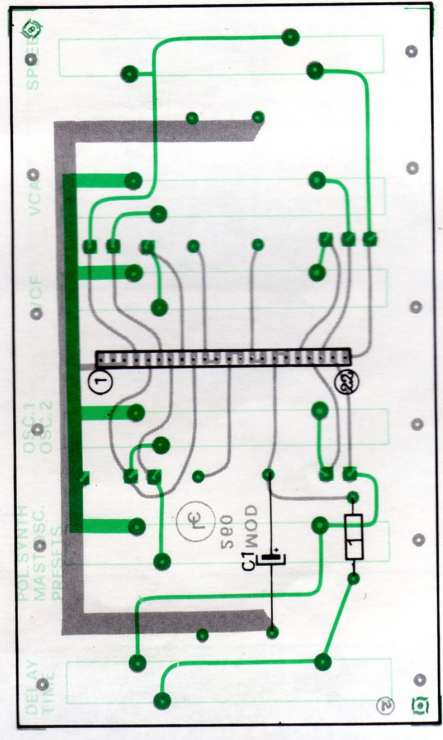


MOD 266

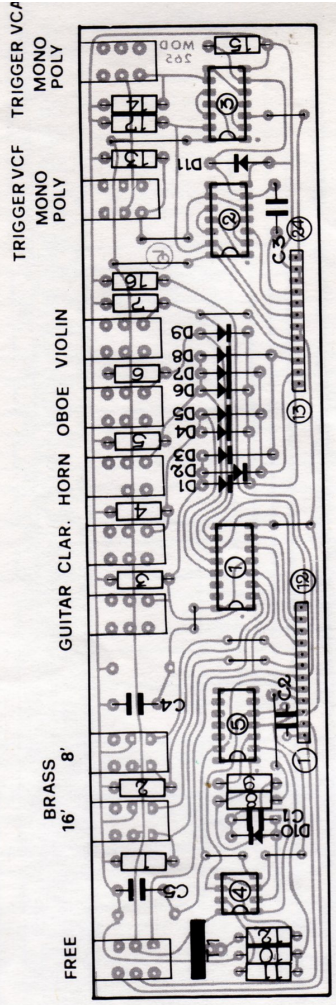




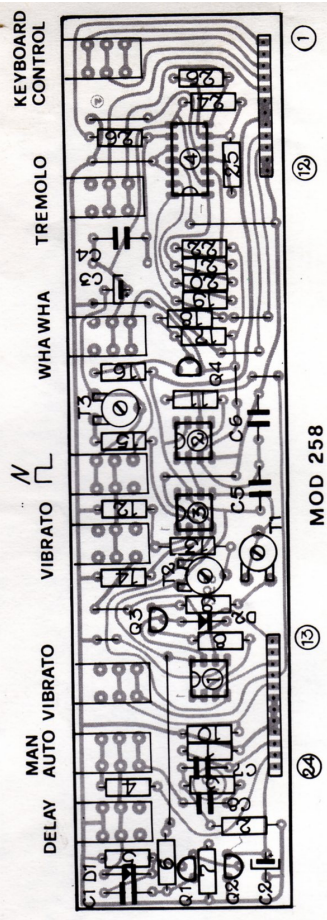
MOD 257



MOD 260



MOD 265



MOD 258

