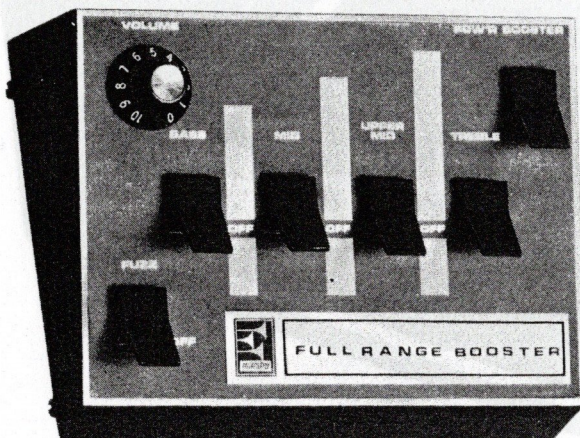
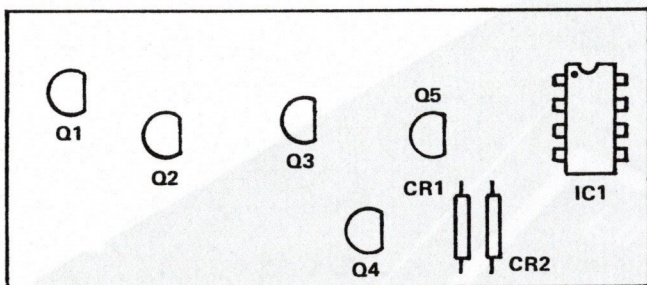
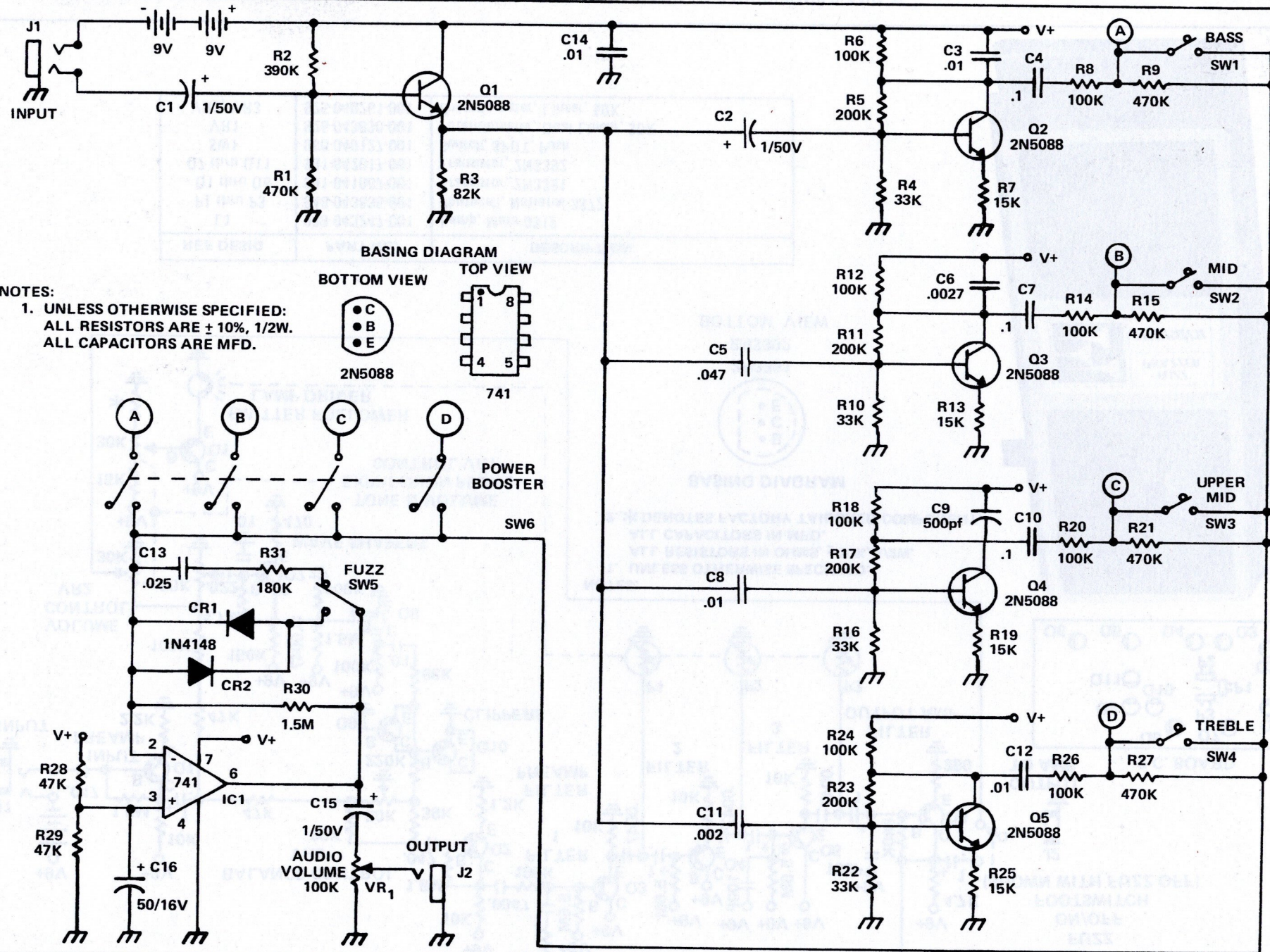


REF DESIG	PART NO.	DESCRIPTION
CR1, CR2	919-041075-001	Diode, 1N4148
IC1	991-041101-001	Integrated Circuit, 741
J1	910-041306-004	Jack, .250", 3 Conductor
J2	910-041306-001	Jack, .250", 2 Conductor
Q1 thru Q5	991-043180-001	Transistor, 2N5088
SW1 thru SW5	960-043048-001	Switch, Slide with Toggle Handle, SPDT
SW6	960-043849-001	Switch, Slide with Toggle Handle, 4PDT
VR1	925-043256-001	Potentiometer, Audio, 10K

### P.C. BOARD





FULL RANGE BOOSTER MODEL FRB-1