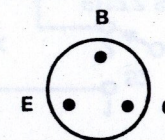


NOTES:

1. UNLESS OTHERWISE SPECIFIED:
ALL RESISTORS IN OHMS, 1/2W, $\pm 10\%$.
ALL CAPACITORS IN MFD.

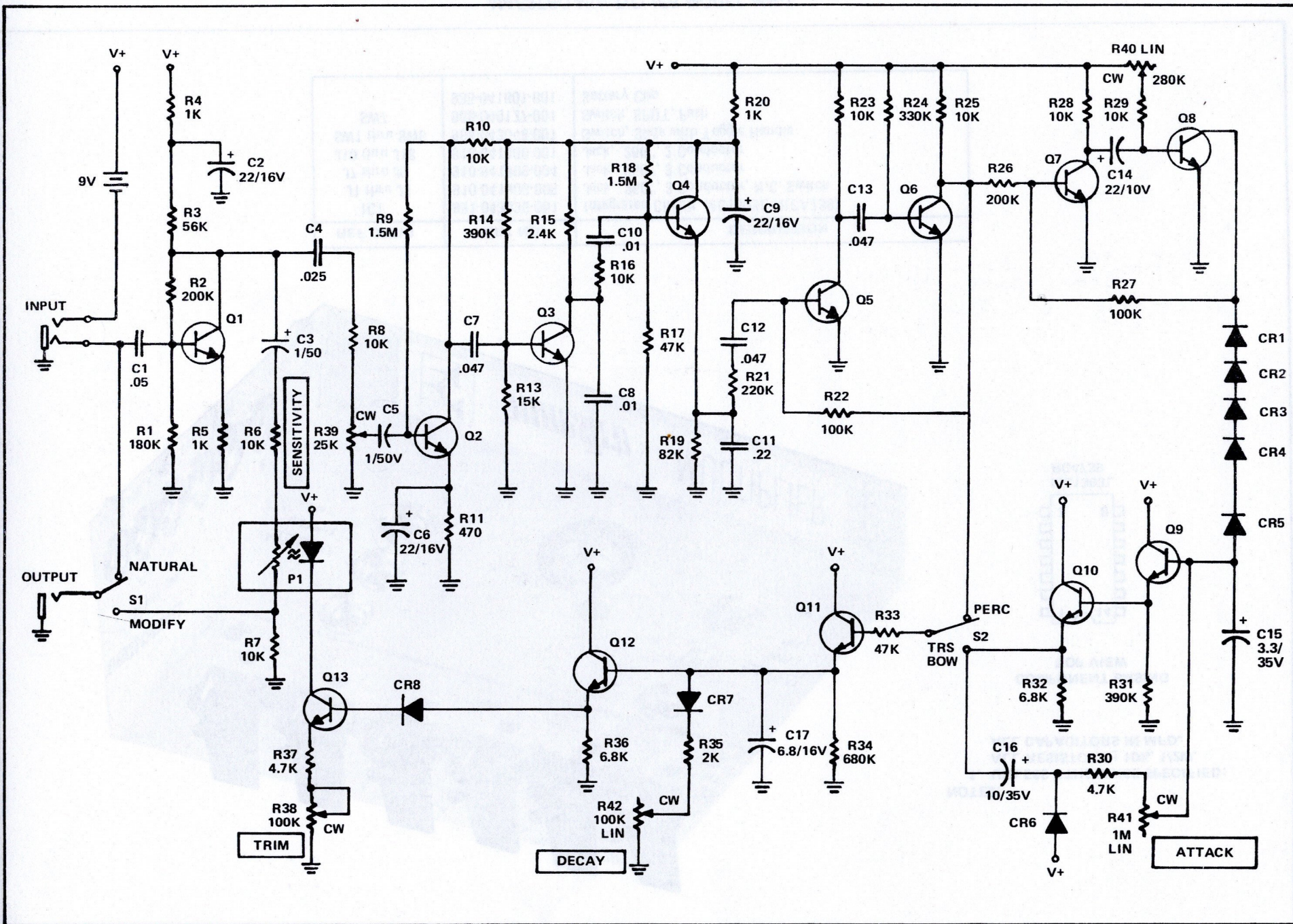
BASING DIAGRAM

BOTTOM VIEW



REF DESIG	PART NO.	DESCRIPTION
CR1 thru CR7	919-041075-001	Diode, 1N4148
Q1 thru Q13	991-043025-001	Transistor, 2N3566

ENVELOPE MODIFIER MODEL ME-1



ENVELOPE MODIFIER MODEL ME-1