

MINI PHASE SHIFTER MODEL MPS-2

BASING DIAGRAMS

BOTTOM VIEWS

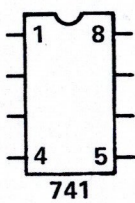


TIS97



2N4303

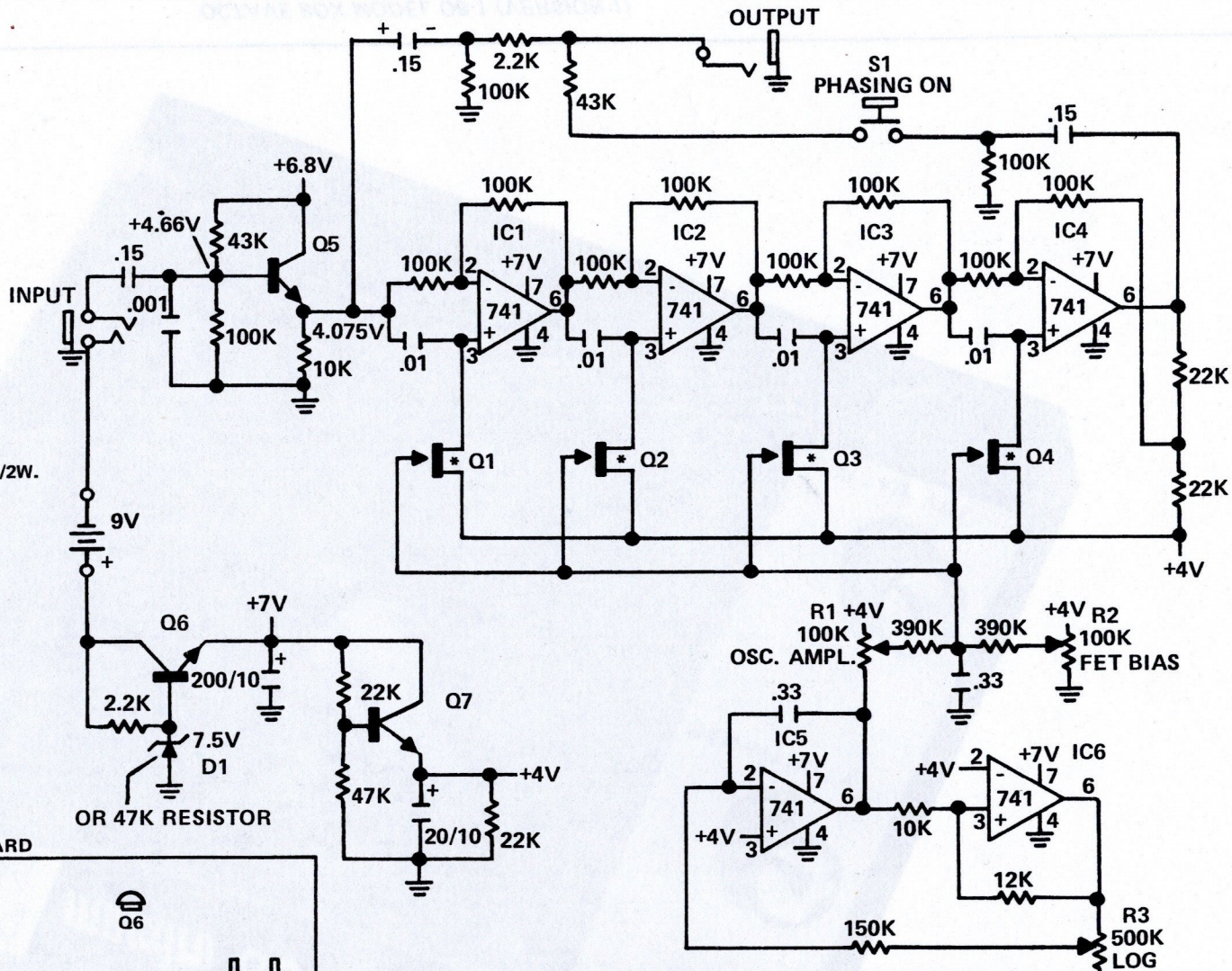
TOP VIEW



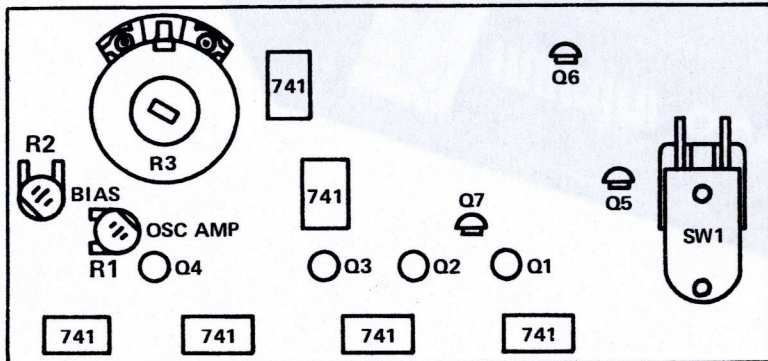
741

NOTES:

1. UNLESS OTHERWISE SPECIFIED:
ALL RESISTORS IN OHMS, $\pm 5\%$, 1/2W.
ALL CAPACITORS IN MFD.
2. * Q1 THRU Q4 SELECTED.



P.C. BOARD



REF DESIG	PART NO.	DESCRIPTION
D1	919-043007-001	Diode, Zenner, 7.5V, 1N755A
IC1 thru IC6	991-041101-001	Amplifier, Operational, SN72741
Q1 thru Q4	991-043005-001	Transistor, Matched Set, 2N4303
Q5 thru Q7	991-041265-001	Transistor, TIS97
R1, R2	925-040281-006	Resistor, Variable, 100K
R3	925-043006-001	Resistor, Variable, 500K
S1	960-043004-001	Switch, Push, SPST