

MusicParts.Com

Technical Document Distribution

Brand:	Maestro
Model	MRK-2 Rhythm King
Product:	Automatic Rhythm Drum Machine
Description:	Schematic

Musicparts Document Number: 37950 TechTips: No Pages: 5 Dated: None

Hello,

Welcome to MusicParts.Com, Inc. your online resource for technical documents and service information. This PDF package may contain information, schematics, parts lists, images, engineering changes, previous versions, circuit descriptions, and many other unique features about the product you have chosen. This document was assembled from a variety of sources and is the result of our many years in the music repair business.

NOTE: Large original over-sized drawings will need to be taped together. We feel this is better than reducing them and losing the fine details.

VIEWING: This document is utilizing PAGE-ON-DEMAND downloading. This will let you navigate to any page without waiting for the entire file to download. Just click ON the thumbnails.

PRINTING: Very Important!

When the print dialog appears, please make sure "**REDUCE TO PAPER SIZE**" OR "**SHRINK OVERSIZED PAGES**" is checked, otherwise you may cut off the edge of the page. This will compensate for your printer's margins and produce a great looking printout. Also please stay online while printing this document to make sure you get all the pages.

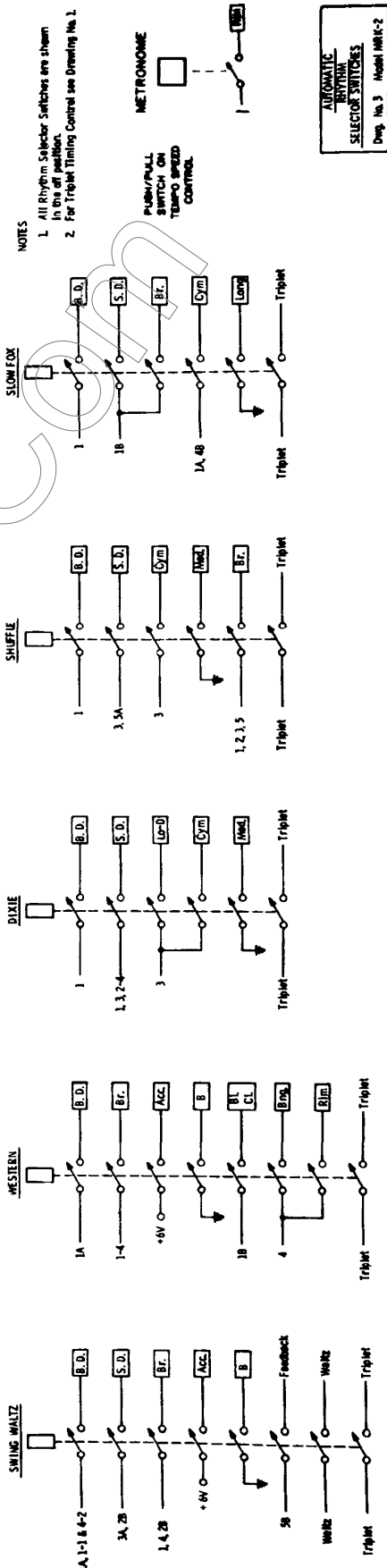
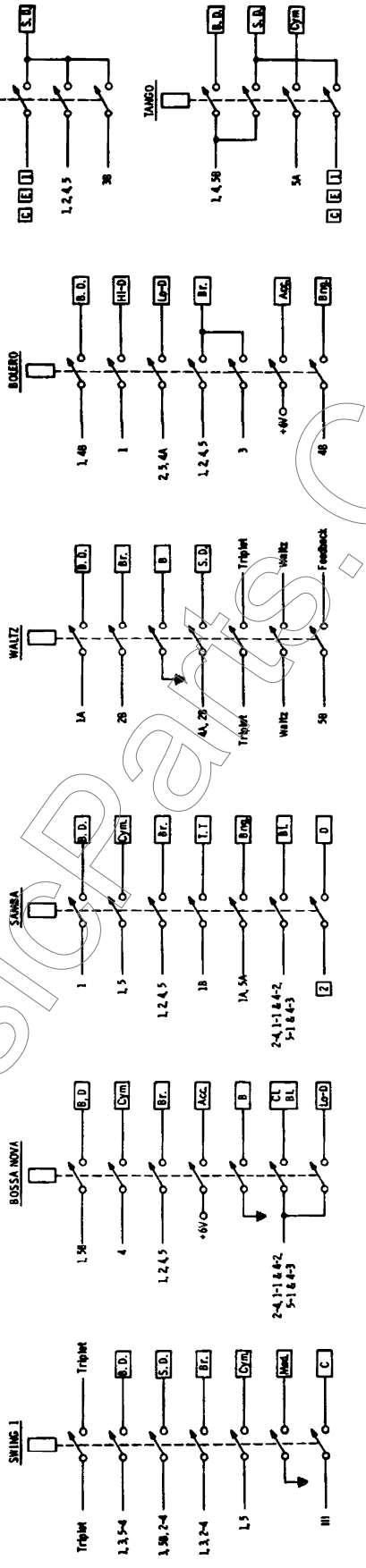
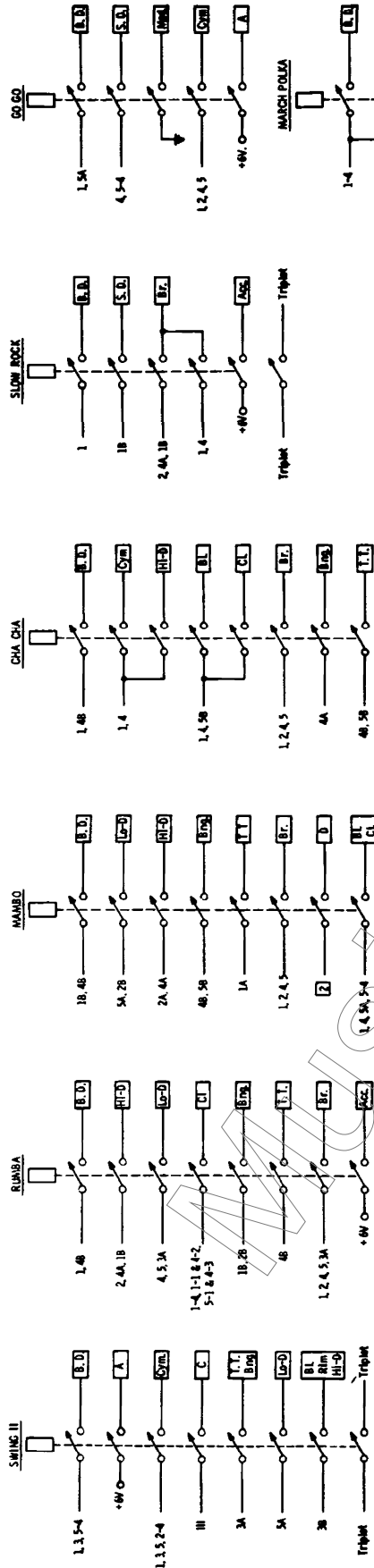
Visit us on the web at: <http://www.musicparts.com/>
Email us at: customerservice@musicparts.com

MusicParts.Com

AUTOMATIC RHYTHM

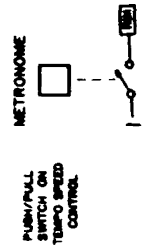
MRK-2

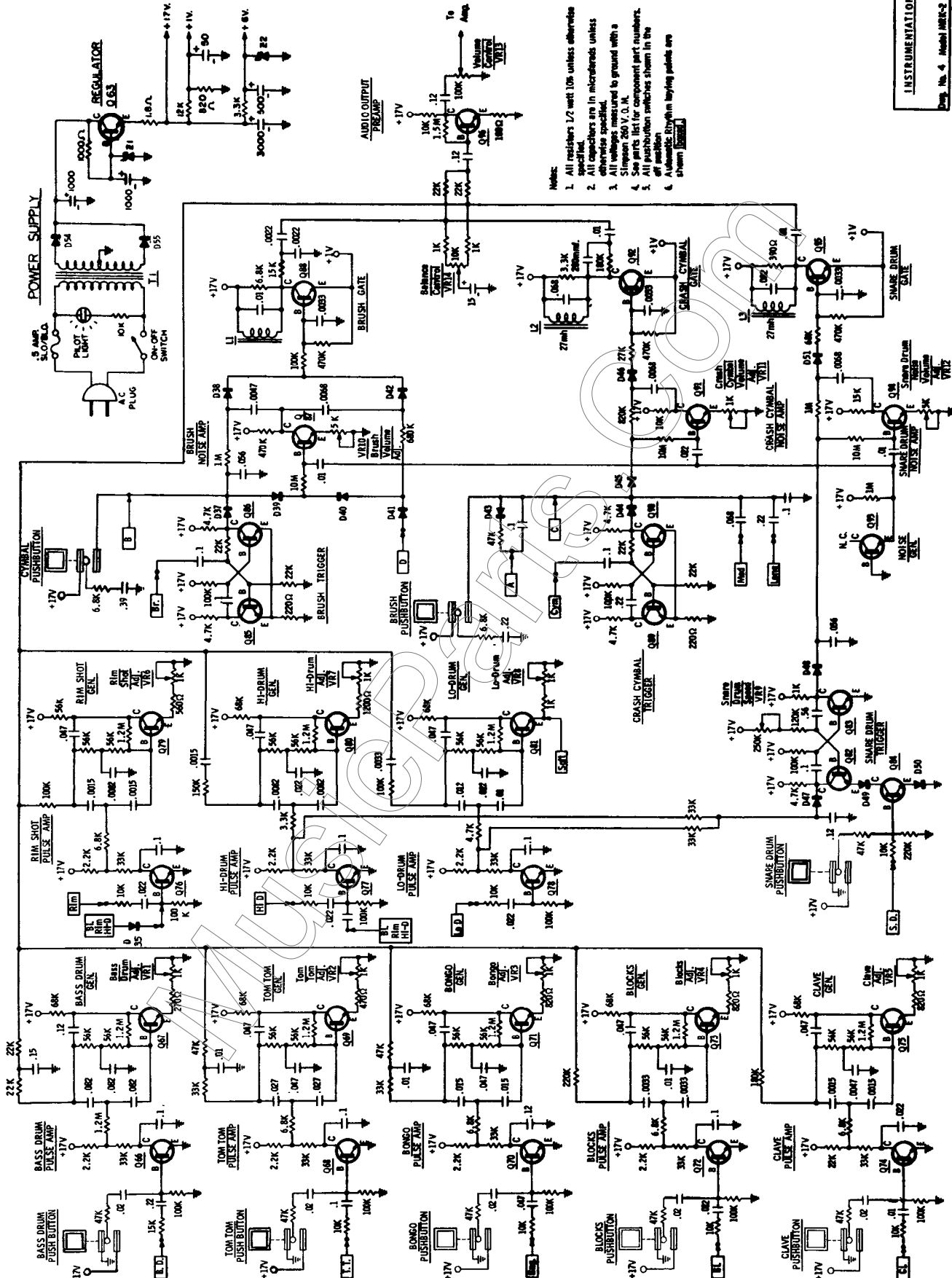
MAESTRO RHYTHM KING



NOTES

- All Rhythm Selector Switches are shown in the off position.
- For Triplet Timing Control see Drawing No. 1.





- Notes:**
1. All resistors 1/2 watt 10% unless otherwise specified.
 2. All capacitors are in microfarads unless otherwise specified.
 3. All voltages measured to ground with a Simpson 260 V.O.M.
 4. See parts list for component part numbers.
 5. All pushbutton switches shown in the off position.
 6. Automatic Rhythm keying pedals are shown **OPTIONAL**.