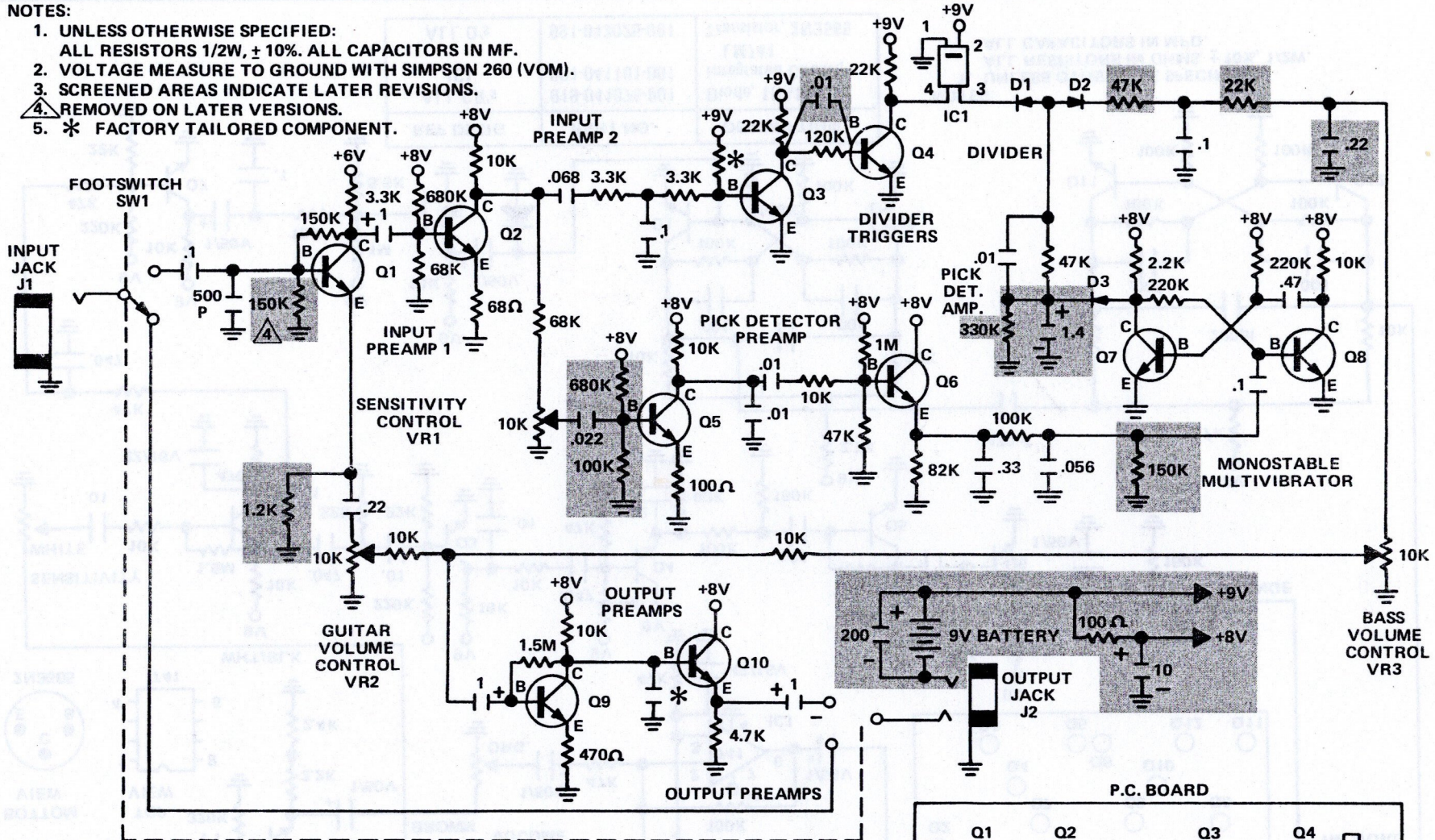




OCTAVE BOX MODEL OB-1 (VERSION 1)

NOTES:

1. UNLESS OTHERWISE SPECIFIED:
ALL RESISTORS 1/2W, ± 10%. ALL CAPACITORS IN MF.
2. VOLTAGE MEASURE TO GROUND WITH SIMPSON 260 (VOM).
3. SCREENED AREAS INDICATE LATER REVISIONS.
4. REMOVED ON LATER VERSIONS.
5. * FACTORY TAILORED COMPONENT.



REF DESIG	PART NO.	DESCRIPTION
D1 thru D3	991-041075-001	Diode, 1N4148
IC1	991-043837-001	Divider, Integrated Circuit
Q1 thru Q10	991-042017-001	Transistor, 2N3392
SW1	960-040042-001	Switch, Push, DPDT
VR1	925-043246-001	Potentiometer, 10K, Linear
VR2, VR3	925-043256-001	Potentiometer, 10K, Audio

BASING DIAGRAMS

