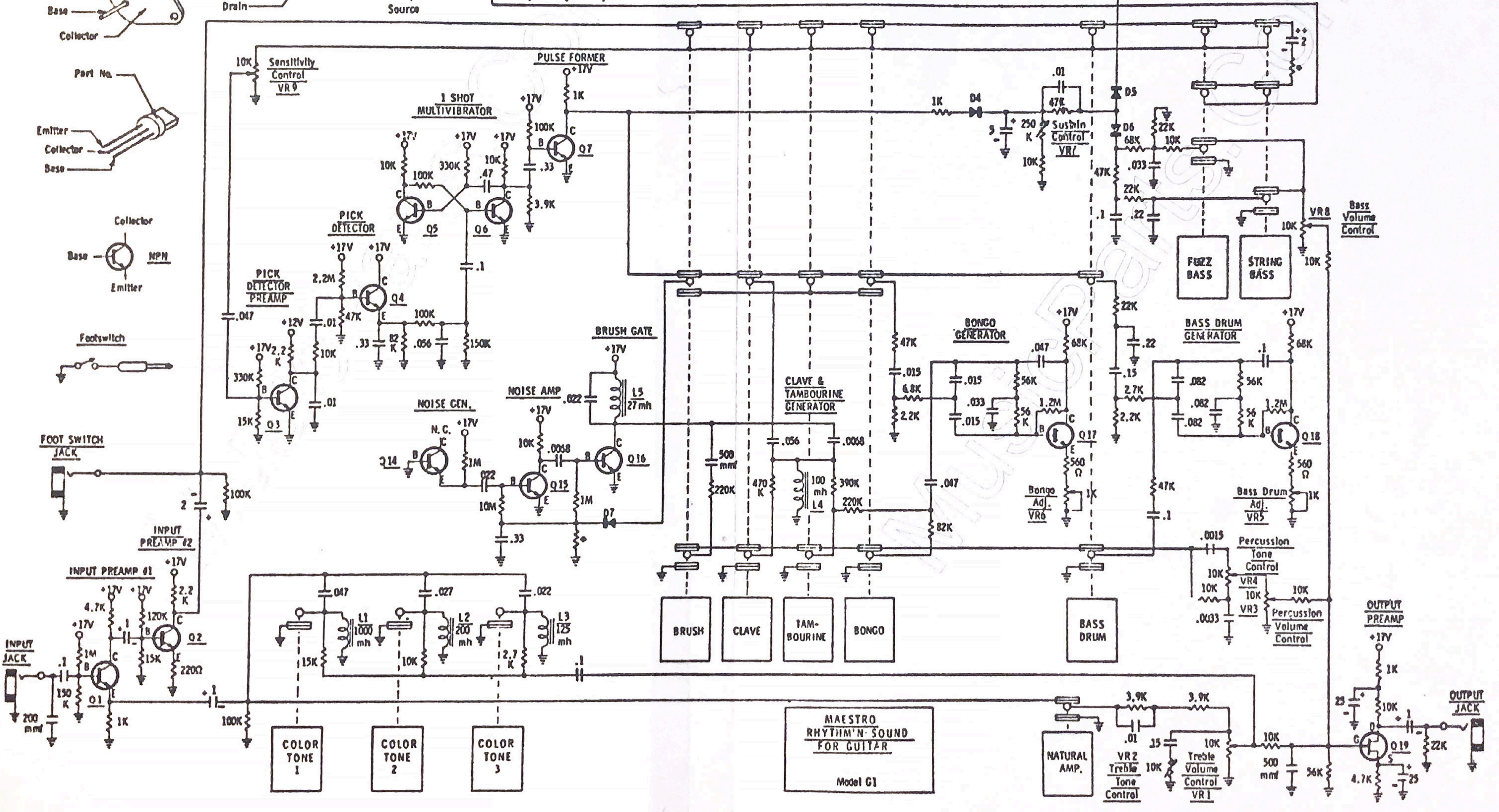
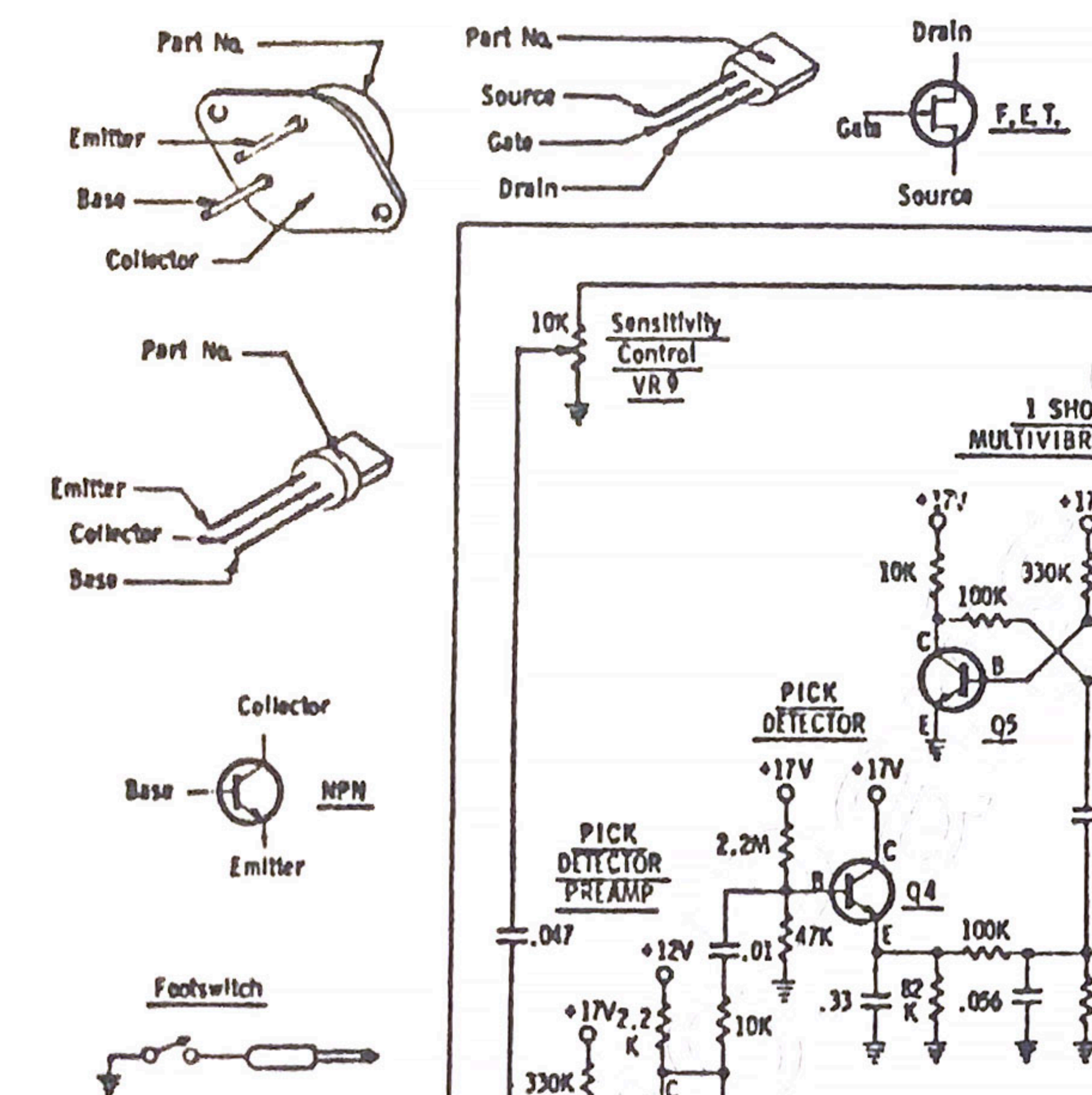


- NOTES:
1. All resistors 1/2 watt 10% unless otherwise specified.
  2. All capacitors are in microfarads unless otherwise specified.
  3. All voltages measured to ground with a Simpson 260 VOM.
  4. Everything seems to get easier with practice except getting up in the morning.
  5. See parts list for component part numbers.
  6. • Denotes factory tailored component.
  7. All tabs/switches shown in "on" position.

RYTHM' SOUND FOR GUITAR  
MODEL G1

TRANSISTOR CONFIGURATIONS



MAESTRO RHYTHM'N SOUND  
FOR GUITAR  
Model G1