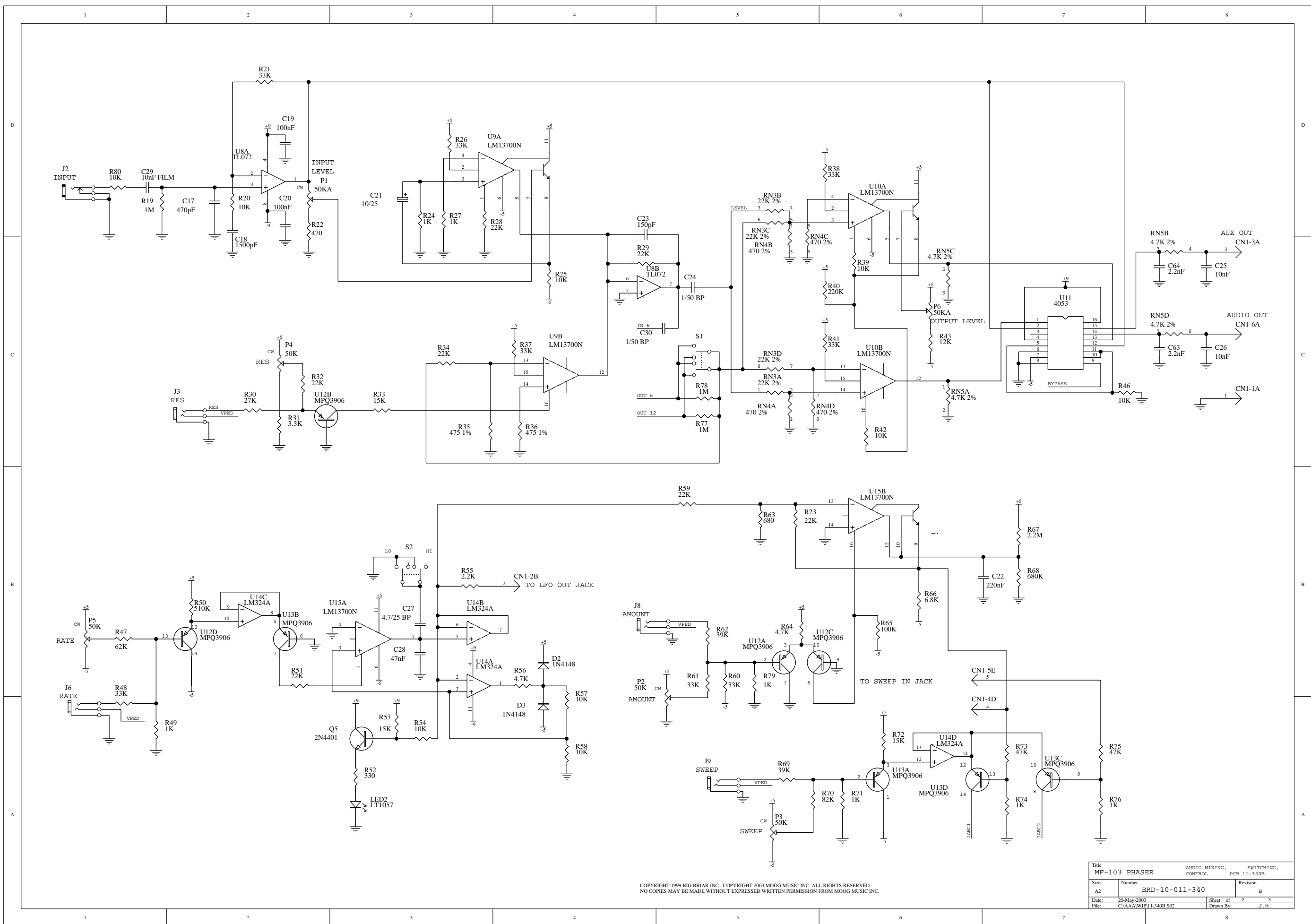


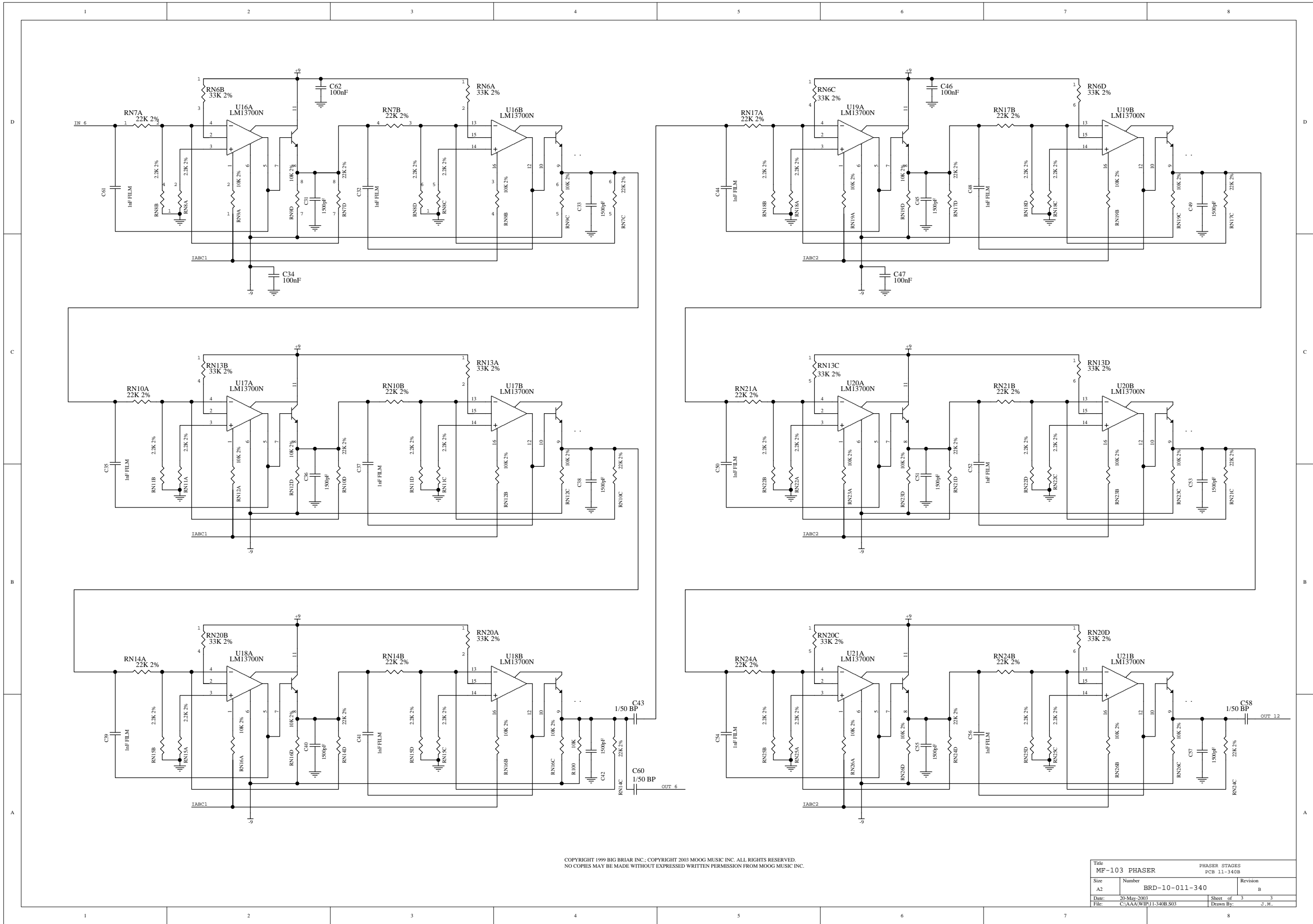
COPYRIGHT 1999 BIG BRIAR INC.; COPYRIGHT 2003 MOOG MUSIC INC. ALL RIGHTS RESERVED.
 NO COPIES MAY BE MADE WITHOUT EXPRESSED WRITTEN PERMISSION FROM MOOG MUSIC INC.

Title		POWER SUPPLY /LEVEL/LATCH	
MF-103 PHASER		PCB 11-340B	
Size	Number	Revision	
A3	BRD-10-011-340	B	
Date:	20-May-2003	Sheet of	1 3
File:	C:\AAA\WIP\11-340B.S01	Drawn By:	J.M.



COPYRIGHT 1999 BIG BRIAR INC.; COPYRIGHT 2003 MOOG MUSIC INC. ALL RIGHTS RESERVED.
 NO COPIES MAY BE MADE WITHOUT EXPRESSED WRITTEN PERMISSION FROM MOOG MUSIC INC.

Title		AUDIO MIXING, SWITCHING, CONTROL PCB 11-340B	
Size	Number	Revision	
A2	BRD-10-011-340	B	
Date:	20-May-2003	Sheet of	2 3
File:	C:\AAA\WIP\11-340B.S02	Drawn By:	J.M.



COPYRIGHT 1999 BIG BRIAR INC.; COPYRIGHT 2003 MOOG MUSIC INC. ALL RIGHTS RESERVED.
 NO COPIES MAY BE MADE WITHOUT EXPRESSED WRITTEN PERMISSION FROM MOOG MUSIC INC.

Title		MP-103 PHASER	
Size		A2	
Number		BRD-10-011-340	
Date		20-May-2003	
File		C:\AAA\WIP\11-340B.S03	
Revision		B	
Sheet of		3	
Drawn By:		J.M.	