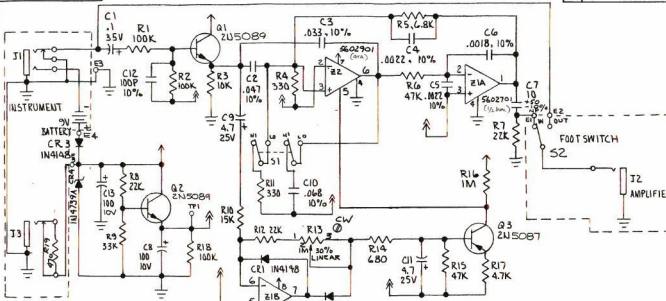
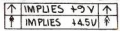


THIS DOCUMENT AND THE INFORMATION CONTAINED HEREIN IS THE EXCLUSIVE PROPERTY OF ARP INSTRUMENTS, INC. ISSUED IN STRICT CONFIDENCE AND SHALL NOT, WITHOUT THE PRIOR WRITTEN PERMISSION OF ARP INSTRUMENTS, INC. BE REPRODUCED, COPIED, OR USED FOR ANY PURPOSE WHATSOEVER EXCEPT THE MANUFACTURE OF ARTICLES FOR ARP INSTRUMENTS, INC.

LTR	DESCRIPTION
A	PROD REL 399



- NOTES:
- UNLESS OTHERWISE SPECIFIED ALL RESISTORS ARE IN OHMS, 1/4W, 5%. ALL CAPACITORS ARE IN MUF. (P= PICOFARADS)
  - HIGHEST REF DES. R19, CR4, C13, Q3, S2, Z2, TP1, E5.
  - SUPPLY VOLTAGE CONVENTION:



ARP PART NO	→
USED ON	PL7273301
MATERIAL	—
FINISH	—

UNLESS OTHERWISE SPECIFIED DIMENSIONS ARE IN INCHES	
XX ± .02	
TOLERANCES XXX ± .010	
ANGLES ± 1°	
REMOVE BURRS & SHARP EDGE	
DO NOT SCALE DRAWING	
DRAWN W.J.A.	2/5/78
CHECKED DC	2-23-79
APPROVED JDL	12/24/79

**ARP**

TITLE SC1  
M1  
MicroV (New)

SYM SIZE  
SWD B