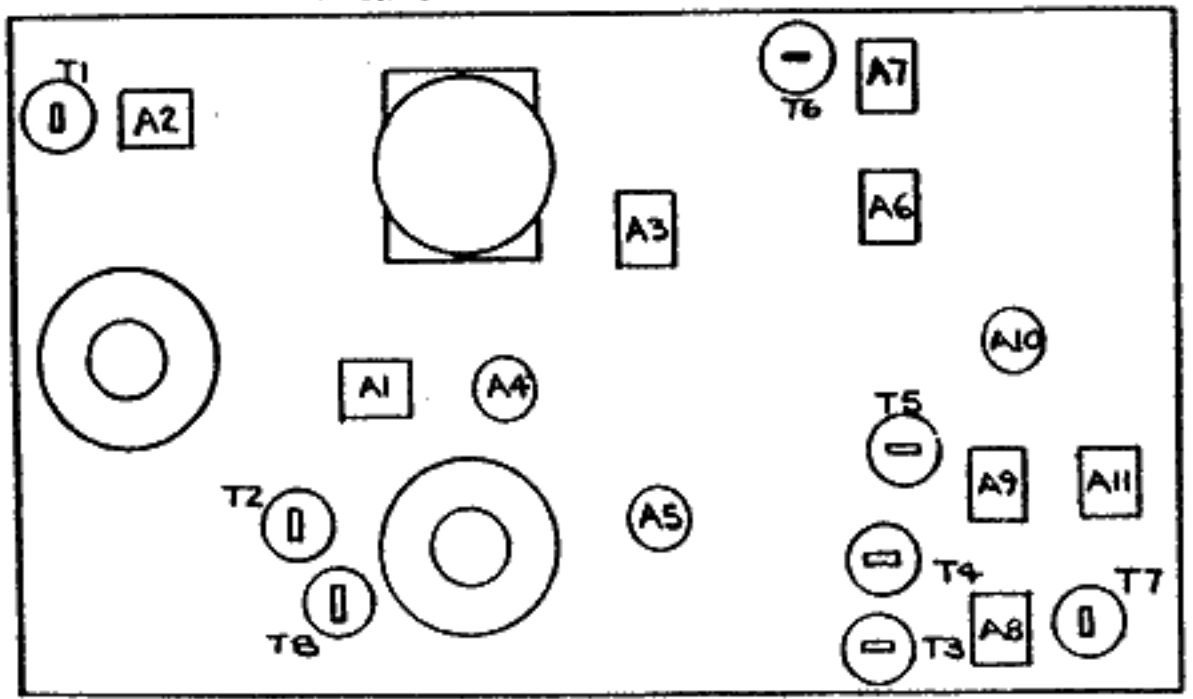


TRIMPOT PLACEMENT



NOTES (UNLESS OTHERWISE SPECIFIED):

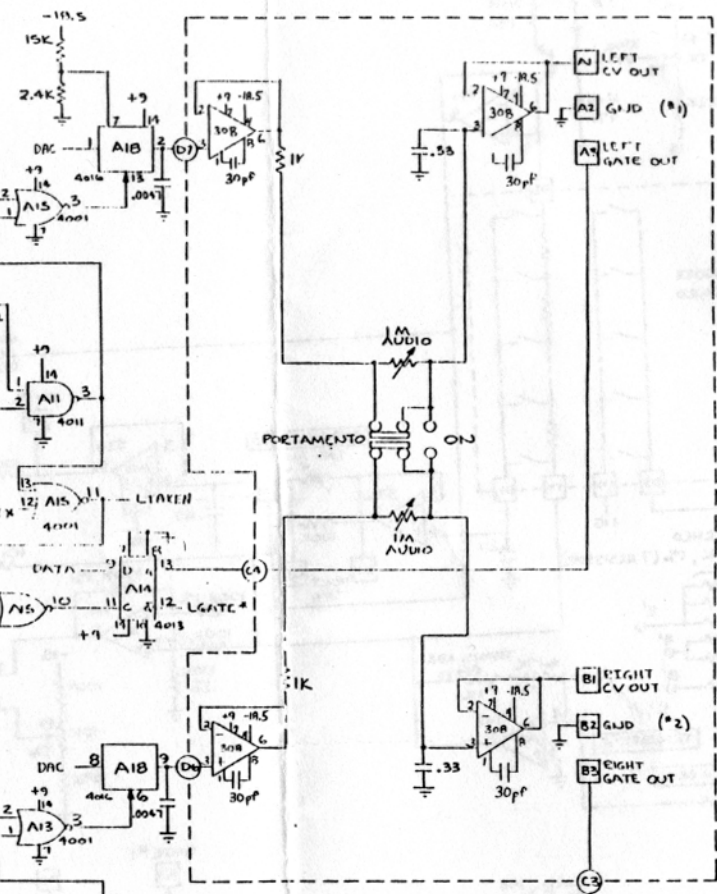
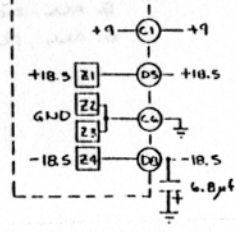
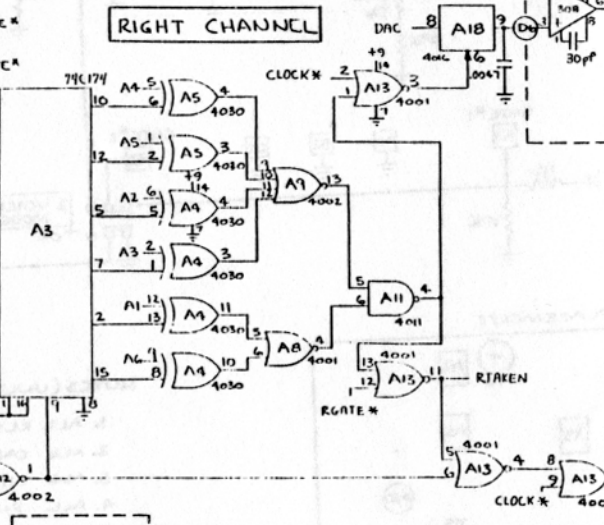
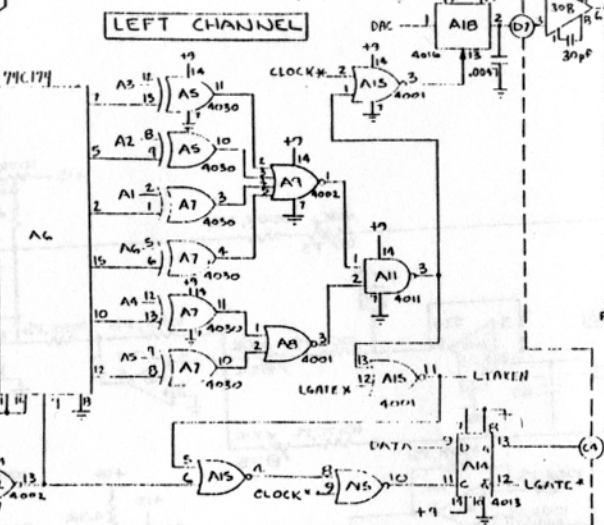
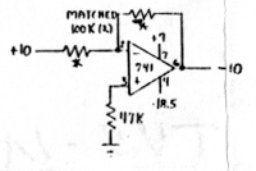
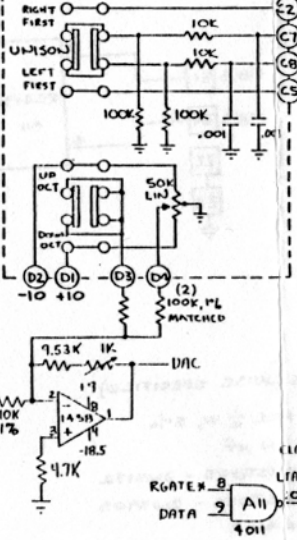
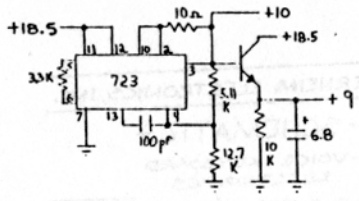
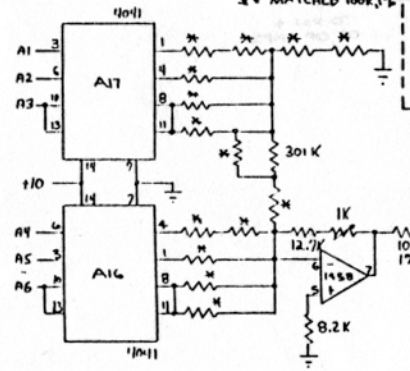
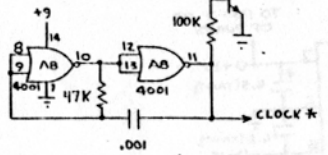
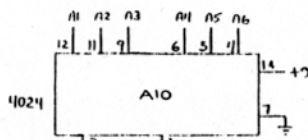
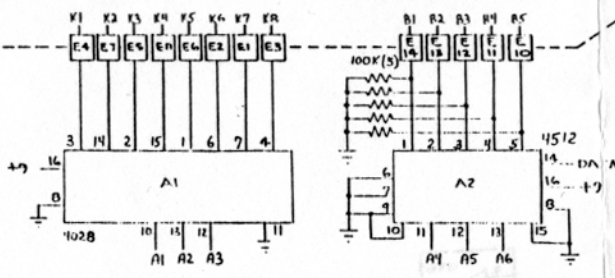
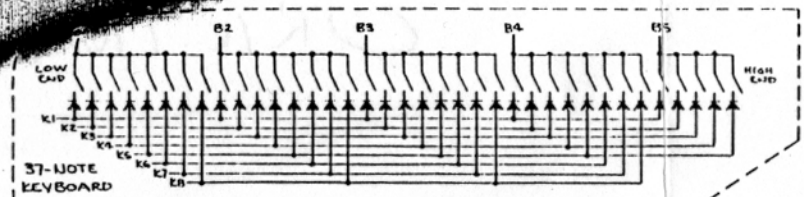
1. ALL RESISTORS ARE $\frac{1}{4}$ W, 5%
2. ALL CAPACITORS IN μ F
3. ALL NPN TRANSISTORS - 2N5172
4. ALL PNP TRANSISTORS - 2N3905
5. ALL DIODES - 1N4148
6. ALL FET'S - 2N4391

OBERHEIM ELECTRONICS, INC.

- SCHEMATIC -
2-VOICE KEYBOARD
ELECTRONICS

JULY 2 1975
REV- 1-21-76

1102E



OBERHEIM ELECTRONICS, INC.
 SCHEMATIC -
 DIGITAL 2-VOICE KEYBOARD
 ELECTRONICS
 4-13-76
 REV 7-22-76