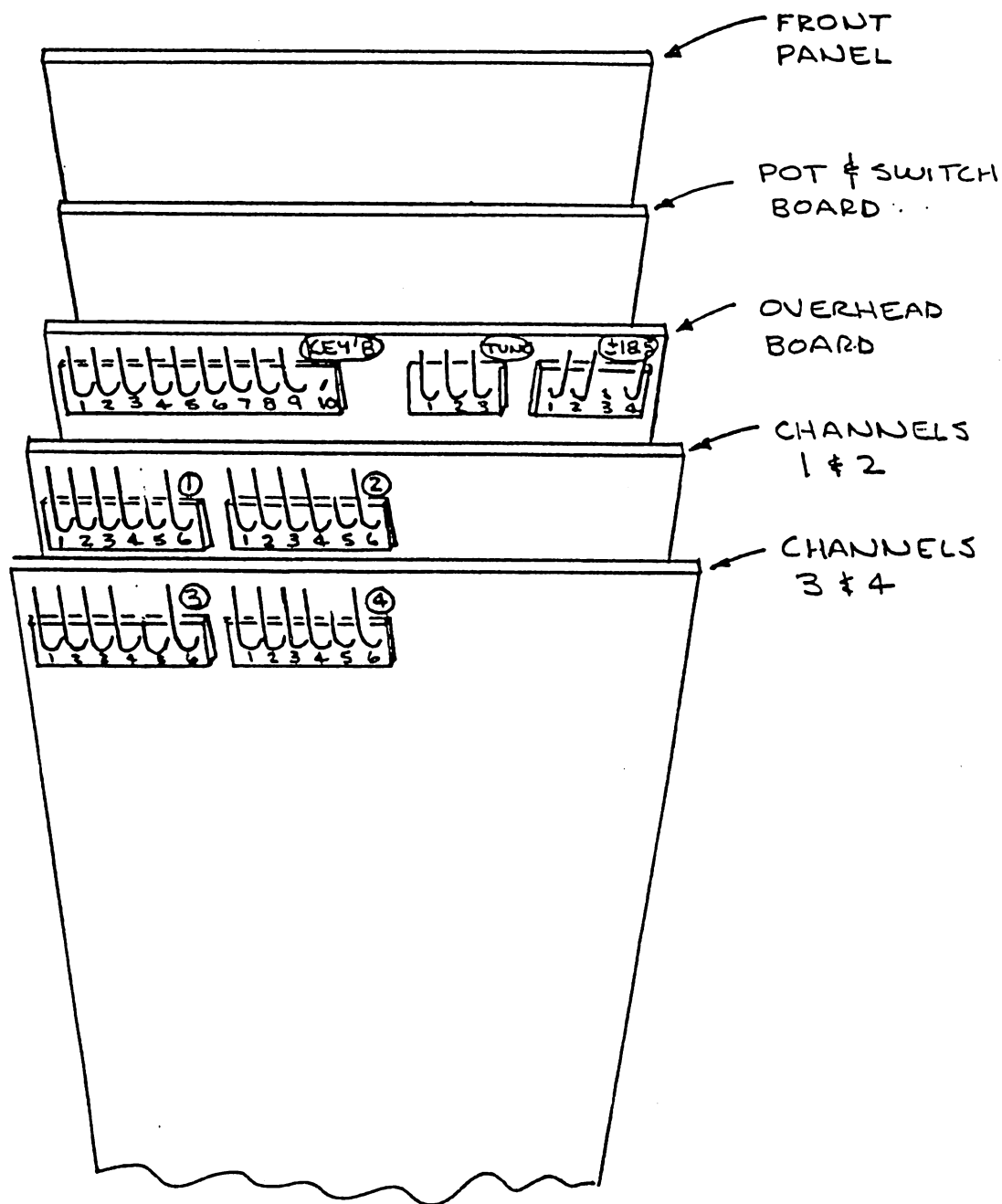


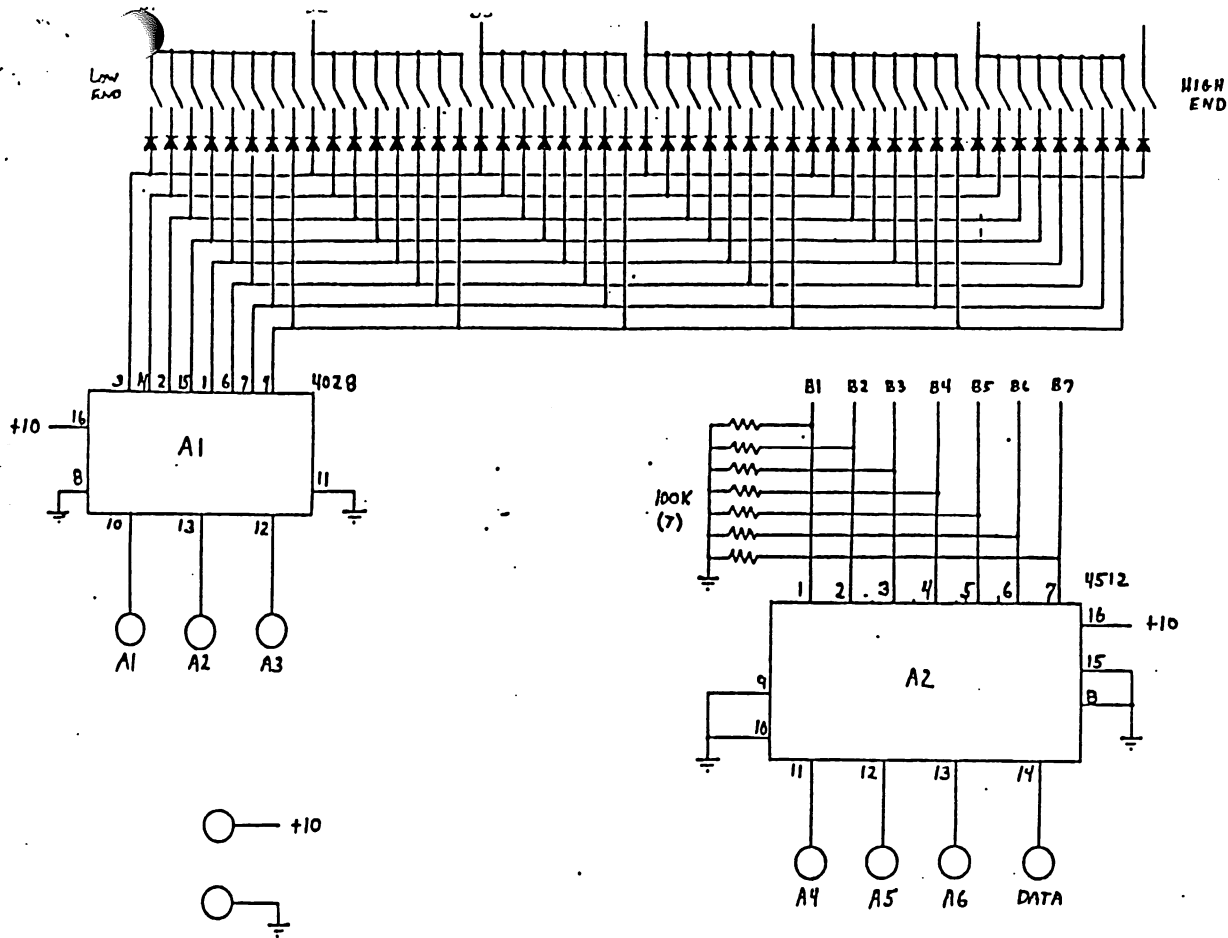
FOUR VOICE ELECTRONICS CONNECTIONS



FOUR VOICE INTER-CONNECT CABLE

(12 PIN MOLEX)

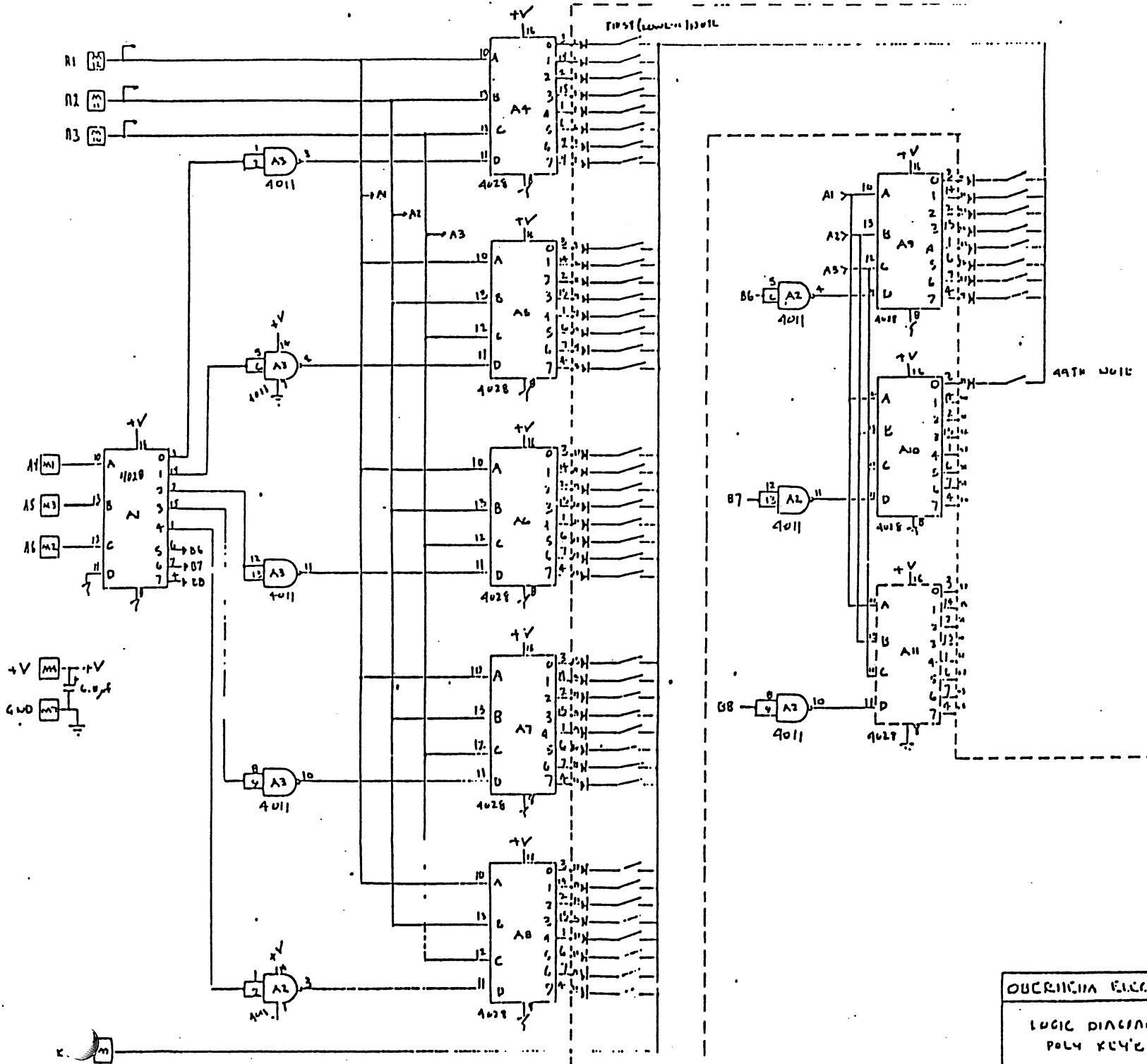
<u>FUNCTION</u>	<u>PIN</u>
CV #1	1
GATE #1	2
CV #2	3
GATE #2	4
CV #3	5
GATE #3	6
CV #4	7
GATE #4	8
GND	9
GND	10
VCO TUNE	11
VCF TUNE	12



NOTES:

- 1) A1 AND A2 TO BE MOUNTED IN SOCKETS
- 2) ○ DENOTES SOLDERABLE PINS ON P.C BOARD
- 3) ALL RESISTORS 5% 1/4 OR 1/2 WATT

OBSCHEIM ELECTRONICS, INC
 .49 NOTE KEYBOARD
 WITH DECODER
 7/77

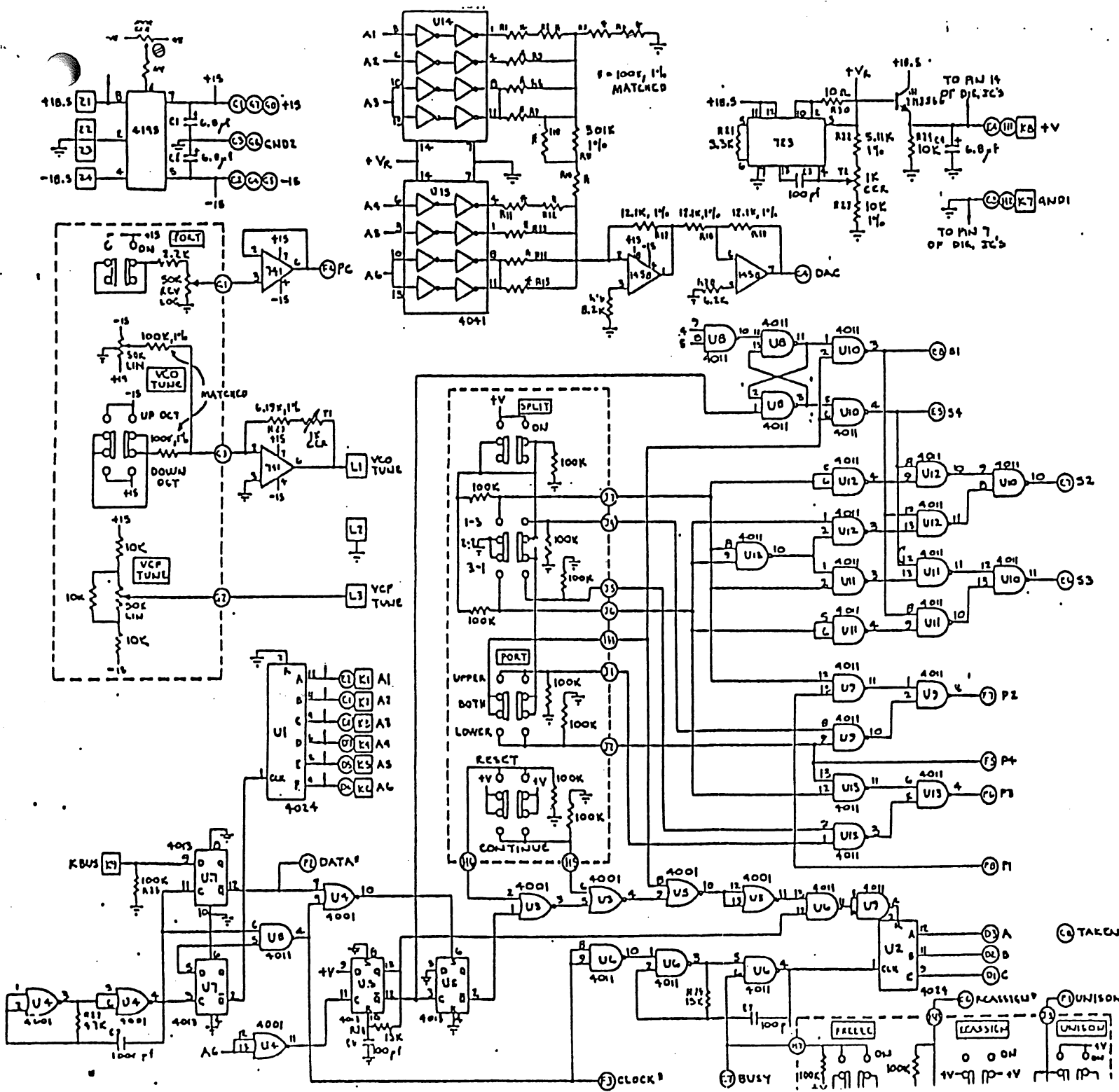


OBERON ELECTRONICS, INC.

LOGIC DIAGRAM -
POLY KEY# 000000

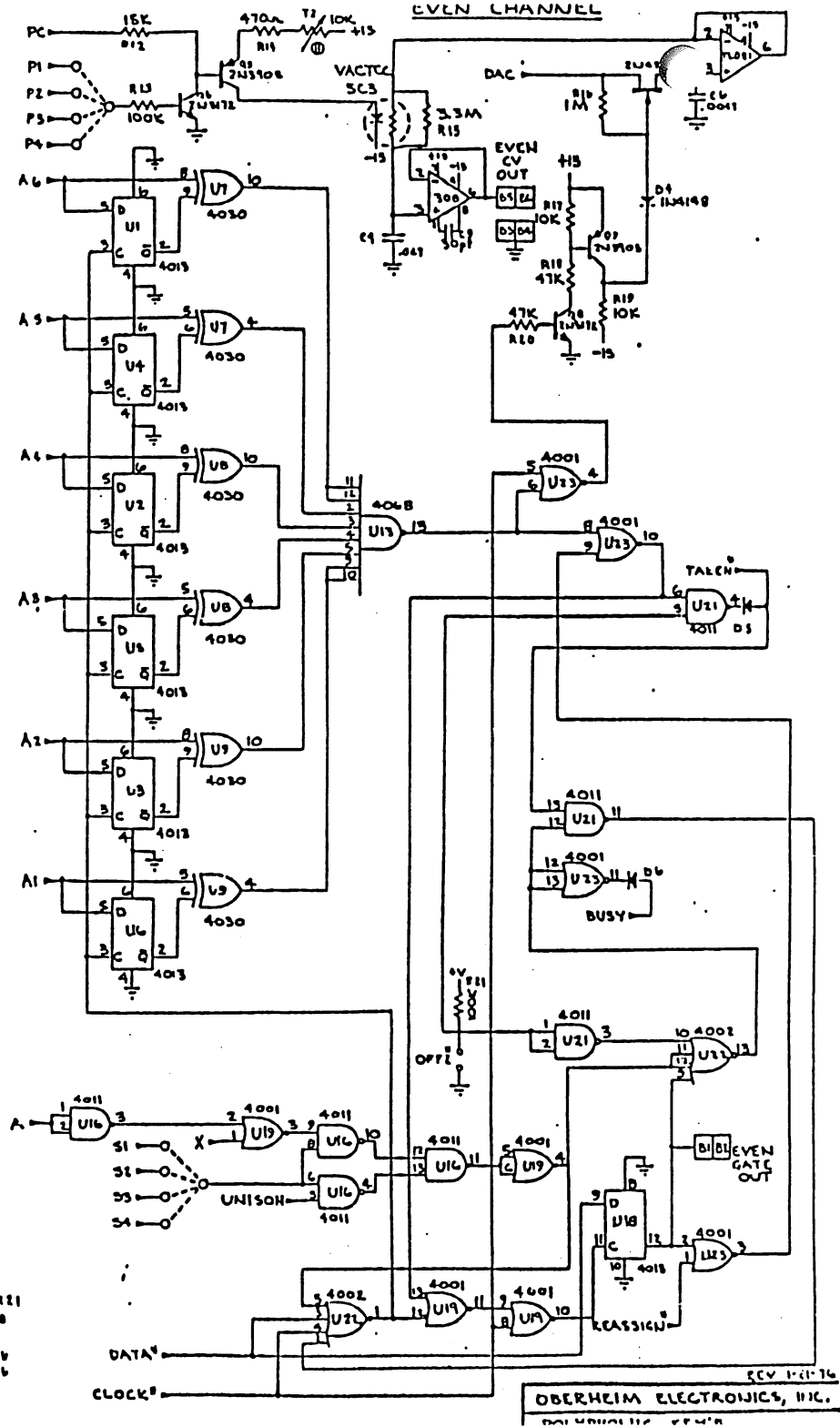
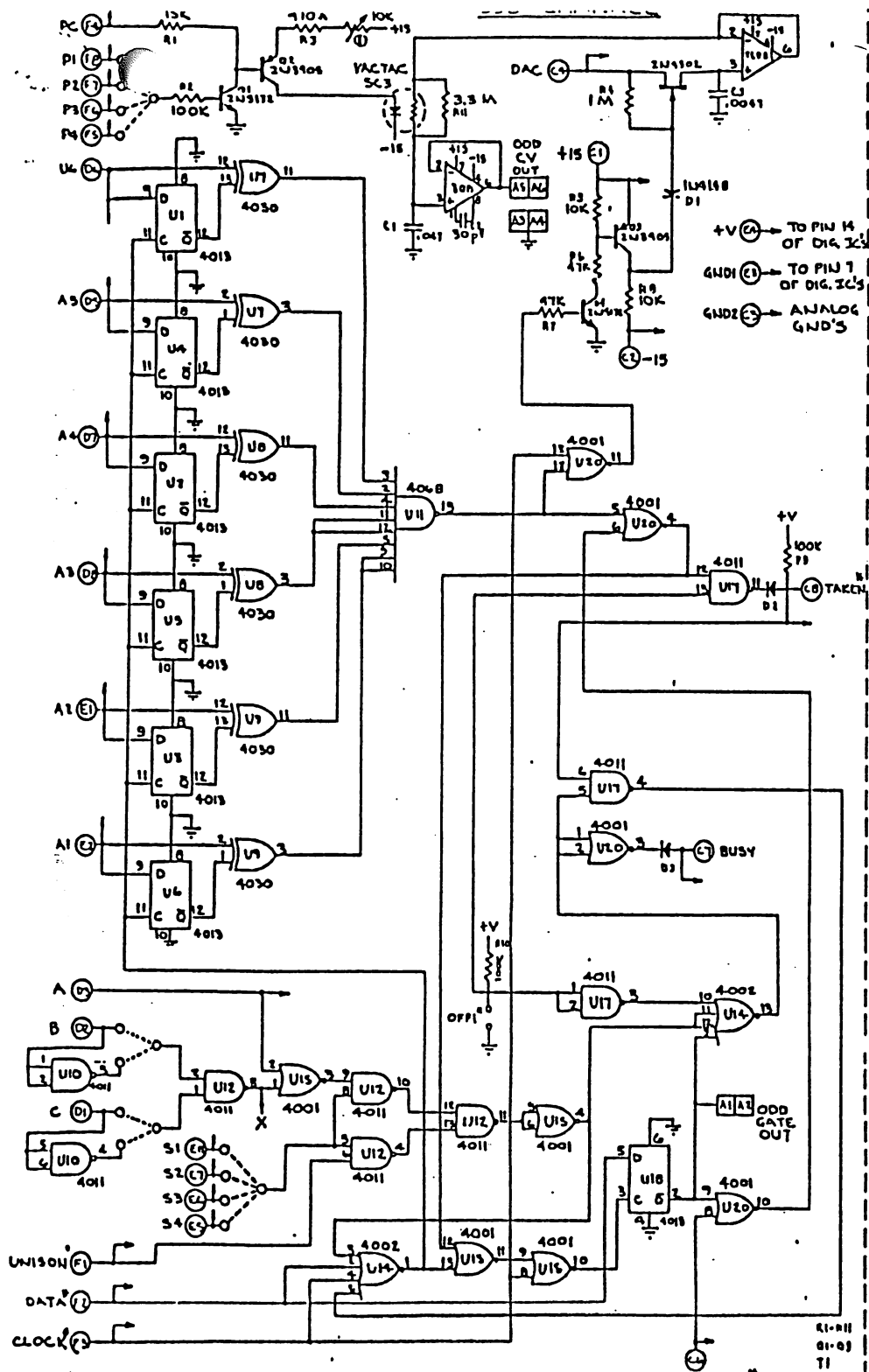
NOV. 11, 1975

1126



NOTES:
 1. UNLESS SPECIFIED OTHERWISE
 ALL RESISTORS ARE 1/4W, 5%
 2. ALL CAPACITORS IN μ F
 3. ALL NPN TRANSISTORS - 2N3172
 4. ALL PNP TRANSISTORS - 2N3903
 5. ALL DIODES - 1N4148
 6. ALL FET'S - 2N4302

(A) TAKEW
 (B) REASSIGN
 (C) UNISOW
 (D) UNISOW
 (E) UNISOW
 (F) UNISOW
 (G) UNISOW
 (H) UNISOW
 (I) UNISOW
 (J) UNISOW
 (K) UNISOW
 (L) UNISOW
 (M) UNISOW
 (N) UNISOW
 (O) UNISOW
 (P) UNISOW
 (Q) UNISOW
 (R) UNISOW
 (S) UNISOW
 (T) UNISOW
 (U) UNISOW
 (V) UNISOW
 (W) UNISOW
 (X) UNISOW
 (Y) UNISOW
 (Z) UNISOW



R11-R16
03-08
TE
01-06
01-06



CV B 1



CV B 2



CV 2 A



CV 1 A

B VCF F

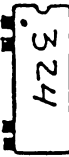


VCF M B

A VCF F

VCF M A

A DECAY
2



ATTACK A
2

A SUSTAIN
2

ATTACK A
1

A LFO F

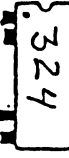


LFO M A

A SUSTAIN
1

DECAY 1 A

B DECAY
2

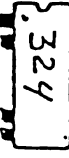


ATTACK 2 B

B SUSTAIN
2

ATTACK 1 B

B LFO F



LFO M B

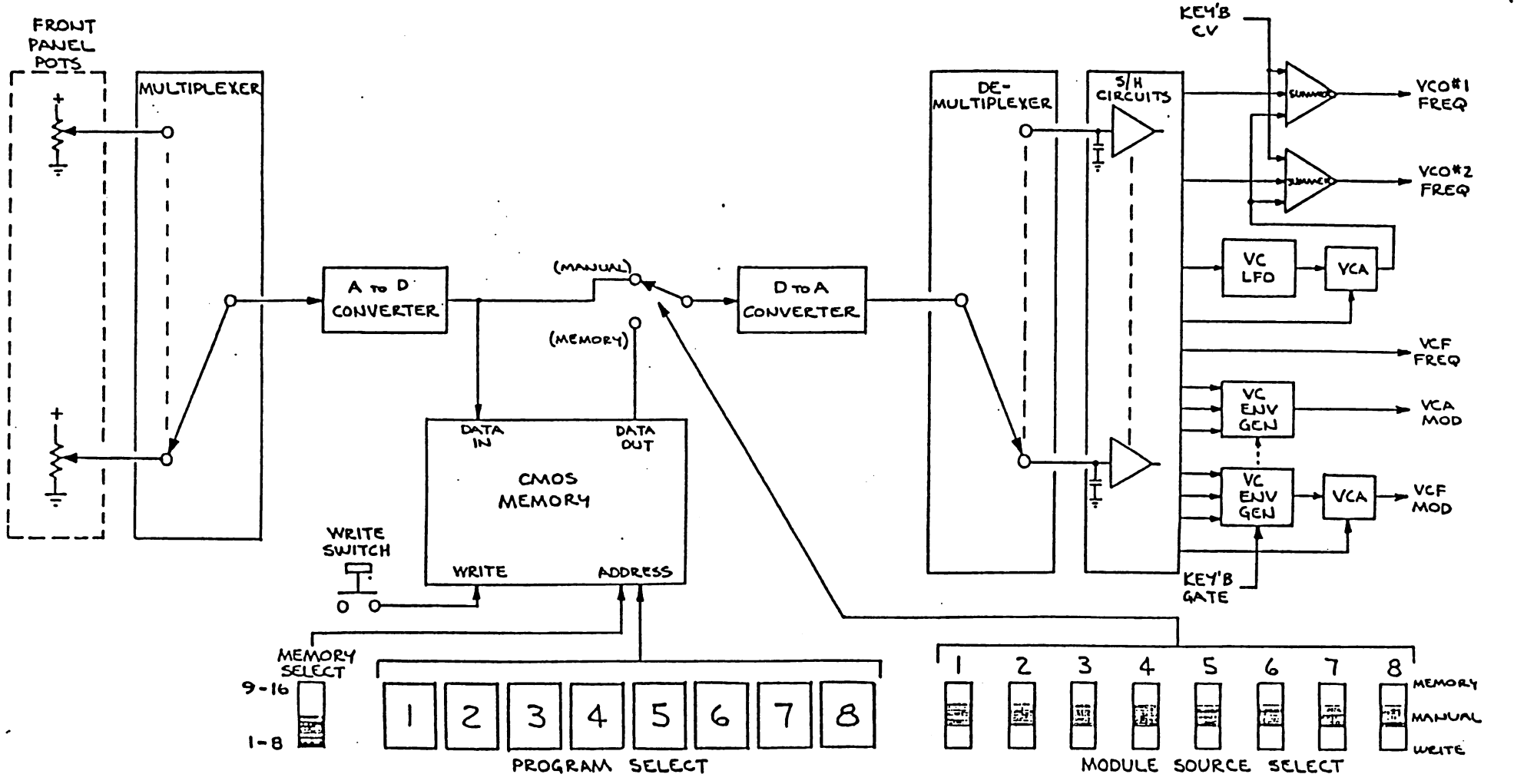
B SUSTAIN
1

DECAY 1 B

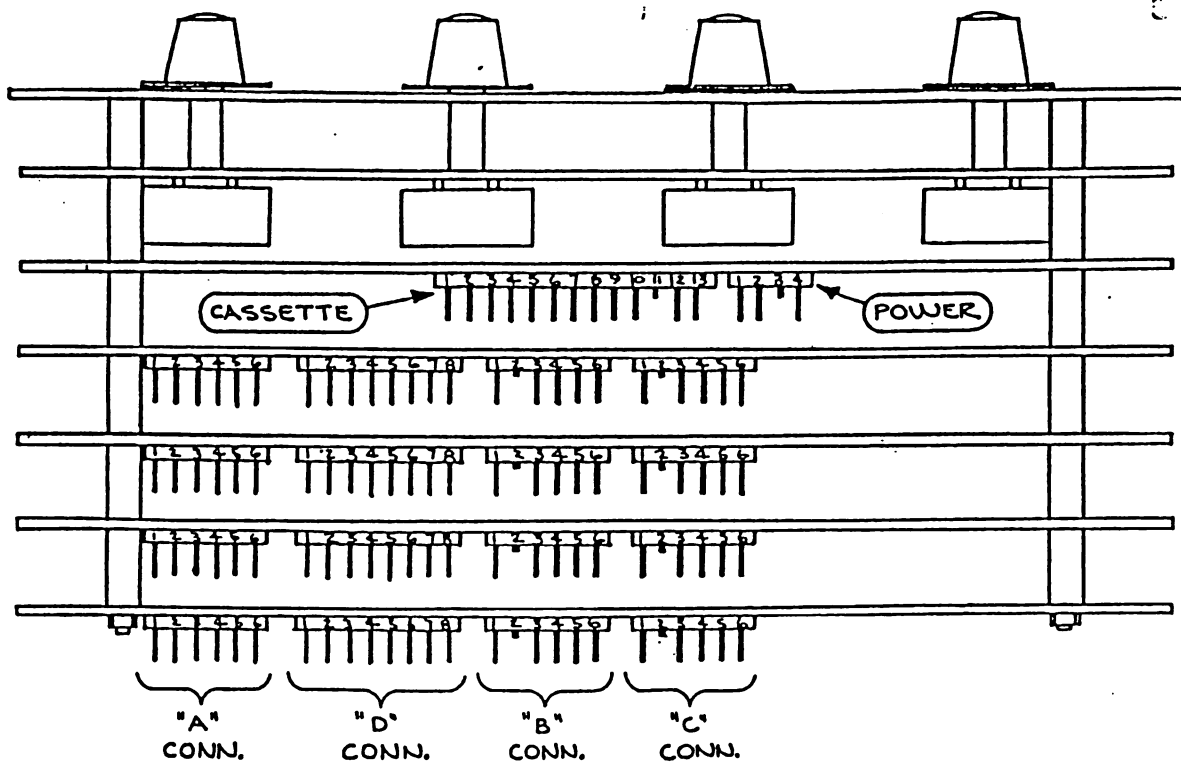
PSP S: H 12/16/83
PIN OUT
6-5-78 T.S.

FVS

BLOCK DIAGRAM - PROGRAMMER -



TOP VIEW



FRONT PANEL

POT BOARD

OVERHEAD BOARD

CHANNEL BOARD #1 (CHANNELS 1&2)

CHANNEL BOARD #2 (CHANNELS 3&4)

CHANNEL BOARD #3 (CHANNELS 5&6)

CHANNEL BOARD #4 (CHANNELS 7&8)

PIN	FUNCTION
1	+18.5 V
2	GND
3	KEY
4	-18.5 V

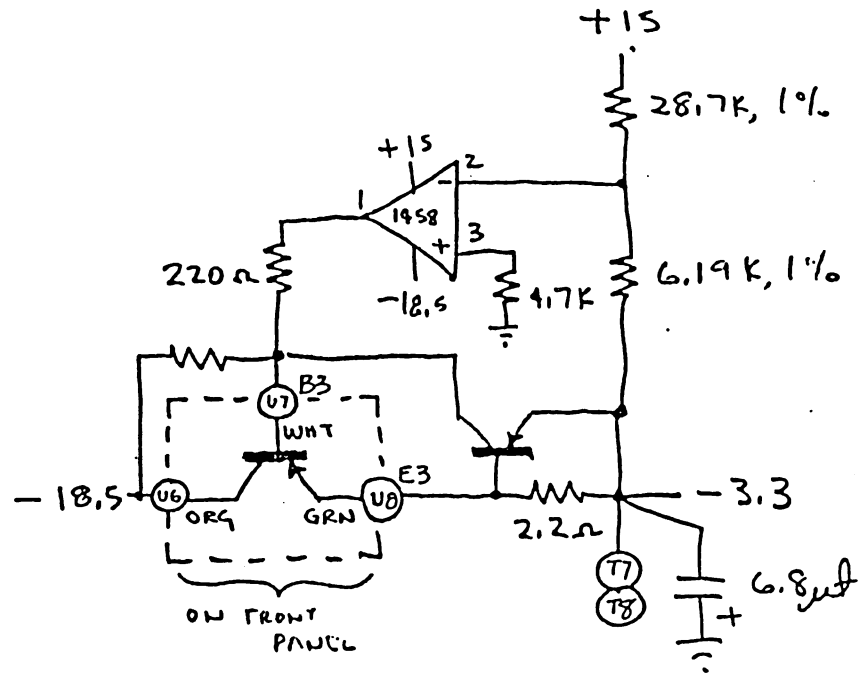
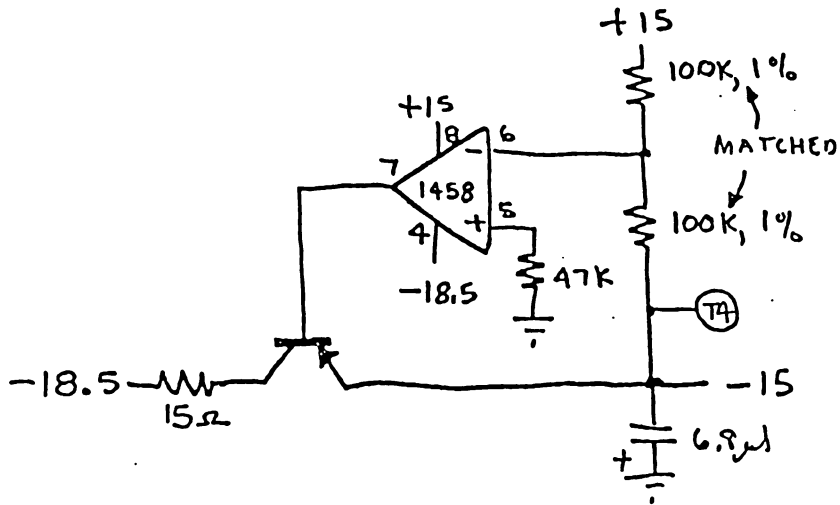
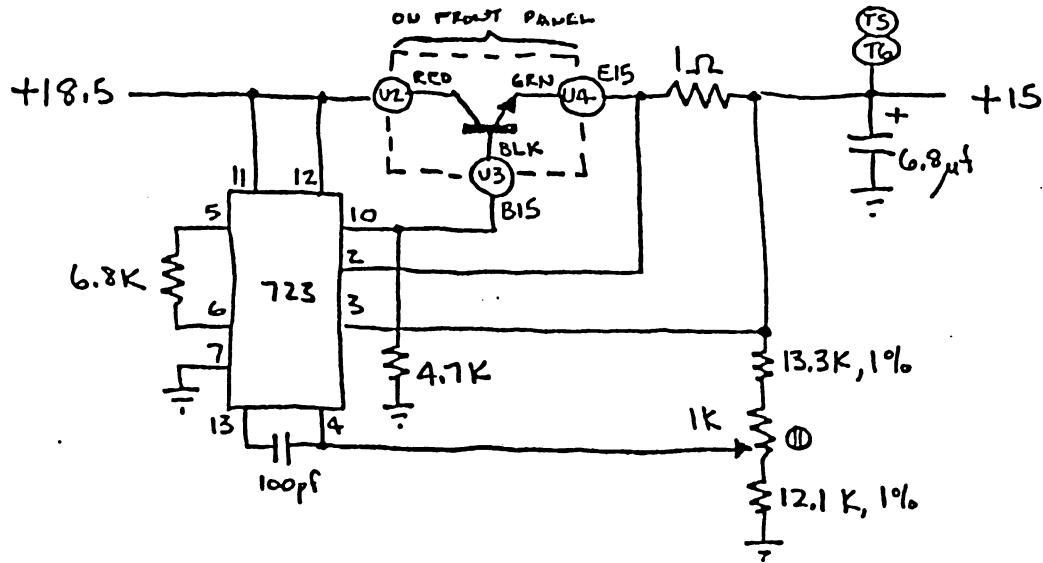
A CONNECTOR		D CONNECTOR		B CONNECTOR		C CONNECTOR	
PIN	FUNCTION	PIN	FUNCTION	PIN	FUNCTION	PIN	FUNCTION
1	KEY'B CV 'A' (CH'S 1,3,5,7)	1	VCO 2 CV 'B' (CH'S 2,4,6,8)	1	GATE 'A' (CH'S 1,3,5,7)	1	GATE 'B' (CH'S 2,4,6,8)
2	KEY'B CV 'B' (CH'S 2,4,6,8)	2	VCO 2 CV 'A' (CH'S 1,3,5,7)	2	KEY	2	KEY
3	GND	3	VCF ENV 'B' (CH'S 2,4,6,8)	3	GND	3	GND
4	GND	4	VCF ENV 'A' (CH'S 1,3,5,7)	4	NOT USED	4	NOT USED
5	KEY'B GATE 'B' (CH'S 2,4,6,8)	5	VCF CV 'B' (CH'S 2,4,6,8)	5	NOT USED	5	NOT USED
6	KEY'B GATE 'A' (CH'S 1,3,5,7)	6	VCF CV 'A' (CH'S 1,3,5,7)	6	VCO 1 CV 'A' (CH'S 1,3,5,7)	6	VCO 1 CV 'B' (CH'S 2,4,6,8)
		7	VCA ENV 'B' (CH'S 2,4,6,8)				
		8	VCA ENV 'A' (CH'S 1,3,5,7)				

OBERHEIM ELECTRONICS, INC

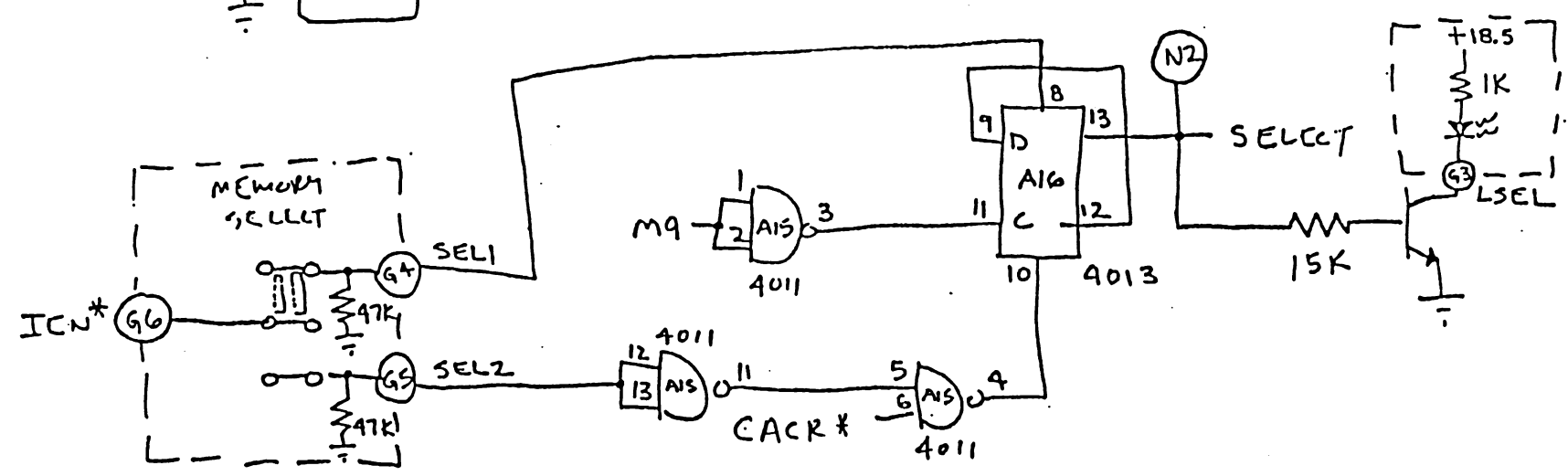
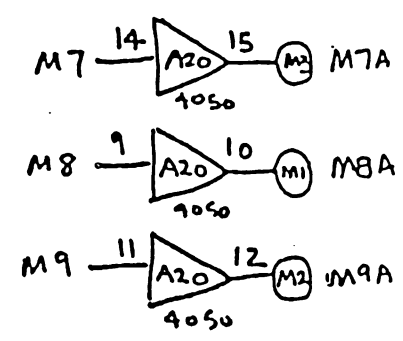
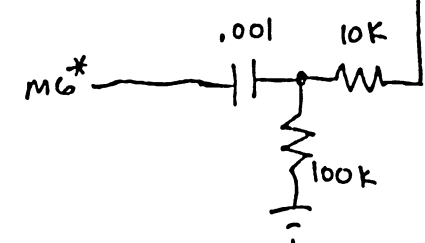
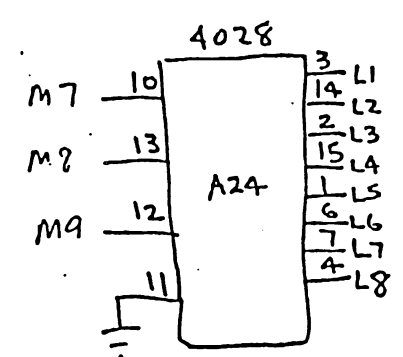
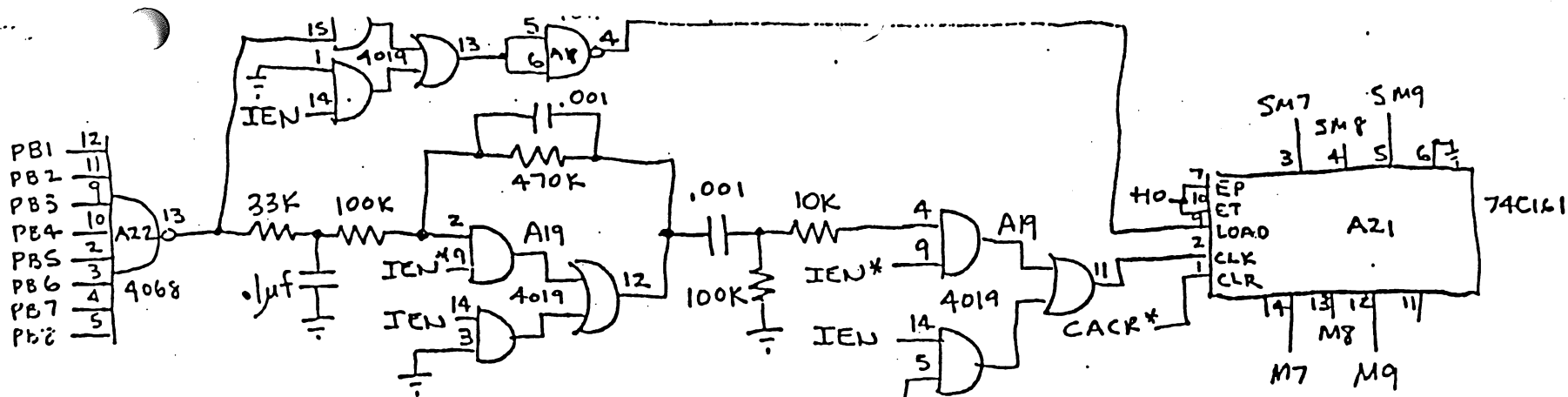
PROGRAMMER
INPUT-OUTPUT CONNECTOR
PLACEMENTS

DEC. 15, 1976

PROGRAMMER POWER SUPPLIES (ON OVERHEAD BD)

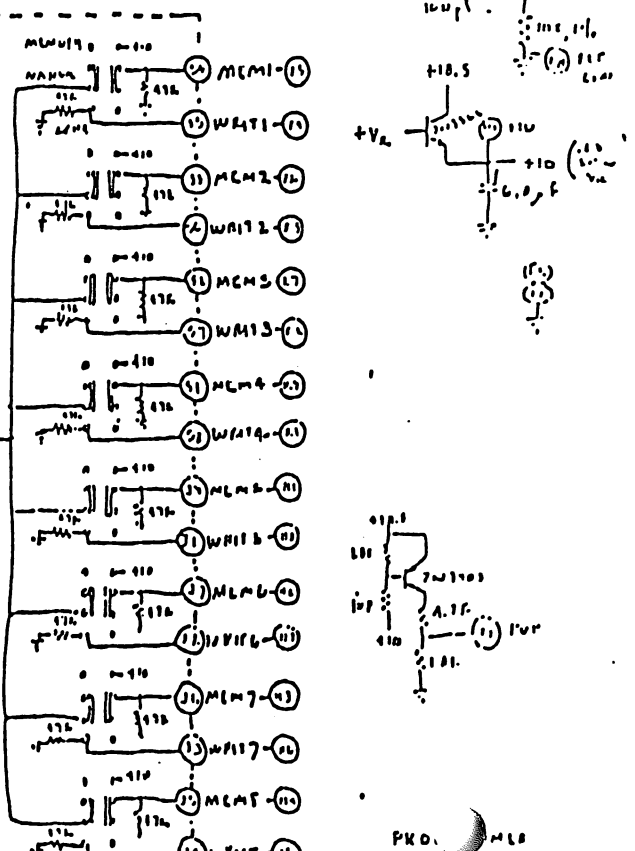
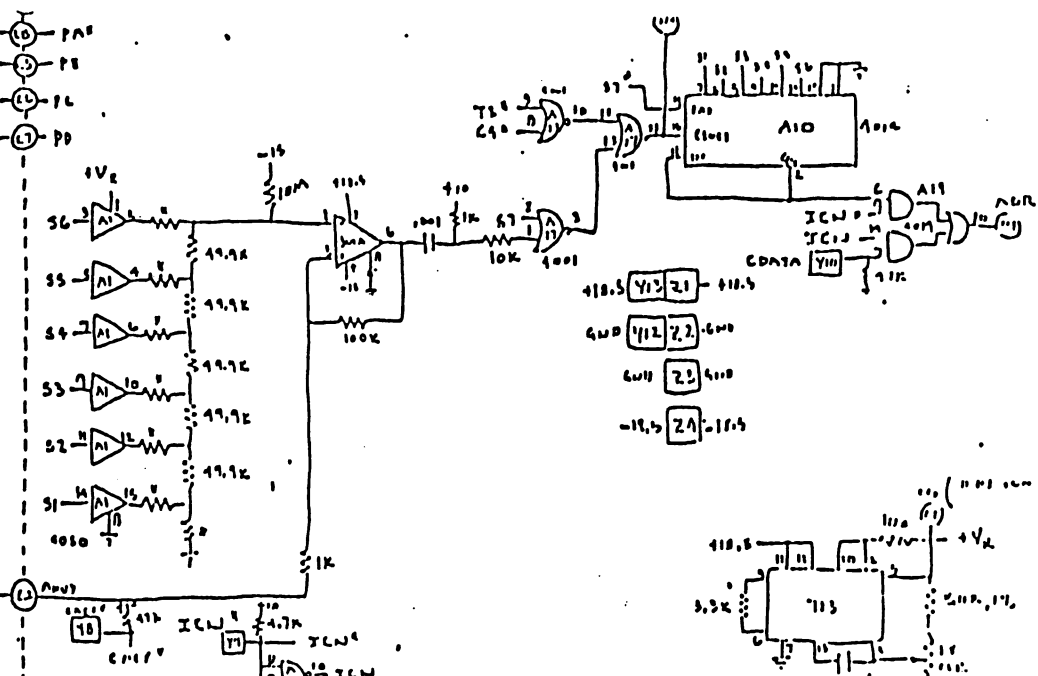
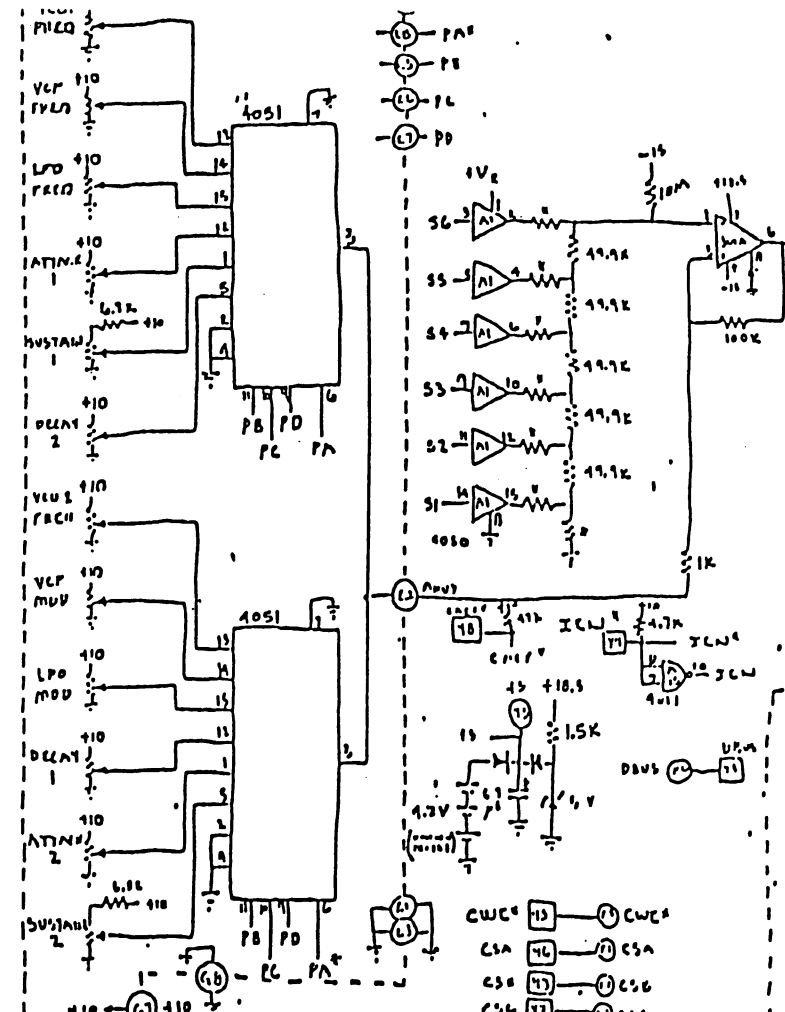
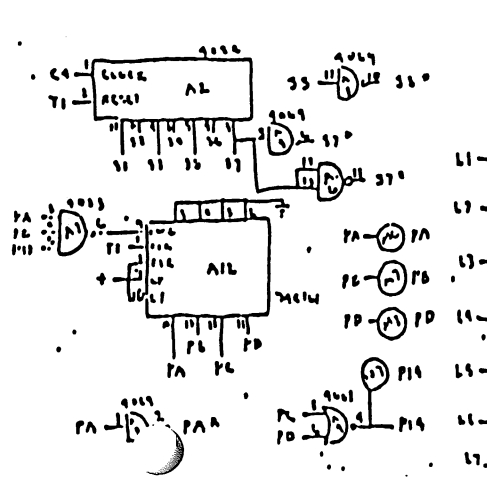
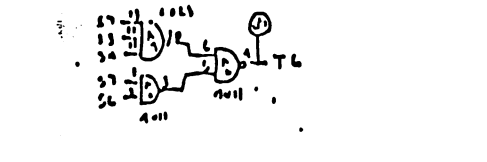
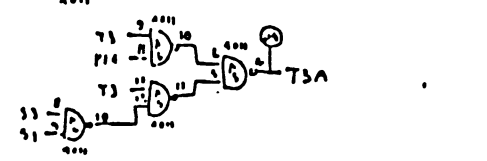
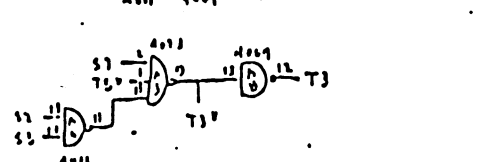
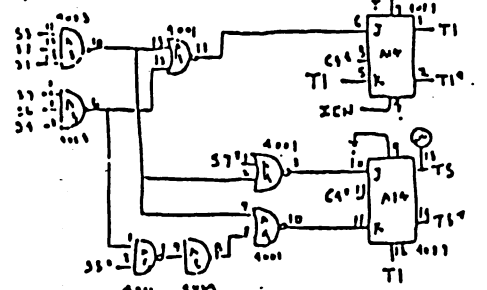
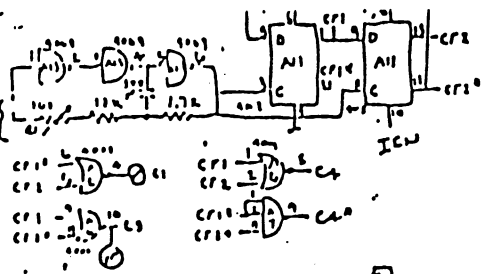


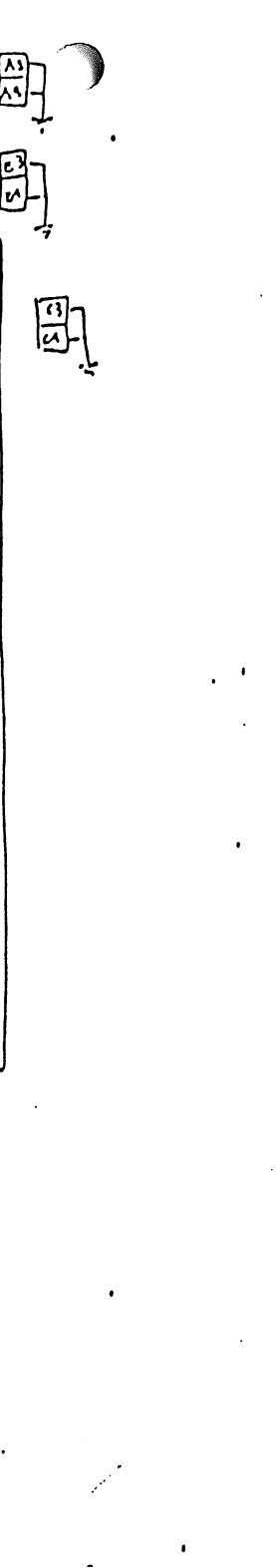
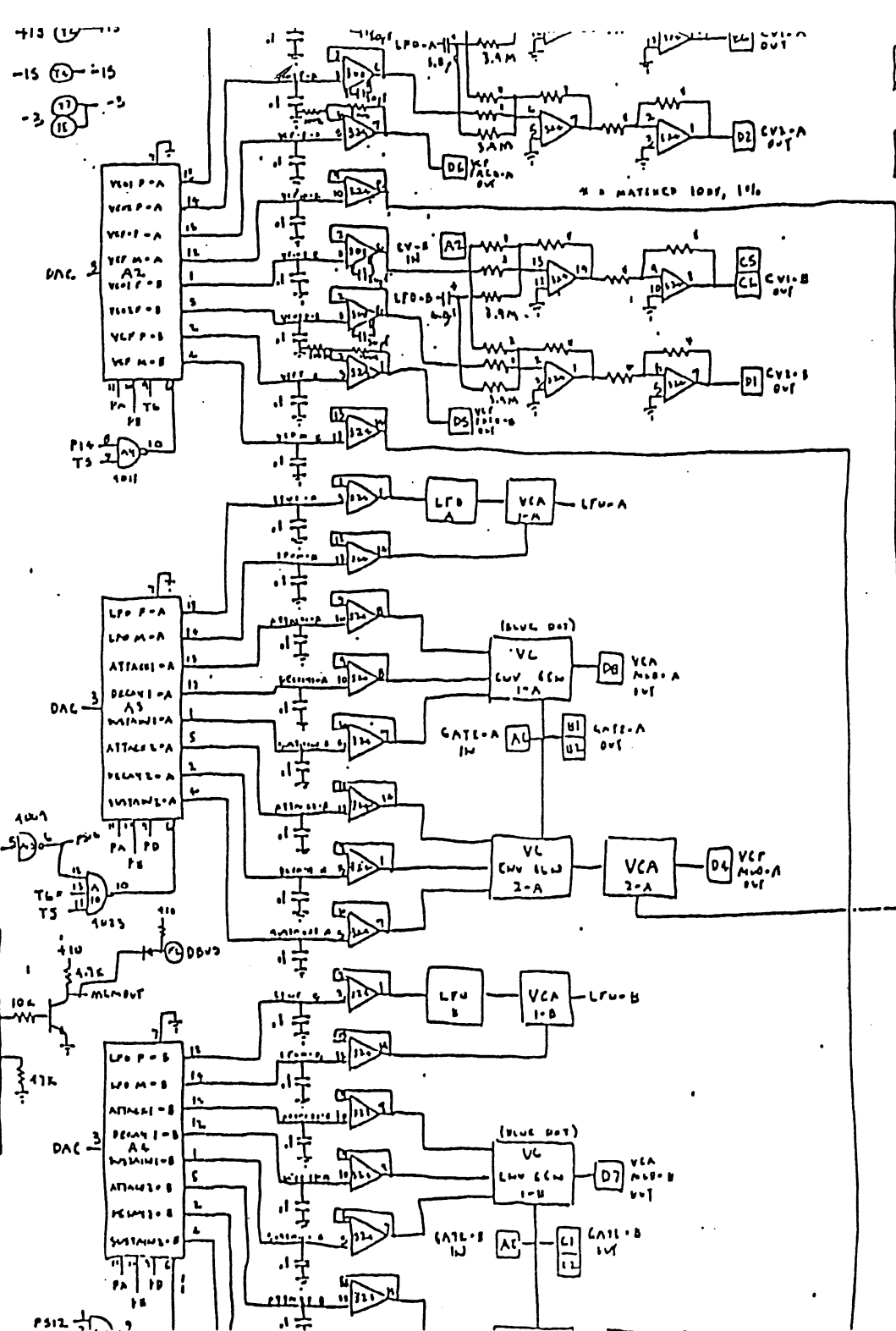
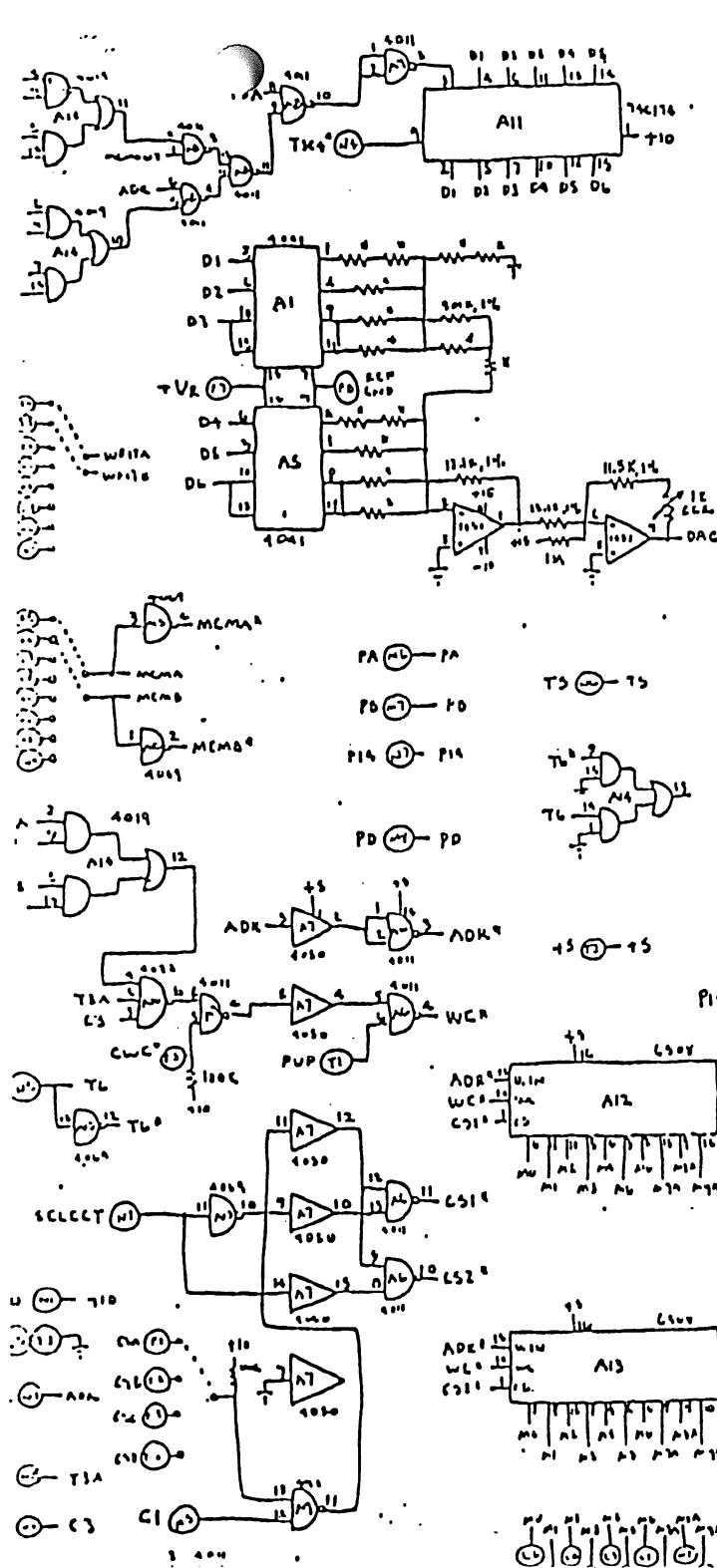
10-20-76



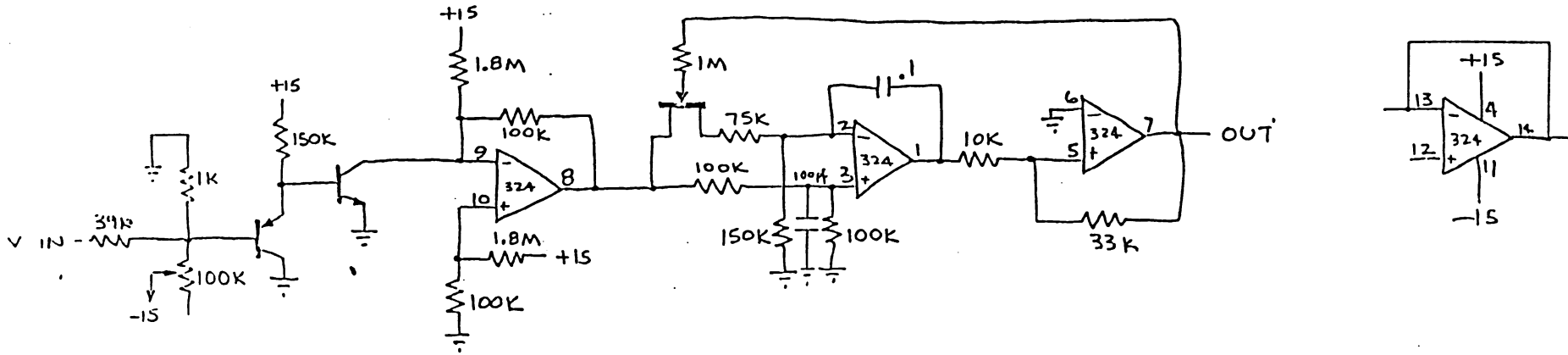
10-20-76

PROGRAMMER OVERHEAD





PROGRAMMER LFO



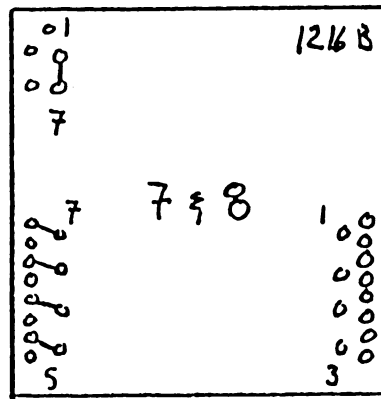
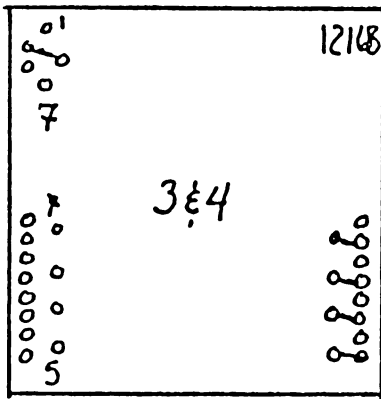
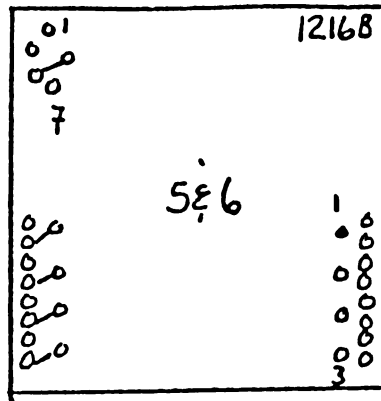
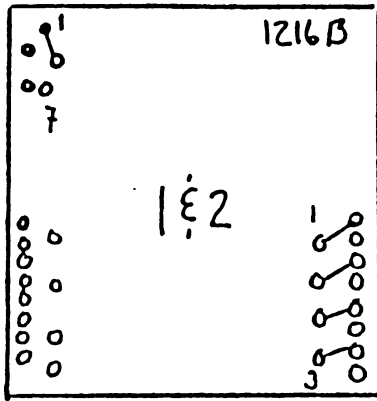
- NOTES:
 (UNLESS SPECIFIED OTHERWISE)
1. ALL RESISTORS ARE $\pm 5\%$
 2. ALL CAPACITORS IN μ F
 3. ALL NPN TRANSISTORS - 2N5172
 4. ALL PNP TRANSISTORS - 2N3903
 5. ALL DIODES - 1N4148
 6. ALL FET'S - 2N4302

10-20-76

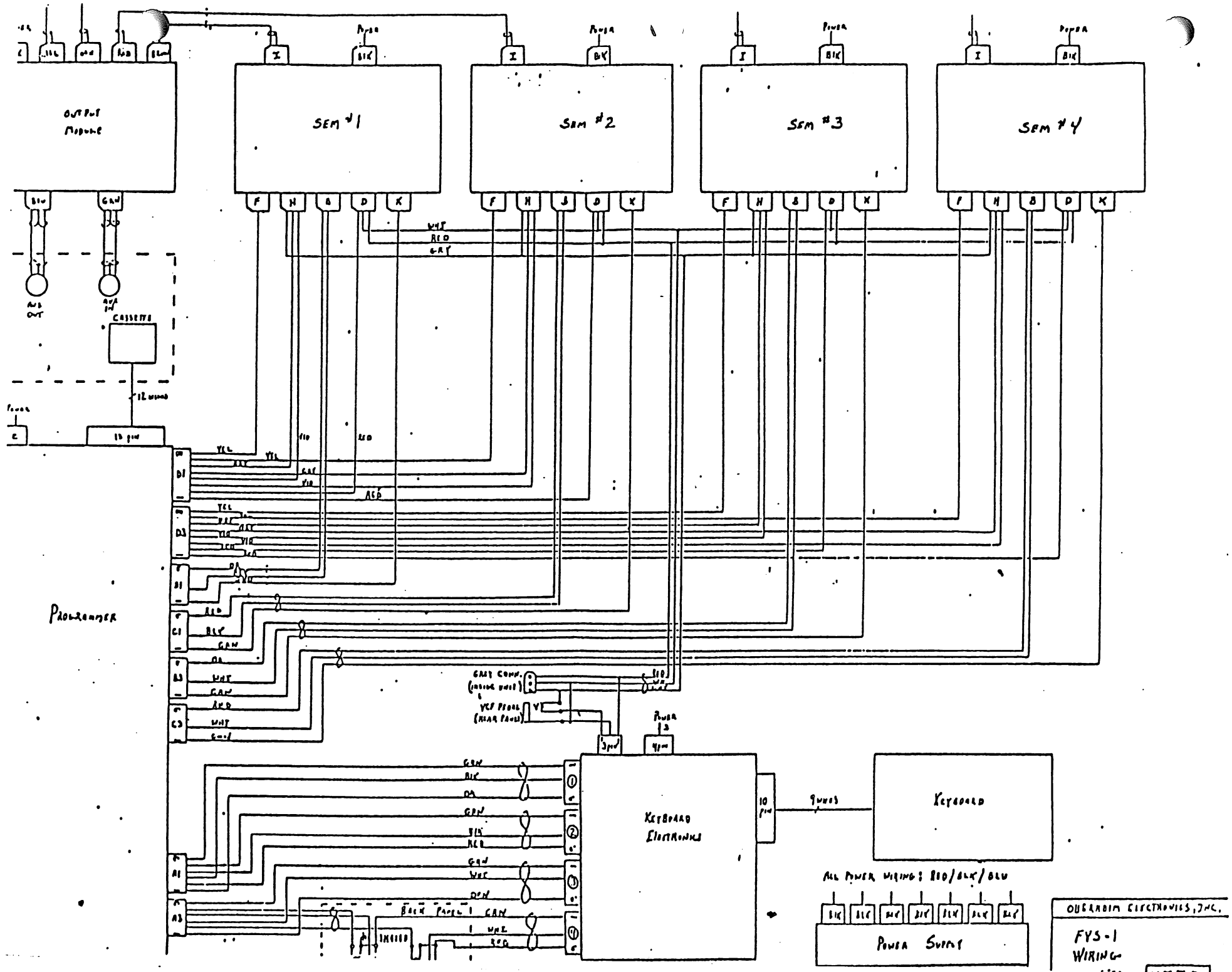
A

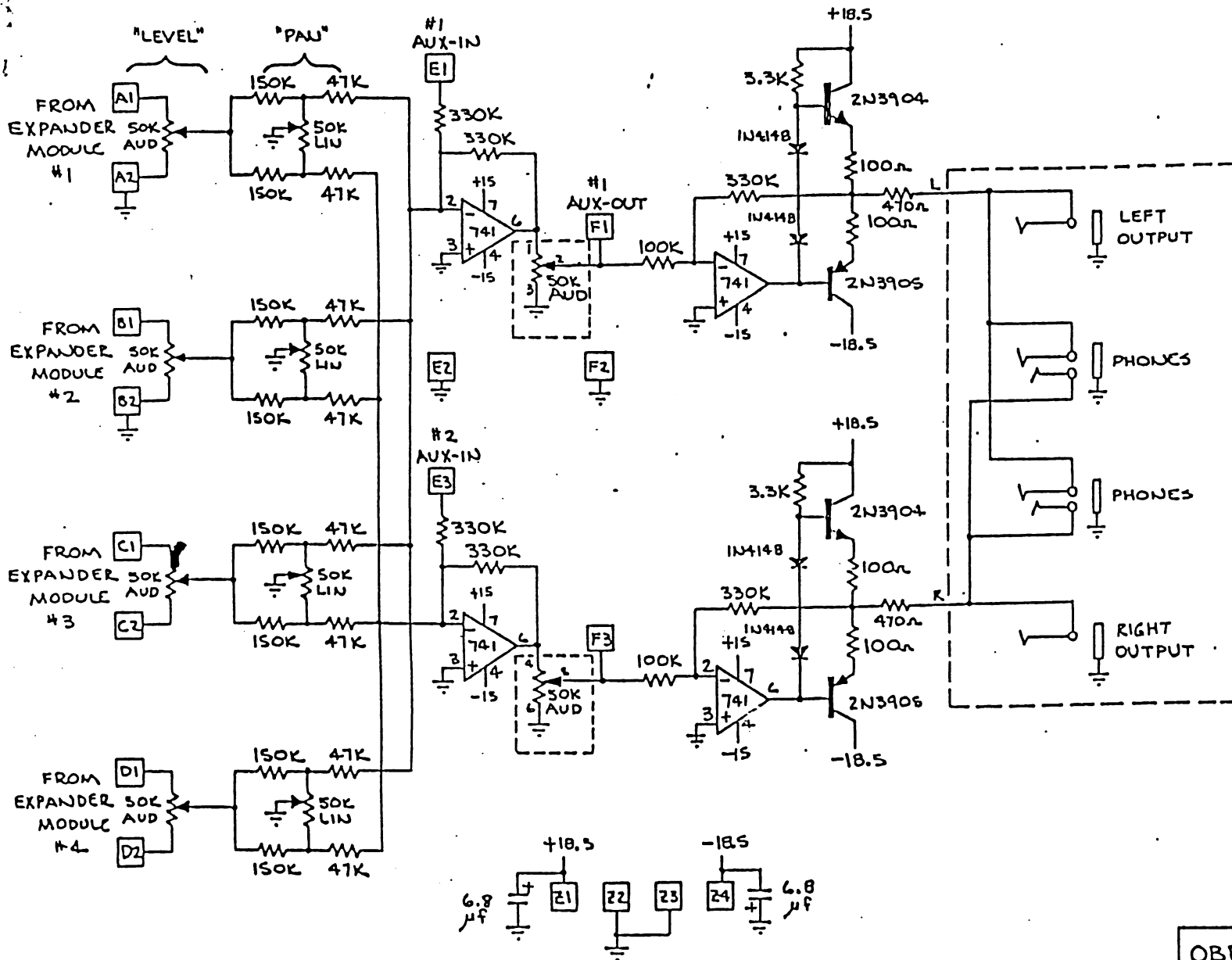
PSP-1 SHEET 2 of 2

1389



CHANNEL T.S.
 JUMPING
 PSP-1





OBERHEIM ELECTRONICS, INC.

- SCHEMATIC -

4 VOICE OUTPUT MODULE

MAR. 8, 1976

1173