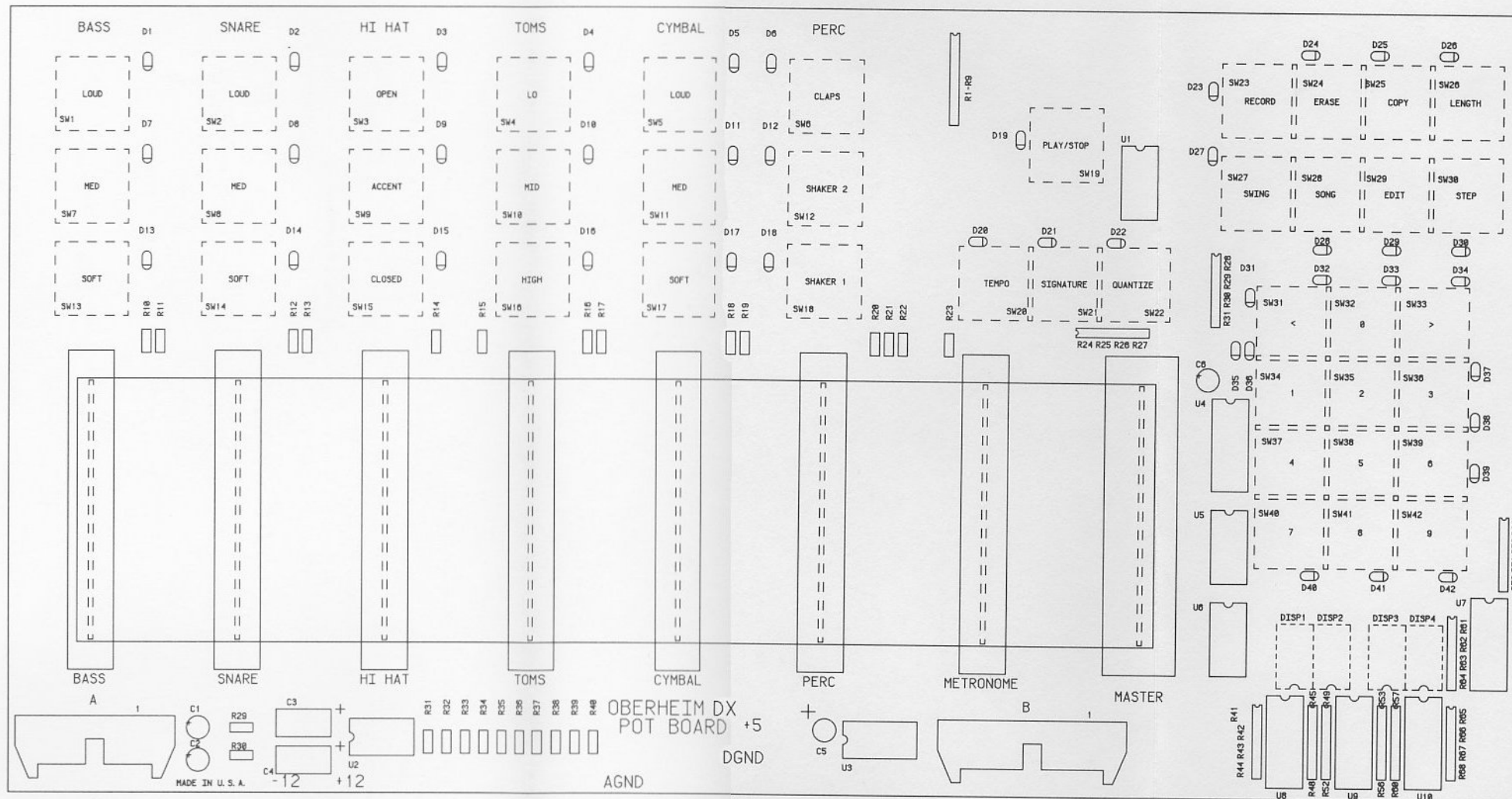


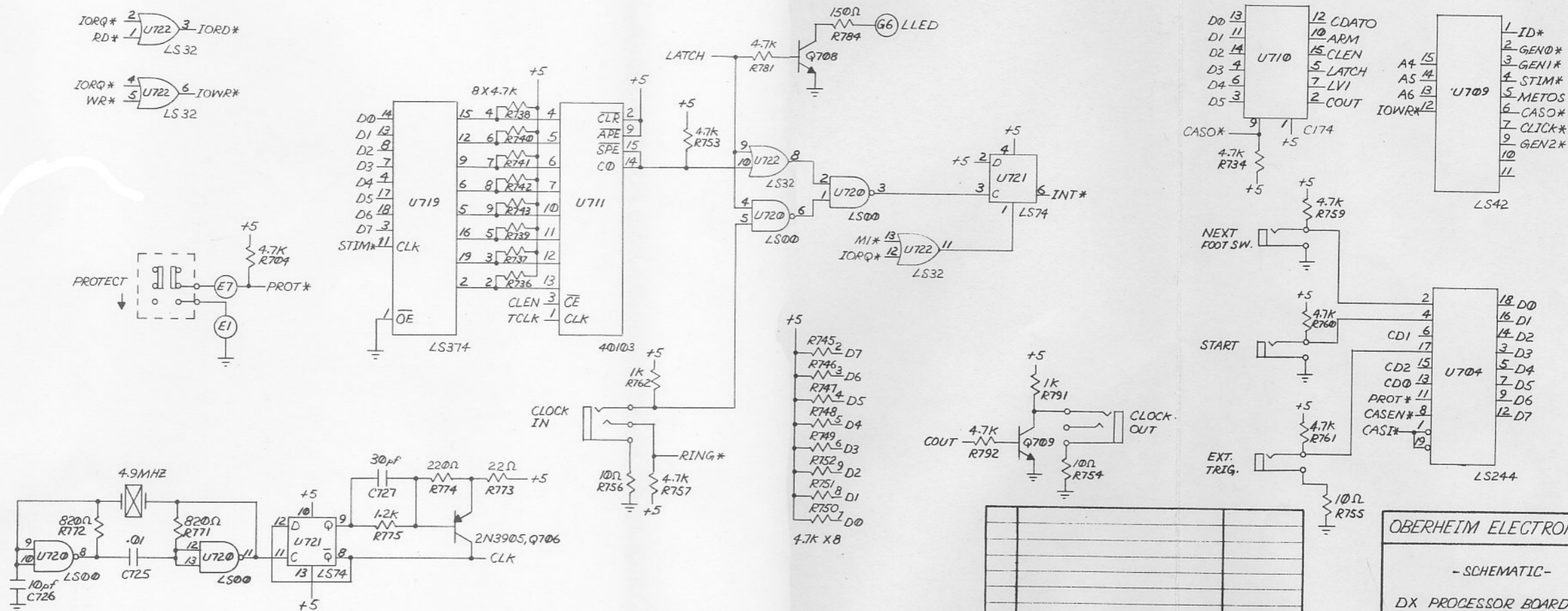
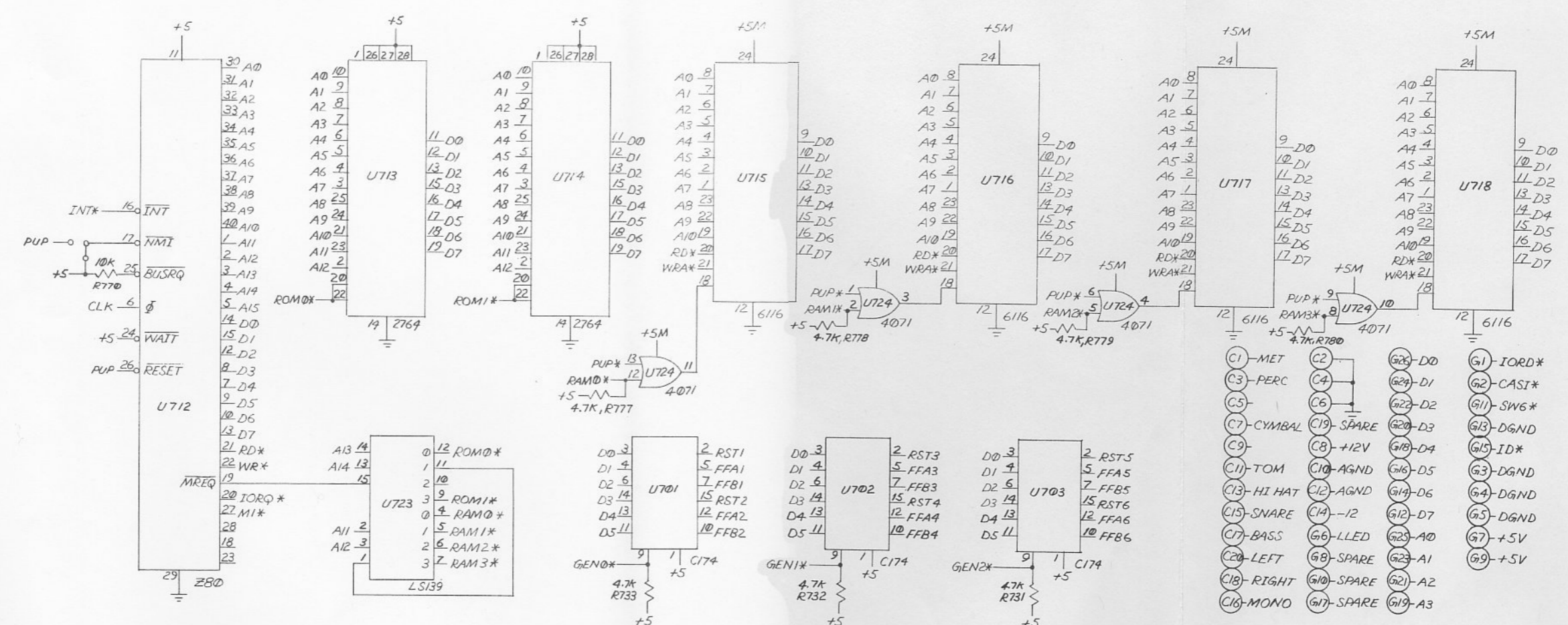
A	INITIAL RELEASE	5-15-83
LTR	REVISION	DATE

OBERHEIM ELECTRONICS INC.  
- SCHEMATIC -  
DX SWITCH BOARD  
J.R.



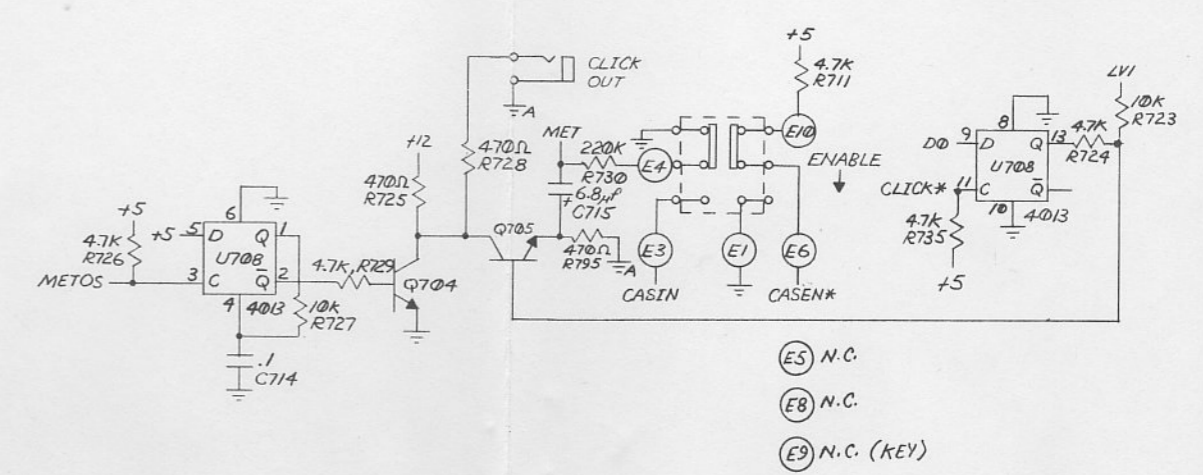
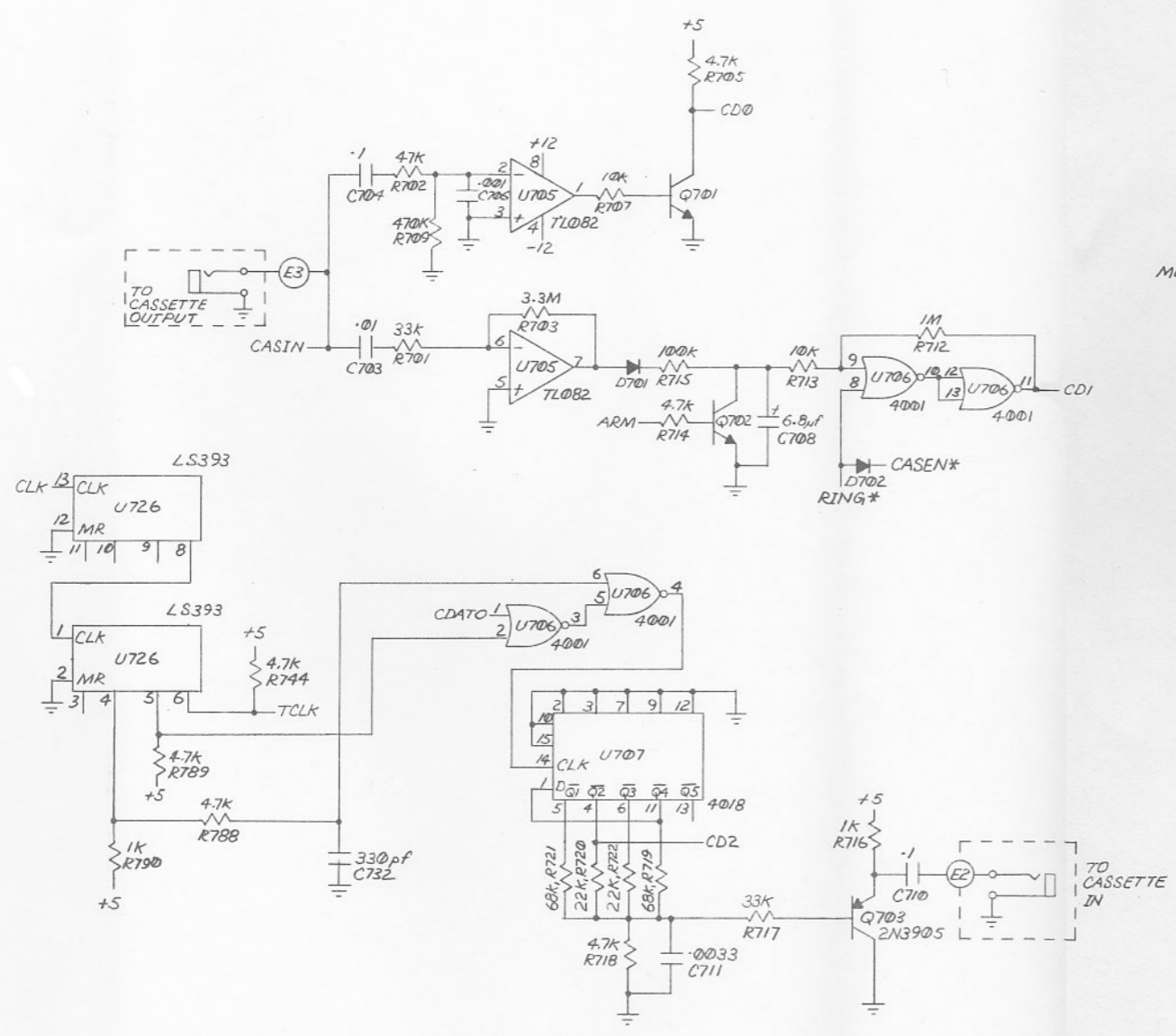
OBERHEIM ELECTRONICS, INC.

SCALE:	APPROVED BY:	DRAWN BY PC 80
DATE:		REVISED
PARTS LAYOUT DX POT BOARD REV. C		
		DRAWING NUMBER

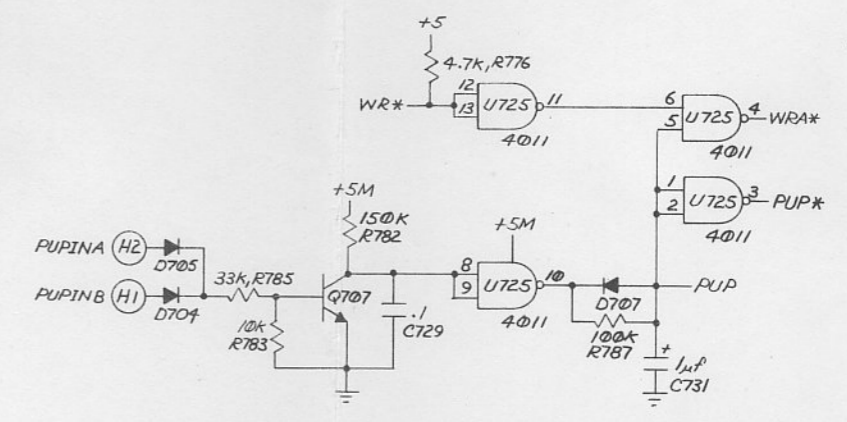


A	INITIAL RELEASE	5-15-83	SHEET 1 OF 7
LTR	REVISION	DATE	

OBERHEIM ELECTRONICS INC.  
 - SCHEMATIC -  
 DX PROCESSOR BOARD  
 J.P.  
 1721A



- (E5) N.C.
- (E8) N.C.
- (E9) N.C. (KEY)

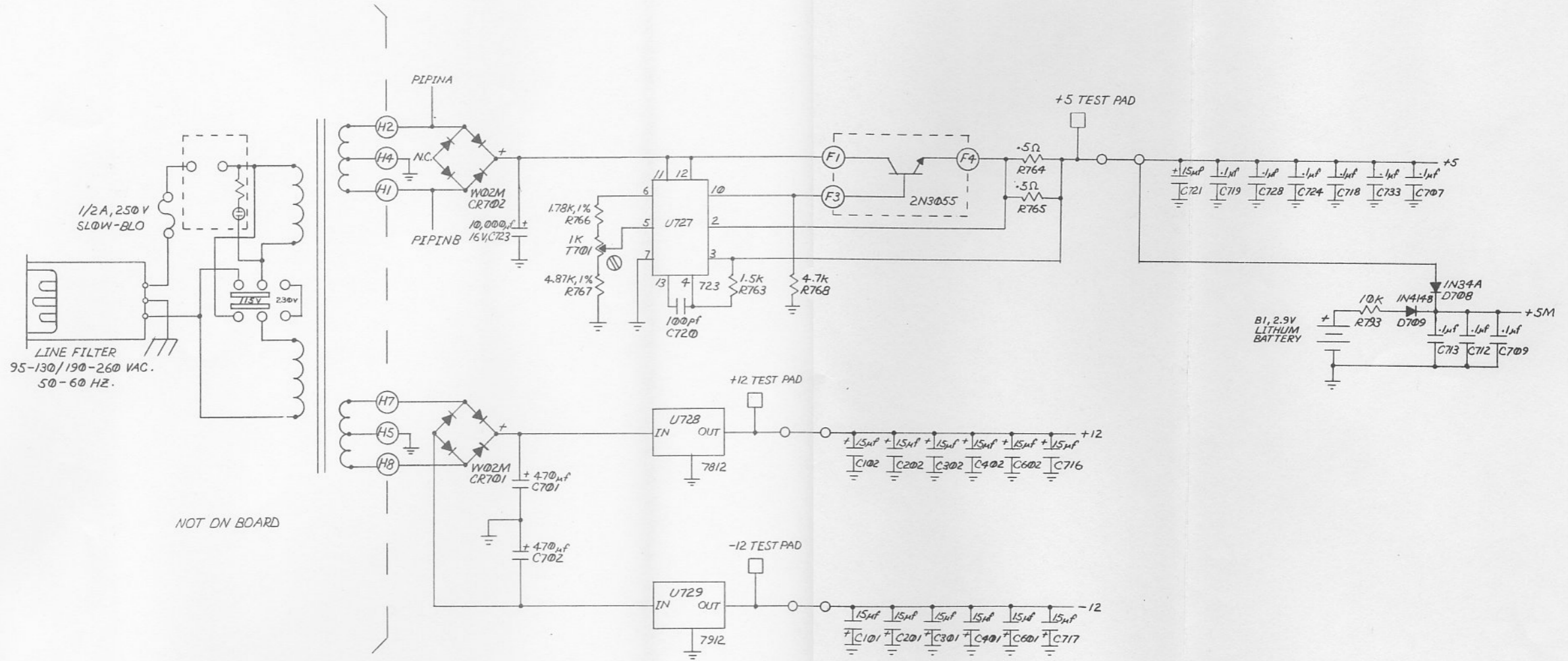


OBERHEIM ELECTRONICS INC.

-SCHEMATIC-  
DX PROCESSOR BOARD  
J.R.

SHEET 2  
OF 7

1721A

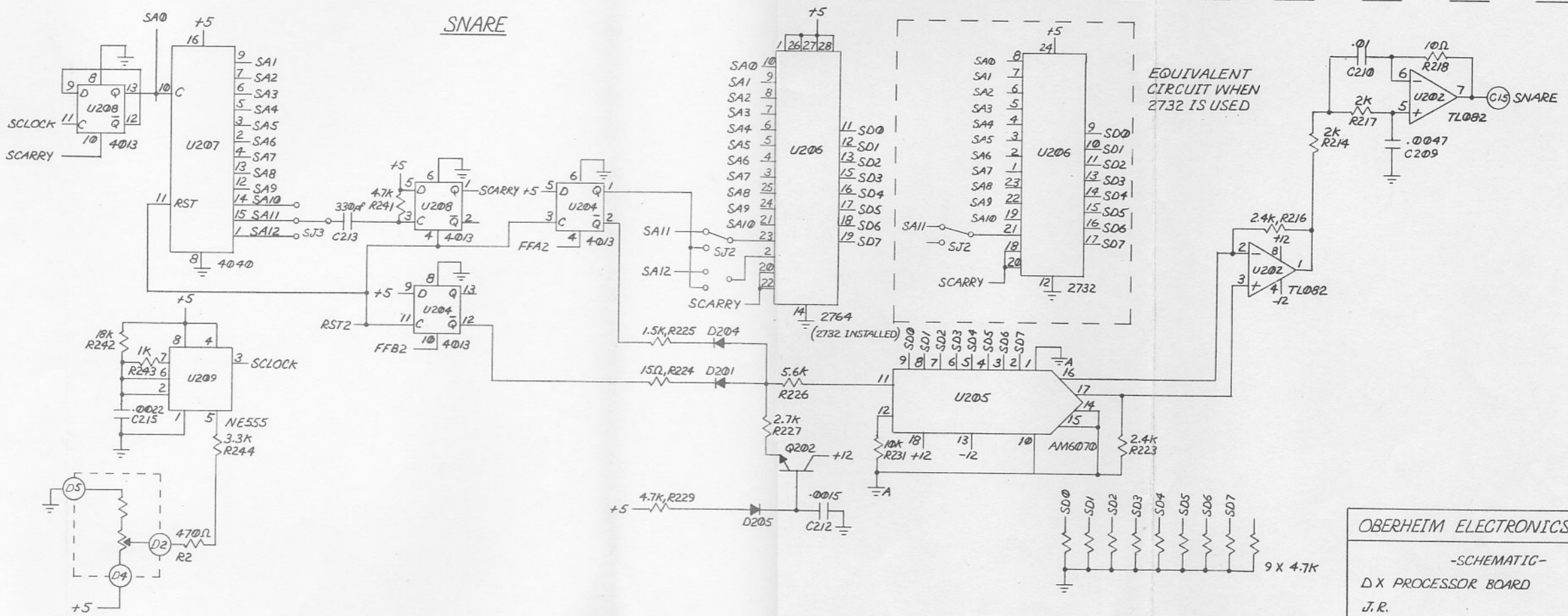
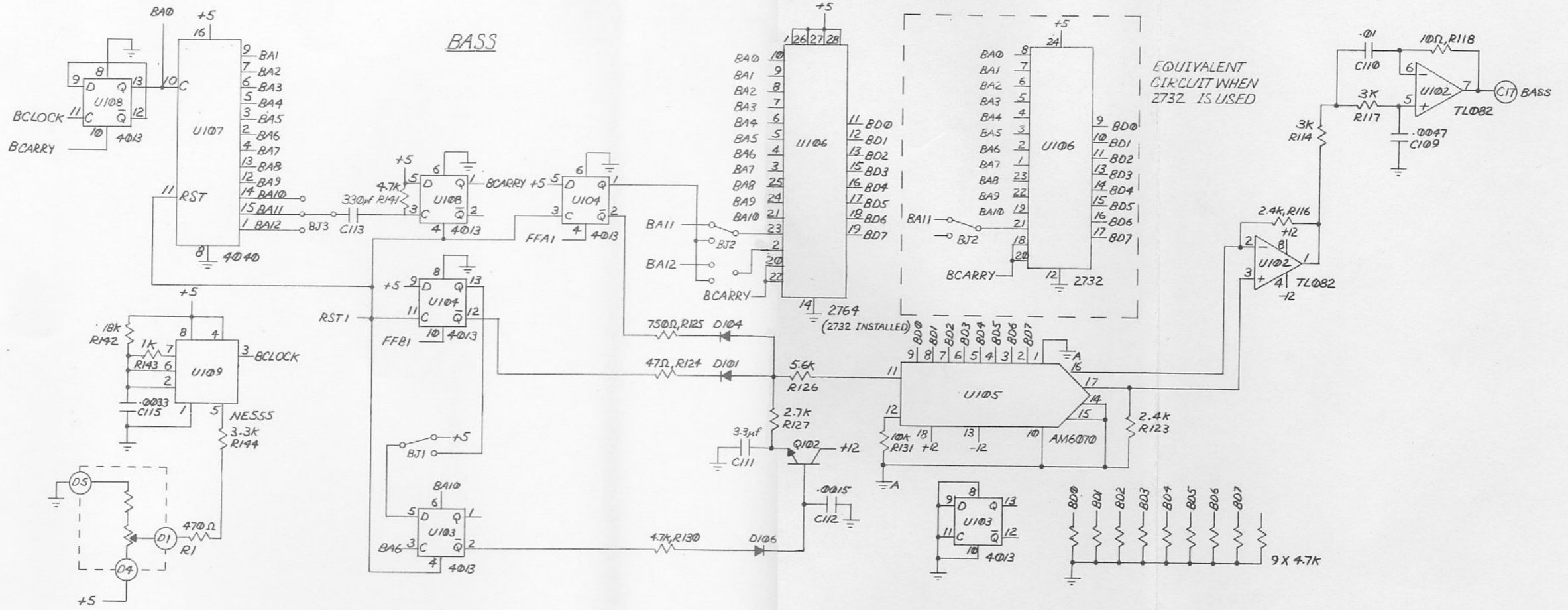


R 76  
 C 101, 201, 102, 202, ...  
 C 701

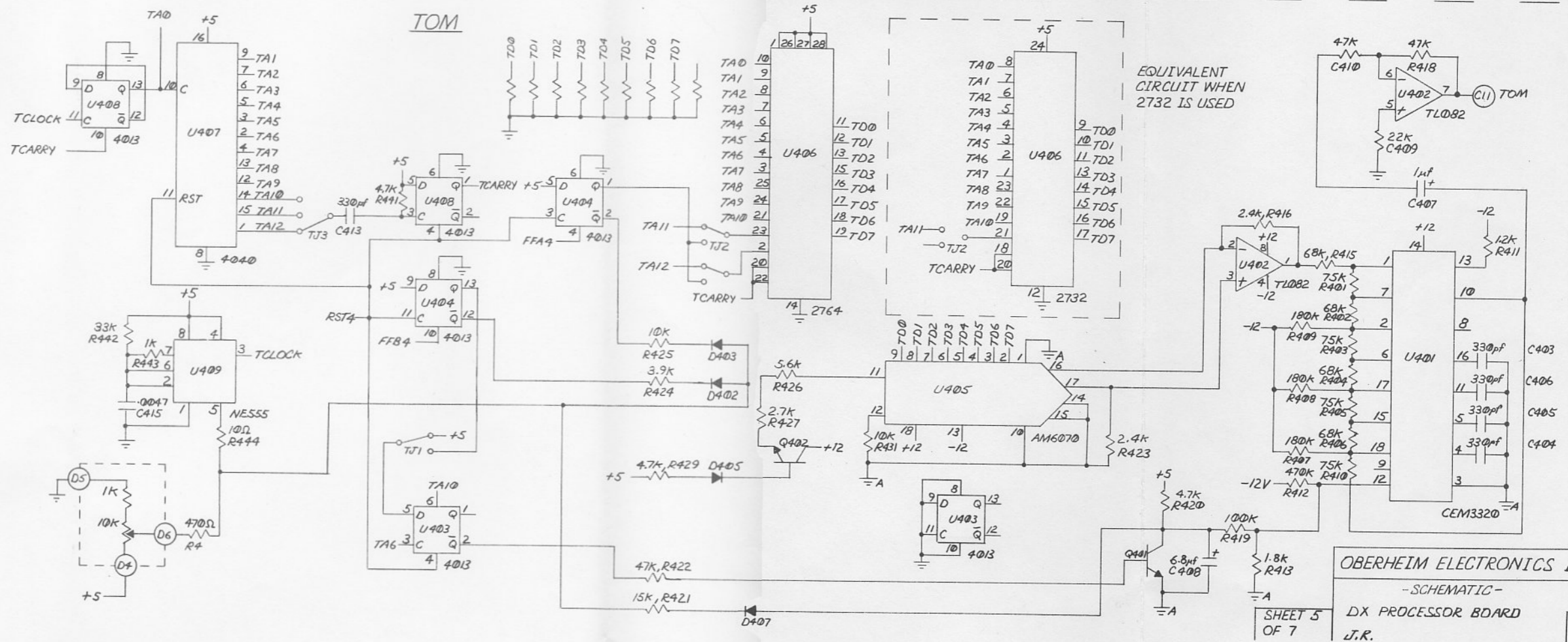
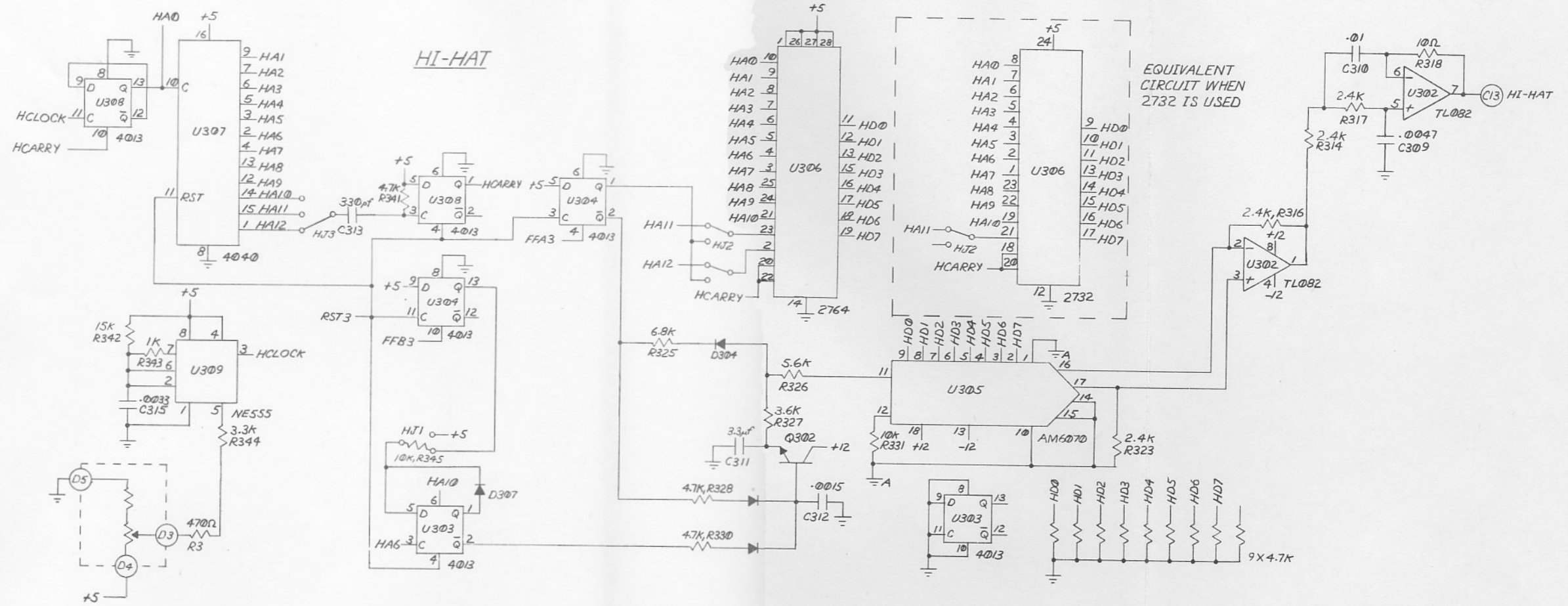
OBERHEIM ELECTRONICS INC.  
 -SCHEMATIC-  
 DX PROCESSOR BOARD.

SHEET 3  
 OF 7

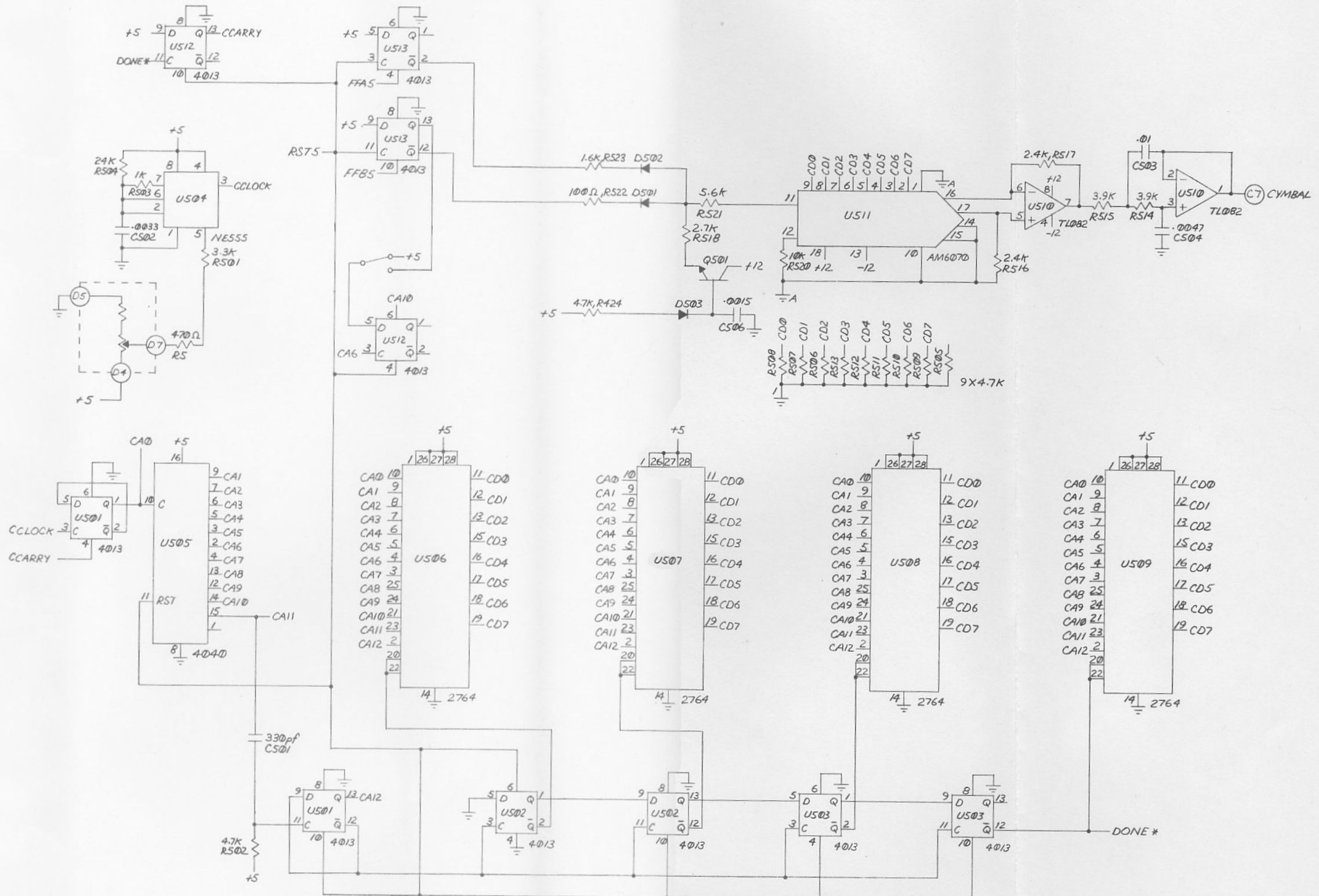
1721A



OBERHEIM ELECTRONICS INC.  
-SCHEMATIC-  
DX PROCESSOR BOARD  
J.R.



CYMBAL



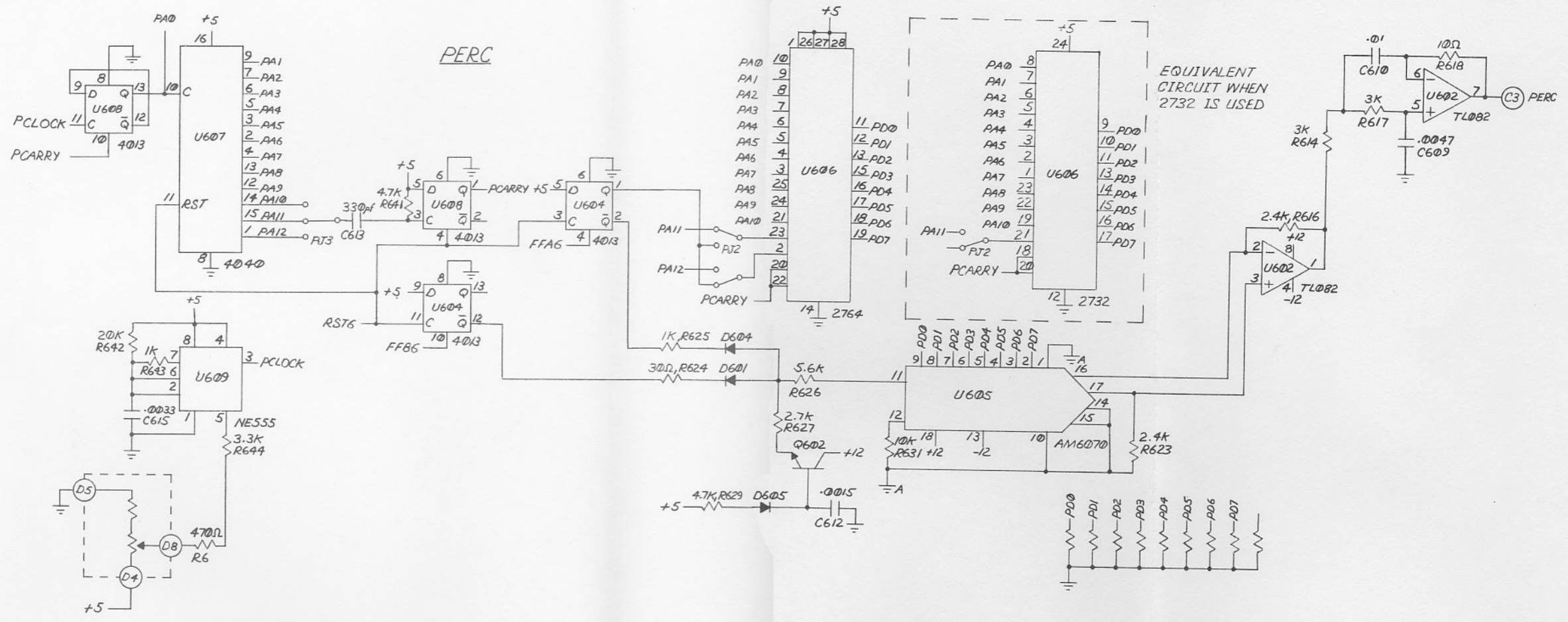
OBERHEIM ELECTRONICS INC.

-SCHEMATIC-  
DX PROCESSOR BOARD  
J.R.

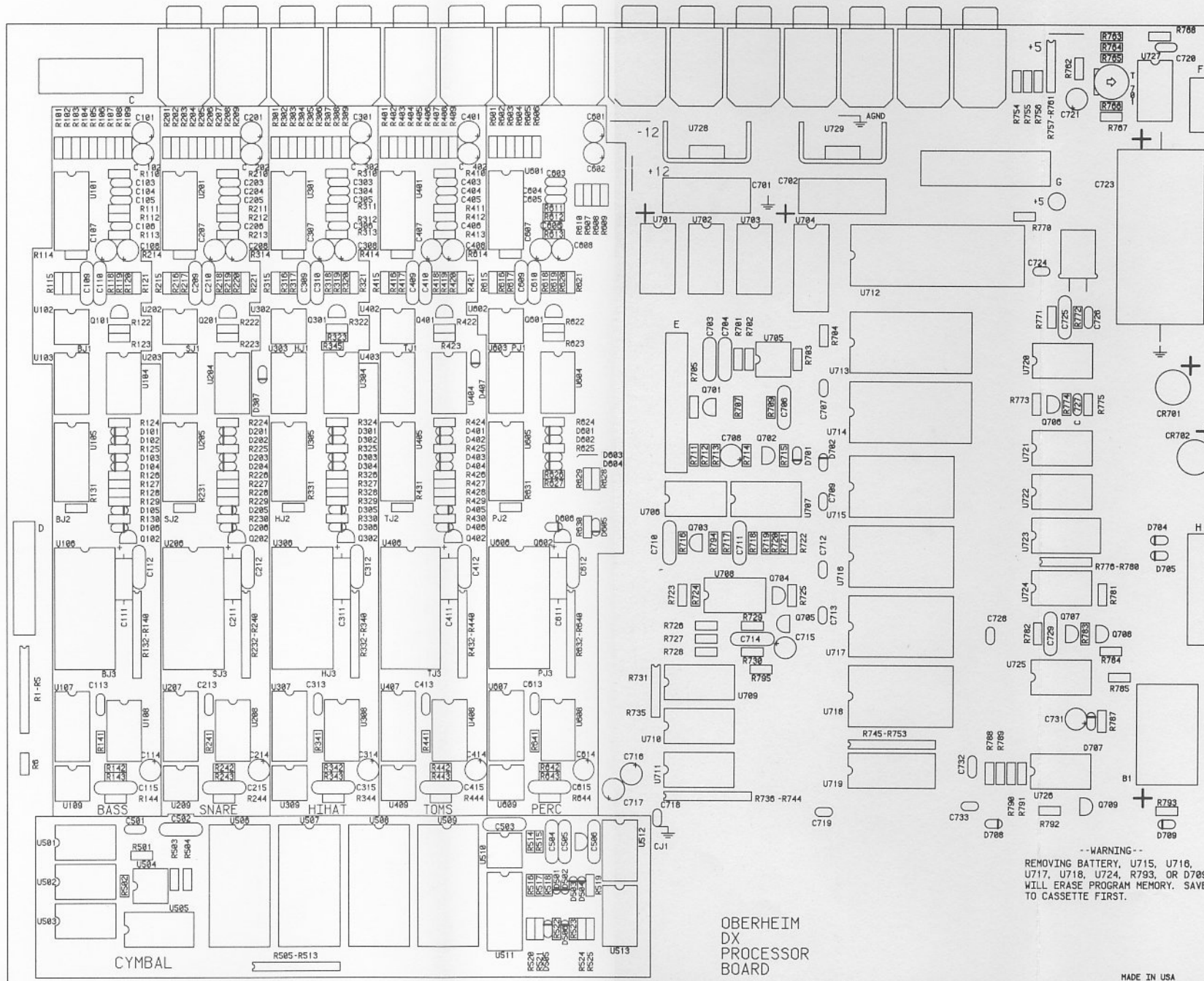
SHEET 6  
OF 7

1721A





OBERHEIM ELECTRONICS INC.  
 - SCHEMATIC -  
 DX PROCESSOR BOARD  
 J.R.



OBERHEIM ELECTRONICS, INC.

SCALE:	APPROVED BY:	DRAWN BY FC 80
DATE:	REVISED	
-- PARTS LAYOUT --		
DX PROCESSOR BOARD RSV. C		
DRAWING NUMBER		