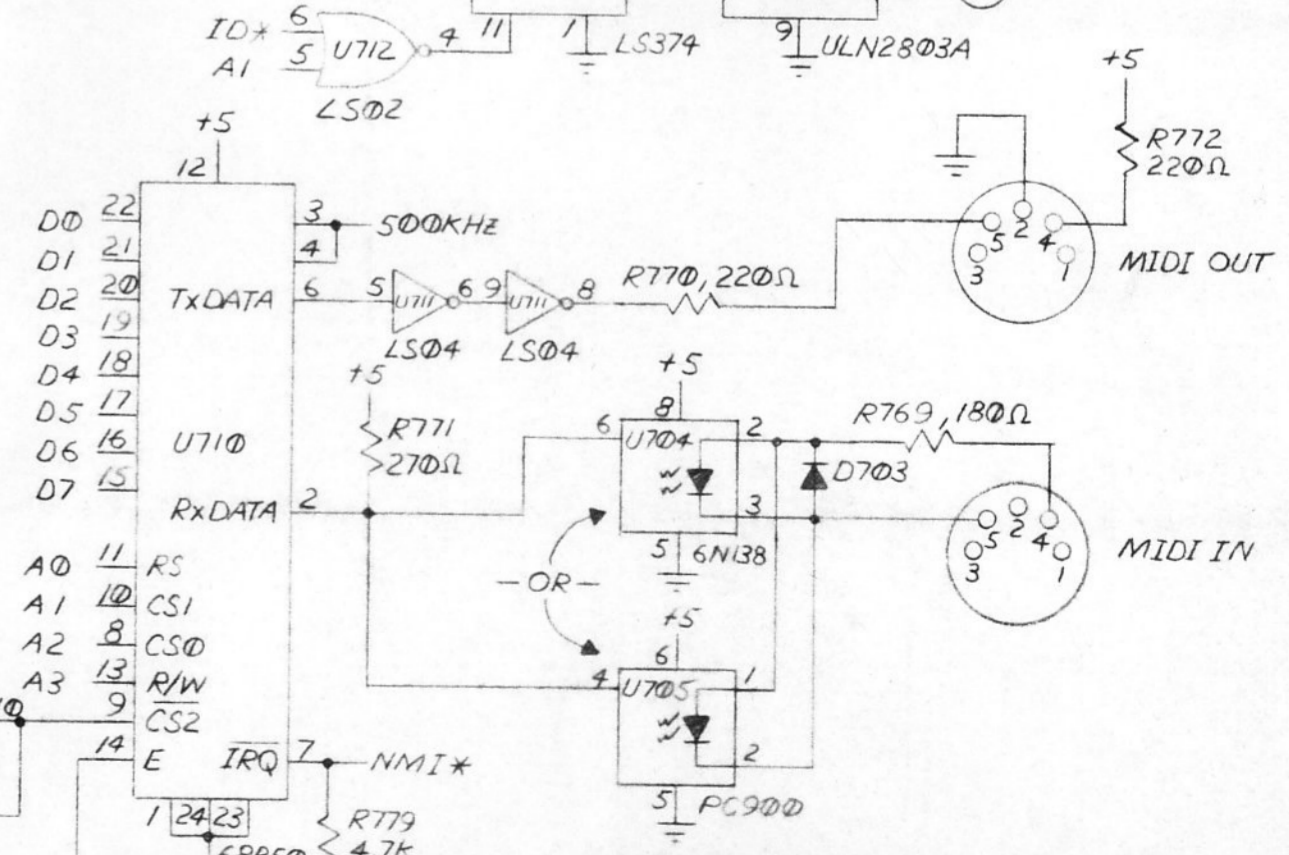
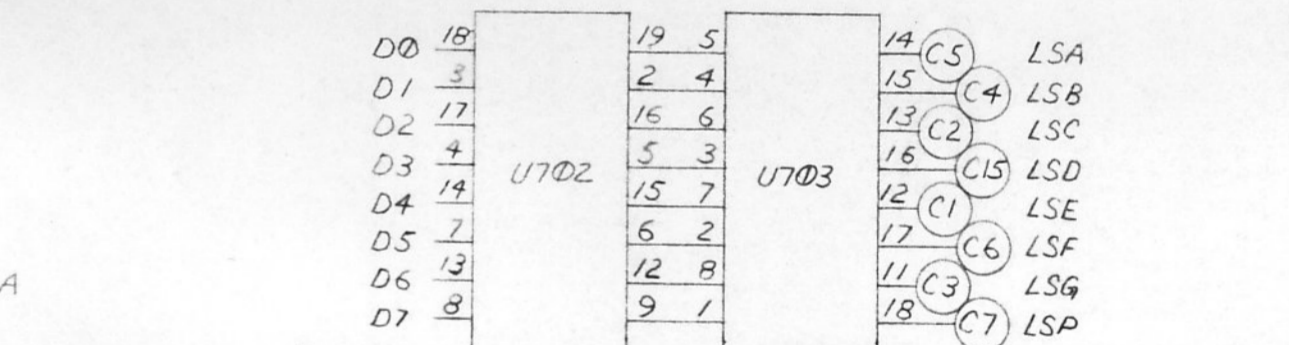
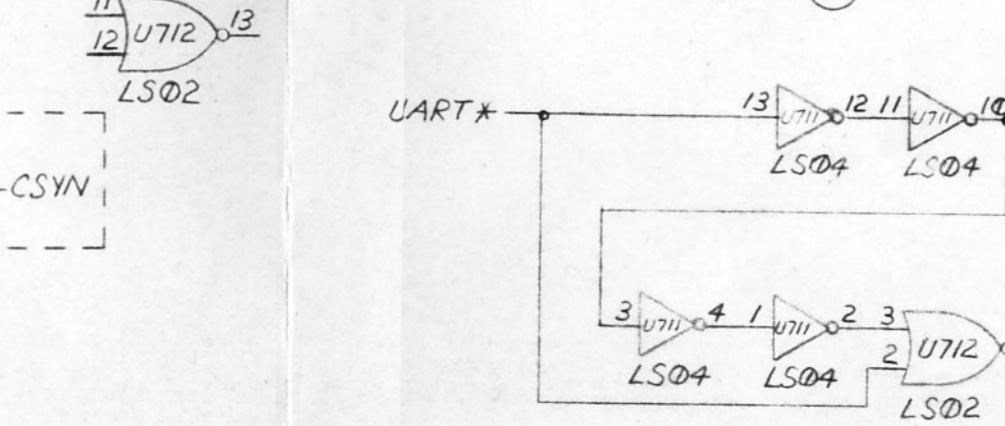
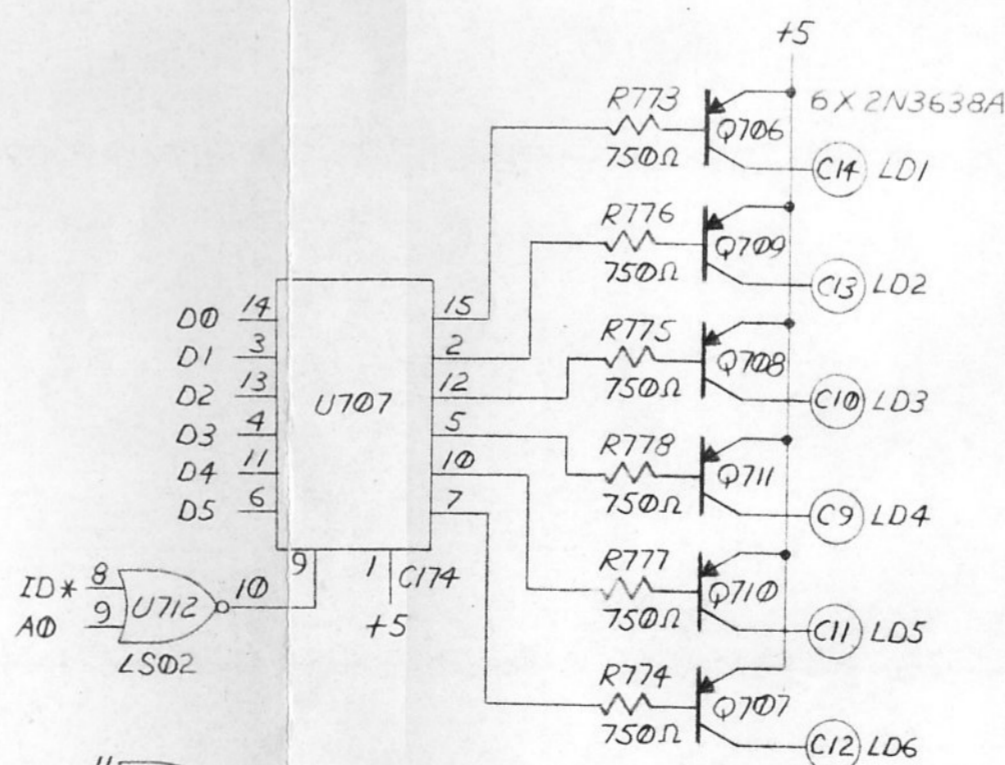
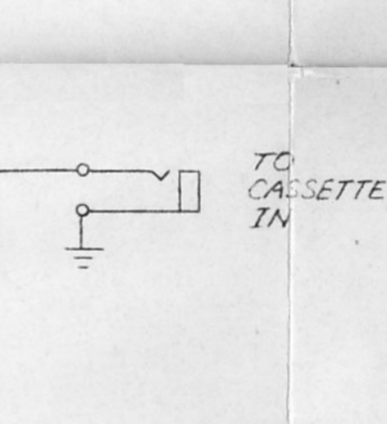
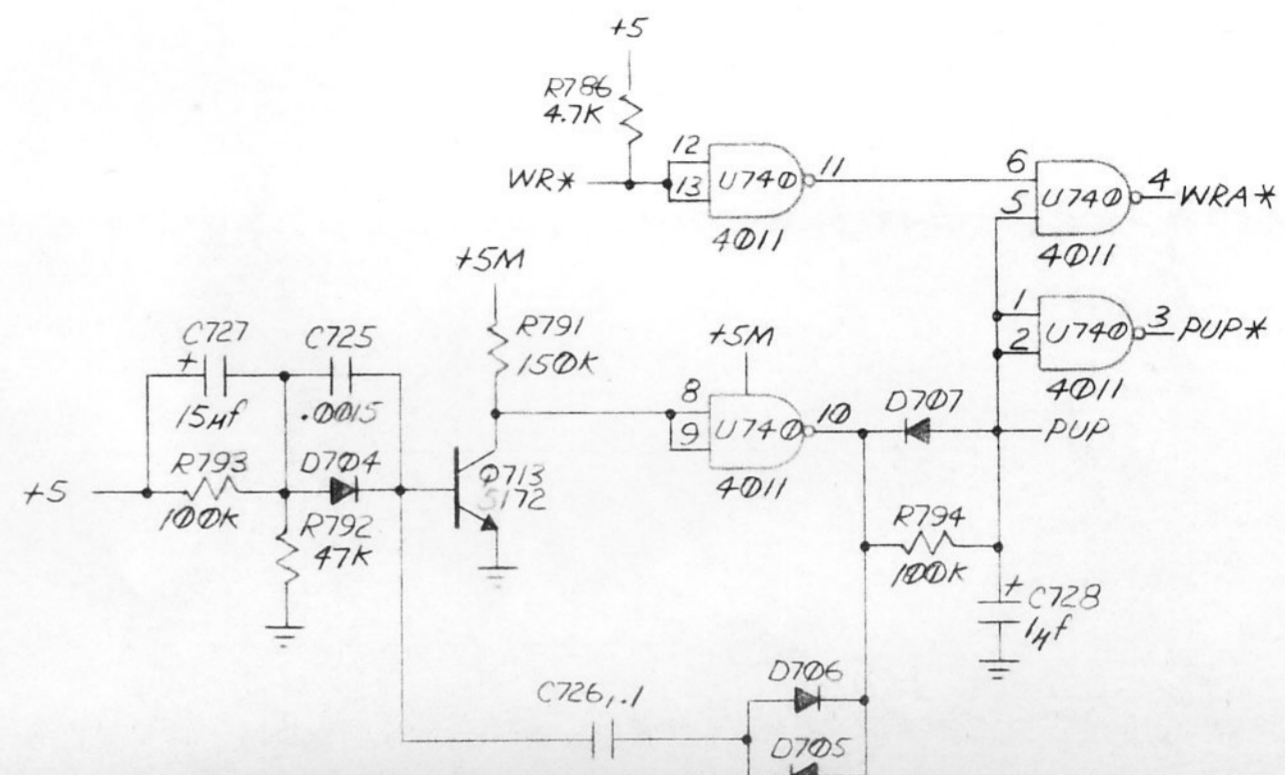
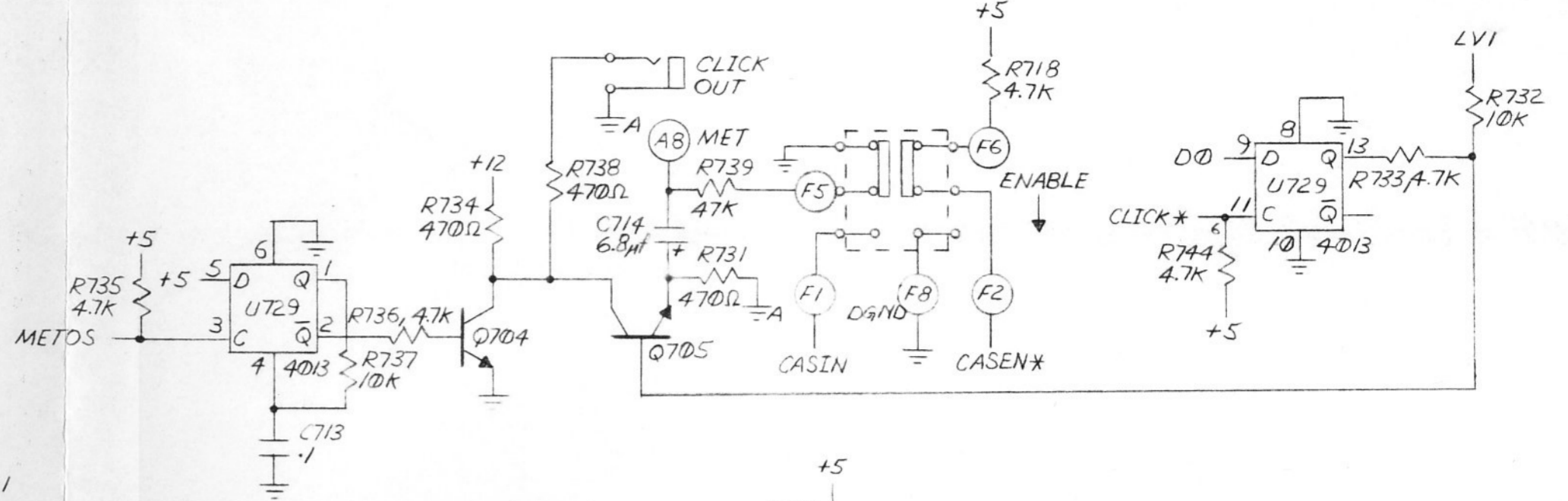
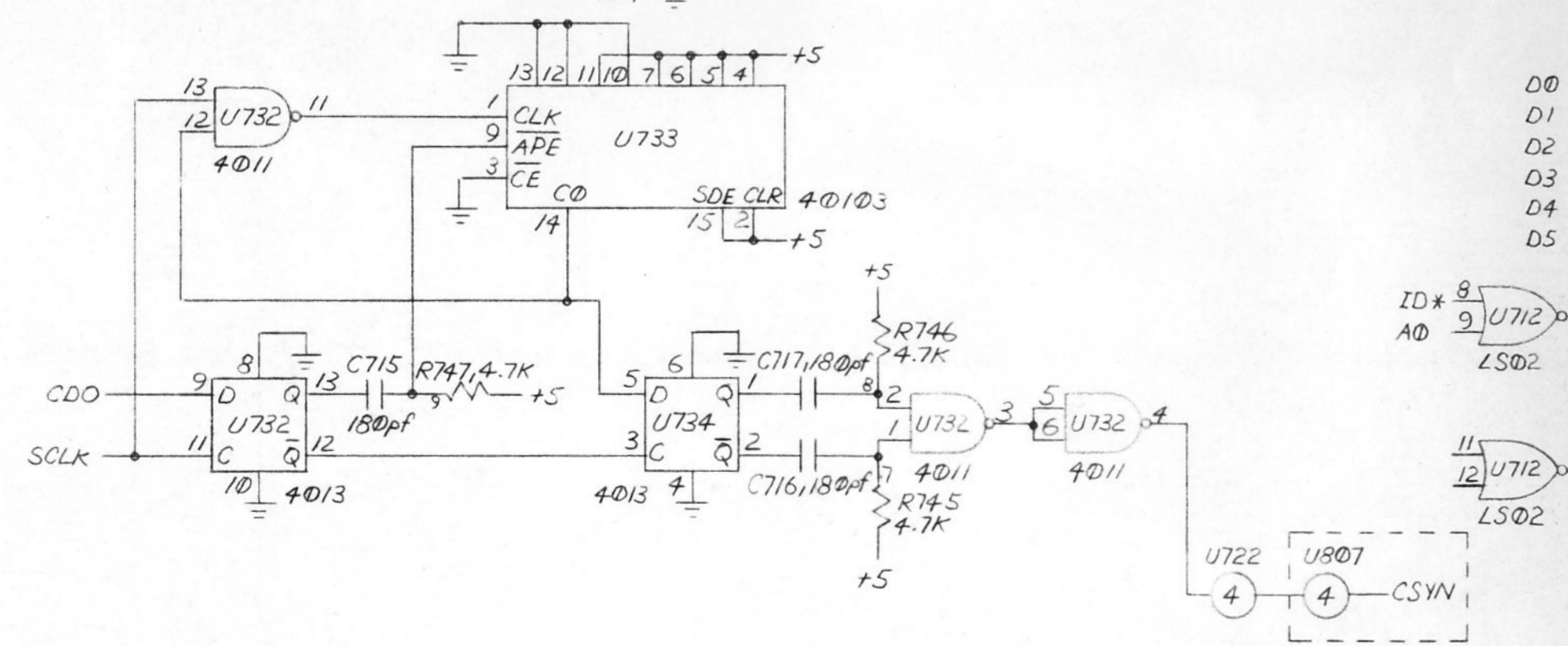
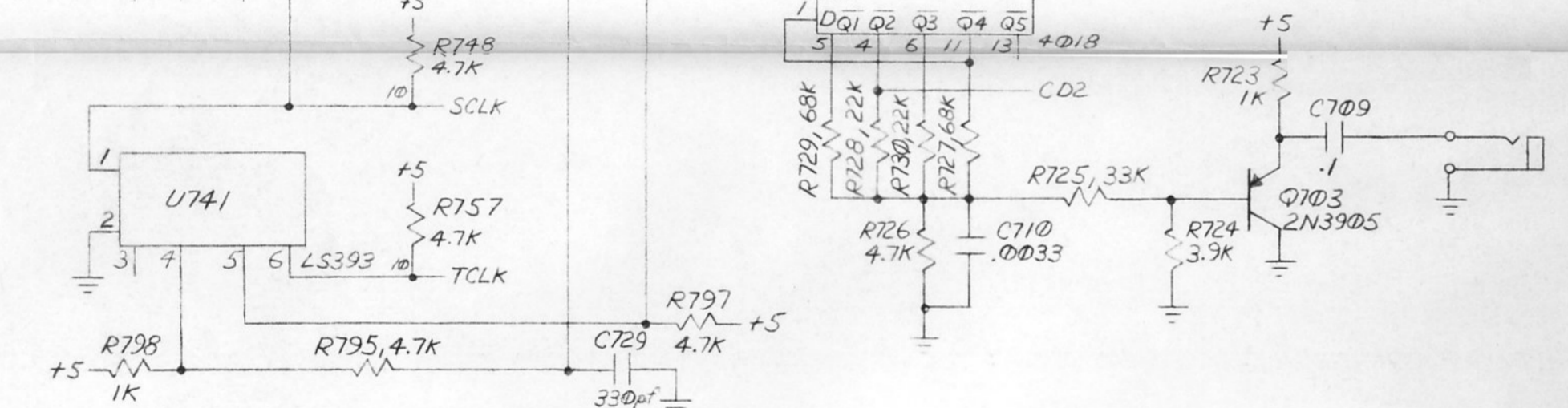
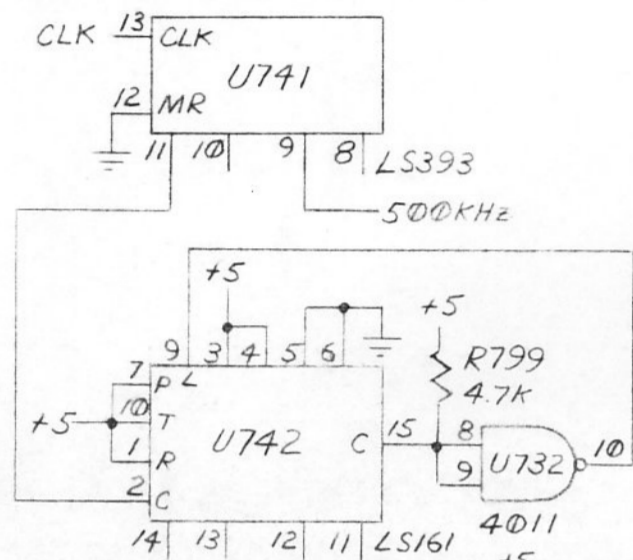
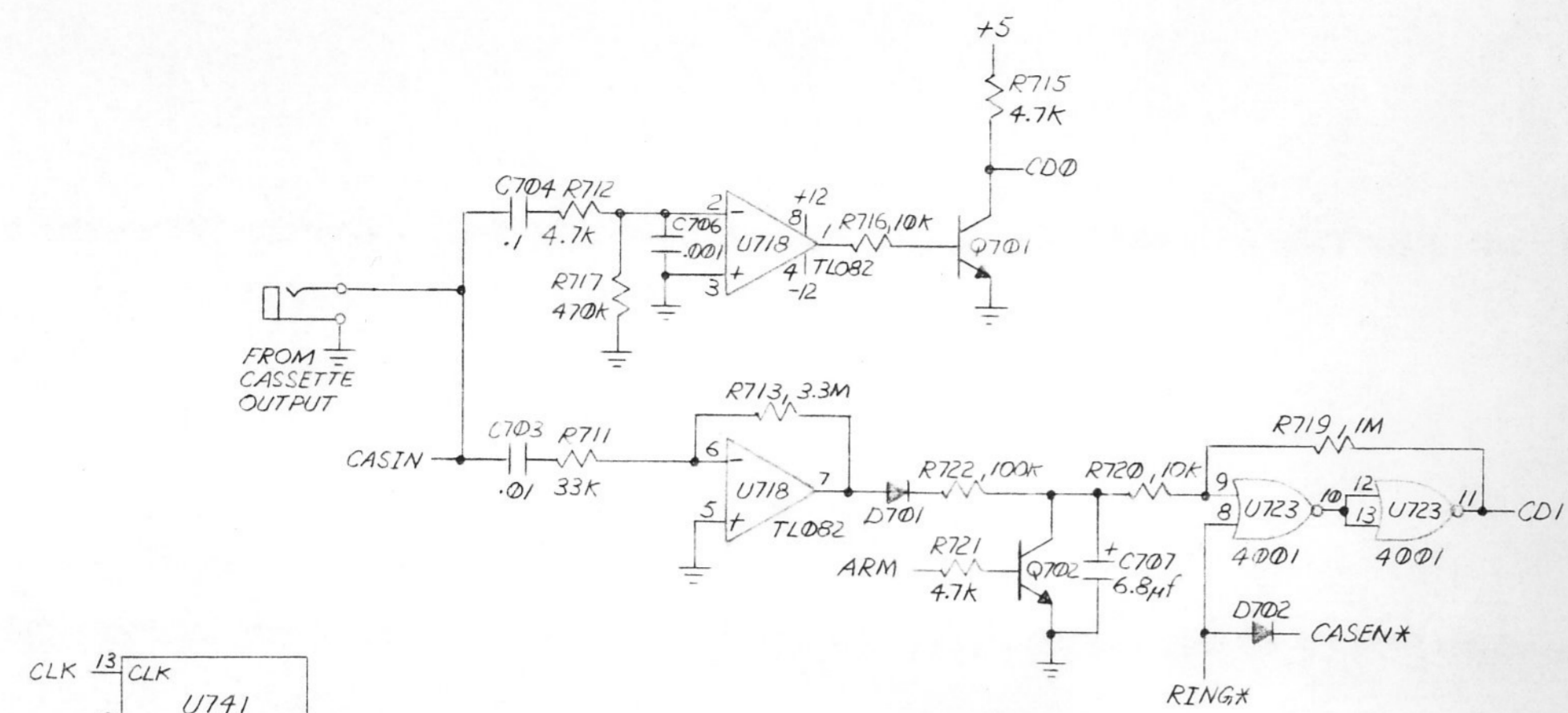


OBERHEIM ELECTRONICS INC.

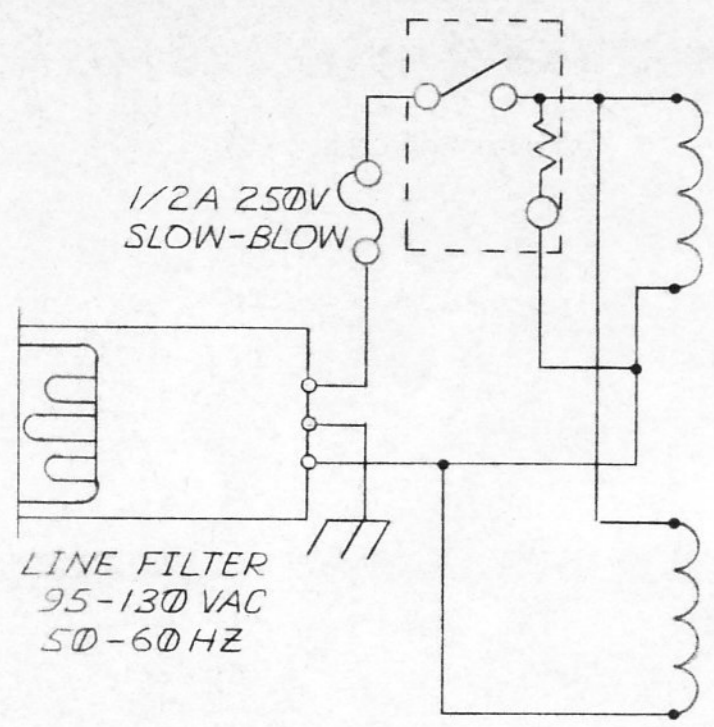
- SCHEMATIC -
DX'a' PROCESSOR BOARD



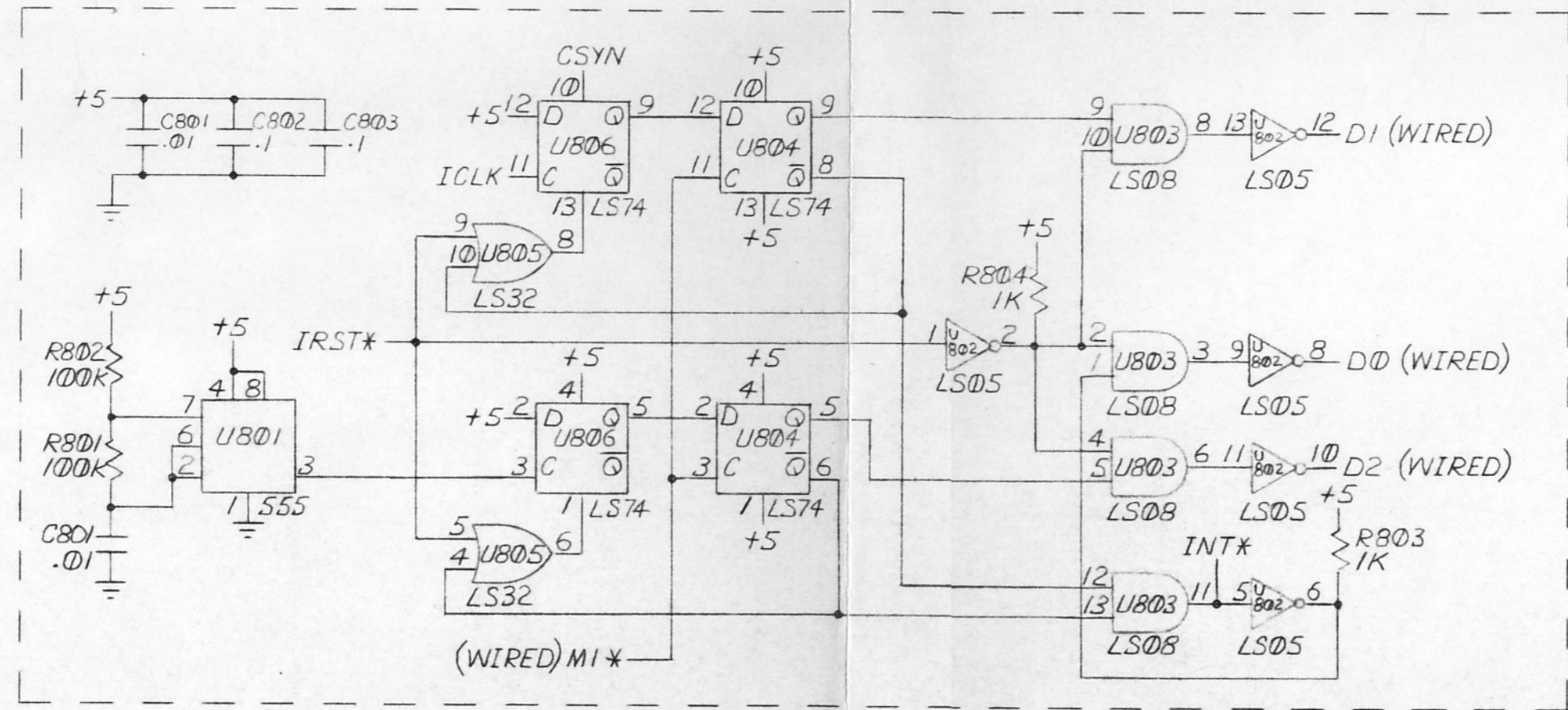
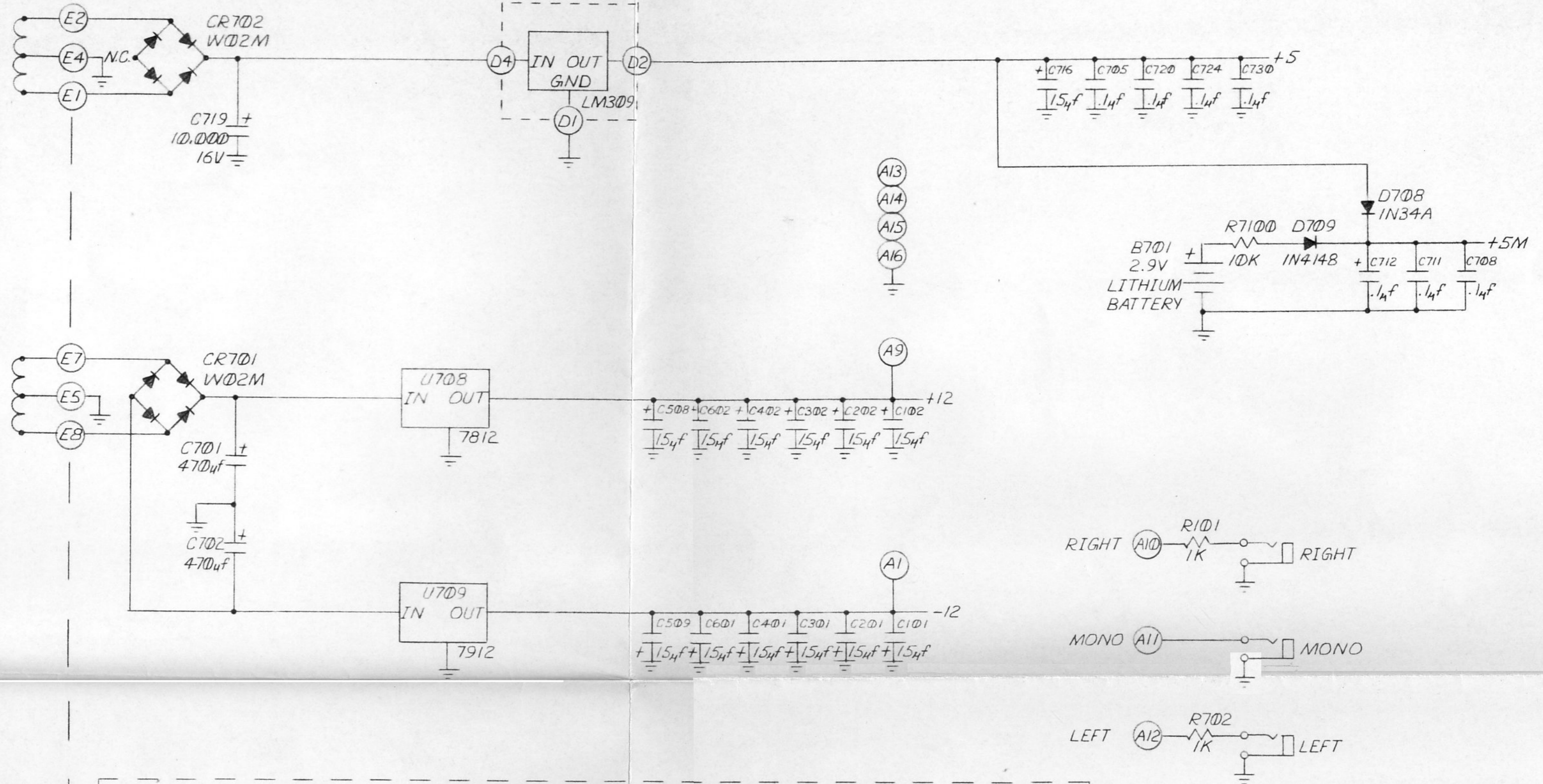
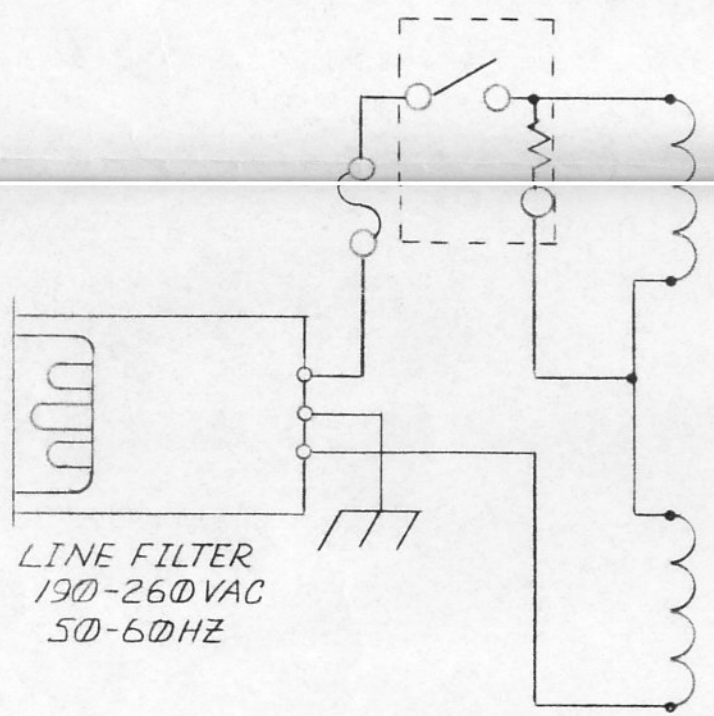
OBERHEIM ELECTRONICS INC.

- SCHEMATIC -
DX'a' PROCESSOR BOARD

SHEET



NOT ON BOARD



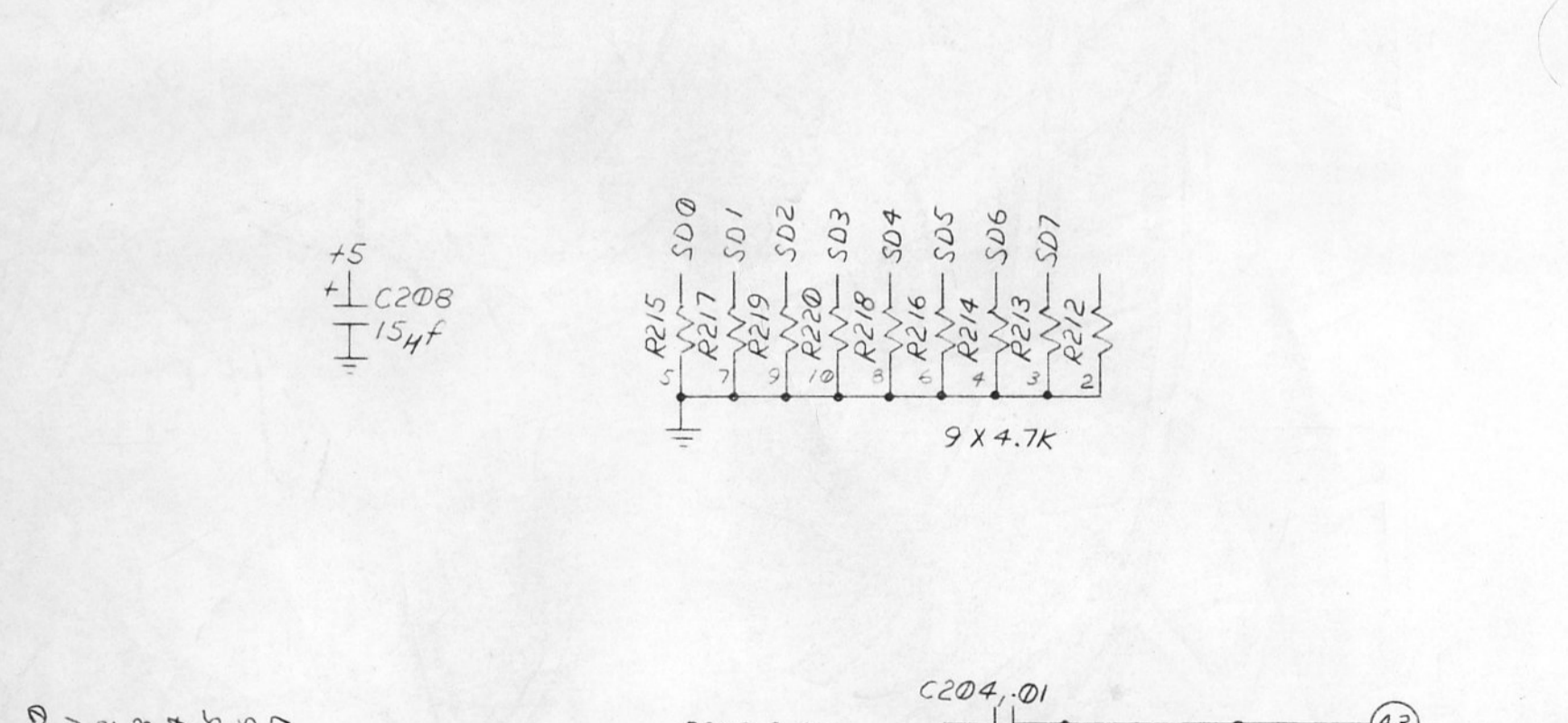
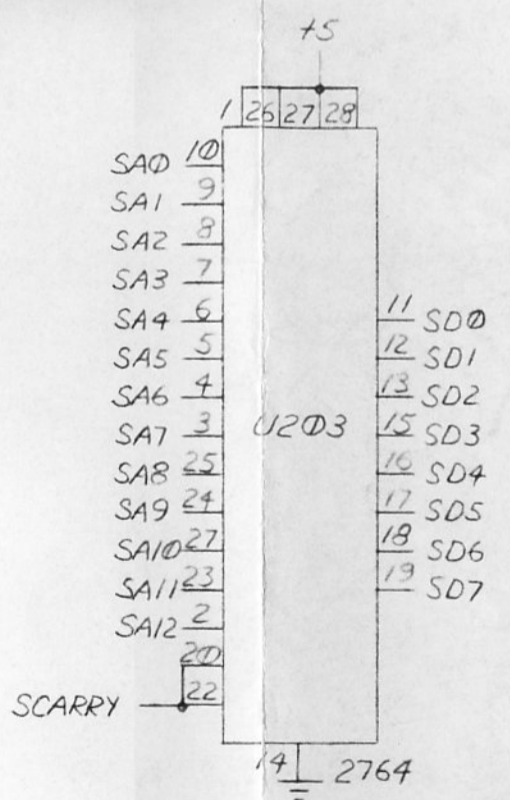
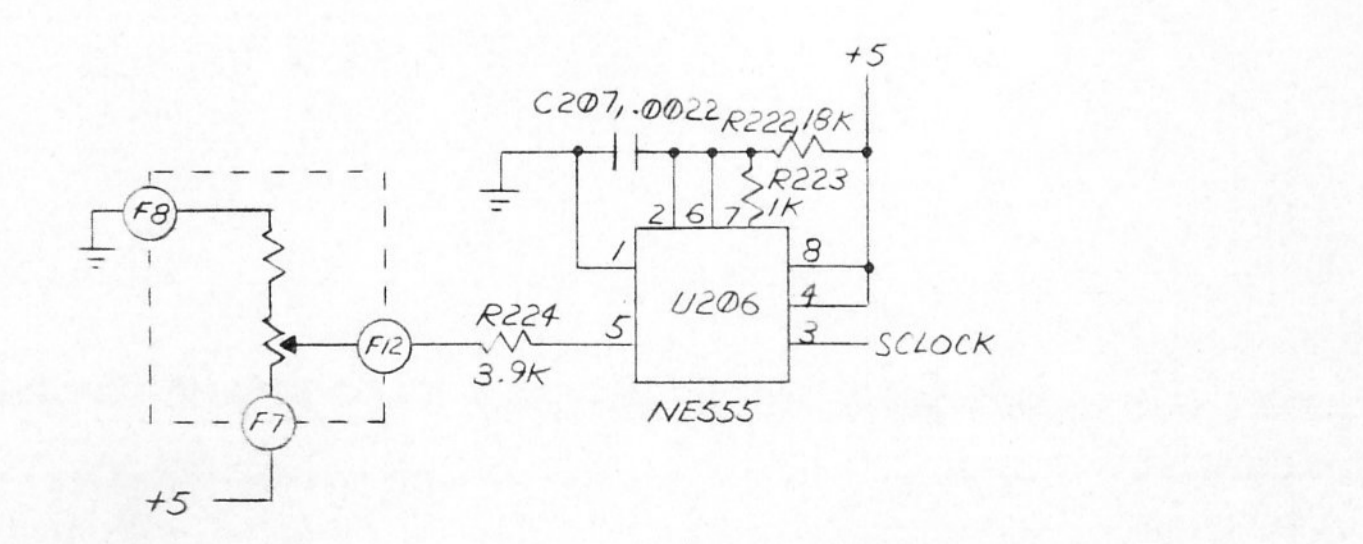
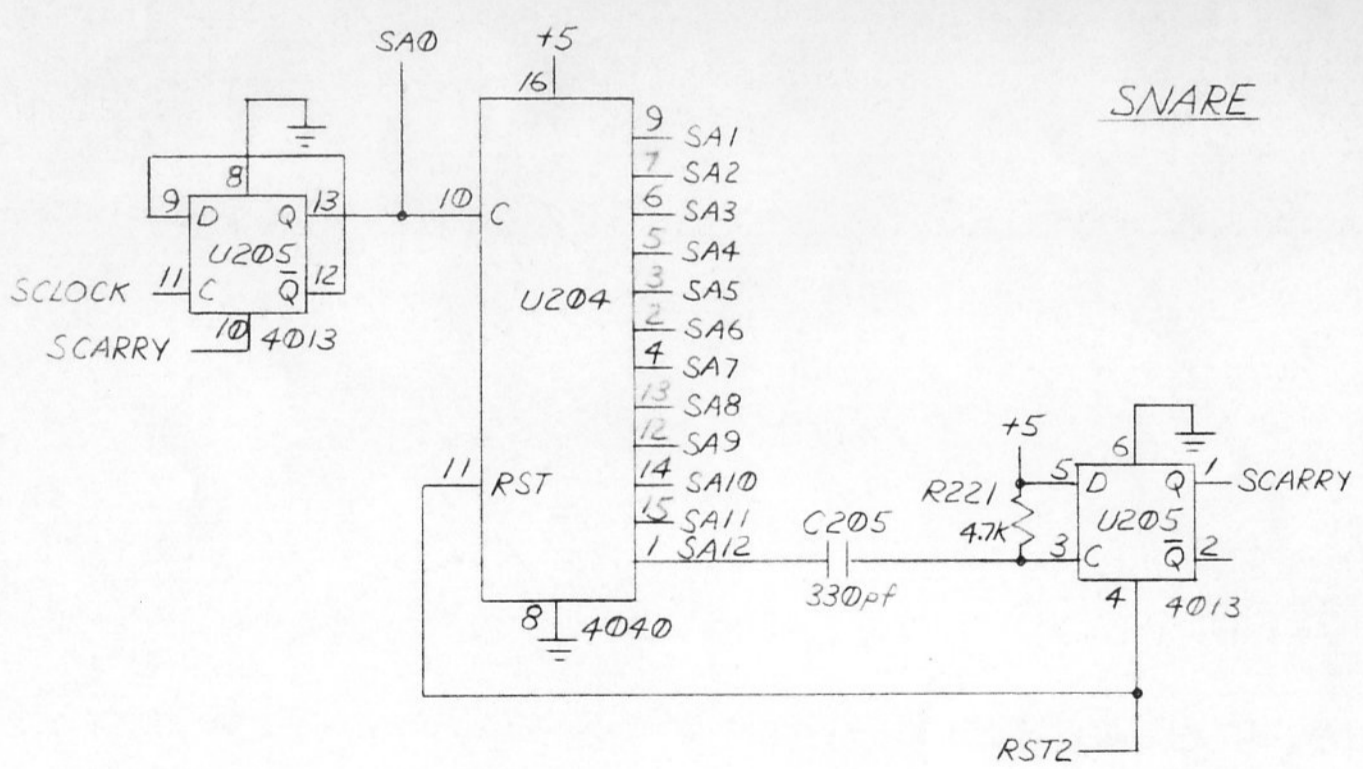
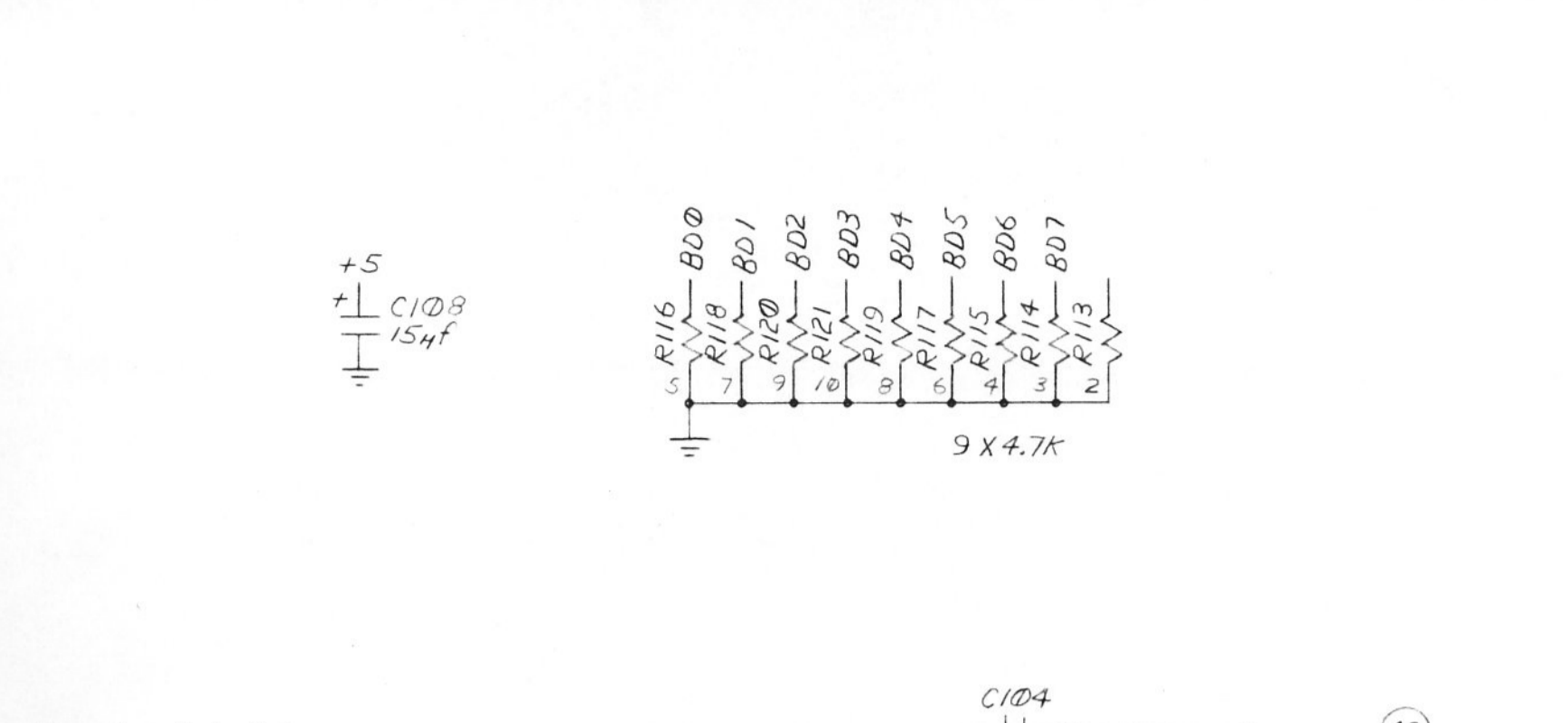
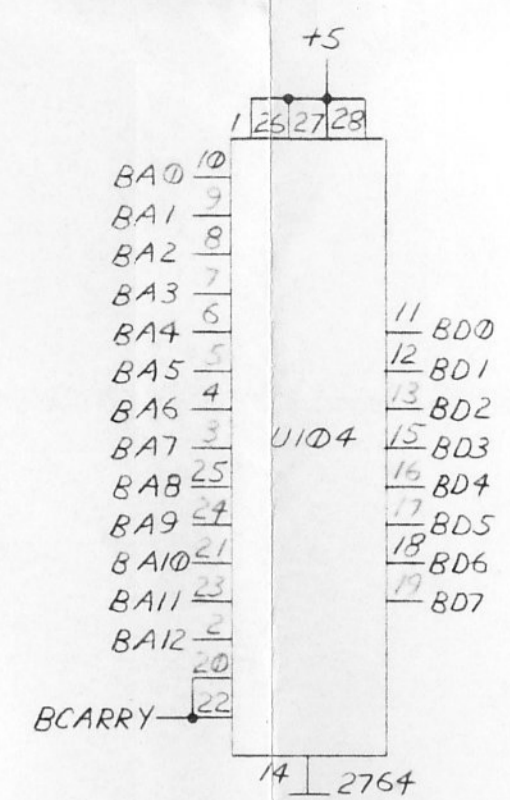
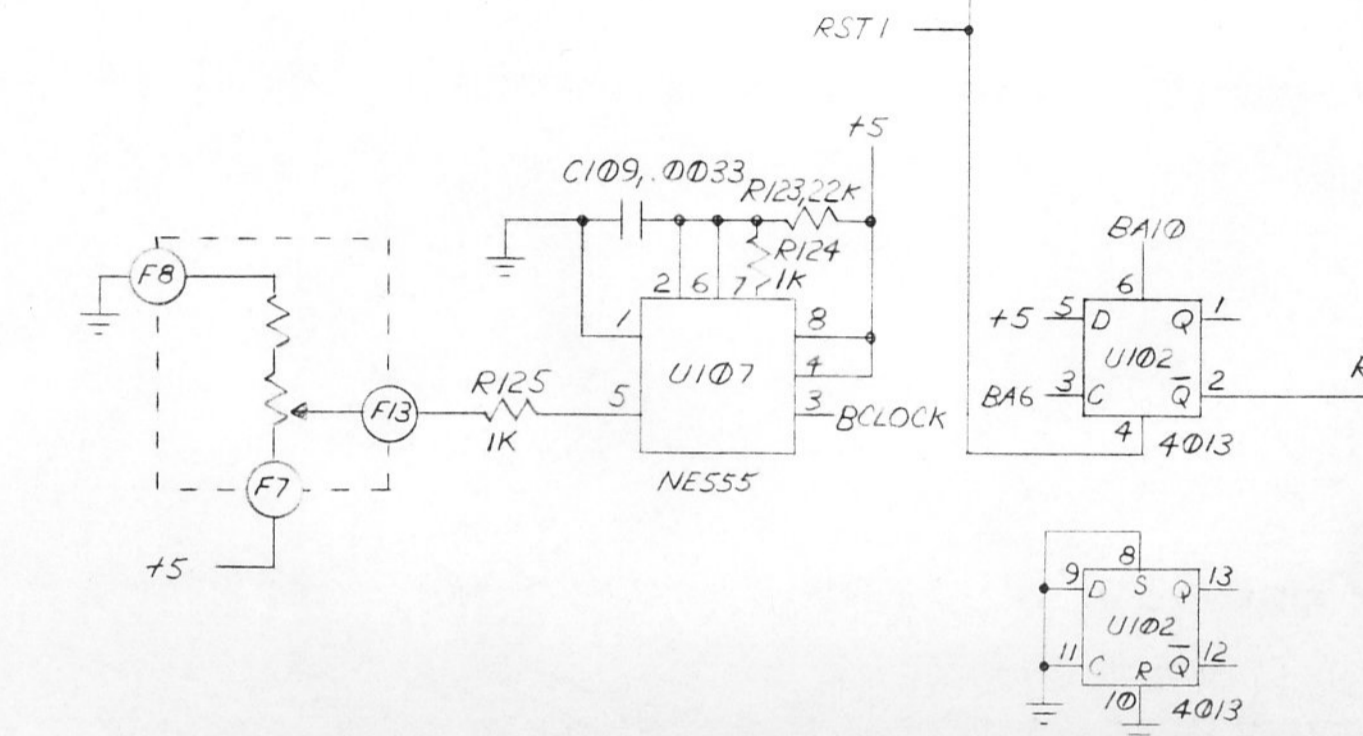
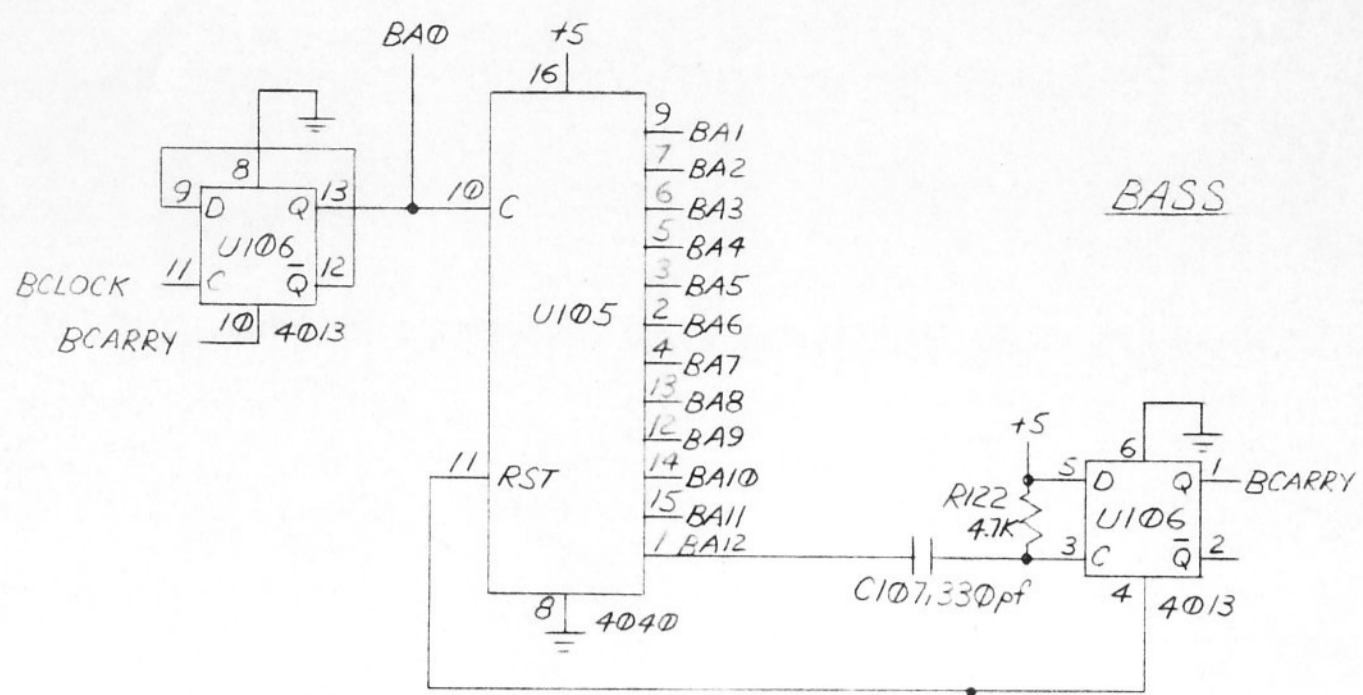
OBERHEIM ELECTRONICS INC.

-SCHEMATIC-
DX'a' PROCESSOR BOARD

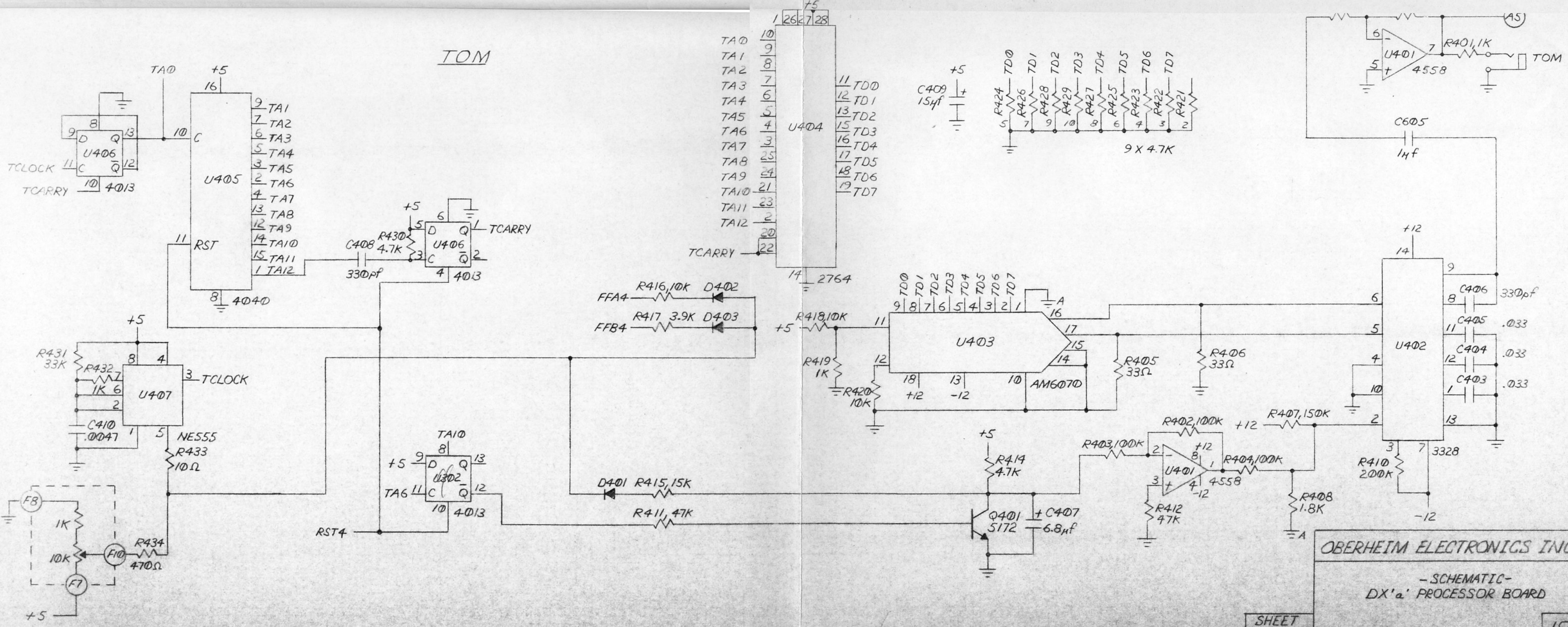
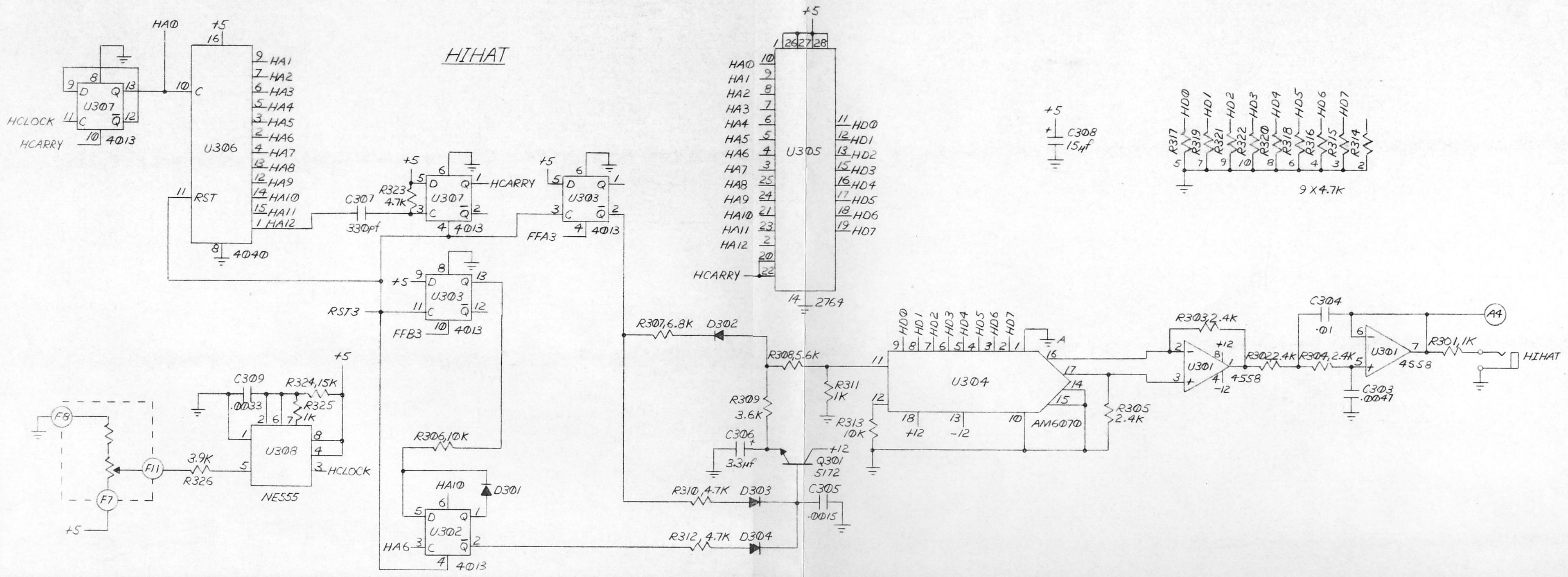
SHEET
30F6

J.R.

1906



OBERHEIM ELECTRONICS INC.
-SCHEMATIC-
DX'a' PROCESSOR BOARD

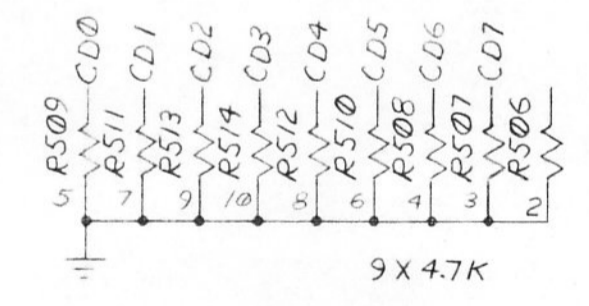
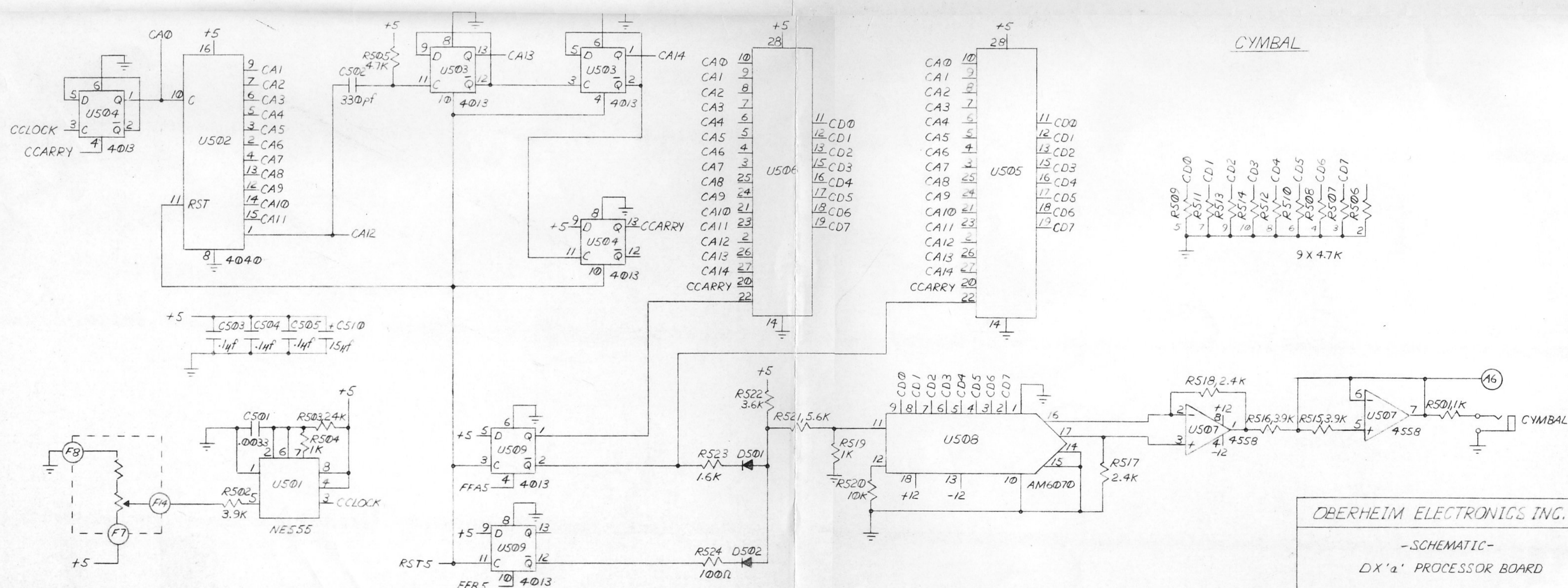
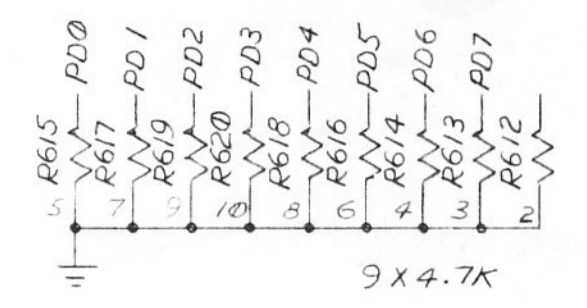
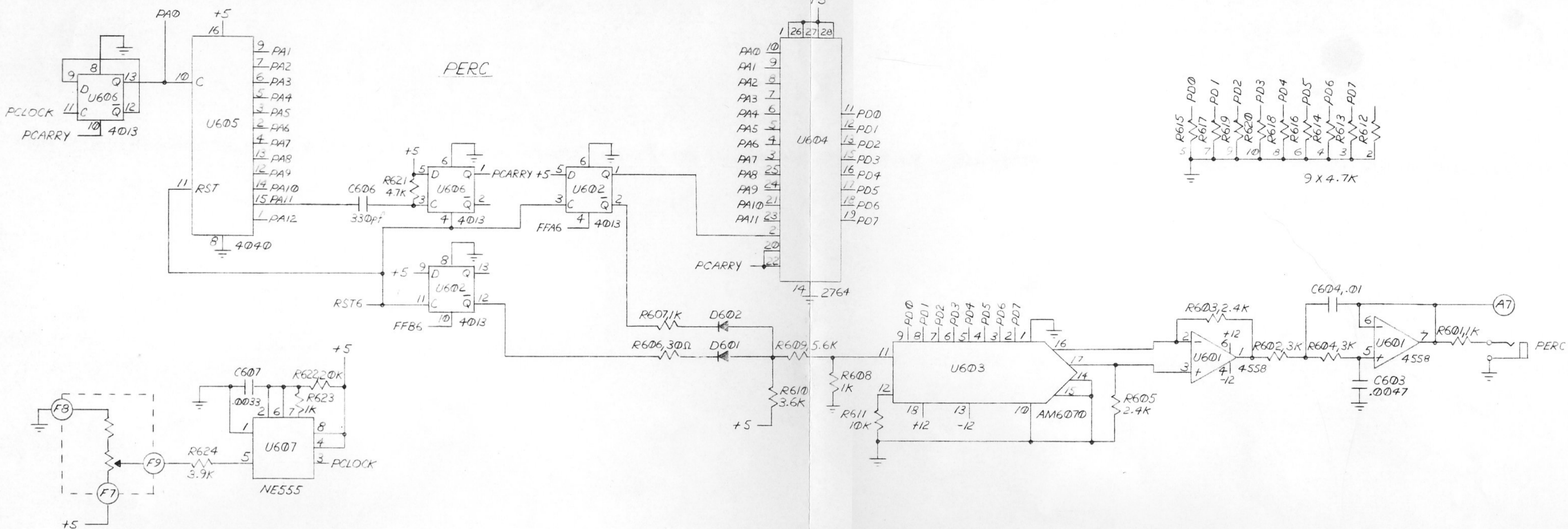


OBERHEIM ELECTRONICS INC.

- SCHEMATIC -
DX'a' PROCESSOR BOARD

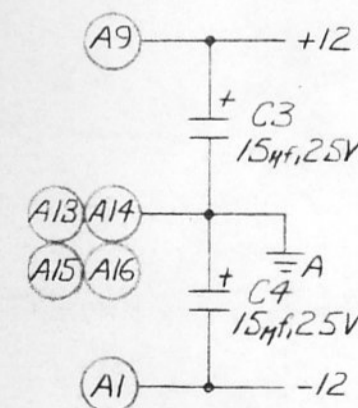
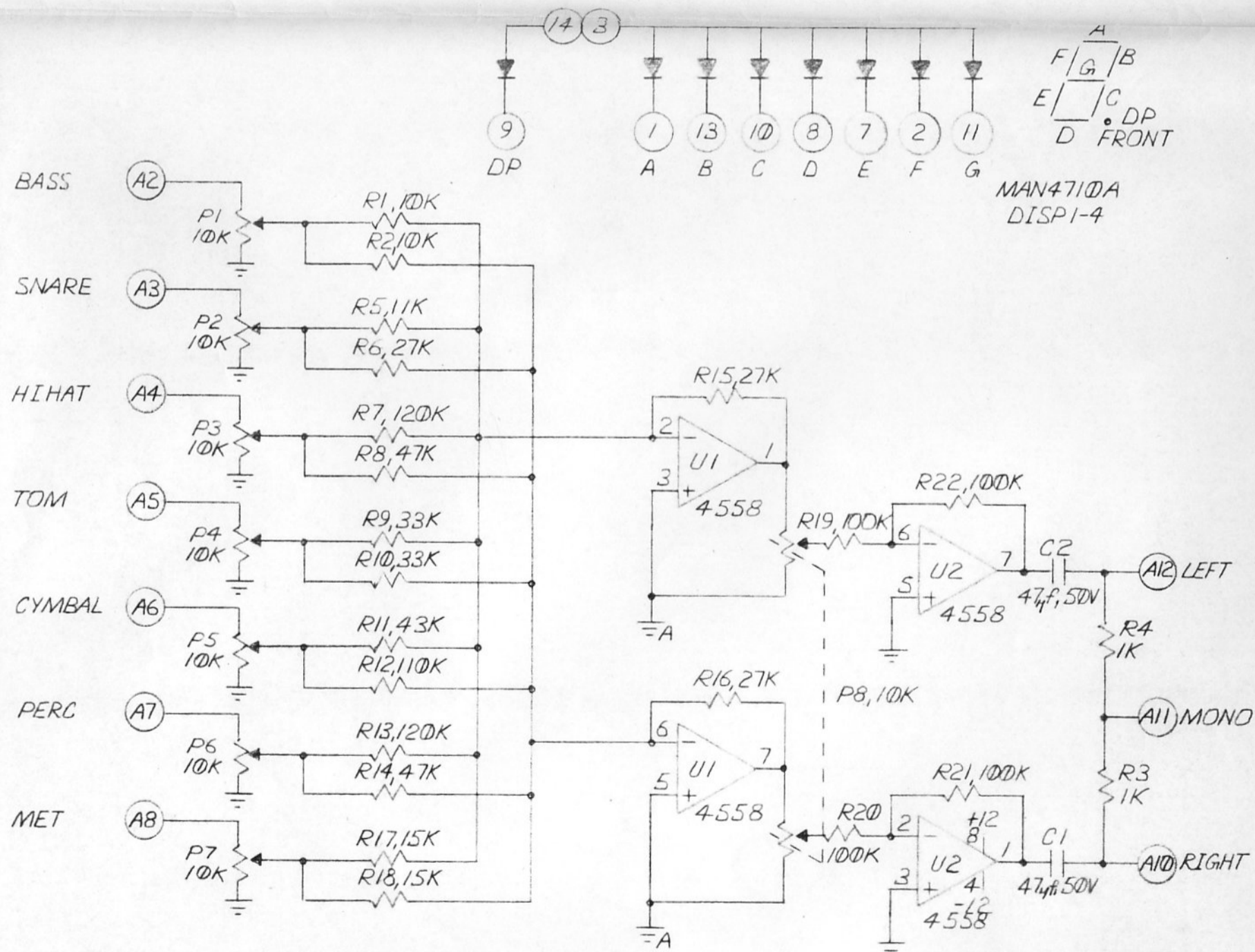
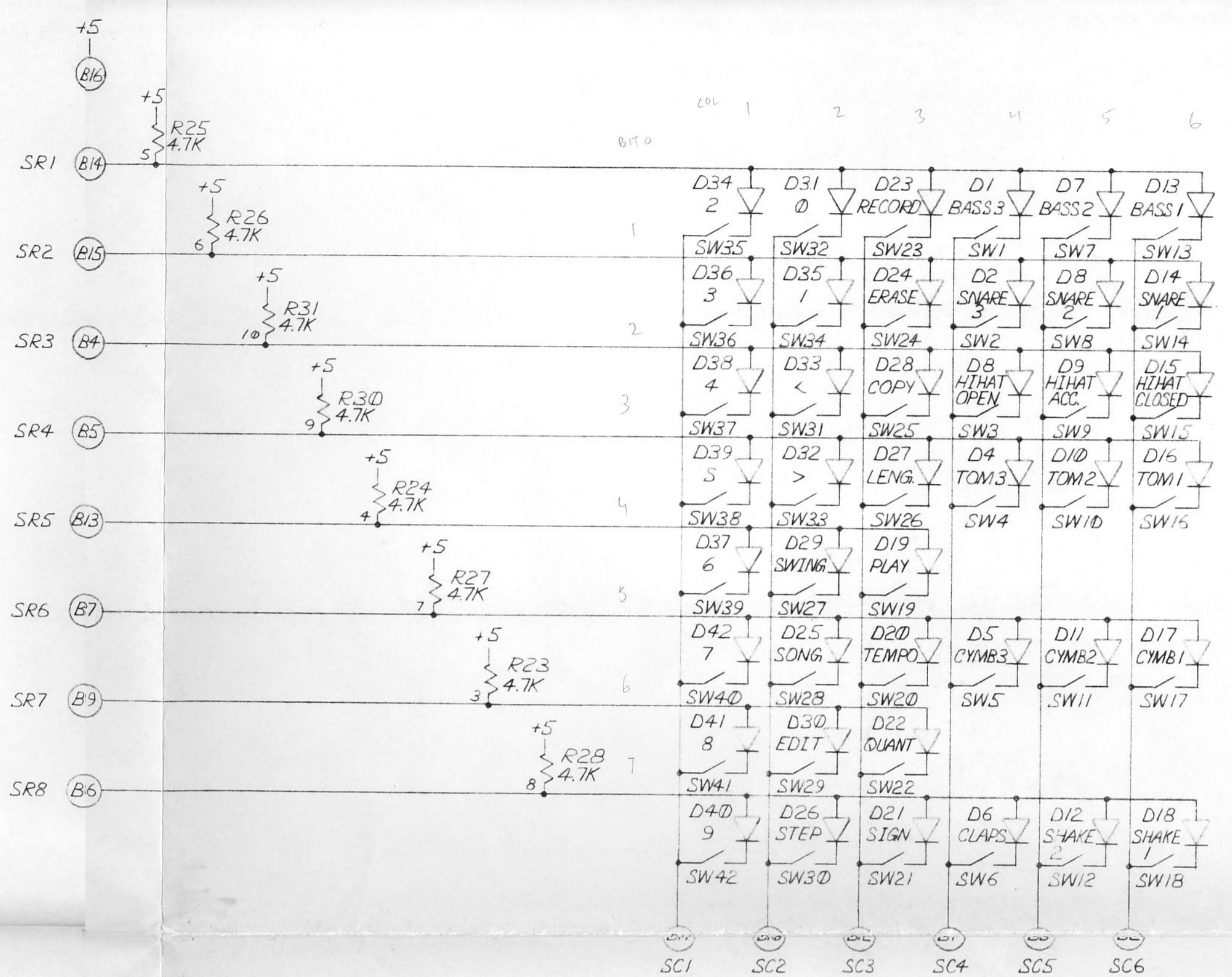
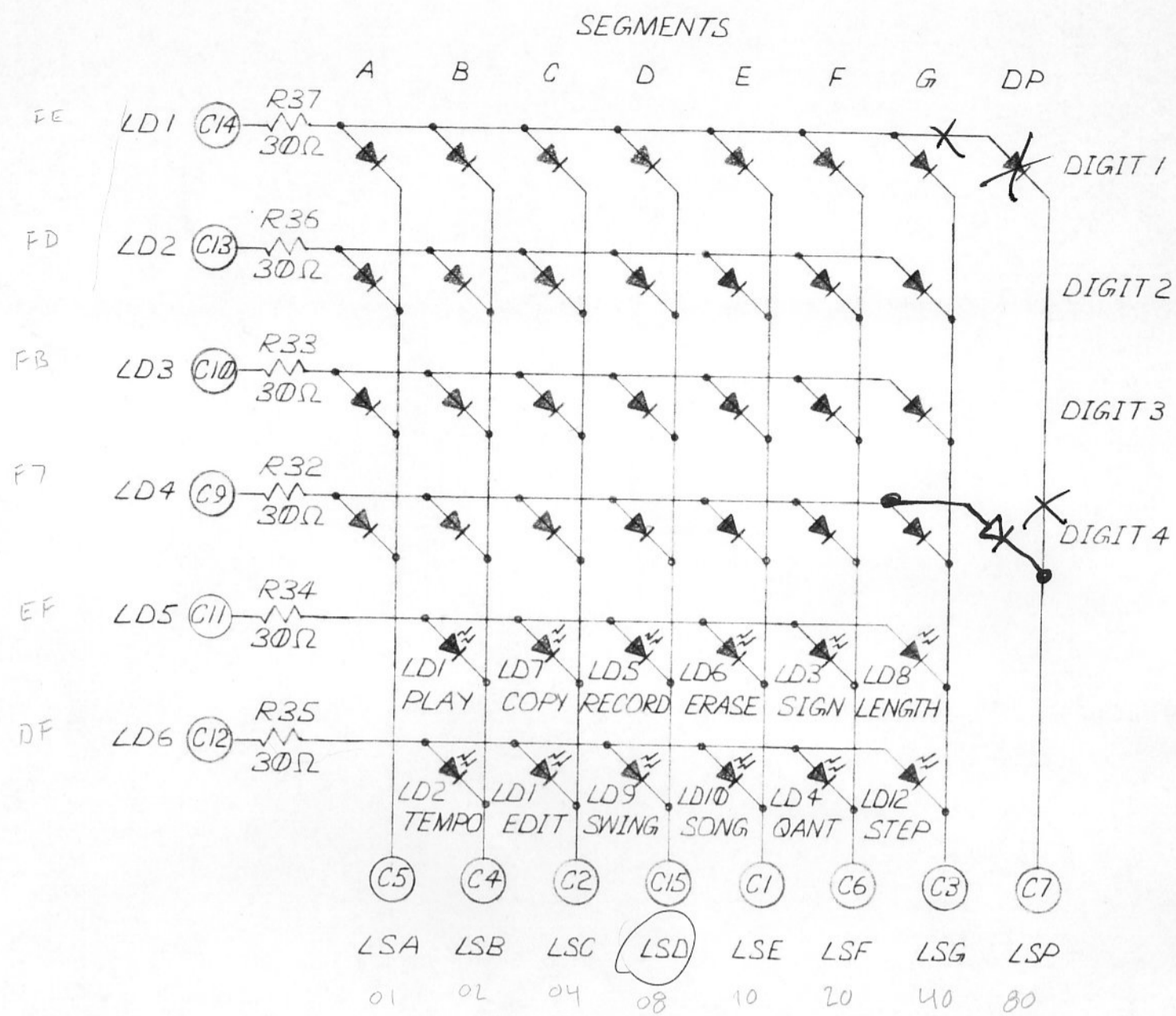
SHEET

1976



OBERHEIM ELECTRONICS INC.

-SCHEMATIC-
DX'a' PROCESSOR BOARD



LTR	REVISION	DATE

OBERHEIM ELECTRONICS INC.

- SCHEMATIC -
DX'a' SWITCH BOARD

J.R.

1915