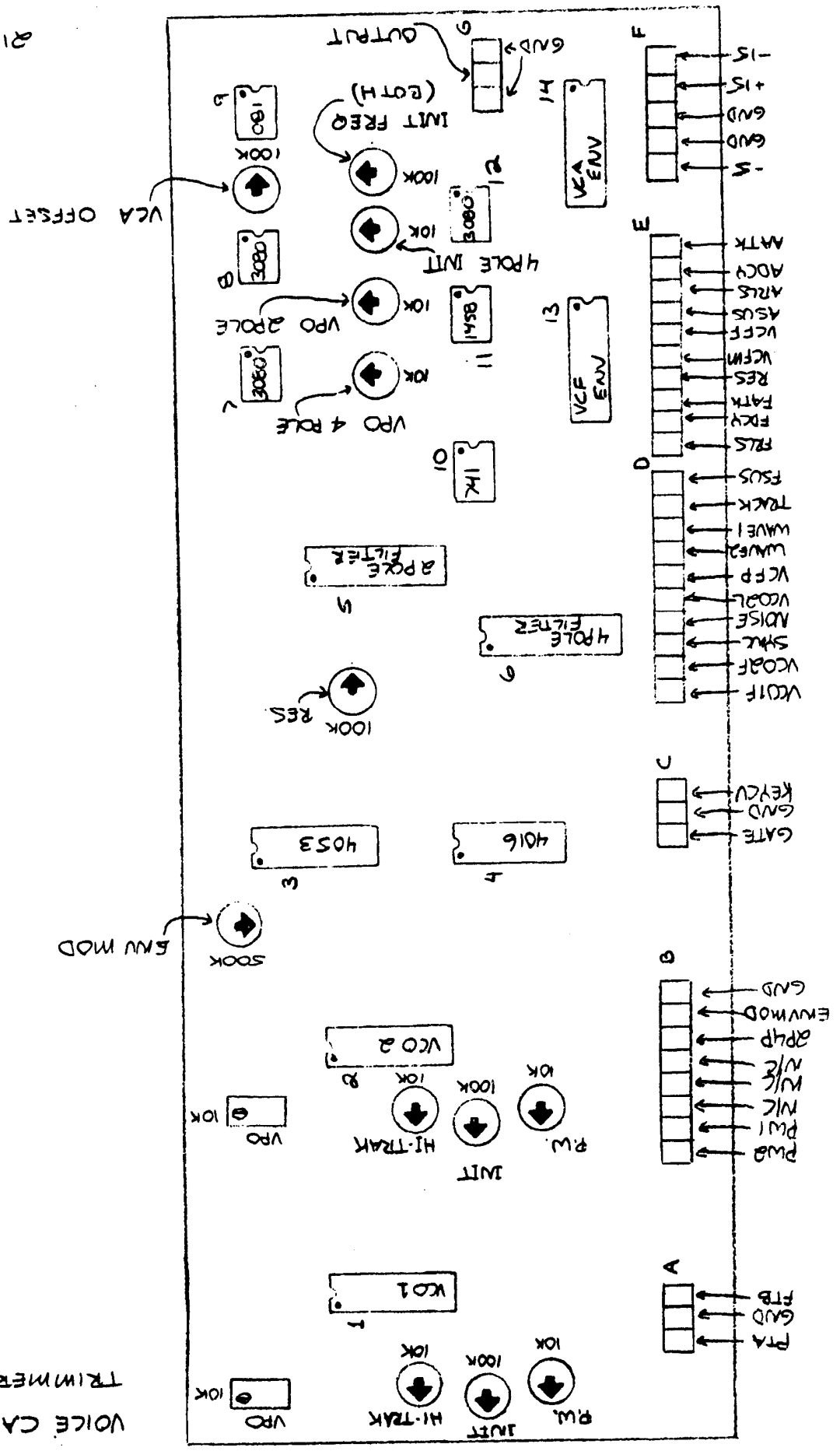


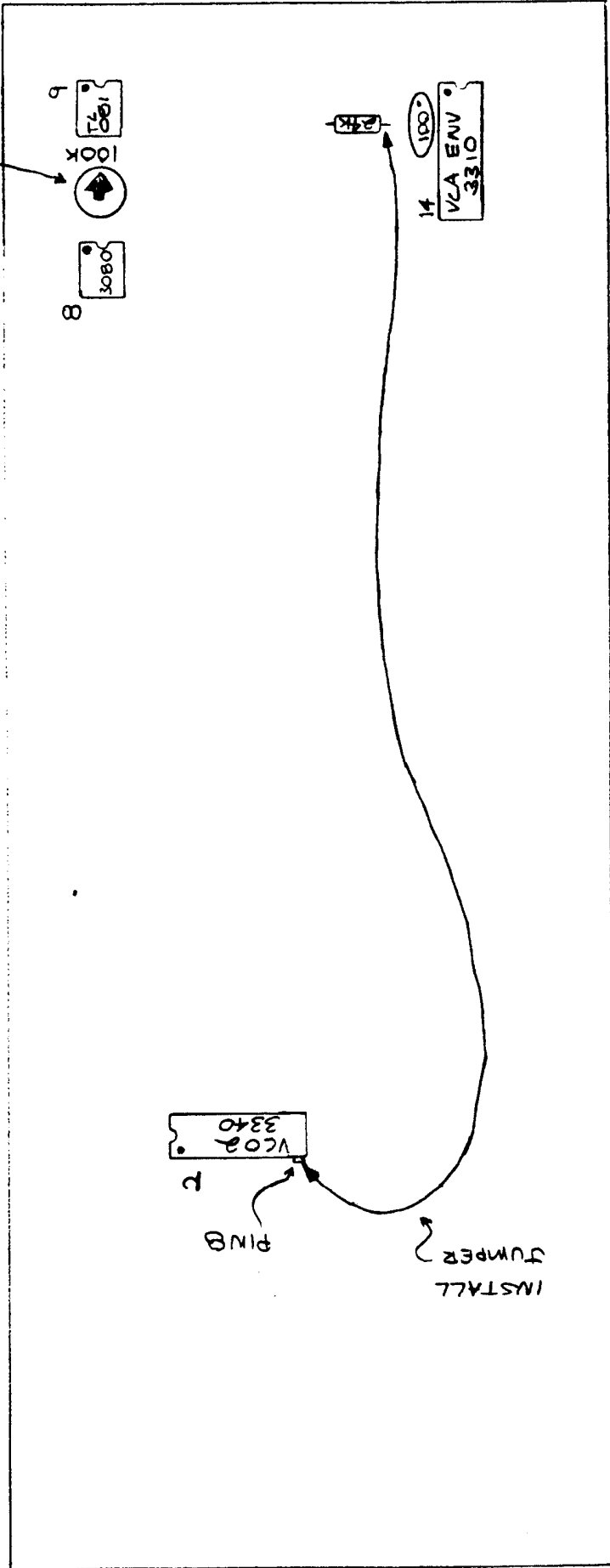
OB-XA
VOICE CARD
TRIMMER LOCATIONS

21 NOV 80



OBX VOICE CARD

VCA OFFSET



VCA OFFSET TRIMMER

MODULATION ASSEMBLY
TRIMMER LOCATIONS

SERIAL NUMBER
810821 AND BEFORE

- CENTER TRAUSPOSE
- UP TRAUSPOSE
- SAW SYMMETRY
- CENTER LEVER
- NARROW BEND
- UP BEND
- DOWN BEND

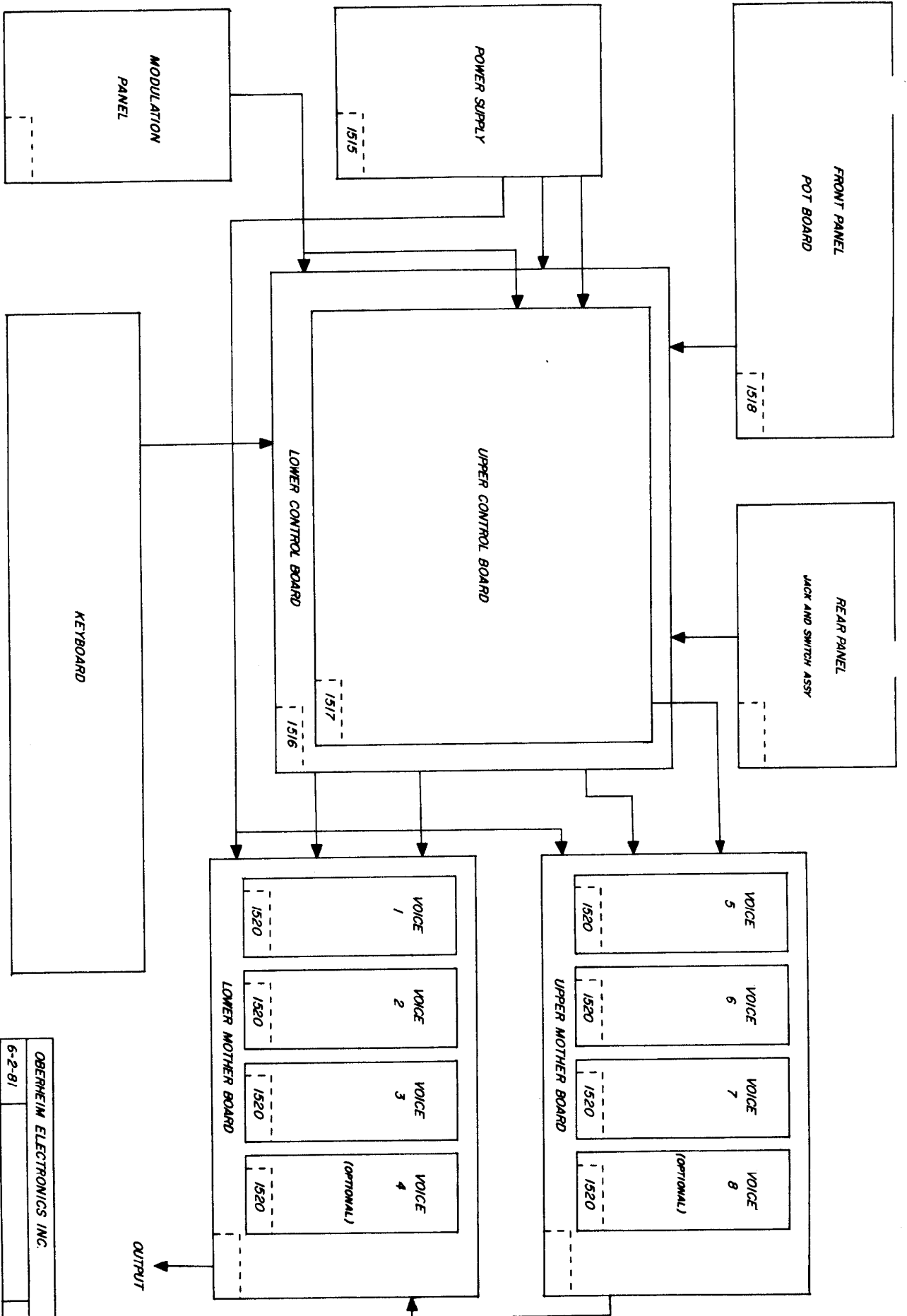
MODEL 1

SERIAL NUMBER
810820 AND AFTER

- ↓
LEFT OF POSITION
- NARROW BEND
 - OFFSET BEND
 - DOWN BEND
 - UP BEND
 - CENTER LEVER
 - TRAUSPOSE (UP)
 - LFO OFFSET
 - SAW SYMMETRY *

MODEL 2

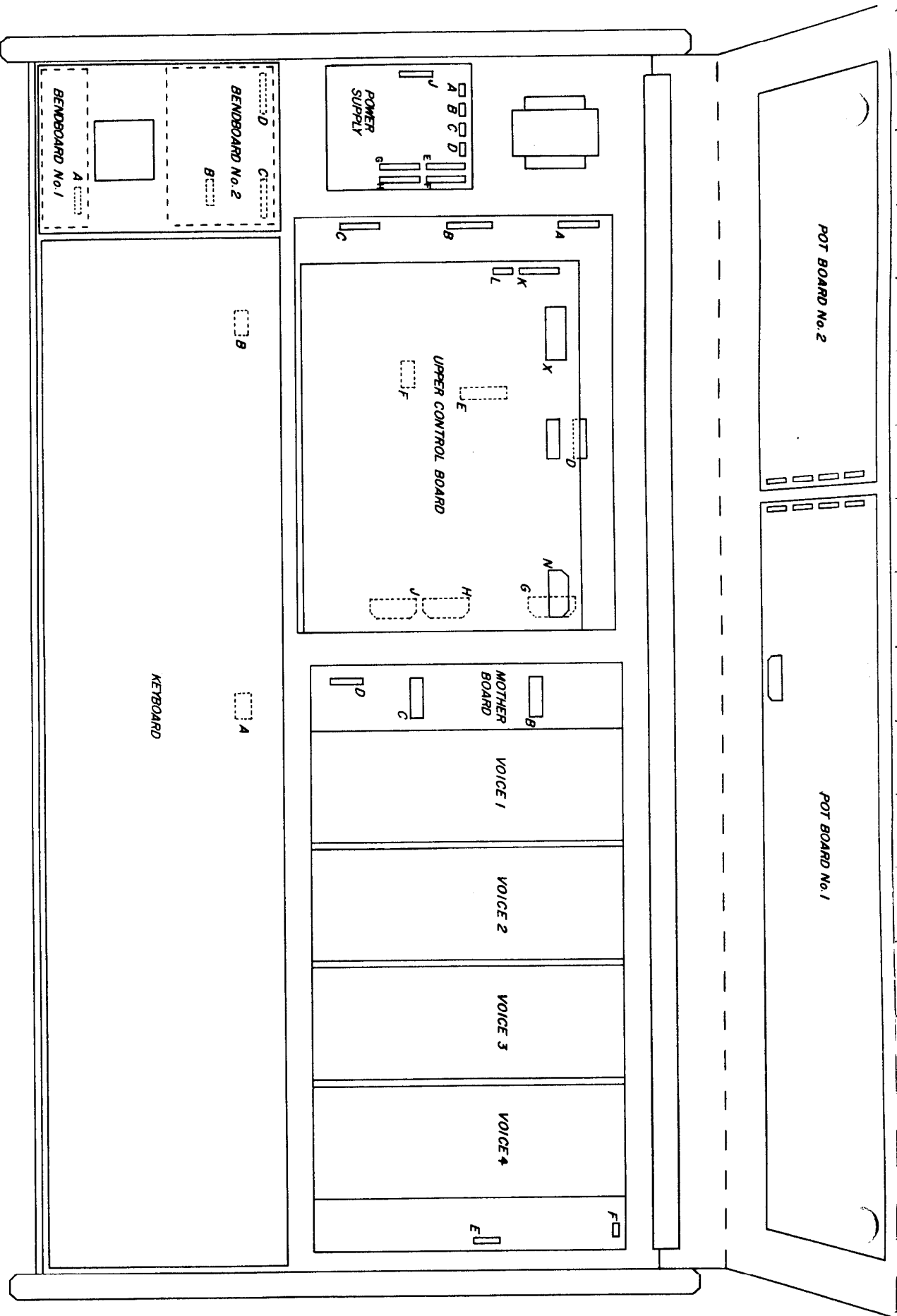
* UNITS BEFORE MAY 1981
HAVE THE SAW SYMMETRY
TRIMMER INSIDE.



OBERHEIM ELECTRONICS INC.

6-2-81

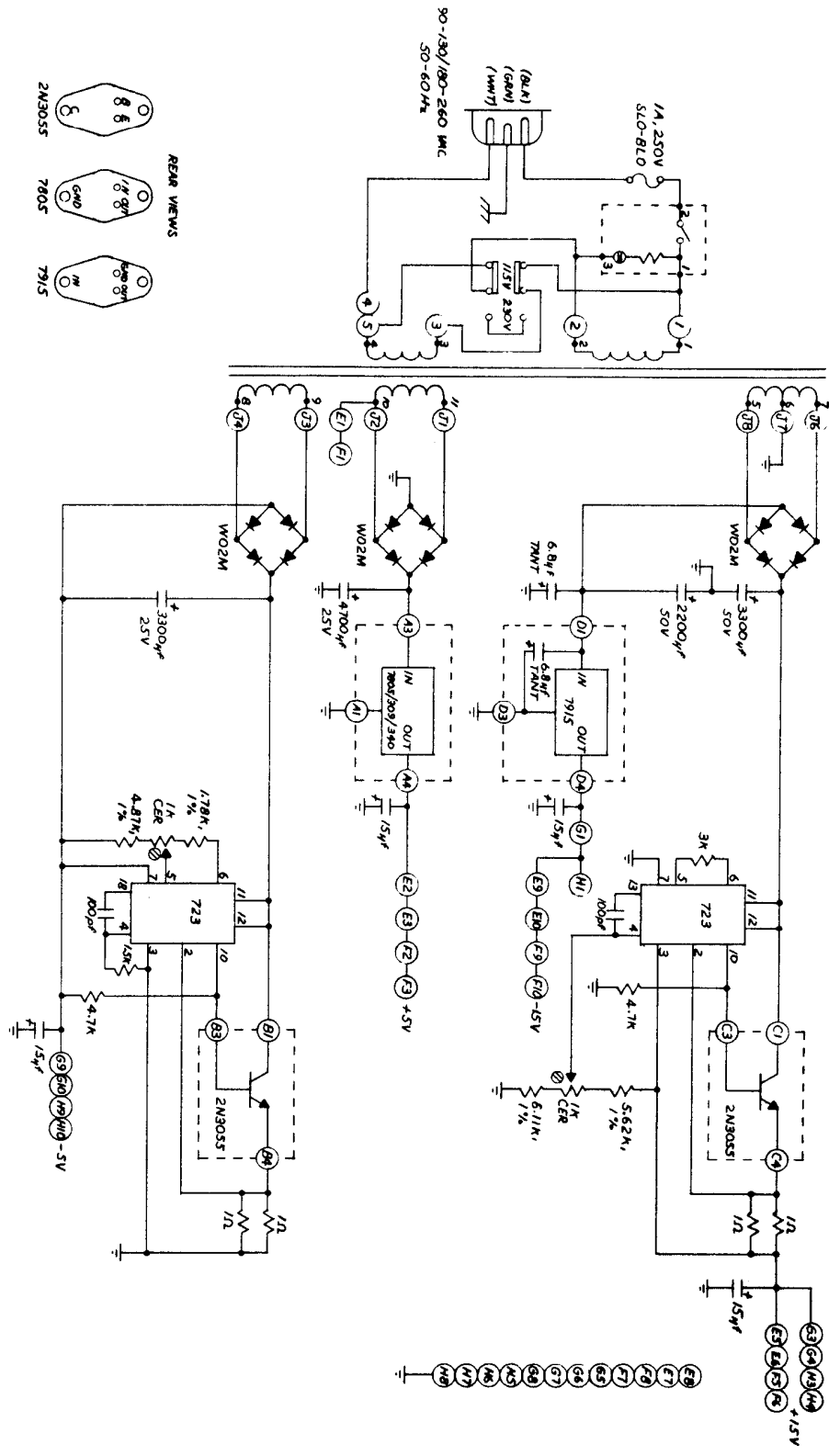
OB-XA WIRING BLOCK DIAGRAM



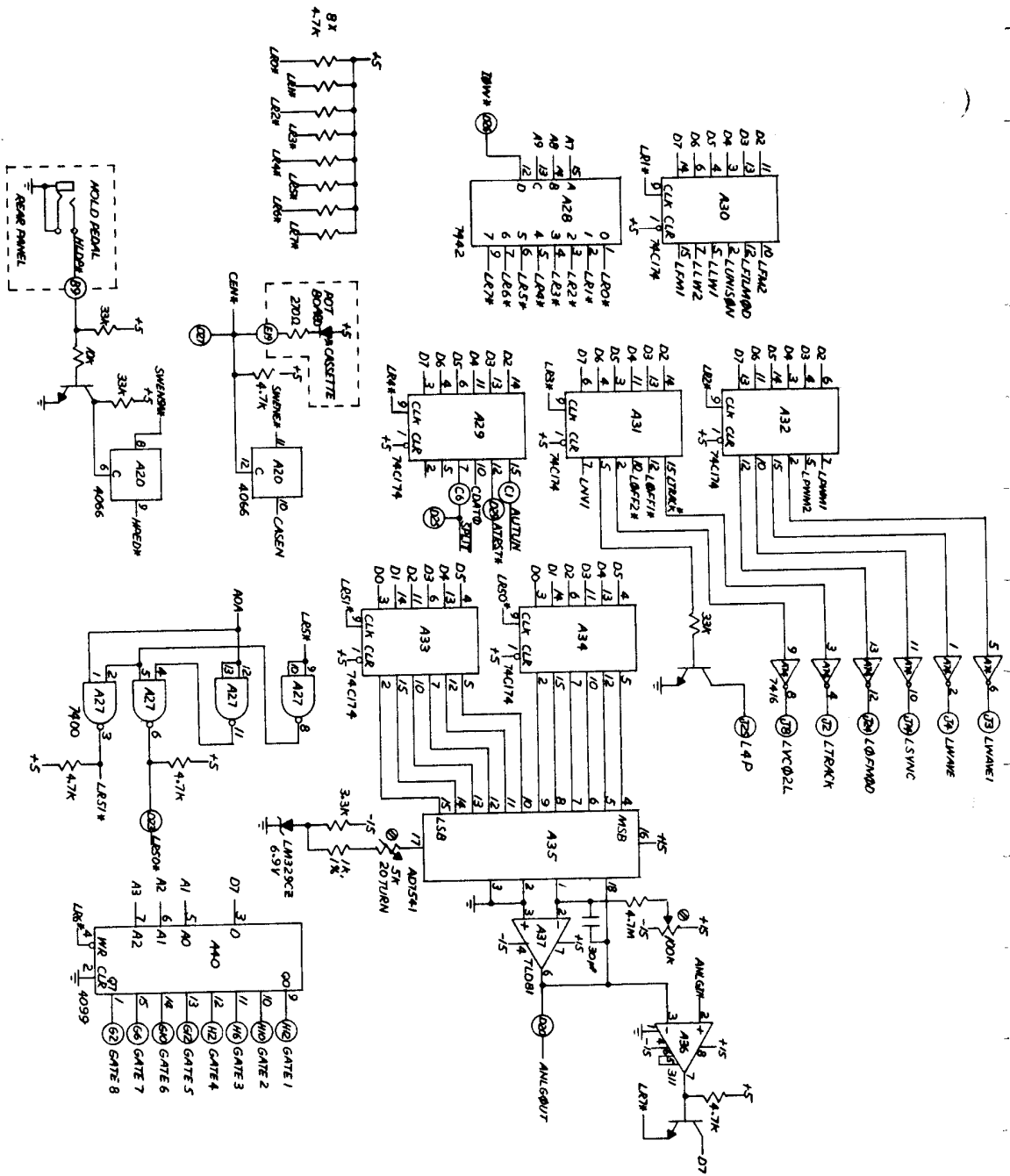
NOTE: MOTHER BOARD No. 2
AND VOICE 5 TO 8
NOT SHOWN.

OBERRHEIM ELECTRONICS INC.

OB-XA SUB ASSEMBLY AND CONNECTORS
PLACEMENT DIAGRAM.



OBERHEIM ELECTRONICS INC.
 OB-KA POWER SUPPLY
 5-27-81 JTR
 1515



OBERHEIM ELECTRONICS INC.

SCHEMATIC - CB-XA

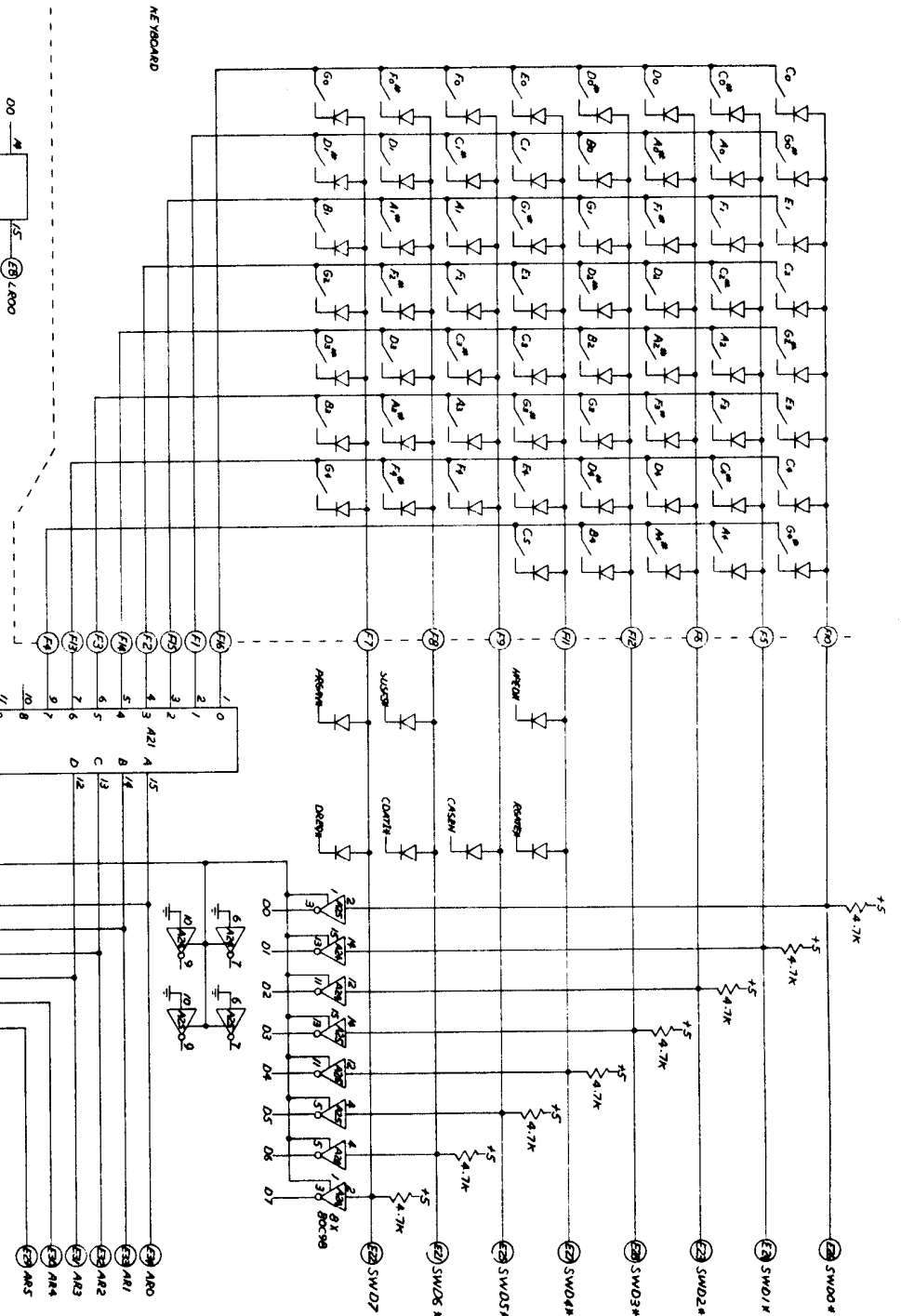
LOWER CONTROL BOARD

4-30-81

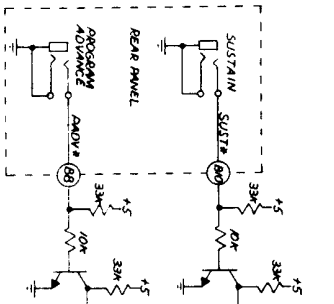
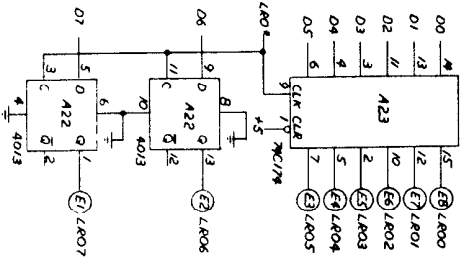
JTC

5/8

1516



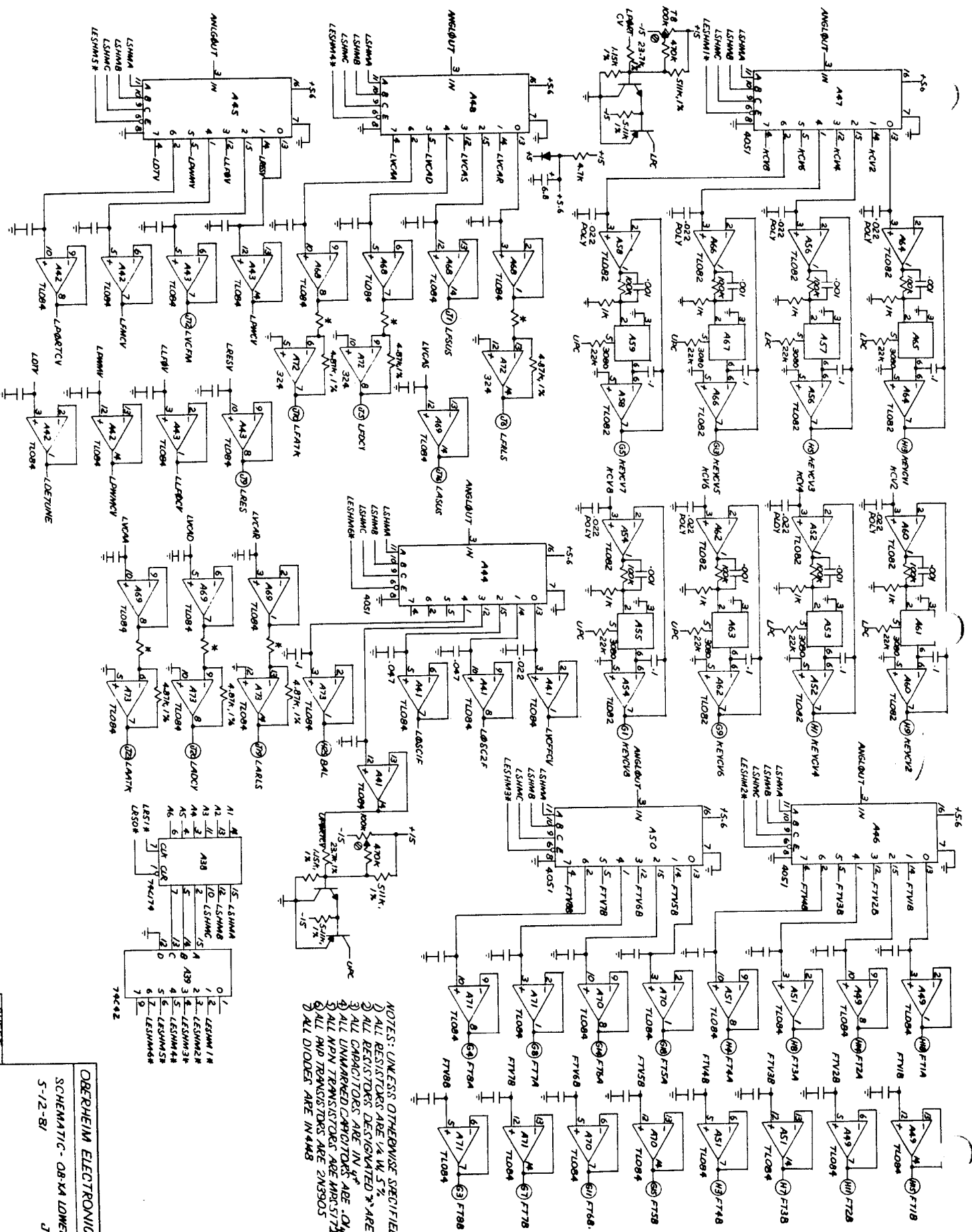
KEYBOARD



OBERHEIM ELECTRONICS INC.

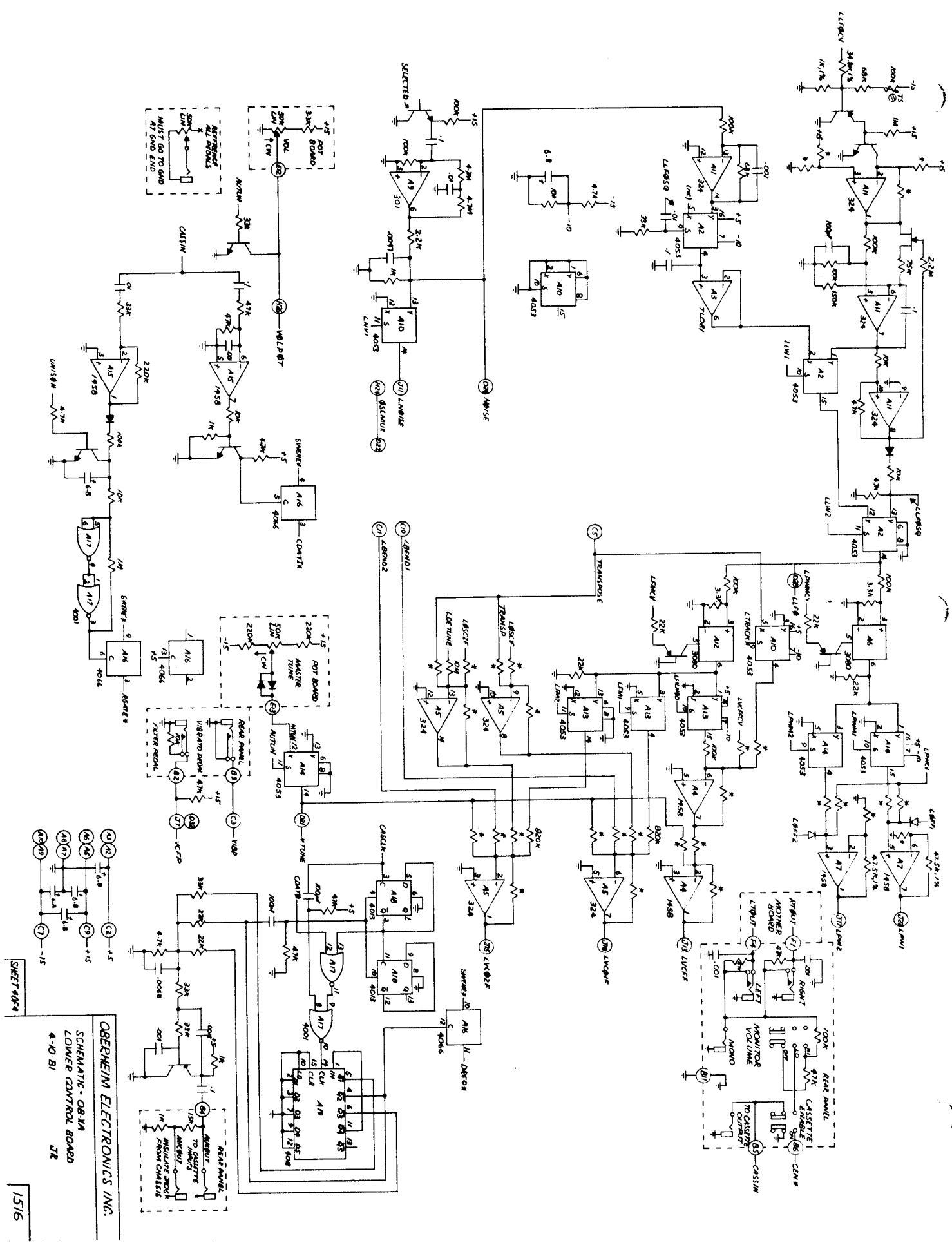
SCHEMATIC -08-X4
LOWER CONTROL BOARD
4-21-B1
J.R.

SHEET 2 OF 4

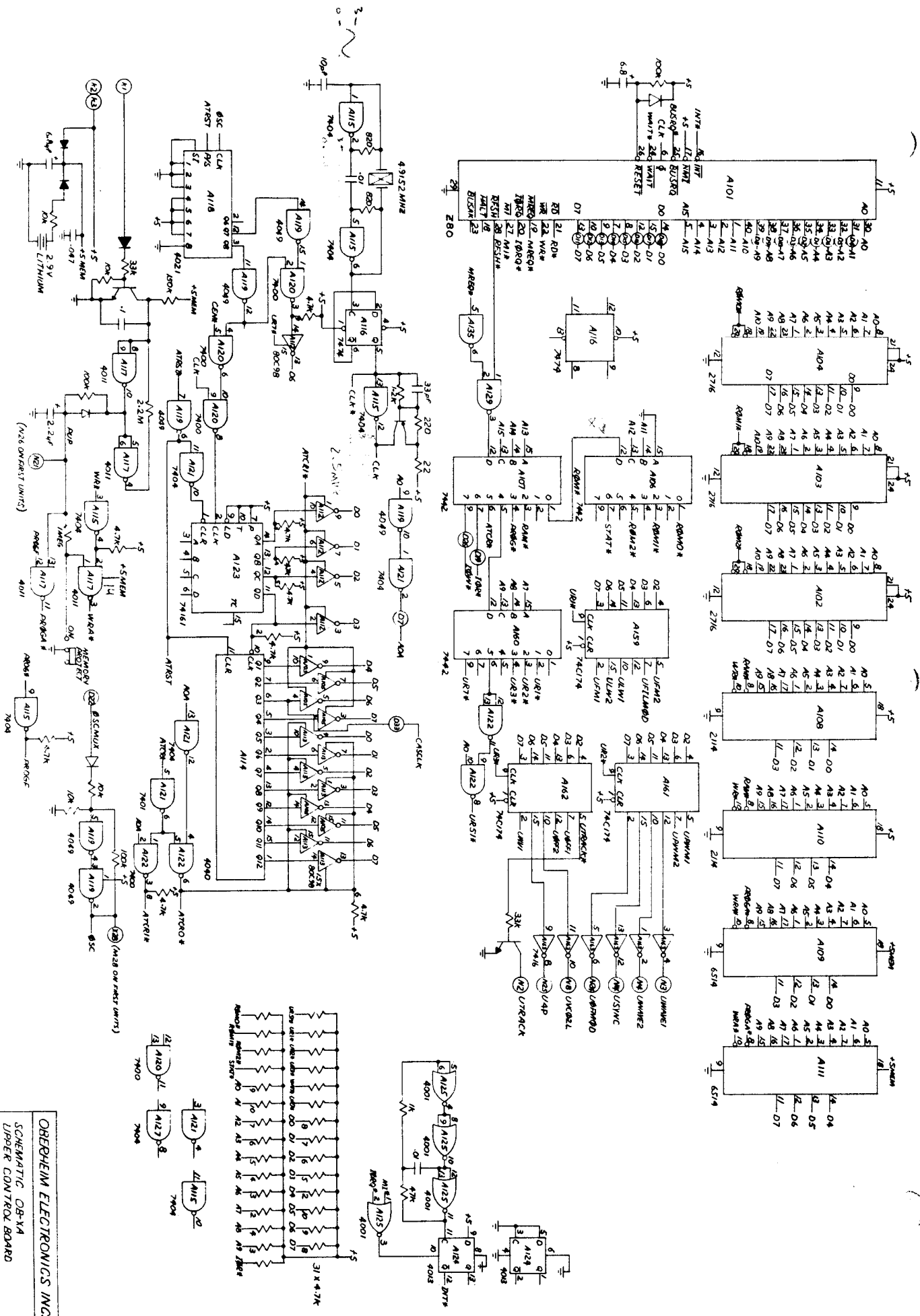


- NOTES: UNLESS OTHERWISE SPECIFIED
- 1) ALL RESISTORS ARE 1/4 W 5%
 - 2) ALL CAPACITORS ARE IN μF
 - 3) ALL CONNECTORS ARE IN μF
 - 4) ALL UNMARKED CAPACITORS ARE .01 μF
 - 5) ALL NPN TRANSISTORS ARE MMS372
 - 6) ALL PNP TRANSISTORS ARE 2N3905
 - 7) ALL DIODES ARE IN 4M5

11	LSHMNA	1	LSHM1A
12	LSHMNB	2	LSHM2A
13	LSHMNC	3	LSHM3A
14	LSHMND	4	LSHM4A
15	LSHMNE	5	LSHM5A
16	LSHMNF	6	LSHM6A
17	LSHMNG	7	LSHM7A
18	LSHMNH	8	LSHM8A
19	LSHMNI	9	LSHM9A
20	LSHMNJ	10	LSHM10A
21	LSHMNK	11	LSHM11A
22	LSHMNL	12	LSHM12A
23	LSHMNM	13	LSHM13A
24	LSHMNN	14	LSHM14A
25	LSHMNO	15	LSHM15A
26	LSHMNP	16	LSHM16A
27	LSHMNQ	17	LSHM17A
28	LSHMNR	18	LSHM18A
29	LSHMNS	19	LSHM19A
30	LSHMNT	20	LSHM20A



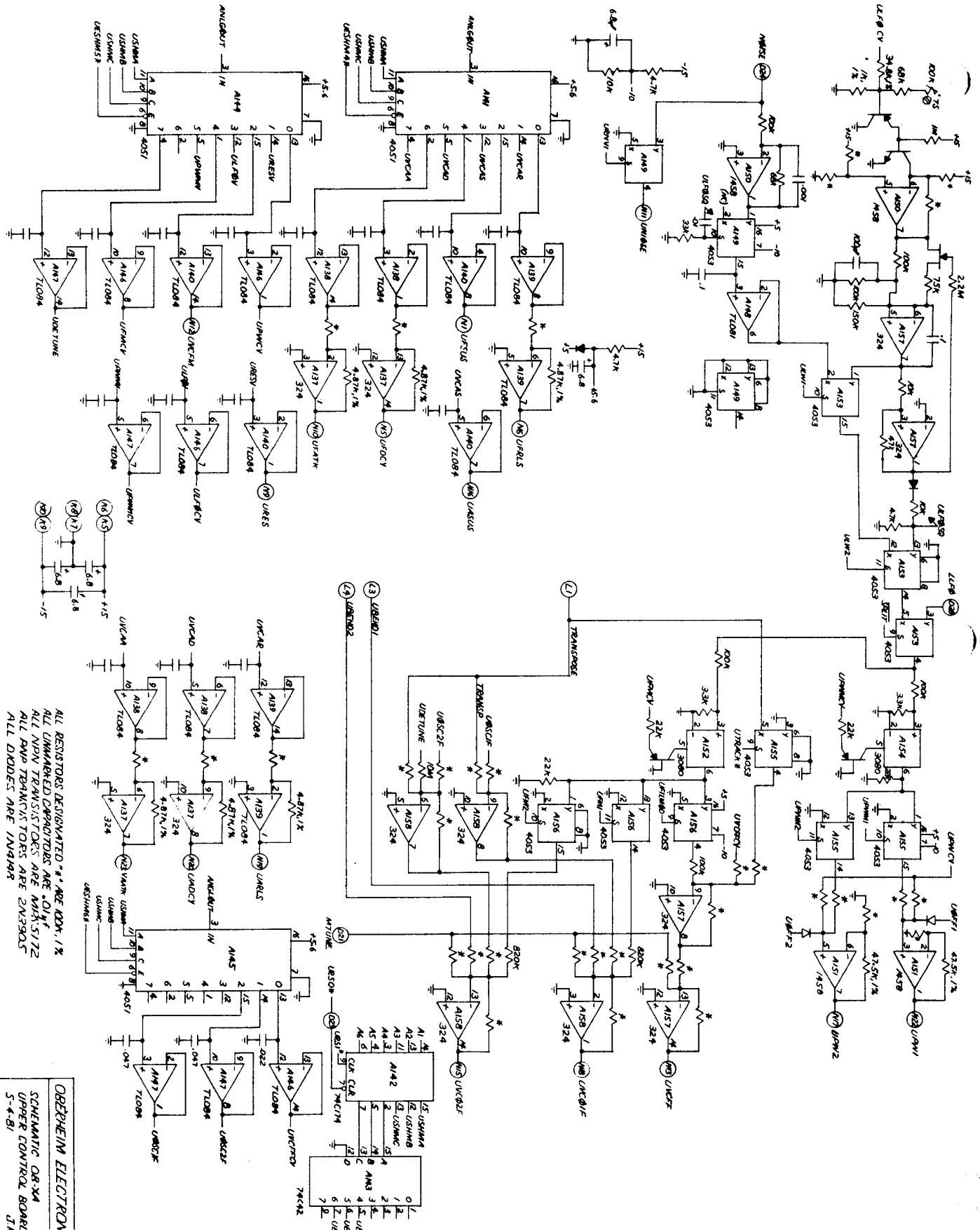
OREHEIM ELECTRONICS INC.
 SCHEMATIC - OR-3/A
 CASSETTE CONTROL BOARD
 4-0-81
 JR



OBERHEIM ELECTRONICS INC.
 SCHEMATIC OB-V4
 UPPER CONTROL BOARD
 4-28-81
 JR

SHEET 1 OF 3

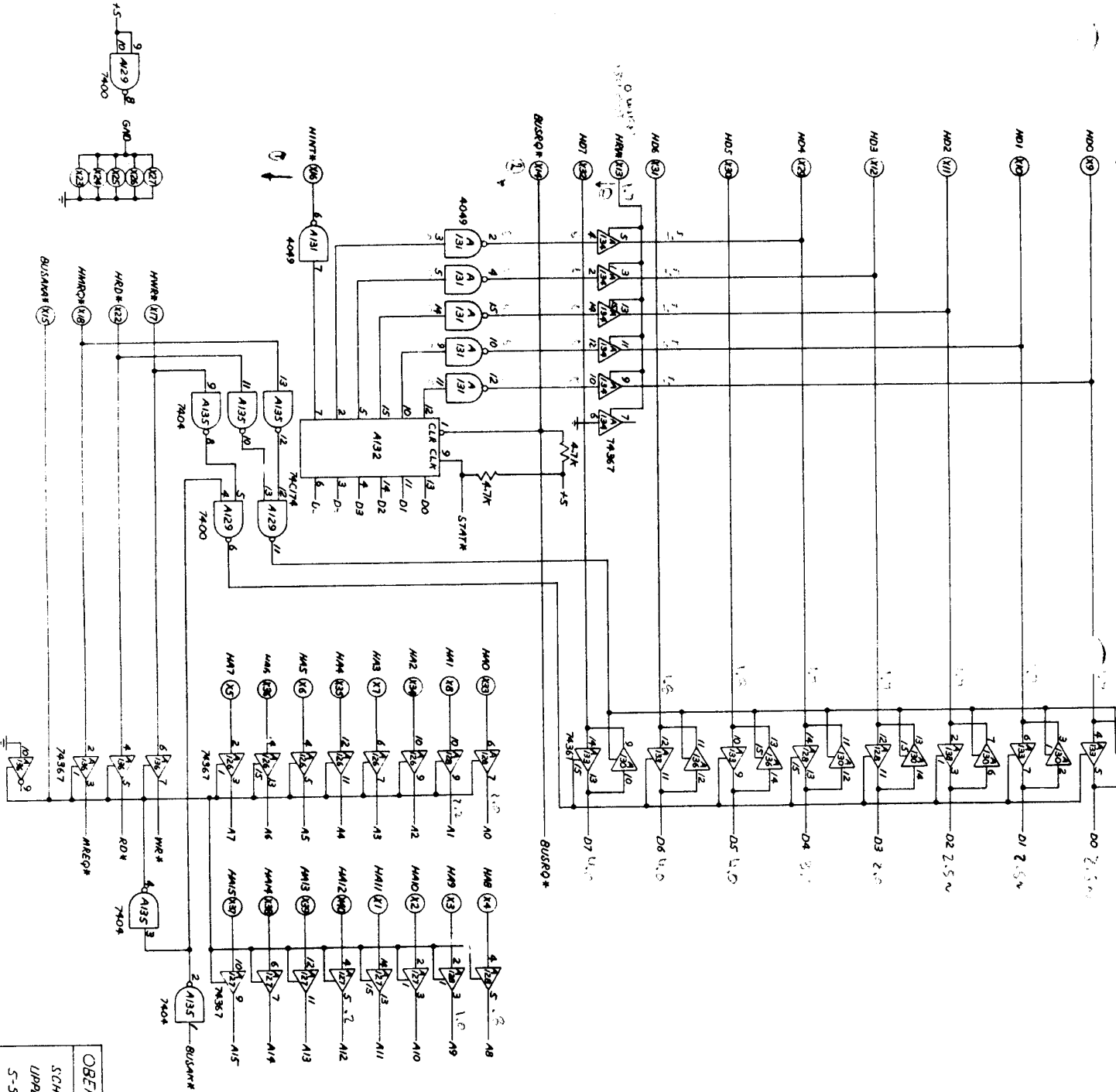
1517



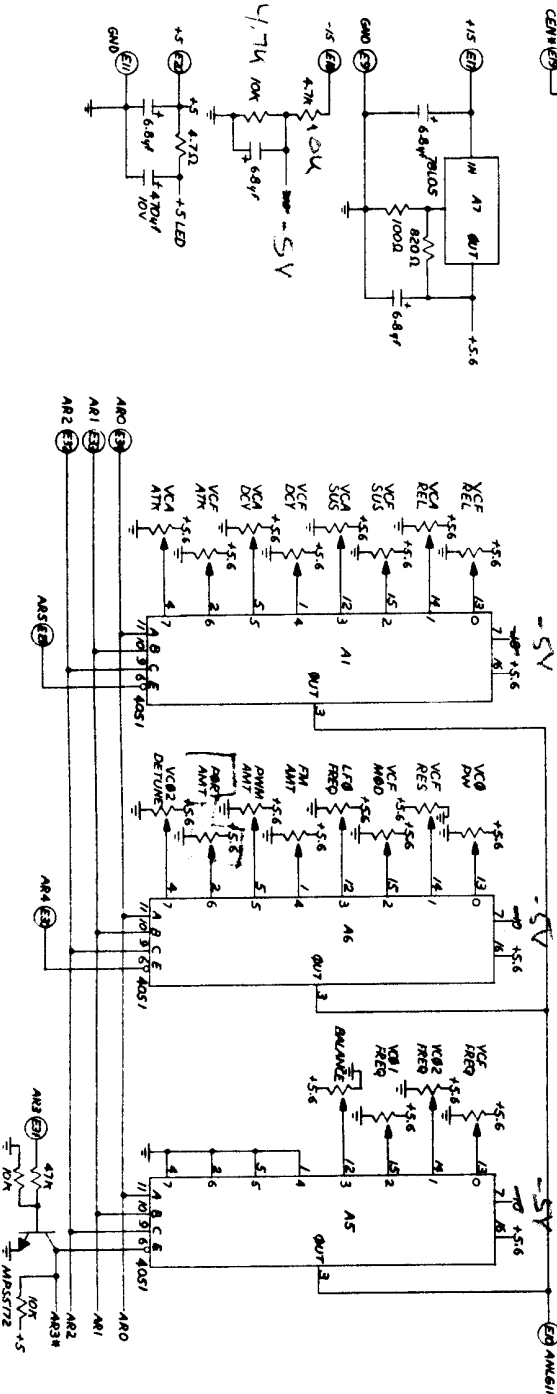
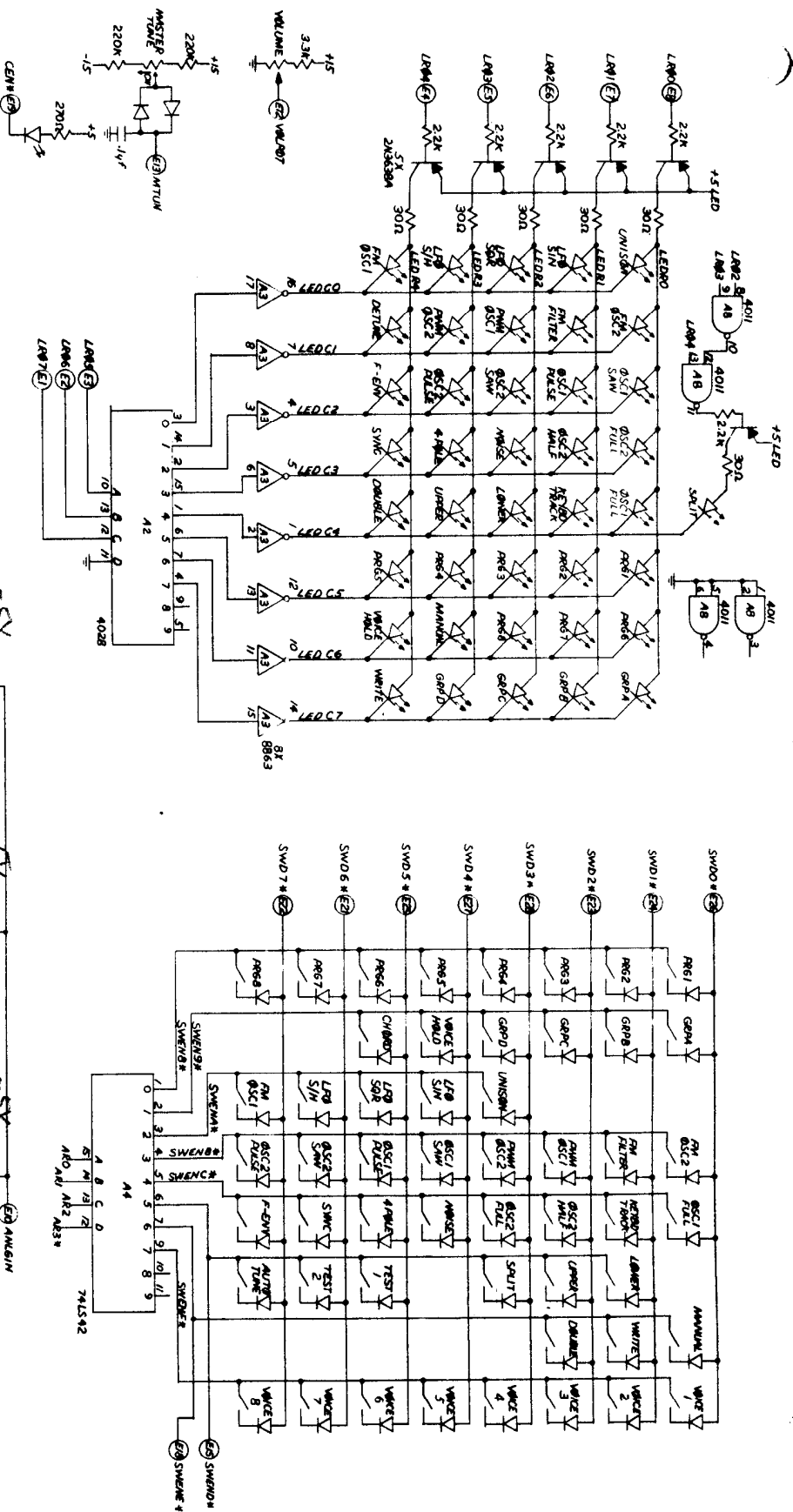
ALL RESISTORS DESIGNATED * * ARE 100K, 1%
 ALL UNMARKED CAPACITORS ARE .01μF
 ALL NEW TRANSISTORS ARE M3A5172Z
 ALL PNP TRANSISTORS ARE 2N5905
 ALL DIODES ARE 1N4148

OBERTHEIM ELECTRONICS INC.
 SCHEMATIC OR-34
 UPPER CONTROL BOARD
 5-4-B1

(ALL X CONNECTORS ARE LABELED IN ON FIRST UNITS)



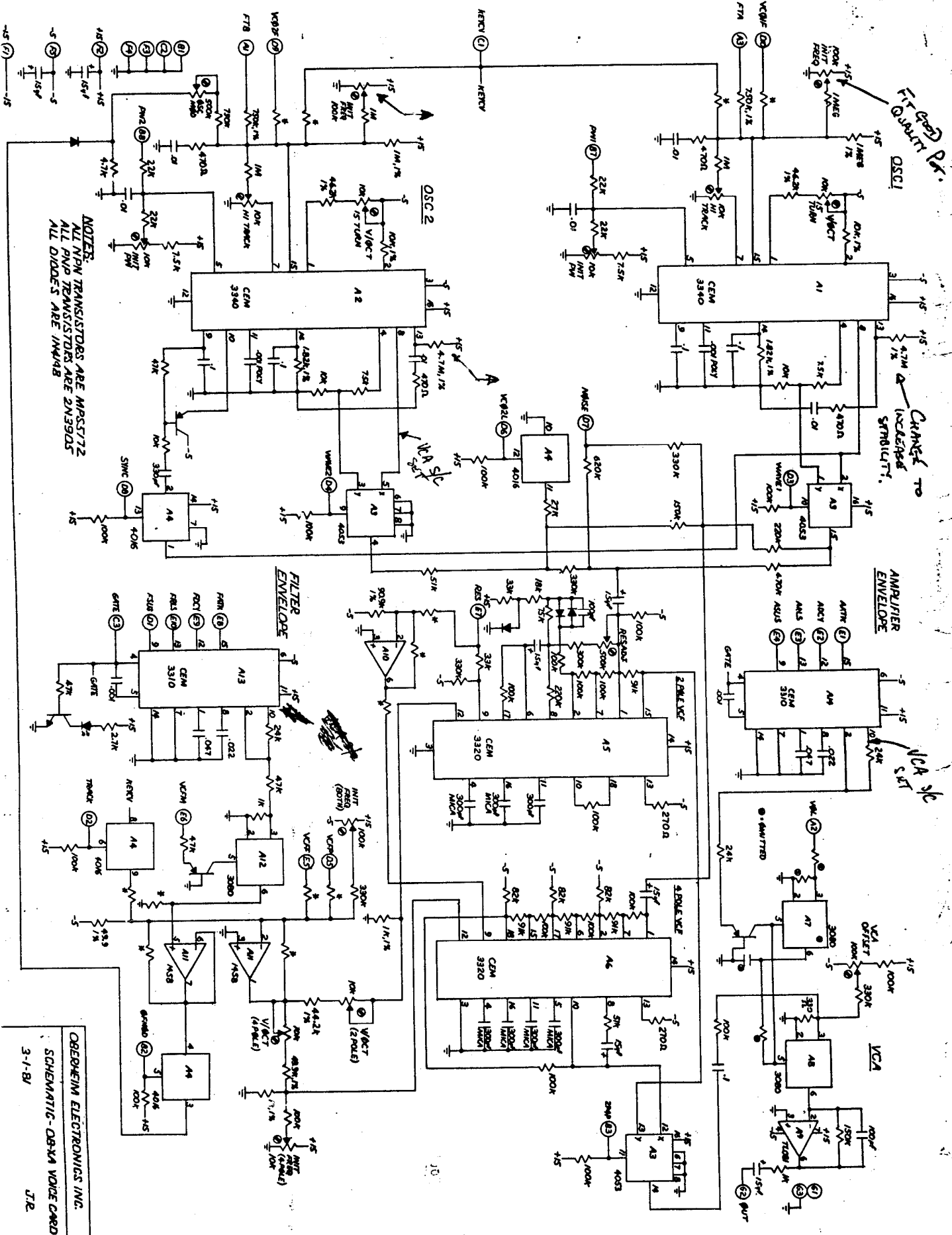
OBERHEIM ELECTRONICS INC.
SCHEMATIC Q8-XA
UPPER CONTROL BOARD
5-5-81
J.R.



NOTES - UNLESS OTHERWISE INDICATED:
 1) ALL RESISTORS ARE 1/4 W, 5 %
 2) ALL DIODES ARE IN4004
 3) ALL POTS ARE SOX LIN GM #
 4) ALL PNP TRANSISTORS ARE 2N6389A

OBERHEIM ELECTRONICS INC.
 SCHEMATIC - 08-14 POT BOARD
 1-27-81 J.R.

1518



NOTES:
 ALL NPN TRANSISTORS ARE MPS2722
 ALL PNP TRANSISTORS ARE 2N3904
 ALL DIODES ARE 1N4148

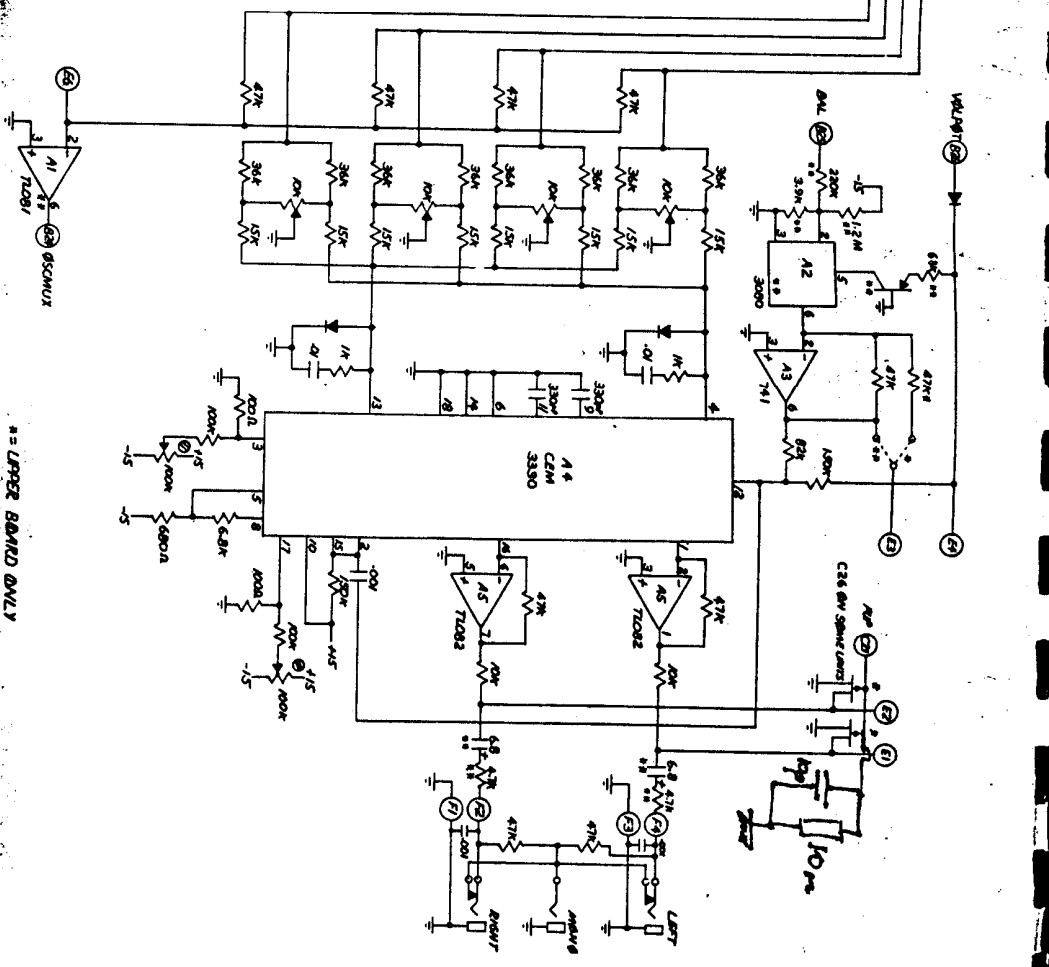
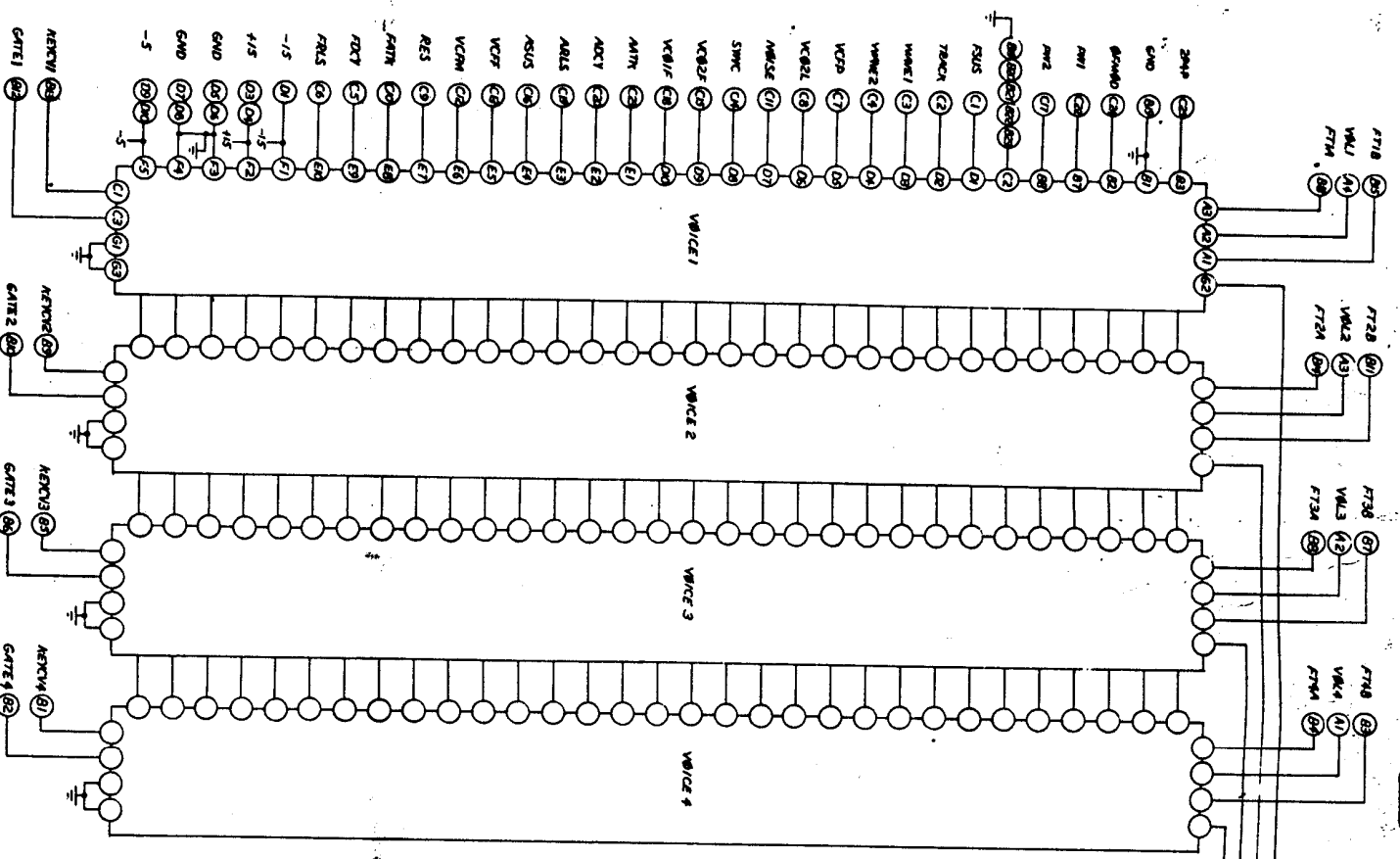
FIT GOOD QUALITY P.P.

CHANGE TO INCREASED STABILITY.

AMPLIFIER ENVELOPE

NCA S/C

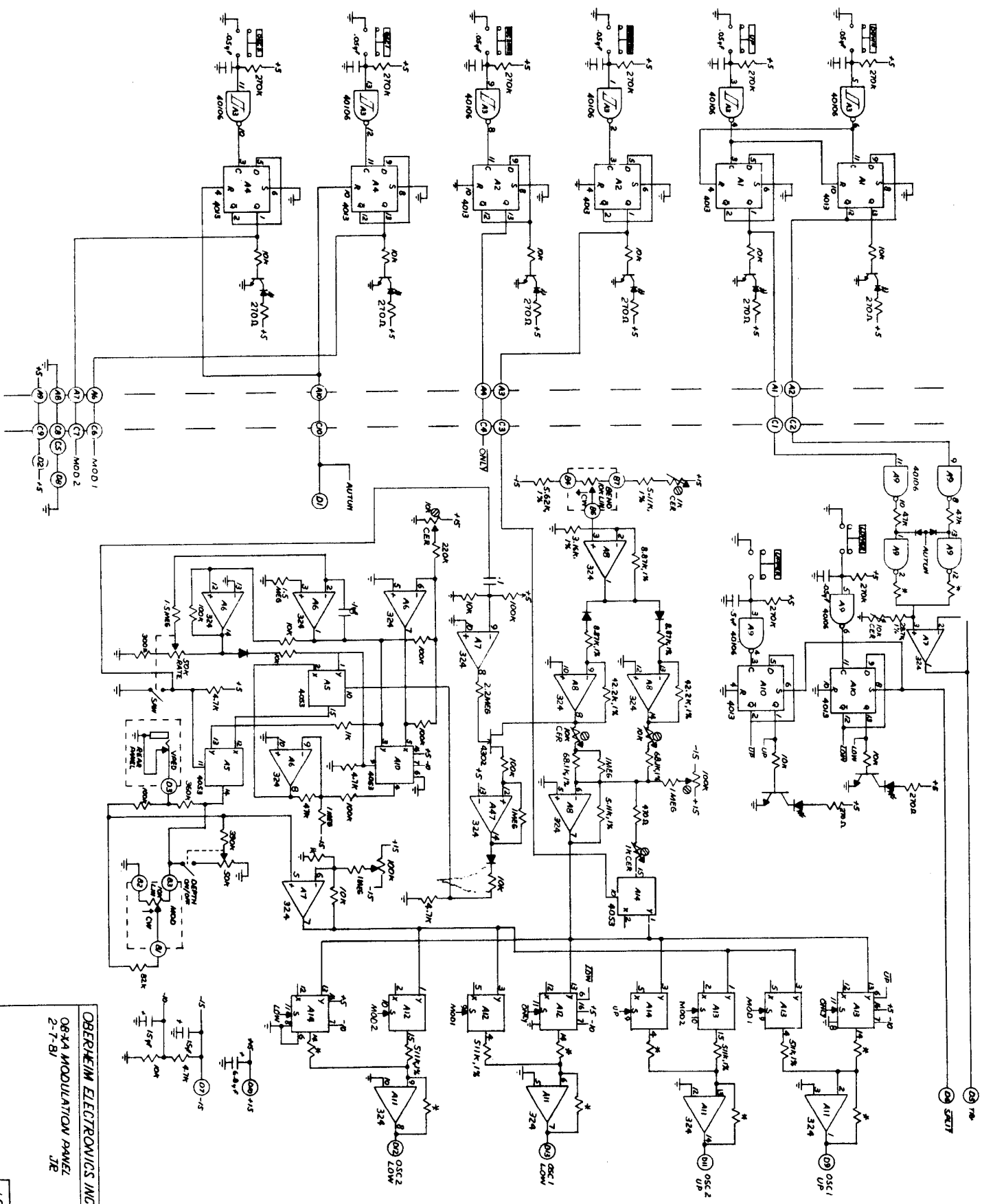
VCA



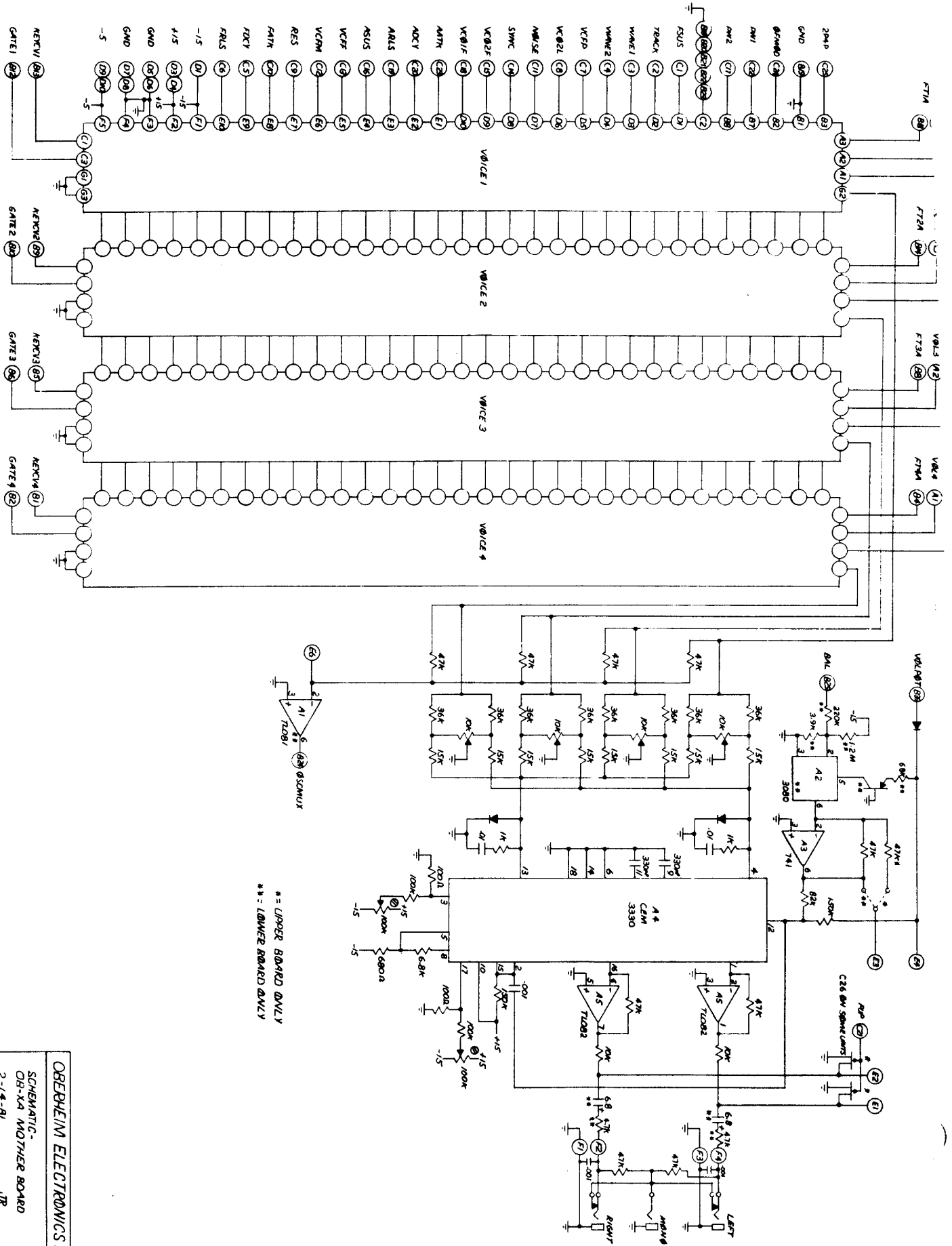
100pF Elec
 +15V
 -15V TO Ground

** = UPPER BOARD ONLY
 ** = LOWER BOARD ONLY

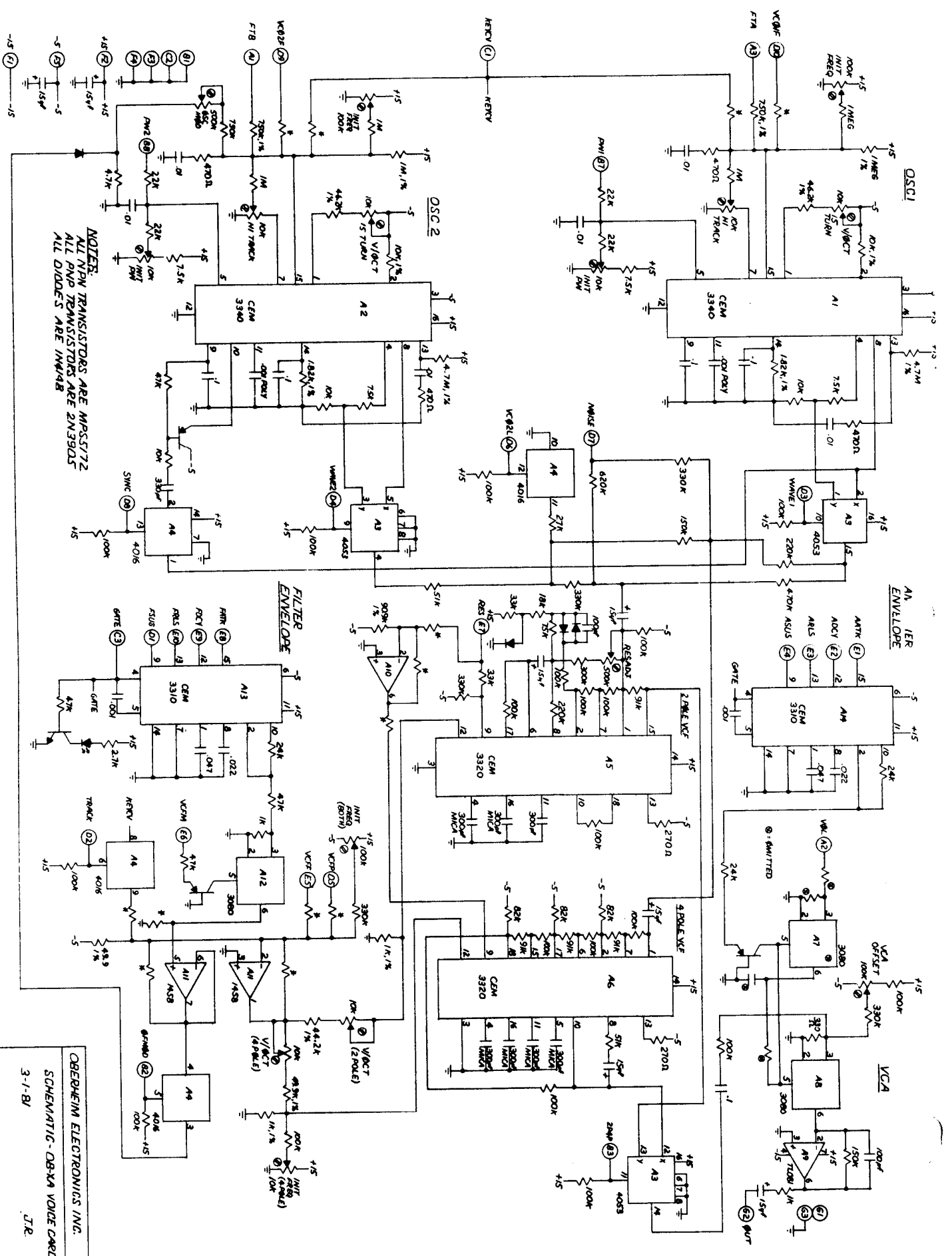
OBERHEIM ELECTRONICS INC.
 SCHEMATIC -
 OB-1A MOTHER BOARD
 2-1-81 JR



OBERHEIM ELECTRONICS INC.
 08-2A MODULATION PANEL
 2-7-B1
 JRE



** = UPPER BOARD ONLY
 ** = LOWER BOARD ONLY



NOTE:
ALL NPN TRANSISTORS ARE MMS572
ALL PNP TRANSISTORS ARE 2N3904
ALL DIODES ARE 1N4148

OBERHEIM ELECTRONICS INC.
SCHEMATIC - DB-XA VOICE CARD
3-1-B/ J.R.