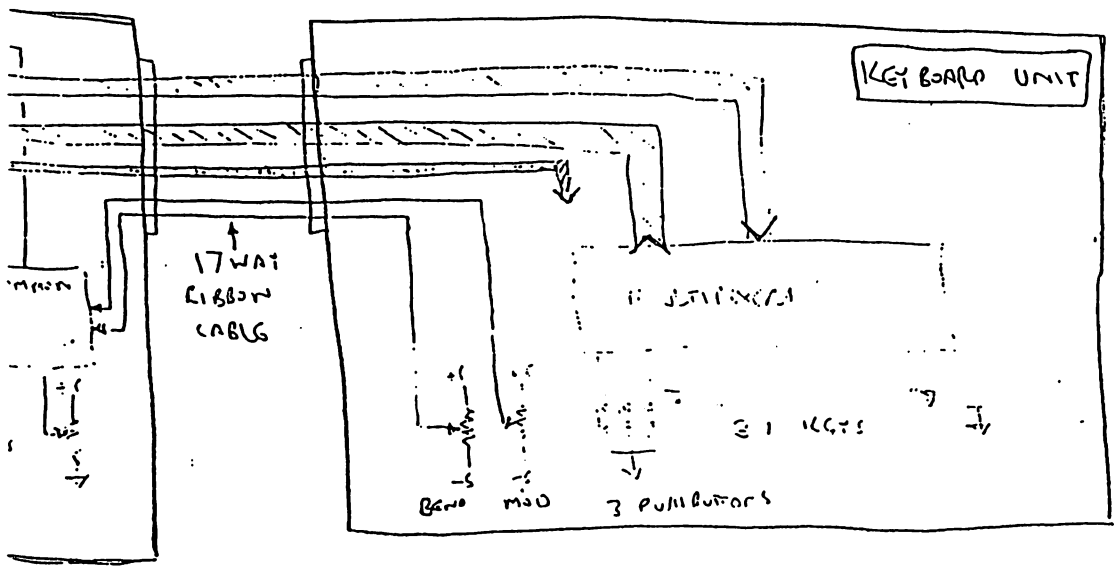
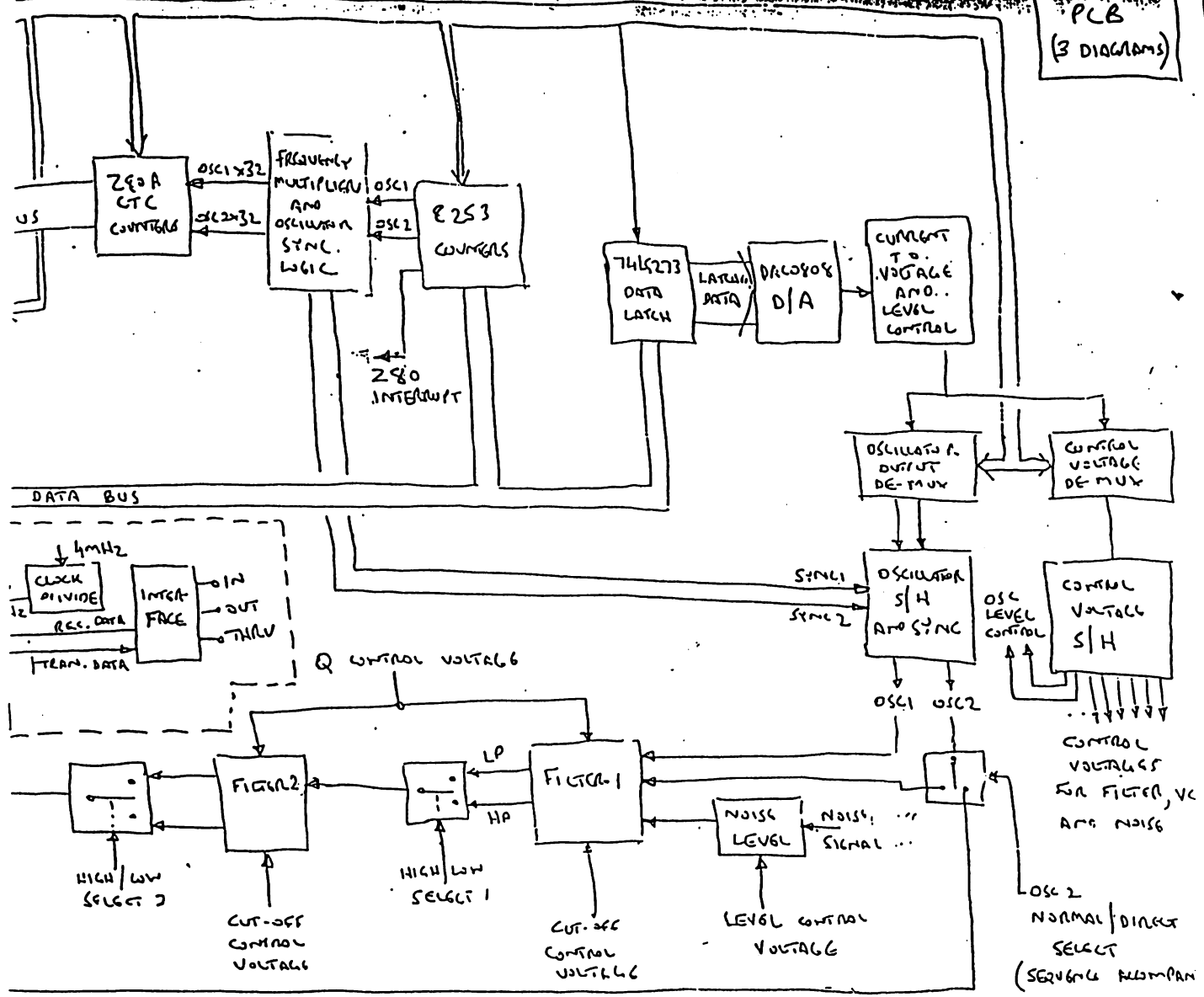
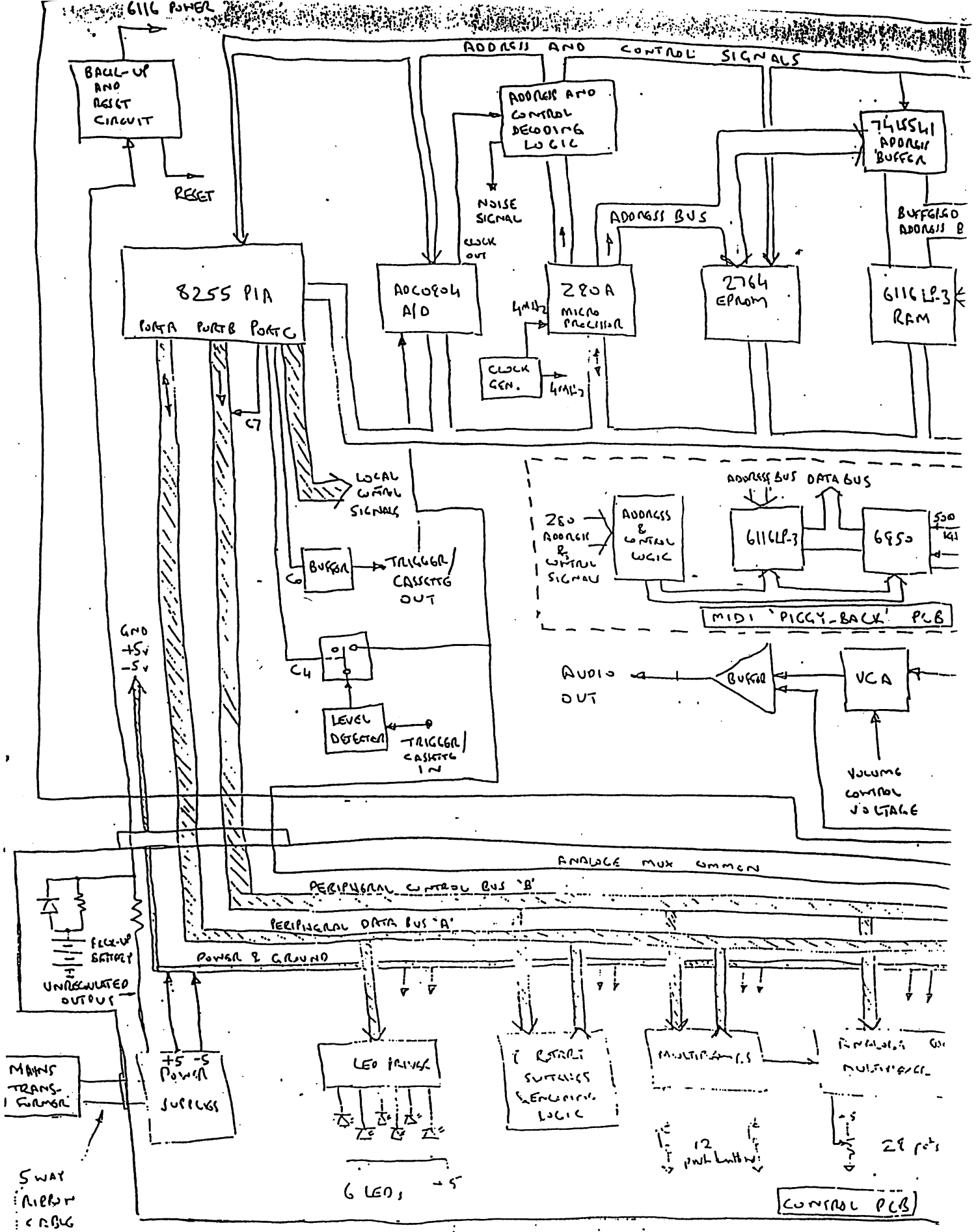


Processor PCB  
(3 DIAGRAMS)

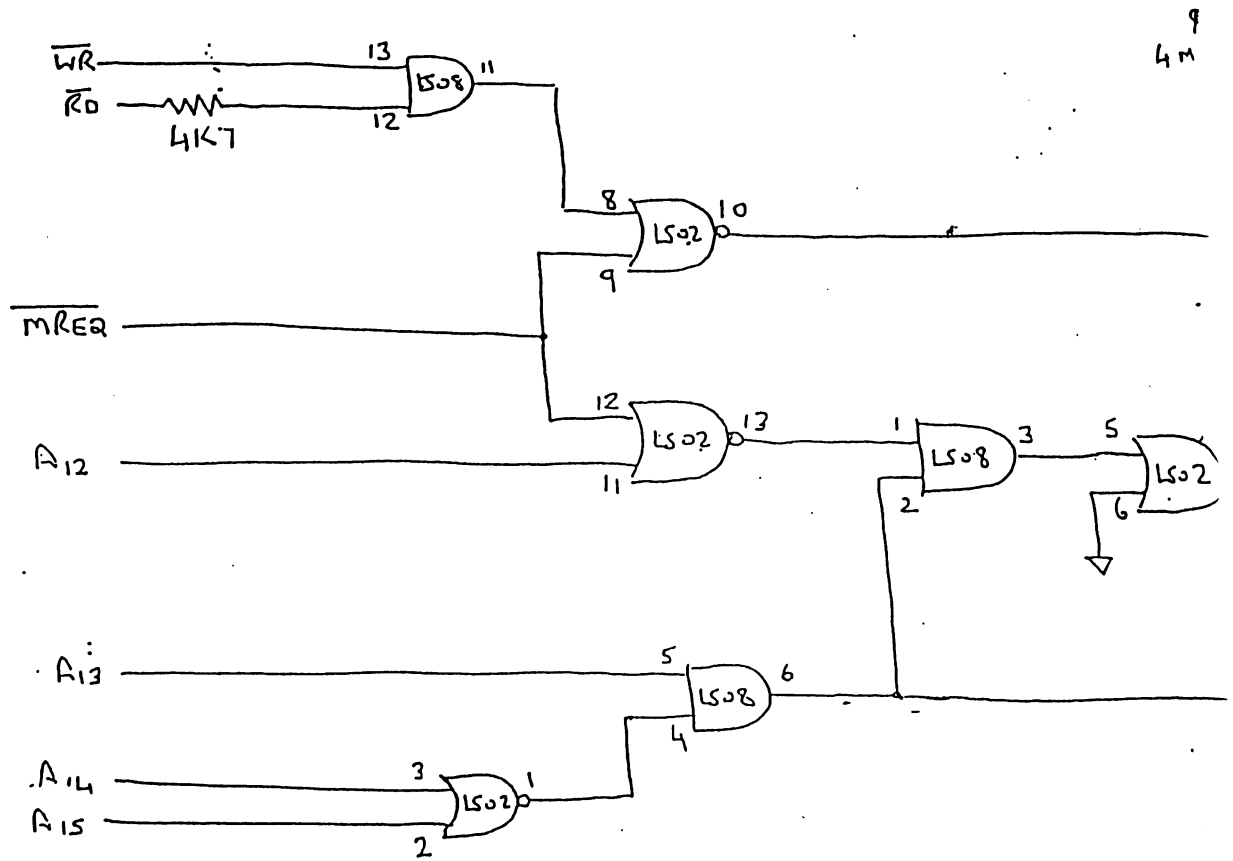


(1)



①

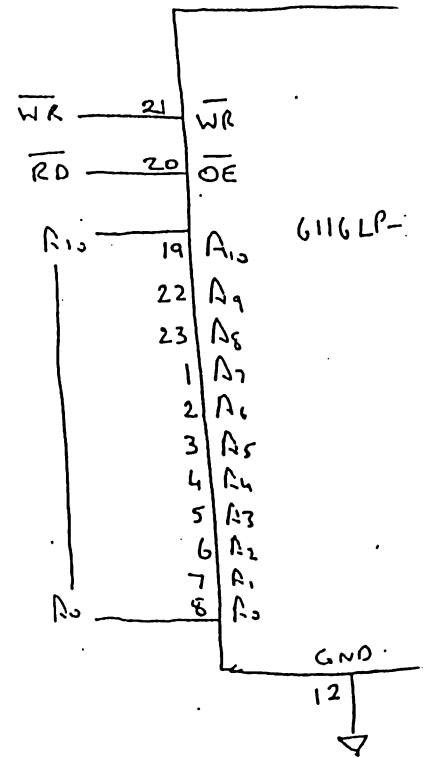
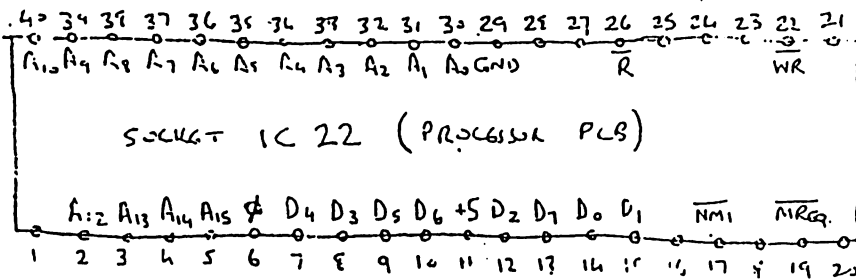
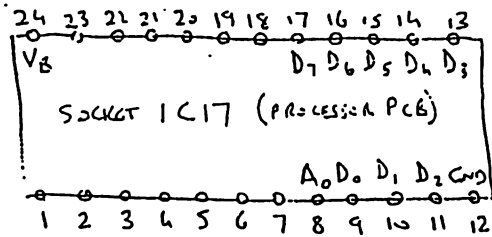
# OSCAR MIDI PCB.



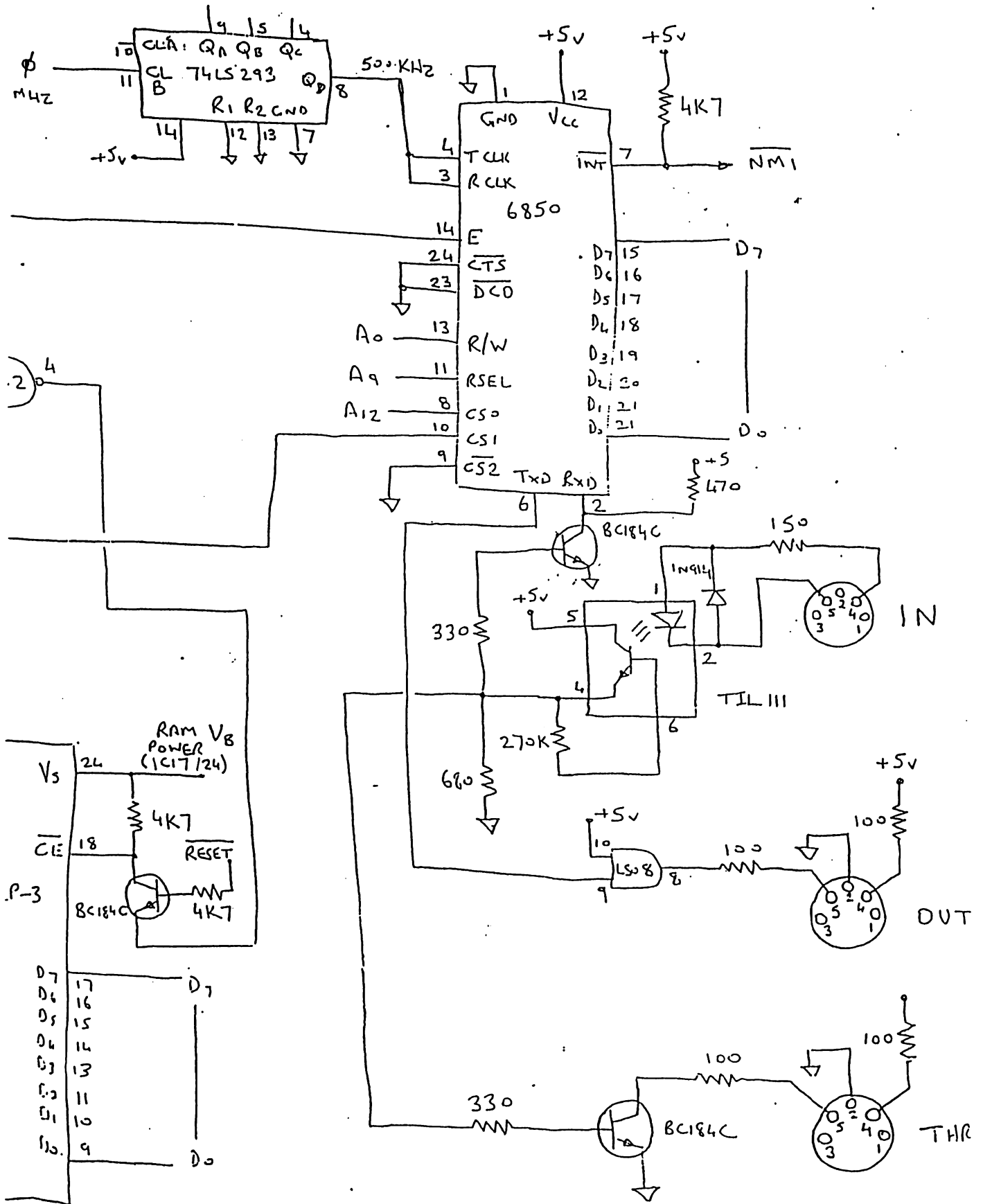
## UNMARKED POWER CONNECTIONS

- 74LS02 +5V Pin 14
- 74LS08 GND Pin 7

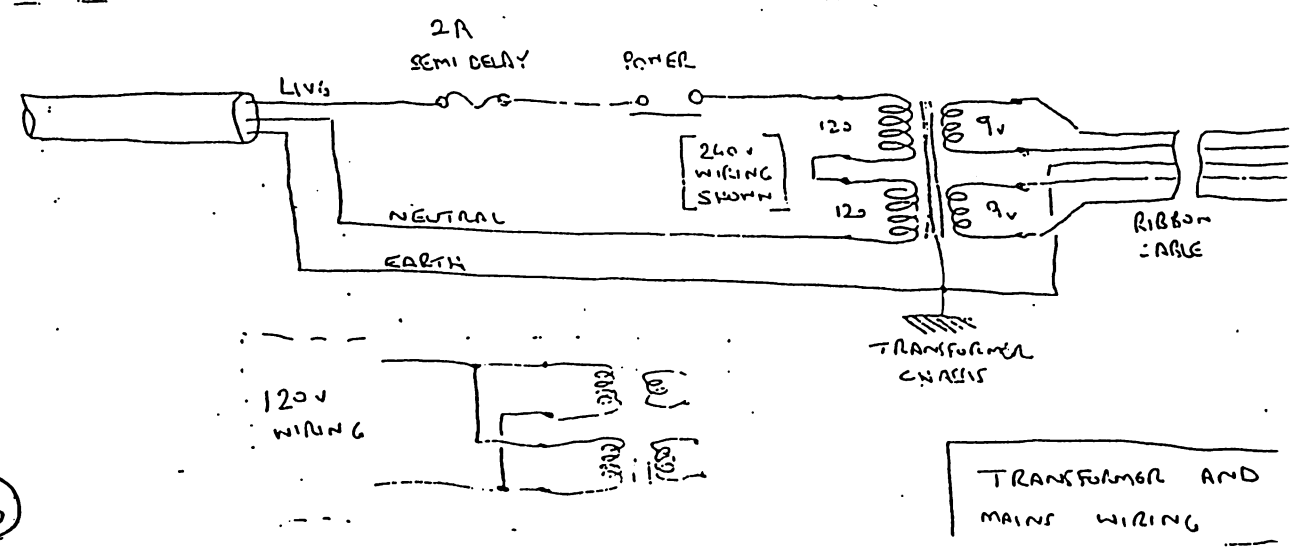
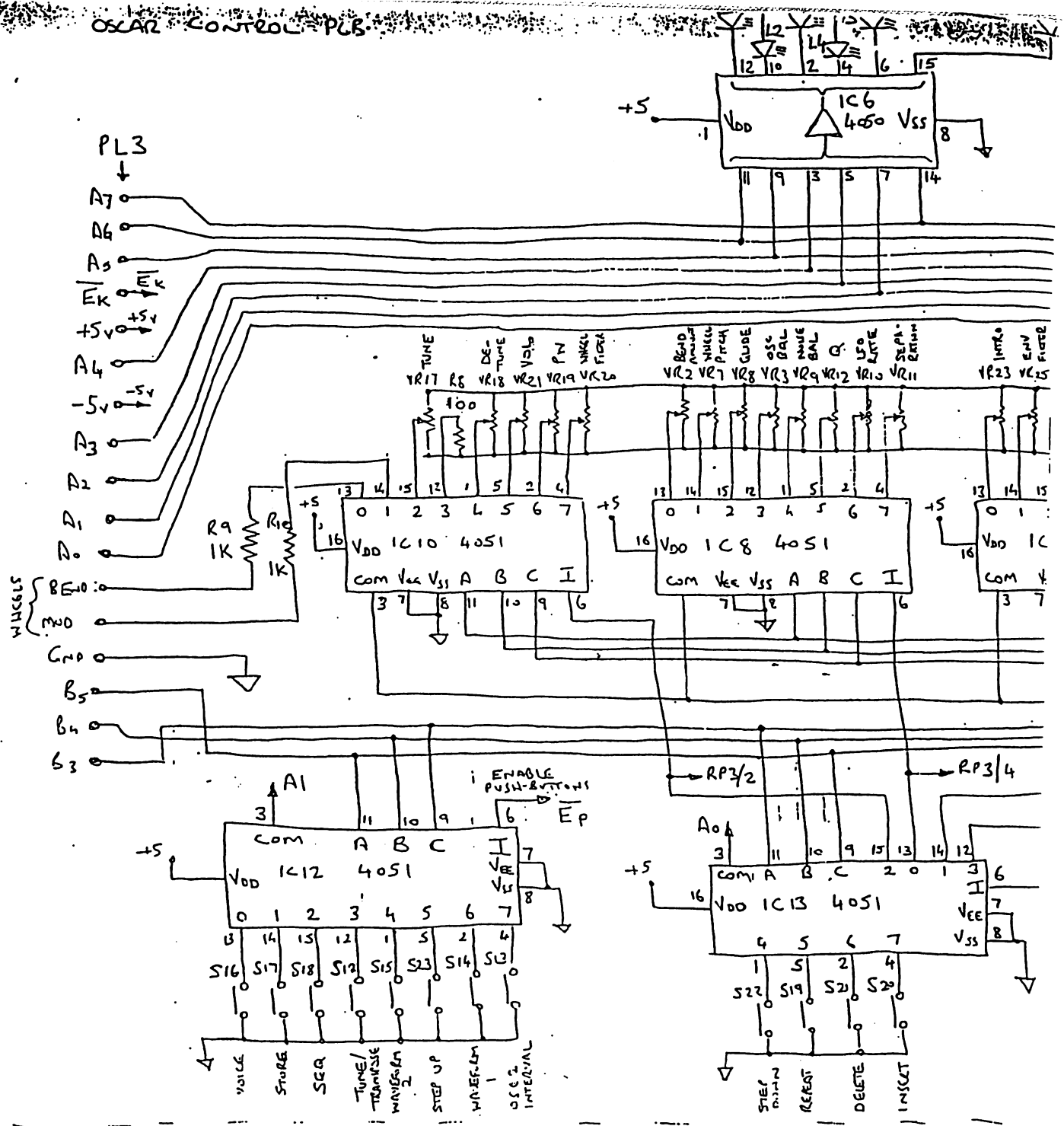
## CONNECTIONS CARRIED VIA PROCESSOR PCB SOCKETS



(2)



(2)

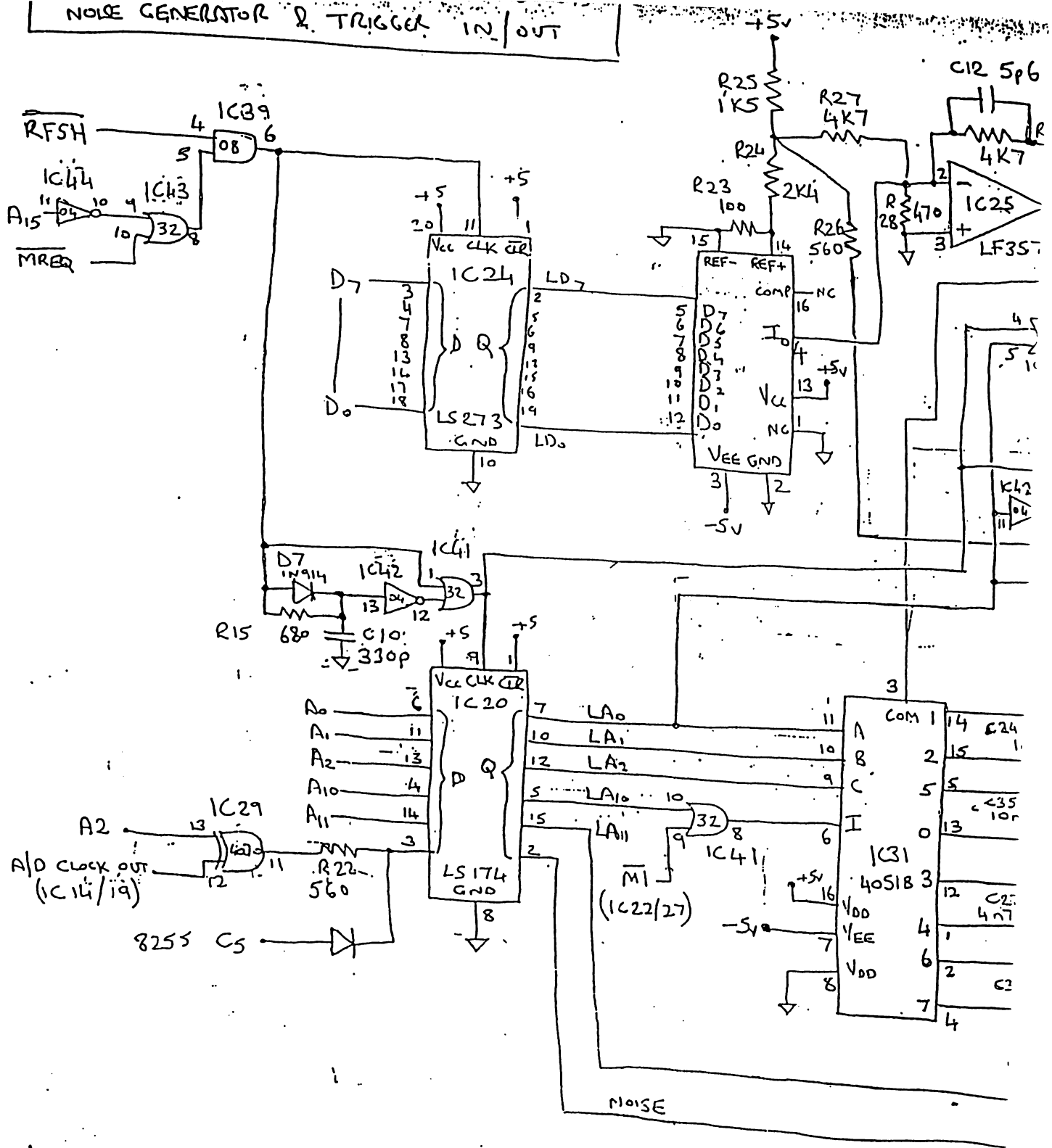


3

TRANSFORMER AND MAINS WIRING



# NOISE GENERATOR & TRIGGER IN/OUT



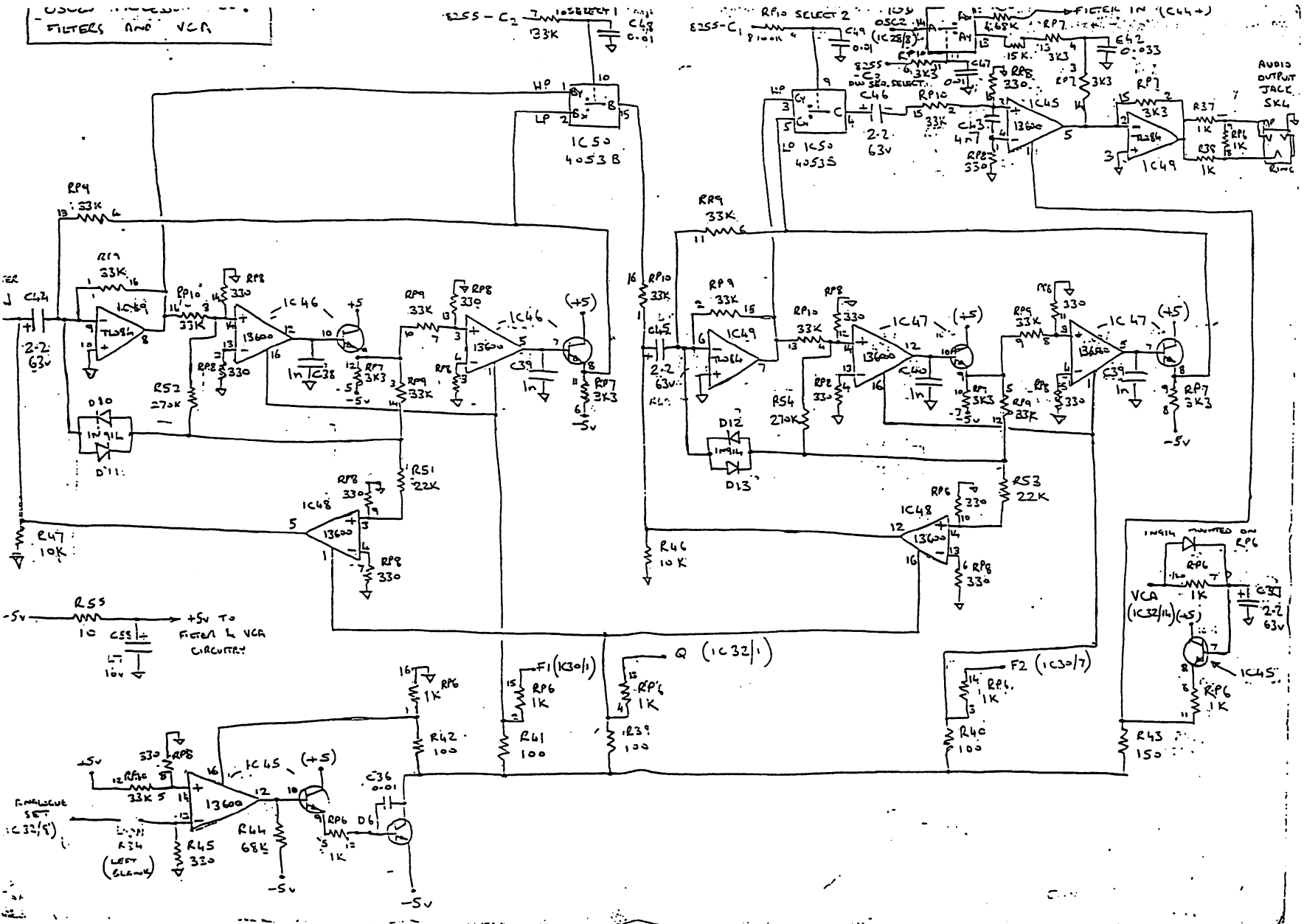
④

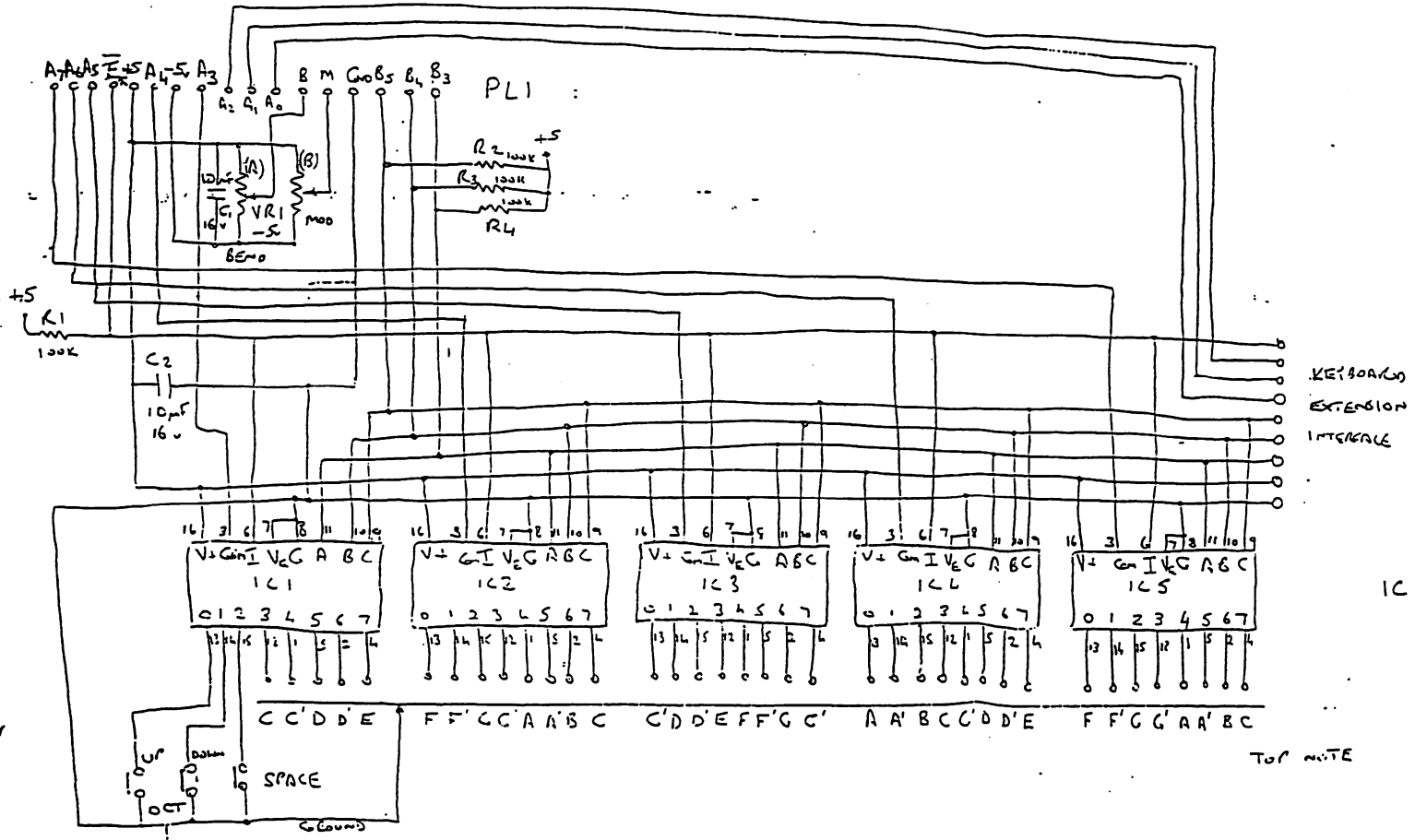






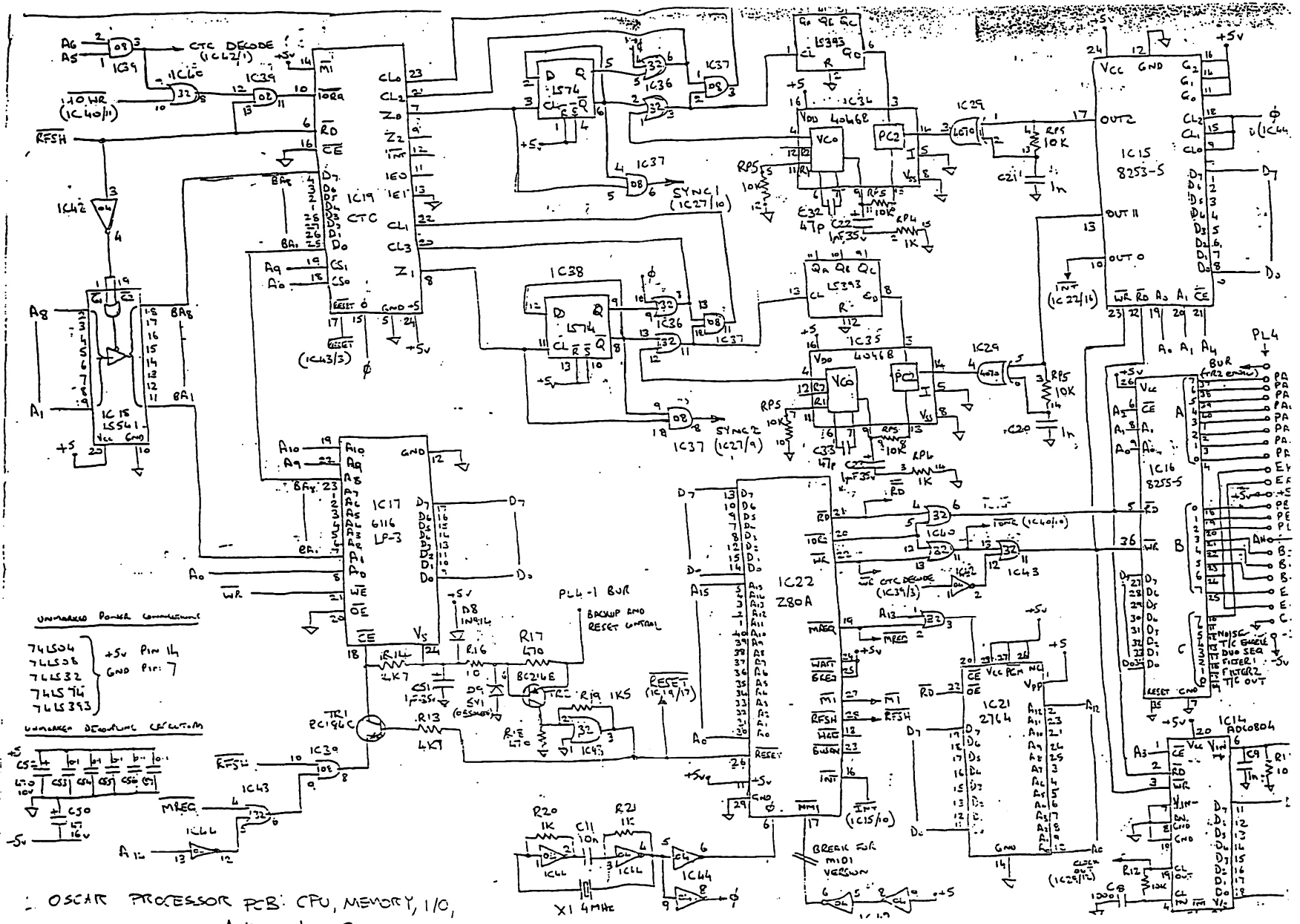
USDA FILTERS AND VCA





IC1 - IC5 = 4051B

OSCAR KEYBOARD PCB



UNMATCHED POWER CONNECTIONS  
 74LS04 } +5v Pin 14  
 74LS26 } GND Pin 7  
 74LS32 }  
 74LS74 }  
 74LS393 }  
 UNMATCHED SIGNAL CONNECTIONS

OSCAR PROCESSOR PCB: CPU, MEMORY, I/O,  
 A/D and OSCILLATOR LOGIC