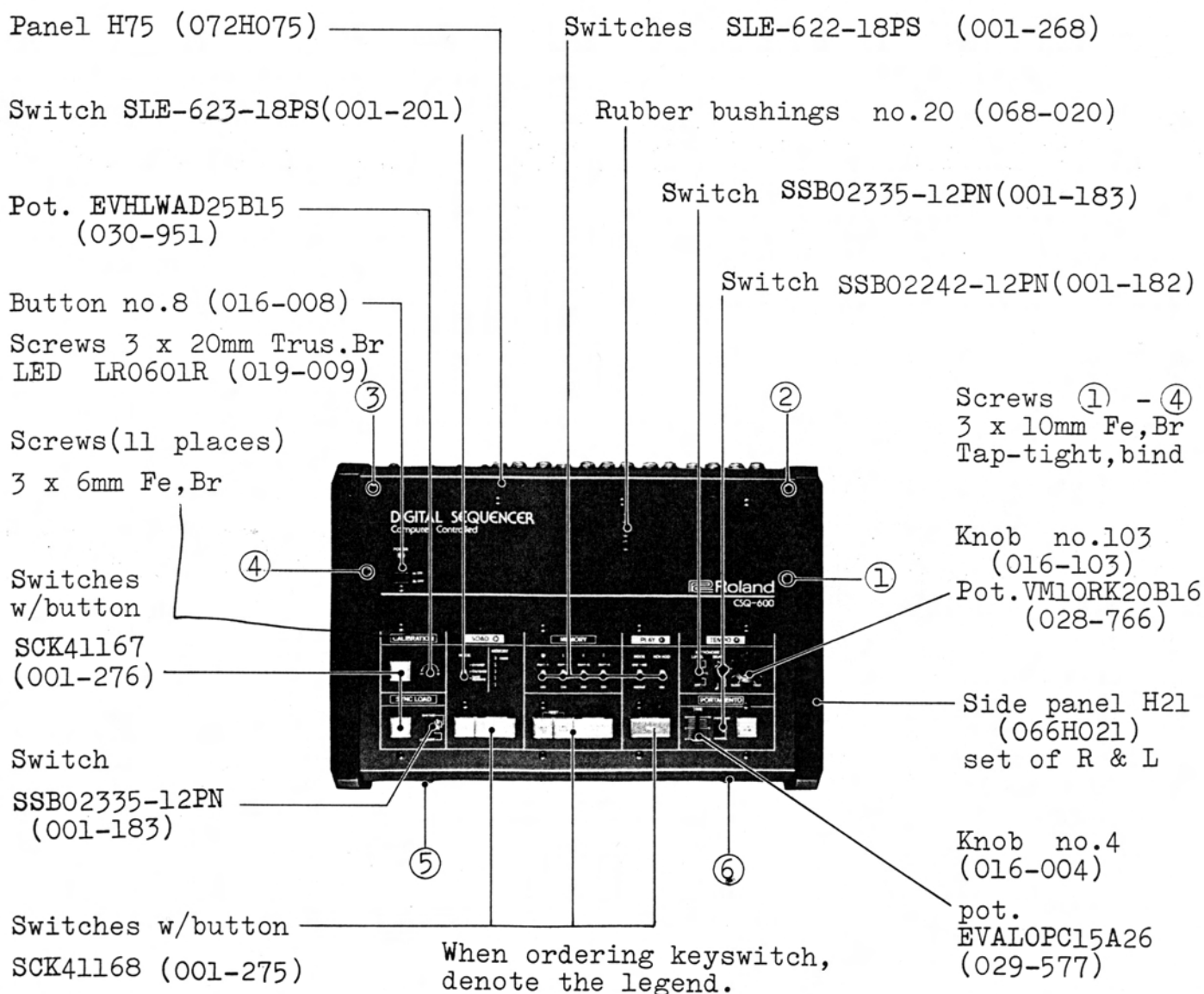


CSQ-600 SERVICE NOTES

First Edition

Maximum storage capacity -----	600 notes (150 notes/part x 4)
CV ----- Input - 1V/oct, 0V to +5V; Output - 1V/oct, -2V to +8V	
GATE ----- Input - Threshold +2.5V; Output - Off: 0V, On: +15V	
CLOCK -----	Output & Input - 700Hz to 4.7kHz
STEP PULSE INPUT -----	Threshold +2.5V
START & STOP PULSES INPUT ----	Close-Open or +15V
START PULSE OUTPUT -----	Normal: 0V, LOAD or PLAY: +15V
STOP PULSE OUTPUT -----	Normal: +15V, LOAD or PLAY: 0V
Power consumption -----	8 watts
Dimensions -----	450 (W) x 305 (D) x 95 (H) mm 17.7 x 12.0 x 3.7 in
Weight -----	3.8 kg 8.58 lbs



DISASSEMBLY

TO AVOID ABRASION on inside surfaces of side panels, open the top and side panels simultaneously by removing the screws indicated with circled numbers, except ① - ④.

OPH114 can be removed off the top panel by unscrewing at the foil side and by pulling out TEMPO and TIME knobs on the top panel.

Switch

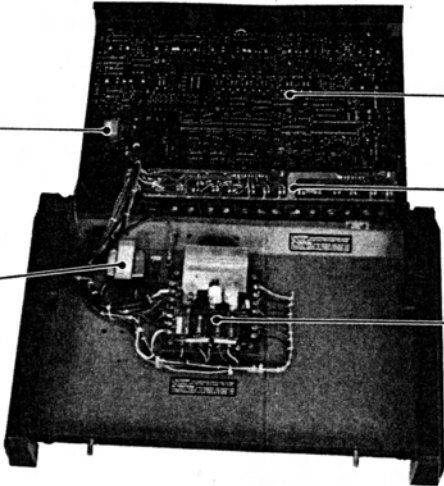
SDG5P001-1 (001-215)
100V

SDG5P001-2 (001-216)
117V

SDG5P502 (001-217)
220/240V

Power transformer

022H024J 100V
022H024C-A 117V
022H024D 220/240V

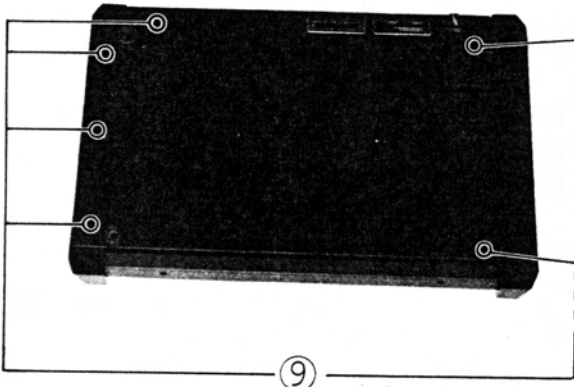


OPH114

OPH115

PSH39 100V
PSH40 117V
PSH41 220/240V

* In ordering PCB replacement, suffix alphabet to the name, if any.



Rubber foot G-5 (111-021)

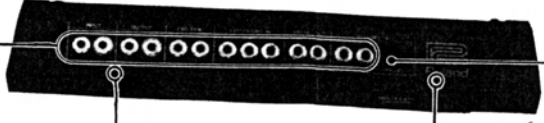
Screws 3 x 10 mm tap-tight B, binder

Rubber foot G-7 (111-023)

⑨

Screws 3 x 10 mm Fe, Br, tap-tight B, binder

Jack SG7622 (009-012)

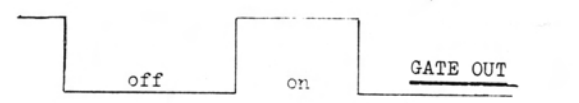
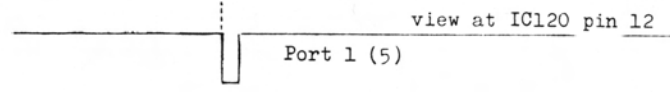
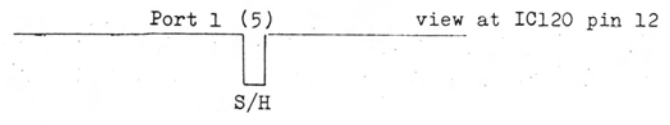
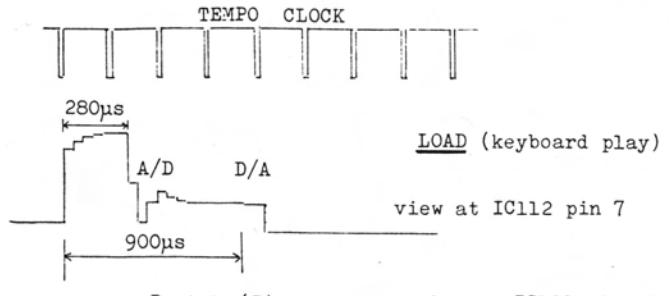
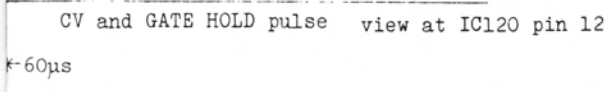
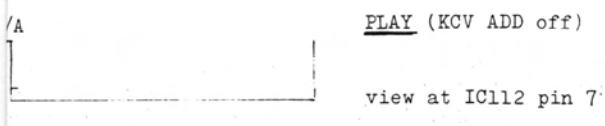
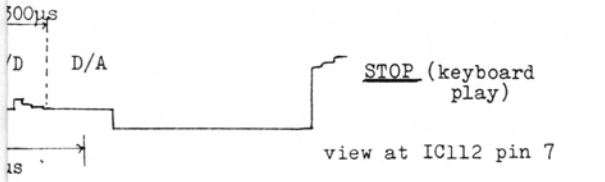
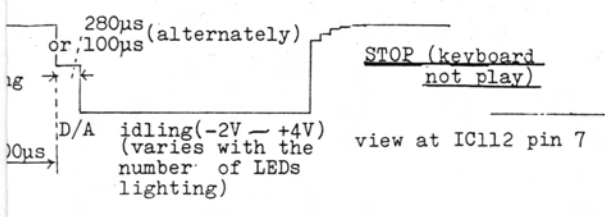
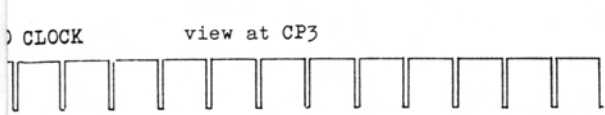


DIN connector
TCS0250
(13429604)

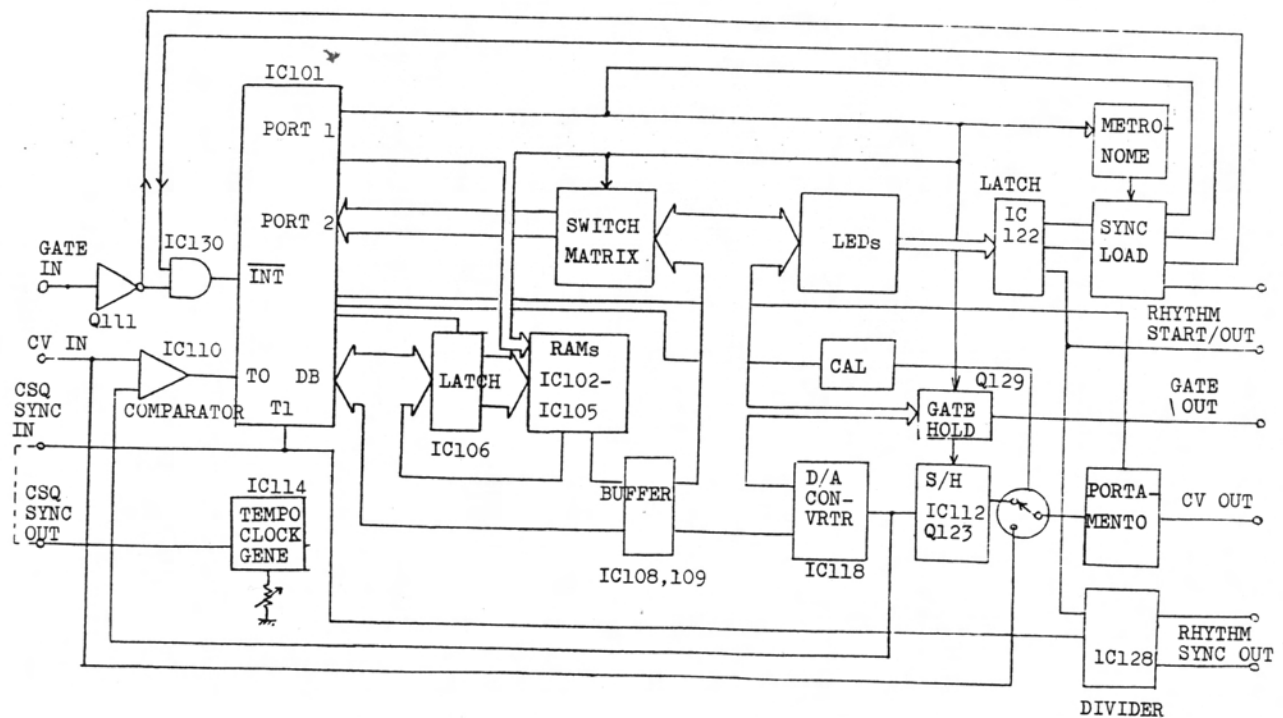
⑧

⑦

Screws 3 x 10 mm Fe, Br, tap-tight B, binder



BLOCK DIAGRAM



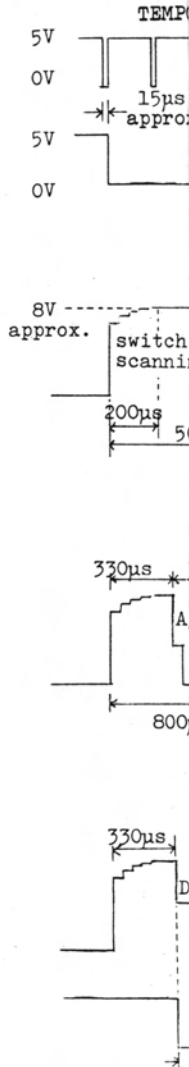
μPD8048C

Designation	Pin No.	Function	
DB (Data bus)	0	12	
	1	13	
	2	14	
	3	15	
	4	16	
	5	17	
	6	18	
	7	19	
P 1 (Port 1)	0	27	RAM address, LED select
	1	28	RAM address
	2	29	RAM address
	3	30	RAM address
	4	31	LED timing
	5	32	Output CV S/H, Gate hold timing
	6	33	RAM CS enable
	7	34	Metronome timing
P 2 (Port 2)	0	21	...
	1	22	...
	2	23	CV IN by-pass enable during the STOP mode
	3	24	Portamento ON/OFF
	4	35	
	5	36	
	6	37	
	7	38	
7	38		
RESET	4	Input to reset the 8048 when power is ON	
INT	6	External gate input	
TO	1	Digital data input during A-D conversion	
T1	39	Accepts TEMPO clock output	
XTAL 1	2	External source inputs for internal oscillator	
XTAL 2	3		

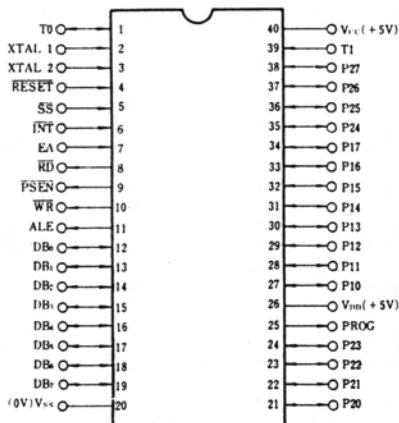
μPD8048C-077 & μPD8048C-256
Difference in Function between the Two in STOP MODE

-077
Accesses to another memory chip upon PART switches resettings.

-256
Keeps the same PART until PLAY or LOAD is pressed.

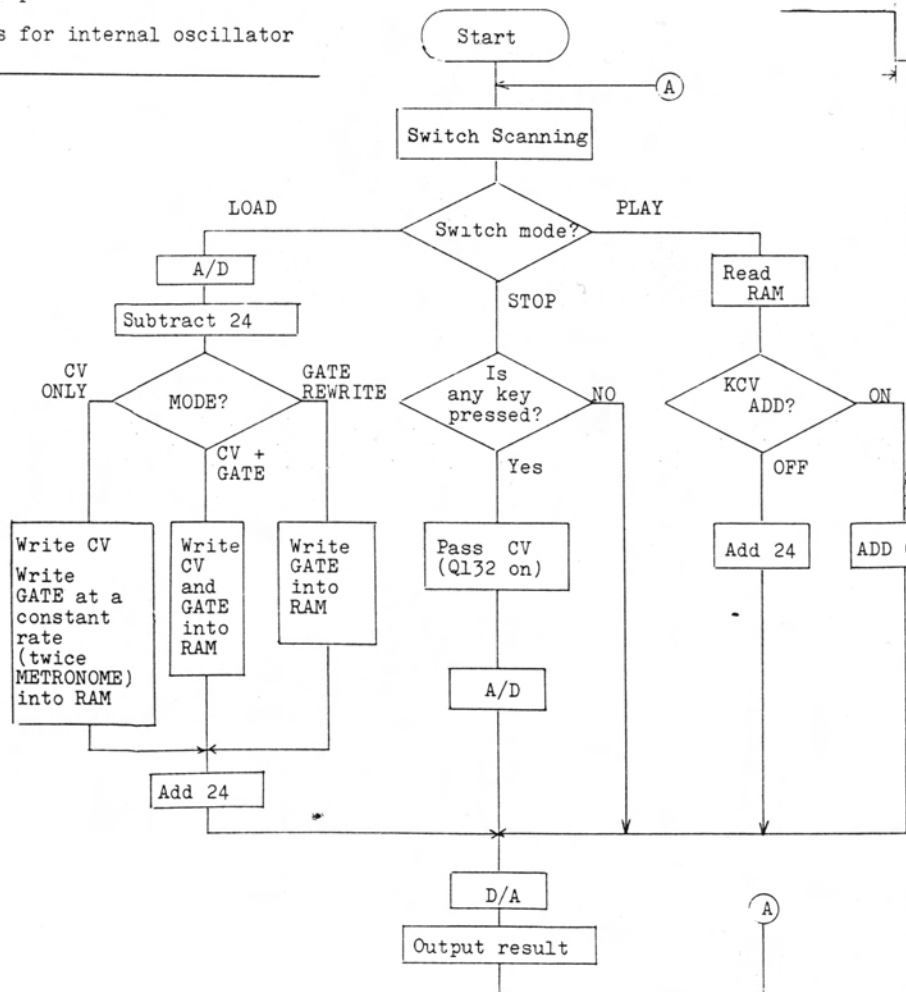


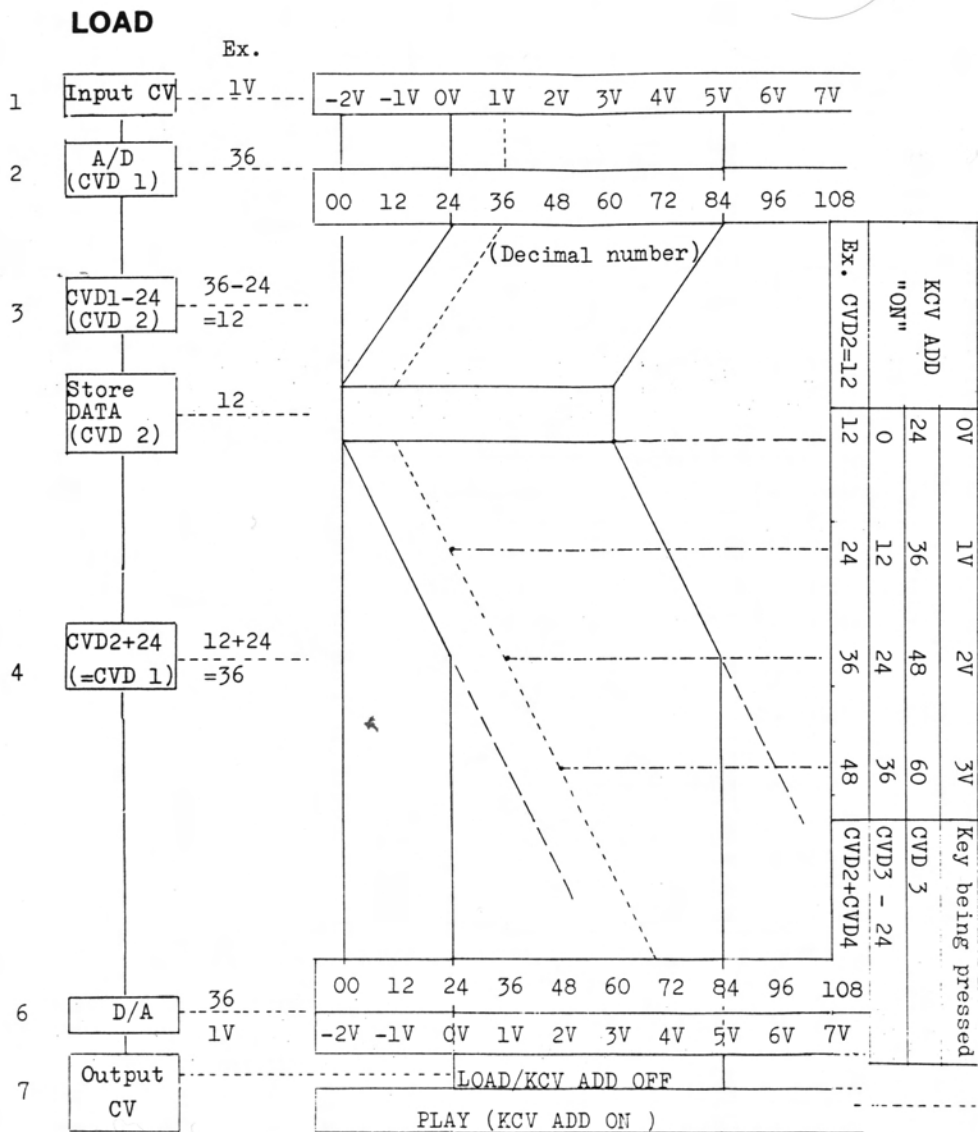
(Top View)



The μPD8048 is an 8-bit parallel computer fabricated on a single silicon chip. The 8048 contains a 1k x 8 ROM program memory, 27 I/O lines, an 8-bit timer/counter and clock circuits.

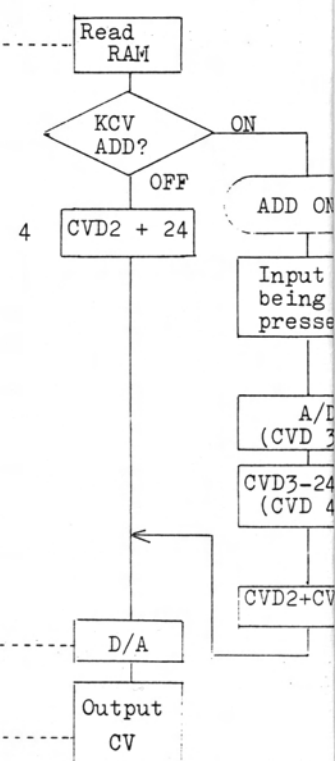
Used in the CSQ-600 is a μPD8048C-077 or 256 version. Program and data dedicated to the CSQ-600 are stored in the resident memory.





Note:
The digital data in this manual are expressed in Decimals.

PLAY



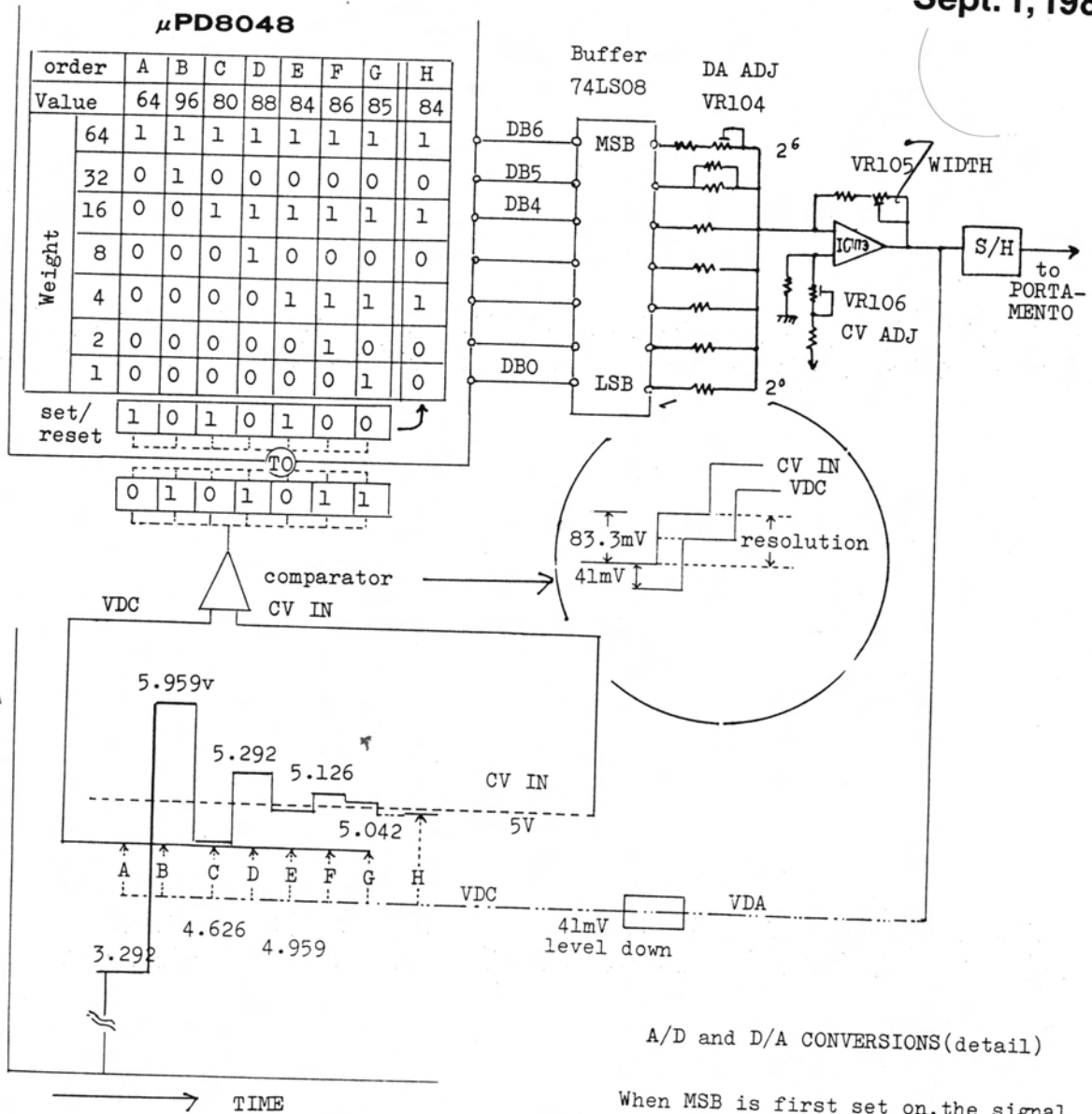
DETAILED CIRCUIT DESCRIPTION

Since in the CSQ-600, the key voltage which are analog quantam are first converted to digital for storing in RAM and again afterward are converted to analog for CV OUT. These A/D and D/A conversions are just as important as the heart is to man. It might be said that without understanding of these conversion principles and pertinent analog vs digital data relationship, all adjustment services which are related to key voltage circuits become difficult to perform correctly. With this in mind our description will proceed along with the line as numbered in the figure above.

3. For this reason, storing data for KCV IN lower than 0V into RAM is unnecessary. Besides, 6 bits ($2^6 = 64$) are enough in handling voltages 0 to 5V; the number of pitches are 61 if taken in the ratio of 1V/oct. But 7 digits would be required for covering 61 notes if started from 0V = 24. To make 0V = 00(in decimal), numbers 24 are being subtracted after A/D conversion. Digit "1" in the data corresponds to analog voltage 83.3mV or 84mV - a potential difference between adjacent keys on the keyboard.

1. Storage capacity of the RAM in the CSQ-600 is 5 volts in terms of analog quantity. It accepts KCV within the range of 0V to 5V or 61 notes.
2. As described on later section 5, CSQ-600 is so designed that it can output -2V KCV from 0V KCV input. Therefore, the smallest CV to be processed in the CSQ-600 circuitry is -2V and the digital data are made to 00 for -2V, 24 for 0V.

4. Reproduction of CV in Memory --- 1 - LOAD or PLAY (with KCV ADD "off") - In this case, when D/A conversion is done after addition of 24, which is the same as subtracted before storing, to the data from RAM, the same original analog voltage can be reproduced after D/A conversion.



A/D and D/A CONVERSIONS(detail)

- 5. Reproduction of CV in Memory ----- 2
 - Transpose under PLAY mode, with KCV ADD "on" -

CSQ-600 has the function to have the notes in play mode transposed up or down by adding an external key voltage to the CV from memory: with a 2 volts key voltage added original notes are reproduced in the same pitch as they were; and 0V key added, the notes are downed by 2 octaves.

The key that delivers 2V KCV is designated as a reference key in this book.

For instance, when 0V is stored in cells, depressing a 0V key(the lowest key to be accommodated) will cause the CSQ-600 to output -2V. To furnish this the following must be true:

0V digital data stored in RAM (CVD2 = 00)
 + 0V KCV digital data (CVD3 = 24) = 00

To satisfy the above,

$$" CVD2 + CVD3 - 24 = \text{output data} "$$

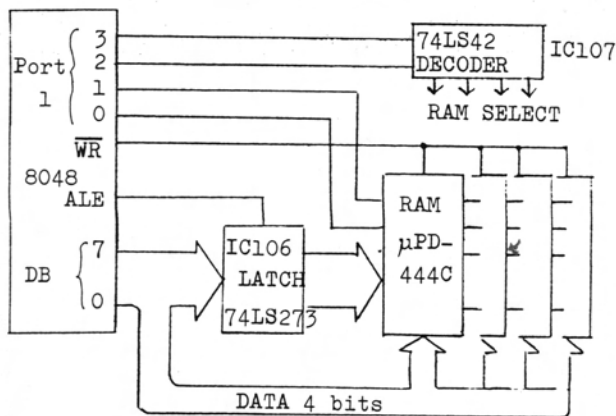
When MSB is first set on, the signal "1" is output to DB6. When D/A converted, the analog voltage (VDA) here must be 3.333V which, after shifted down by 41mV, becomes 3.292V (VDC). This time VDC goes to noninverting input of the comparator and is compared with CV IN. In the case shown in figure above, this CV is 5V, so CV IN > VDC bringing the comparator's output to L, to have DB6 remained as has been set to "1". Next, DB5 is set to "1". This time the digital data is the sum of DB6 and DB5, and the comparison becomes CV IN < VDC, to output H and to "reset" signal of TO and to have DB5 return to "0". This kind of comparison is repeated 7 times down to DBO (LSB). The sum of the digital data of the bits remained "unreset", then, is made to be the data of this CV IN, with which the CV IN is stored in the external RAM.

Although CV IN is in fact an analog voltage, it steps up or down like a staircase wave as the note changes. Therefore, if VDC is shifted down by an amount equal to about one-half of the voltage difference between adjacent keys (KCV resolution), a voltage fluctuation within the resolution of the comparator does not bring effect on the digital data, as shown in the circle in the figure above.

"reset" is repeated 7 times for bits from DB6 to DB0 and with the resultant value from such "set" and "reset", the digital data of the CV IN is produced.

From DB7, the GATE signals are also being output. They are held by the signal (the same as for S/H) to become output of GATE signal.

4. ADDRESSING EXTERNAL DATA MEMORY



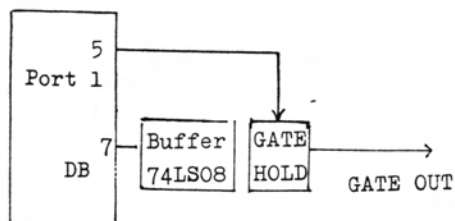
Although the data are 8-bit format, they are divided into two groups of 4-bits, upper and lower 4 bits, and are written/read into separately from external RAMs (μPD444C). Storage locations for PARTs are as follows. Every block consists of 256 bytes.

* μPD444 is a 1k-byte (1k-word by 4-bit) CMOS RAM organized as 256-byte x 4.
1k = 1024, 4096 bits

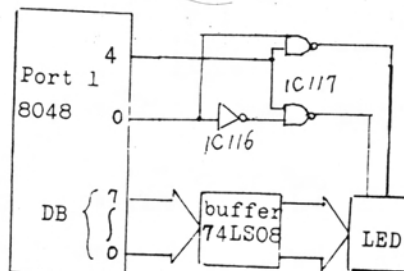
LOWER HALF		UPPER HALF	
IC102	IC103	IC104	IC105
PART 1	PART 3	PART 1	PART 3
PART 1	PART 3	PART 1	PART 3
PART 2	PART 4	PART 2	PART 4
PART 2	PART 4	PART 2	PART 4

Decoded signals from Port 1 nos. 2 and 3 select a RAM. Signals from Port 1 nos. 0 and 1 select a chip in the RAM. Address signals from DB, latched on IC106 by ALE, select memory cells in the chip. When WR goes low, the data are written into, and when high, read from the cells.

5. GATE HOLD



6. LIGHTING of LEDs

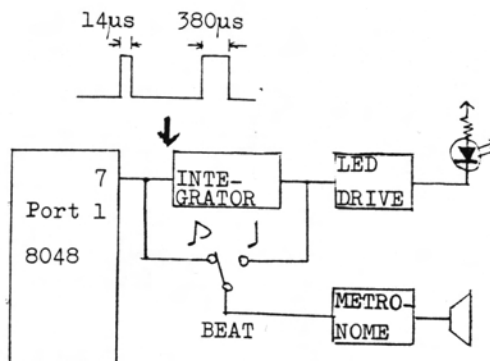


Signals for lighting LEDs (except TEMPO) are supplied from DB. However, various signals are transferred over DB lines at every instance, timing pulses are given from Port 1 nos. 0 and 4 to control the LEDs being driven when there are lighting signals.

The pulses are synchronized with those of TEMPO CLOCK GENERATOR and are output at a rate of one pulse for every eight CLOCK pulses. Because of this, lighting on/off cycling rate is also changed along with change in TEMPO, but the current amount to LED is still being kept unchanged through a means to maintain duty ratio constant.

7. METRONOME DRIVE

In LOAD mode, two pulses concurrent with TEMPO are being output (in period 480 times the CLOCK pulse, in pulse width 14μs and 380μs for alternate output). METRONOME amp is driven by both pulses but since the shorter pulses of 14μs are filtered out by the integration circuit before arriving at LED, the longer pulse of 380μs only is used for lighting the TEMPO LED.



CIRCUIT DESCRIPTION

This description is composed of two parts: the General description which outlines the functions of CSQ-600, and the Details which centers around A/D and D/A converters since these are practically the heart of this unit. Complete understanding of A/D and D/A conversion circuits will be a great help in performing adjustments in Section II. Also described in Details are functions of SYNC LOAD and RHYTHM SYNC circuits.

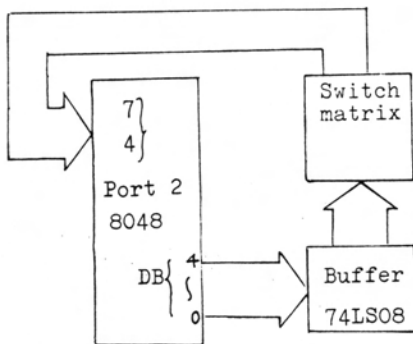
Function of "One chip computer"
 μ PD8048

CSQ-600 performs its functions with μ PD-8048 at the center position for all, including the following in its performance cycles:

1. Switch Scanning
2. D/A Conversion
3. A/D Conversion
4. Write/Read of Data to or from External RAM
5. Timing for Lighting LED Indicator
6. Triggering of METRONOME
7. Holding of GATE OUT

GENERAL

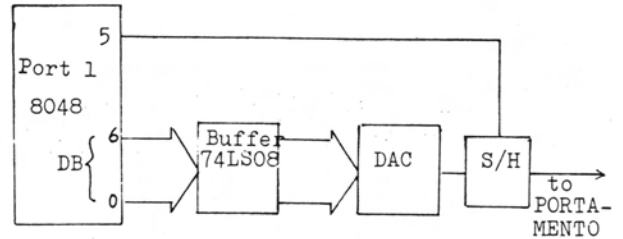
1. SWITCH SCANNING



μ PD8048 starts its running cycles beginning with switch scanning. Into DB0-DB4 (data bus) of 8048, 5-bit signals are being output in accordance with the resident program, which are then brought to the switch matrix via the buffer. At first, L is output from DB4 while having H from other DB0 to DB3. At the next instant DB3 becomes L while DB4 to H; and still next L on DB2 and so on, repeating such output changes 5 times on these bit signal combinations. Depending on which key is depressed or in what position the switches

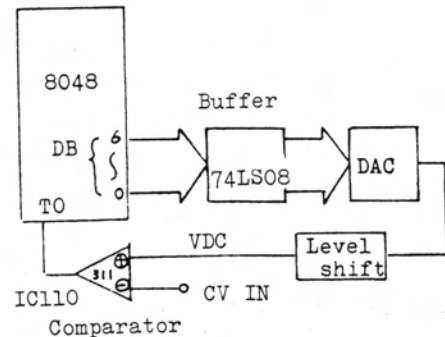
are, corresponding signals are fed back through 4-7 on Port 2.

2. D/A CONVERSION - Digital to Analog -



The D/A Converter transforms the sequential data (switch scanning, RAM address, CVs, etc.), which are being output from the 8048 through internal programming, into analog voltages. Since the D/A converter (DAC) employed here is a summing type, with a weight-resistor-tree connected to an inverting input of an op amp, each bit in the digital data is converted to an analog voltage in value to double the one immediately subordinate to each. When CV data are on output, pulses synchronized with CV data are supplied from no.5 of port 1 to the Sample and Hold (S/H) circuit, and the analog CV voltage corresponds to the data are held on C121.

3. A/D CONVERSION - Analog to Digital -



Since the CV IN is an analog voltage, it must be converted to digital data for making the storing in RAM possible.

The method employed in the CSQ-600 is called "successive approximation conversion" where each bit, from DB6 (for MSB: most significant bit) to DB0 (LSB: least significant bit), is being set successively to output "1" which, after being D/A converted, is to be compared with CV IN at the comparator (311).

The comparator will then output "0" (low) if $CV > VDC$, or "1" (high) if $CV < VDC$, onto TO. When H is output to TO, the corresponding digital data is "reset" and becomes 0. Such "set" and

RHYTHM SYNC

- CLOCK PULSE -

In CSQ-600, tempo (duration of a beat) for BEAT is designed equal to that of 120 clocks of the tempo oscillator. CPU 8048 divides tempo oscillator's output by 8 in frequency - $960/8 = 120$.

The output of the oscillator is also divided by 40 in IC128 to create tempo of 24 clocks to be used for CLOCK OUT through DIN socket, 24 clocks per ~~beat~~. This output is further divided by 2 in IC125 to provide tempo for BEAT consisting of 12 clocks, TEMPO CLOCK for CR78.

- START & STOP PULSES -

Rhythm unit, when connects and works with CSQ-600, starts and stops in synchronous with the switchings of LOAD/PLAY and STOP/RESET on the sequencer.

Either $\frac{1}{2}$ IC122 senses LED drive signal (LOAD or PLAY) and latches it which is sent to NOR gate IC127.

Upon receiving one of latched signals, IC127 output switches to low and stays low during PLAY or LOAD mode. For starting and stopping CR78 rhythm the high output (inverted) from Q152 is differentiated at its rising and falling edges; resulting pulses are then ORed and inverted respectively to become distinct positive going pulses. CR78 will run and stop only when positive going pulse is applied to its START/STOP jack.

* Output from pin 3 of Timer IC123 signals Clock dividers to keep clock pulses low for 5-10ms after PLAY or LOAD is pressed.

LOAD
STCP

IC121 pin
OUT Q

IC121 pin
(IC124 C
OUT Q

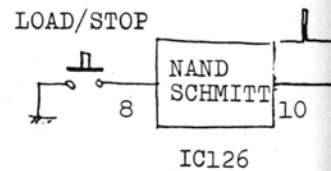
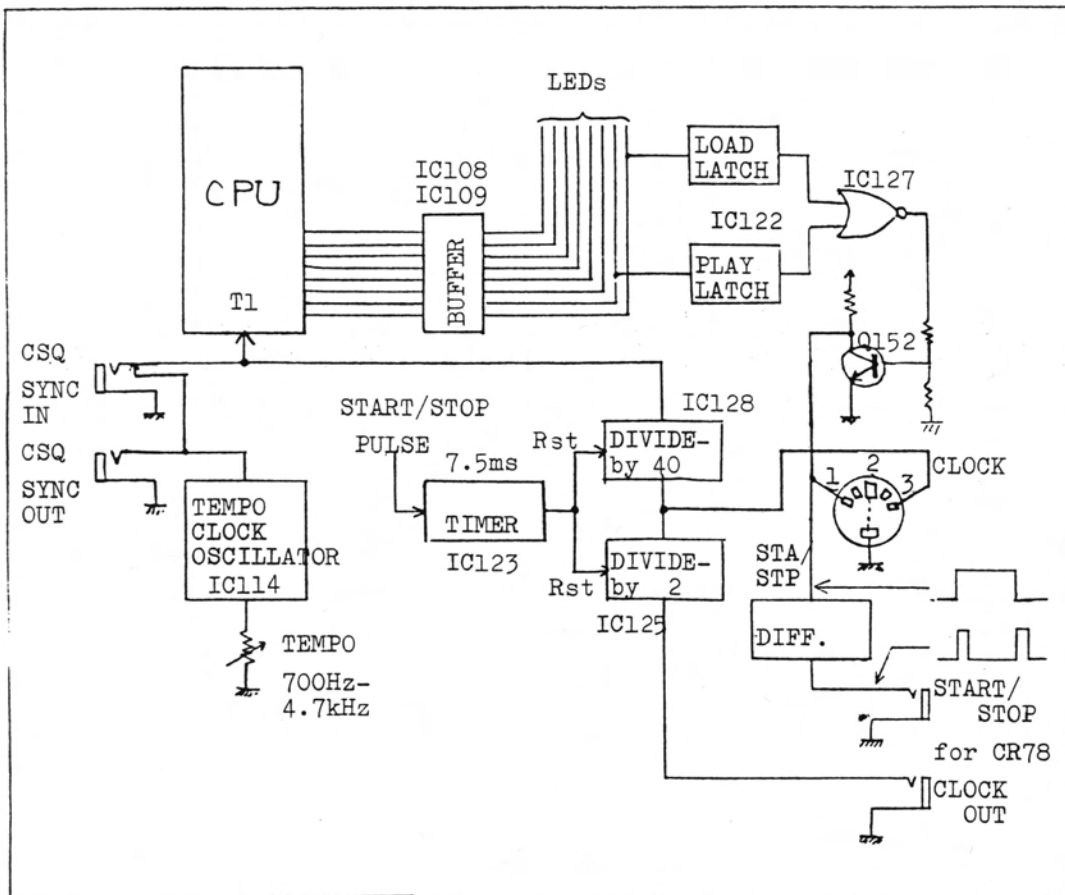
IC122 pin
OUT Q

IC124 pin
CE IN

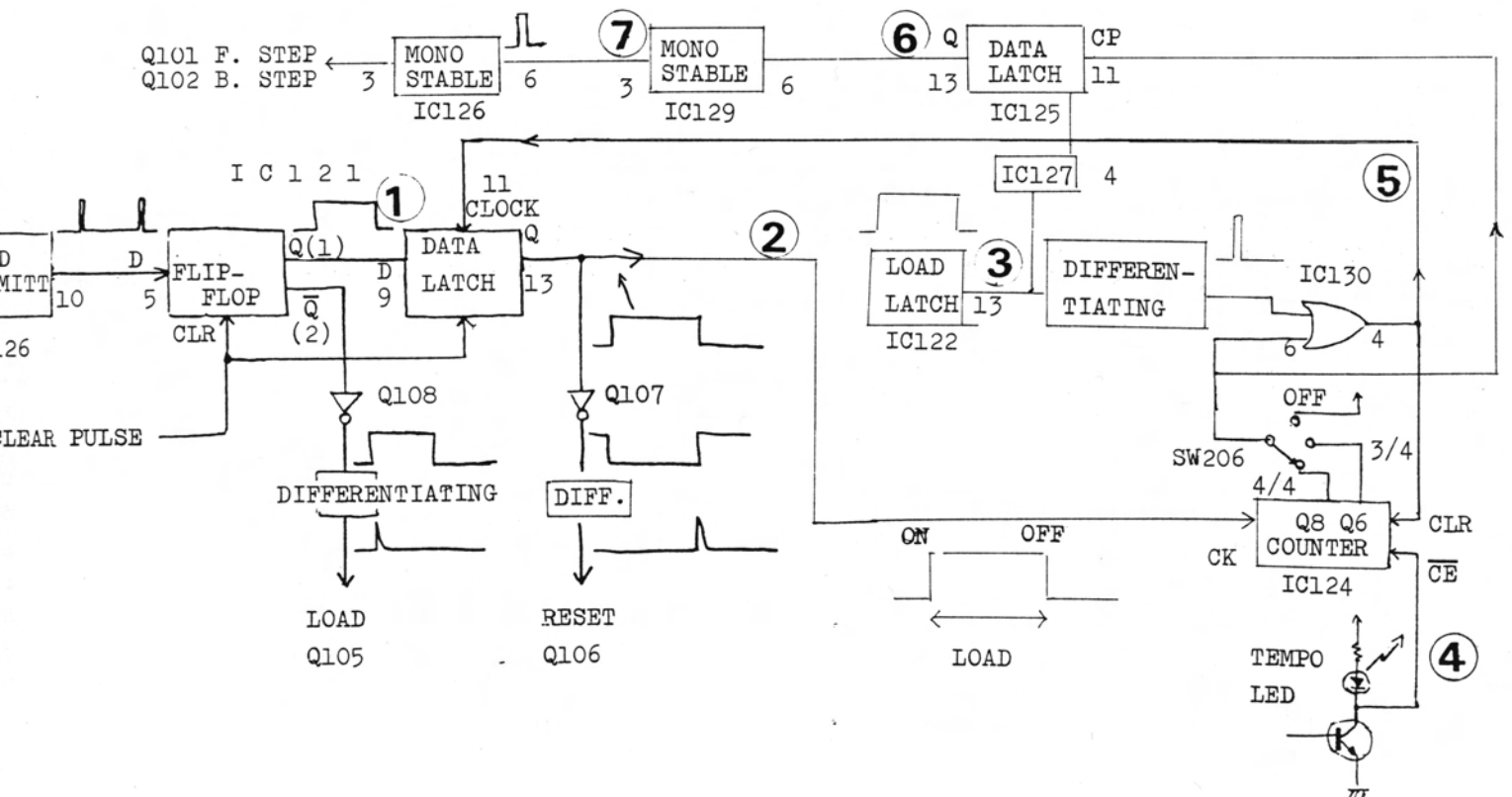
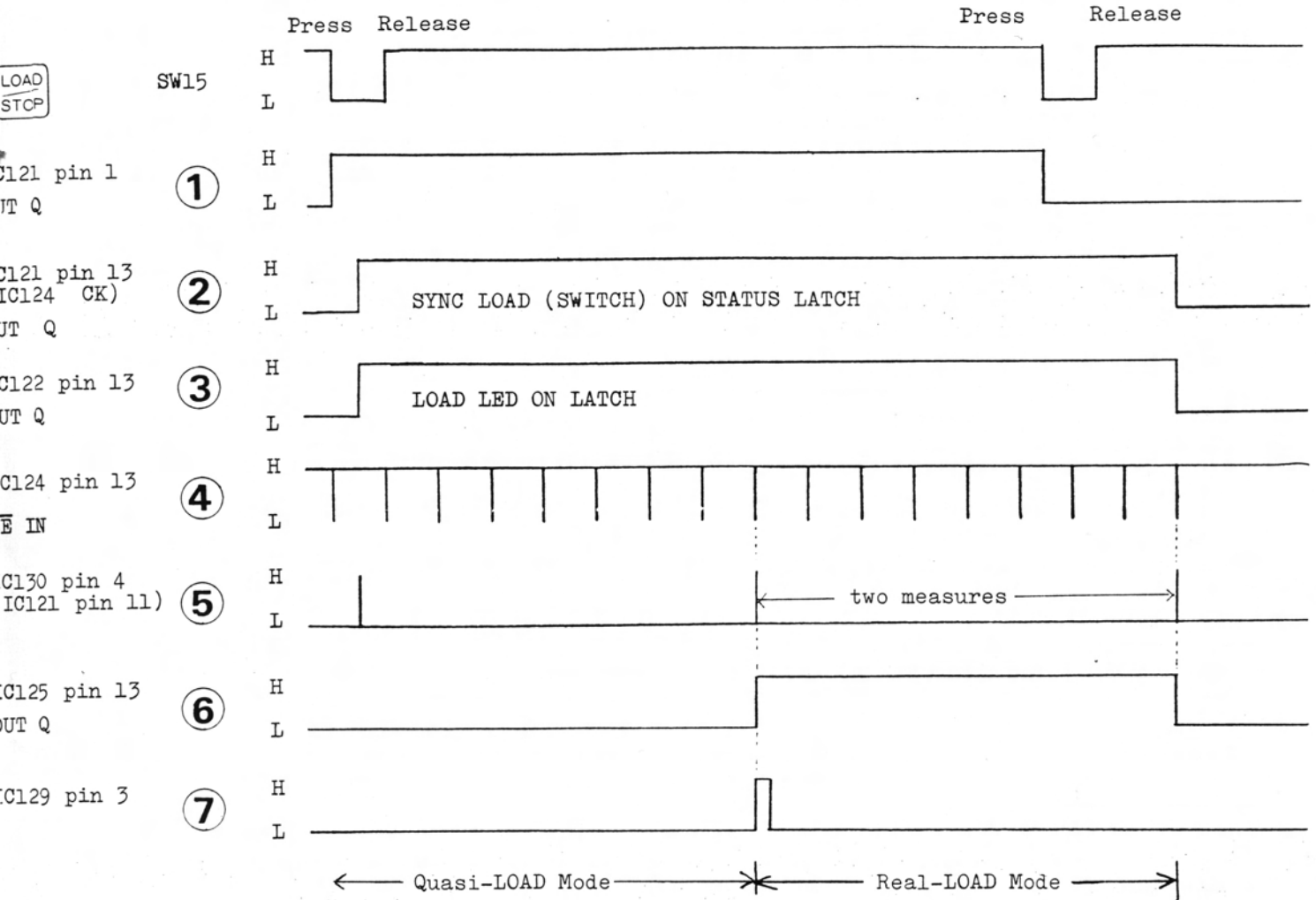
IC130 pin
(IC121 pi

IC125 pin
OUT Q

IC129 pin



CLEAR PUL



WHEN DATA IS INCORRECT, ERROR WILL BE
PRODUCED on CV OUT With KCV ADD "ON"

Taking for instance the case of each having CV IN 1V converted into digital 35 (B and C, table right) in place of 36, we will explain as follows:

NOTE: Figures in top row refer to those in illustration at left on opposite page.

	MODE	2	3		4, 5'	6	7
		CVD1	subtraction	CVD2	addition	D/A INPUT	CV OUT
A	LOAD (normal)	36	24	12	24	36	1V
B	KCV ADD "off"	35	24	11	24	35	1V
C	KCV ADD "on"	35	24	11	*(CVD-24) 47-24=23	34	0.9167V

* This is when the 2V key is depressed so as to have the same pitch on CV OUT with CV IN in memory

Case B is when VR106 is adjusted to reproduce CV OUT of 1V even if in earlier stage the digital data lacks by 1.

In this case, since the numbers in previous subtraction, and subsequent addition are both the same (24), the analog amount at the output receives no effect to differ after A-D-A conversions.

In C, however, despite the fact that the KCV (being pressed) is converted to digital data number short of 1, it is added to RAM-stored-data after subtracting 24. As a result there

is a double shortage, bringing after all the shortage by 2 before D/A conversion prior to CV OUT. Through this D/A once again, 1 out of these 2 can be compensated for by VR106, but there is still remained of 1, which brings lack in pitch of a semitone ("1" in digital data) on tone reproduction.

Thus, a maladjustment of VR106 produces a deviation on reproduction when played with KCV ADD "on". Or, it can be said conversely that, through finding such deviation on analog voltage, it is possible to check digital data errors.

WIDTH ADJUSTMENT with VR107

This potentiometer VR107 is for use to correct the gain of IC112 so as to have D/A in proper relation of 1V/oct, that is, when the data changes by 1, CV OUT changes by 83.3mV. When VR107 is required for readjustment, it may also be necessary to readjust VR106, since

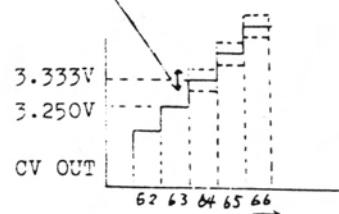
turning either VR results in interaction between the adjustments. Therefore, both VRs need to be adjusted in turn. Also care must be exercised to avoid an excessive turn of the VRs which will bring difficulties in performing these adjustments.

D/A ADJUSTMENT with VR104

This potentiometer is for the gain adjustment of the D/A converter, and it is in particular for DB6. This DB6 is for the data weighing the most significant bit, so its adjustment is the most critical one and warrants the careful attention. Sources of fluctuation and deviation such as those coming from the preceding stage of IC118, IC119, on impedance or on output voltage, and resistance variation in resistor, etc. are to be compensated for by this VR104.

Since the digital data that makes DB6 active is in number over 64 or 3.333V in CV, fluctuation brought through DB6 data will effect all CV of higher voltages as shown in the figure. In practice, it will be best to adjust VR104 as follows:
set the LOAD mode and complete both CV ADJ and WIDTH ADJ, then, holding down the key for 4V. Set VR104 so that CV OUT equals 4.000V.

Deviation in this step will be carried through the upper steps.



In LOAD mode and with the converter that is correctly adjusted, suppose that we turn VR106 (CV ADJ) slowly clockwise while holding 1V key depressed on the keyboard. Then you can observe VDA (i. e. CV OUT) increases gradually, and likewise VDC (VDA - 41.7mV) ascends along the dotted area as shown in Fig. 3. That is to say, although the digital data is unchanged, the voltage for that data is increased. But, still kept on turning VR106 to have VDC overcome 1V line for the digital data 36 as shown in Fig. 4, it causes the output of the comparator to be turned to "H" and the digital data re-written to 35.

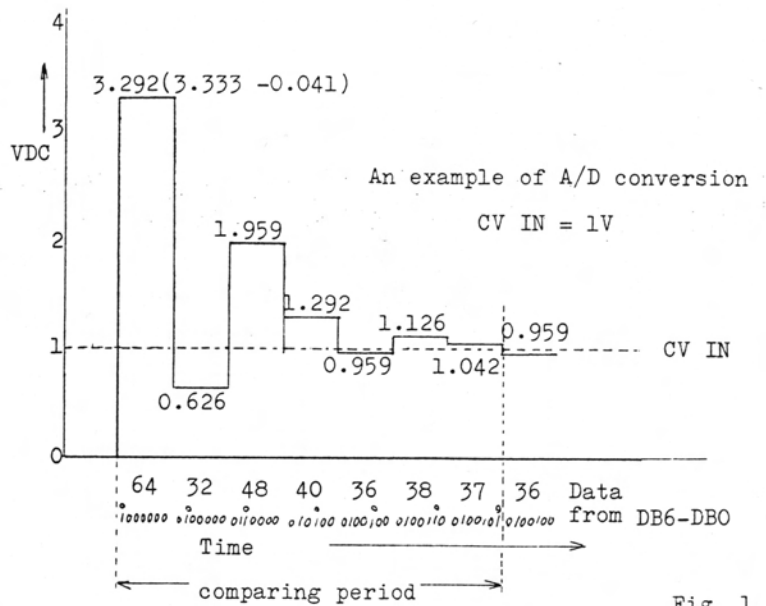


Fig. 1

Figure 5 shows that state as being adjusted by turning VR106 clockwise to have CV OUT again to 1.000V.

Still turning VR106 further will repeat the same as above and to rewrite to 34.

But, when turned counterclockwise, the data will be rewritten to a larger number each time.

When watching this on a digital voltmeter connected for observation, the display will be as illustrated in Fig. 2.

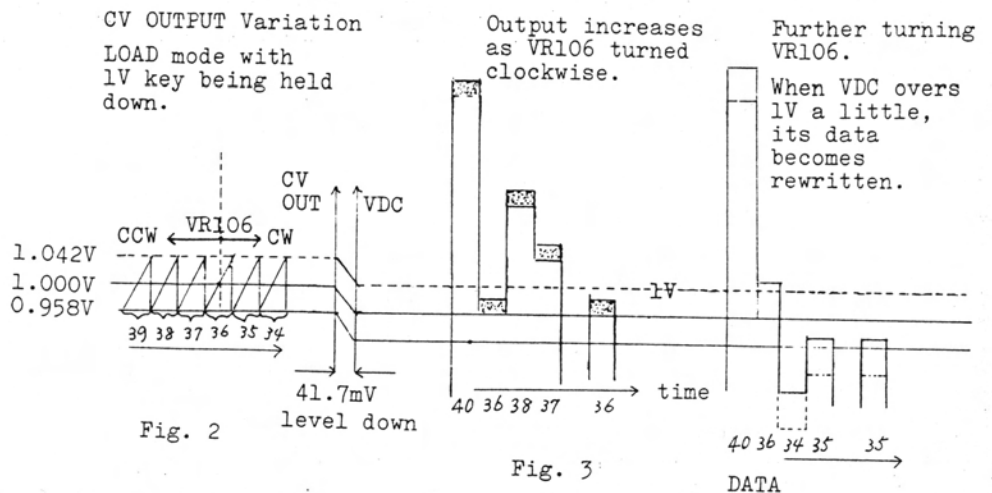


Fig. 2

Fig. 3

Fig. 4

Now, suppose that we have turned VR106 a little too far to have the digital data 35 for CV IN of 1V (as in Fig.5). It is all right and causes no problem as long as we have KCV ADD turned off, because under these circumstances, any shortage or excess of voltage could be compensated for by biasing through this CV ADJ potentiometer.

But, once we have turned KCV ADD on, the whole matter would become different, to be explained in the next paragraph.

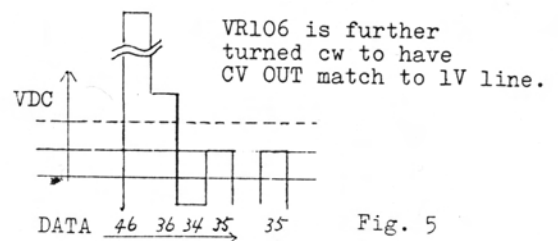
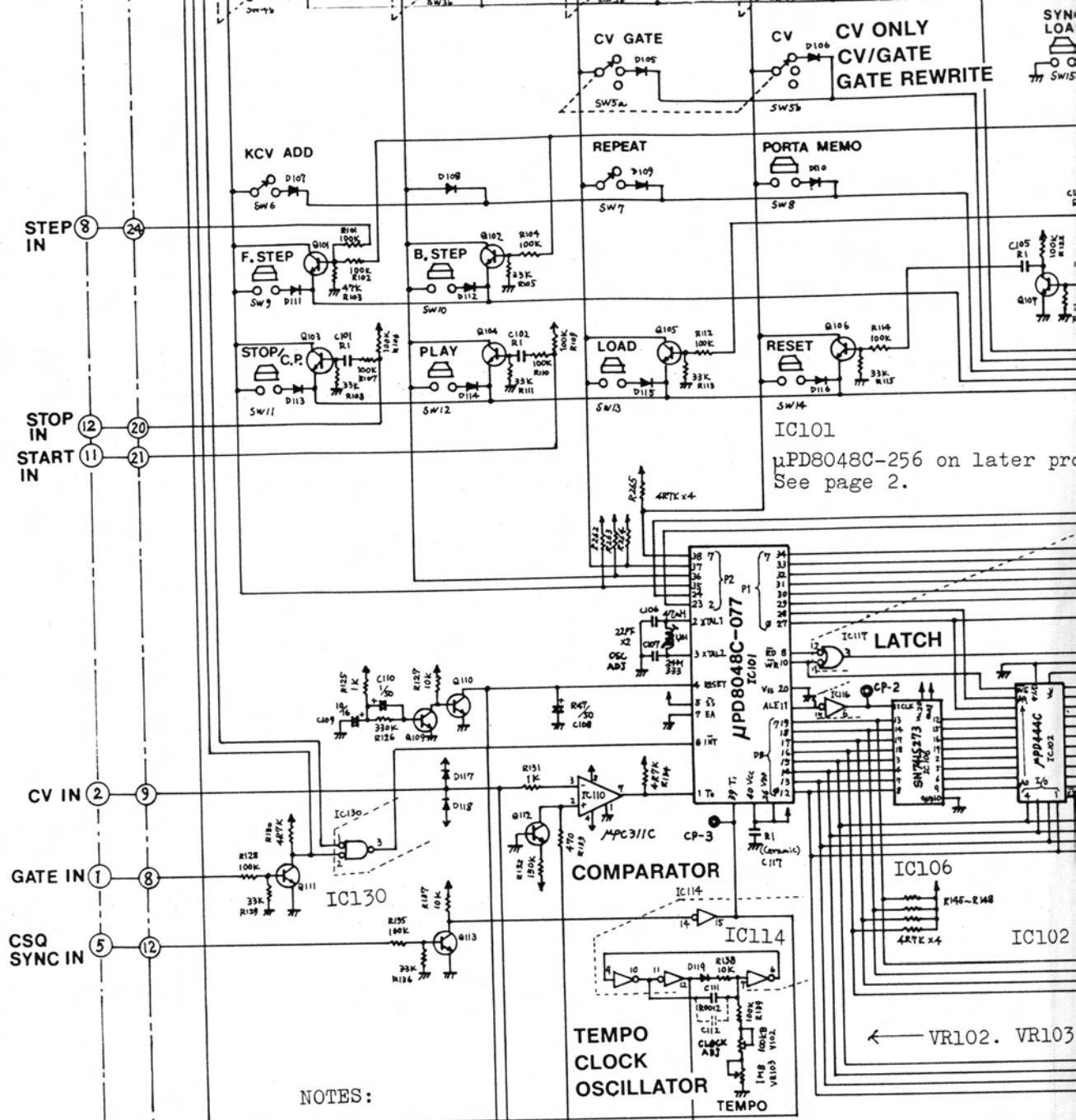


Fig. 5

E
F
G
H
I
J
K
L
M
N
O
P
Q
R
S
T
U
V
W
X
Y



NOTES:

The equivalent of IC listing below will be a replacement. In some cases, however, corresponding component change may be involved to compensate characteristic variations. The followings are made at factory to enable ICs of different makes to be adopted.

IC120 --- R270 1M, R271 10K, D144 Added
C133 0.047 Removed

IC118, 119 --- R168-174 changed from 3.9K to 3.3K

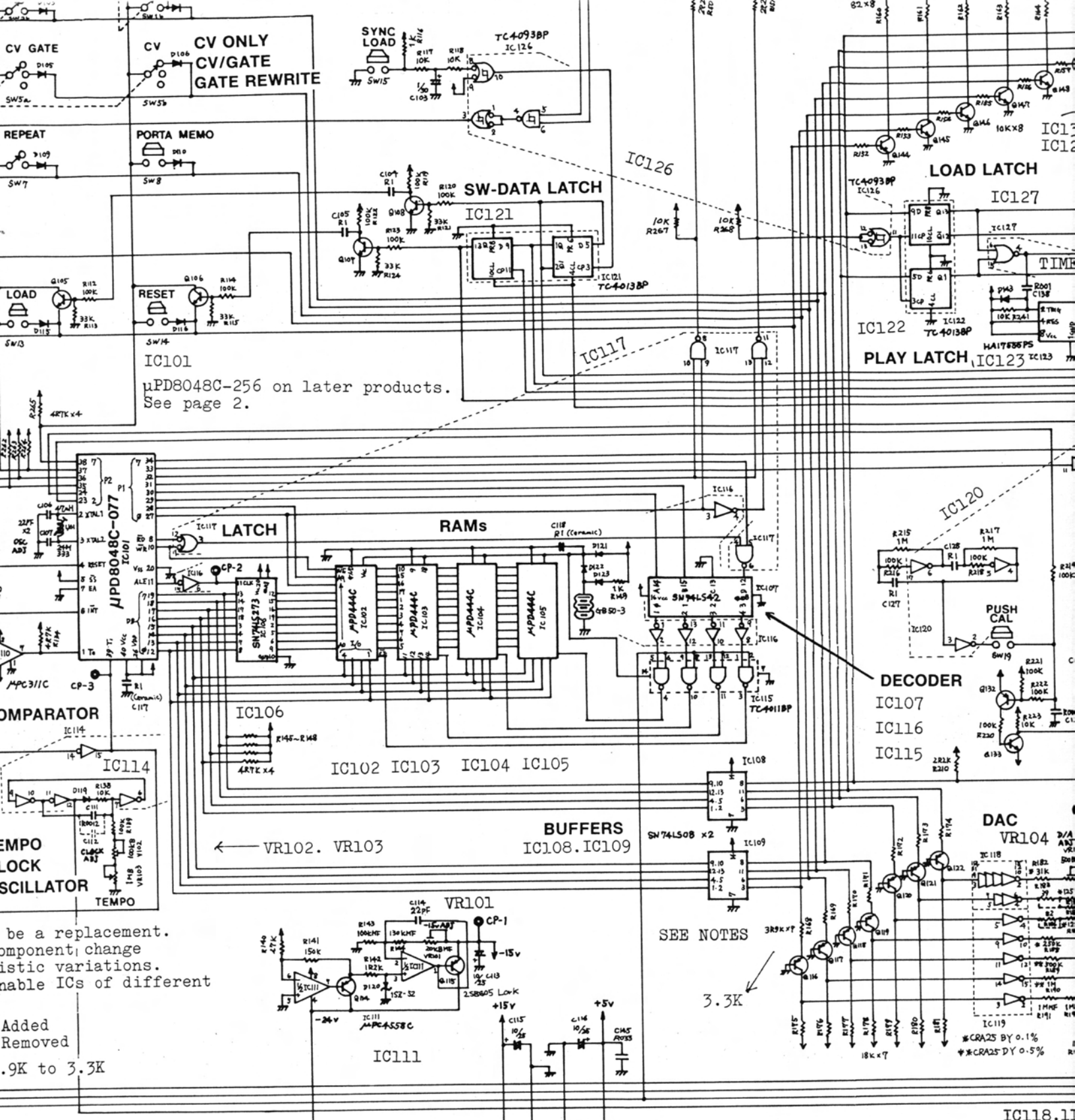
IC113 ---
R266 is 4.7K when TL081CP is stationed.

- IC121, 122: TC4013BP
- IC125: TC4013BP
- IC126: TC4093BP
- IC127: TC4001BP
- IC130: TC4071BP
- IC131: TC4025BP
- IC129: TC4001BP
- Pin 7: VSS (ground)
- Pin 14: VDD (+5V)
- IC118, 119: TC4049BP (see NOTES above)
- Pin 1: VDD (ground)
- Pin 8: VSS (-15V)
- IC114, 120: TC4049BP
- Pin 1: VDD (+5V)
- Pin 8: VSS (GND)
- IC116: SN74LS04
- Pin 7: GND
- IC117: SN74LS00
- Pin 14: VCC (+5V)

IC101
μPD8048C-256 on later pro
See page 2.

← VR102. VR103

17
-24v



μPD8048C-256 on later products.
See page 2.

be a replacement.
component; change
istic variations.
nable ICs of different

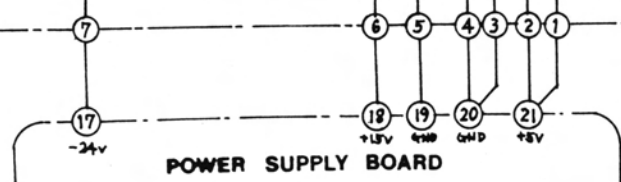
Added
Removed
.9K to 3.3K

SEE NOTES

3.3K

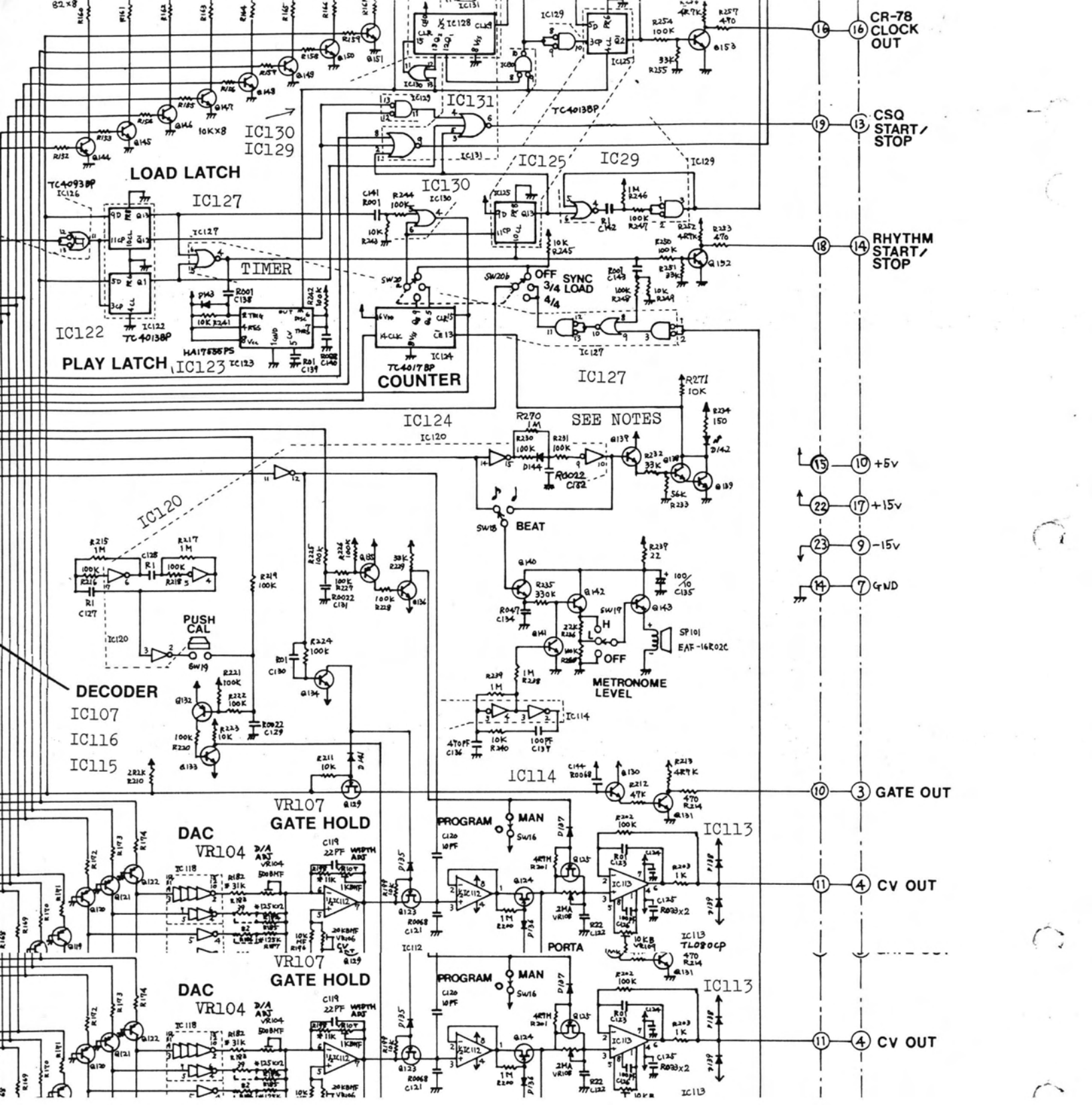
Pin 8: VSS (-15V)
Pin 8: VSS (GND)

Pin 7 : GND
Pin 14: VCC (+5V)



POWER SUPPLY BOARD

- D124-126 : TLG124
- D127, 129-134 : TLR124
- D120 : 1S2-52
- D101-119, 121-123 : 1S2473
- D135-143 : 1S2473
- FETs : 2SK117GR



LOAD LATCH

TIMER

PLAY LATCH

COUNTER

DECODER

DAC

GATE HOLD

DAC

GATE HOLD

BEAT

METRONOME LEVEL

PROGRAM MAN

PROGRAM MAN

PORTA

TLOBOCP

CR-78
CLOCK
OUT

CSQ
START/
STOP

RHYTHM
START/
STOP

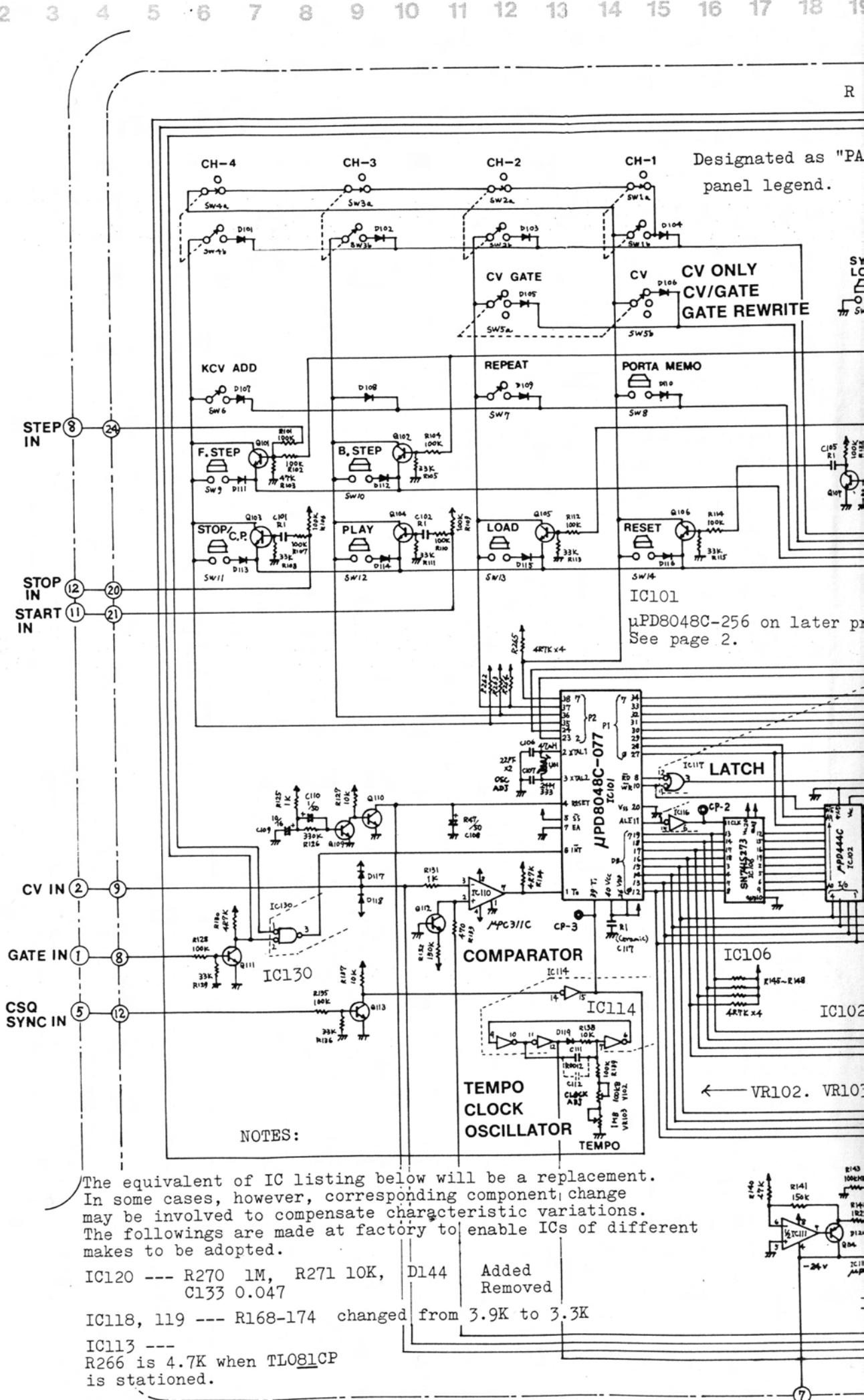
15 10 +5V
22 17 +15V
23 9 -15V
14 7 GND

GATE OUT

CV OUT

CV OUT

1
A
B
C
D
E
F
G
H
I
J
K
L
M
N
O
P
Q
R
S
T
U
V



Designated as "PA panel legend."

IC101
µPD8048C-256 on later panel
See page 2.

NOTES:

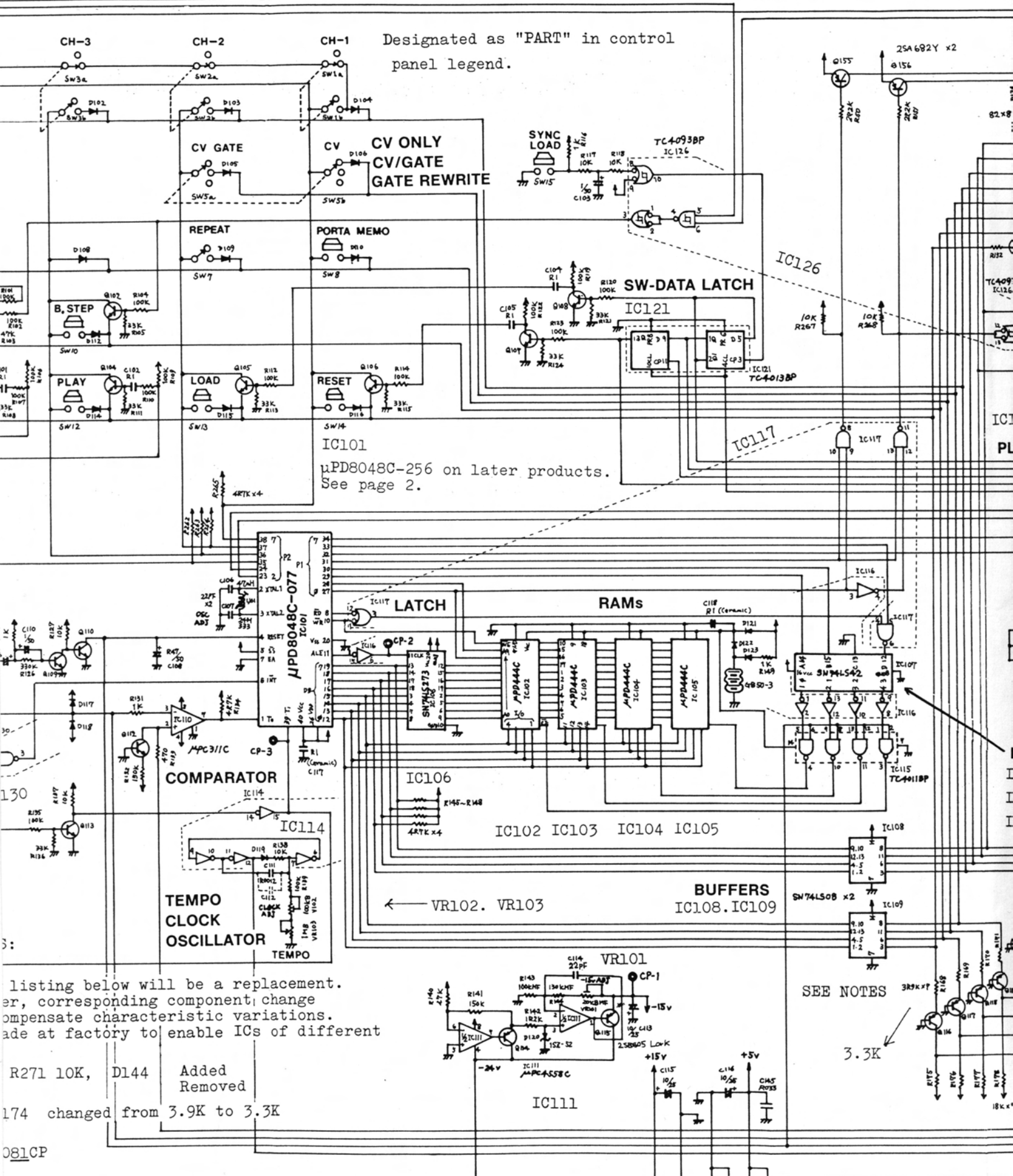
The equivalent of IC listing below will be a replacement. In some cases, however, corresponding component change may be involved to compensate characteristic variations. The followings are made at factory to enable ICs of different makes to be adopted.

IC120 --- R270 1M, R271 10K, D144 Added
C133 0.047 Removed

IC118, 119 --- R168-174 changed from 3.9K to 3.3K

IC113 ---
R266 is 4.7K when TLO81CP is stationed.

R in the R and C value notations refers to Radix (de



Designated as "PART" in control panel legend.

IC101
μPD8048C-256 on later products.
See page 2.

listing below will be a replacement. er, corresponding component, change compensate characteristic variations. ade at factory to enable ICs of different

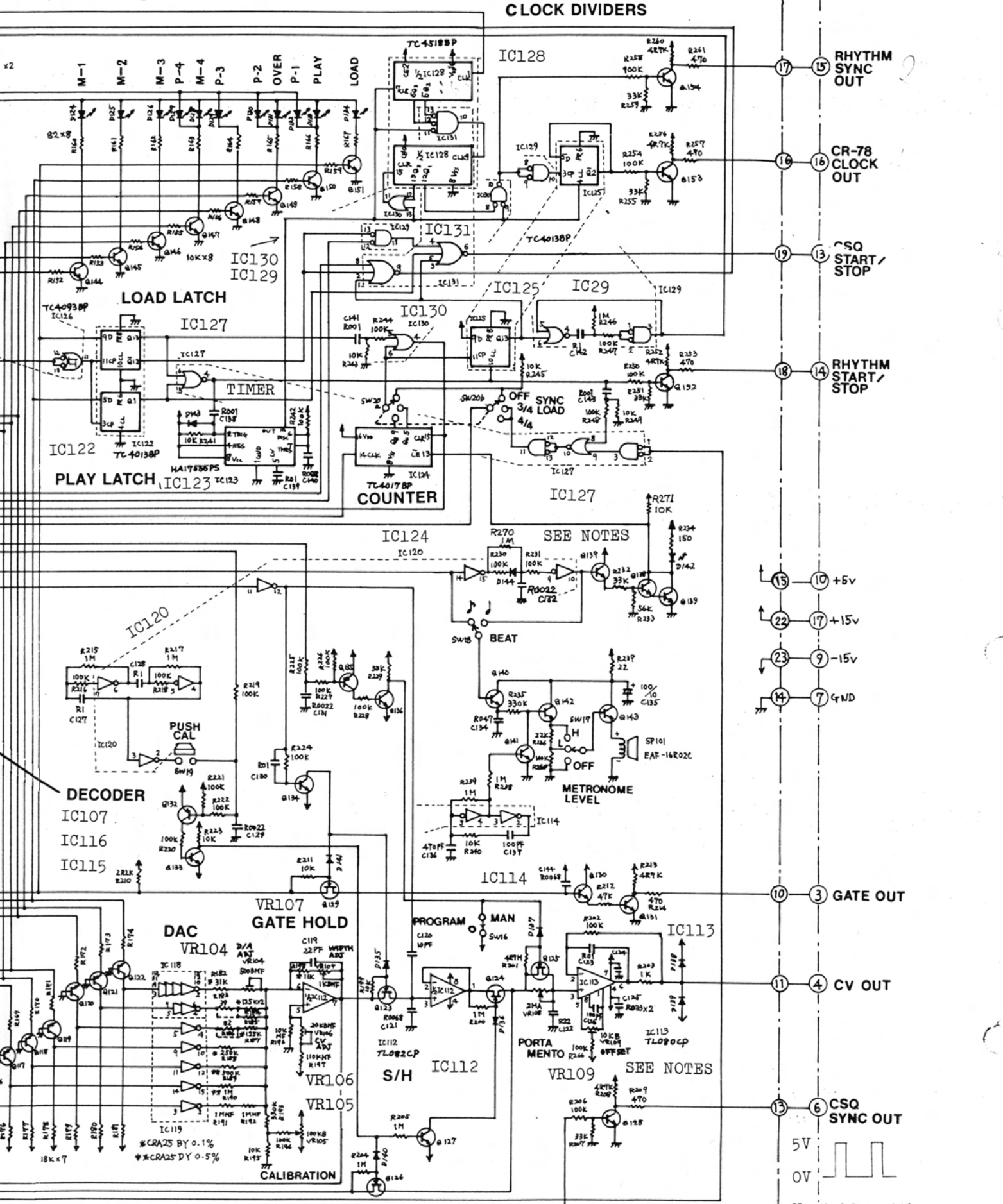
R271 10K, D144 Added Removed
174 changed from 3.9K to 3.3K
081CP

SEE NOTES

3.3K


28 29 30 31 32 33 34 35 36 37 38 39 40 41 42 43 44 45 46 47 48

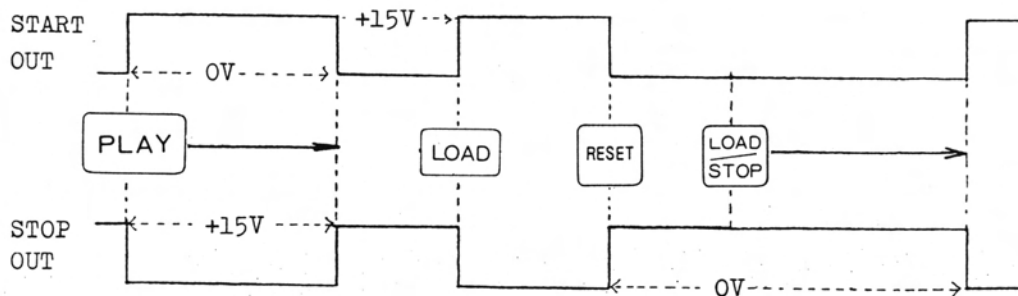
adix (decimal) point.



Variable with

TEST ON EXT CONTROL OUTS

Connect an oscilloscope to EXT CONTROL OUT jacks. Load notes over few measures. Set: PLAY mode to ONE TIME; METRONOME BEAT to ; SYNC LOAD RHYTHM to 4/4.



SYNC LOAD

Refer to the diagram and the waveforms on the facing page

Since this function seems very intricate to understand, first read through, skipping the sentences headed with *, for clarification.

Assuming that LOAD/STOP is first pressed after power is on with RHYTHM (SW206) set in 4/4.

1. NAND SCHMITT trigger, IC126 develops positive going pulse on pin 10.

* This circuit eliminates LOAD/STOP switch contact chattering.

2. Upon receiving this pulse, T-type flipflop $\frac{1}{2}$ IC121 Q (pin 1) switches to high and \bar{Q} (pin 2) to low which, after inverted in Q108 and differentiated, conducts Q105 with its rising edge, duplicating the LOAD (SW13) "on".

Although LOAD LED goes on and stays on, the status may be called Quasi-LOAD mode since inhibit signal is fed to \bar{INT} terminal on CPU from IC131 pin 9 through IC130 pins 1-3. Any signals at CV and GATE IN terminals are ignored by the CPU.

* Three-input NOR gate IC131 pin 9 keeps the high inhibit signal as long as three inputs are low, retaining it for two measures - to the leading edge of (6), after LOAD/STOP button is pressed.

* Quasi-LOAD mode period allows the performer to set BEAT and TEMPO for the rhythm he times to before CSQ-600 proceeds to real-LOAD mode. Missing gate signals at the beginning of real-LOAD mode caused by inadvertent key play will result in "RESET" loadings.

3. The rest half of IC121 is used for latching LOAD/STOP switching data. High on D (pin 9) is latched with a signal (5) coming at pin 11 and Q (pin 13) goes high (2).

* The latched data remains unchanged until the

4. Decade counter IC124, when H (2) is placed on CK pin, increments the count at the falling edges of LED drive signal entering \bar{CE} pin at the BEAT rate. The positive going pulse is present on Q8 pin when counting reaches 8. The very first pulse on (4) is canceled because of the first counter clear pulse (5) is fed through IC130 pin (4) Q8 output is directed to:

A) IC125 CP (pin 11) to latch the data from IC127 pin 4 (PLAY or LOAD latch).

Positive-going edge of latched output (6) then triggers monostable IC129 which in turn outputs a pulse on pin 3 and sends it to IC126 pin 6. (6) also connects to 3-input NOR gate IC131 that turns pin 9 from high to low removing inhibit signal from \bar{INT} . CSQ-600 is now set in complete LOAD mode. Consequently, if signal is not fed through GATE IN, the signal on IC126 pin 6 is NANDed with that on pin 5, generating positive pulse from pin 3 to fire Q101 (F.STEP) and Q102 (B.STEP). Short-circuiting of both F.STEP and B.STEP signals CPU to recognize it as a RESET load.

B) CLR (pin 5) of counter itself through pin 4 of IC130 to reset. Counter reads LED drive pulses for the next two measures.

* Two measures is composed of eight (4) pulses when RHYTHM is set in 4/4, and is composed of six when set in 3/4.

* Q111 removes H on IC126 pin 5 when GATE IN is present on the input terminal (8).

RESET

Pressing LOAD/STOP button in progression of LOAD mode inverts the outputs on pins 1 and 2 of IC121, but latched high signal (2) is maintained until (5) is applied to pin 11 at the

SYNC LOAD

Refer to the diagram and the waveforms on the facing page

Since this function seems very intricate to understand, first read through, skipping the sentences headed with *, for clarification.

Assuming that LOAD/STOP is first pressed after power is on with RHYTHM (SW206) set in 4/4.

1. NAND SCHMITT trigger, IC126 develops positive going pulse on pin 10.

* This circuit eliminates LOAD/STOP switch contact chattering.

2. Upon receiving this pulse, T-type flipflop $\frac{1}{2}$ IC121 Q (pin 1) switches to high and \bar{Q} (pin 2) to low which, after inverted in Q108 and differentiated, conducts Q105 with its rising edge, duplicating the LOAD (SW13) "on".

Although LOAD LED goes on and stays on, the status may be called Quasi-LOAD mode since inhibit signal is fed to \overline{INT} terminal on CPU from IC131 pin 9 through IC130 pins 1-3. Any signals at CV and GATE IN terminals are ignored by the CPU.

* Three-input NOR gate IC131 pin 9 keeps the high inhibit signal as long as three inputs are low, retaining it for two measures - to the leading edge of (6), after LOAD/STOP button is pressed.

* Quasi-LOAD mode period allows the performer to set BEAT and TEMPO for the rhythm he times to before CSQ-600 proceeds to real-LOAD mode. Missing gate signals at the beginning of real-LOAD mode caused by inadvertent key play will result in "RESET" loadings.

3. The rest half of IC121 is used for latching LOAD/STOP switching data. High on D (pin 9) is latched with a signal (5) coming at pin 11 and Q (pin 13) goes high (2).

* The latched data remains unchanged until the next latch signal comes - once per two measures, even if LOAD/STOP is pressed again and Q (pin 1) turned to low.

* Two flip flops in IC121 are reset with clear pulse applied to CLR (pins 4, 10) - at power turning on and at the end of LOAD or PLAY mode, and are inactive when SW206 is set in LOAD OFF (pulled up to +B).

4. Decade counter IC124, when H (2) is placed on CK pin, increments the count at the falling edges of LED drive signal entering \overline{CE} pin at the BEAT rate. The positive going pulse is present on Q8 pin when counting reaches 8. The very first pulse on (4) is canceled because of the first counter clear pulse (5) is fed through IC130 pin (4). Q8 output is directed to:

A) IC125 CP (pin 11) to latch the data from IC127 pin 4 (PLAY or LOAD latch).

Positive-going edge of latched output (6) then triggers monostable IC129 which in turn outputs a pulse on pin 3 and sends it to IC126 pin 6. (6) also connects to 3-input NOR gate IC131 that turns pin 9 from high to low removing inhibit signal from \overline{INT} . CSQ-600 is now set in complete LOAD mode. Consequently, if signal is not fed through GATE IN, the signal on IC126 pin 6 is Nanded with that on pin 5, generating positive pulse from pin 3 to fire Q101 (F.STEP) and Q102 (B.STEP).

Short-circuiting of both F.STEP and B.STEP signals CPU to recognize it as a RESET load.

B) CLR (pin 5) of counter itself through pin 4 of IC130 to reset. Counter reads LED drive pulses for the next two measures.

* Two measures is composed of eight (4) pulses when RHYTHM is set in 4/4, and is composed of six when set in 3/4.

* Q111 removes H on IC126 pin 5 when GATE IN is present on the input terminal (8).

RESET

Pressing LOAD/STOP button in progression of LOAD mode inverts the outputs on pins 1 and 2 of IC121, but latched high signal (2) is maintained until (5) is applied to pin 11 at the end of the two measures. When (5) is received, L on pin 9 is latched and transferred over pin 13.

Inverted and differentiated pulse from negative going edge of (2) turns on Q106 parallel with RESET switch contacts.

With H voltage removed on CK terminal, counter IC124 becomes inactive and ceases increment.

PARTS LIST

PANEL

072H075 Panel H75 (top)
 066H021 Panel H21 (sides)
 set of R and L
 061H114 Chassis H114
 068-020 Bushing no.20 top
 111-021 Rubber foot G-5 rear
 111-023 Rubber foot G-7 front

SWITCH. KNOB

001-215 SDG5P001-1 power 100V
 001-216 SDG5P001-2 power 117V
 001-217 SDG5P502 power 220/240V
 001-268 SLE-622-18PS lever
 001-201 SLE-623-18PS lever
 001-182 SSB-02242-12PN slide
 001-183 SSB-02335-12PN slide
 001-276 SCK41167 key
 001-275 SCK41168 key
 016-004 Knob no.4 PORTAMENTO
 016-103 Knob no.103 TEMPO
 016-009 Button no.9 black
 power switch

SOCKET

13429604 DIN connector TCS0250
 009-012 Jack SG7622 no.8 mono
 068-018 Bushing no.18 red
 068-005 Bushing no.5 black
 121-005 Washer no.5
 012-043 ICC030-040-350T IC

TRANSFORMER. COIL

022H024J PT-H24J 100V
 022H024C-A PT-H24C-A 117V

SEMICONDUCTOR

LSI
 1517910177 μ PD8048C-077 or 8-bit
 15179113 μ PD8048C-256 micro-
 computer
 15179305 μ PD444C RAM
 IC
 020-203 SN74LS00N
 15169304 SN74LS04N
 020-204 SN74LS273N
 15169310 SN74LS42N
 020-120 SN74LS08N
 020-051 TC4001BP
 020-040 TC4011BP
 020-041 TC4013BP
 020-075 TC4049BP
 15159122T0 TC4017BP
 020-093 TC4025BP
 15159123T0 TC4071BP
 15159124T0 TC4093BP
 15159302T0 TC4518BP
 020-199 μ PC311C
 020-100 TL082CP
 020-200 TL080CP
 020-097 μ PC4558C
 020-205 μ PC14305 +5V regulator
 020-206 μ PC78L15 +15V regulator
 15219109H0 HA17555PS or NE555P

CMOS IC COMPATIBILITY

Most equivalents might be replacement for the existing one and IC of different manufacturers may be found in different CSQ-600s. However, in some cases, corresponding components' value changes may be involved upon replacing for the best performance, e.g. IC118, IC119 - see circuit diagram.

POTENTIOMETER

029-577 EVALOPC15A26 slide PORTAMENTO
 030-951 EVHLWAD25B15(L) CALIBRATION
 028-766 VM1ORK20B16(L) TEMPO
 030-465 SR19R 10KB trimmer
 030-471 SR19R 100KB trimmer
 030-644 RJ-6P 500B trimmer
 030-645 RJ-6P 1KB trimmer
 030-646 RJ-6P 50KB trimmer
 (L): Right angle terminals

RESISTOR

044-927 CRA $\frac{1}{2}$ BY 11K 0.1% 50PPM
 044-932 CRA $\frac{1}{2}$ BY 31K 0.1% 50PPM
 044-929 CRA $\frac{1}{2}$ BY 125K 0.1% 50PPM
 044-930 CRA $\frac{1}{2}$ BY 250K 0.1% 50PPM
 044-972 CRA $\frac{1}{2}$ DY 500K 0.5% 50PPM
 044-973 CRA $\frac{1}{2}$ DY 1M 0.5% 50PPM
 044-838 CRB $\frac{1}{2}$ FX 10K 1%
 044-846 CRB $\frac{1}{2}$ FX 100K 1%
 044-860 CRA $\frac{1}{2}$ FX 1M 1%

CAPACITOR

037-035 Ceramic 0.1 μ F $^{+80}_{-20}$ % 12V disc

TERMINAL. WIRINGS

010-193 Terminal 5046-03A
 010-197 Terminal 5046-07A
 010-200 Terminal 5046-10A
 042-032 TT 501-D01 power cord
 053H103 Wiring assy A
 053H104 Wiring assy B
 053H105 Wiring assy C

018-009 Button no.3 black power switch

020-208 MICREL 1.2V regulator 15219109HO HA17555PS or NB555P

037-035 Ceramic 0.1µF^{+80%}_{-20%} 12V disc

SOCKET

13429604 DIN connector TCS0250
009-012 Jack SG7622 no.8 mono
068-018 Bushing no.18 red
068-005 Bushing no.5 black
121-005 Washer no.5
012-043 ICC030-040-350T IC

TRANSFORMER. COIL

022H024J PT-H24J 100V
022H024C-A PT-H24C-A 117V
022H024D PT-H24D 220/240V
022-136 Coil 24M-067-033 47µH

FUSE. FUSE HOLDER

008-040 MGP 0.500 CSA prim. 117V
008-061 SEMKO T315mA prim. 220/240V
008-056 SEMKO T100mA sec.
008-066 SEMKO T1A sec.
012-003 Fuse clip TF758

CIRCUIT BOARD ASSY

149H114B OPH114B (marking 052H229B)
149H115B OPH115B (marking 052H258B)
146H039A PSH39A (marking 052H172A) 100V
146H040A PSH40A (marking 052H172A) 117V
146H041A PSH41A (052H172A) 220/240V

CMOS IC COMPATIBILITY

Most equivalents might be replacement for the existing one and IC of different manufacturers may be found in different CSQ-600s. However, in some cases, corresponding components' value changes may be involved upon replacing for the best performance, e.g. IC118, IC119 - see circuit diagram.

Diode

018-014 1S2473
15019624 1SZ52 zener
018-089 1B4B41 rectifier stack
15019243 1B4B1 rectifier stack

LED

019-028 TLR-124 red
019-029 TLG-124 green
019-009 LR0601R red

Transistor

017-016 2SC1815-GR
017-024 2SA733-P
017-034 2SA682-Y
15119601 2SB605-L
15139106 2SK117-GR FET
(017-103)

TERMINAL. WIRINGS

010-193 Terminal 5046-03A
010-197 Terminal 5046-07A
010-200 Terminal 5046-10A
042-032 TT 501-D01 power cord
053H103 Wiring assy A
053H104 Wiring assy B
053H105 Wiring assy C
053H106 Wiring assy D
042-039 Check point 59BS8806

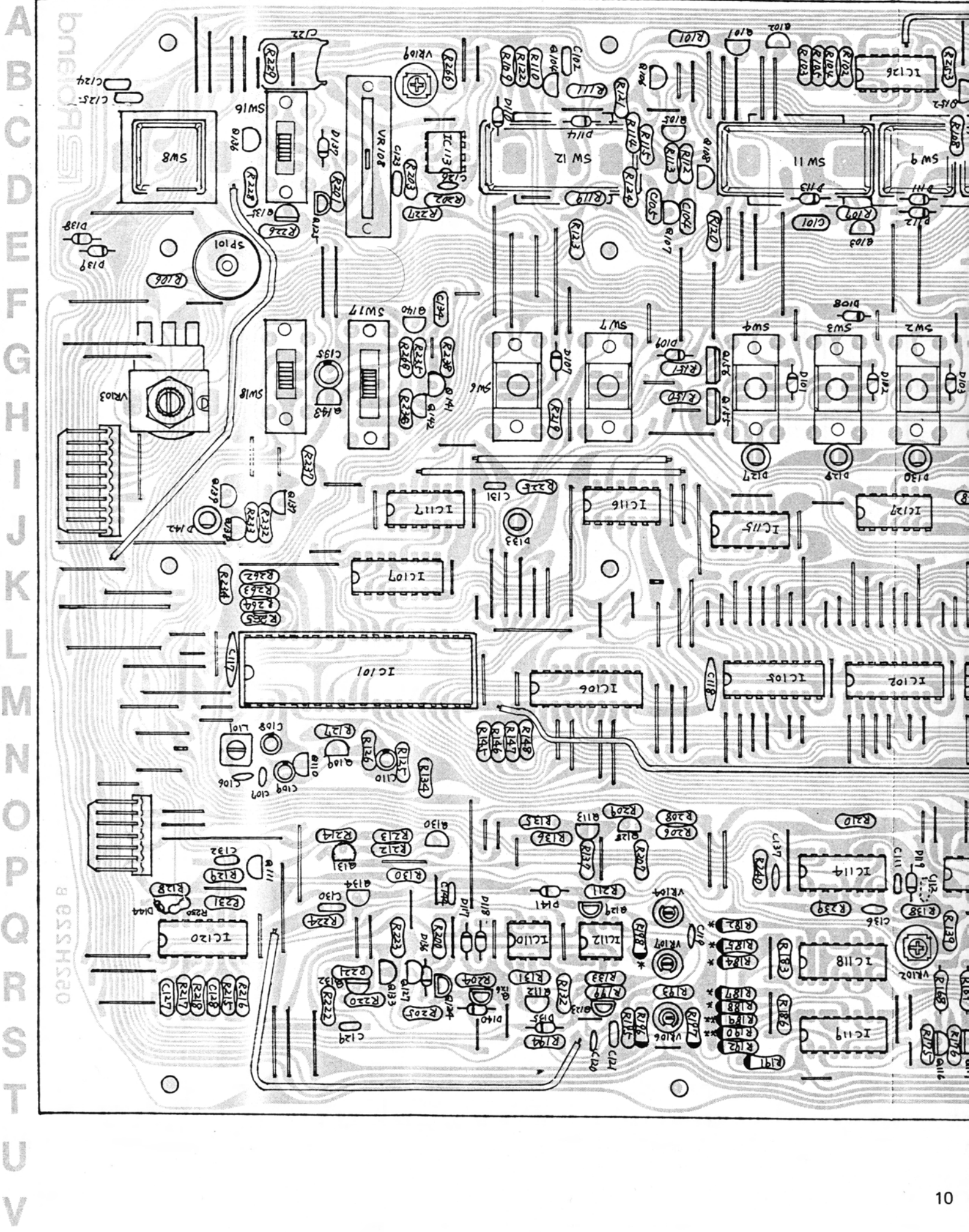
OTHERS

048H017 Heat sink H17
120-001 Long nut no.1 3 x 10mm
120-003 Long nut no.3 3 x 18mm (stand off or spacer)
064H076 Holder H76
064H055A Holder H55A
064H083 Holder H83
064H092 Holder H92
065-190 Dust cover no.190
065-065 Dust cover no.65
065-005 Dust cover no.5

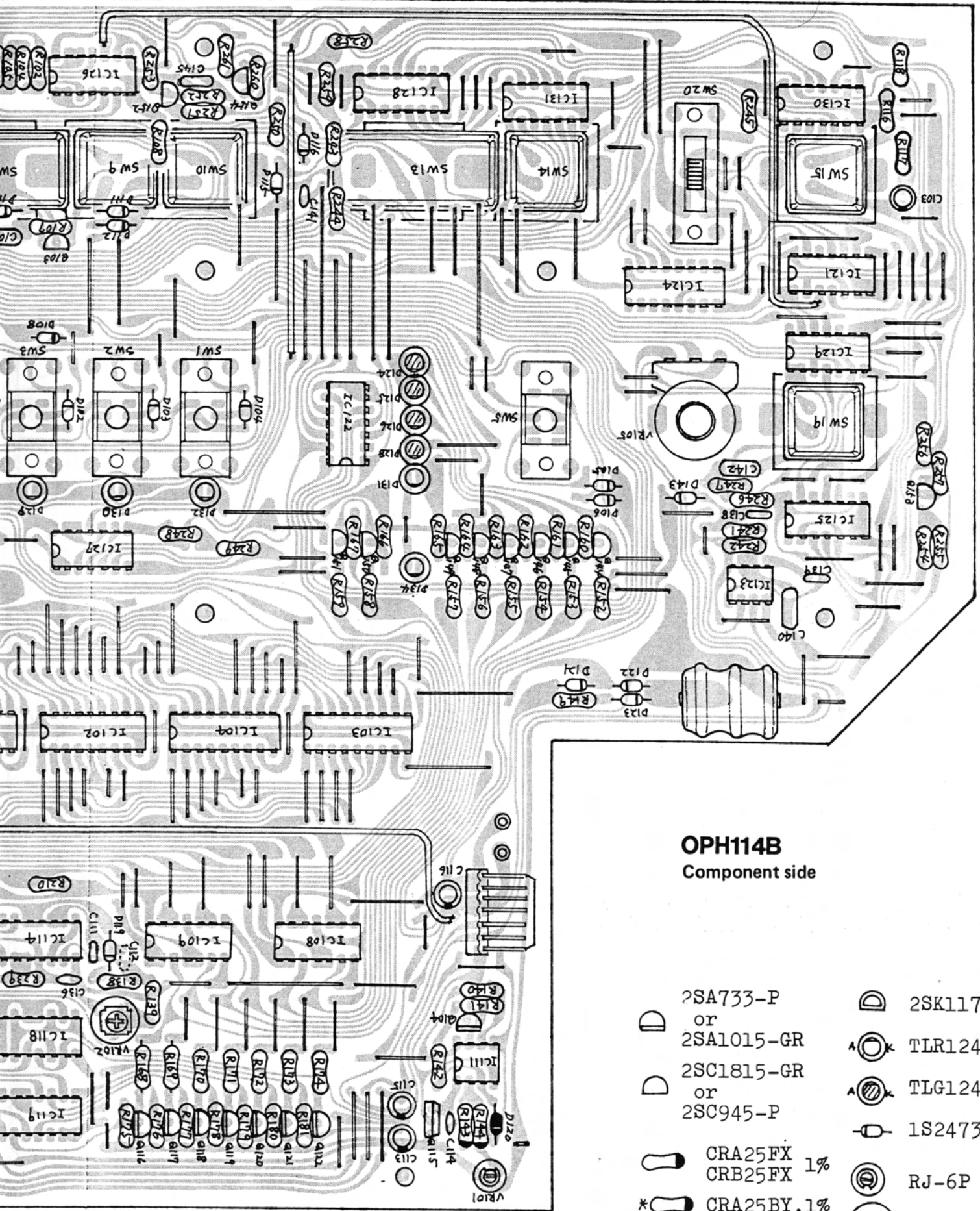
NEW NUMBERING IS APPLIED TO SOME NEW COMPONENTS

CB-5013 Bakken

1 2 3 4 5 6 7 8 9 10 11 12 13 14 15 16 17 18 19 20 21



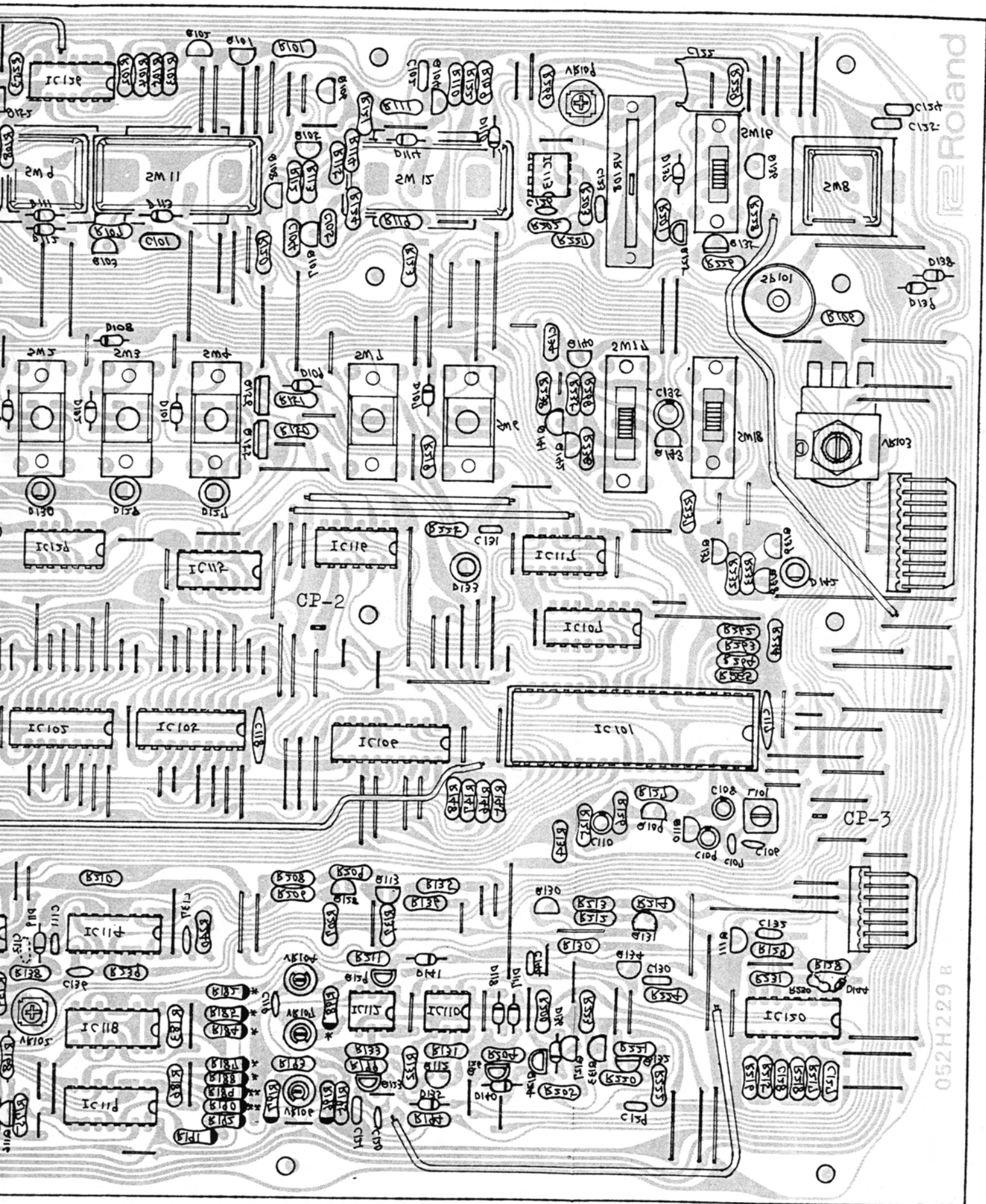
19 20 21 22 23 24 25 26 27 28 29 30 31 32 33 34 35 36 37 38 39 40



OPH114B
Component side

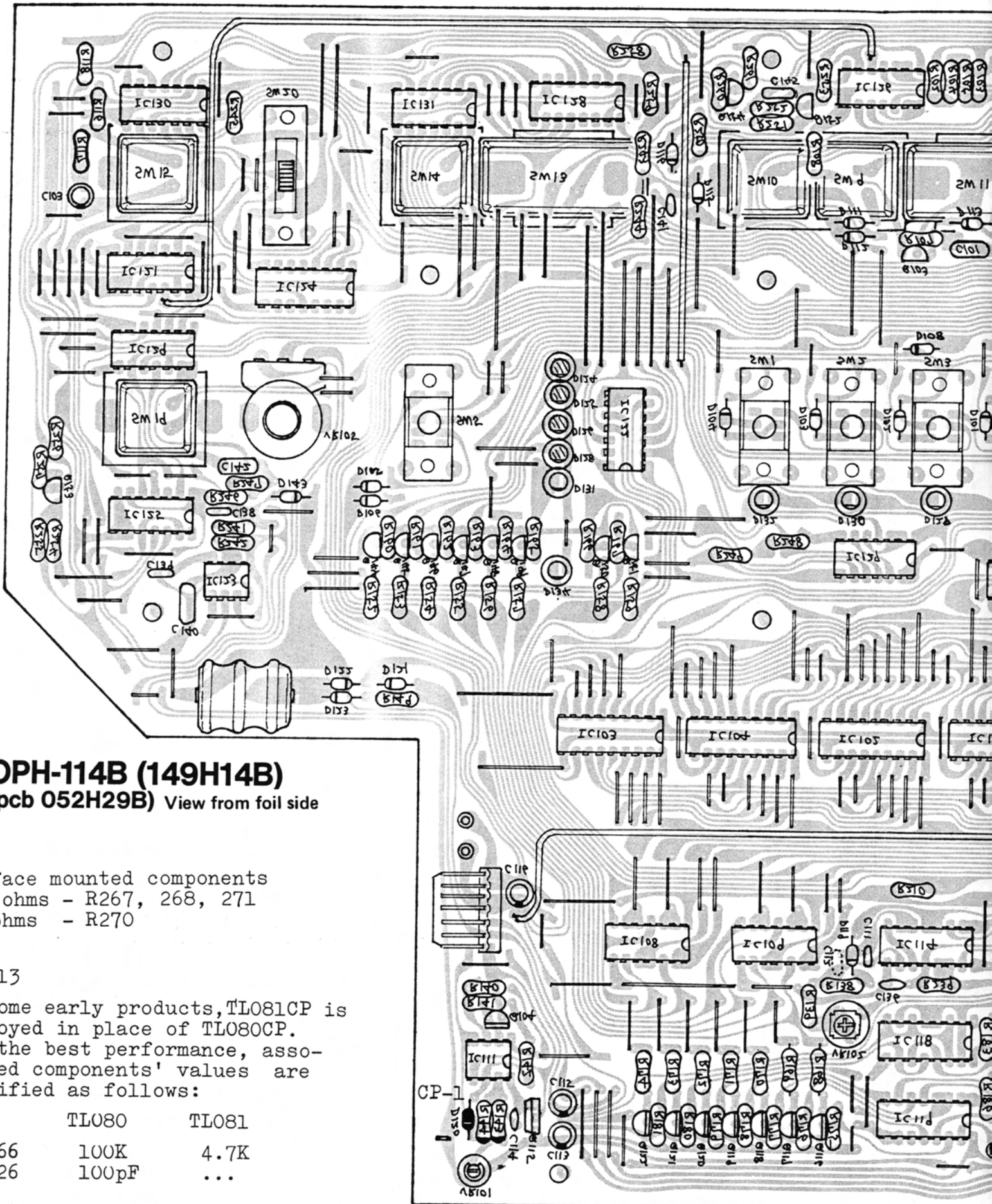
- | | | | |
|--|---|--|-----------|
| | 2SA733-P
or
2SA1015-GR | | 2SK117-GR |
| | 2SC1815-GR
or
2SC945-P | | TLR124 |
| | CRA25FX
CRA25BY.1%
or
CRA25DY.5% | | TLG124 |
| | 1S2473 | | RJ-6P |
| | SR-19R | | |

18 19 20 21 22 23 24 25 26 27 28 29 30 31 32 33 34 35 36 37 38 39



A
B
C
D
E
F
G
H
I
J
K
L
M
N
O
P
Q
R
S
T
U
V

to help simulate turning the pc board inside out without removing the front panel off.



OPH-114B (149H14B)
 (pcb 052H29B) View from foil side

Surface mounted components
 10k ohms - R267, 268, 271
 1M ohms - R270

IC 113
 In some early products, TL081CP is employed in place of TL080CP. For the best performance, associated components' values are specified as follows:

	TL080	TL081
R266	100K	4.7K
C126	100pF	...

ADJUSTMENTS

The adjustment is composed of two parts: Section I and Section II. It is recommended that the adjustment which is necessitated after the replacement of failing component or others are, as a rule, to be conducted as described in Section I.

Difinitions

In this adjustment, the following terms have the following meanings.

- DVM --- Digital voltmeter
- LOAD, PLAY, etc. ----- Key on the CSQ-600 control panel
- Scope --- Oscilloscope
- 2V key, 3V key, etc. ----- A key on the synthesizer keyboard connected
- TEMPO, CAL, FAST, etc. ----- Control, Switch, Jack, Legend on the CSQ-600
- CP1, CP2, etc. ----- Check point on the PCB

NOTE: Allow at least ten minutes for warm up period before adjusting.

CAUTION: Do not trun adjusting potentiometers excessively.

SECTION I

Adjustment is usually necessary only after replacing parts:

CALIBRATION PROCEDURES

After replacing	Connect- to	Adjust, or Check	for (remark)
IC101 (μ PD8048) L101 (47 μ H)	1. Frequency counter, CP2	L101	365kHz \pm 10kHz (8048 Clock frequency)
IC114 (TC4049))	2. Frequency counter, CP3	VR102 Clock Adj.	(Tempo clock frequency) 4.7kHz \pm 5% with TEMPO at FAST
Check that frequency is 0.7kHz \pm 5% with TEMPO set at SLOW. If deviates from this range, readjust VR102 for within the range of 4.7kHz \pm 5% with TEMPO set at FAST. Or, tailor C112.			
IC113 (TLO80CP)	3. No connection, CV IN jack DVM, CV OUT	VR109 Offset	(Press <u>RESET</u>) 0 \pm 0.5mV
IC111 (μ PC4558) D120 (1S252)	4. DVM, CP1	VR101 -15V Adj.	-15V \pm 2mV
NOTE: Since any variation in the DC supplies will have the most pronounced effect on the D-A converter, check CV OUT for error through the next steps (5).			
IC118, IC119 (TC4049) IC112 (TLO82CP)	5. CV IN, Synthe CV OUT GATE IN, Synthe GATE OUT DVM, CV OUT	VR106 CV Adj.	(D/A Adj.) CAUTION: Adjustment of the DA converter is very subtle. Always rotate Adj. pots by small degrees, excessive turn will bring great difficulty on the subsequent adjustments, requiring a waste of time.
Setting: PORTAMENTO on the synthesizer ----- Off or TIME "0" LOAD MODE ----- CV/GATE MEMORY ----- PART-1 PLAY MODE ----- KCC ADD ON REPEAT			
TEMPO ----- Its midpoint PORTAMENTO ----- TIME 0 CALIBRATION ----- Its midpoint			

- TO BE CONTINUED -

continued from the preced

- 5-1. Press RESET and LOAD.
- 5-2. Press 2V key, DVM sho
When DVM reading is w
pot for 2V CV OUT wit
5-3 and 5-4.
If reading is outside
at its midway and adj
3mV reading.
- 5-3. Verification of KCV AD
While pressing 2V key
same value.
a) If reading changes
set at incorrect p
b) When the reading i
readings are within
below with respect
RESET-LOAD-2V key-
Key being played

2V
3V
4V

If any of the readi
make adjustment und

- 5-4. Press RESET and LOAD.
While playing 4V key,
read 6.000 \pm 3mV. If not

SECTION II

1. ADJUSTING DIGITAL TO AN
- Refer to NOTE at the er

Some procedures are the same
In the following steps, adju
specified key being held dow
Connections and Settings - 1
Section I.

- 1-1. Press RESET and LOAD.
- 1-2. While playing 2V key, a
2.000V reading. Then, p
a) If the reading stays
b) If changes, proceed
- 1-3. Press RESET, LOAD and
While holding down the
following "2V" accordin
step 1-2, b.
As discussed earlier (R
DATA), DVM reading will
as VR106 is being turne
Ordinal numbers in the
top right show number o

continued from the preceding table

- 5-1. Press RESET and LOAD.
- 5-2. Press 2V key, DVM should read $2.000 \pm 3mV$.
When DVM reading is within $\pm 3mV$, adjust CALIBRATION pot for 2V CV OUT with PUSH CAL depressed. Proceed to 5-3 and 5-4.
If reading is outside $\pm 3mV$ range, set CALIBRATION pot at its midway and adjust VR106 (CV Adj.) for $2.000 \pm 3mV$ reading.
- 5-3. Verification of KCV ADD Function
While pressing 2V key, push PLAY. DVM should read the same value.
 - a) If reading changes, it means that VR106 has been set at incorrect point. Proceed to Section II.
 - b) When the reading is steady, make sure that the DVM readings are within the ranges shown in the table below with respective key pressed:
RESET-LOAD-2V key-PLAY-2V key-3V key-4V key

Key being played	DVM reading (CV OUT)
2V	$2.000 \pm 2mV$
3V	$3.000 \pm 2mV$
4V	$4.000 \pm 2mV$

If any of the readings deviate from the limit, make adjustment under Section II, - 1-6.

- 5-4. Press RESET and LOAD.
While playing 4V key, push PLAY. The meter should read $6.000 \pm 3mV$. If not, proceed to Section II, - 1-7.

SECTION II

1. ADJUSTING DIGITAL TO ANALOG CONVERTER

- Refer to NOTE at the end of this page -

Some procedures are the same as described in Section I. In the following steps, adjustment should be made with specified key being held down.
Connections and Settings - follow the instruction "5" in Section I.

- 1-1. Press RESET and LOAD.
- 1-2. While playing 2V key, adjust VR106 (CV Adj.) for 2.000V reading. Then, press PLAY.
 - a) If the reading stays still, proceed to step 1-5.
 - b) If changes, proceed to step 1-3 (note the reading).
- 1-3. Press RESET, LOAD and 2V key.
While holding down the 2V key, adjust VR106 for the following "2V" according to the deviation noted at step 1-2, b.
As discussed earlier (RELATIONSHIP between CV ADJ and DATA), DVM reading will repeat the cycle of $2V \pm 41mV$ as VR106 is being turned.
Ordinal numbers in the right column of the table at top right show number of repetition.

DVM reading at step 1-2, <u>b</u>	T
2.083V	c.
2.167V	
2.250V	
1.917V	cc
1.833V	
1.750V	

- 1-4. Press RESET, LOAD.
DVM must keep the
- 1-5. Press RESET and L

Key to be pressed	Adj
a) 3V	VR10 (WID)
b) 2V	VR10 (CV)
c) 4V	VR10 (DA)
d) 2V	VR10
e) 3V	VR10

- 1-6. Press RESET, LOAD.
DVM should read 6.000V. If not, noted, it may be e adjustments of d allowed to deviate.
a) Return to steps d only VR107 for t tion at 6.000V, e. 2.000 minus 1-2mV proceed to 6.000V of d and e may b

2. CHECKING CV OUT
With DVM connected
DVM readings for 1

NOTE: Most difficulties WIDTH and CV result from trimmers; VR104, VR107 and far from their proper p imate positions illustr Adjust again from appro

VIEW FR

VR104
DA ADJ

VR10
WIDT



preceding table

and LOAD.

, DVM should read $2.000 \pm 3mV$.

ing is within $\pm 3mV$, adjust CALIBRATION

OUT with PUSH CAL depressed. Proceed to

s outside $\pm 3mV$ range, set CALIBRATION pot

and adjust VR106 (CV Adj.) for $2.000 \pm$

of KCV ADD Function

g 2V key, push PLAY. DVM should read the

changes, it means that VR106 has been

correct point. Proceed to Section II.

reading is steady, make sure that the DVM

are within the ranges shown in the table

respective key pressed:

LOAD-2V key-PLAY-2V key-3V key-4V key

Key played	DVM reading (CV OUT)
	$2.000 \pm 2mV$
	$3.000 \pm 2mV$
	$4.000 \pm 2mV$

the readings deviate from the limit,

adjustment under Section II, - 1-6.

and LOAD.

4V key, push PLAY. The meter should

7. If not, proceed to Section II, - 1-7.

SECTION II

ANALOG CONVERTER

at the end of this page -

the same as described in Section I.

steps, adjustment should be made with

held down.

ings - follow the instruction "5" in

and LOAD.

2V key, adjust VR106 (CV Adj.) for

. Then, press PLAY.

ing stays still, proceed to step 1-5.

proceed to step 1-3 (note the reading).

LOAD and 2V key.

down the 2V key, adjust VR106 for the

according to the deviation noted at

earlier (RELATIONSHIP between CV ADJ and

ing will repeat the cycle of $2V \pm 41mV$

ing turned.

in the right column of the table at

number of repetition.

DVM reading at step 1-2. <u>b</u>	Turn VR106 in this direction	Stop turning when DVM reads 2.000V of
2.083V	clockwise (CW)	1st
2.167V	CW	2nd
2.250V	CW	3rd
1.917V	counterCW (CCW)	1st
1.833V	CCW	2nd
1.750V	CCW	3rd

1-4. Press RESET, LOAD, 2V key and PLAY. (2V key held down) DVM must keep the same reading.

1-5. Press RESET and LOAD.

Key to be pressed	Adjust	for reading	(remark)
a) 3V	VR107 (WIDTH)	3.000V	Repeat until exact readings are obtained
b) 2V	VR106 (CV ADJ)	2.000V	
c) 4V	VR104 (DA ADJ)	4.000V	Repeat until respective
d) 2V	VR106	2.000V	voltages are
e) 3V	VR107	3.000V	displayed on DVM

1-6. Press RESET, LOAD, 4V key (kept down) and PLAY. DVM should read $6.000 \pm 2mV$. If a discrepancy is noted, it may be cured by the sacrifice of d and e adjustments of above 1-5 with their readings allowed to deviate within tolerance.

a) Return to steps d and e of 1-5. This time, adjust only VR107 for the readings which decrease deviation at 6.000V, e.g. if $6.000 \pm 3mV$, set VR107 for 2.000 minus 1-2mV and 3.000V minus 1-2mV and again proceed to 6.000V adjustment. Readings within $\pm 2mV$ of d and e may be considered as the tolerance.

2. CHECKING CV OUT

With DVM connected to CV OUT and LOAD pressed, check DVM readings for 1V/oct across keyboard.

NOTE: Most difficulties in getting correct voltages of WIDTH and CV result from wrong settings of adjustment trimmers; VR104, VR107 and/or 106 might have been set too far from their proper position. Reset them to the approximate positions illustrated in the figures below. Adjust again from appropriate step.

VIEW FROM PANEL SIDE

VR104
DA ADJ



VR107
WIDTH



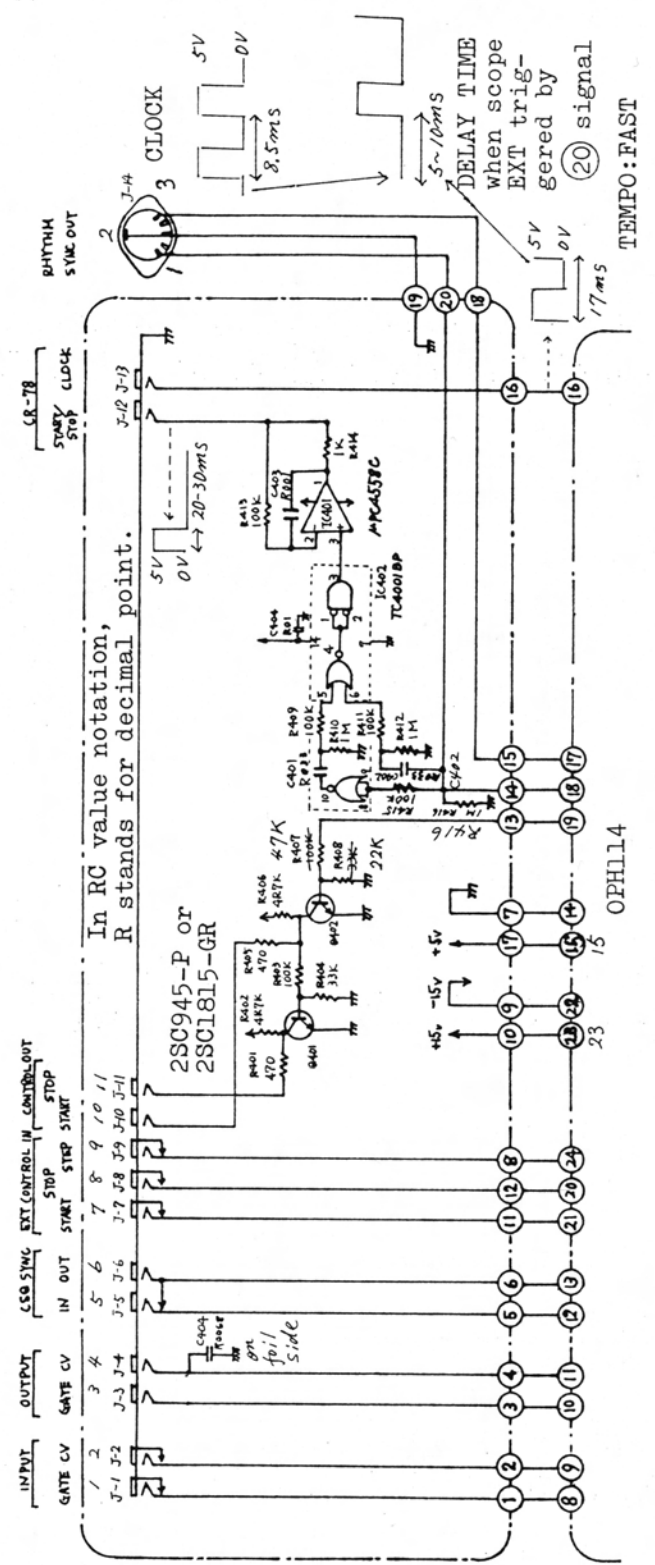
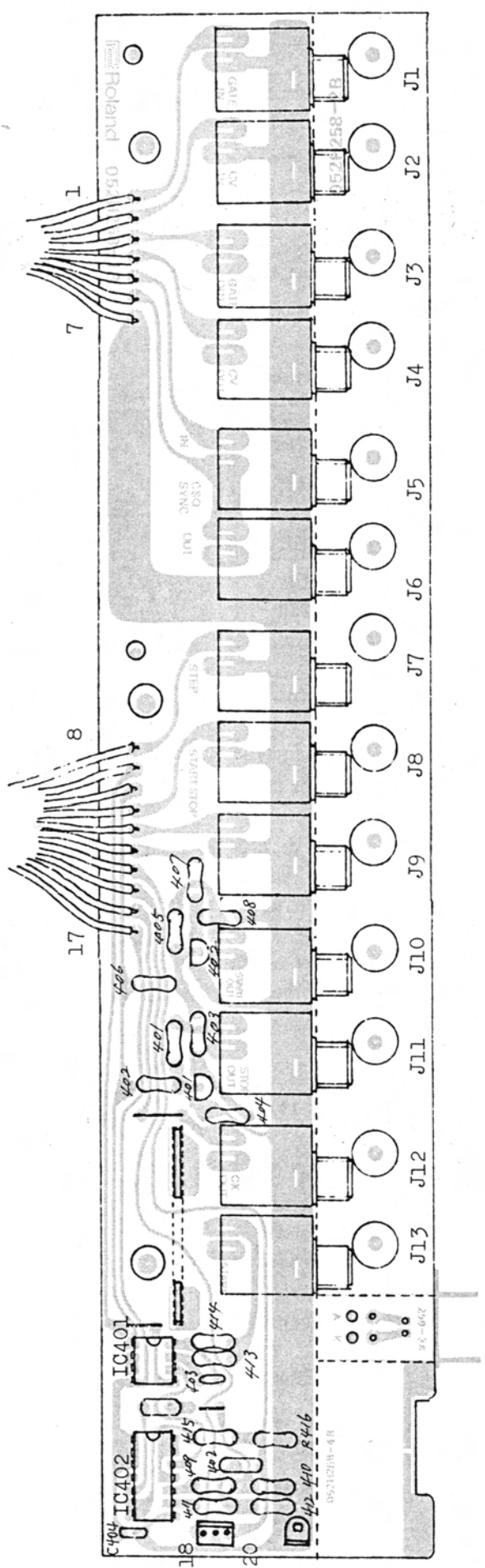
VR106
CV ADJ



1 2 3 4 5 6 7 8 9 10 11 12 13 14 15 16 17 18 19 20 21

A B C D E F G H I J K L M N O P Q R S T U V

OP-115B (149H115B) (pcb 052H258B) View from foil side



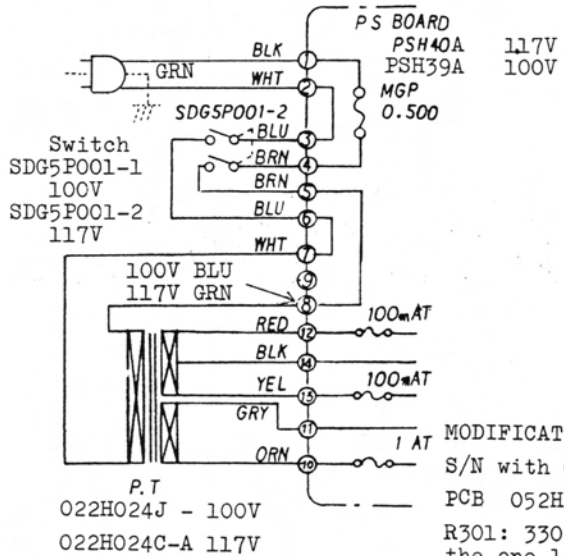
Switch SDG5P00 100V SDG5P00 117V

OPH114

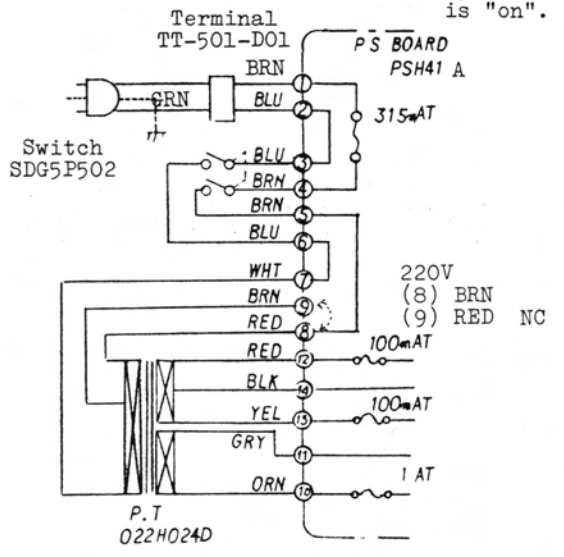
Switch SDG5P50

TEMPO:FAST
OPH114
17ms

100/117V



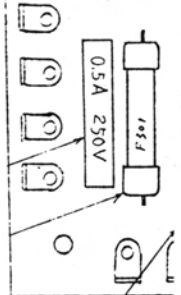
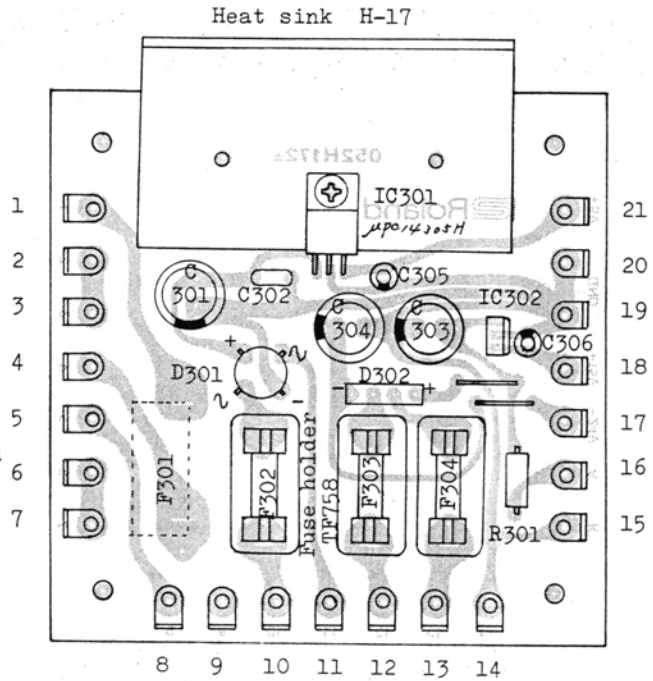
220/240V



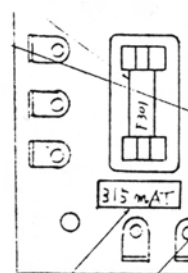
MODIFICATION
S/N with 001050
PCB 052H172C
R301: 330 ohms with the one lead connected to 21.
This prevents D303 from being lit when CSQ600 is "off" while synthesizer connected is "on".

POWER SUPPLY BOARD
PSH39A (146H039A) 100V
PSH40A (146H040A) 117V
PSH41A (146H041A) 220/240V
(Etch mask 052H172A)

When replacing, use C version.



F301:
PSH39/40
MGP 0.500 CSA
(008-040)



F301:
PSH41
SEMKO
T315mA
(008-061)

