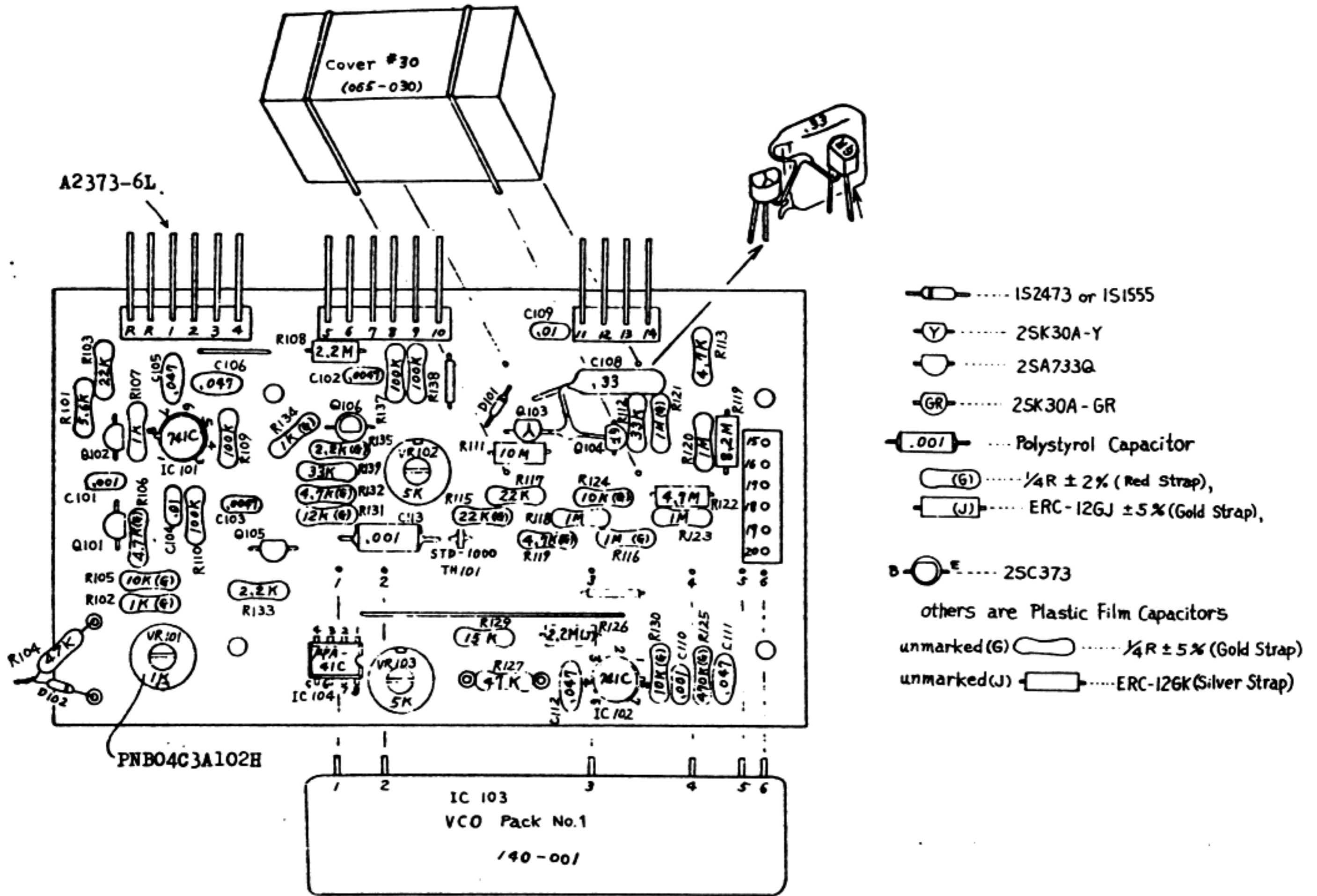
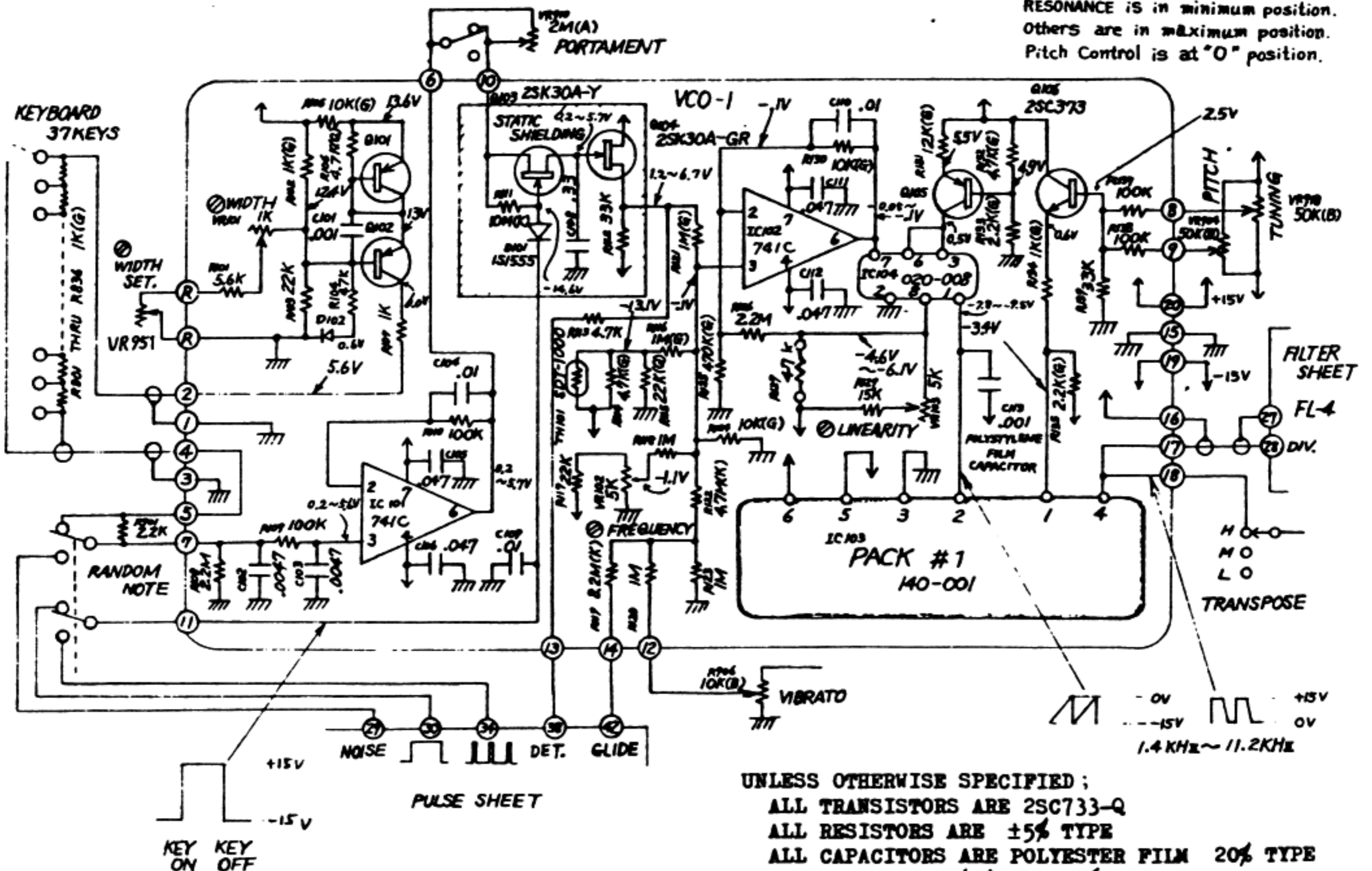


### 3. VCO SHEET ASSEMBLY (VCO-1)

#### 3-1. PARTS LAYOUT



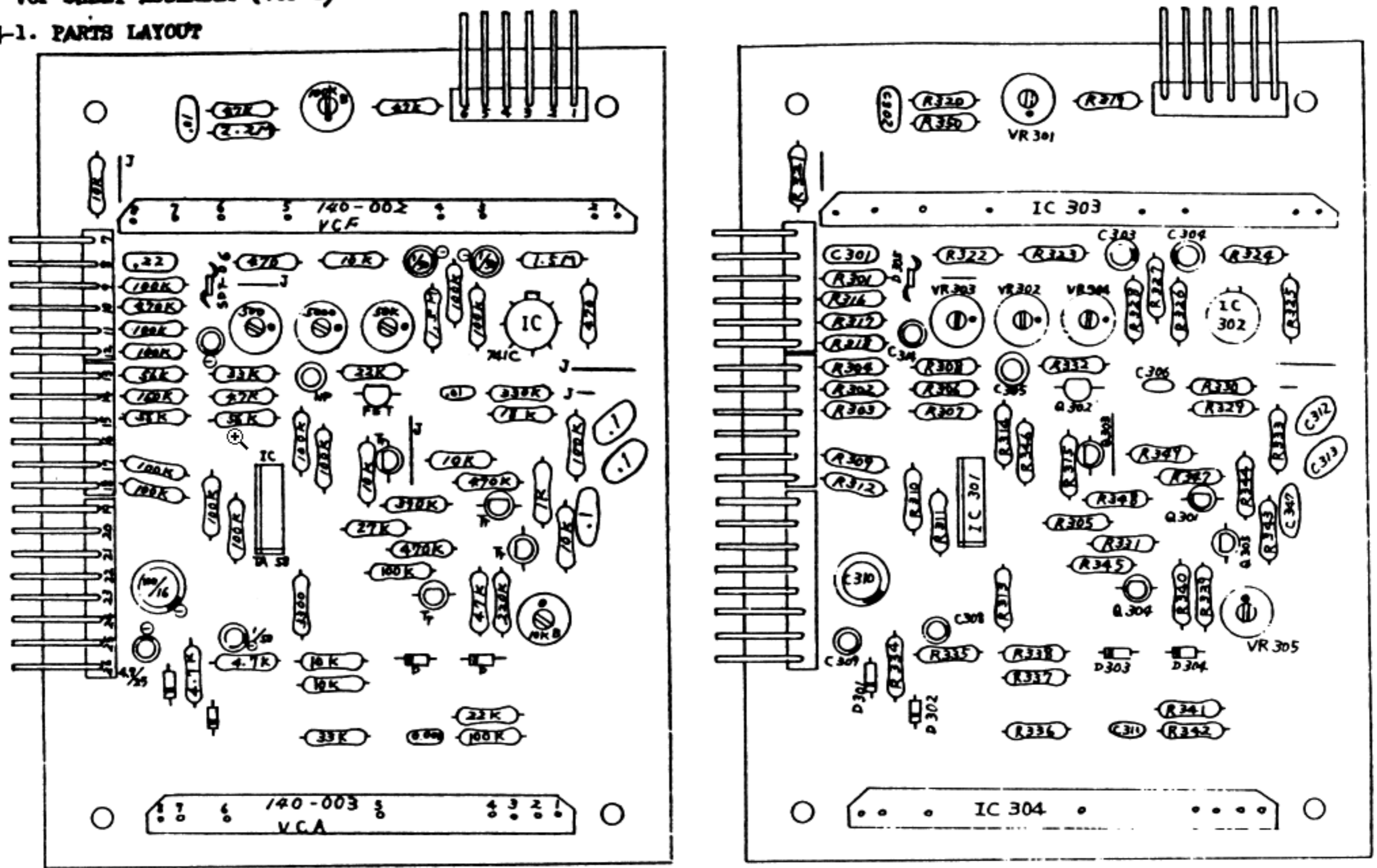
#### 3-2. CIRCUIT DIAGRAM (VCO-1)



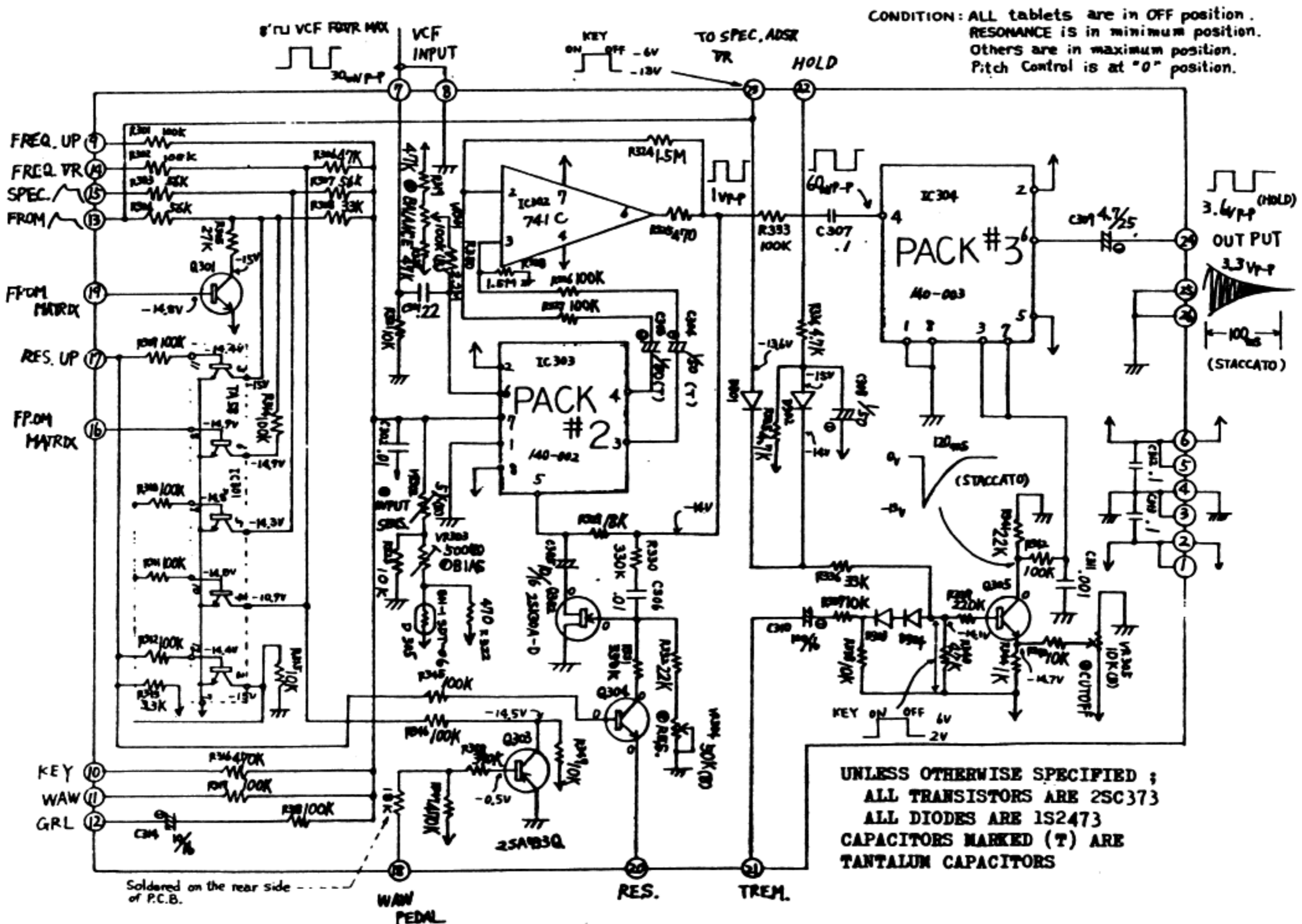
UNLESS OTHERWISE SPECIFIED ;  
 ALL TRANSISTORS ARE 2SC733-Q  
 ALL RESISTORS ARE ±5% TYPE  
 ALL CAPACITORS ARE POLYESTER FILM 20% TYPE  
 RESISTORS MARKED (G) ARE ±2% TYPE  
 RESISTORS MARKED (K) ARE ±10% TYPE

# 4. VCF SHEET ASSEMBLY (VCF-1)

## 4-1. PARTS LAYOUT



## 4-2. CIRCUIT DIAGRAM (VCF-1)



CONDITION: ALL tablets are in OFF position.  
RESONANCE IS in minimum position.

S.VR FROM S.VR TO R.VR

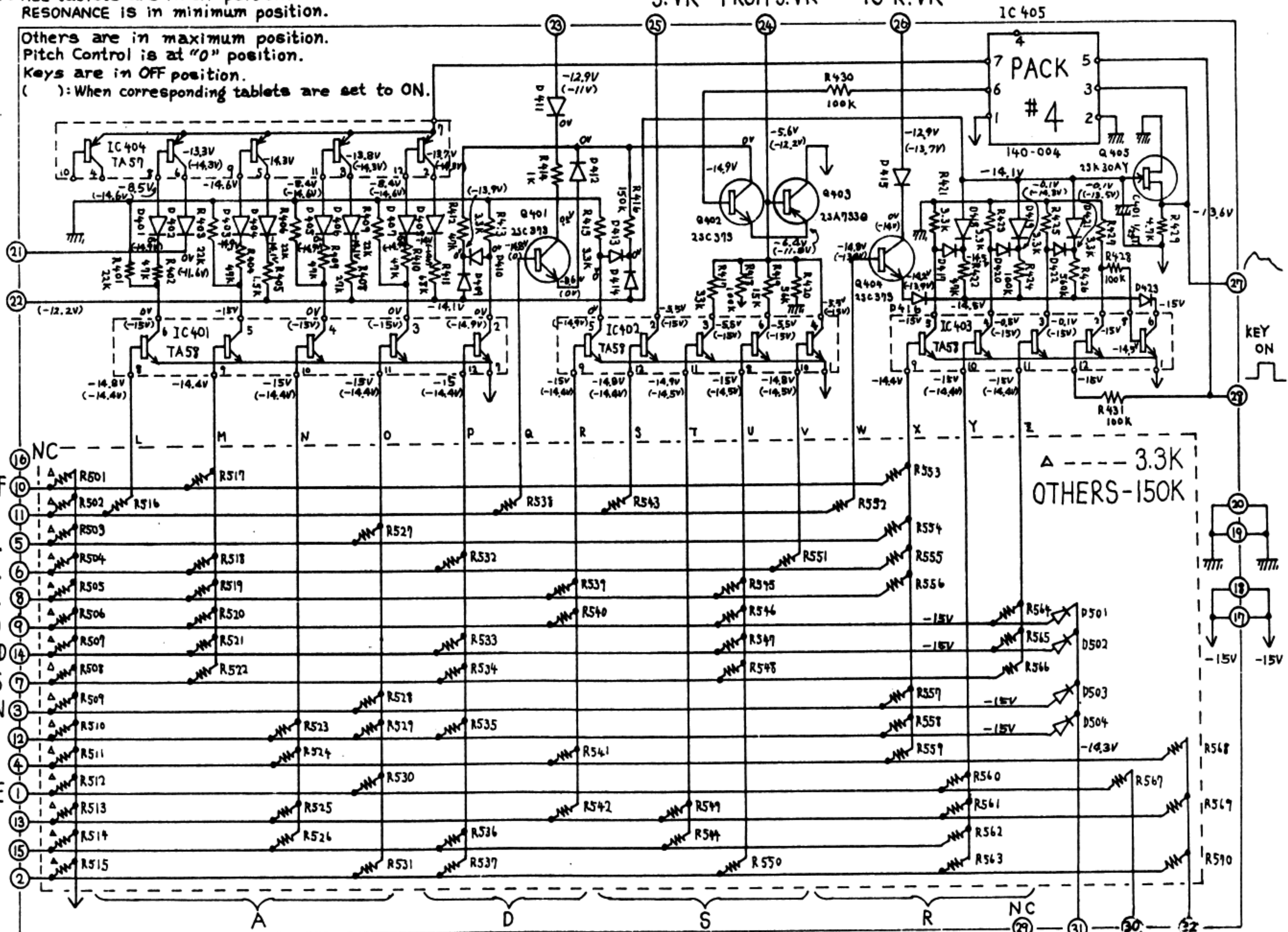
Others are in maximum position.  
Pitch Control is at "0" position.  
Keys are in OFF position.  
( ) : When corresponding tablets are set to ON.

ADSR OUTPUT

TO A.VR

FROM ADR VR

ALL DIODES ARE 1S2473  
ELECTROLYTIC CAPACITOR MARKED (T) IS TANTALUM TYPE



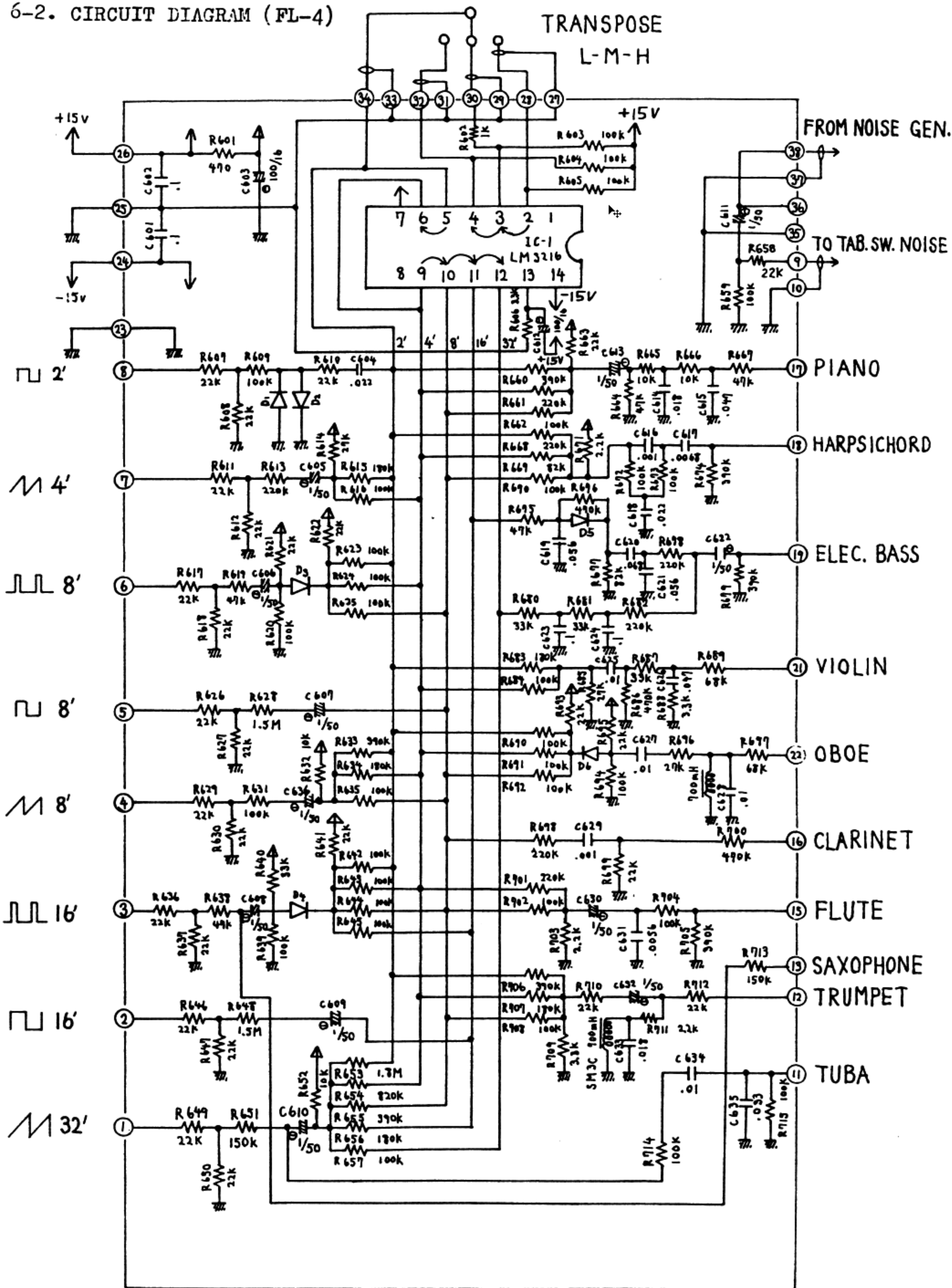
- NC
- 10 ADSR
- 11 SL.AT.
- 5 STAC.
- 6 PERC.
- 8 PIANO
- 9 H.CHORD
- 14 E.BASS
- 7 VIOLIN
- 3 OBOE
- 12 CLA.
- 4 FLUTE
- 13 SAX.
- 15 TP.
- 2 TUBA

△ --- 3.3K  
OTHERS-150K

TO VCF FUP #19  
TO VCF #15  
TO VCF #15



6-2. CIRCUIT DIAGRAM (FL-4)

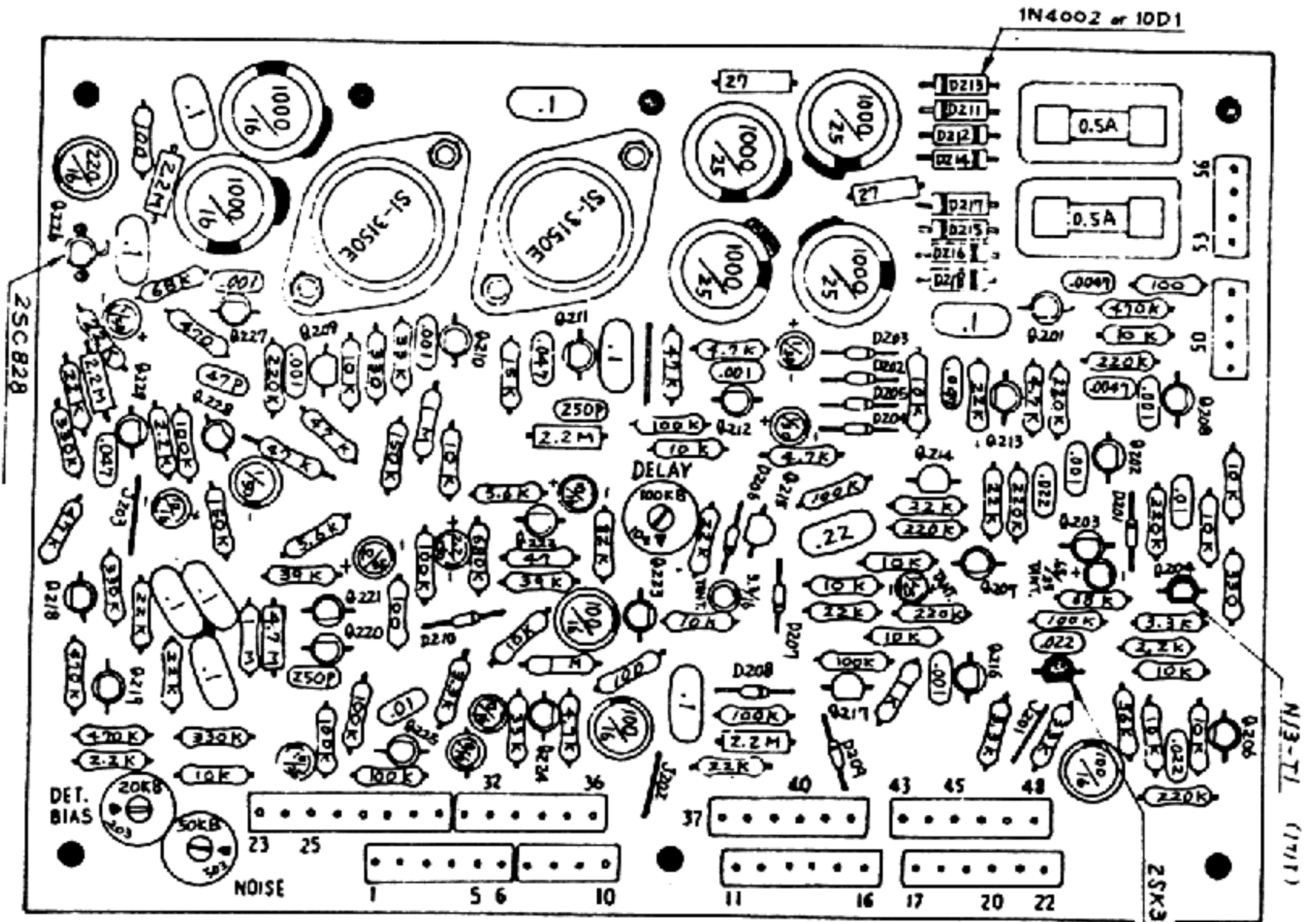


UNLESS OTHERWISE SPECIFIED :

ALL RESISTORS ARE  $\pm 10\%$  TYPE, ALL DIODES ARE 1S2473  
ALL CAPACITORS ARE POLYESTER FILM  $\pm 20\%$  TYPE

7. PULSE SHEET ASSEMBLY (PL-1)

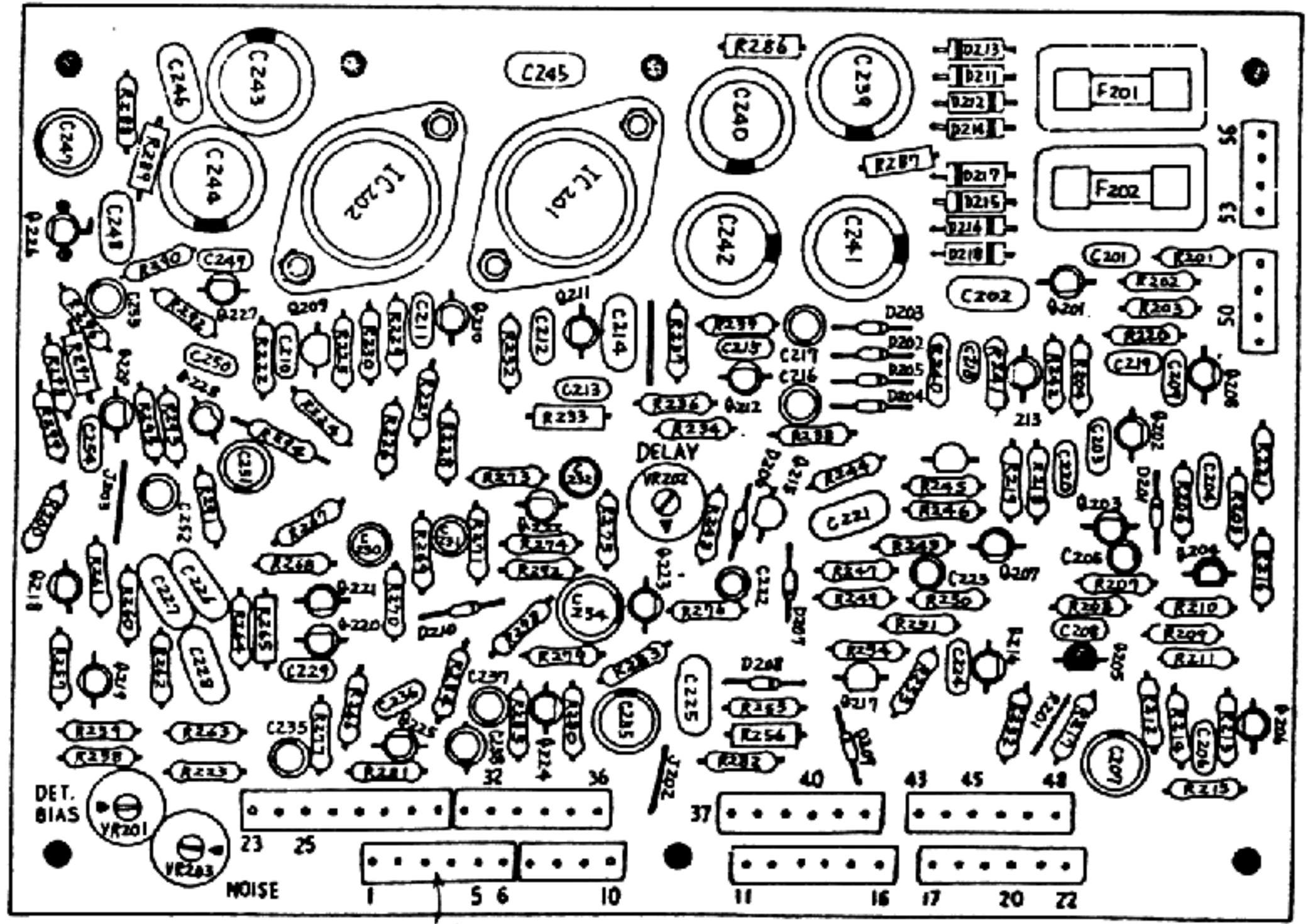
7-1. PARTS LAYOUT



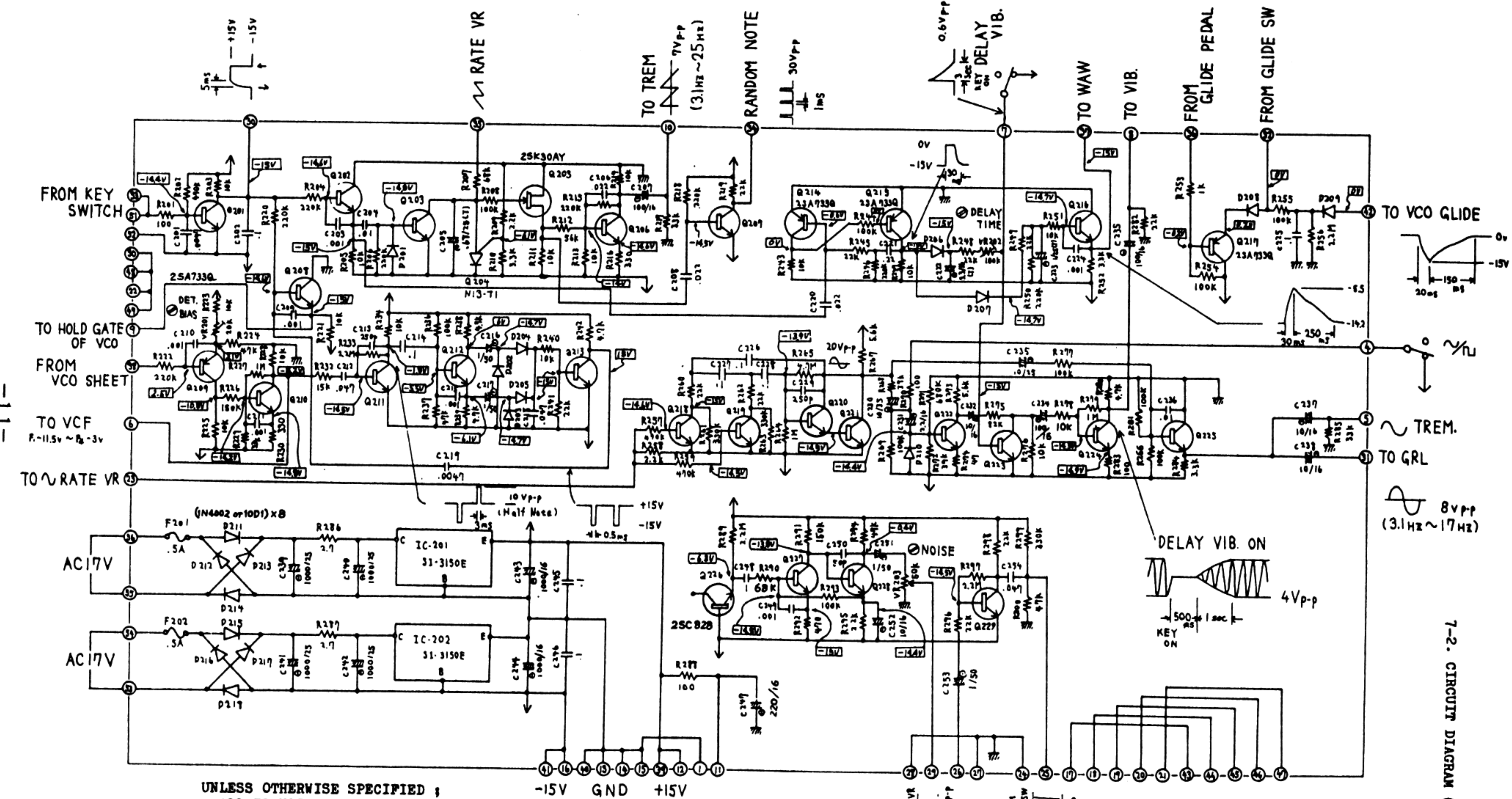
Unless marked otherwise

- ----- 25C373
- ----- 2SA733Q

- ⊖ ----- 1S-2473
- ⊕ ----- Electrolytic Capacitor
- ⊖ ----- Tantalum Capacitor



A2402-6

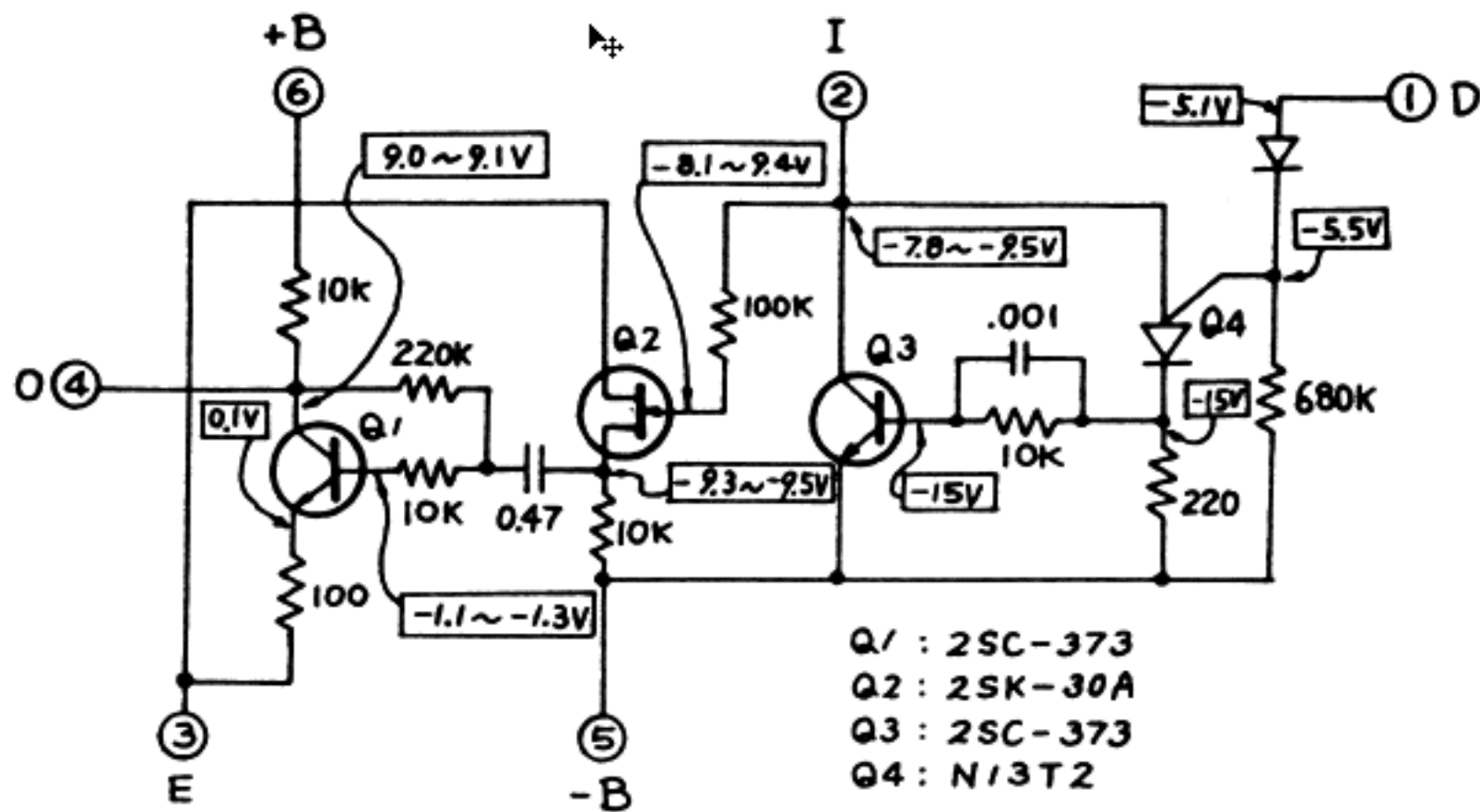


UNLESS OTHERWISE SPECIFIED ;  
 ALL TRANSISTORS ARE 2SC373  
 ALL DIODES ARE 1S1555  
 ALL ELECTROLYTIC CAPACITORS ARE ALUMINUM TYPE  
 ELECTROLYTIC CAPACITORS MARKED (T) ARE TANTALUM TYPE

CONDITION : ALL tablets are in OFF position.  
 RESONANCE is in minimum position.  
 Others are in maximum position.  
 Pitch Control is at "0" position.

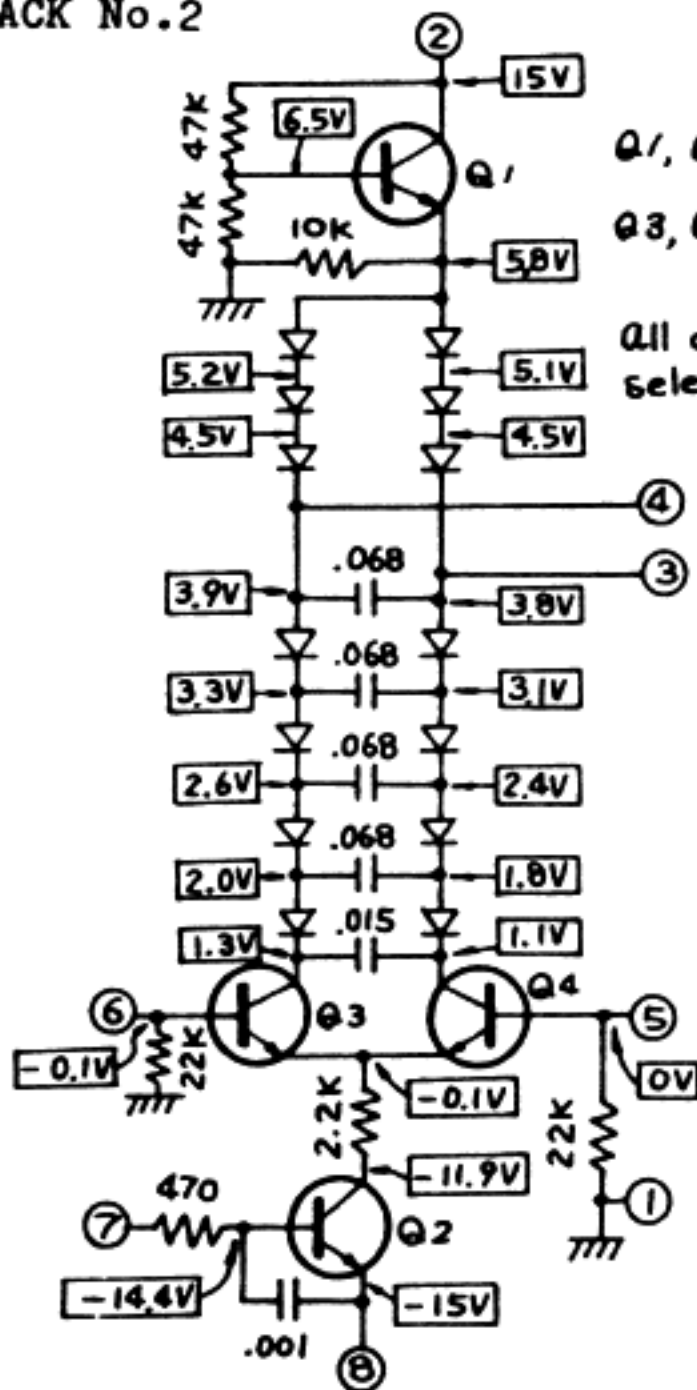
7-2. CIRCUIT DIAGRAM (PL-1)

## 8-1. PACK No.1





8-2. PACK No.2

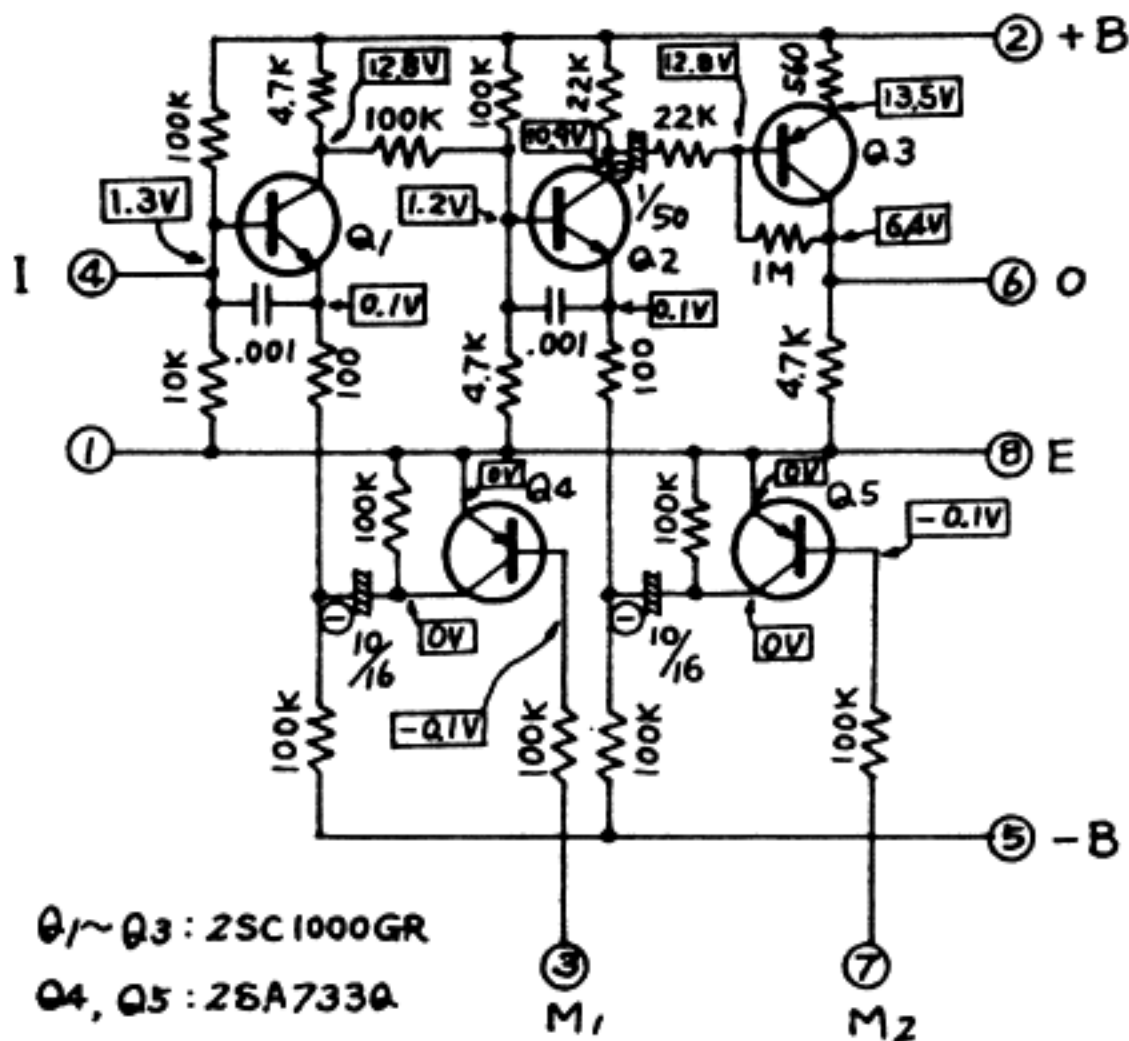


Q1, Q2 : 2SC-373

Q3, Q4 : 2SC-1000GY  
(Selected)

All diodes are  
selected.

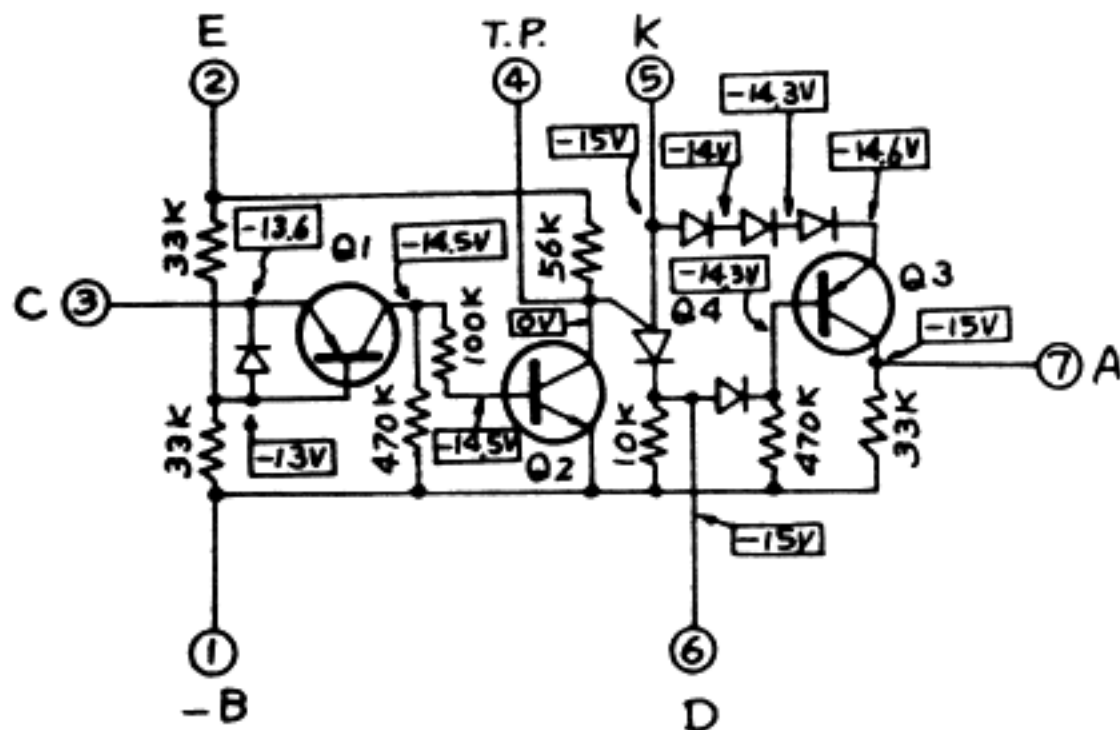
8-3. PACK No.3



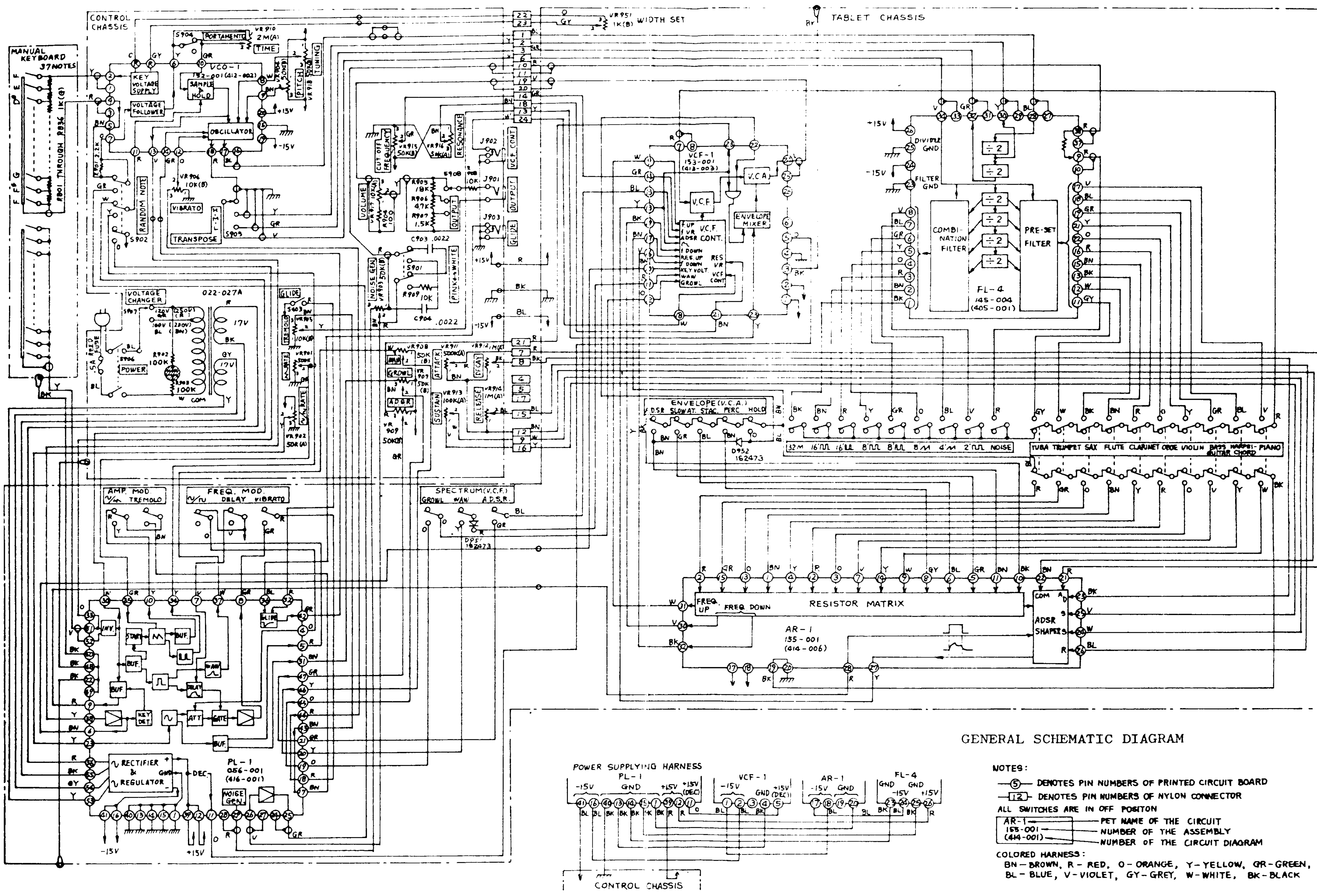
Q1~Q3 : 2SC1000GR

Q4, Q5 : 2SA733A

### 3-4. PACK No.4



Q1, Q3 : 2SA733Q  
 Q2 : 2SC373  
 Q4 : N/3T1



GENERAL SCHEMATIC DIAGRAM

- NOTES:
- ⑤ DENOTES PIN NUMBERS OF PRINTED CIRCUIT BOARD
  - 12 DENOTES PIN NUMBERS OF NYLON CONNECTOR
  - ALL SWITCHES ARE IN OFF POSITION
  - AR-1 — PET NAME OF THE CIRCUIT
  - 153-001 — NUMBER OF THE ASSEMBLY
  - 414-001 — NUMBER OF THE CIRCUIT DIAGRAM

COLORS HARNESS:  
 BN-BROWN, R-RED, O-ORANGE, Y-YELLOW, GR-GREEN,  
 BL-BLUE, V-VIOLET, GY-GREY, W-WHITE, BK-BLACK