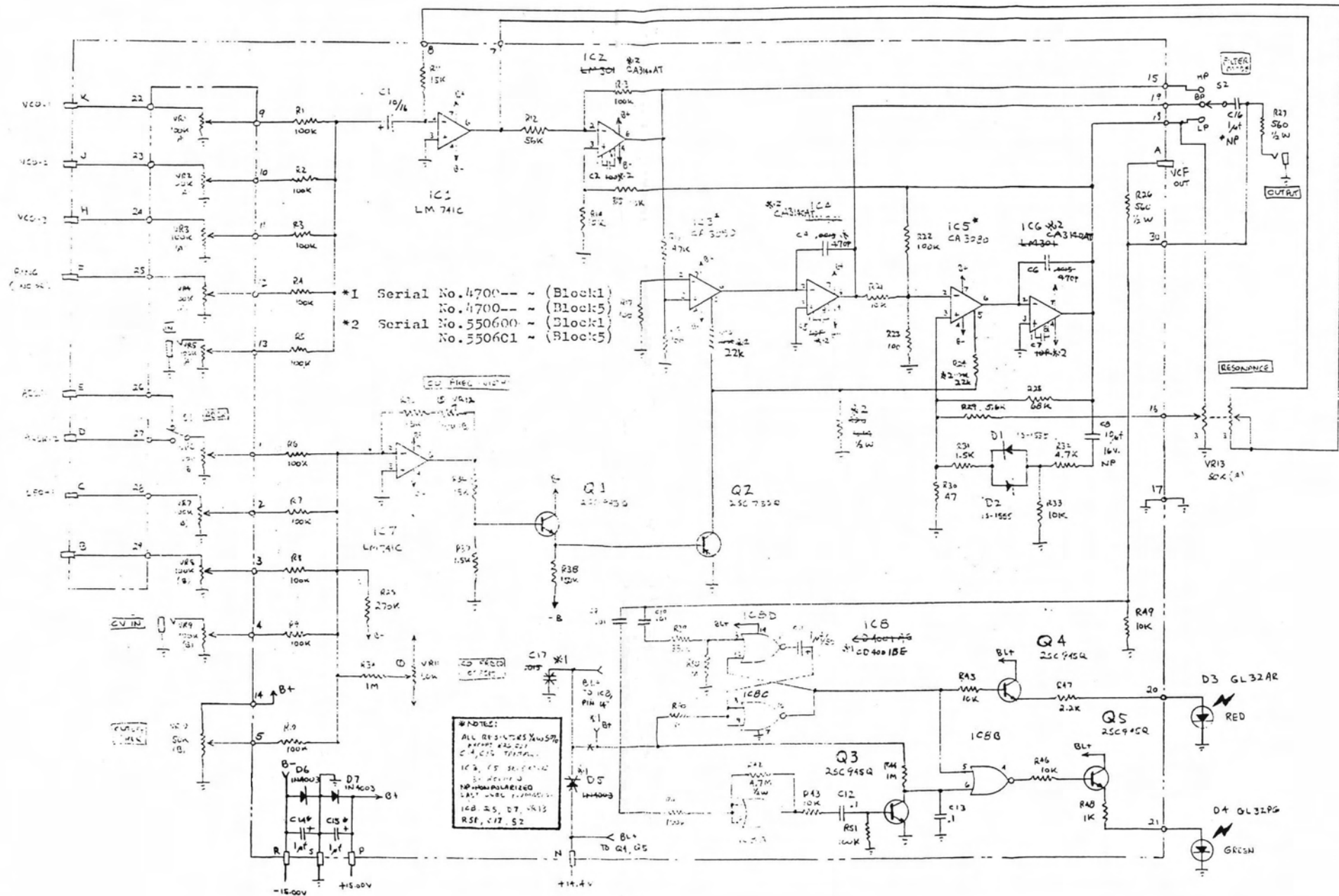
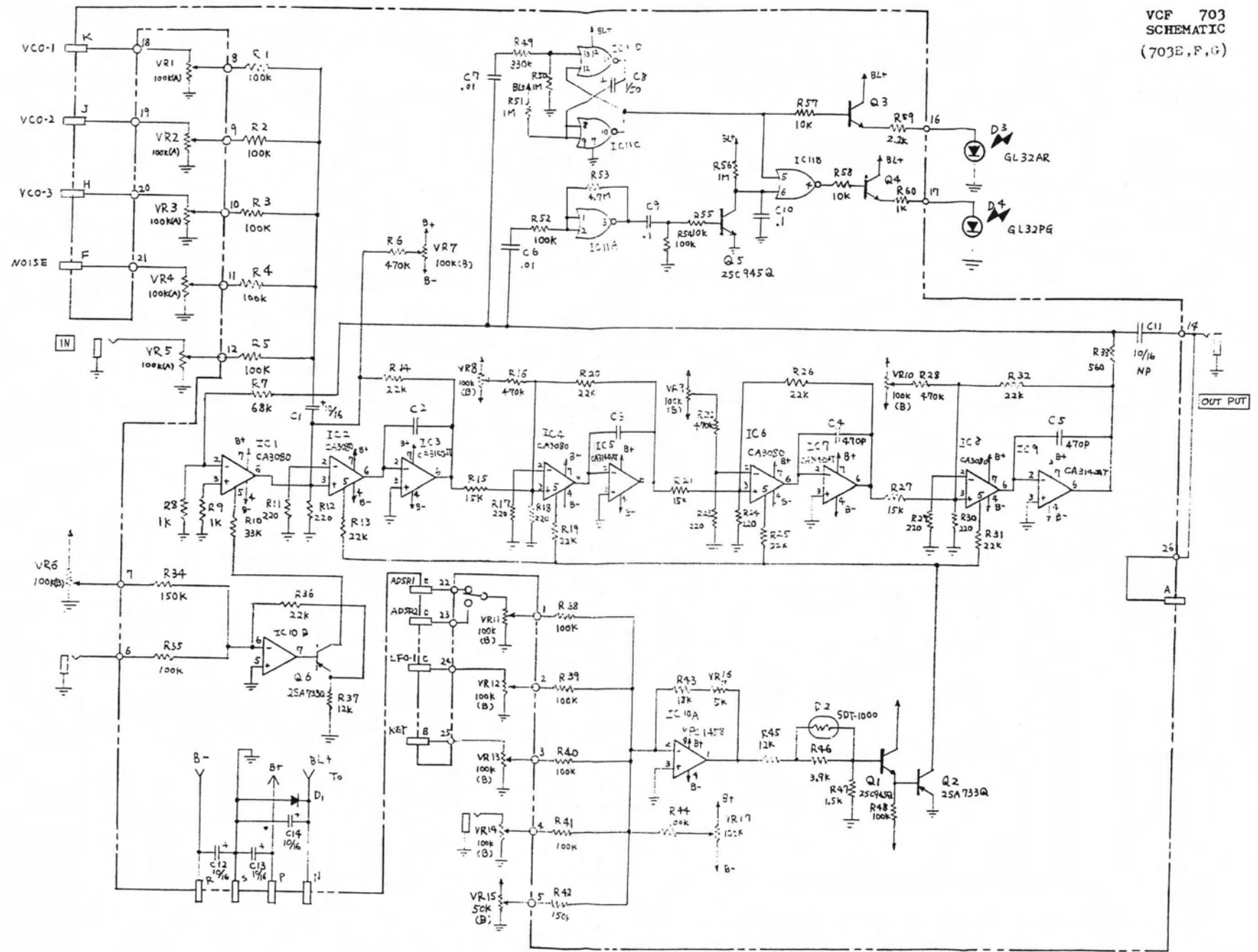


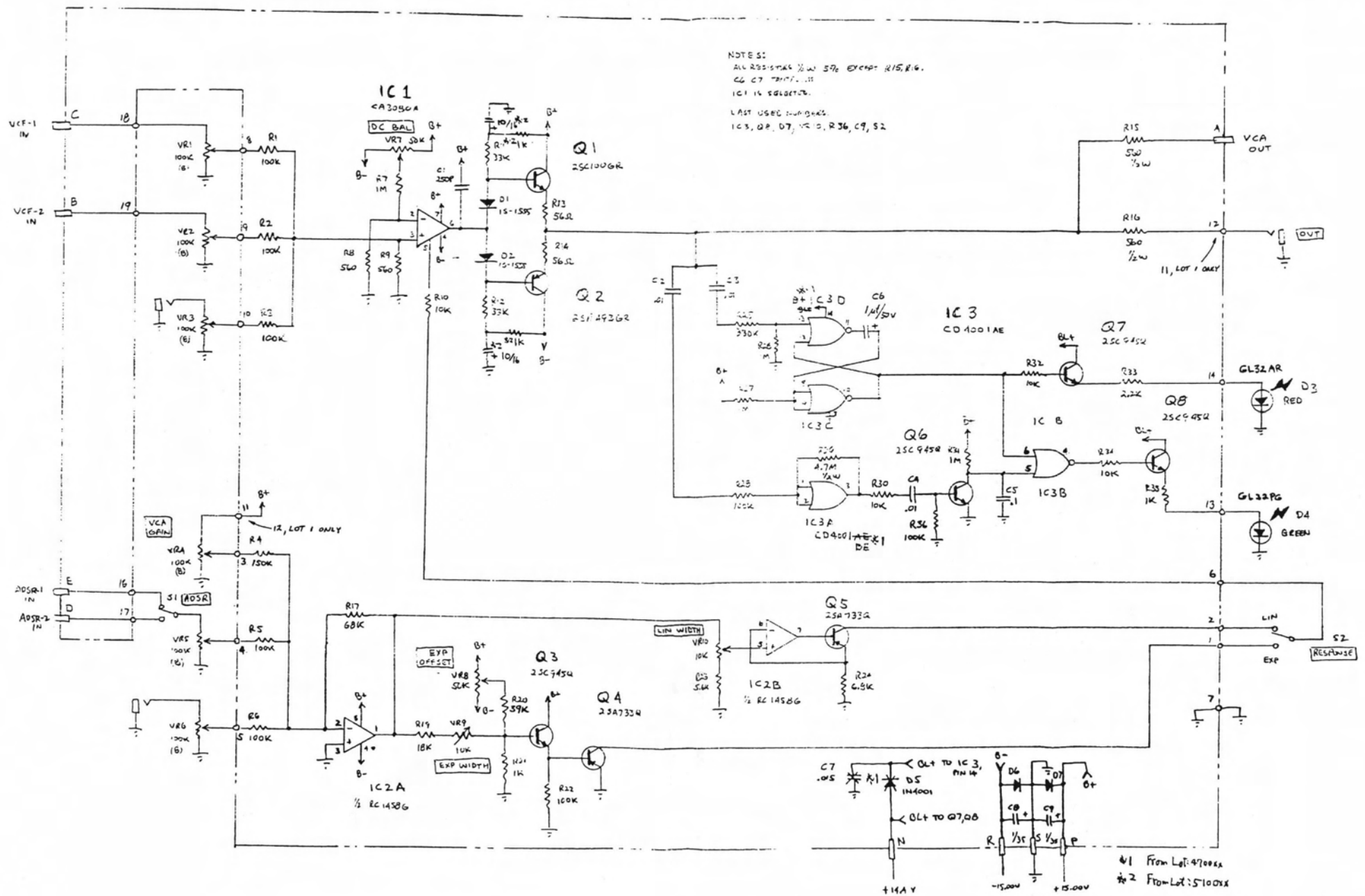
702A	2-4	X
702B	2-3	X
702C	2-5	X
702D	EXT IN	X
702E	EXT IN	EXT IN

*NOTES:
 MF = METAL OXIDE FILM RESISTORS (1%)
 R34, R35, R36, R37 ARE 0.1% MATCHED RESISTORS CHOSEN SO AS TO BE AS NEAR IN VALUE TO EACH OTHER AS POSSIBLE.
 ALL OTHER RESISTORS 1/4 W, 5%
 C1 IS A POLYSTYRENE P.P. CAPACITOR
 ALL DIODES (EXCEPT D1) ARE 1N51
 LOTS USED THROUGHOUT: IC6, C6, D7, VR12, R14, C19, C20



VCF 703
SCHEMATIC
(703E, F, G)



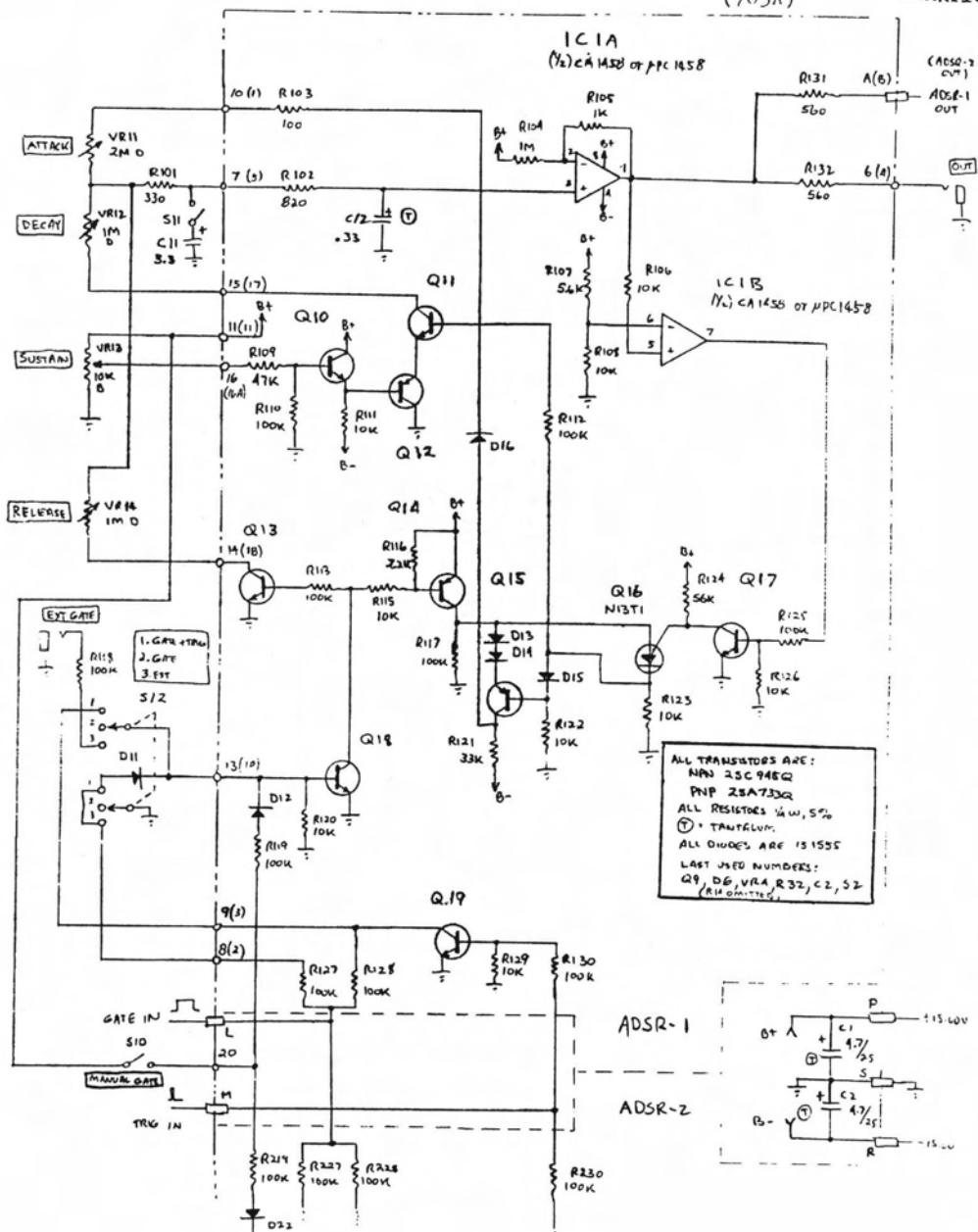


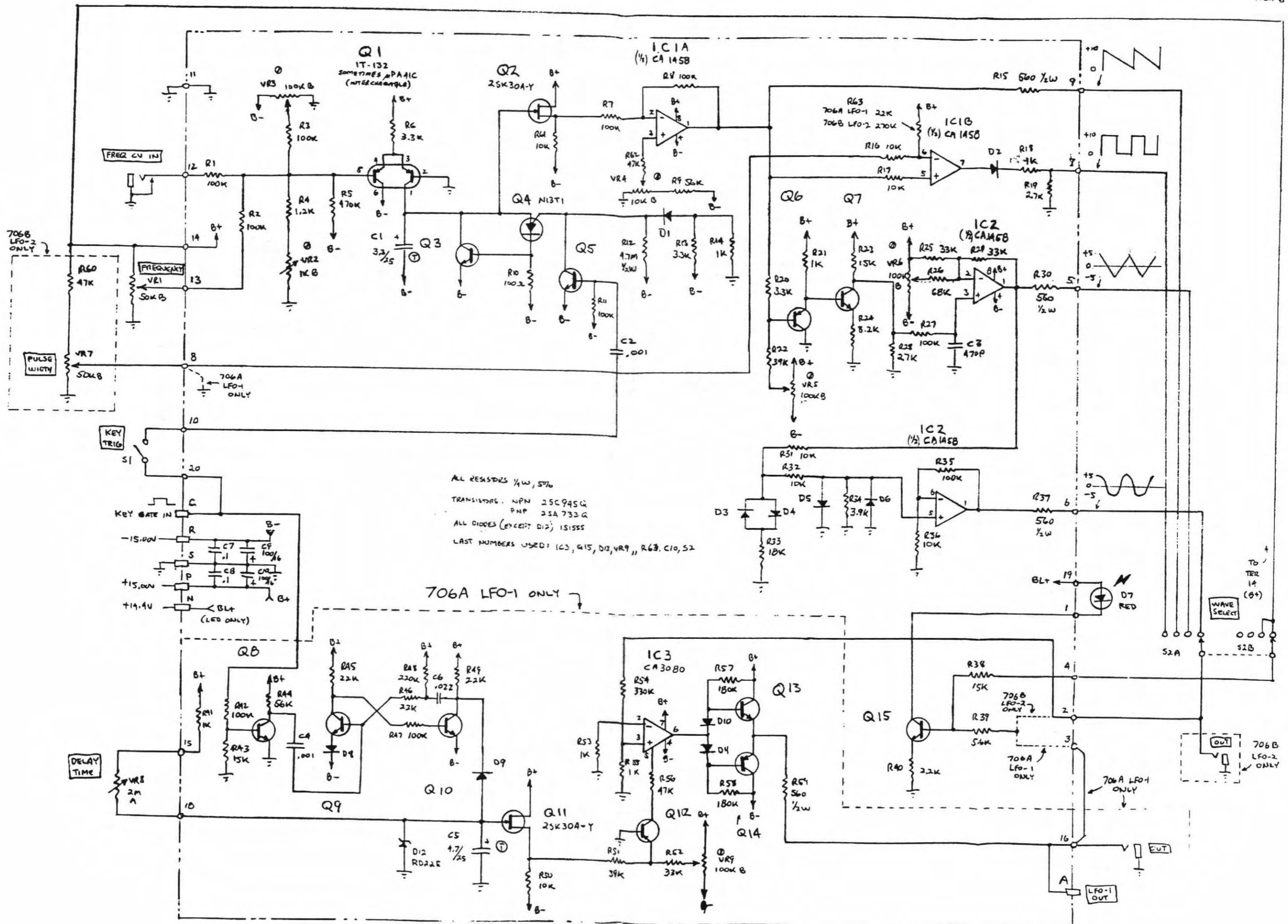
NOTES:
 ALL RESISTORS 1/2W 5% EXCEPT R15, R16.
 C6 C7 TRIPPLES
 IC1 IS SOLDERABLE
 LAST USED NUMBERS
 IC3, Q2, D7, VR10, R36, C9, S2

#1 From Lot: 470062
 #2 From Lot: 510062

(705A)

SCHEMATIC





ALL RESISTORS 1/4W, 5%
 TRANSISTORS: NPN 2SC945G
 PNP 2SA733G
 ALL DIODES (EXCEPT D12) 1S1585
 LAST NUMBERS USED: IC3, Q15, D12, VR9, R63, C10, S2

706A LFO-1 ONLY

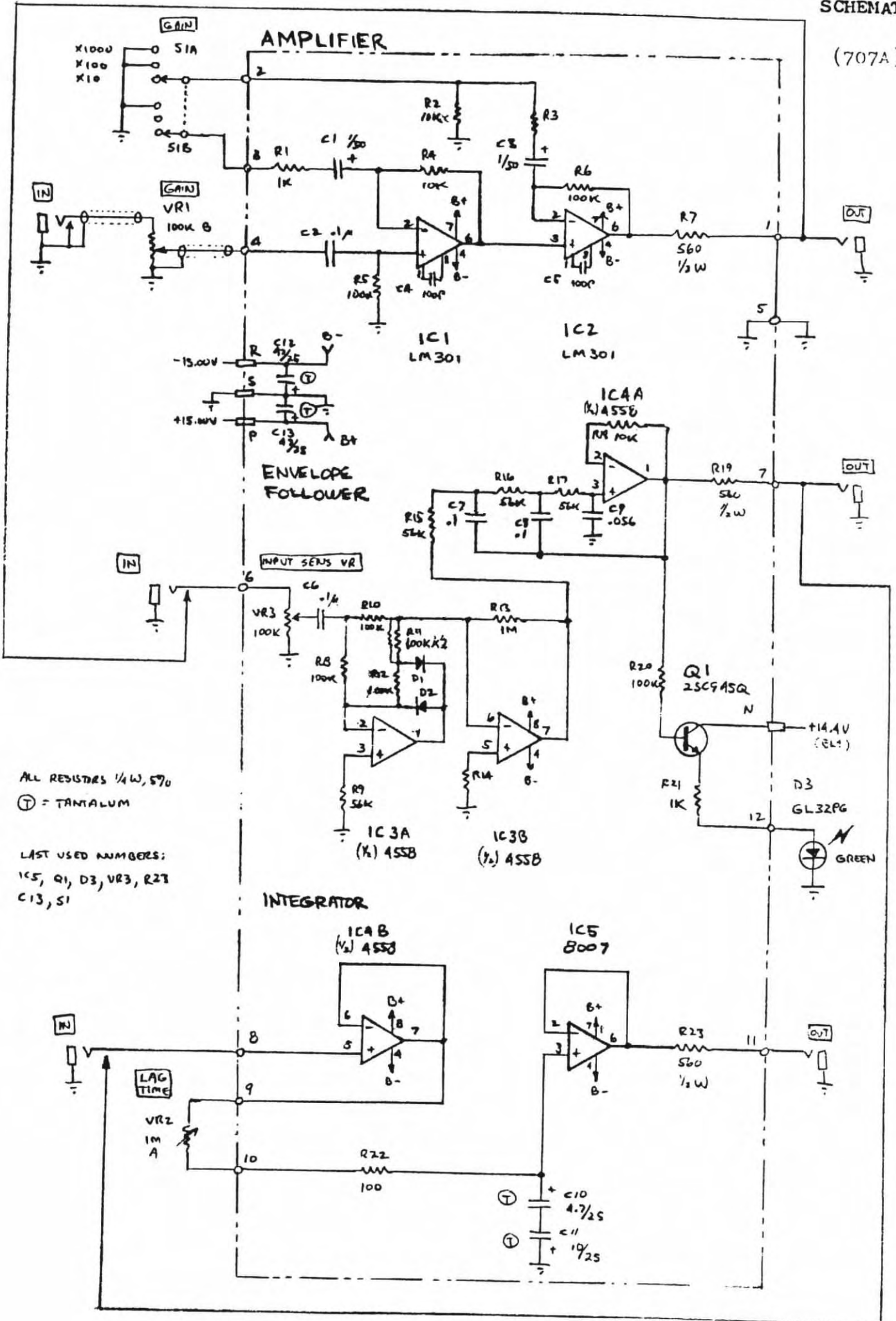
706B LFO-2 ONLY

706A LFO-1 ONLY

LFO-1 OUT

OUT 706B LFO-2 ONLY

(707A)



ALL RESISTORS 1/4W, 5%
 ⊕ = TANTALUM

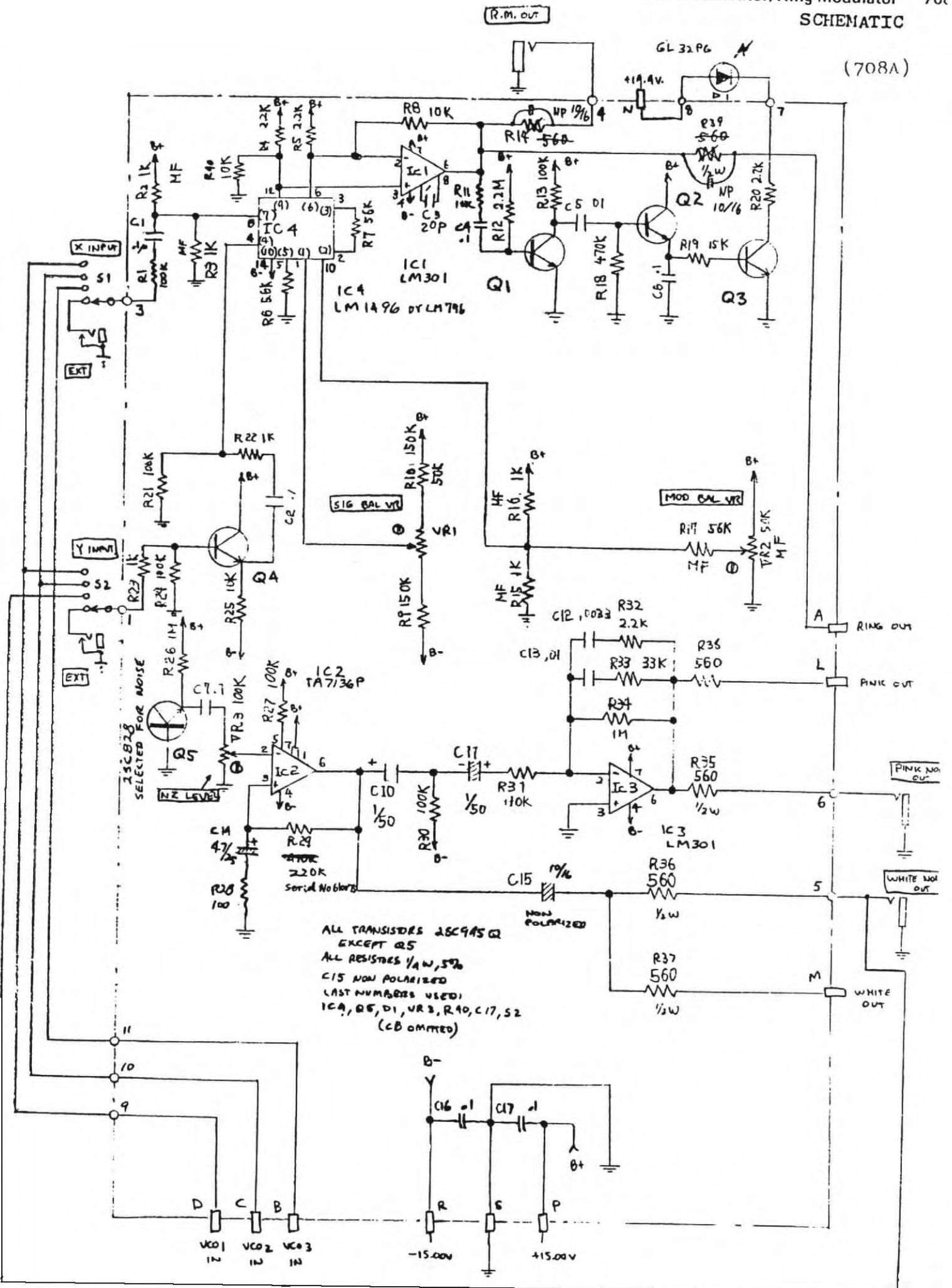
LAST USED NUMBERS:
 IC5, Q1, D3, VR3, R23
 C13, S1

AMPLIFIER

ENVELOPE FOLLOWER

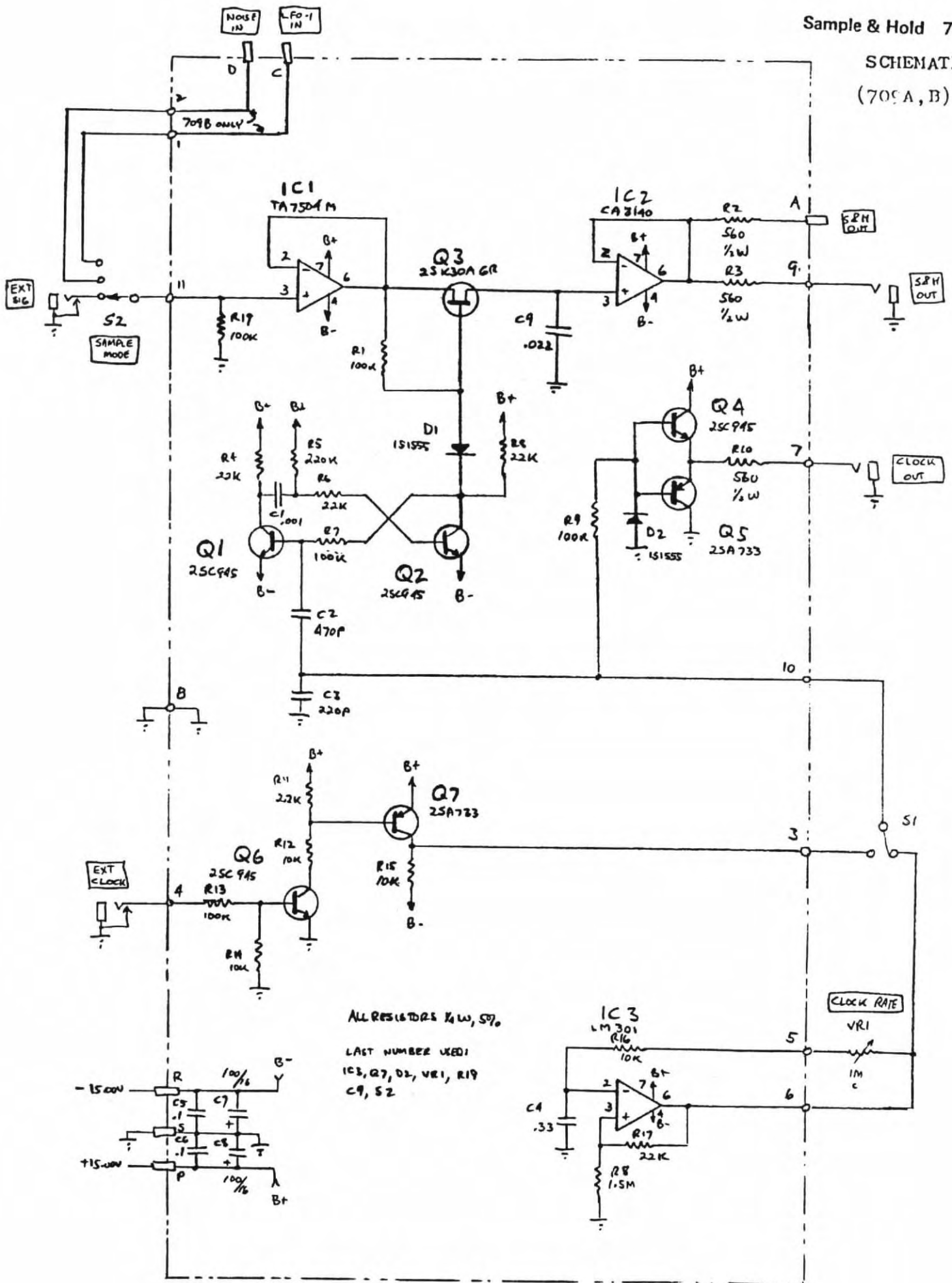
INTEGRATOR

(708A)

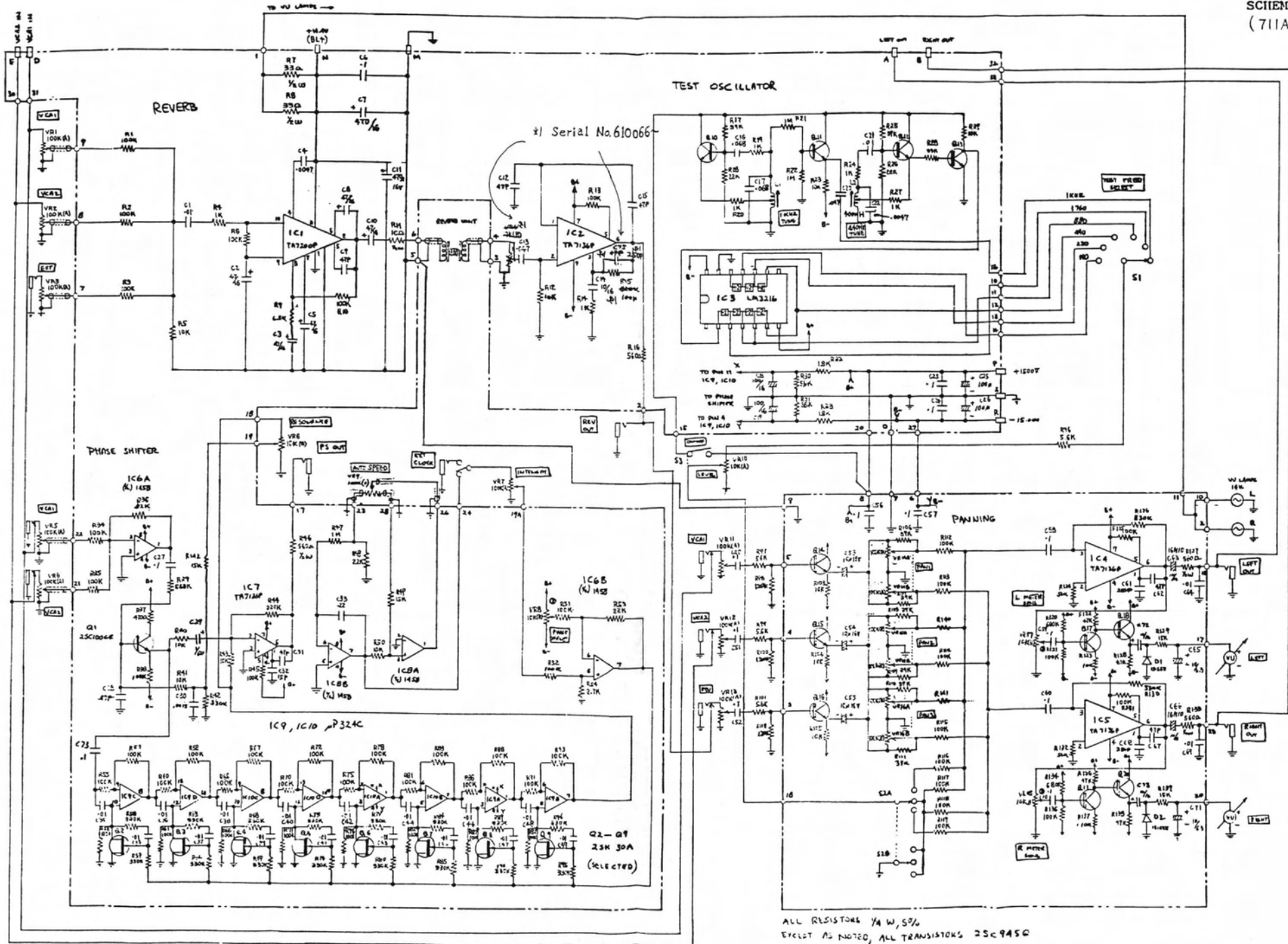


ALL TRANSISTORS 2SC945 Q1
EXCEPT Q5
ALL RESISTORS 1/4W, 5%
C15 NON POLARIZED
LAST NUMBERS USED:
IC1, Q1, D1, UR3, R40, C17, 52
(C8 OMITTED)

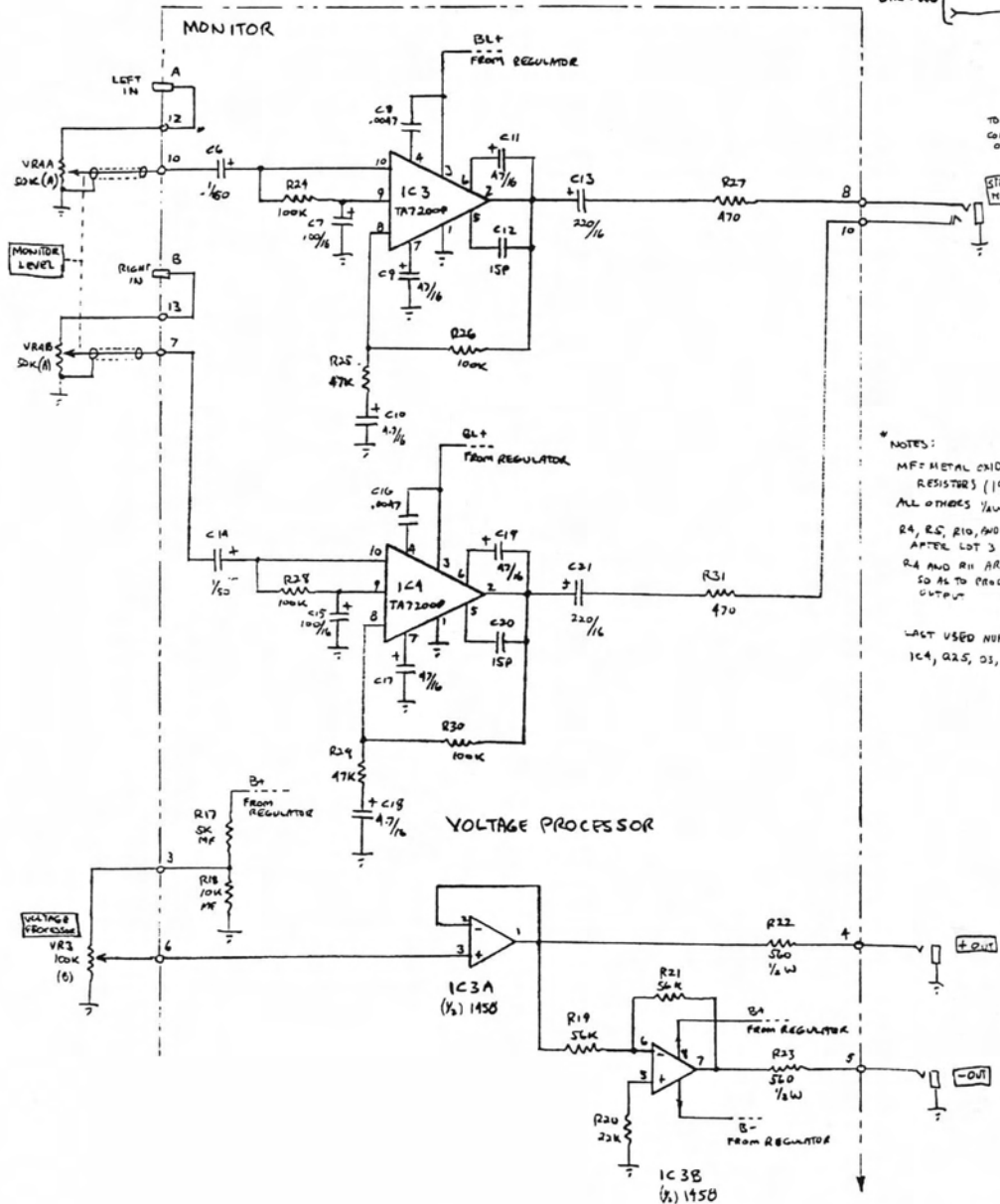
Sample & Hold 70
 SCHEMATIC
 (709A, B)



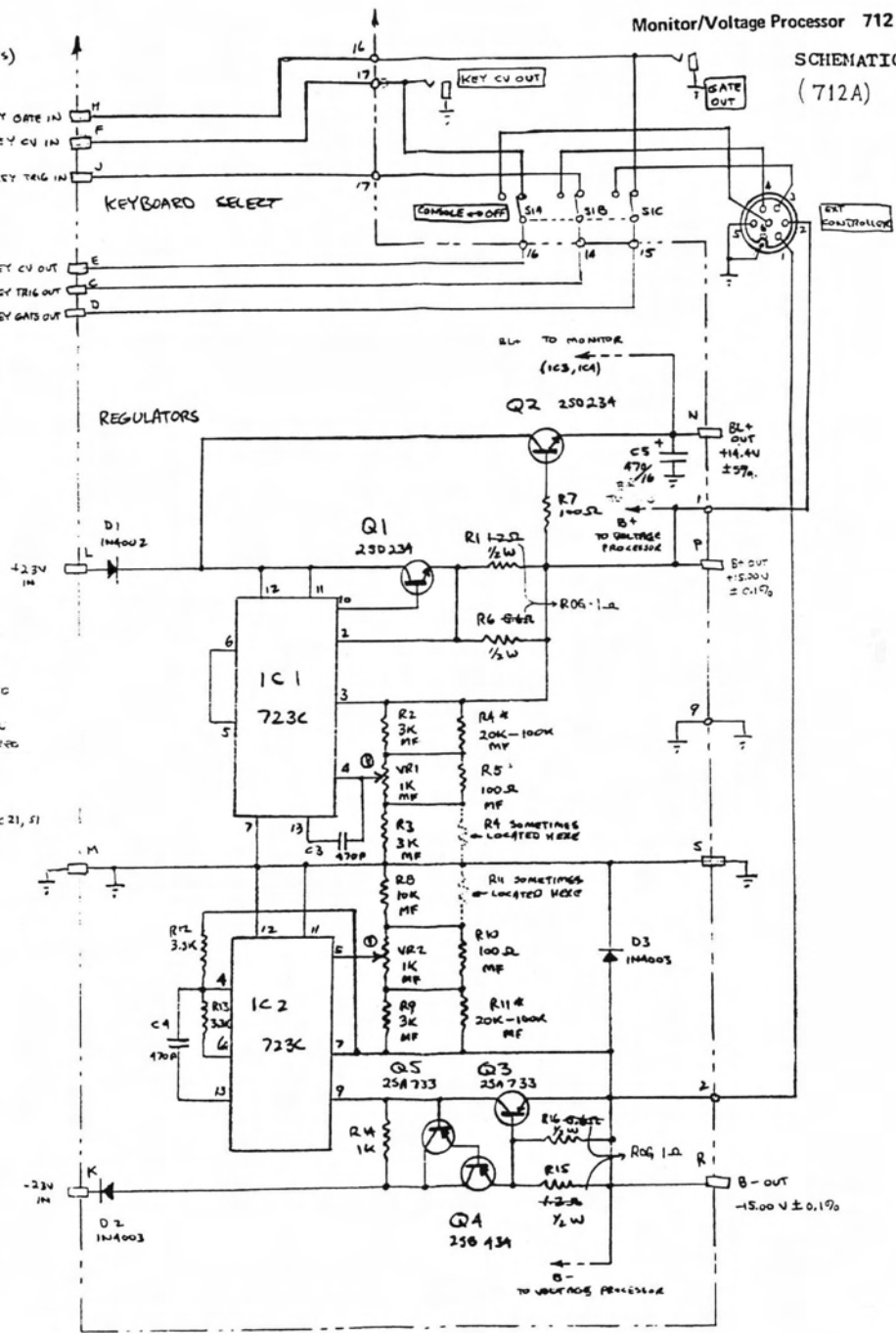
ALL RESISTORS 1/4W, 5%,
 LAST NUMBER USED!
 IC3, Q7, D2, VR1, R19
 C9, S2



ALL RESISTORS 1/4 W, 5%
EXCEPT AS NOTED, ALL TRANSISTORS 2SC945C



* NOTES:
 MF: METAL FILM
 RESISTORS (1%)
 ALL OTHERS 1/4W 5%.
 R4, R5, R10, AND R11 APPLYING
 AFTER LOT 3
 R4 AND R11 ARE SELECTED
 SO AS TO PRODUCE REQUIRED
 OUTPUT
 LAST USED NUMBERS
 IC4, Q2, Q3, VR4, R31, C21, S1



TO BWS PLUGS
(TO OTHER BLOCKS)

FROM REAR KEYBOARD DIN PLUG

KEY ORTE IN
 KEY CV IN
 KEY TRIG IN

KEYBOARD SELECT

KEY CV OUT
 KEY TRIG OUT
 KEY GATS OUT

TO MON CONSOLE ONLY

BL+ TO MONITOR (IC3, IC4)

Q2 250 234

Q1 250 234

Q3 25A 733

Q4 250 234

IC1 723C

IC2 723C

IC3A (1/2) 1450

IC3B (1/2) 1450

VR1 1K MF

VR2 1K MF

VR3 100K MF

VR4 100K MF

R1 1.2Ω 1/2W

R2 3K MF

R3 3K MF

R4 20K-100K MF

R5 100Ω MF

R6 50Ω 1/2W

R7 100Ω

R8 10K MF

R9 3K MF

R10 100Ω MF

R11 20K-100K MF

R12 3.5K

R13 33K

R14 1K

R15 1.2Ω 1/2W

R16 1.2Ω 1/2W

R17 5K MF

R18 10K MF

R19 5K

R20 22K

R21 5K

R22 500 1/2W

R23 500 1/2W

R24 100K

R25 47K

R26 100K

R27 470

R28 100K

R29 47K

R30 100K

R31 470

C1 100µF

C2 100µF

C3 470P

C4 1000µF

C5 1000µF

C6 100µF

C7 100µF

C8 100µF

C9 47µF

C10 47µF

C11 47µF

C12 15P

C13 220µF

C14 100µF

C15 100µF

C16 100µF

C17 47µF

C18 47µF

C19 47µF

C20 15P

C21 220µF

D1 1N4002

D2 1N4003

D3 1N4003

F1

F2

F3

F4

F5

F6

F7

F8

F9

F10

F11

F12

F13

F14

F15

F16

F17

F18

F19

F20

F21

F22

F23

F24

F25

F26

F27

F28

F29

F30

F31

F32

F33

F34

F35

F36

F37

F38

F39

F40

F41

F42

F43

F44

F45

F46

F47

F48

F49

F50

F51

F52

F53

F54

F55

F56

F57

F58

F59

F60

F61

F62

F63

F64

F65

F66

F67

F68

F69

F70

F71

F72

F73

F74

F75

F76

F77

F78

F79

F80

F81

F82

F83

F84

F85

F86

F87

F88

F89

F90

F91

F92

F93

F94

F95

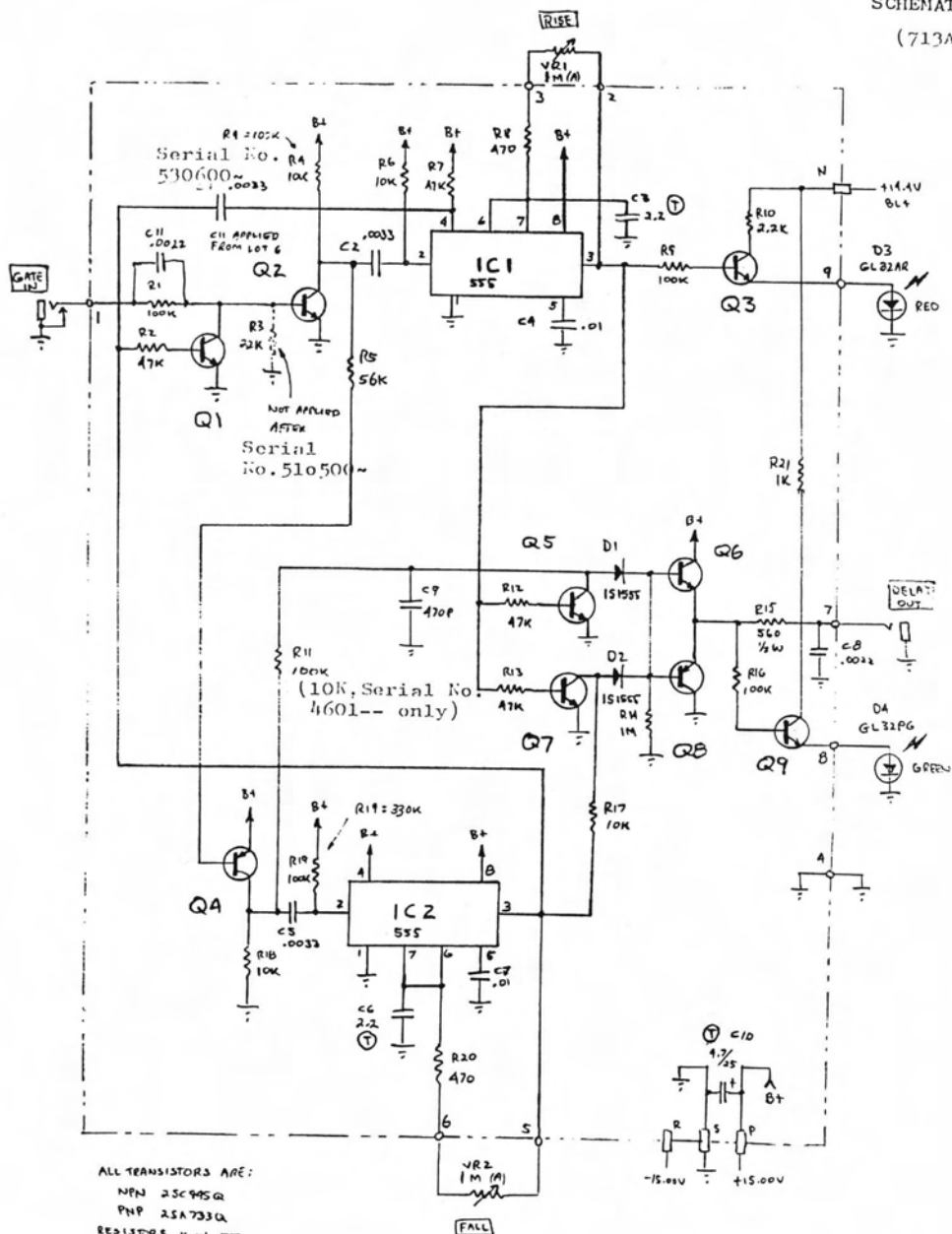
F96

F97

F98

F99

F100

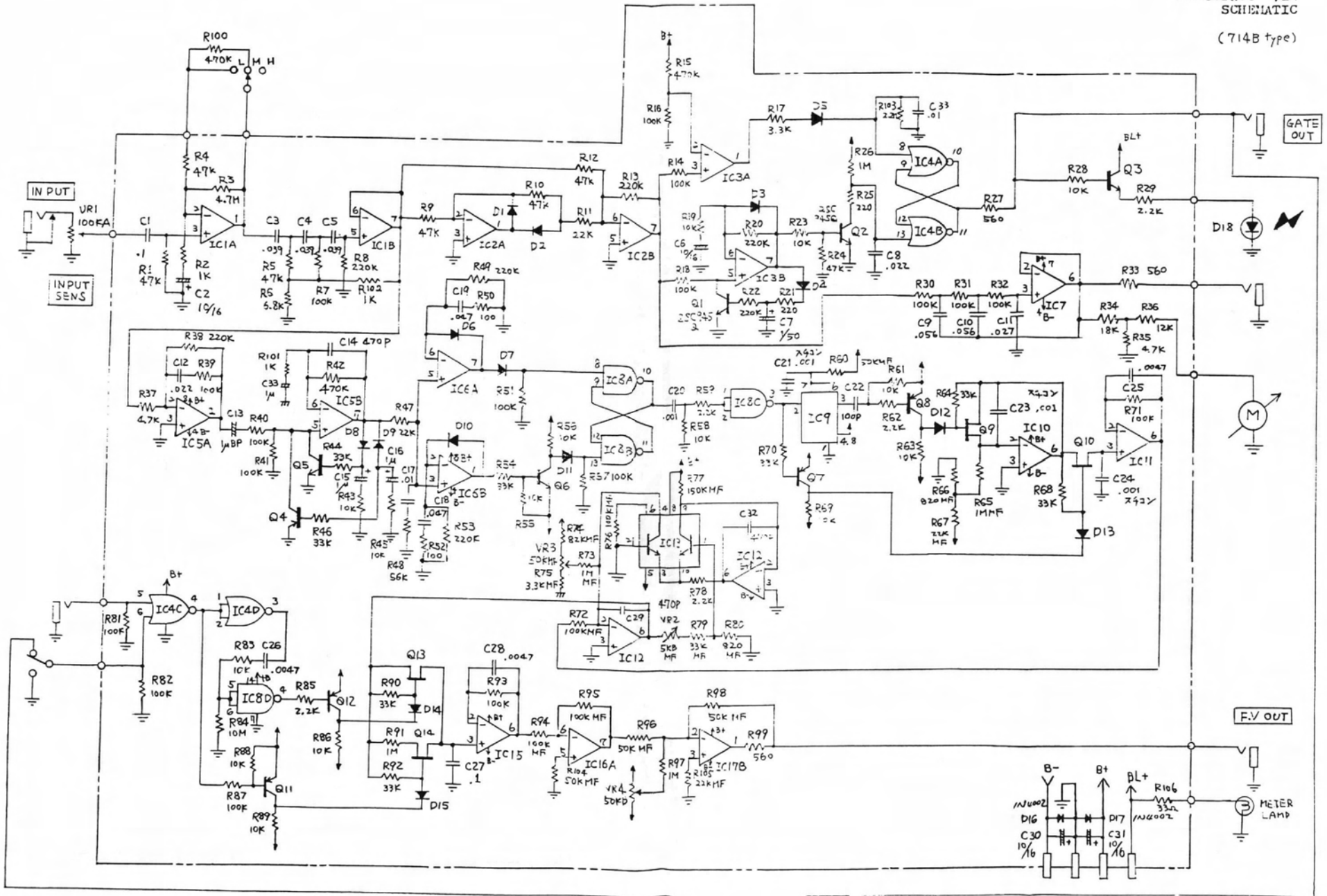


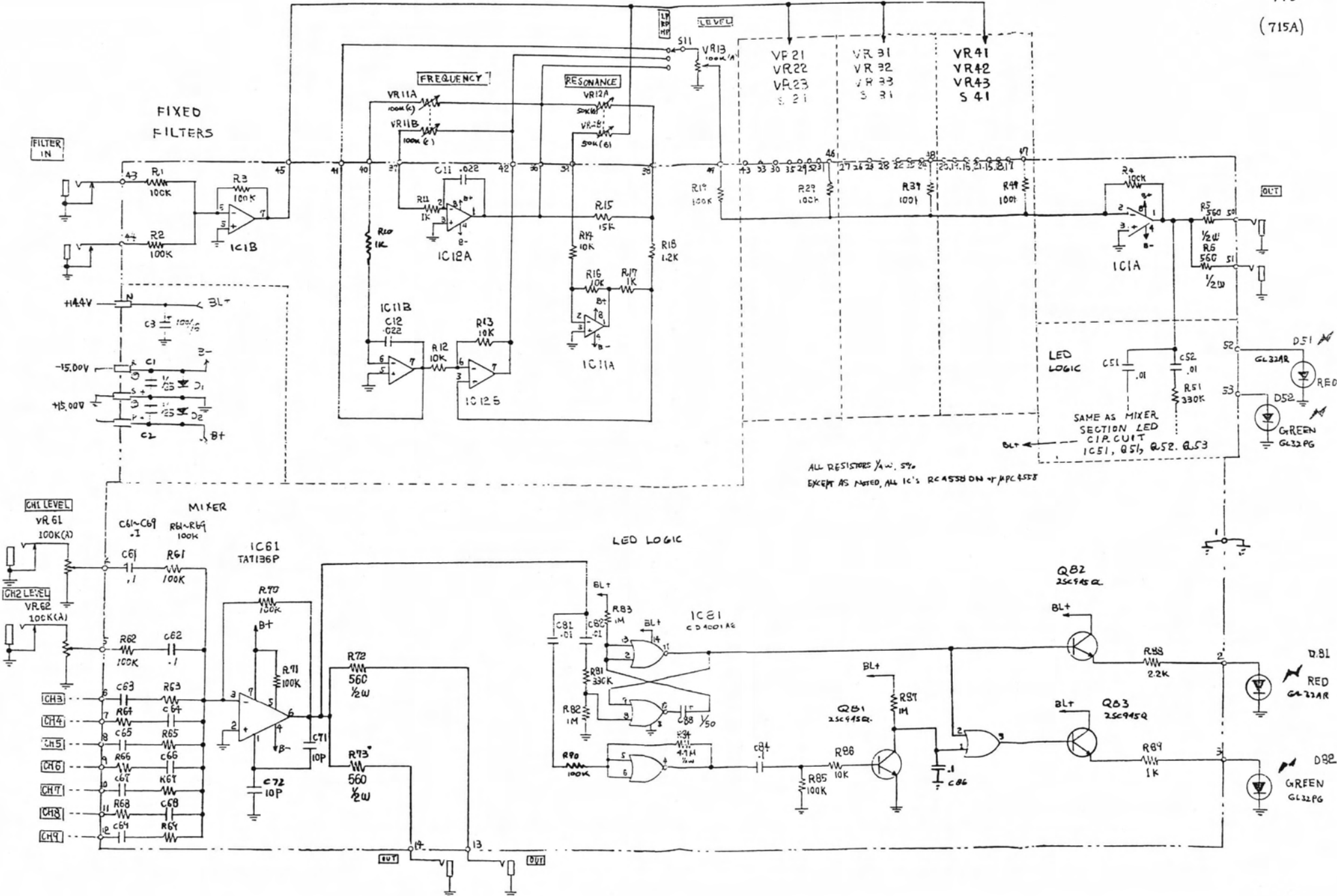
ALL TRANSISTORS ARE:
NPN 2SC945Q
PNP 2SA733Q
RESISTORS 1/4W, 5%
Ⓢ = TANTALUM

LMT USED NUMBERS: Q9, Q4, VR2, R21, C11

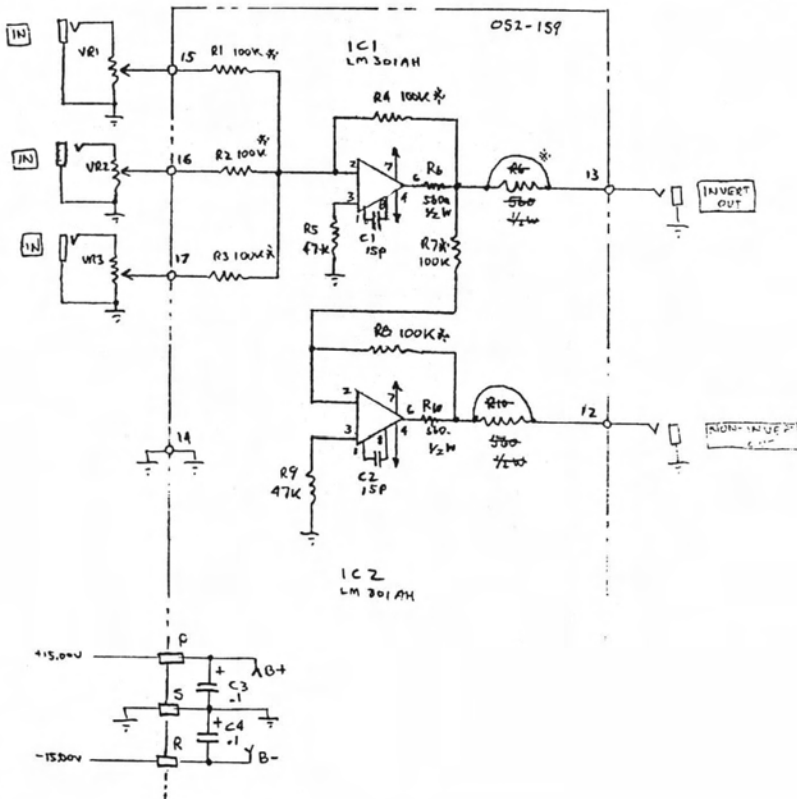
Interface 714
SCHEMATIC

(714B type)





* Matched chosen .1% MF
Serial No. 530600~



NOTES:

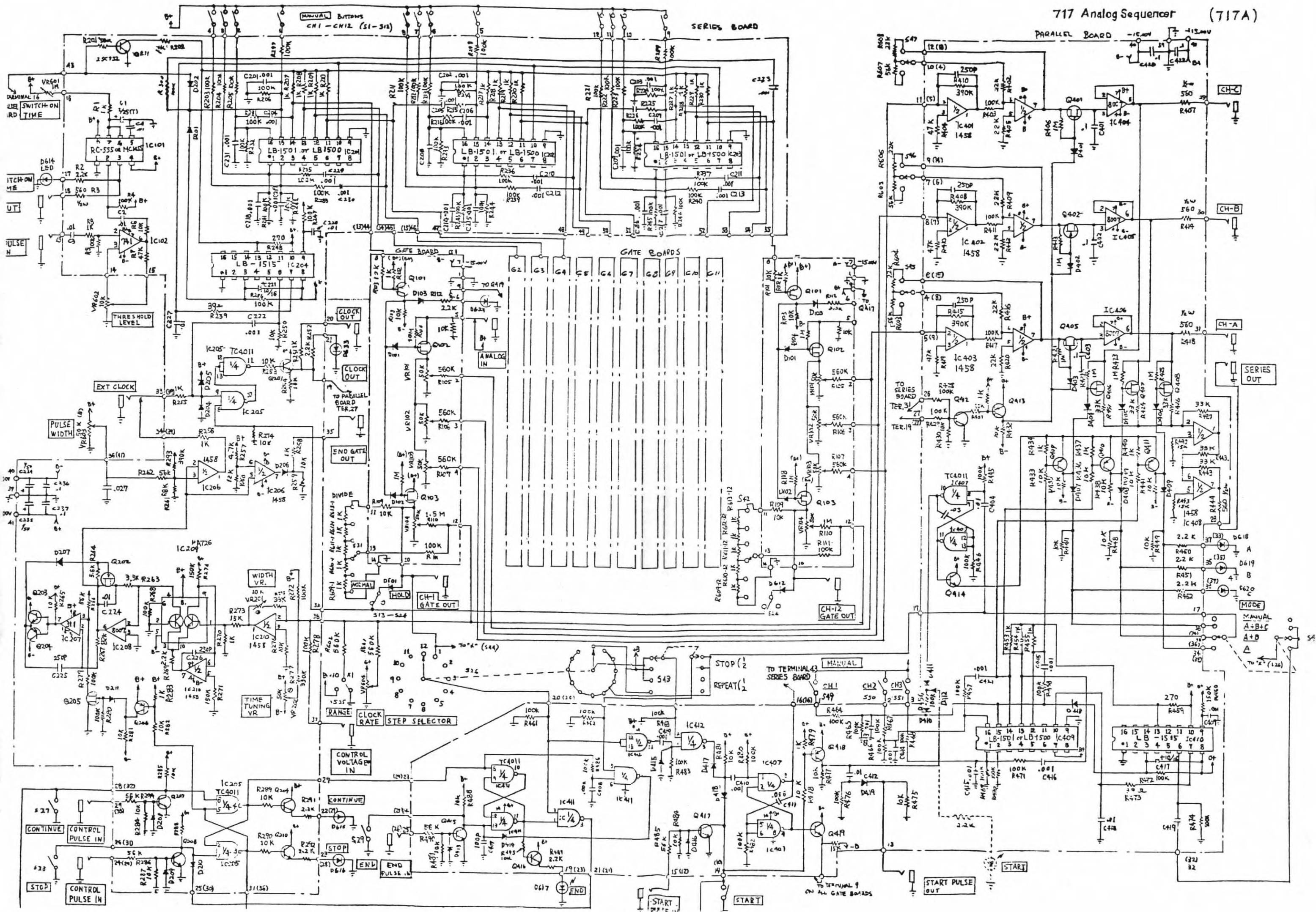
ALL RESISTERS 1/4 W 5%, EXCEPT R6, R10

THE 052-129 CIRCUIT BOARD IS ALSO USED FOR THE 709 S/H CIRCUIT

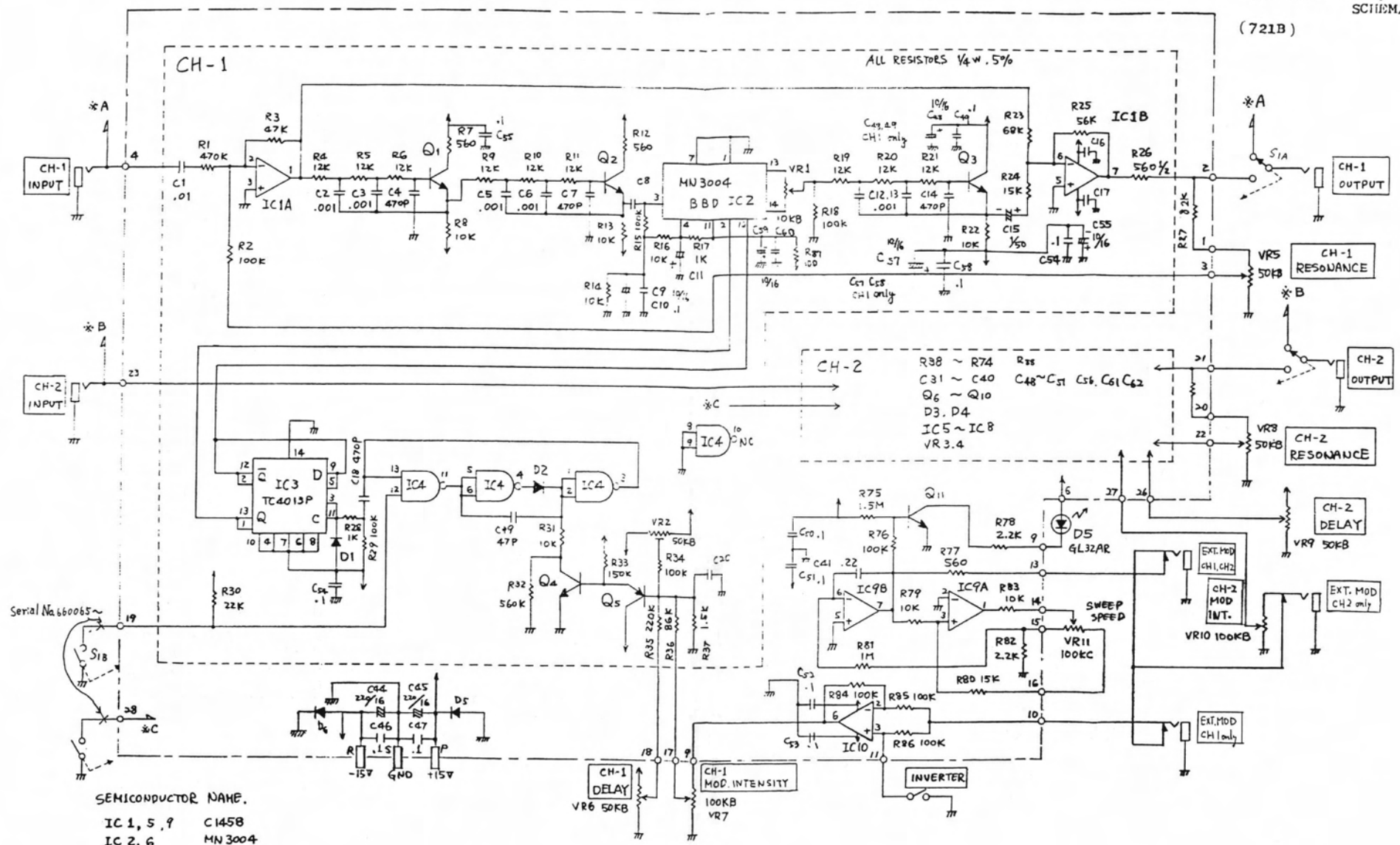
LAST USED NUMBERS:

IC2, VR3, R10, C4

717 Analog Sequencer (717A)



2CH Audio Delay 721
SCHEMATIC
(721B)



SEMICONDUCTOR NAME.

IC 1, 5, 9	CI458
IC 2, 6	MN3004
IC 3, 7	TC4013P
IC 4, 8	TC4011P
IC 9	TA7504M
Q1-3, 6-8	2SC1000 9R
Q4, 9, 11	2SC945Q
Q5, 10	2SA733Q
D1-4	1S2473

SCHEMATIC
(723A)