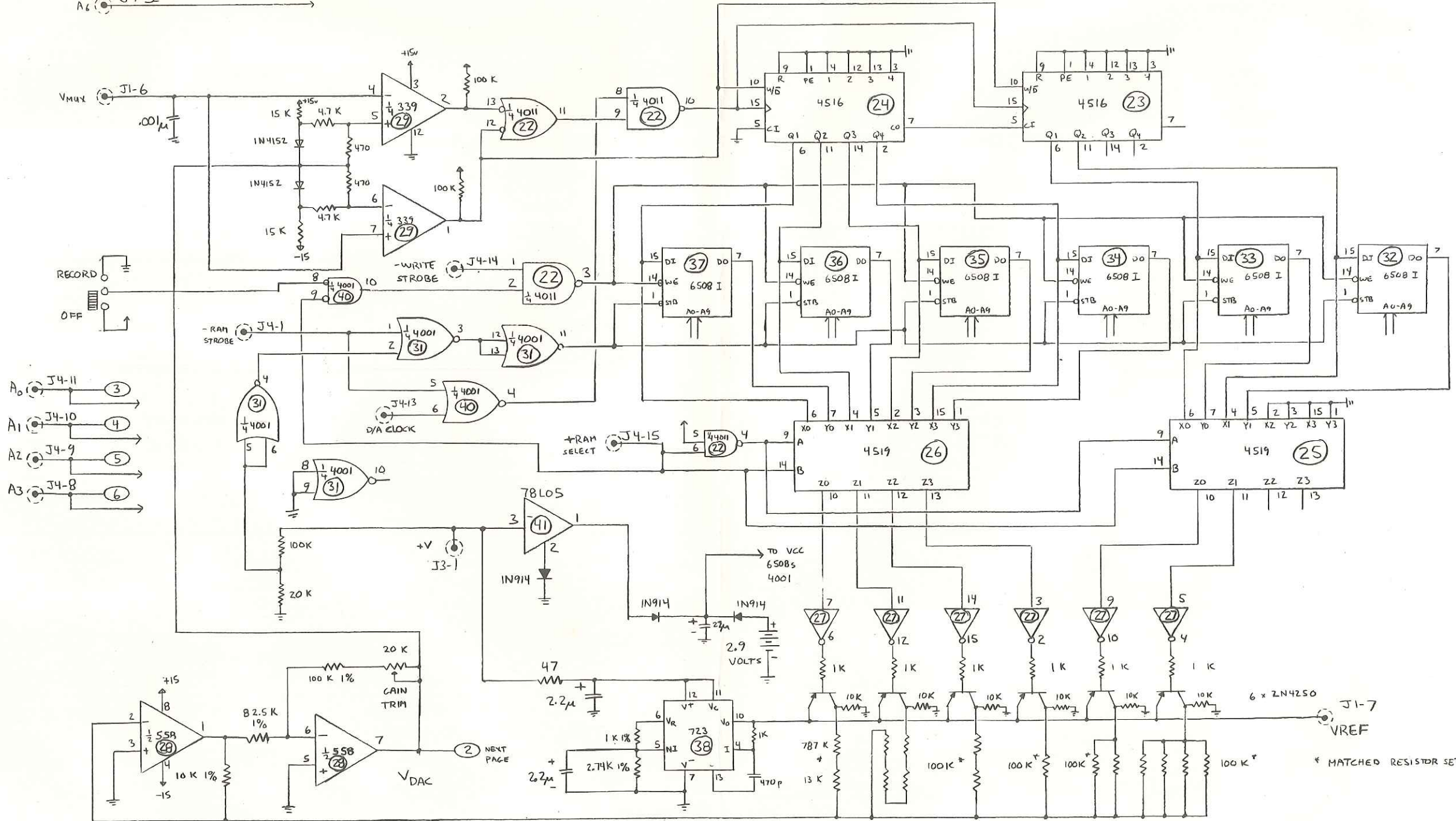
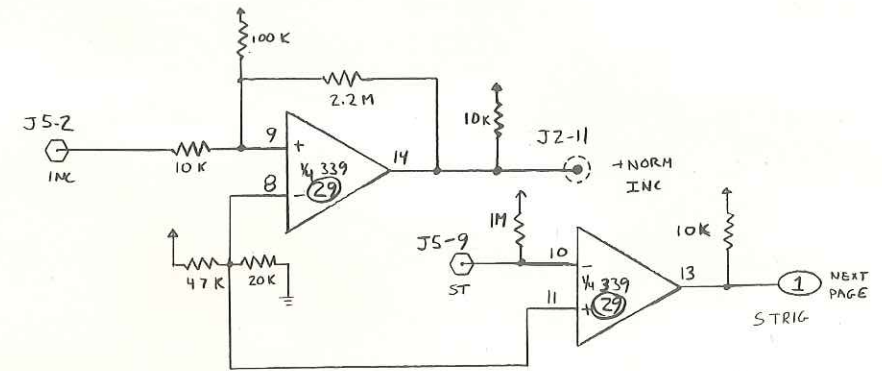
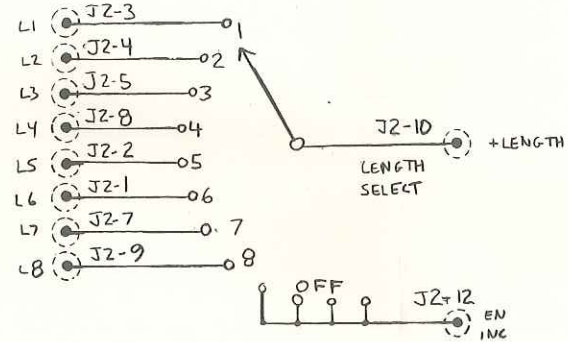
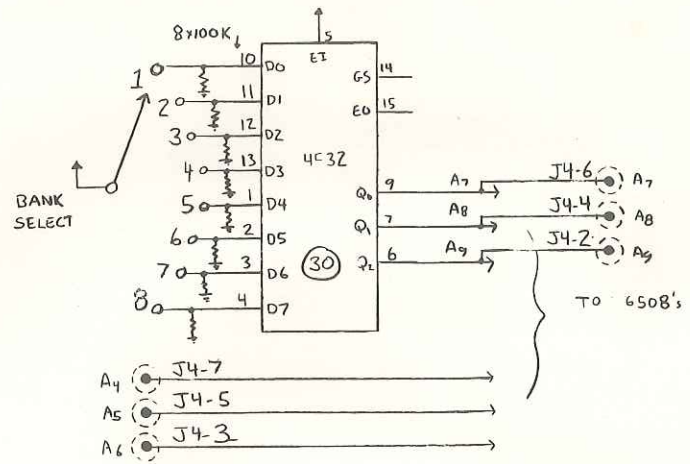
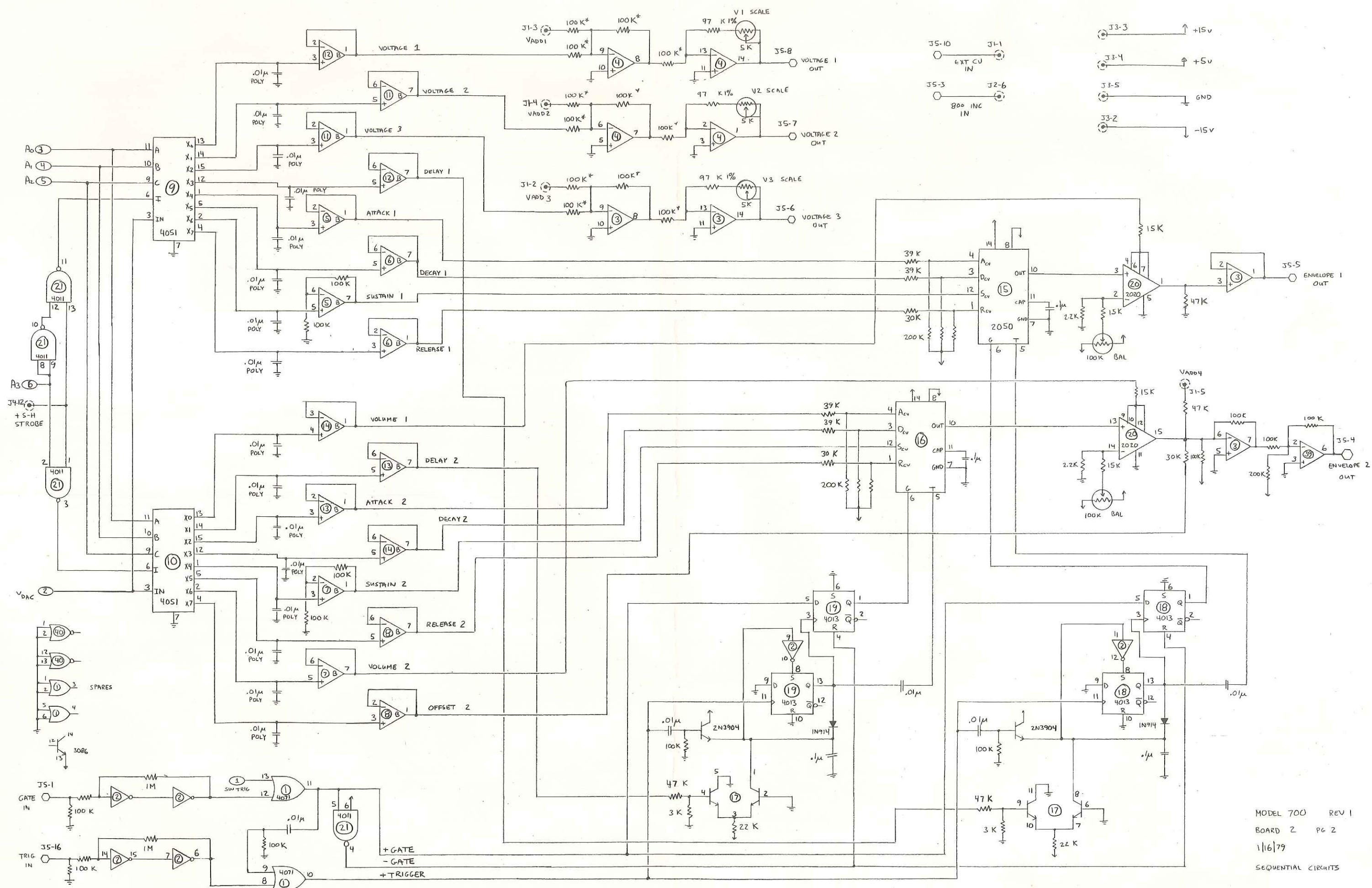


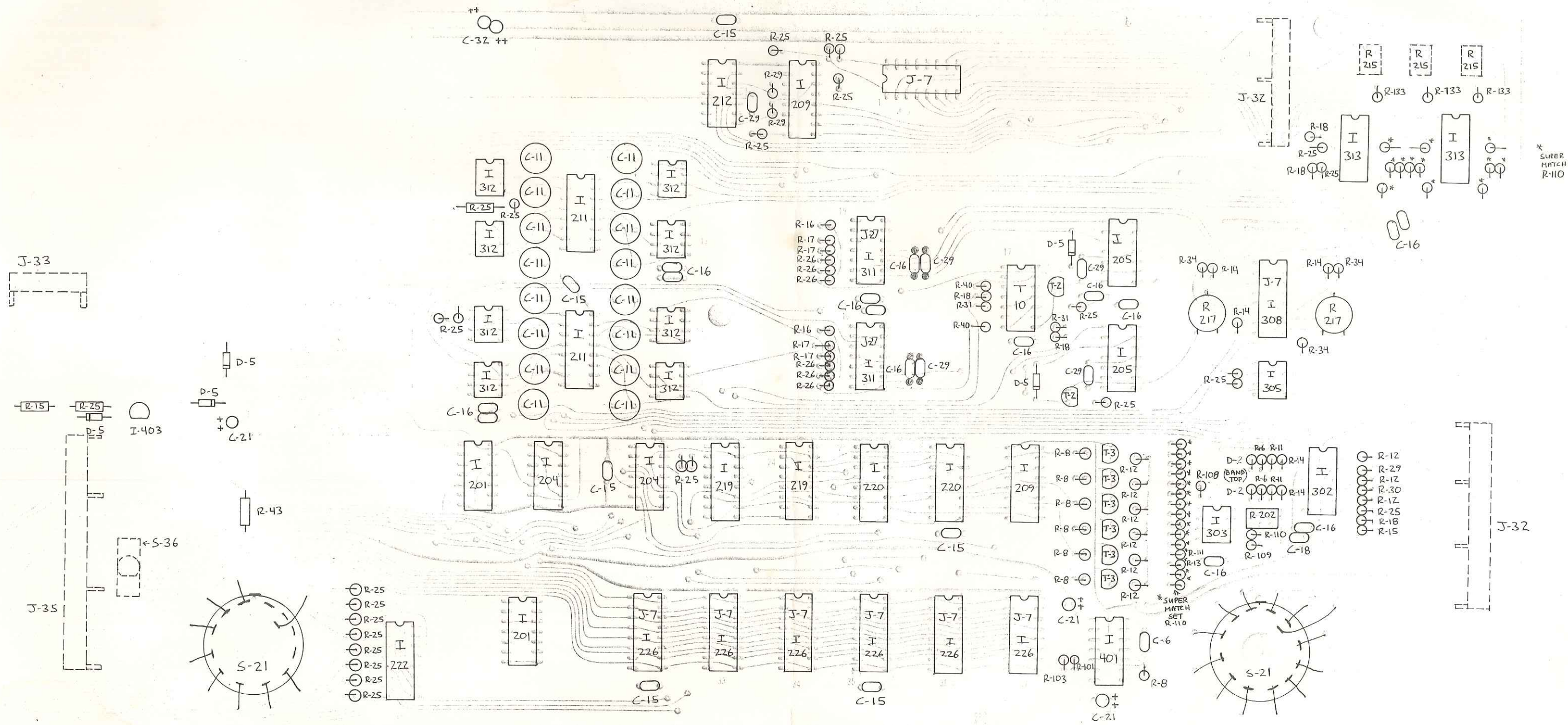
MODEL 700  
 BOARD 1 Rev 1  
 SEQUENTIAL CIRCUITS  
 113179



- 6508  
 A<sub>0</sub> - 2  
 A<sub>1</sub> - 3  
 A<sub>2</sub> - 4  
 A<sub>3</sub> - 5  
 A<sub>4</sub> - 6  
 A<sub>5</sub> - 9  
 A<sub>6</sub> - 10  
 A<sub>7</sub> - 11  
 A<sub>8</sub> - 12  
 A<sub>9</sub> - 13



MODEL 700 REV 1  
 BOARD 2 PG 2  
 1/16/79  
 SEQUENTIAL CIRCUITS



BEND TABS ON S-21  
AS MUCH AS POSSIBLE.  
CUT UNUSED TABS OFF.

BEND TABS ON S-21  
AS MUCH AS POSSIBLE.

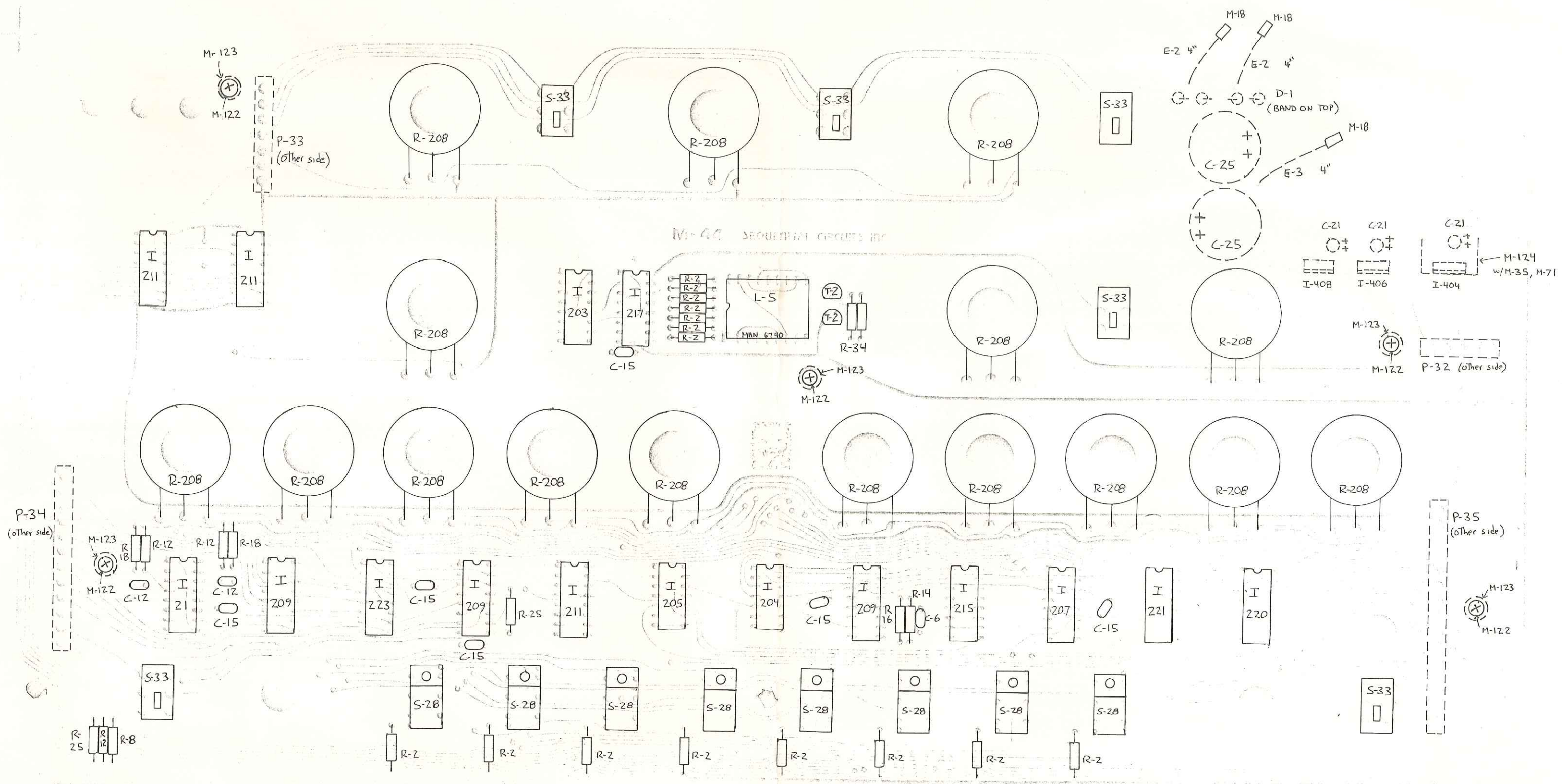
BOARD 2

MODEL 700  
Doc. No. PP112

REV 1.0

1/29/79

UNLESS OTHERWISE SPECIFIED DIMENSIONS ARE IN INCHES TOLERANCES ARE: FRACTIONS DECIMALS ANOLES MATERIAL		J H G F E D C B A		<b>SEQUENTIAL CIRCUITS INC</b>	
FINISH		DATE		TITLE	
1/29/79		1/29/79		BOARD 2 - ASS'Y DIAGRAM	
001 104		I.O		MODEL No. 700	
FIRST LAST S/N		DATE		DOCUMENT No. PP112	
SCALE 2:1		REVISION		SHEET 1 OF 1	



BOARD 1

MODEL 700

REV 1

1/29/79

UNLESS OTHERWISE SPECIFIED DIMENSIONS ARE IN INCHES TOLERANCES ARE: FRACTIONS DECIMALS ANGLES XX 1/2		J H G F E D C B A ISS		<b>SEQUENTIAL CIRCUITS INC</b>	
MATERIAL		TITLE		BOARD 1 - ASS'Y DIAGRAM	
FINISH		DATE		MODEL NO. 700	
105		1/29/79		DWG NO. PP111	
001/04		O.O		APP	
SCALE 2:1		DATE		REVISION	
FIRST LAST 3/N		DATE		REVISION	