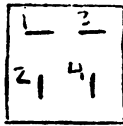


KT
IN

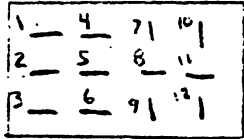


PIN

FUNCTION

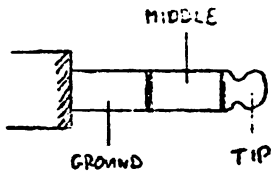
1	GROUND
2	+ STOP IN
3	- SLAVE SELECT (SELECT EXT CLOCK)
4	CLOCK IN

EXT 1
OUT



1	+ ADDRESS ϕ
2	+ ADDRESS 1
3	+ ADDRESS 2
4	+ ADDRESS 3
5	+ ADDRESS 4
6	+ ADDRESS 5
7	+ ADDRESS 6
8	+ ADDRESS 7
9	+ RECORD
10	+ STORE ANALOG
11	N.C.
12	GROUND

EXT 2
OUT

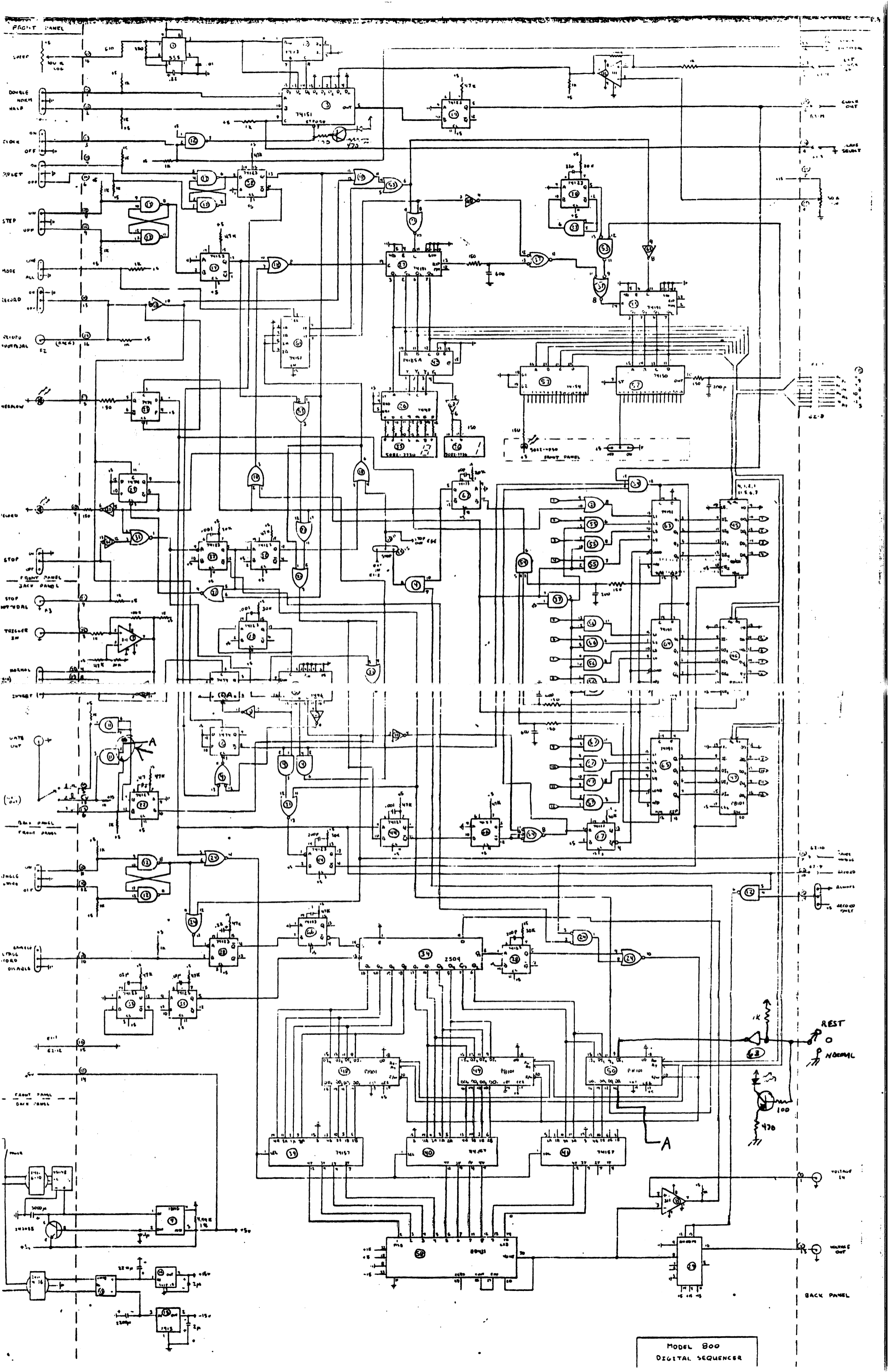


MIDDLE	CLOCK OUT
TIP	+ STOP OUT

All inputs and outputs are TTL levels,
EXCEPT CLOCK IN.

INTERFACE
CONNECTIONS

MODEL 800



MODEL 800
DIGITAL SEQUENCER