

DK 70

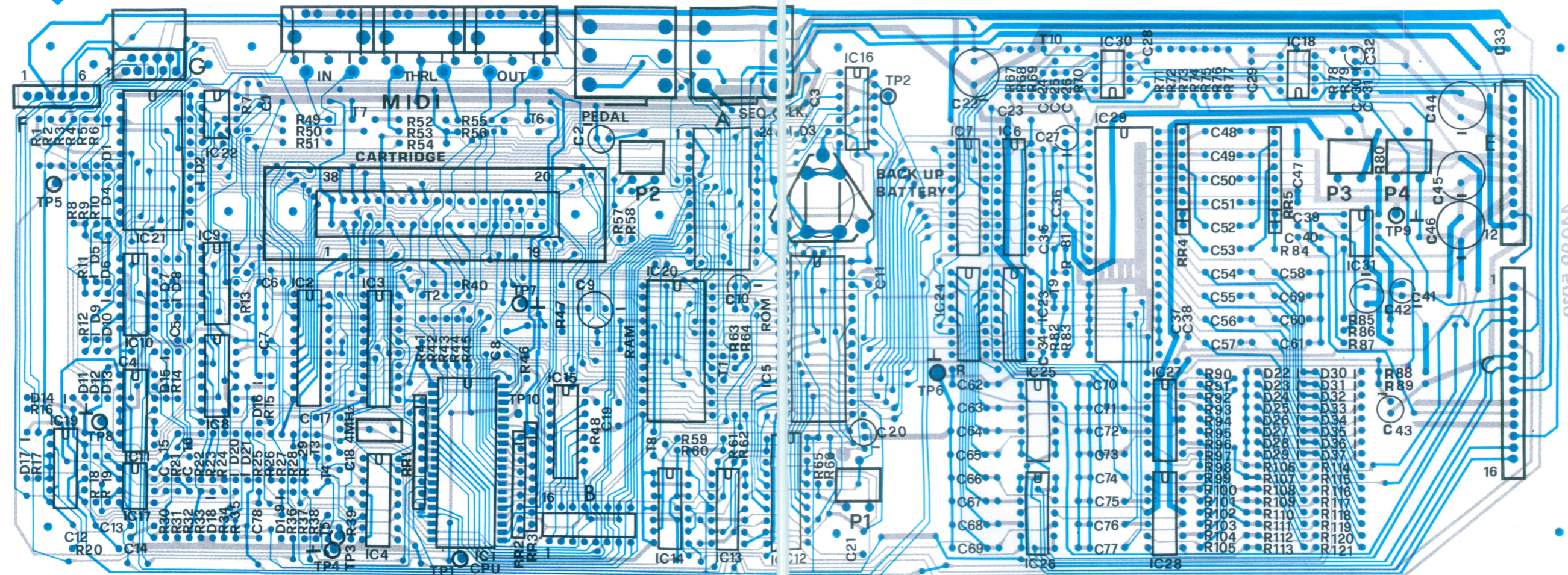
PROGRAMMABLE MIDI SYNTHESIZER

SIEL SpA RESERVES THE RIGHT TO IMPROVE AND ALTER,
WITHOUT PRIOR NOTICE,
THE FEATURES OF THE INSTRUMENT

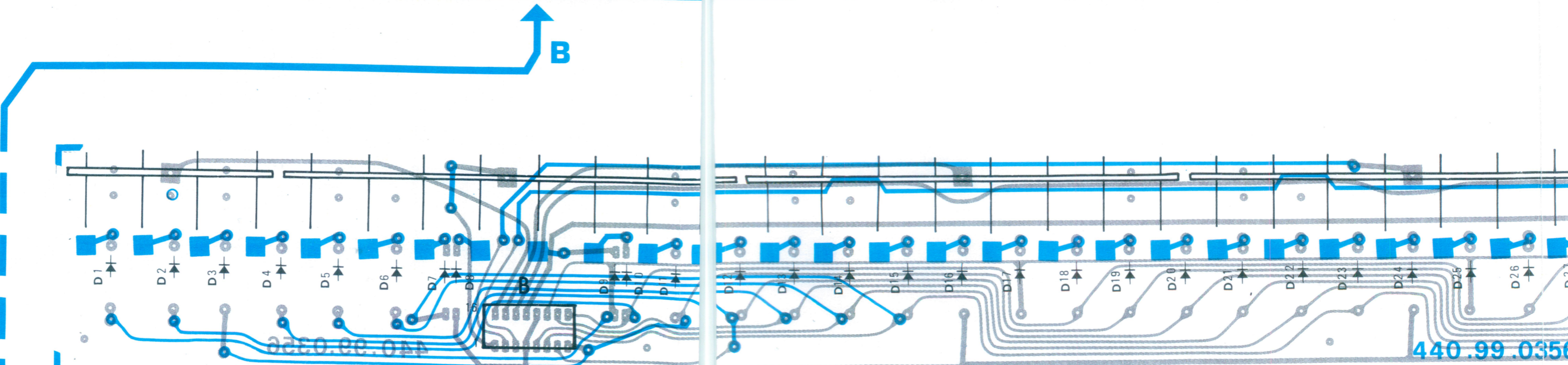
UPDATED : **OCTOBER** 1985

PITCH

CPU BOARD



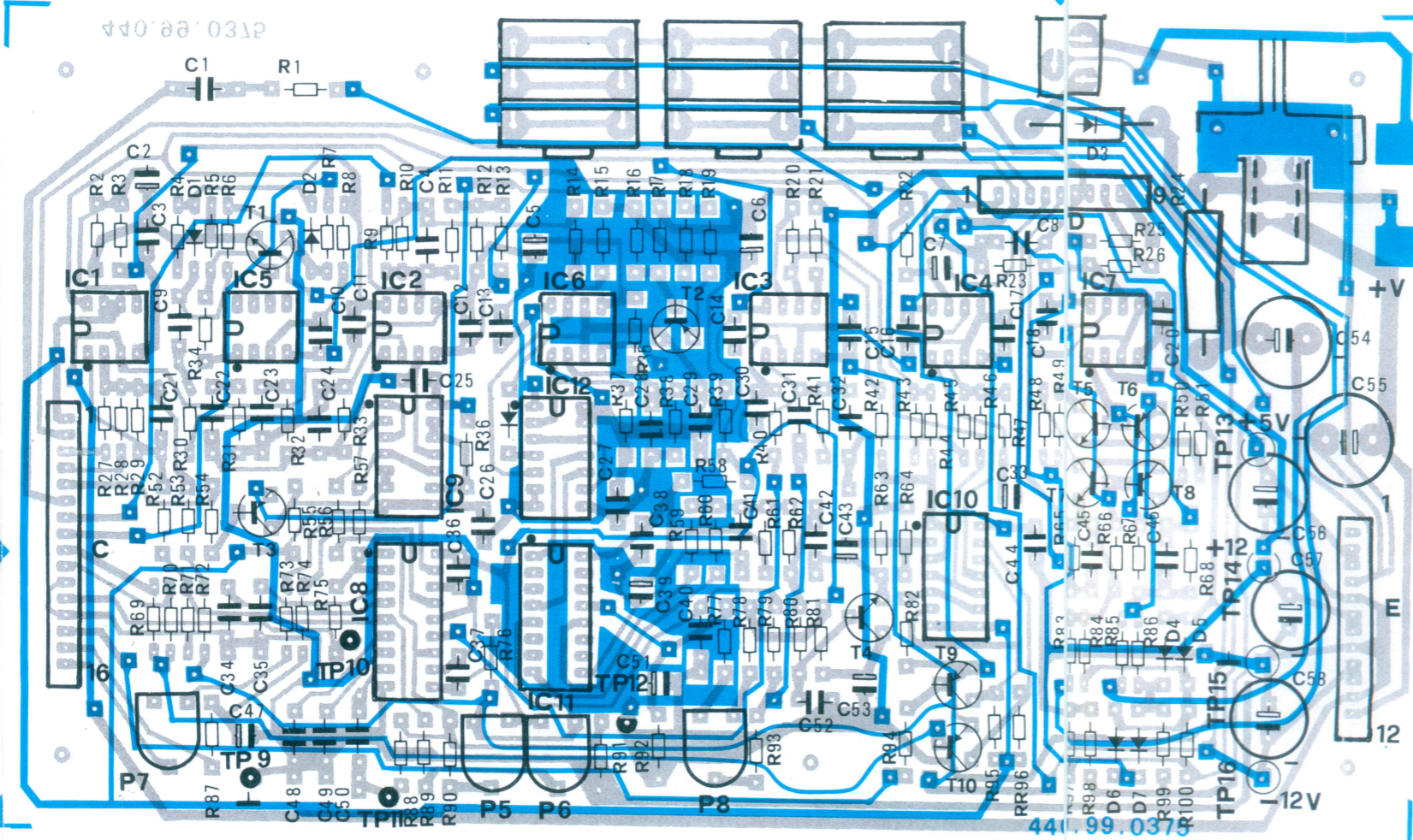
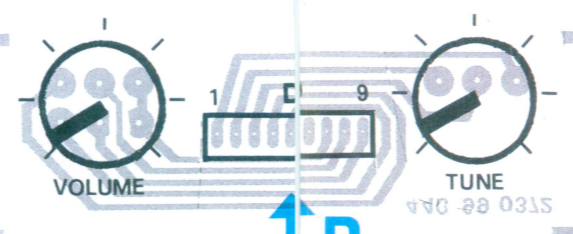
440.99.5019 8F02.EE.044



440.99.0356

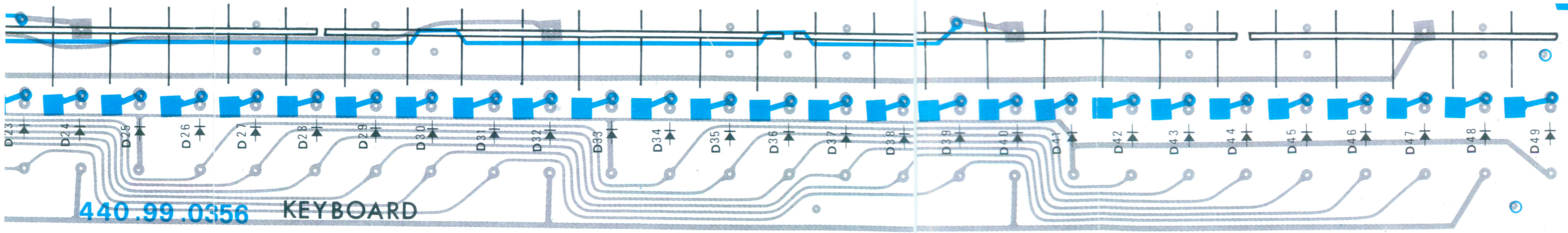
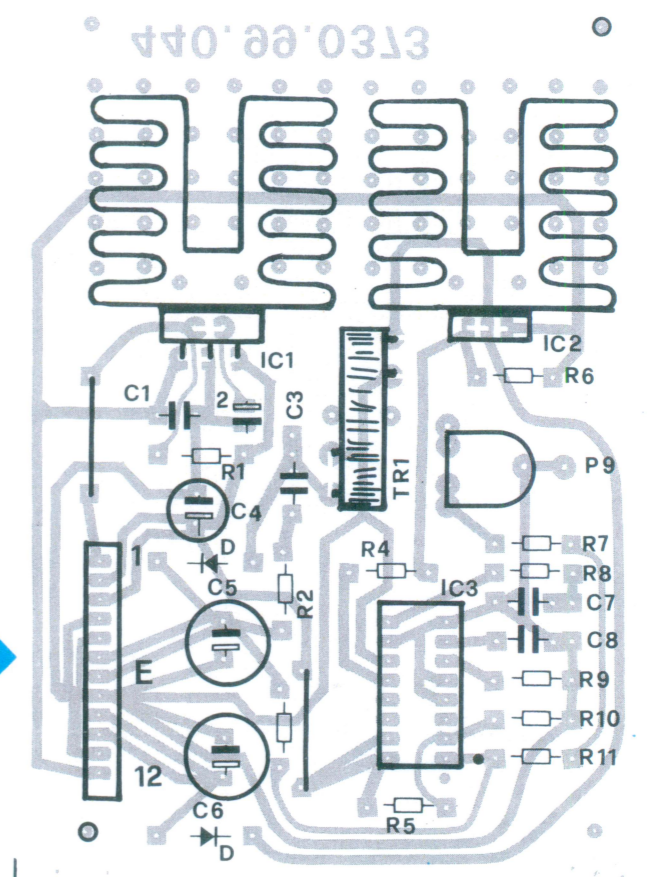
KEYBOARD

CONTROLS BOARD



GENERATION BOARD

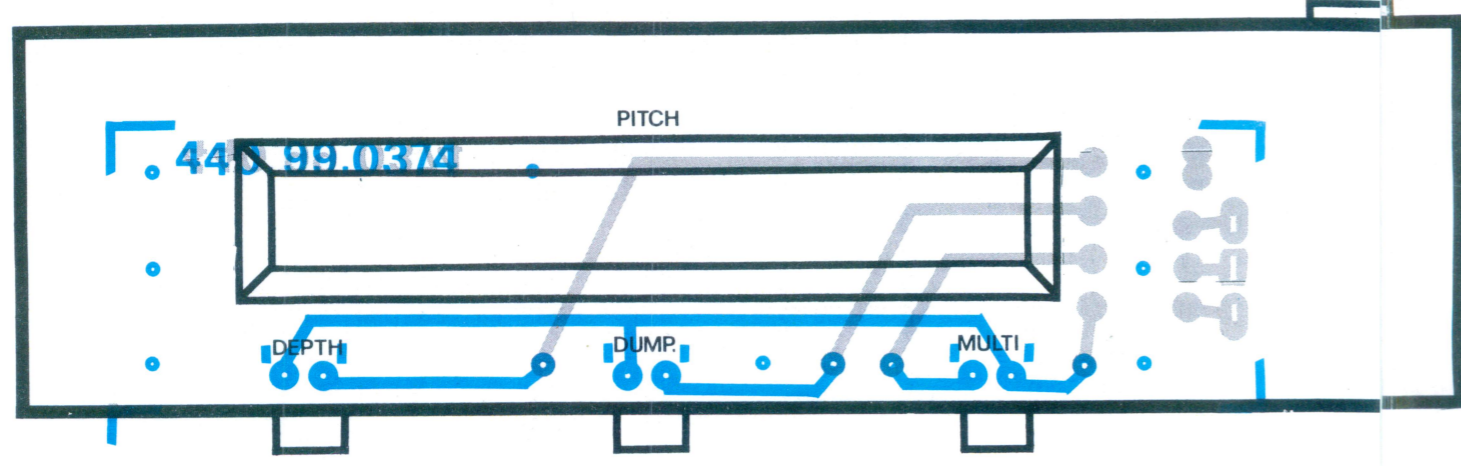
POWER SUPPLY BOARD



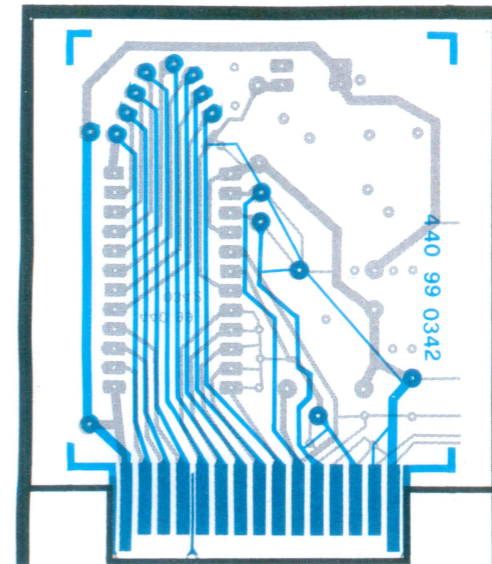
440.99.5019 ef02.ee.0A4

440.99.0356 KEYBOARD

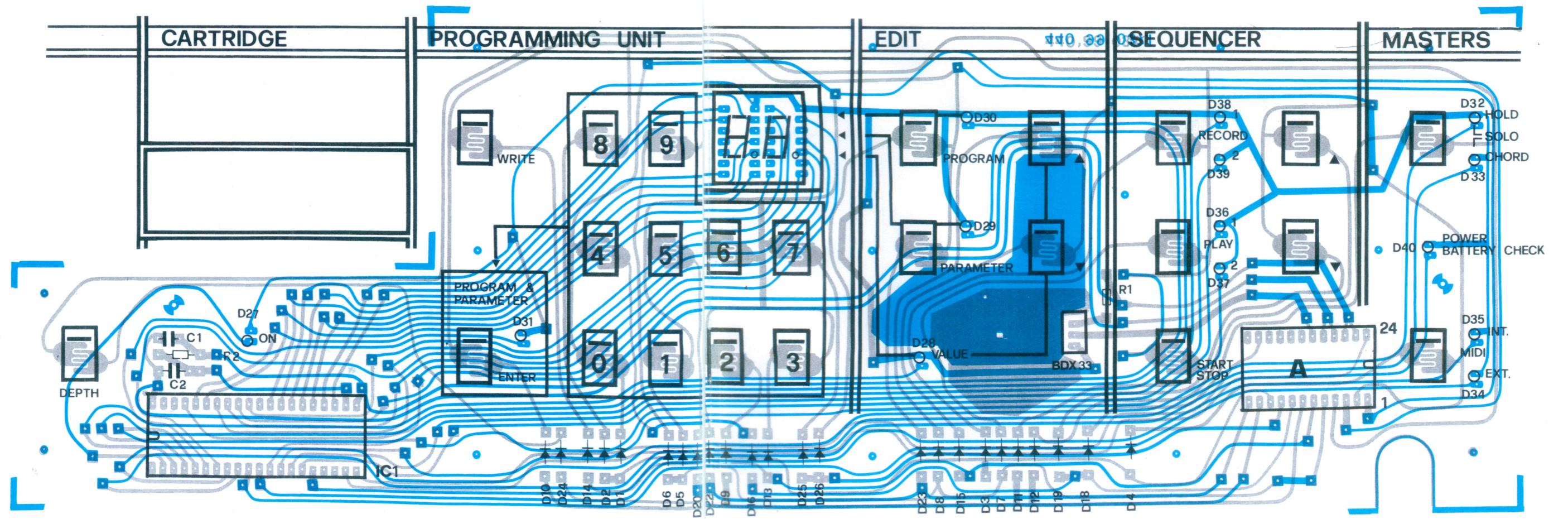
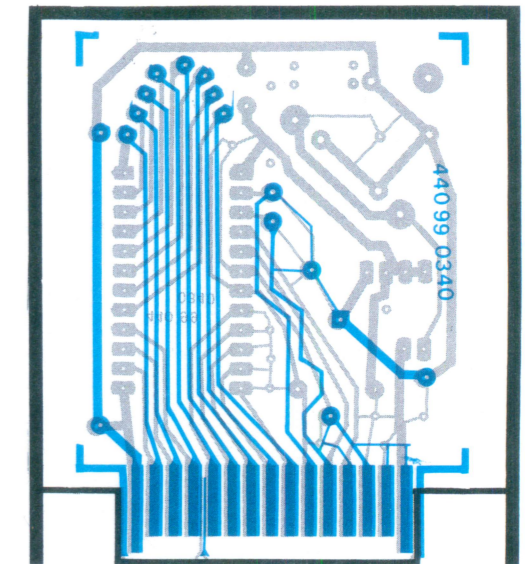
STAGE SET



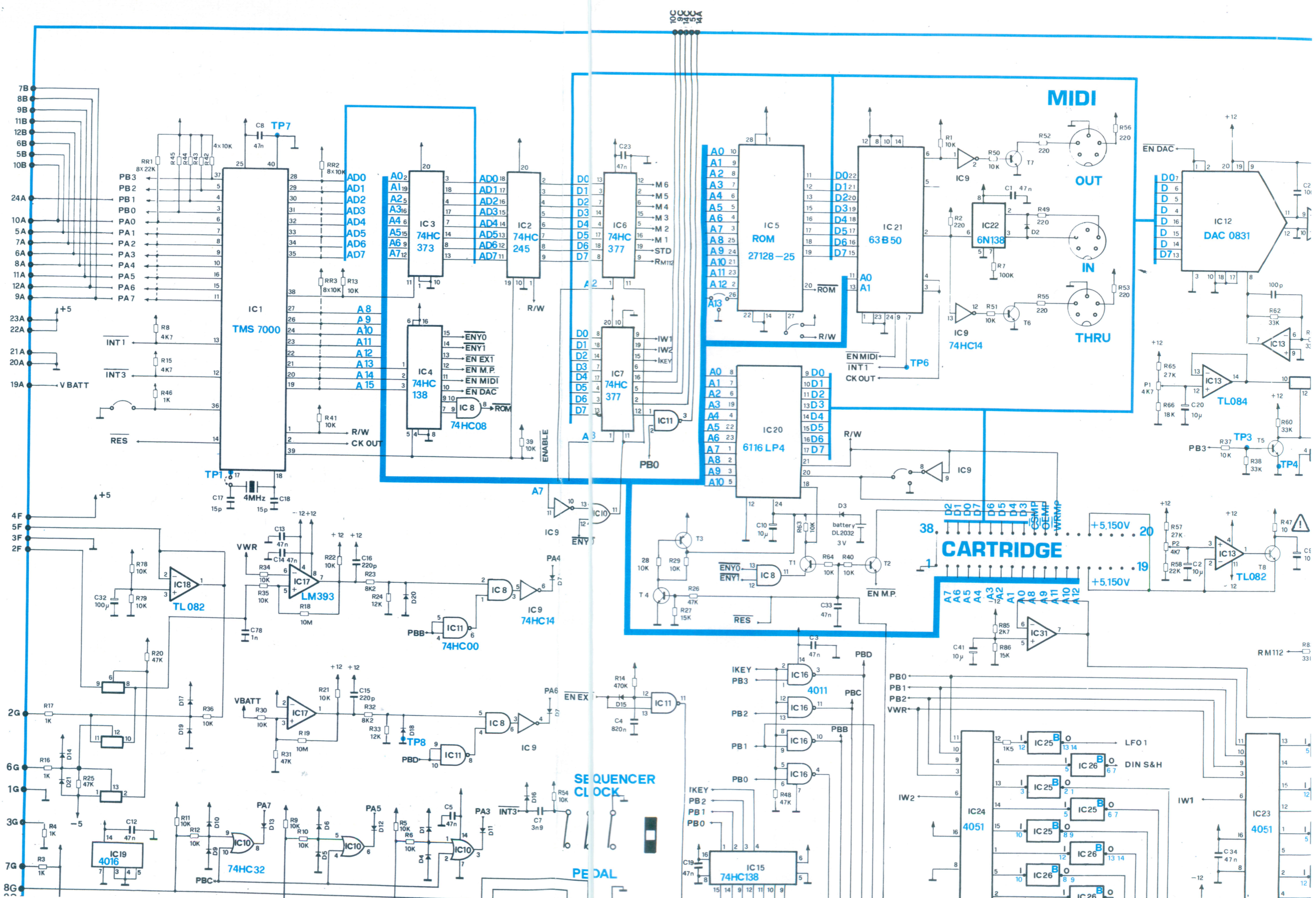
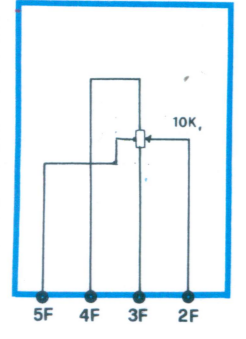
ROM PACK



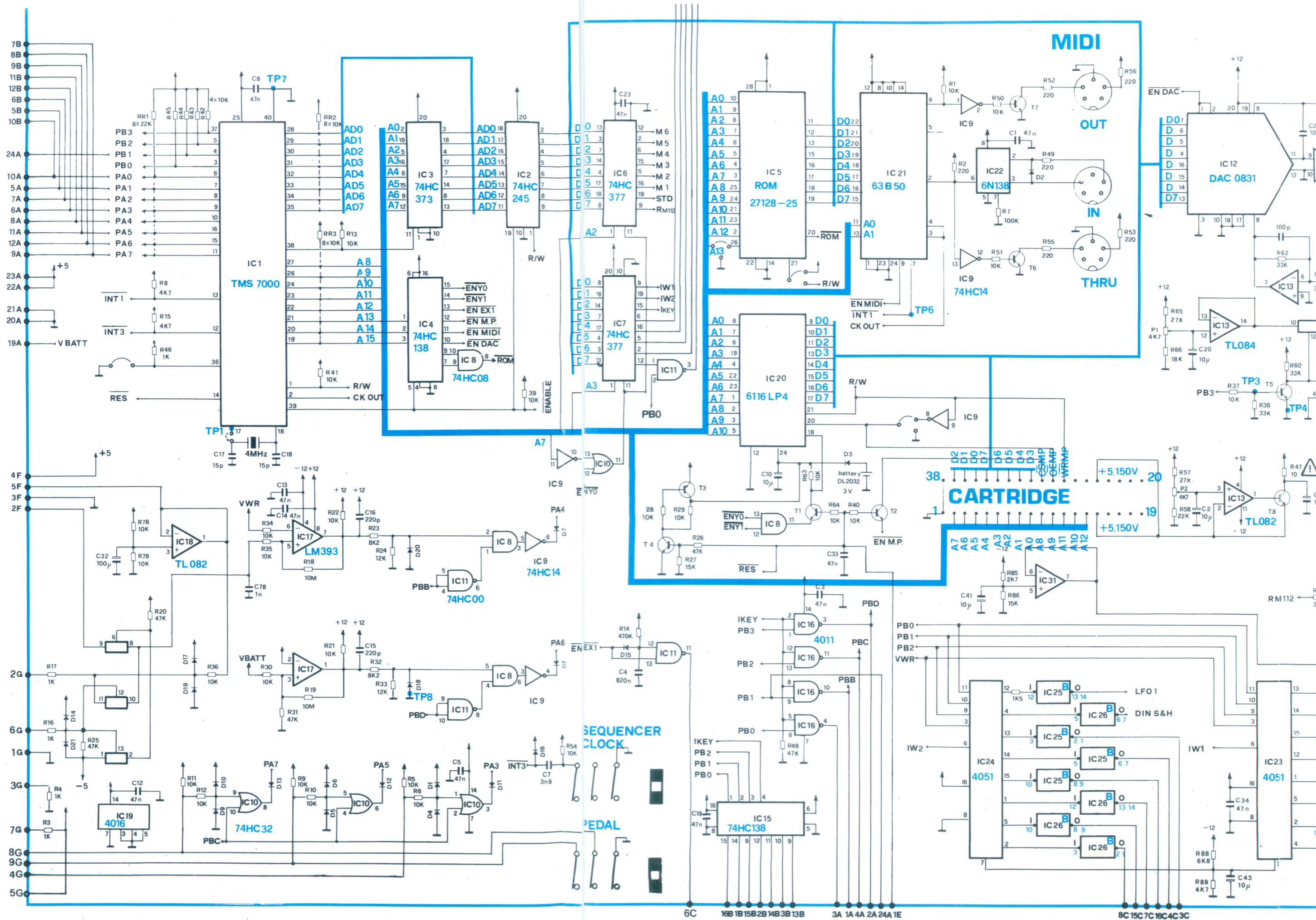
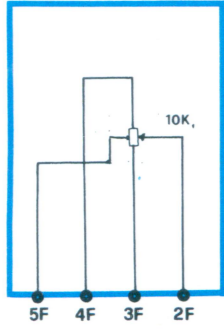
RAM PACK

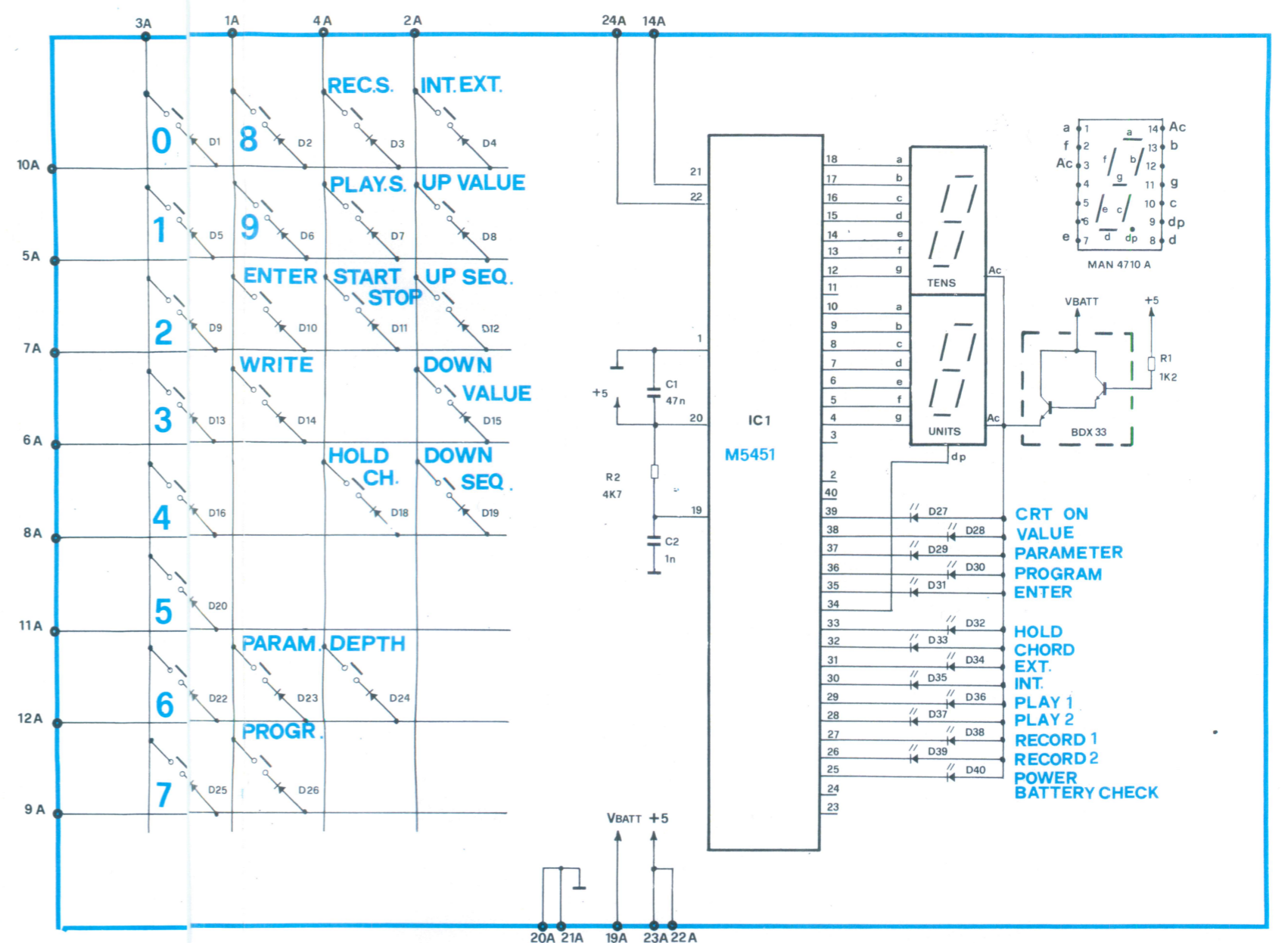
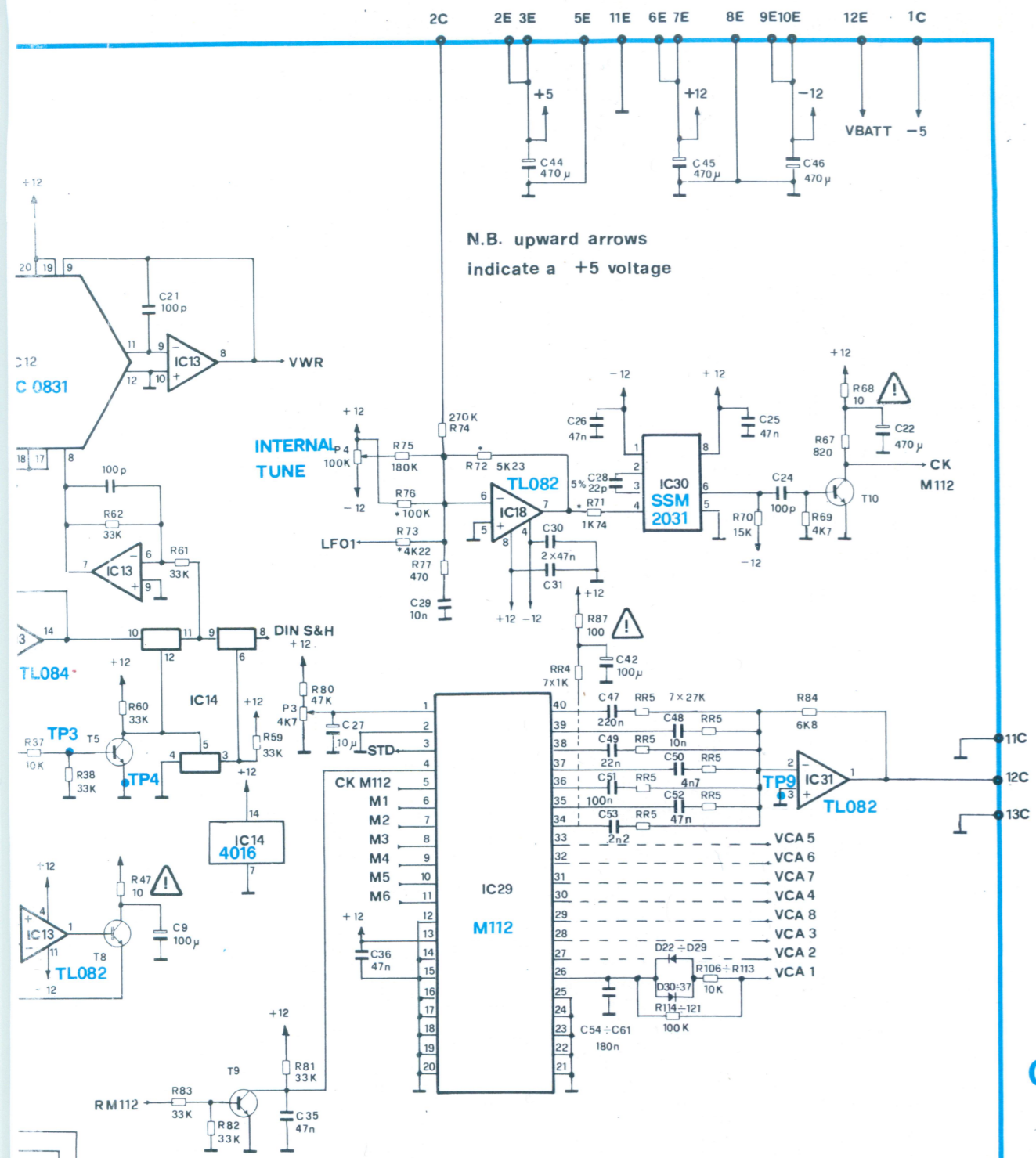


PITCH



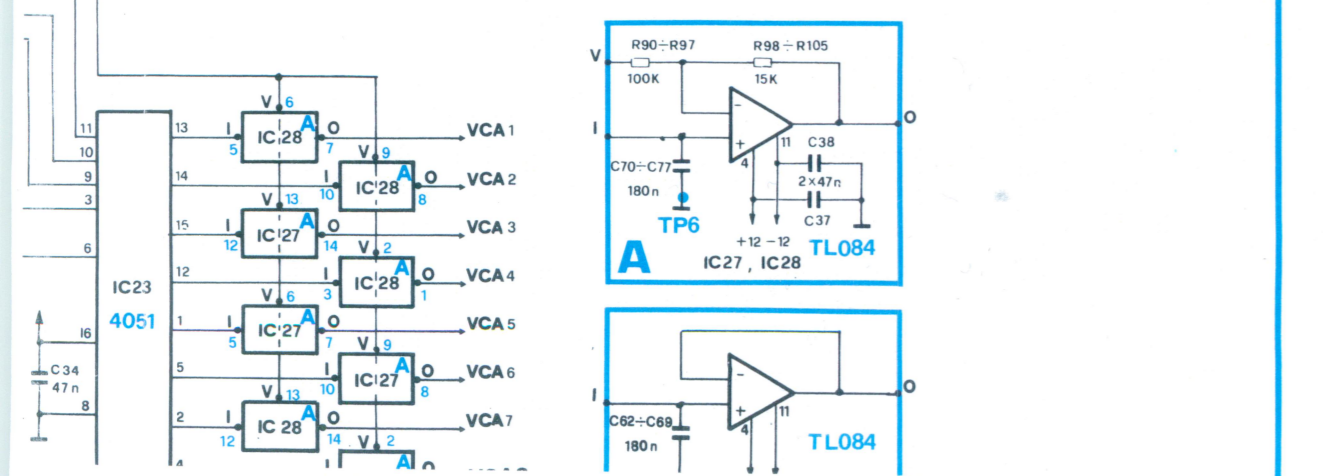
PITCH



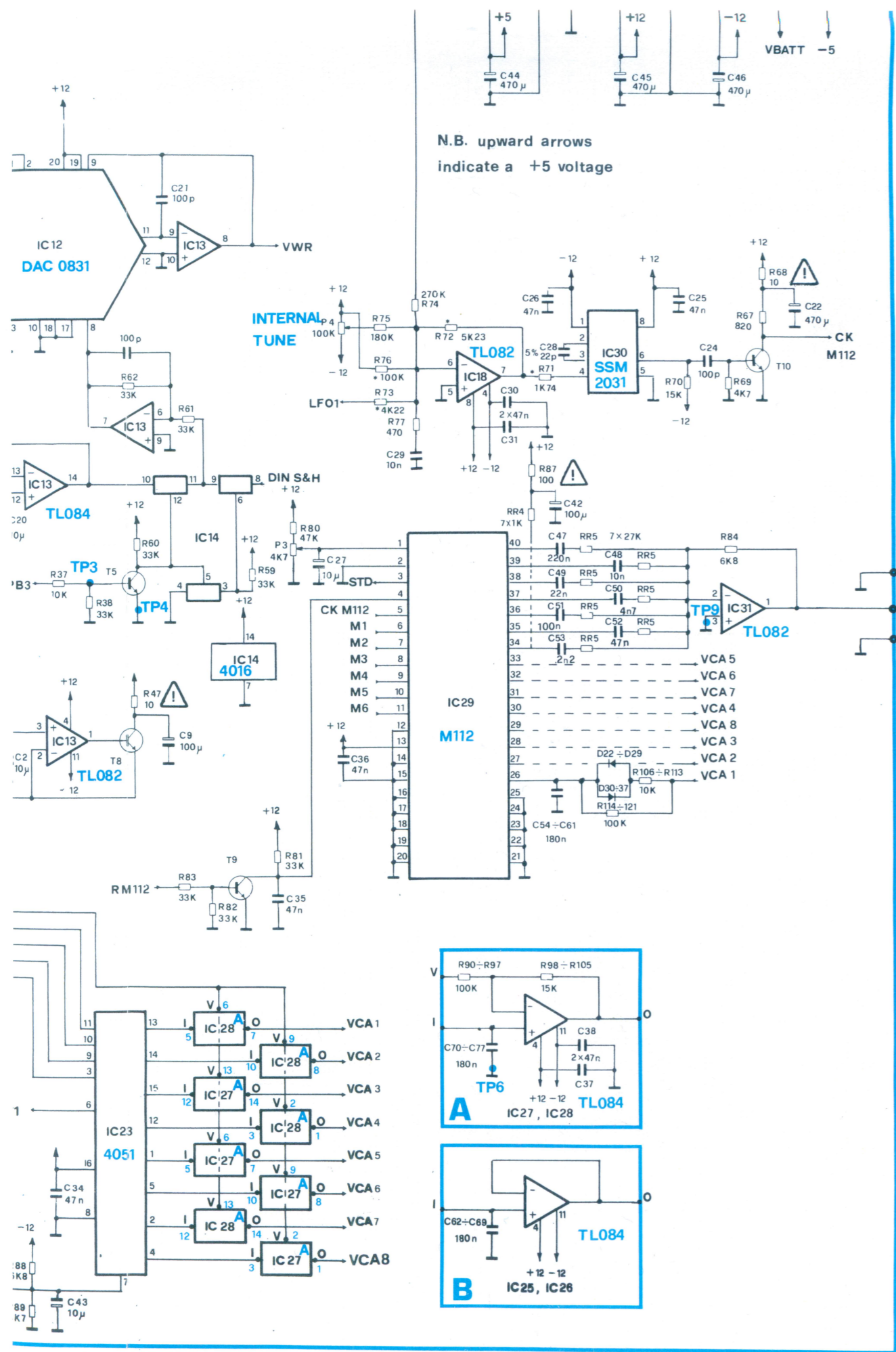


CPU BOARD

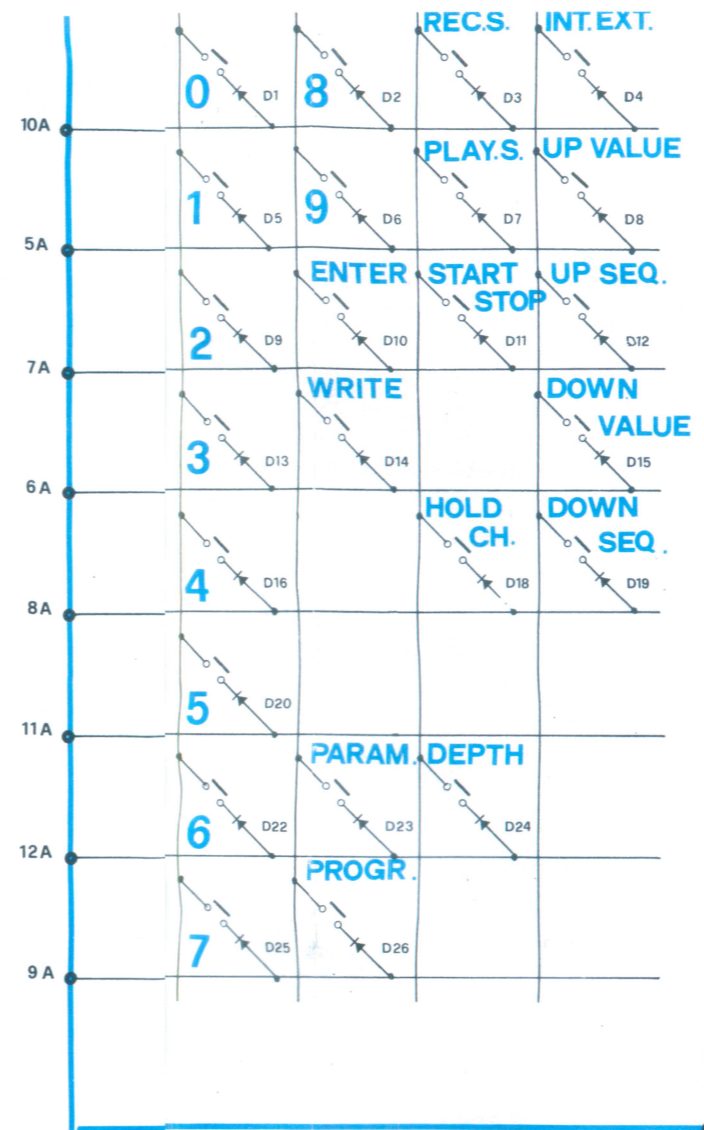
SWITCHES BOARD



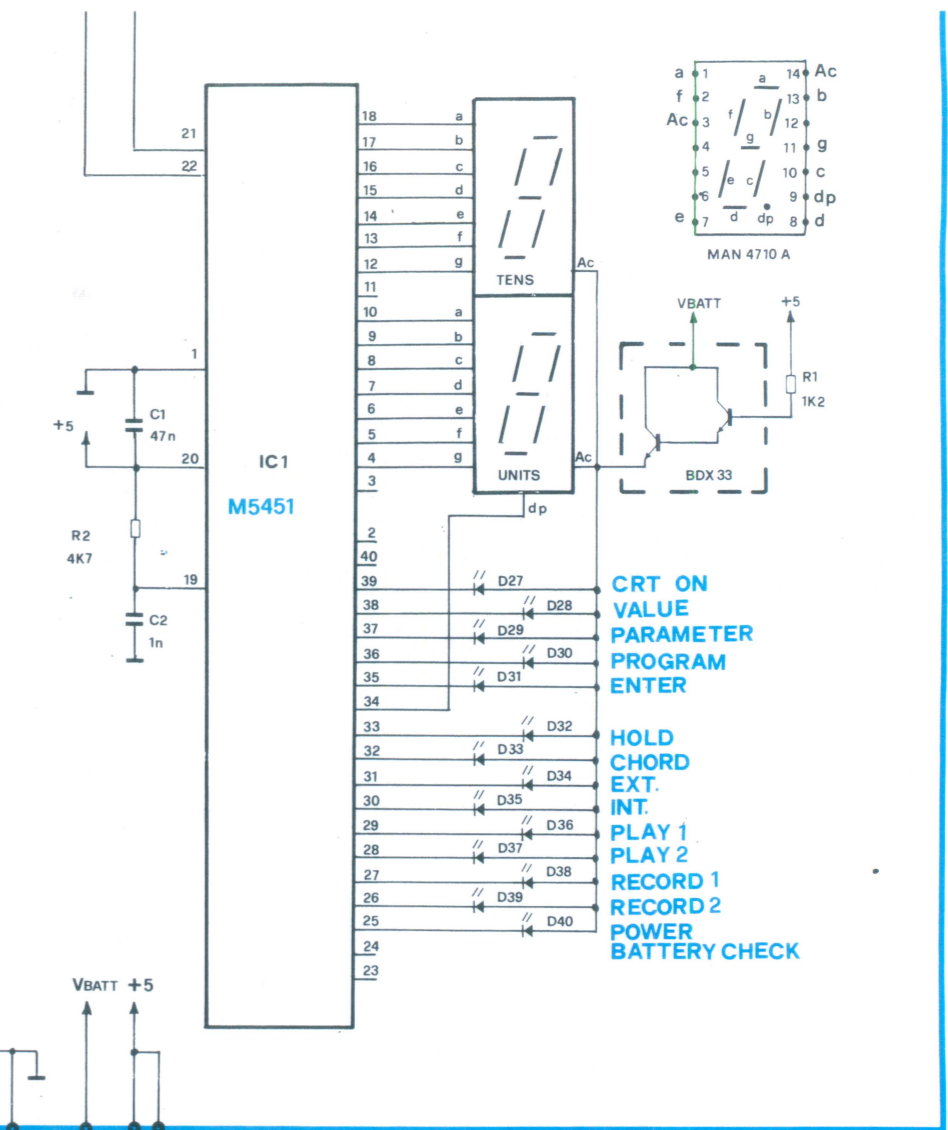
POWER SUPPLY BOARD



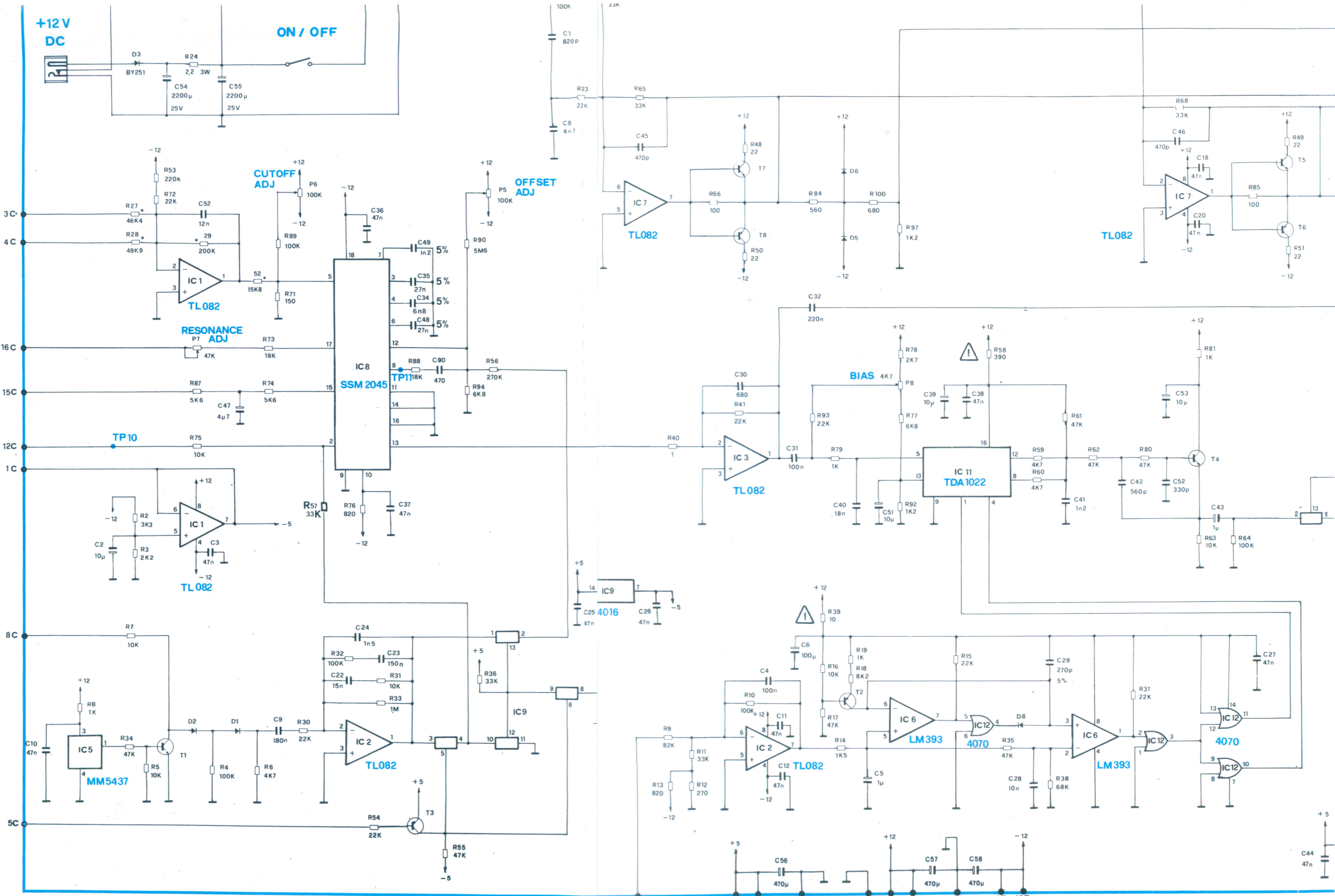
CPU BOARD



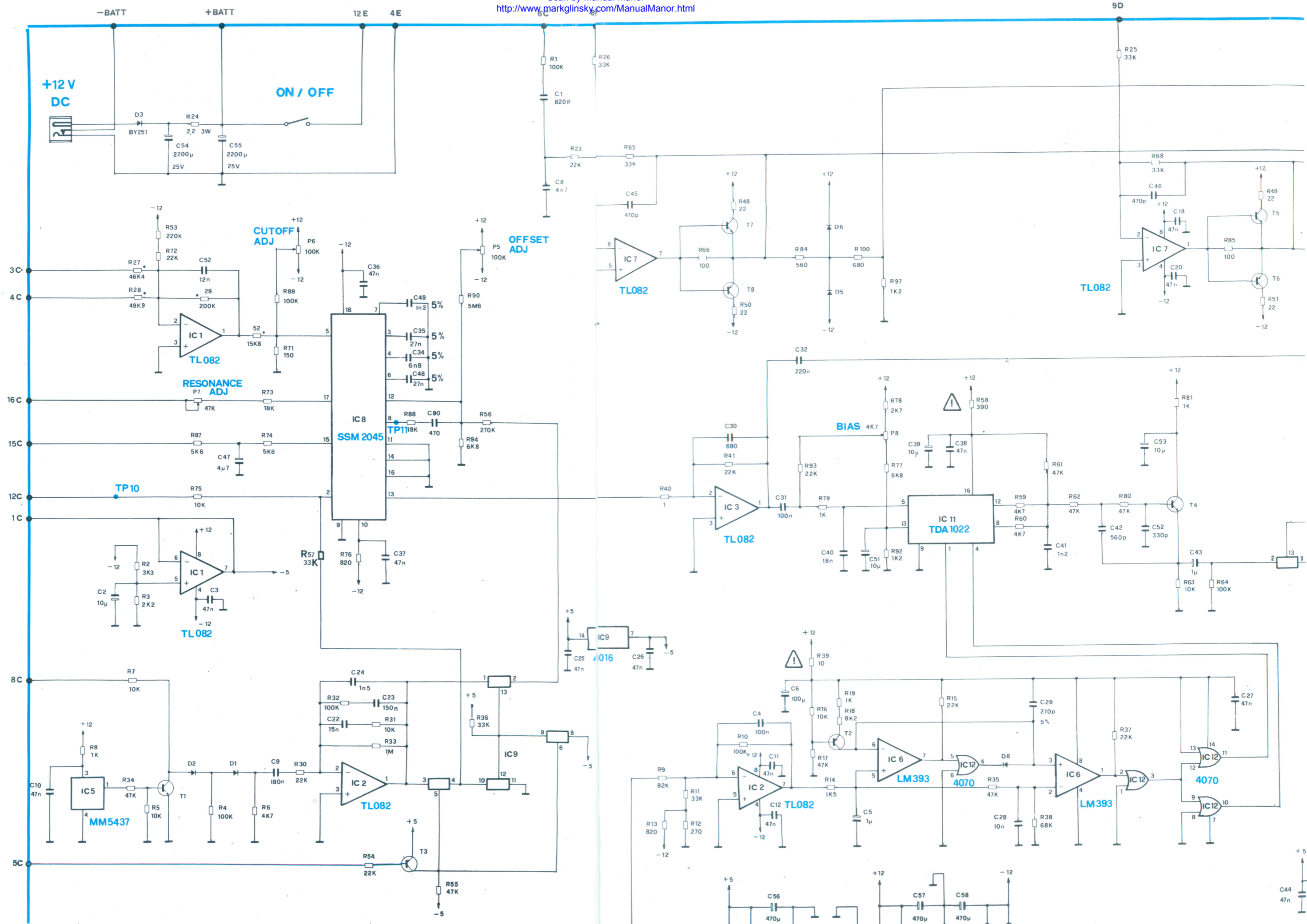
SWITCHES BOARD



POWER SUPPLY BOARD



GENERATION BOARD



+12V DC

ON / OFF

CUTOFF ADJ

OFFSET ADJ

RESONANCE ADJ

BIAS

TL082

TL082

TL082

TL082

TL082

MM5437

TL082

LM393

LM393

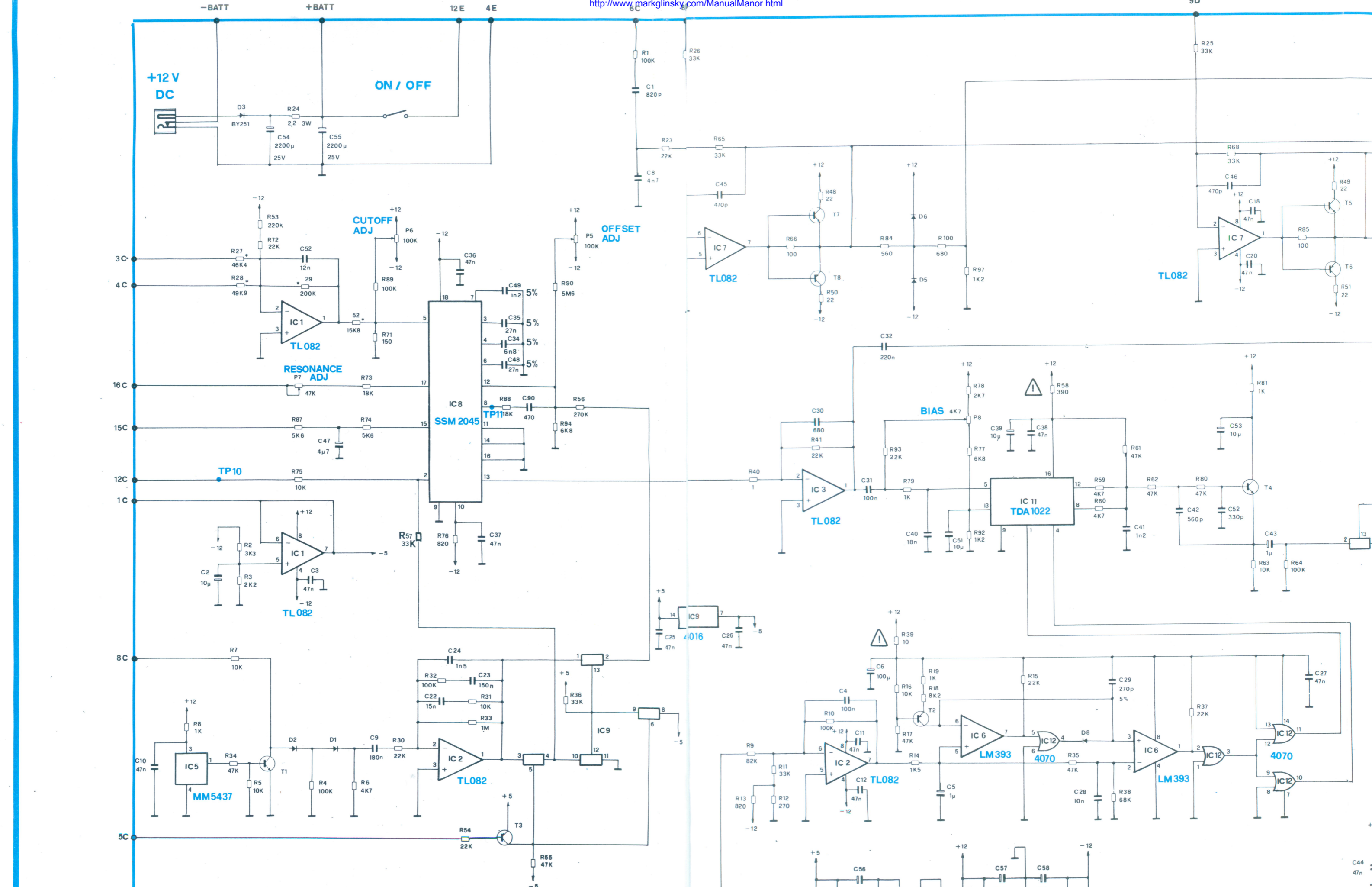
4070

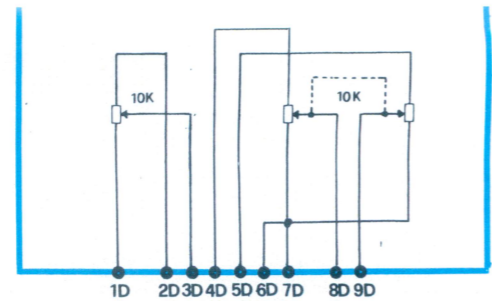
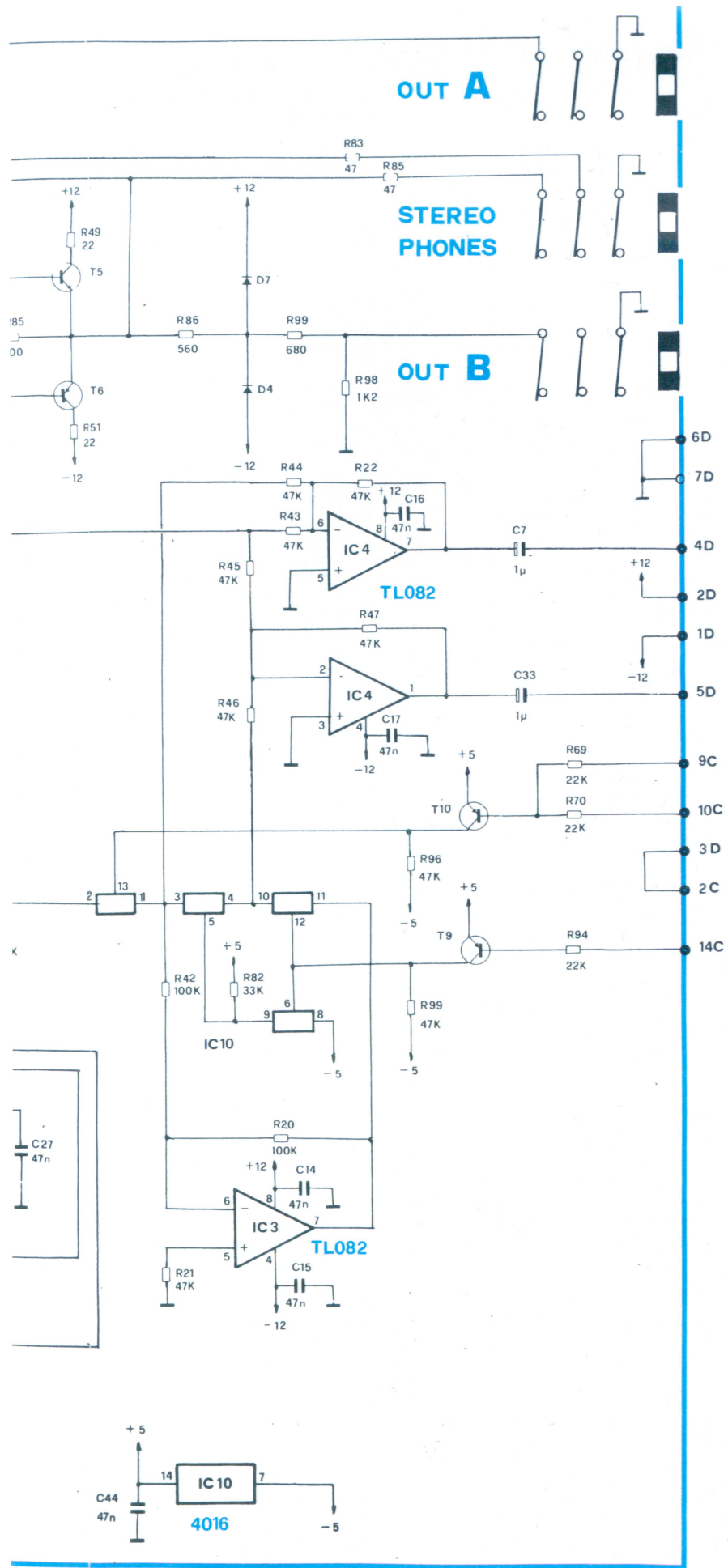
4070

SSM 2045

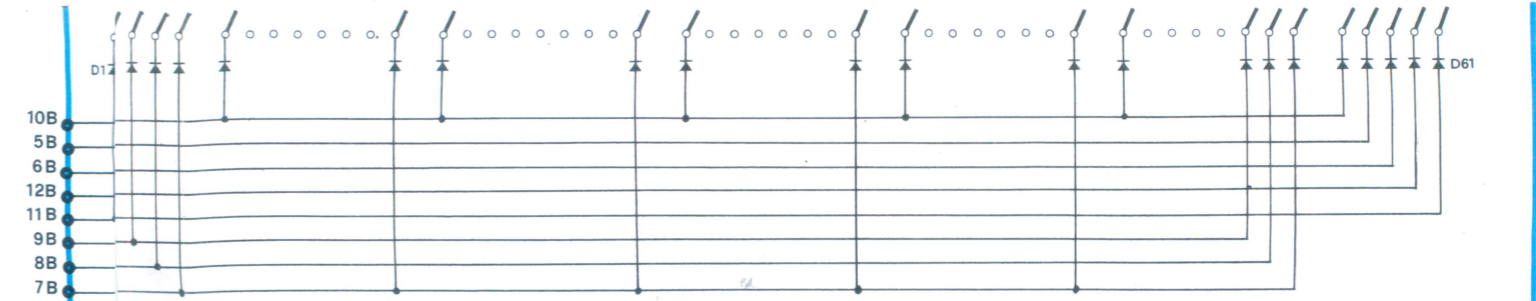
TDA1022

4016





CONTROLS BOARD



KEYBOARD

CONNECTIONS

A		B		C		D		E		F		G		
1	24	1	16	1	1	1	1	1	1	1	1	5	M4	
PBB	PB1	Y1	Y0	-5	-12	RES	RES	P4	MUL	9	DEM	4	DEM	
PBD	+5	Y3	Y2	M.T.	+12	+5	+12	⊥	DAM	⊥	8	M1	3	M1
PBA	+5	Y5	Y4	C.F. VCF	M.T.	+5	M.T.	⊥	⊥	+5	⊥	7	M2	
PBC	⊥		Y6	VCF DEG.	VIA	⊥	VIA	⊥	DAM	⊥	⊥	6	⊥	
PA1	⊥	PA1	PA3	VCF VOA/VCF	VIB	⊥	VIB	⊥	M3	⊥	⊥	3	M1	
PA3	⊥	PA2	PA4	NOISE VCA/VCF	⊥	⊥	⊥	⊥	M3	⊥	⊥	2	M2	
PA2	⊥	PA7	PA0	METRONOME	⊥	⊥	⊥	⊥	M5	⊥	⊥	1	⊥	
PA4	⊥	PA6	PA6	LFO DELAY LINE	⊥	⊥	⊥	⊥	⊥	⊥	⊥	⊥	⊥	
PA7	⊥			DEG. NOISE	⊥	⊥	⊥	⊥	⊥	⊥	⊥	⊥	⊥	
PA0	⊥			CHORUS OFF/ON	⊥	⊥	⊥	⊥	⊥	⊥	⊥	⊥	⊥	
PA5	⊥			FICH OFF/ON	⊥	⊥	⊥	⊥	⊥	⊥	⊥	⊥	⊥	
PA6	⊥			IN VCF	⊥	⊥	⊥	⊥	⊥	⊥	⊥	⊥	⊥	
	CKL			CHORUS DET/ST.CH.	⊥	⊥	⊥	⊥	⊥	⊥	⊥	⊥	⊥	
				LEVEL	⊥	⊥	⊥	⊥	⊥	⊥	⊥	⊥	⊥	
				RESONANCE	⊥	⊥	⊥	⊥	⊥	⊥	⊥	⊥	⊥	
					12									
					16									

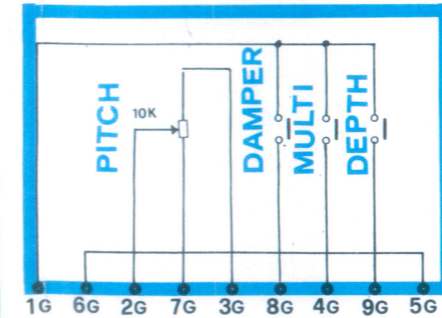
NOTES

All resistors are 1/4 W
 All PNP transistors are BC 416
 All diodes are 1N4148
 All NPN transistors are BC 239
 All electrolytic cap. are 16 VDC
 UNLESS OTHERWISE INDICATED

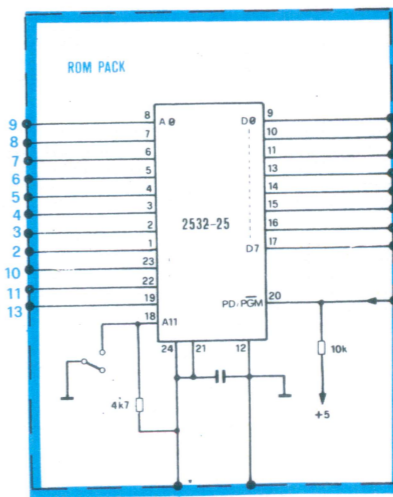
IMPORTANT

The components marked with are unflammable safety resistors

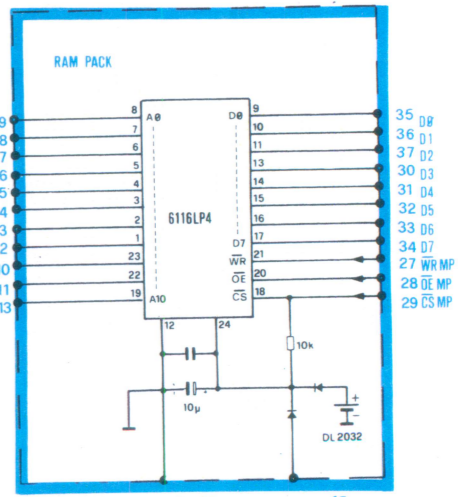
OPTIONAL



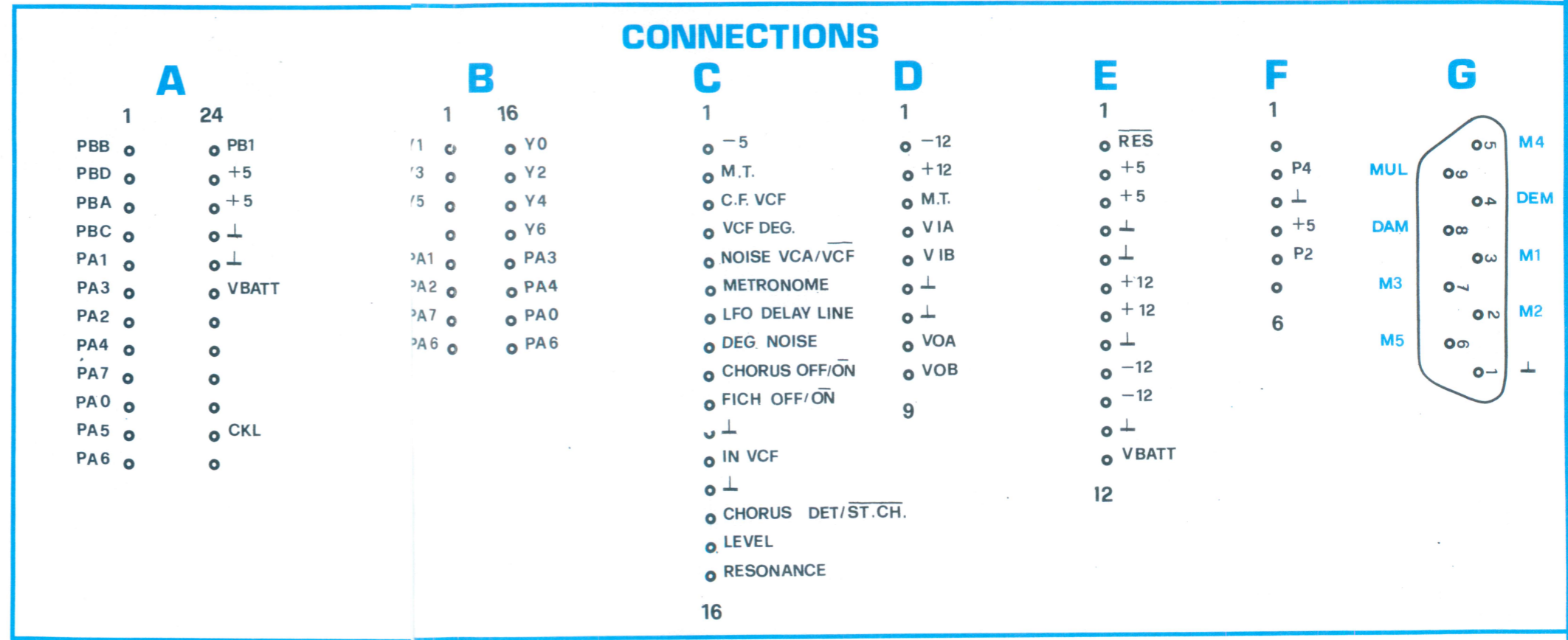
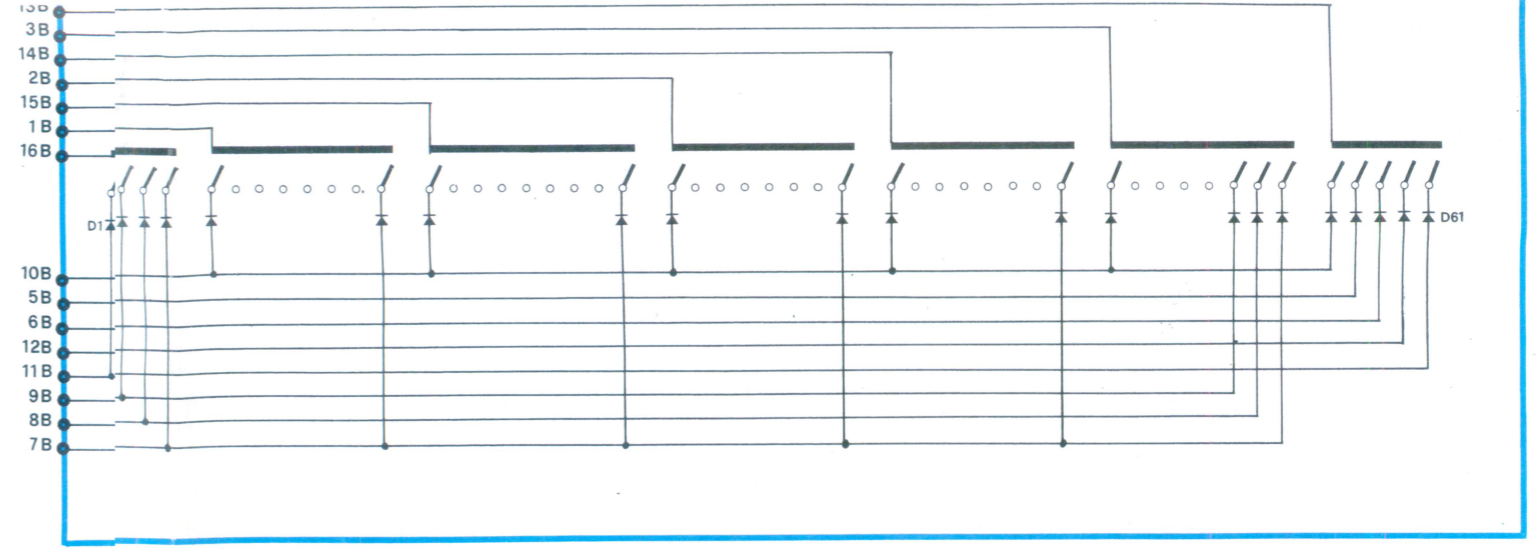
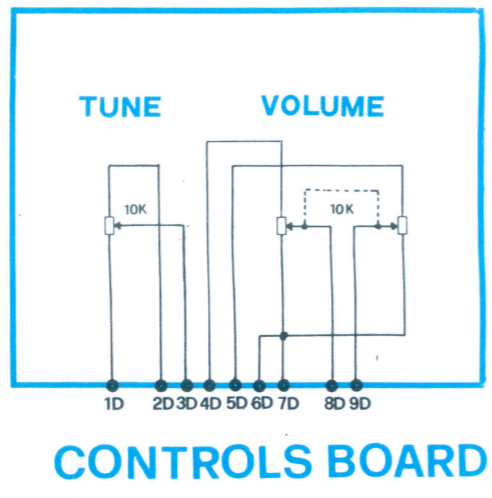
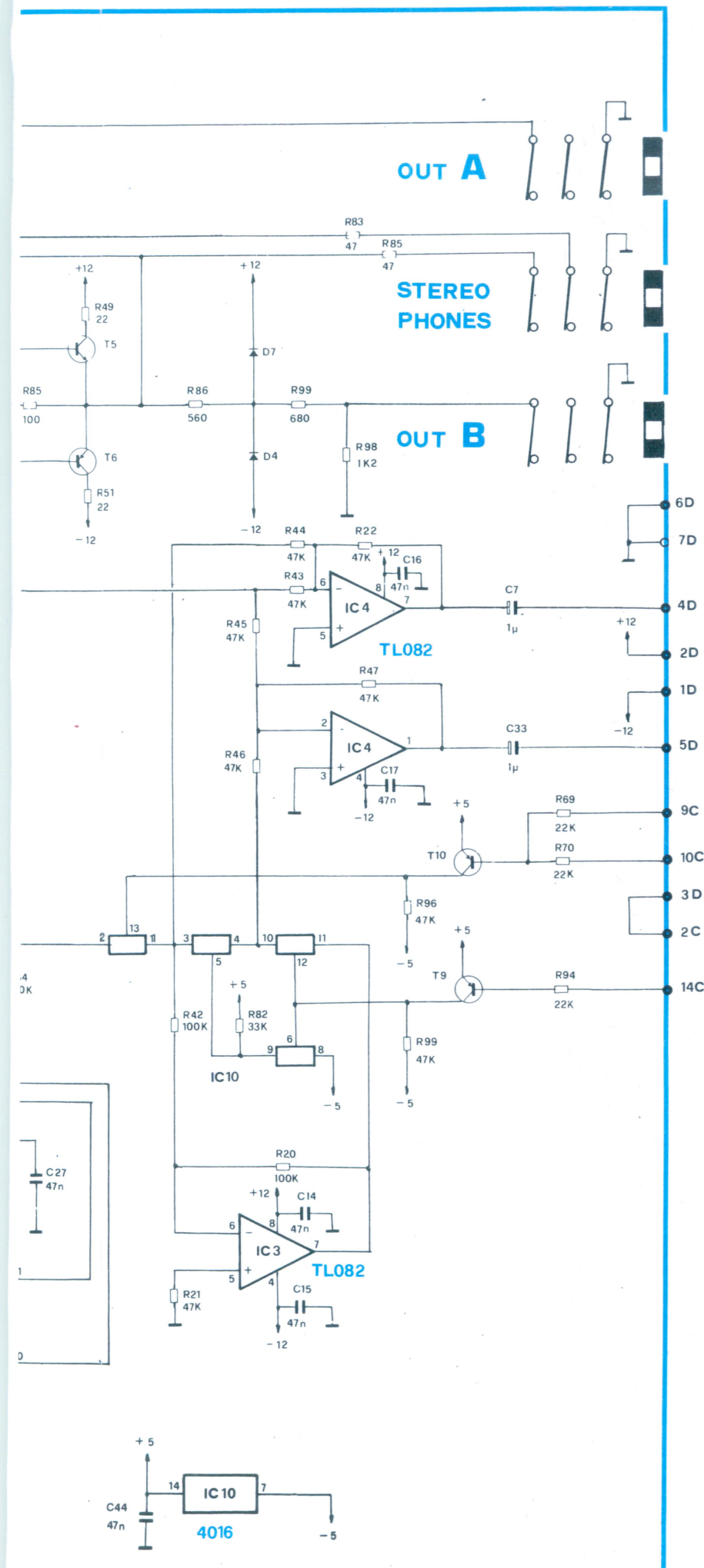
STAGE SET



ROM PACK



RAM PACK



NOTES

All resistors are 1/4 W
 All PNP transistors are BC 416
 All diodes are 1N4148
 All NPN transistors are BC 239
 All electrolytic cap. are 16 VDC
 UNLESS OTHERWISE INDICATED

IMPORTANT
 The components marked with are unflammable safety

