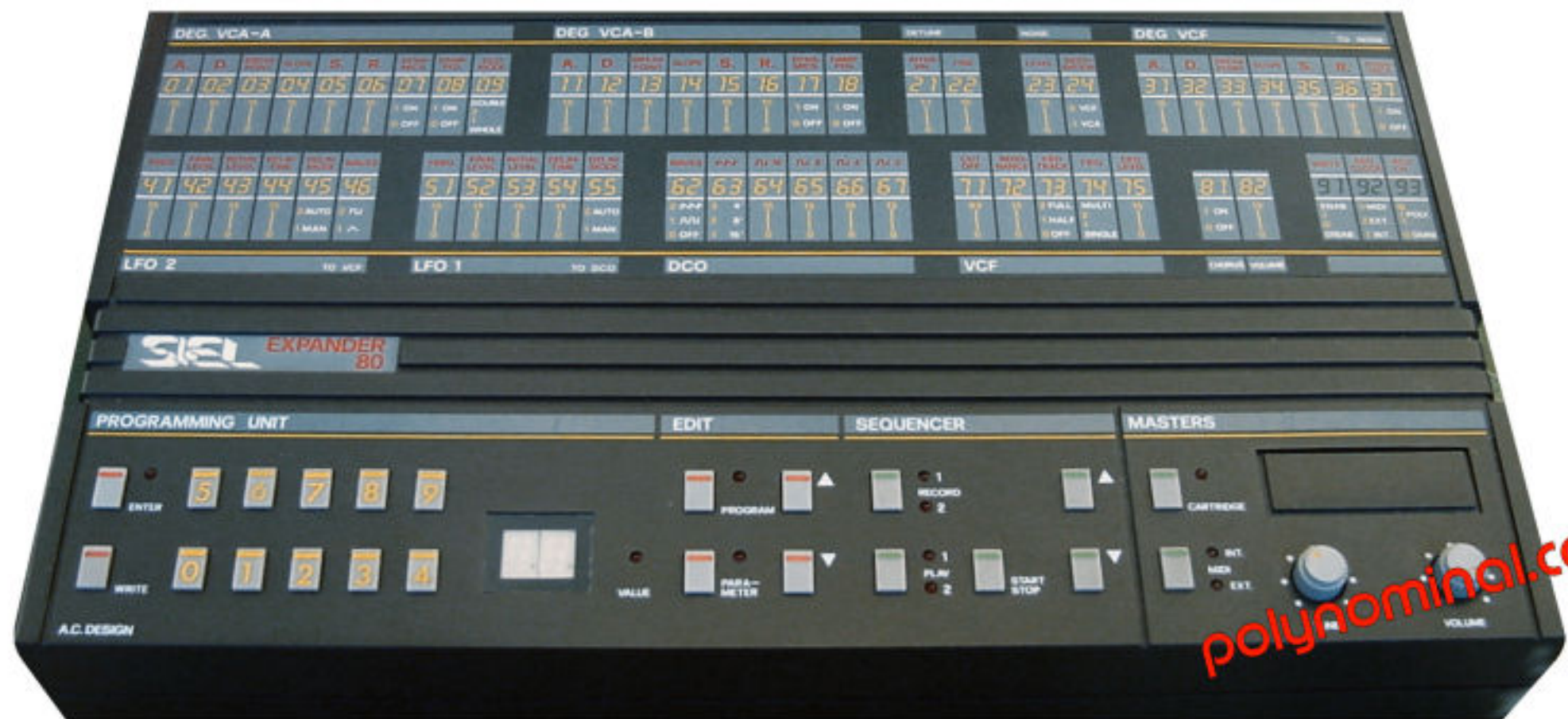


SIEL SERVICE MANUAL SCHEMATICS



polynominal.com



**FREE DO NOT PAY FOR THIS!
PLEASE DO VISIT THE EX80 RESOURCE CENTER!**

EXPANDER 80

PROGRAMMABLE MIDI SYNTH MODULE

SIEL s.p.a. RESERVES THE RIGHT TO IMPROVE AND ALTER,
WITHOUT PRIOR NOTICE,
THE FEATURES OF THE INSTRUMENT

UPDATED: FEBRUARY 1985

SIEL[®]

SOCIETÀ INDUSTRIE ELETTRONICHE s.p.a.

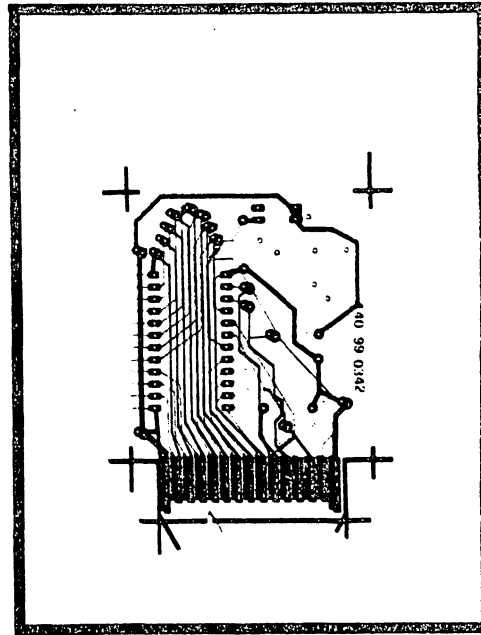
VIA L. DA VINCI n. 11 (Zona Ind.) - 63030 ACQUAVIVA PICENA (AP) ITALY
P.O. box 199 - 63039 SAN BENEDETTO DEL TRONTO (AP) ITALY
Tel. 0735/60744 (4 lines) - Telex 961887 SIEL I
Codice Fiscale e Partita IVA 00092010877
Posizione meccanografica M/790532

SCHEMATIC
DIAGRAM

SIEL[®]

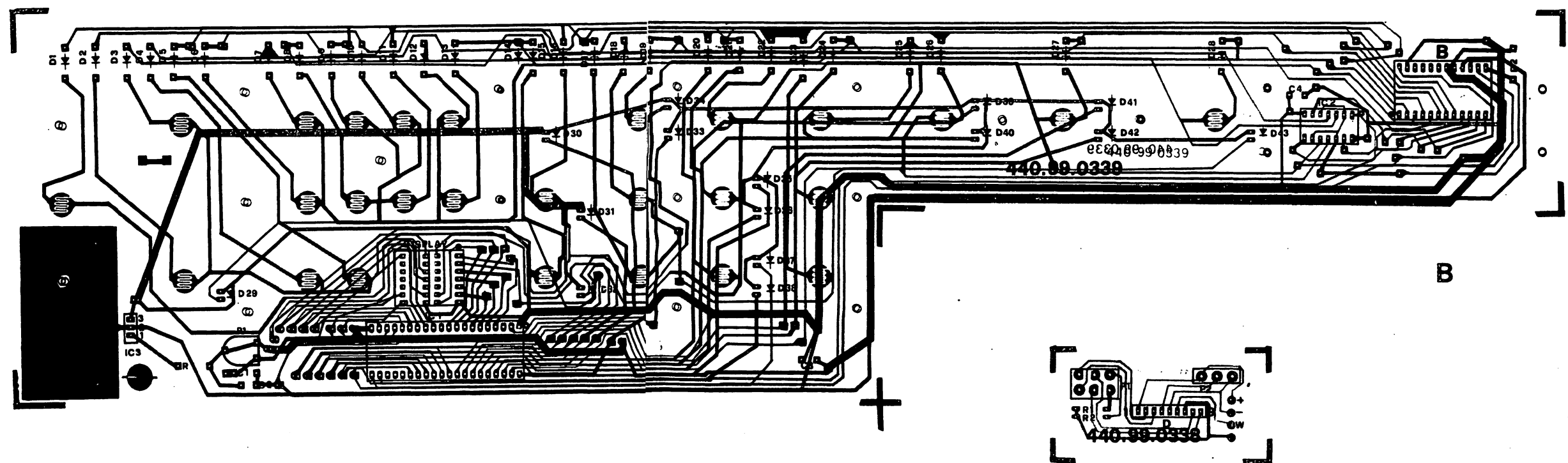
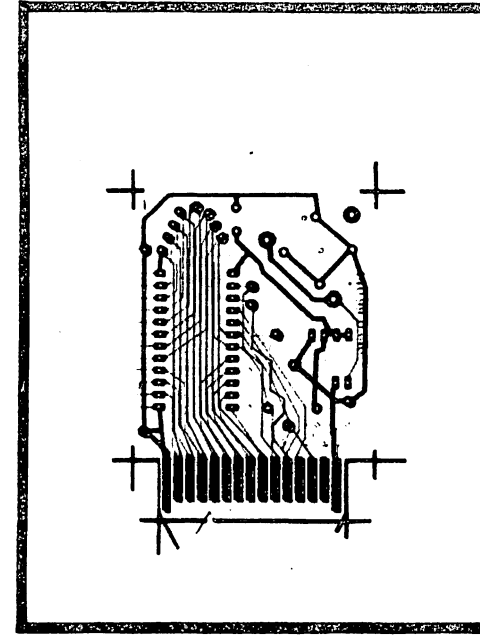
ROM PACK

P.C. 440 99 0342
ASSY590 06 0071



RAM PACK

P.C. 440 99 0340
ASSY 590 06 0085



DISPLAY & SWITCHES BOARD

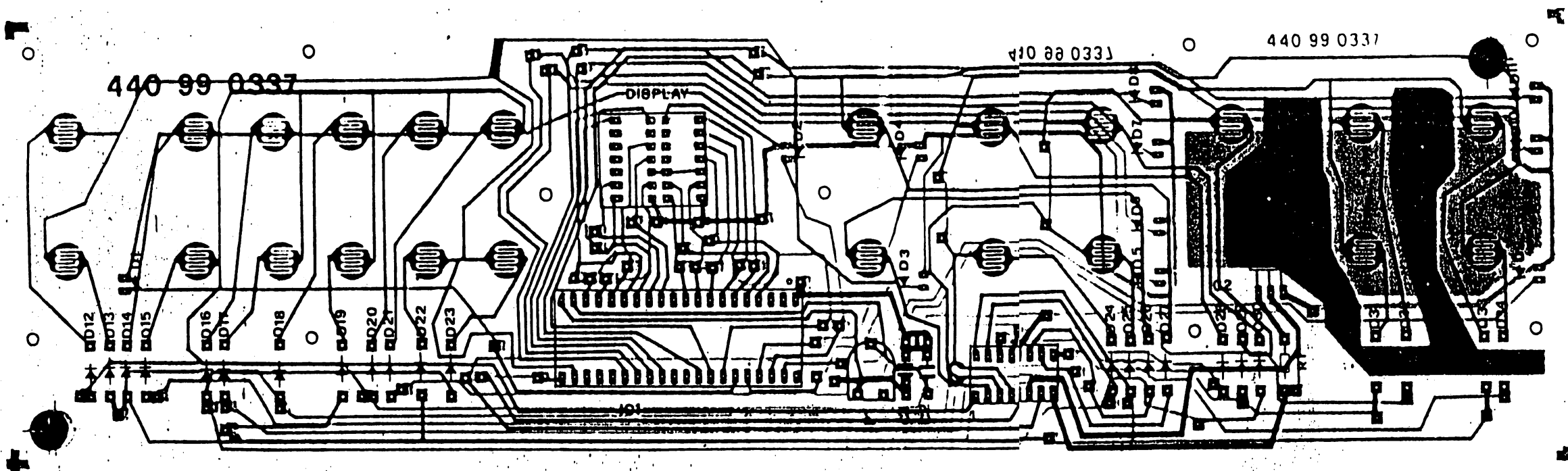
P.C. 440 99 0339
ASSY 590 05 0074

CONTROLS BOARD

P.C. 440 99 0338
ASSY590 05 0076

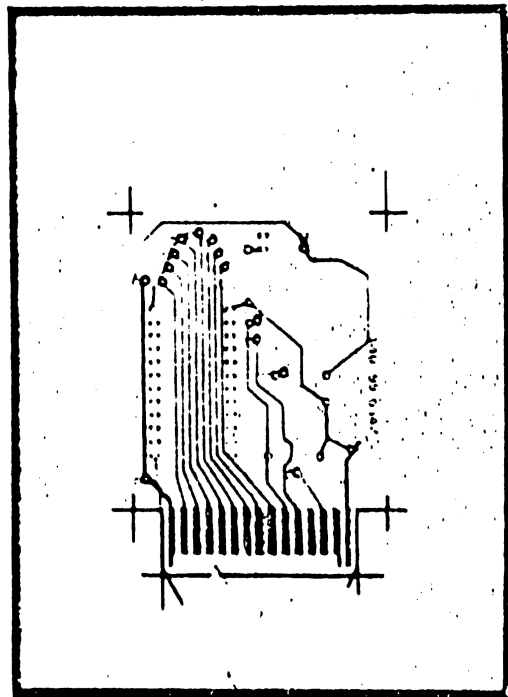
C

ASSY 590 05 0075



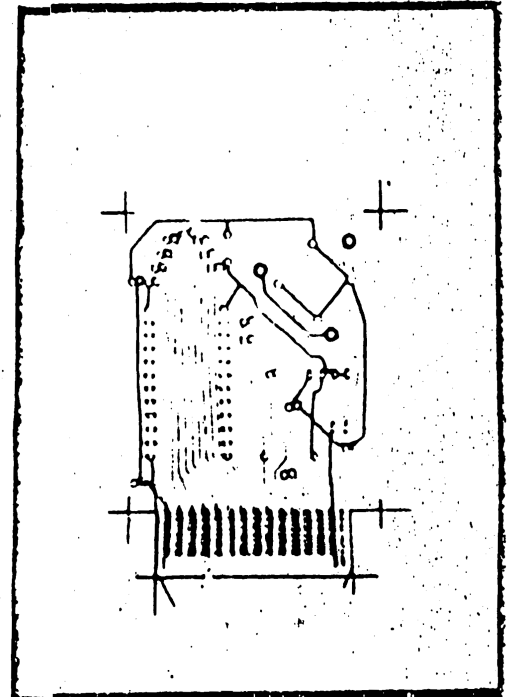
ROM PACK

P.C. 440 99 0342
ASSY 590 06 0071

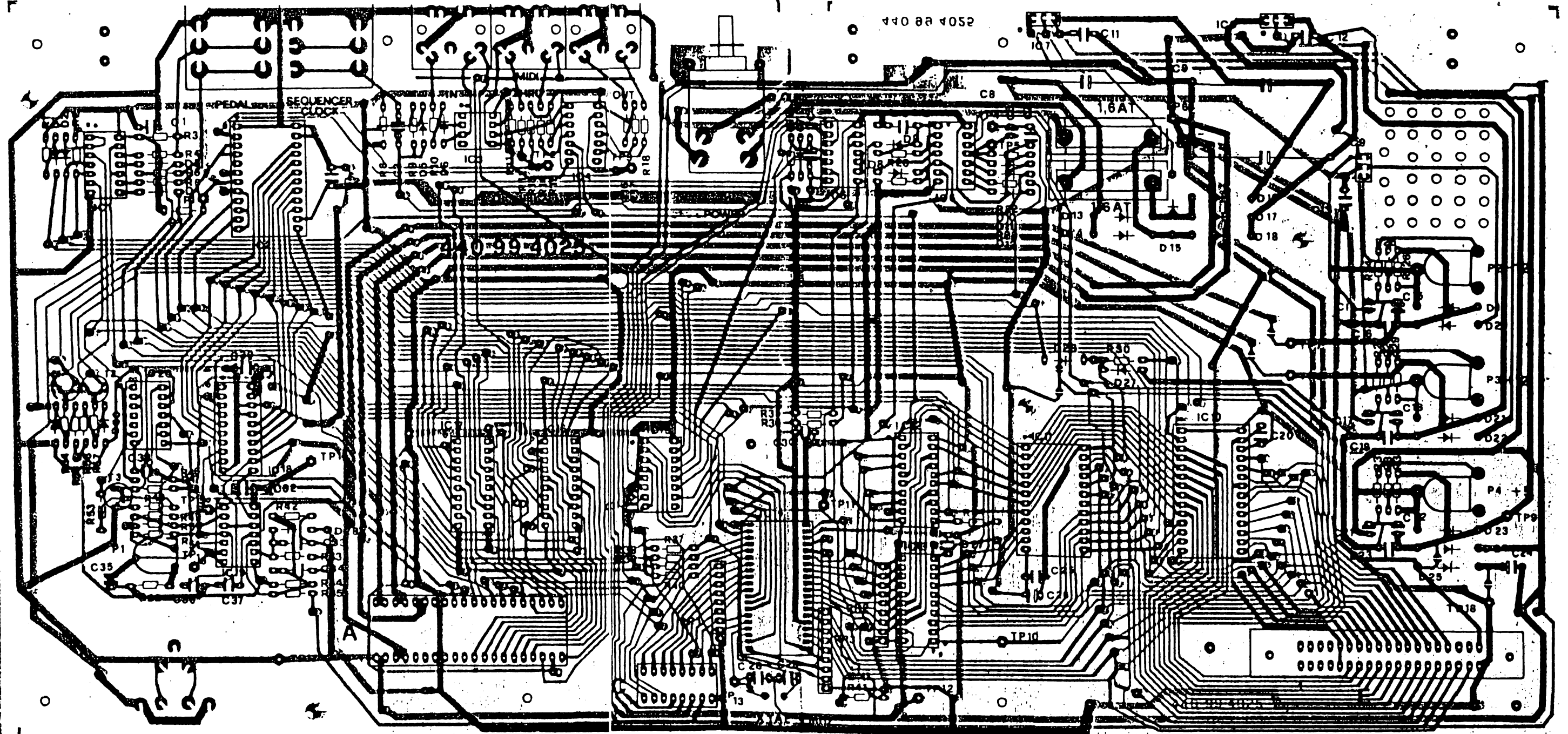


RAM PACK

P.C. 440 99 0340
ASSY 590 06 0085

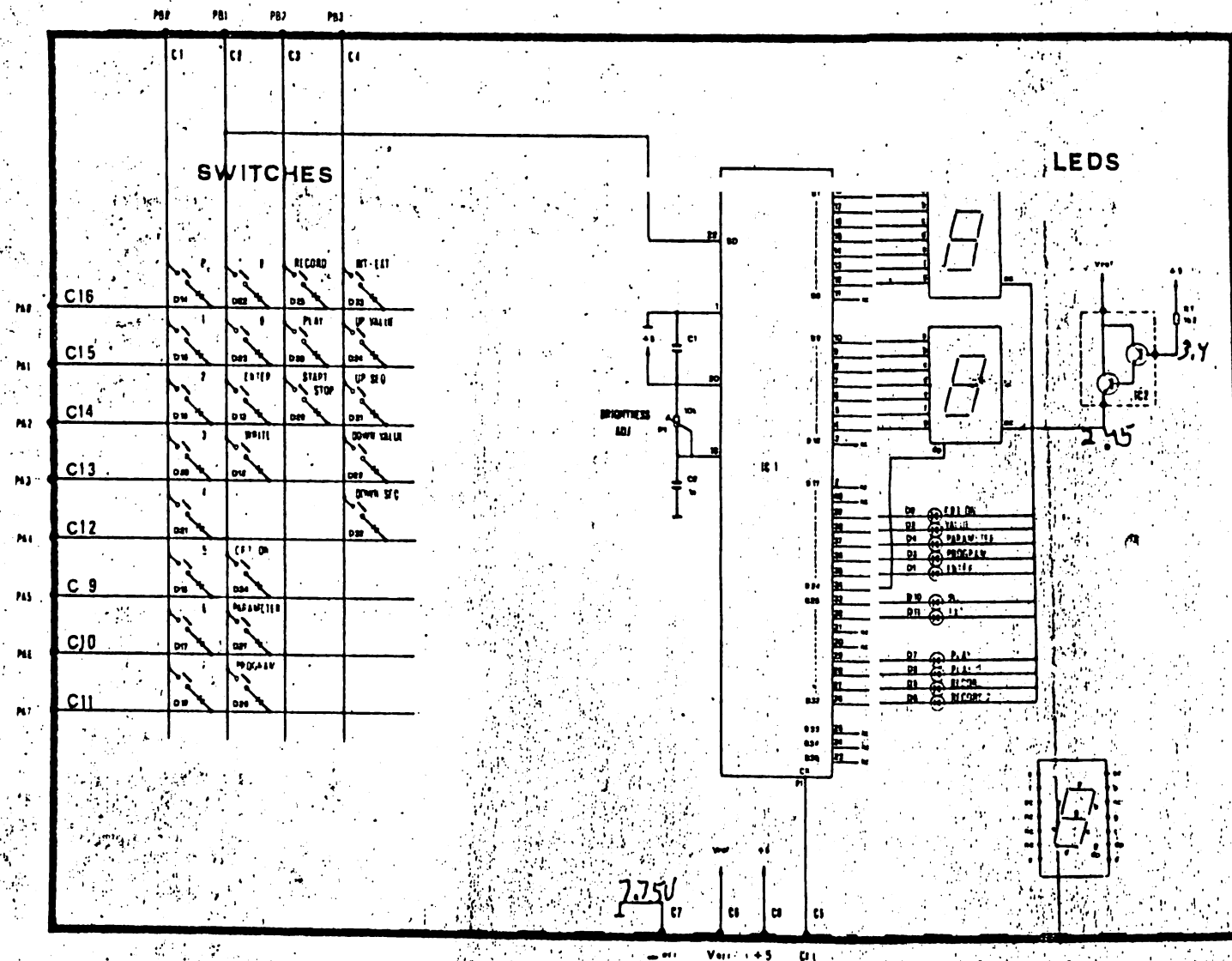


CPU BOARD P.C. 440 99 4025 ASSY 590 01 0075

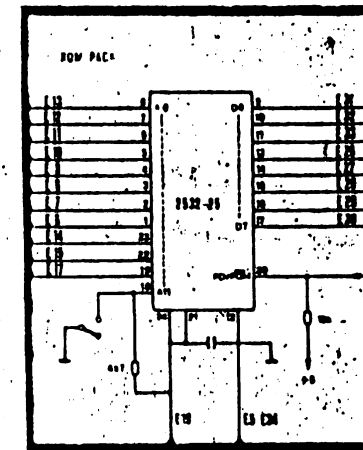


A C

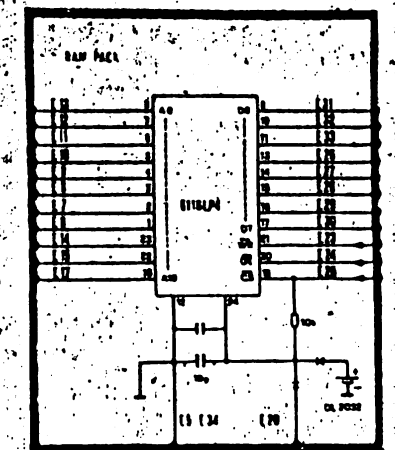
DISPLAY & SWITCHES BOARD



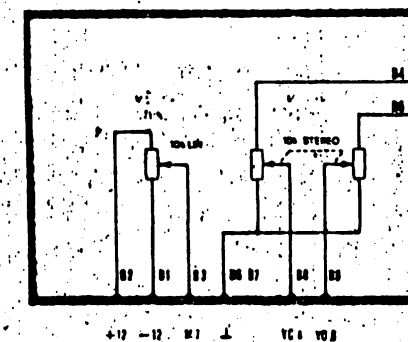
ROM PACK



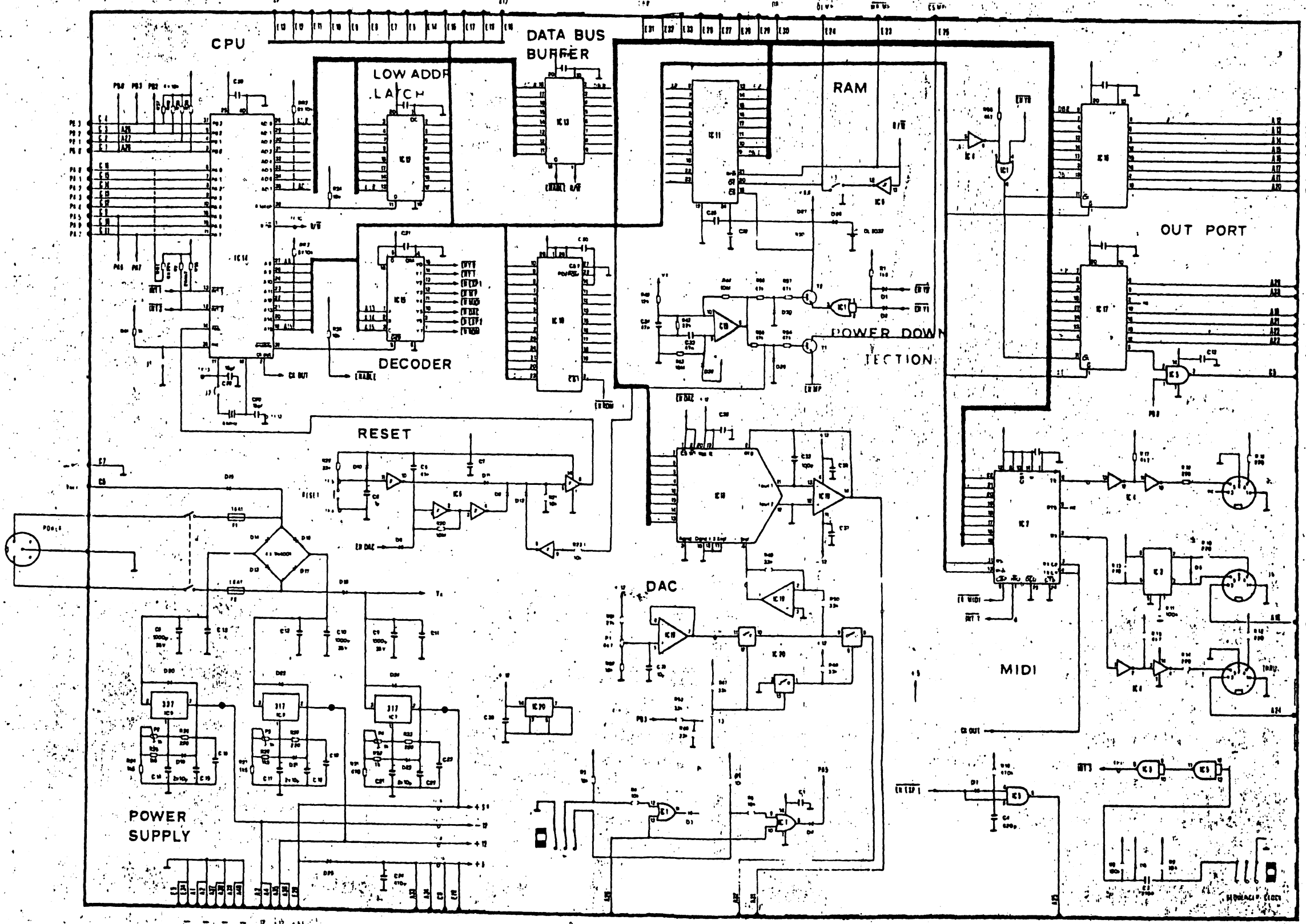
RAM PACK



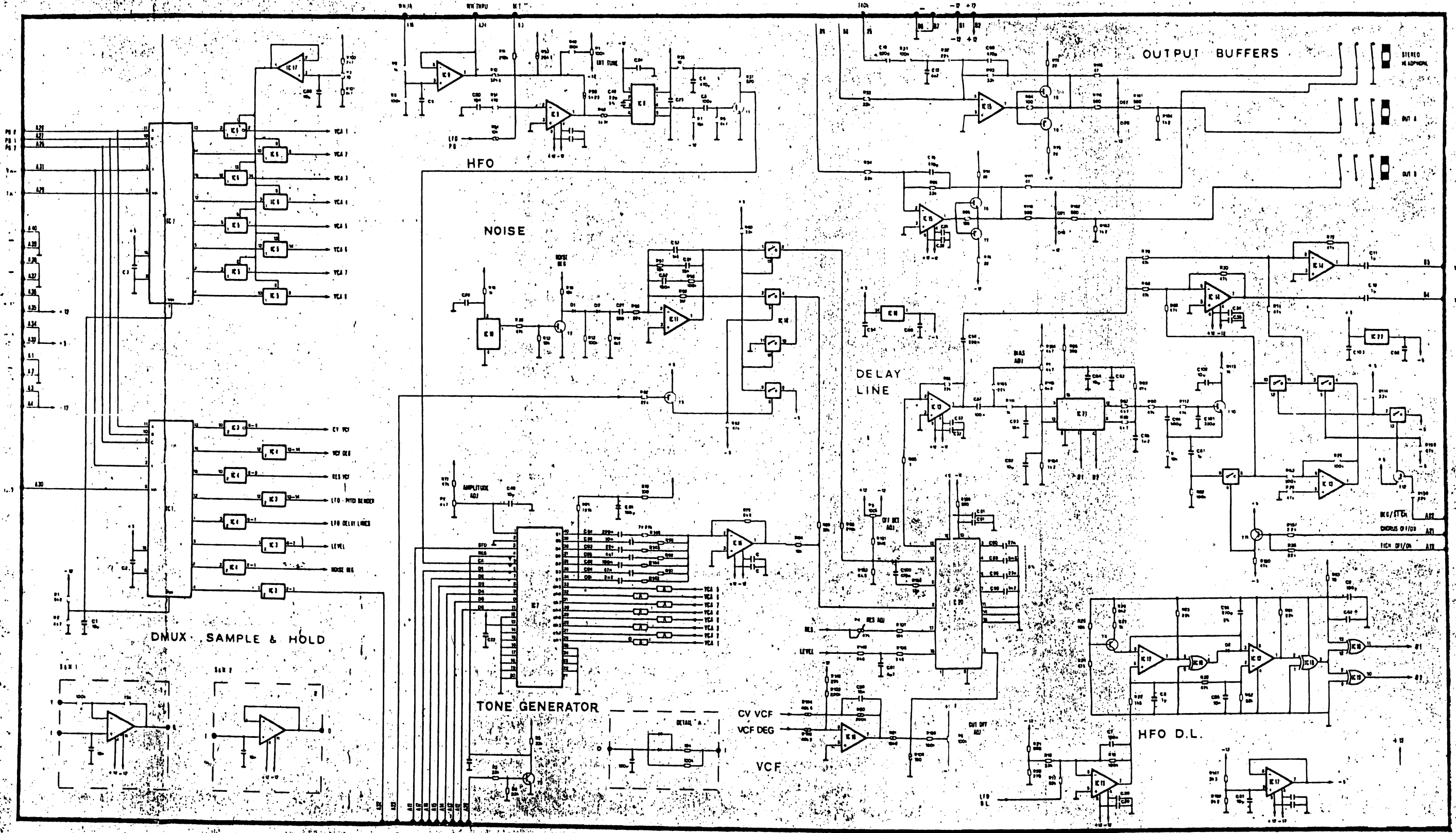
CONTROLS BOARD



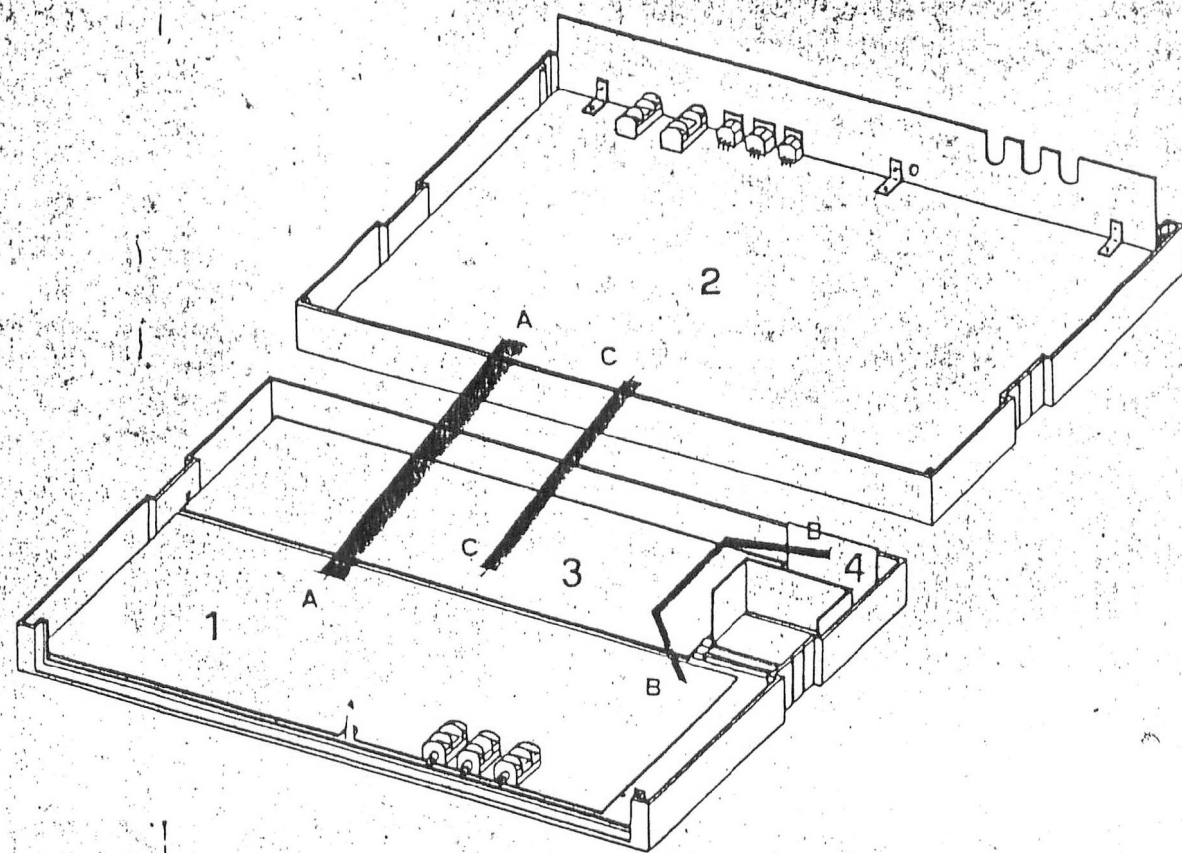
CPU BOARD



GENERATION BOARD



52



- | | |
|-----------------------------|-------------|
| 1. GENERATION BOARD | 440 99 4026 |
| 2. CPU BOARD | 440 99 4025 |
| 3. DISPLAY & SWITCHES BOARD | 440 99 0337 |
| 4. CONTROLS BOARD | 440 99 0358 |

P.C. 440.99.4025
CPU BOARD

- I.C.1 - 74HC32
- I.C.2 - 68850
- I.C.3 - 6N138
- I.C.4 - 74LS04
- I.C.5 - 74HC00
- I.C.6 - 74HC14
- I.C.7 - LM 317 T
- I.C.8 - LM 317 T
- I.C.9 - LM 337
- I.C.10 - 2564-35
- I.C.11 - 6116 LP4
- I.C.12 - 74HC373
- I.C.13 - 74HC245
- I.C.14 - TMS 7000
- I.C.15 - 74HC138
- I.C.16 - 74HC377
- I.C.17 - 74HC377
- I.C.18 - DAC 0832
- I.C.19 - TL 084
- I.C.20 - 4016

P.C. 440.99.4026
GENERATION BOARD

- I.C.1 - 4051
- I.C.2 - 4051
- I.C.3 - TL 084
- I.C.4 - TL 084
- I.C.5 - TL 084
- I.C.6 - TL 084
- I.C.7 - M 112 B1
- I.C.8 - SSM 2031
- I.C.9 - TL 082
- I.C.10 - MM 5437
- I.C.11 - TL 082
- I.C.12 - LM 393
- I.C.13 - TL 082
- I.C.14 - TL 082
- I.C.15 - TL 082
- I.C.16 - TL 082
- I.C.17 - TL 082
- I.C.18 - 4016
- I.C.19 - 4070
- I.C.20 - SSM 2045
- I.C.21 - TDA 1022
- I.C.22 - 4016

P.C. 440.99.0337
DISPLAY & SWITCHES BOARD

- I.C.1 - M5451
- I.C.2 - BDX 33
- Display man 4810 A

P.C. 440.99.0340
RAM PACK

6116 LP4

P.C. 440.99.0342
ROM PACK

2532-25

NOTES:

- All condensers without value specification are 47 n ceramic condensers.
- All resistors are 1/4 W.
- All resistors whose symbol is marked by an oblique stroke are 1X precision resistors.
- Upward arrows on CPU BOARD indicate a +5 voltage.
- Upward arrows on GENERATION BOARD indicate a +12 voltage, UNLESS OTHERWISE INDICATED