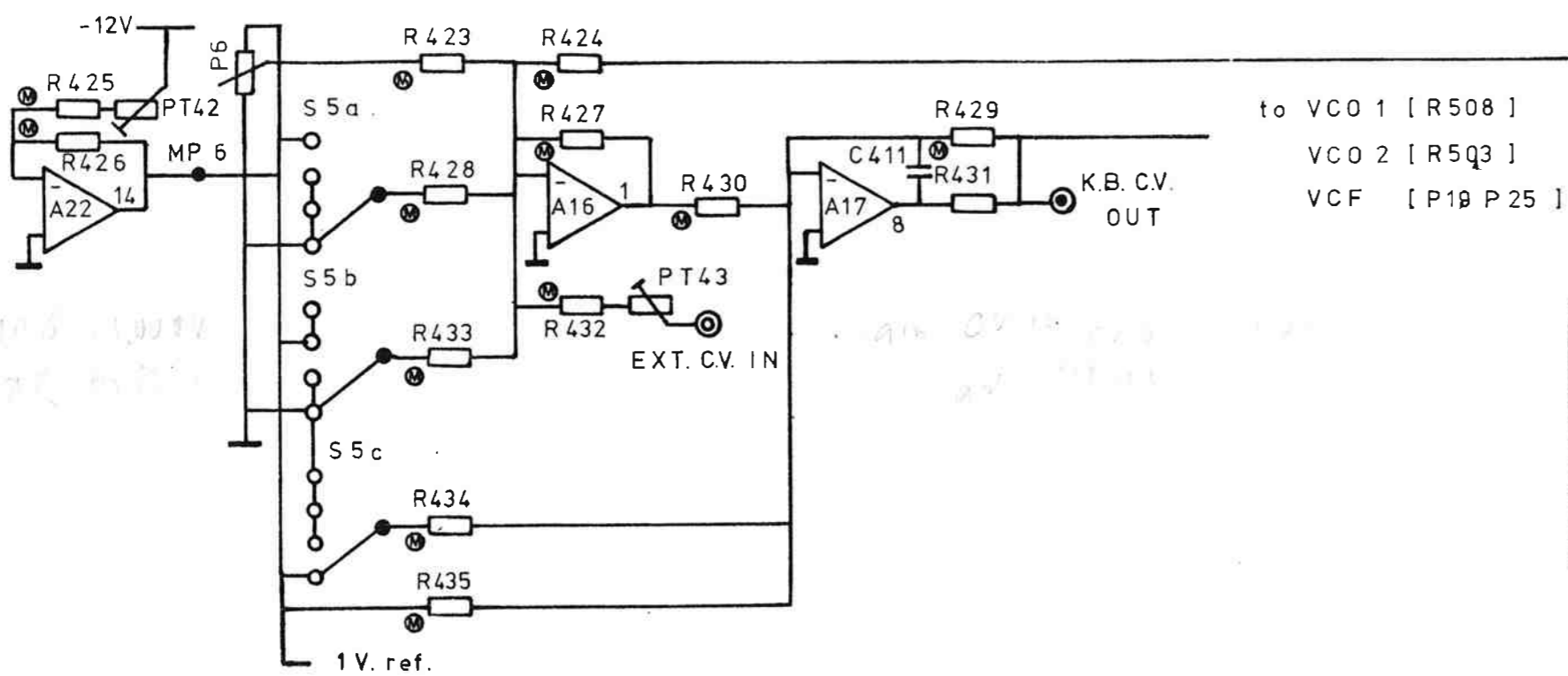


RETRIG. CIRCUIT

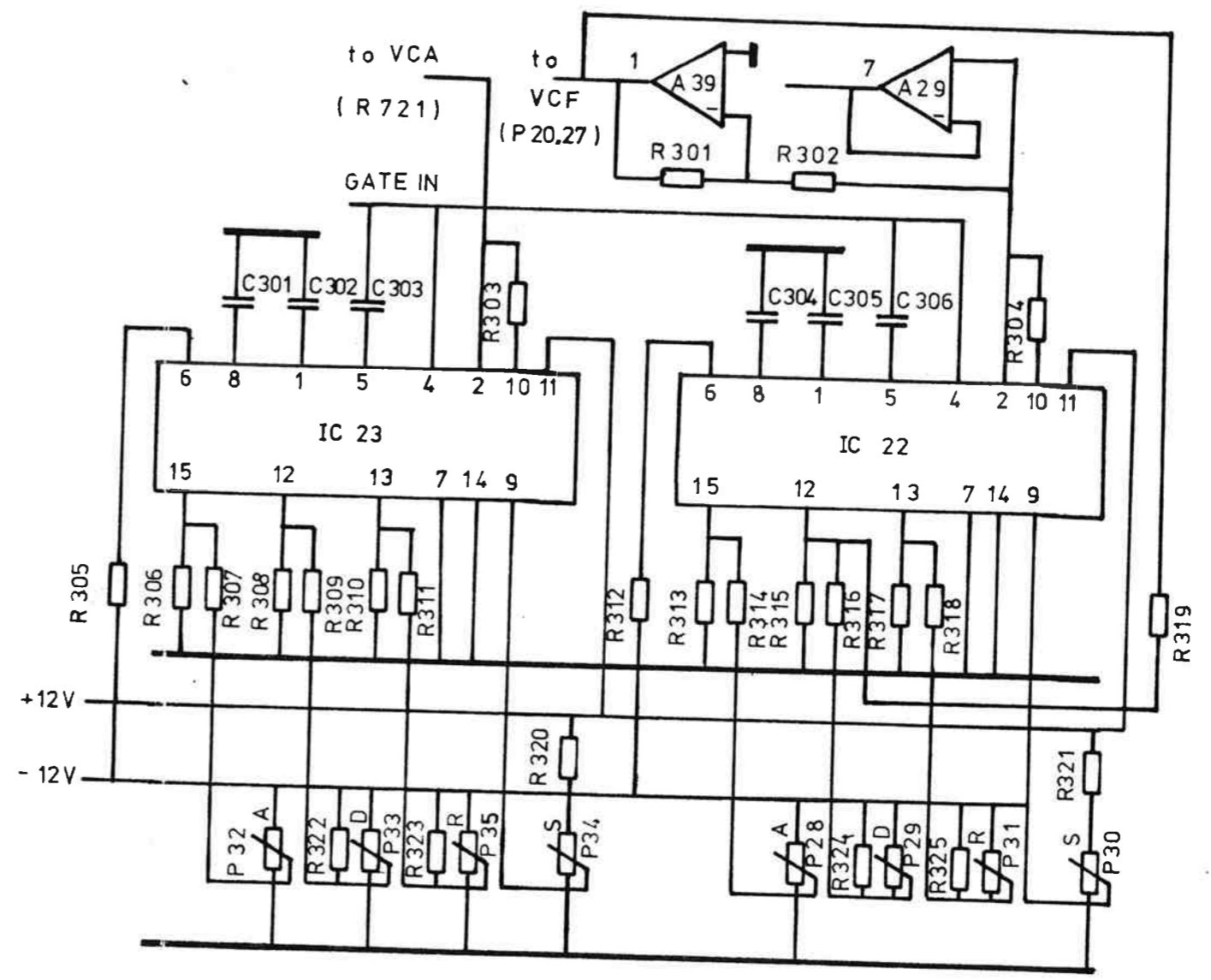
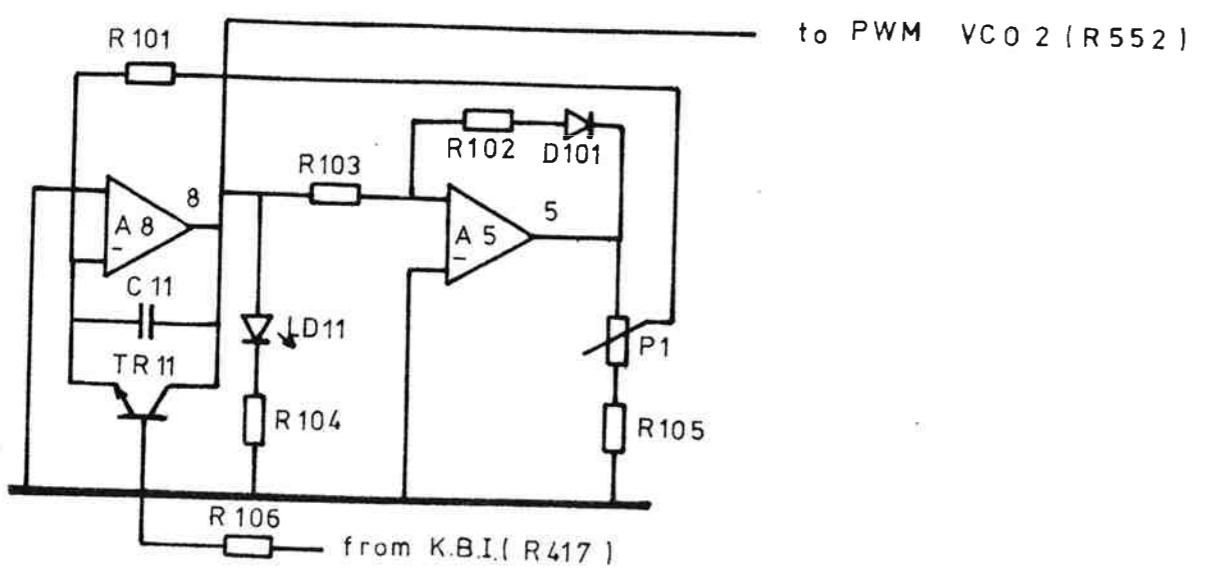
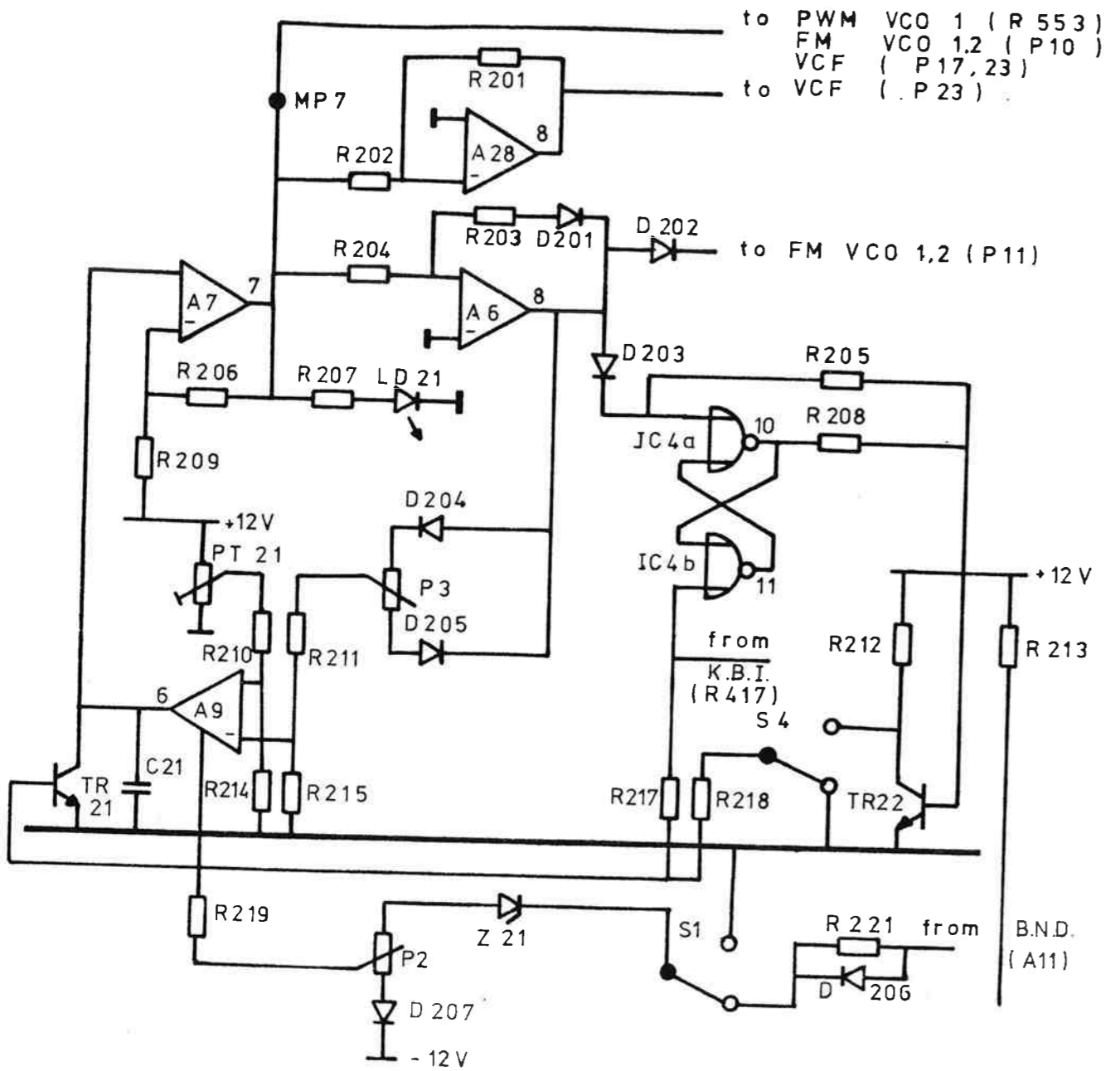
- METALFILM RES.
- IC 3/4 4001B
- A 14-17 TL074/084 [IC 8]
- A 1-4 TL074/084 [IC 1]
- A 21,22 LM 324 [IC 10]
- A 18 CA 3140 [IC 9]
- P5 1 MB
- P6 10KA



to VCO 1 [ R 508 ]  
 VCO 2 [ R 503 ]  
 VCF [ P 10 P 25 ]

*Handwritten notes:*  
 94 V  
 C = 15  
 T.P  
 D = 9

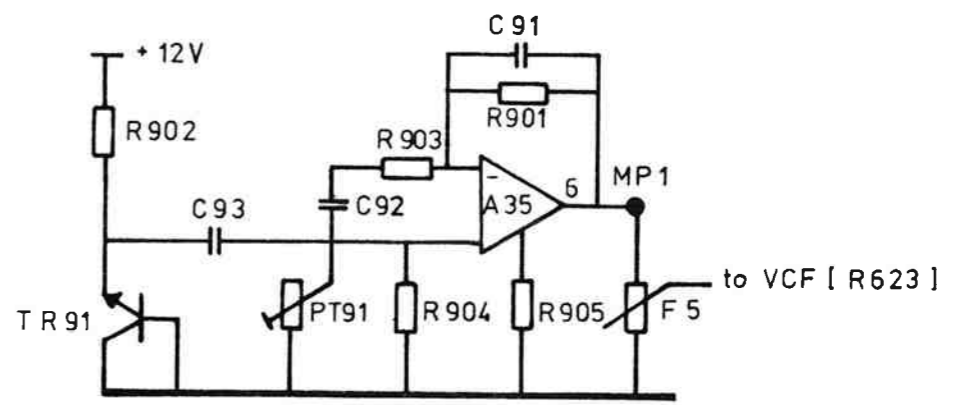
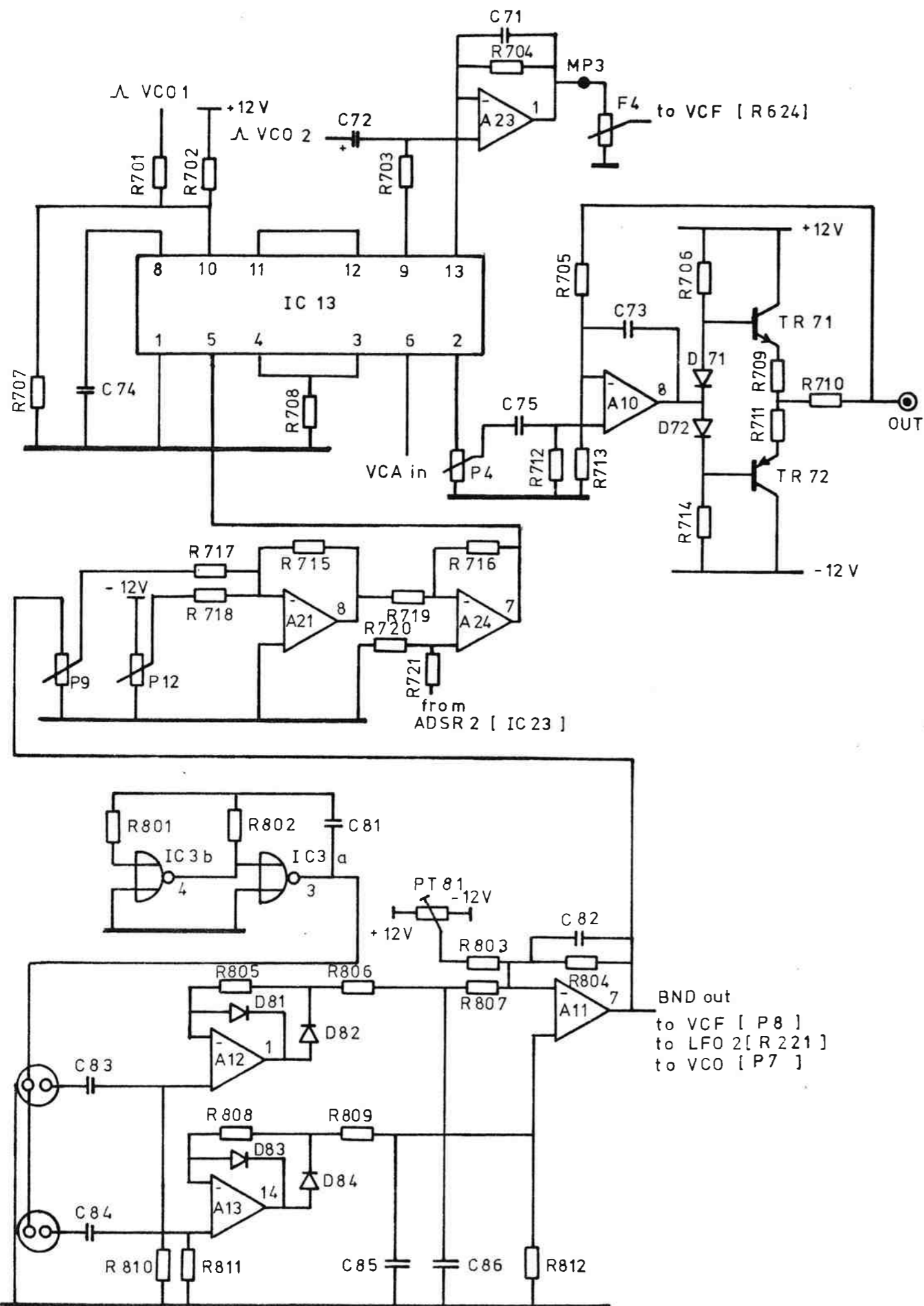
TITLE	Synth K.B. Int.		REVISIONS
SCALE			date dwg.no.
DATE	1-3-83	dwg	check
SYNTHON <sup>®</sup> HOLLAND	<i>Signature</i>		DWG. NO.



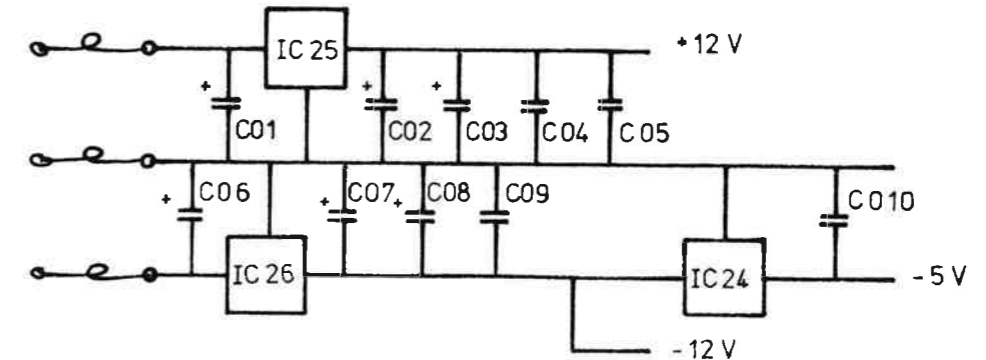
- IC 22,23 CEM 3310
- IC 4 4001B
- A 5, 8 LM 324 ( IC2 )
- A 9 CA 3080 ( IC 5 )
- A 29,28 LM 324 ( IC 15 )
- A 39 LM 324 ( IC 21 )

R=40  
C=5  
P=40  
TR=3

TITLE	Syntex L.F.O. / A.Q.S.R		REVISIONS
SCALE			date dwg.no.
DATE	1-3-83	dwg	check
		DWG. NO.	



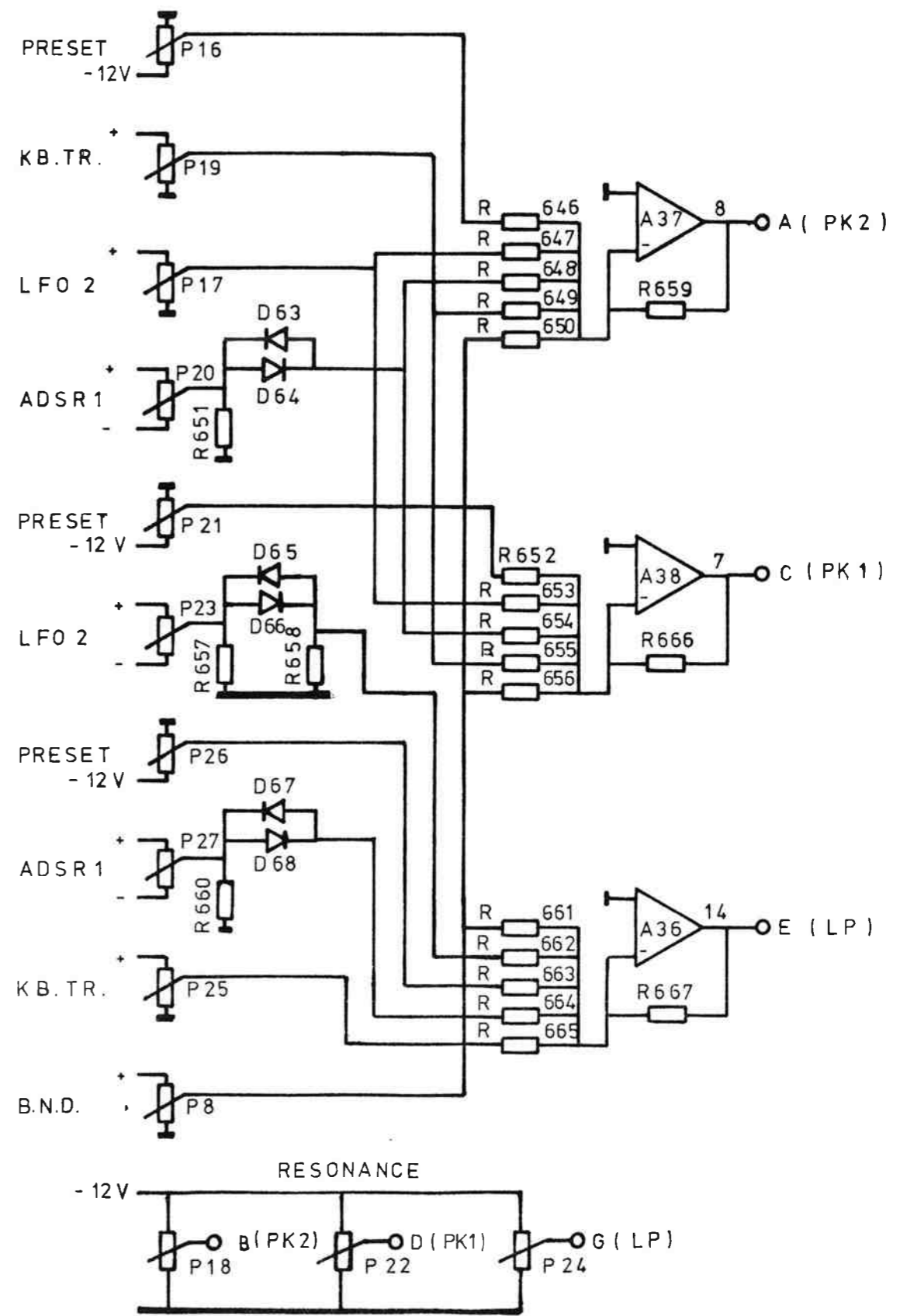
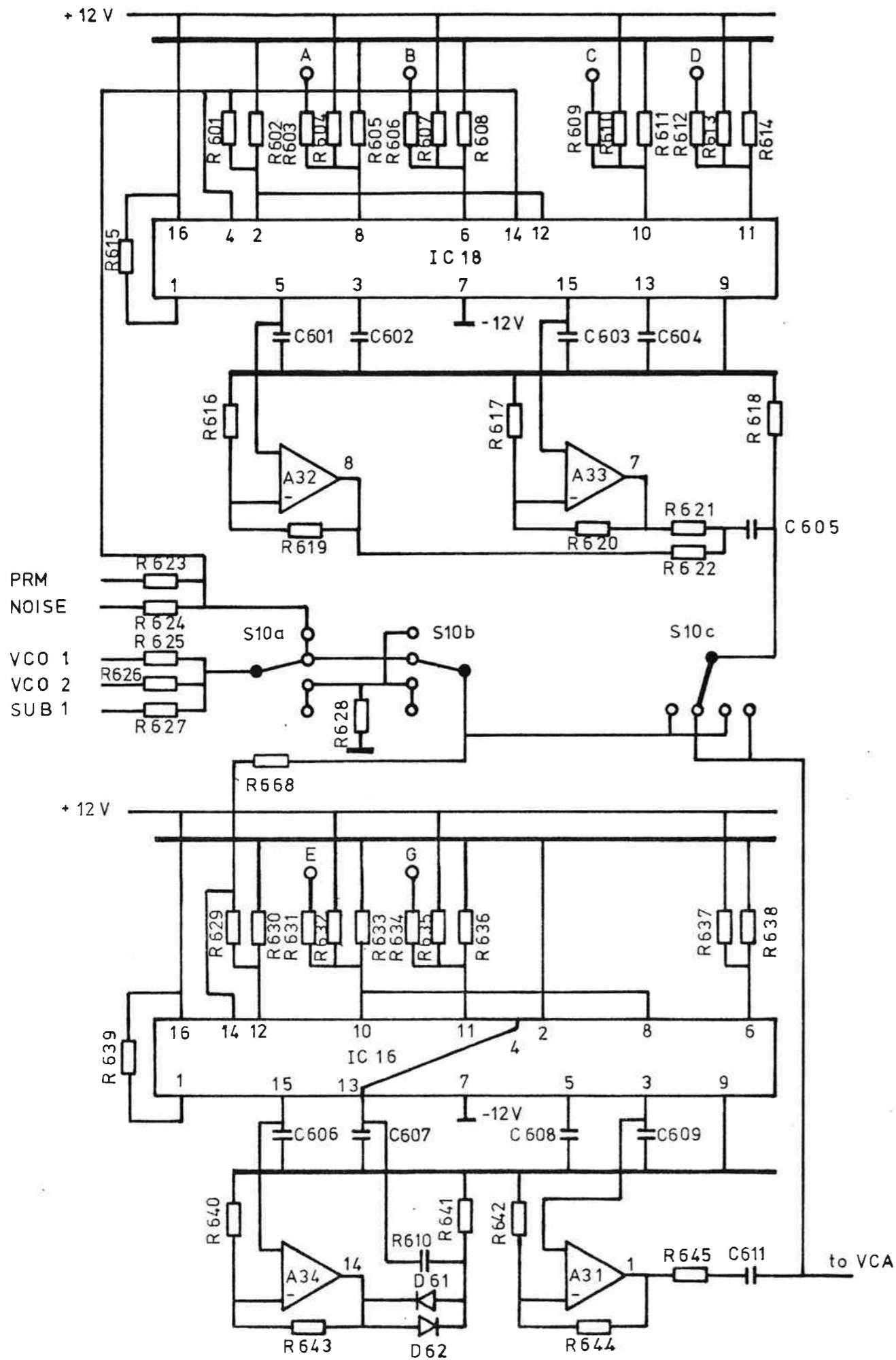
*MP1 = noise, 30% signal at 60 Hz*



- IC 13 CEM 3360 F4,5 22 KA
- IC 3 4001 B P4 10 KA
- A10-13 4741 (IC 6) P9,12 22 KA
- A 21 LM,324 (IC 10)
- A 24 4741 (IC 13)
- A 35 3080 (IC 20)
- IC 25 7812
- IC 26 7912
- IC 24 79L05

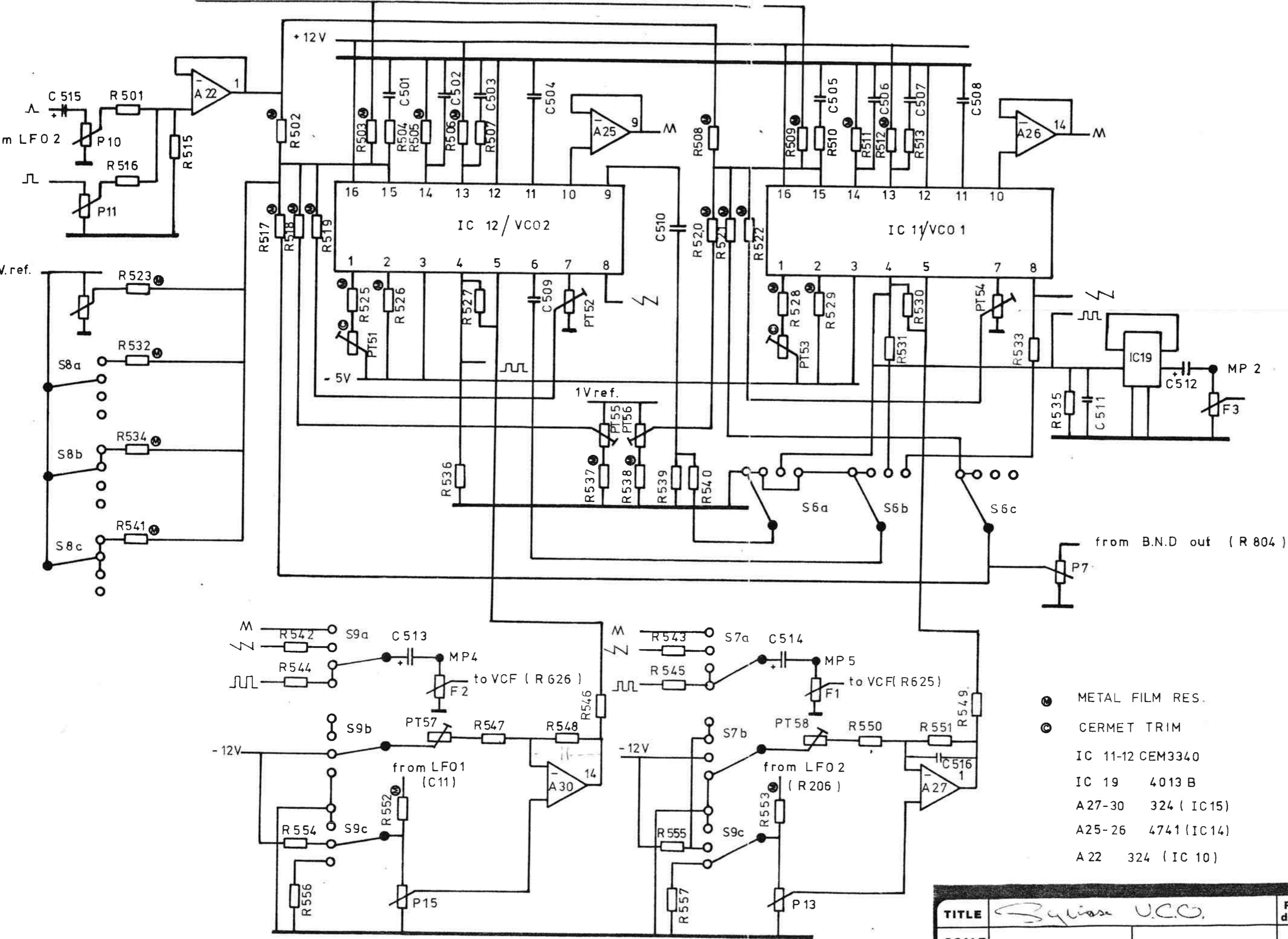
*R: 3855-20  
C: 20  
TR: 3  
D: 6*

TITLE		REVISIONS	
SCALE		date	dwg.no.
DATE		1-3-83	dwg check
DWG.NO.			



IC 16, IC 18 = CEM 3350  
 A 31 - 34 = TL074/084 (IC 17)  
 A 36 - 38 = LM 324 (IC 21)  
 P 8 - 27 22KA

TITLE		REVISIONS	
Synapse UCF		date	dwg.no.
SCALE			
DATE	1-8-83	dwg	check
SYN		DWG. NO.	



Resistor  
C-15

- METAL FILM RES.
- ◎ CERMET TRIM
- IC 11-12 CEM3340
- IC 19 4013 B
- A27-30 324 (IC15)
- A25-26 4741 (IC14)
- A22 324 (IC 10)

TITLE	Synthesizer V.C.O.		REVISIONS
SCALE			date dwg.no.
DATE	1-3-83	dwg check	
			DWG. NO.