

TEISCO

SYNTHESIZER S-110F

CIRCUIT DIAGRAM

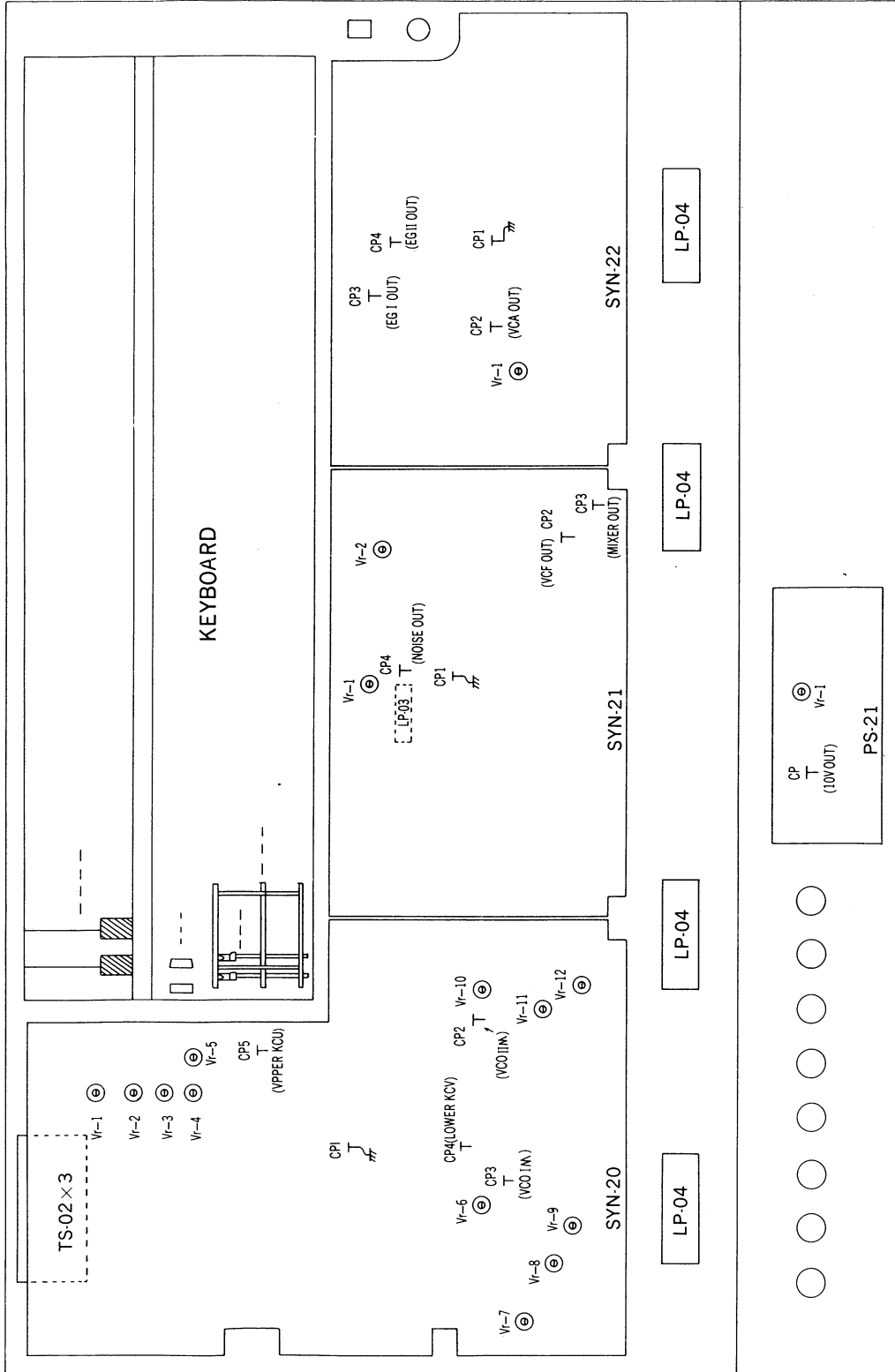
1. P.C.BD LAYOUT
2. BLOCK DIAGRAM
3. S/H, VCOI, T.S.(SYN-20, TS-02)
4. VCOII, VCF, MIXER, RING MODURATOR, LFO, NOISE GENERATOR
(SYN-21, LP-04X4, LP-03)
5. VCA, EG, FILTER BANK, POWER SUPPLY
(SYN-22, PS-21)
6. IC INFORMATION

ADJUSTMENT GUIDE

P.C. BD	Vr. No.	Description
SYN 20	-1	Transpose 1 Octave Adj
//	-2	Transpose 2 Octave Adj
//	-3	Key Slope Adj
//	-4	+ Δ Adj
//	-5	Key OFFSET Adj
//	-6	VCO I KCV Adj
//	-7	VCO I Tune Adj
//	-8	VCO I OFFSET Adj
//	-9	VCO I Range Slope Adj
//	-10	VCO II KCV Adj
//	-11	VCO II Tune Adj
//	-12	VCO II Range Slope Adj
SYN 21	-1	NOISE Level Adj
//	-2	VCF KCV Adj
SYN 22	-1	VCA OFFSET Adj
PS 21	-1	10.000V Adj

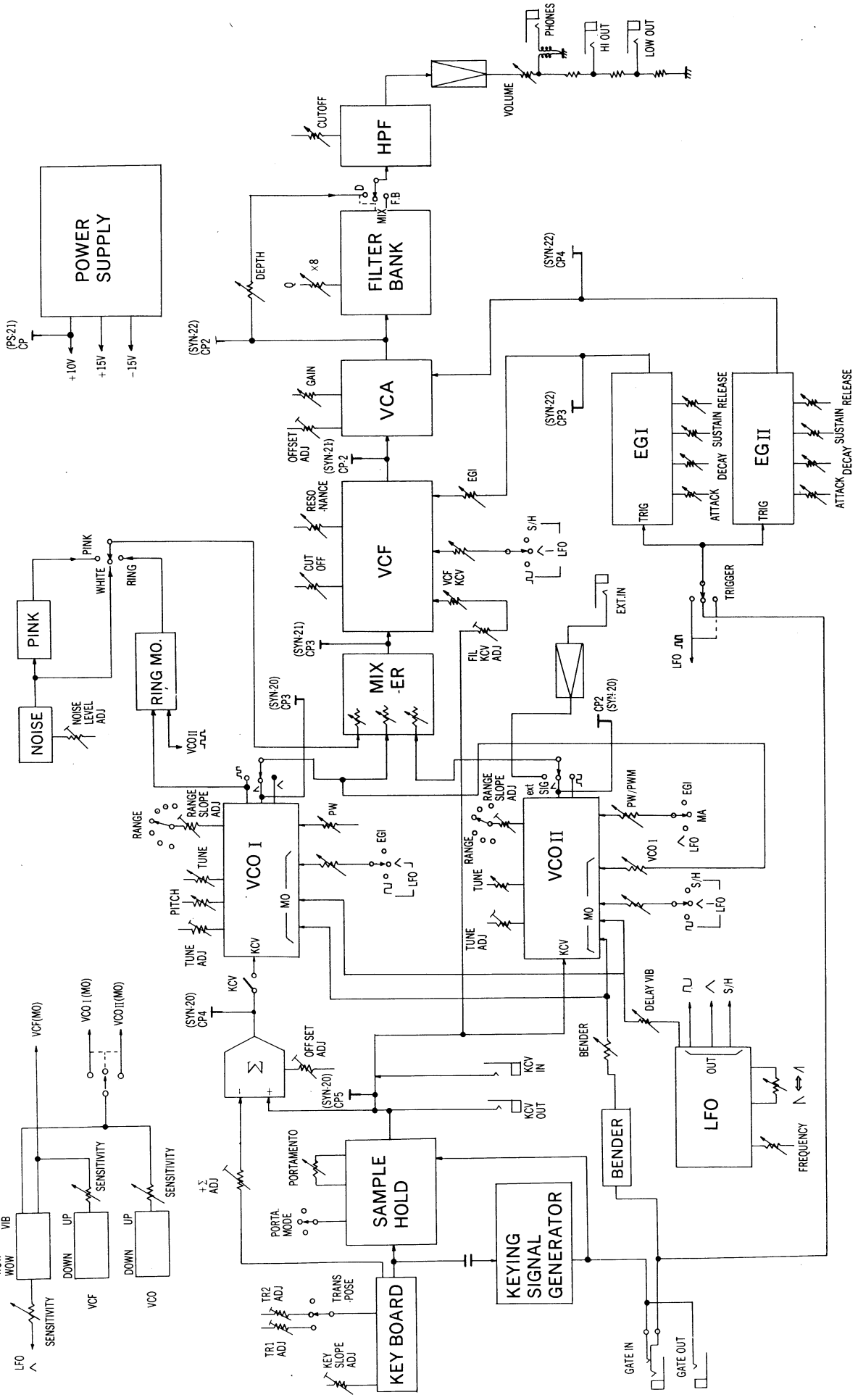
S-110F P.C. BD LAYOUT (REAR VIEW)

FRONT



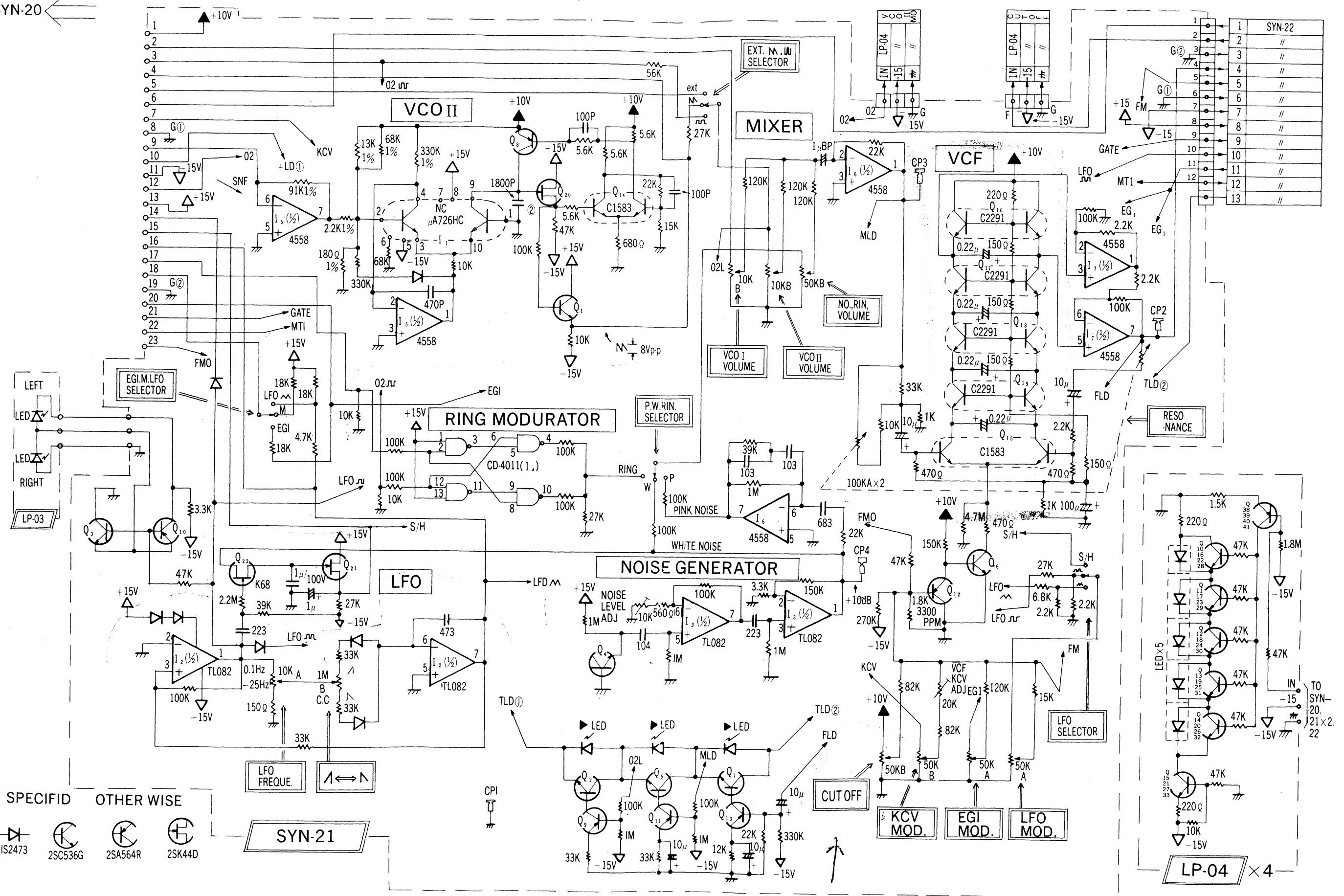
REAR

BLOCK DIAGRAM TOUCH SENSOR



SYN-21, LP-04x4, LP-03

SYN-20 ←



1	SYN-22
2	//
3	//
4	//
5	//
6	//
7	//
8	//
9	//
10	//
11	//
12	//
13	//

- SPECIFID OTHER WISE
- IS2473
 - 2SC536G
 - 2SA564R
 - 2SK44D

SYN-21

LP-04 x 4

