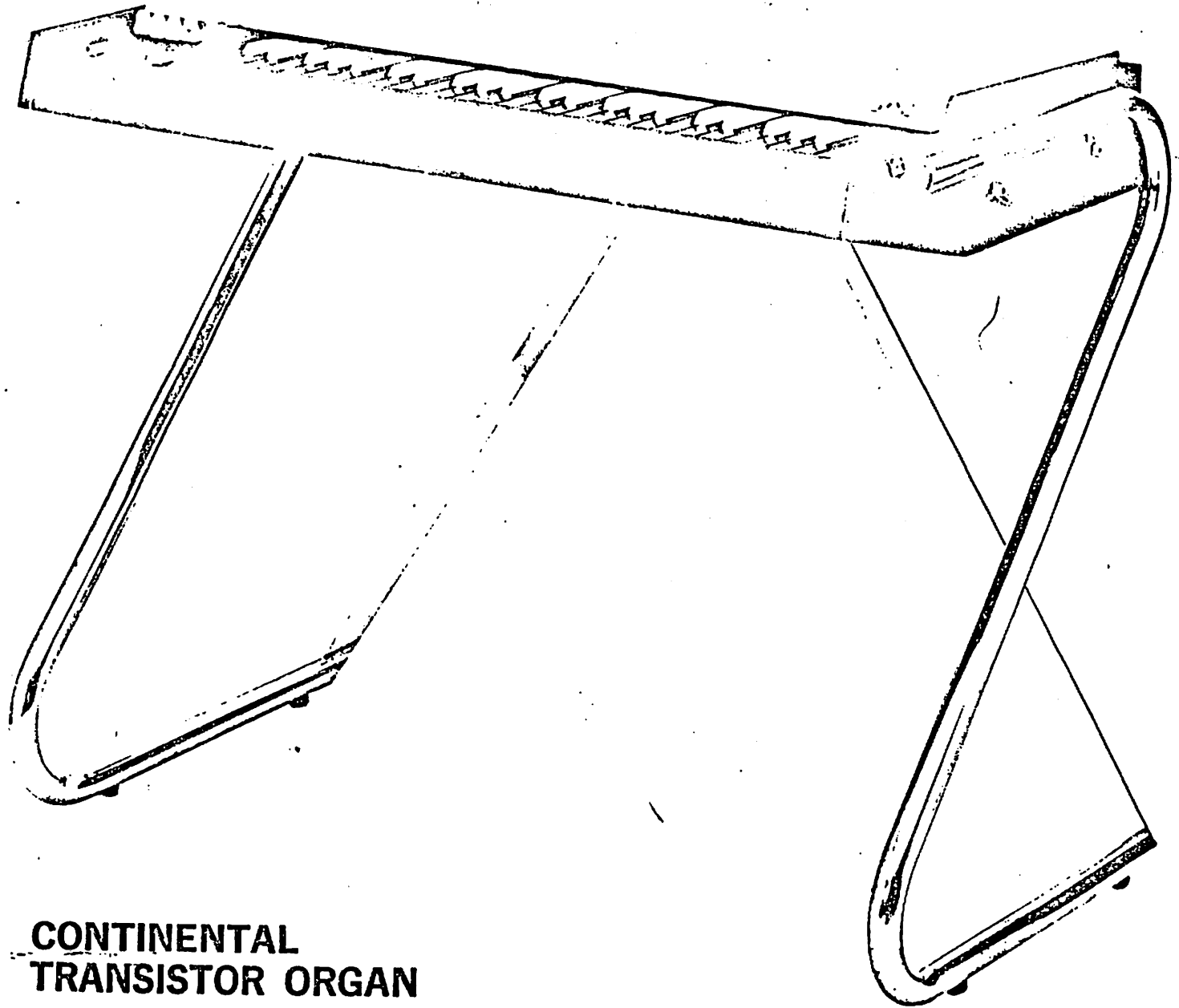


*Also not remove*

*Original*

VOX



**CONTINENTAL  
TRANSISTOR ORGAN**

*V 301*

MODEL V301J

45-5001-1	Phone Jack
84-18107-0	Phone Plug & Cable Assy. 8'
86-5083-2	Transistor, OC-35
09-7016-0	Transistor, OC-71
09-7017-0	Inductor, (C-E-G-A# Notes)
09-7018-0	Inductor, (C#-G# Notes)
09-7019-0	Inductor, (D-F-B Notes)
09-7020-0	Inductor, (D#-F#-A Notes)
09-7021-0	Trimmer Pot, 250 Ohms
09-12007-0	Lid Latch Assy.
09-7152-0	"C" Key Assy.
09-7153-0	"D" Key Assy.
09-7154-0	"E" Key Assy.
09-7155-0	"F" Key Assy.
09-7156-0	"G" Key Assy.
09-7157-0	"A" Key Assy.
09-7158-0	"B" Key Assy.
09-7159-0	"End C" Key Assy.
09-7160-0	"Sharp" Key Assy.
09-7161-0	Key Return Spring
09-7165-0	16' Drawbar Knob
09-7166-0	8' Drawbar Knob
09-7167-0	4' Drawbar Knob
09-7168-0	IV Drawbar Knob
09-7169-0	(Flute) Drawbar Knob
09-7170-0	M (Coupler) Drawbar Knob
09-7171-0	Switch, SPST (on-off or Vibrato)
09-7172-0	Draw Bar
09-7173-0	Pilot Light & Jewel
09-7175-0	"Vox Continental" Nameplate
09-7176-0	Flat Comb Spring Assy. (6 Section)
09-7177-0	Flat Comb Spring Assy. (7 Section)
09-7178-0	Keyswitch Actuator
09-7179-0	Keyswitch Contact Assy.
09-7181-0	"C" T.G. Assy.
09-7225-0	Organ Cabinet Lid (Only)
09-7226-0	Organ Cabinet Top Panel (Orange)
09-12004-0	Organ Cabinet Carrying Handle
09-12005-0	Organ Cabinet Hinge Assy.
09-7230-0	Plastic End Plug for Chrome Stand Legs
09-7232-0	Organ Stand Chrome Leg (R.H.)
09-7237-0	Drawbar P.C. Assy. (Complete)
09-7238-0	Drawbar Assy. Complete
09-7240-0	Upper Plate for Keyboard Switch Assy.
09-7251-0	Fuseholder.
43-5003-0	Fuse, 1 Amp.
09-7253-0	Fuse Socket, Chassis Mtd.
09-7254-0	Power Transformer
09-7255-0	Power Supply, Complete W/Fixed Fuse
09-7257-0	Vibrato Assy. Complete
09-5251-0	Fuseholder Cover

MODEL V301J

09-7259-0  
09-7271-0  
09-7272-0  
09-7309-0  
09-7311-0  
09-7355-0

Pre Amp Assy., Complete  
Organ AC Power Cord Complete (Heavy Duty)  
Organ AC Power Plug-Chassis Mounted (Heavy Duty)  
Flange Nut for Wing Bolt  
Zener Diode I.S. 70828  
Contact for P.C. Board (T.G., Preamp. & Vib)

CAPACITORS (all in Microfarads)

18-5095-3  
09-7025-0  
09-7026-0  
09-7027-0  
18-5114-3  
09-5542-0  
18-5124-3

2000 uF 25V (Electro)  
100 uF 16V  
5000 uF 12V (Electro)  
100 uF 16V (Electro)  
25 uF 25V (Electro)  
1000 uF 25V (Electro)  
10 uF 15V (Electro)

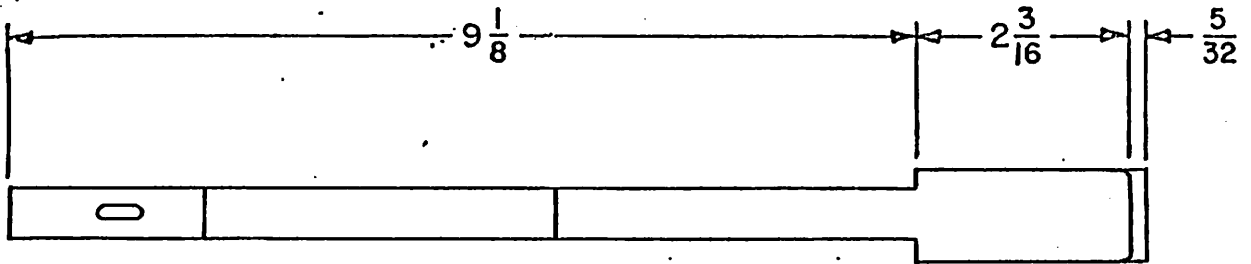
POTENTIOMETERS

09-7050-0  
09-7051-0  
09-7052-0  
09-7053-0  
09-7054-0

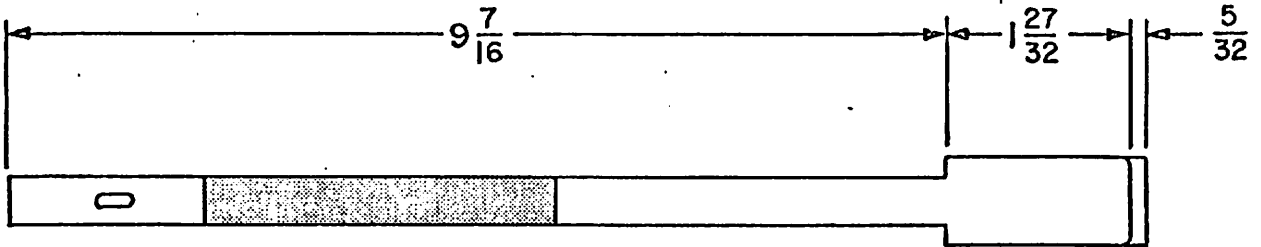
Pot, 500K Ohm, Miniature  
Pot, 100K Ohm, Miniature  
Pot, 250K Ohm, Miniature  
Pot, 2000 Ohms (Lin.)  
Pot, 25,000 Ohms (Log.)

09-7207-0

*Exp. Pot. 10/1/50*



TYPE "A"



TYPE "B"

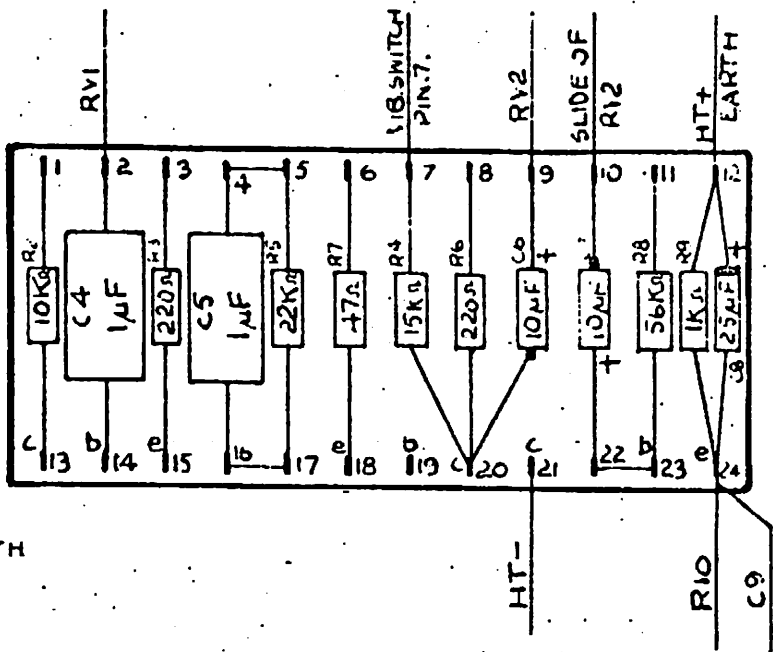
TYPE "A"

- 09-7142-0 "C" Key Assy.
- 09-7143-0 "D" Key Assy.
- 09-7144-0 "E" Key Assy.
- 09-7145-0 "F" Key Assy.
- 09-7146-0 "G" Key Assy.
- 09-7147-0 "A" Key Assy.
- 09-7148-0 "B" Key Assy.
- 09-7149-0 "End C" Key Assy.
- 09-7150-0 "Sharp" Key Assy.

TYPE "B"

- 09-7152-0 "C" Key Assy.
- 09-7153-0 "D" Key Assy.
- 09-7154-0 "E" Key Assy.
- 09-7155-0 "F" Key Assy.
- 09-7156-0 "G" Key Assy.
- 09-7157-0 "A" Key Assy.
- 09-7158-0 "B" Key Assy.
- 09-7159-0 "End C" Key Assy.
- 09-7160-0 "Sharp" Key Assy.

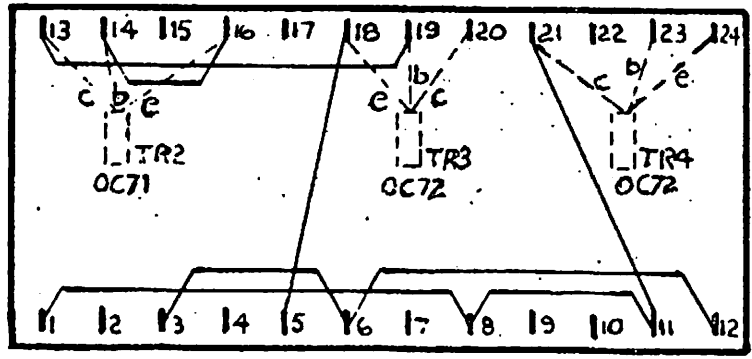
CHANGES  
ISSUE 1  
13 63



NOTES:-

RED SPOT  
COLLECTOR, B<sub>n</sub>  
EMITTER  
RED  
GREATER  
GREEN  
P. BASE

TRANSISTOR LEAD OUT  
WIRES TO BE SLEEVED WITH  
COLOURS AS SHOWN



VIEW SHOWING UNDERSIDE  
WIRING & TRANSISTOR POSITIONS

JENNINGS MUSICAL INDUSTRIES LTD

COMPONENT BOARD FOR  
VIB. POWER PACK

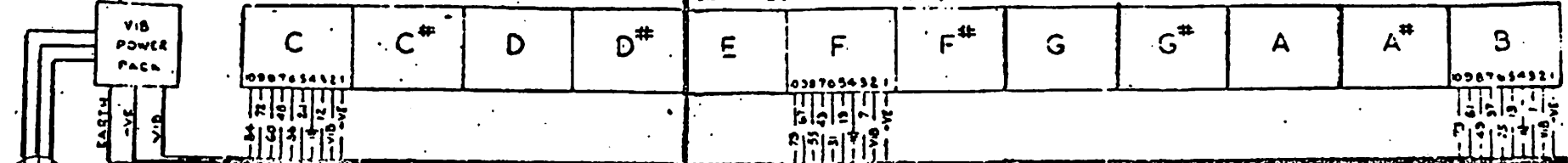
DR. A. J.	CHKD. J. F.
DES. APP.	ENG. APP.

SERVICE SHEET

05/064

SEE DRG NO 05/028

FOR GENERATORS SEE TC/049 & 05/027



FOR L/F NO. SEE DRG NO T0/045



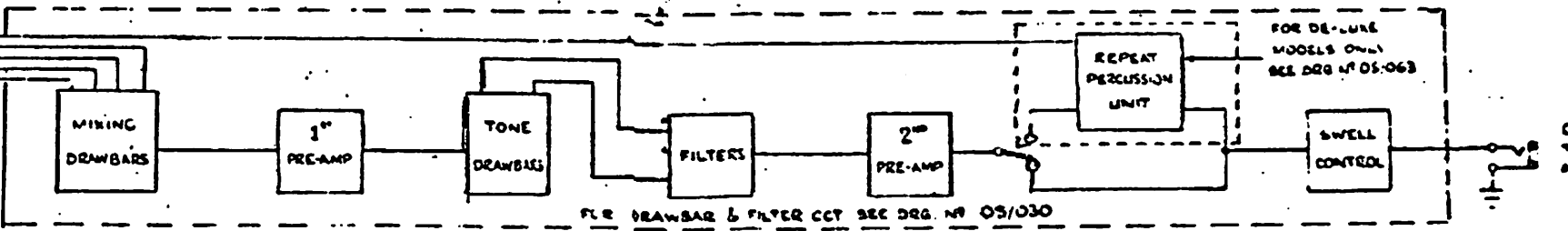
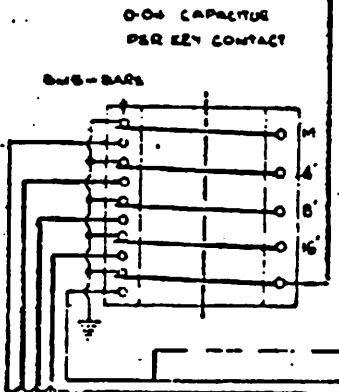
FOR MODULATOR ASST SEE DRG NO T0/040 & T0/042



FOR C/F NO 2 SEE DRG NO T0/046

KEY NO.	1	2	3	4	5	6	7	8	9	10	11	12	13	14	15	16	17	18	19	20	21	22	23	24	25	26	27	28	29	30	31	32	33	34	35	36	37	38	39	40	41	42	43	44	45	46	47	48	49							
NOTE			31	35	43	48			41	44	48	51	55	60	67	73			19	27	31	36	43	48	55	60	67	73			7	15	17	24	31	36	43	48	55	60	67	73			7	15	17	24	31	36	43	48	55	60	67	73

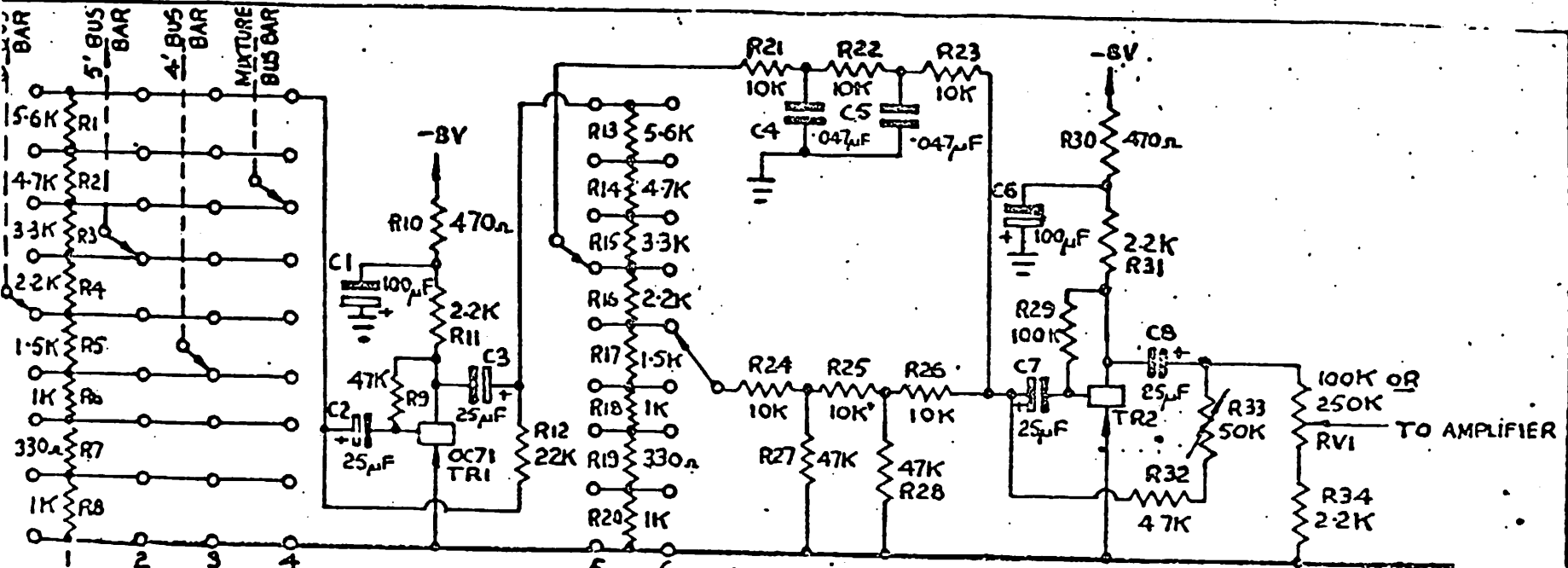
FOR CONTACT ASST SEE DRG NO T0/039



FOR DRAWBAR & FILTER CCT SEE DRG NO 05/030

2 11-2 65 M/T 10/13-14 23-11-64	SCALE		TITLE CONTINENTAL ORGAN 7 OCTAVE BLOCK WIRING DIAGRAM JENNINGS MUSICAL INDUSTRIES LTD DARTFORD KENT	DRG NO	05/064
	MATD			DRG NO	05/064
	FW			DRG NO	05/064
	TOL			DRG NO	05/064

CHANGES  
ISSUE R  
2-4-63



DRAW BARS. 1<sup>ST</sup> PRE-AMPLIFIER. DRAW BARS. TONE FILTERS 2<sup>ND</sup> PRE-AMPLIFIER SWELL CONTROL

R1	RES.	5600Ω ±10%	R9	RES.	4700Ω ±10%	R13	RES.	5600Ω ±10%	R27,R28	RES.	4700Ω ±10%	R29	RES.	100,000Ω ±10%	RV1	LIM. POT. ENT.	100K OR 250K
R2	RES.	4700Ω ±10%	R11	RES.	2200Ω ±10%	R14	RES.	4700Ω ±10%	R21-R26	RES.	10,000Ω ±10%	R33	RES.	50,000Ω ±10%	R34	RES.	2200Ω ±10%
R3	RES.	3300Ω ±10%	R10	RES.	470Ω ±10%	R15	RES.	3300Ω ±10%	C4, C5	CAPACITOR MULLARD	.047μF	R32	RES.	4700Ω ±10%			
R4	RES.	2200Ω ±10%	C1	CAPACITOR MULLARD	100μF 16V	R16	RES.	2200Ω ±10%				R31	RES.	2,200Ω ±10%			
R5	RES.	1500Ω ±10%	C2, C3	CAPACITOR MULLARD	25μF 25V	R17	RES.	1500Ω ±10%				R30	RES.	470Ω ±10%	REF. COMP.	VALUE	
R6	RES.	1000Ω ±10%	TR1	OC71 MULLARD		R18, R20	RES.	1000Ω ±10%				C6	CAPACITOR MULLARD	100μF 10V			
R7	RES.	330Ω ±10%				R19	RES.	330Ω ±10%				C7, C8	CAPACITOR MULLARD	25μF 25V			
												TR2	OC71 MULLARD				
EF. COMP.	VALUE	REF. COMP.	VALUE	REF. COMP.	VALUE	REF. COMP.	VALUE	REF. COMP.	VALUE	REF. COMP.	VALUE						

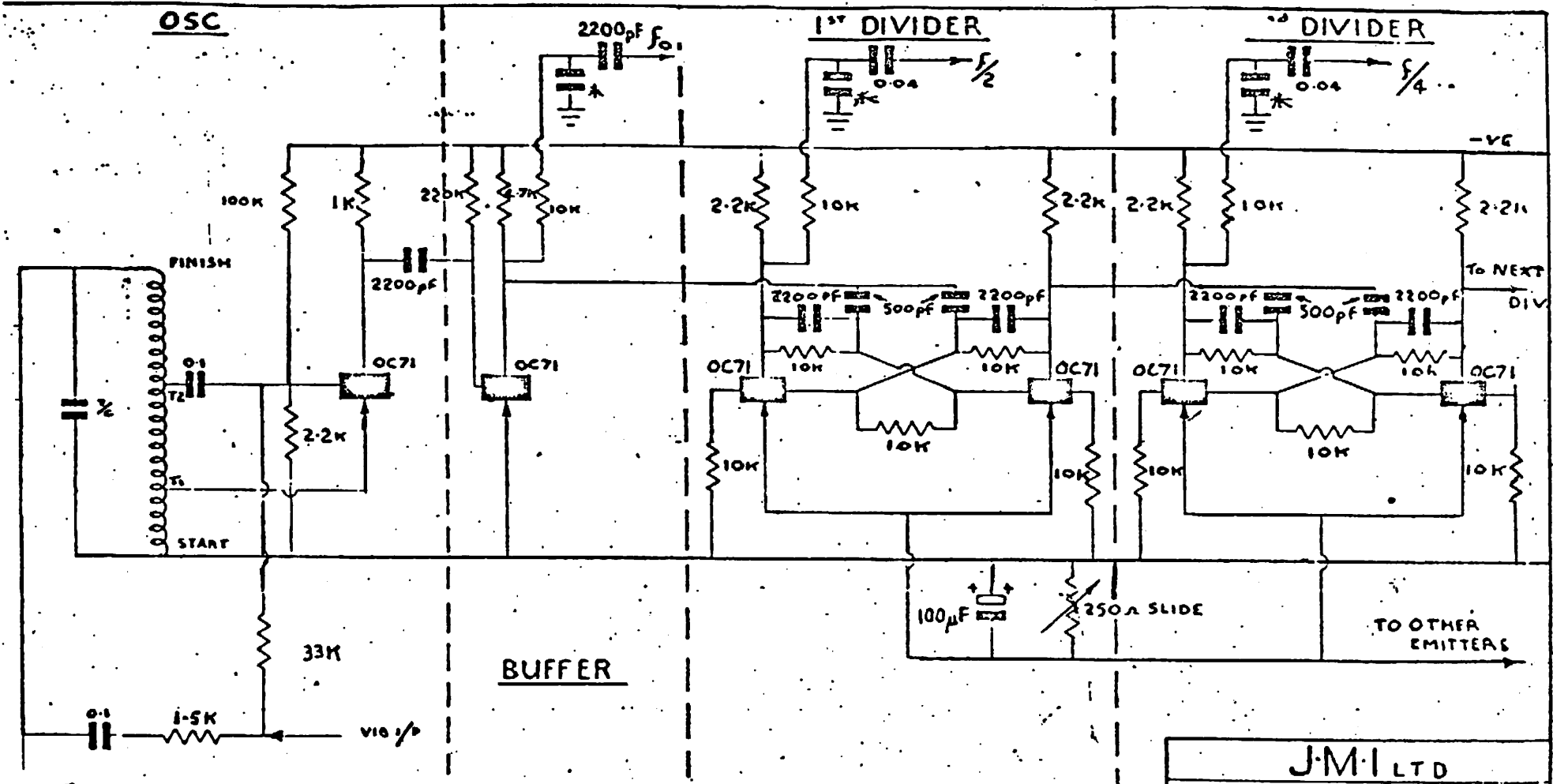
JENNINGS MUSICAL INDUSTRIES LTD

CONTINENTAL ORGAN  
CCT. DGM. OF DRAW BARS, TONE FILTERS  
PRE-AMPS & SWELL CONTROL

DES. M.T. CHRD.  
DEL APP. CAG APP.

L101800

CS/030



FOR  $\frac{1}{2}$  SEE DATA.  
 FOR COIL SEE DATA.  
 \* SEE CHART.

CHANGES	15K WAS 2.2K
Issue I	ISS. 2. 2/563
19-2-63	
2200pf WAS 0.04	
1K WAS 2.2K.	
220K WAS 200K.	
33K WAS 100K.	

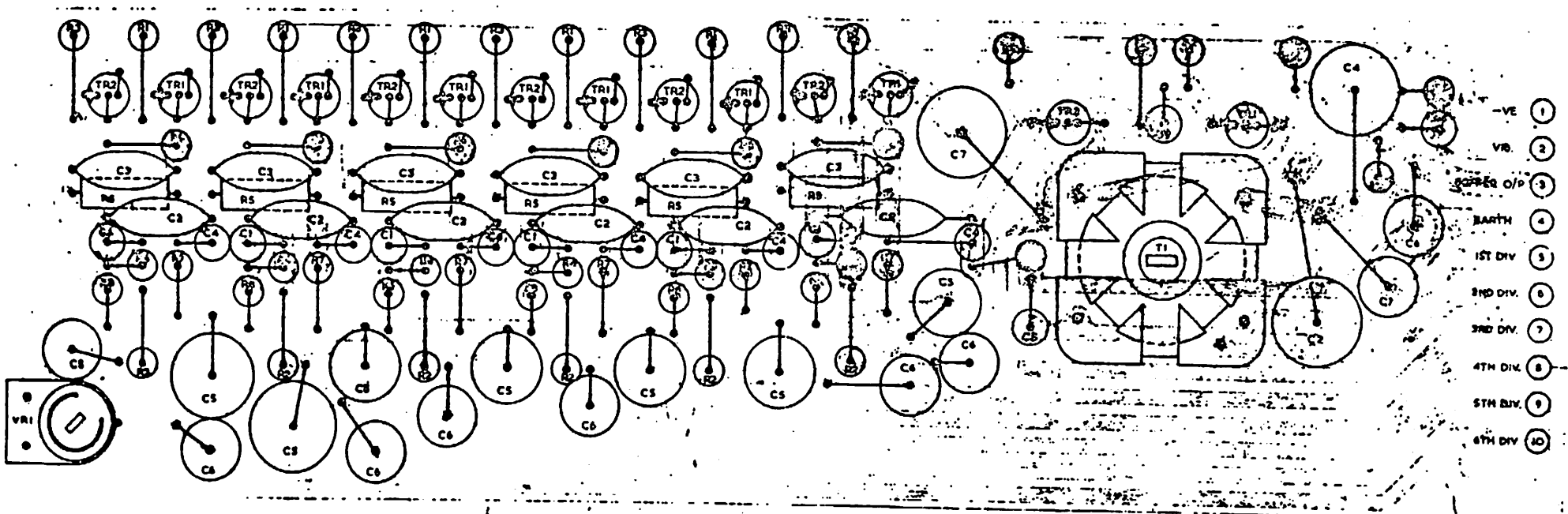
**J.M.I. LTD**

**TRANSISTOR ORGAN  
GENERATORS & DIVIDERS**

094	A.J	C.M.M.
094/10	10/10	10/10

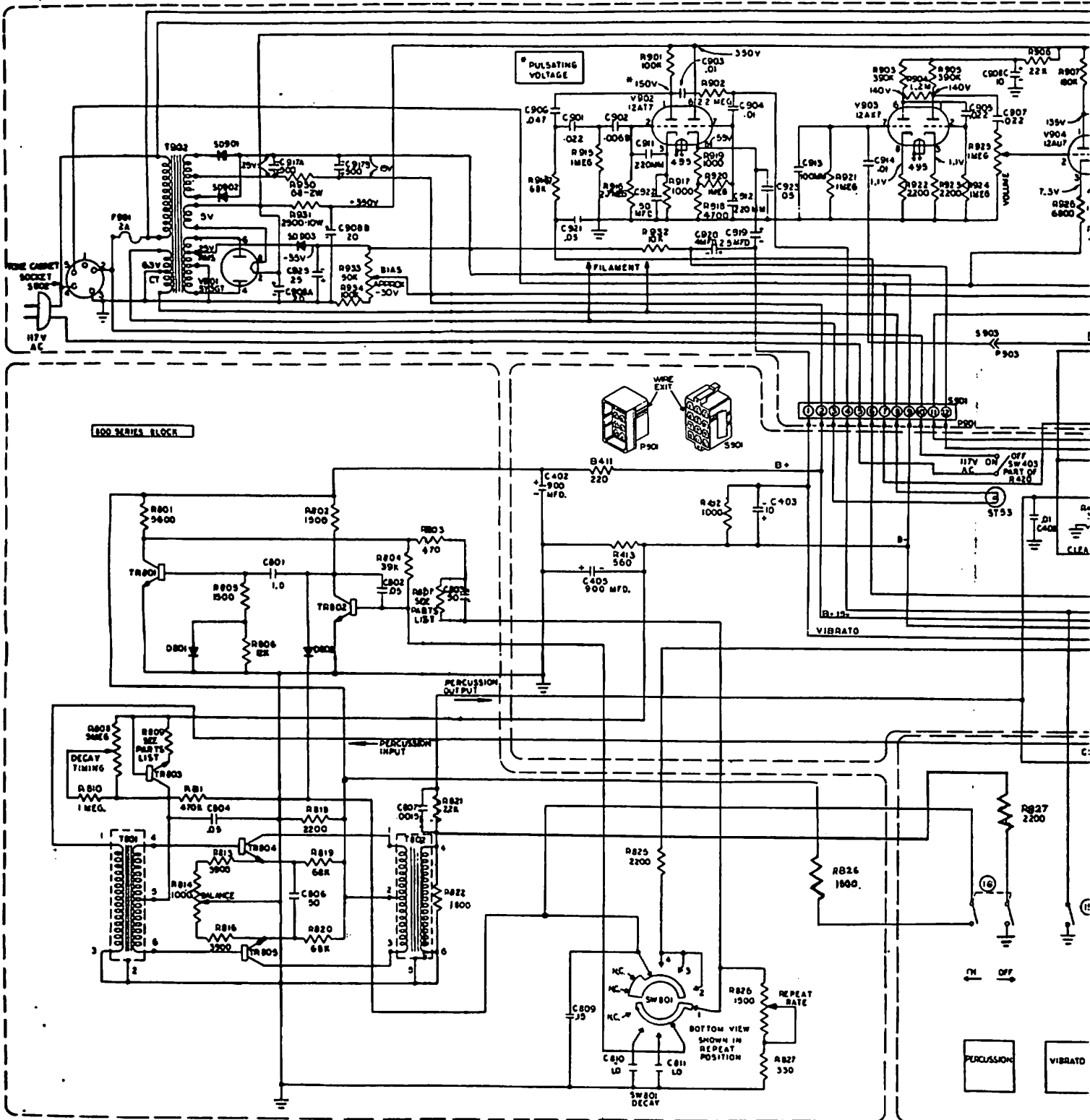


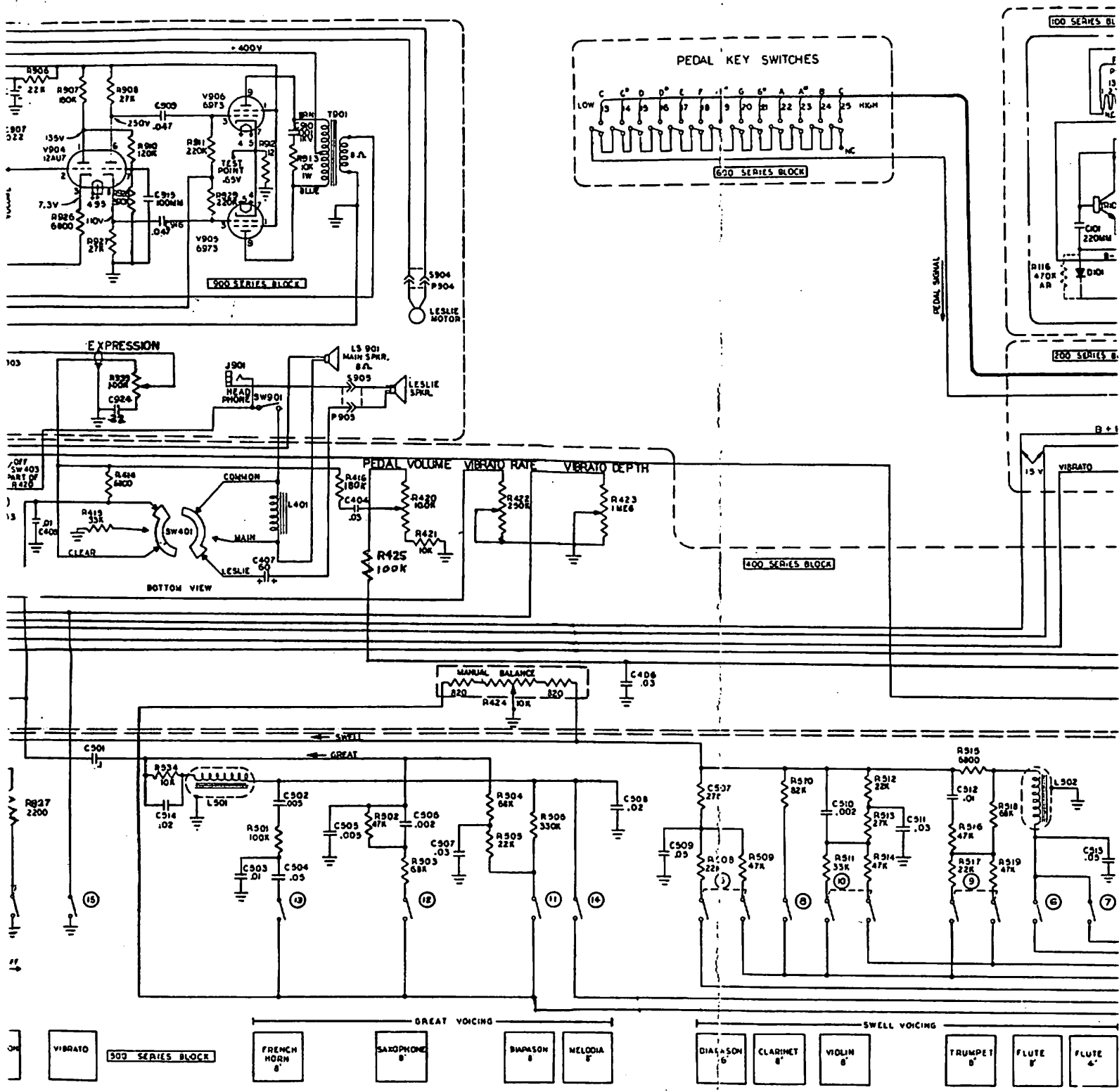




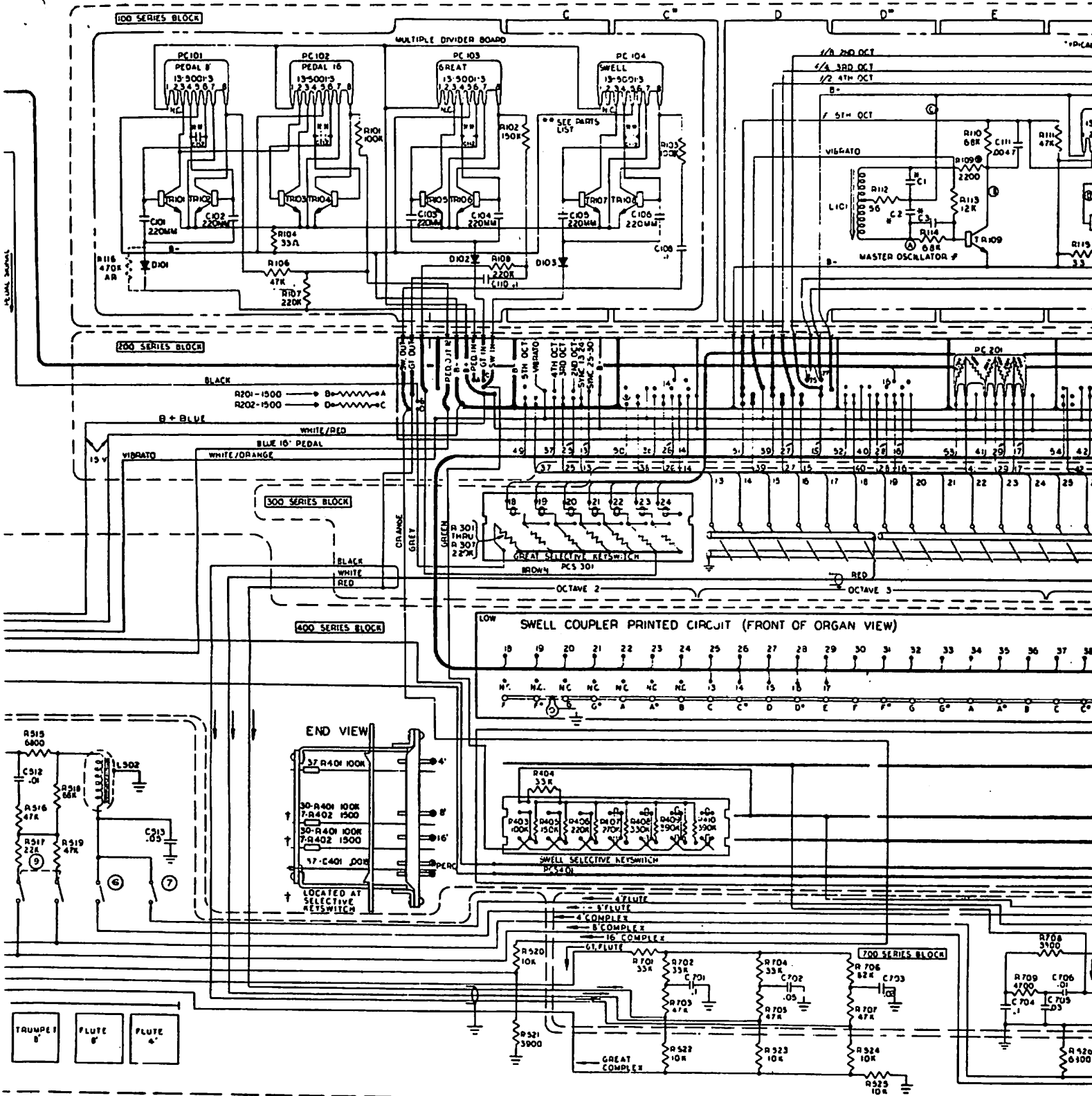
BOARD VIEWED FROM CONVENT SIDE

CONTINENTAL ORGAN  
7 OCTAVE GENERATOR & DIVIDER BOARD  
CONVENT LAYOUT TO/549  
JENNINGS MUSICAL INDUSTRIES LTD  
DARTFORD KENT

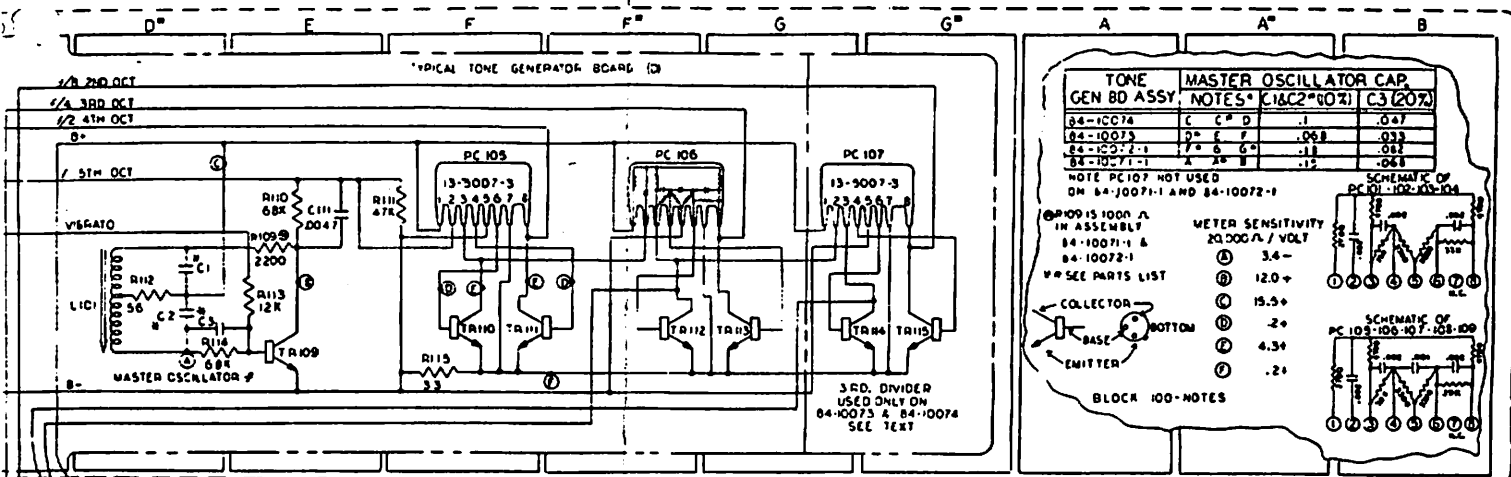




# TL-2 SCHEMATIC



**CMATIC**



TONE GEN BD ASSY	MASTER OSCILLATOR CAP NOTES*			C3 (20%)
	C	F	D	
84-10074				.047
84-10073				.033
84-10072-1				.022
84-10071-1				.015

NOTE PC107 NOT USED ON 84-10071-1 AND 84-10072-1

SCHEMATIC OF PC 101-102-103-104

SCHEMATIC OF PC 105-106-107-108-109

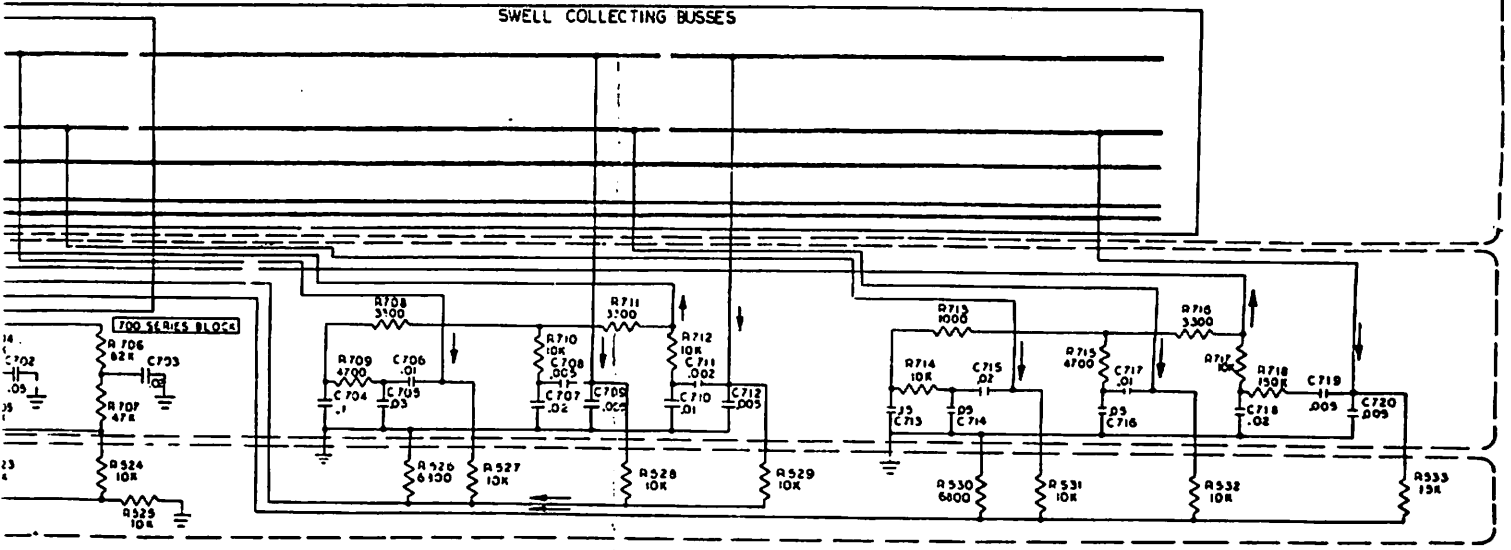
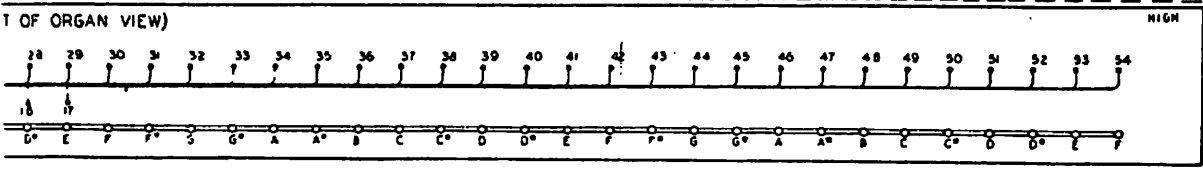
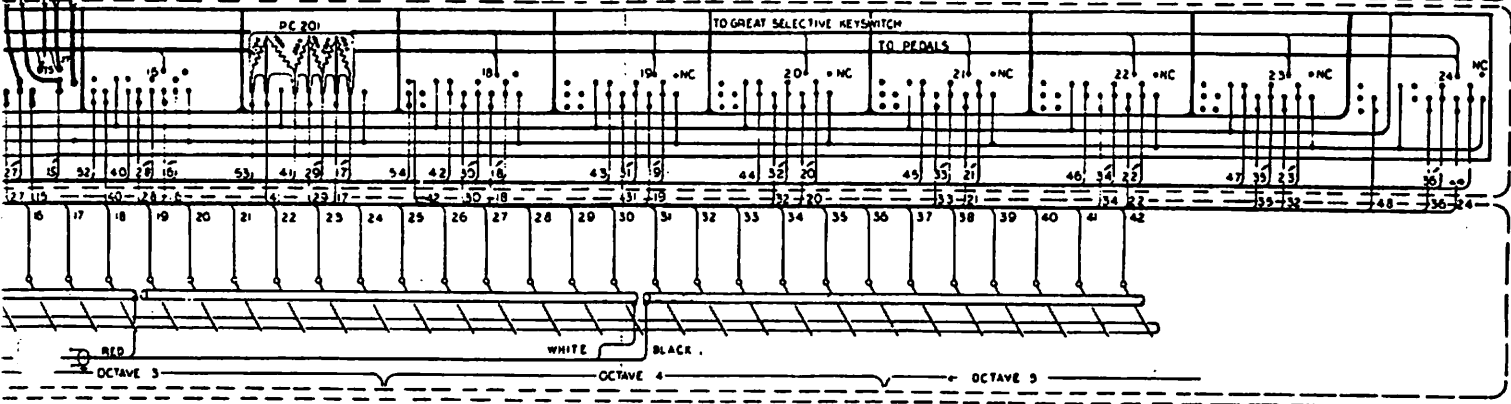
W METER SENSITIVITY

84-10071-1 & 84-10072-1	20,000 $\mu$ / VOLT
①	3.4-
②	12.0+
③	15.3+
④	2.0
⑤	4.30
⑥	.24

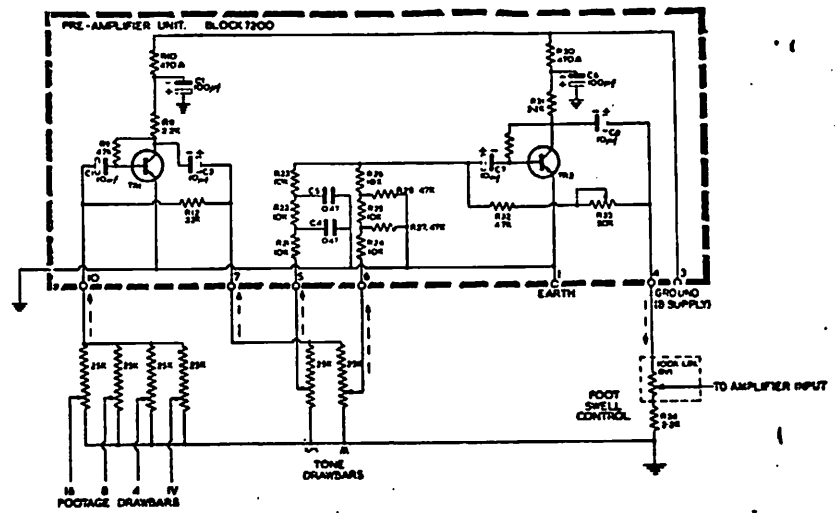
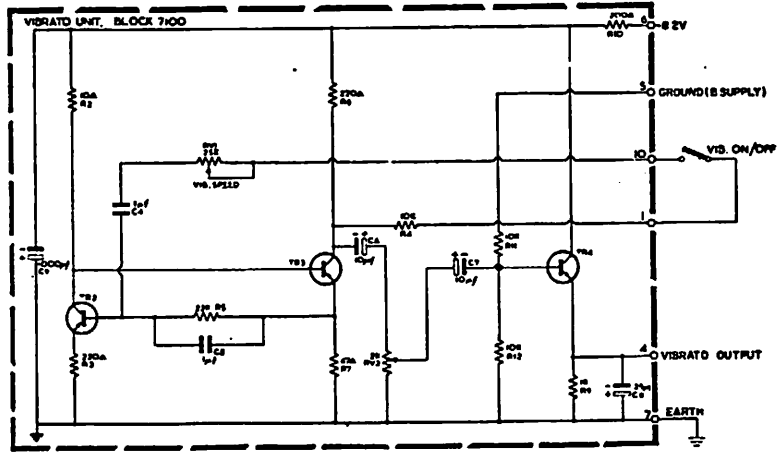
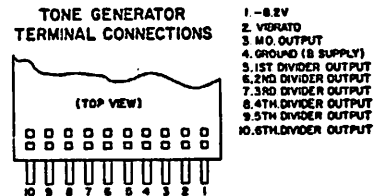
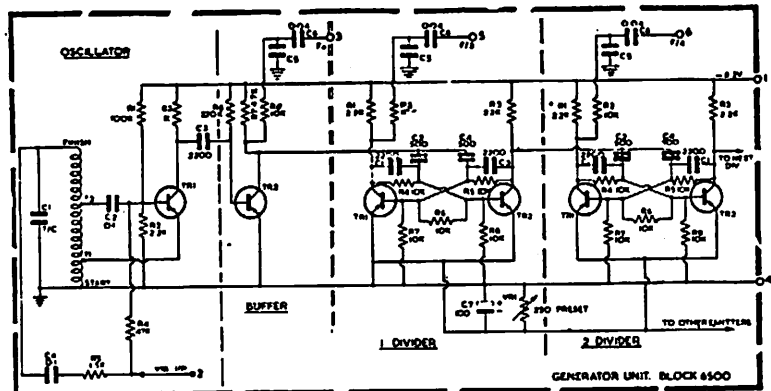
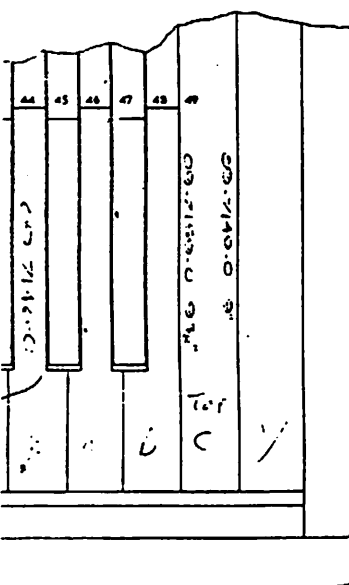
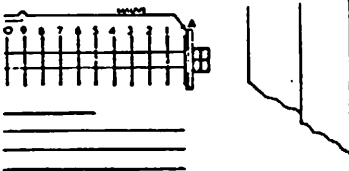
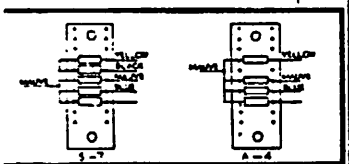
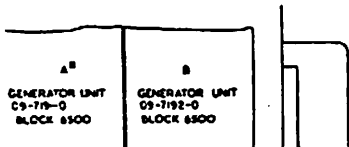
W SEE PARTS LIST

COLLECTOR BASE EMITTER

BLOCK 100-NOTES

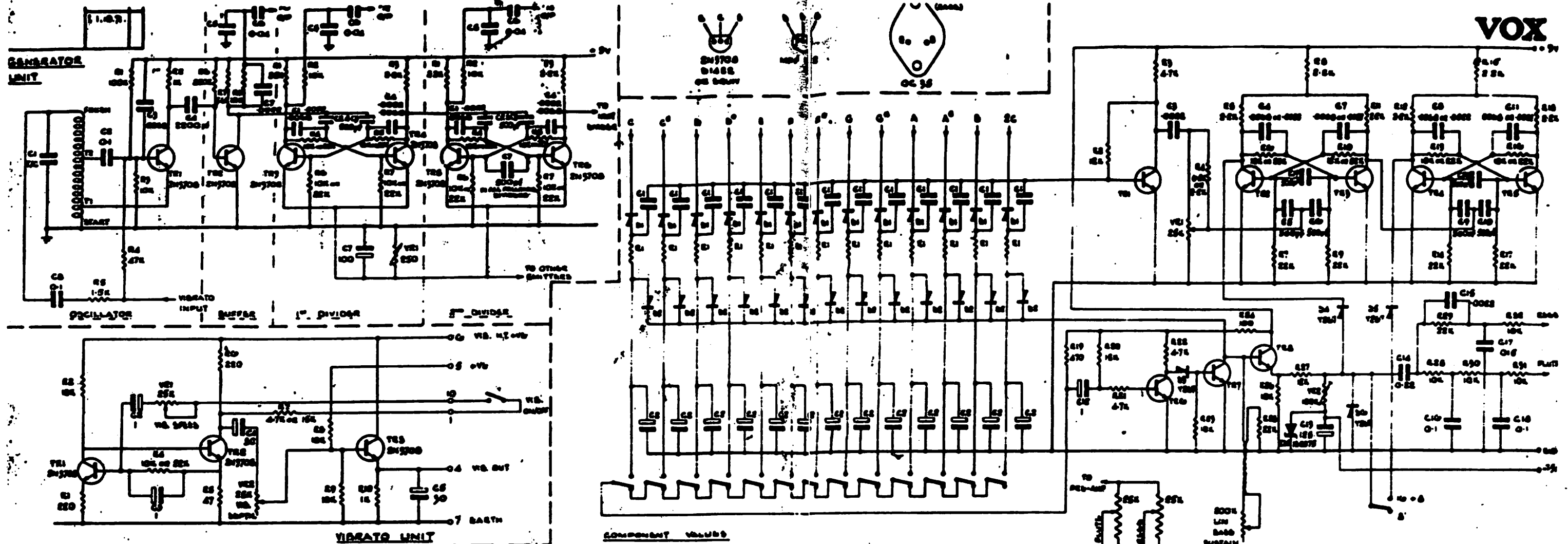




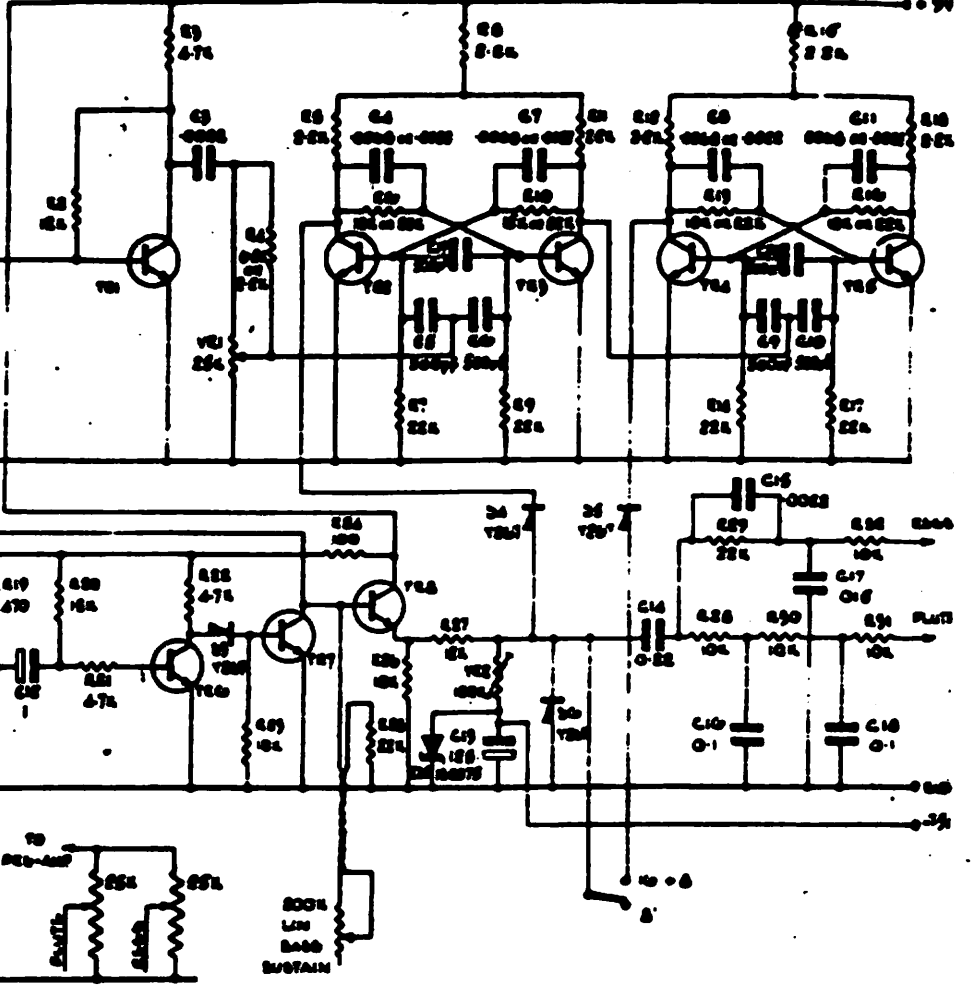
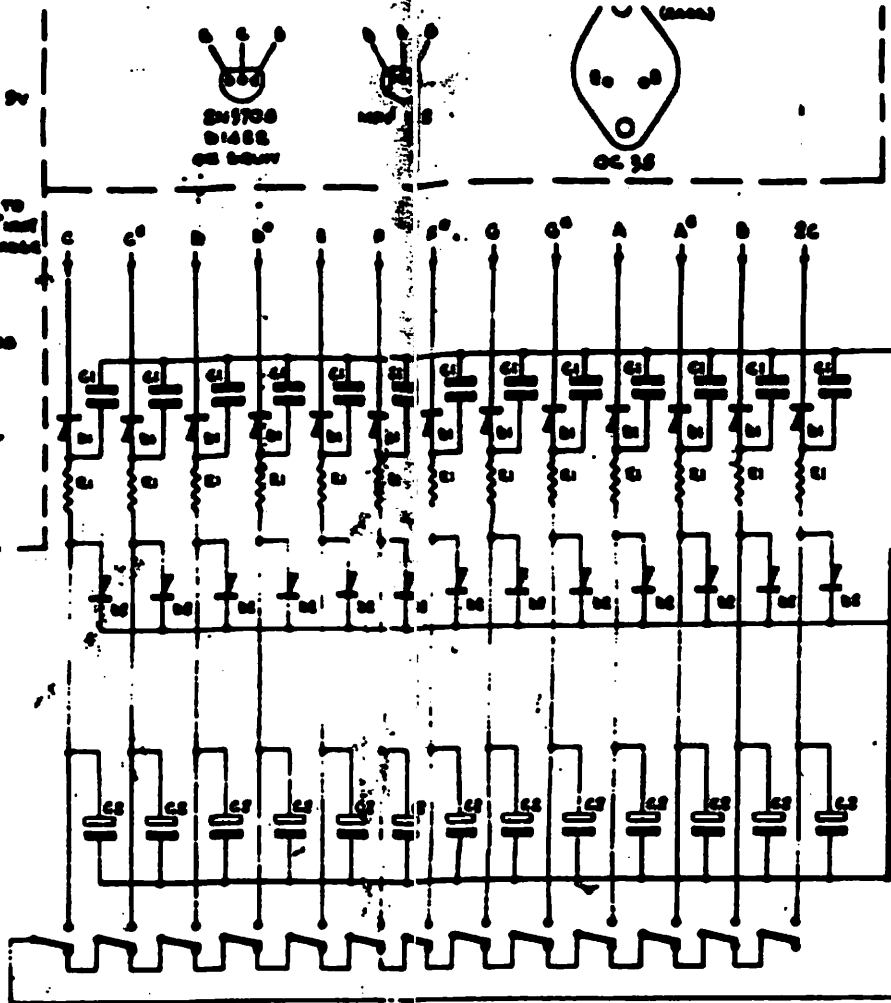




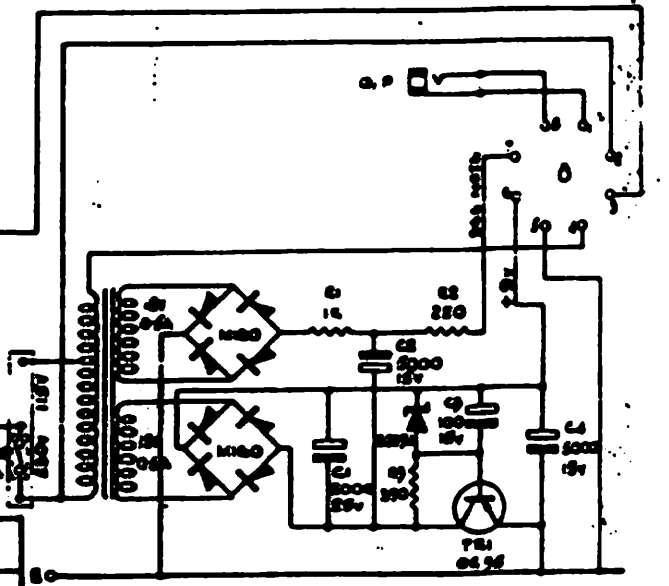
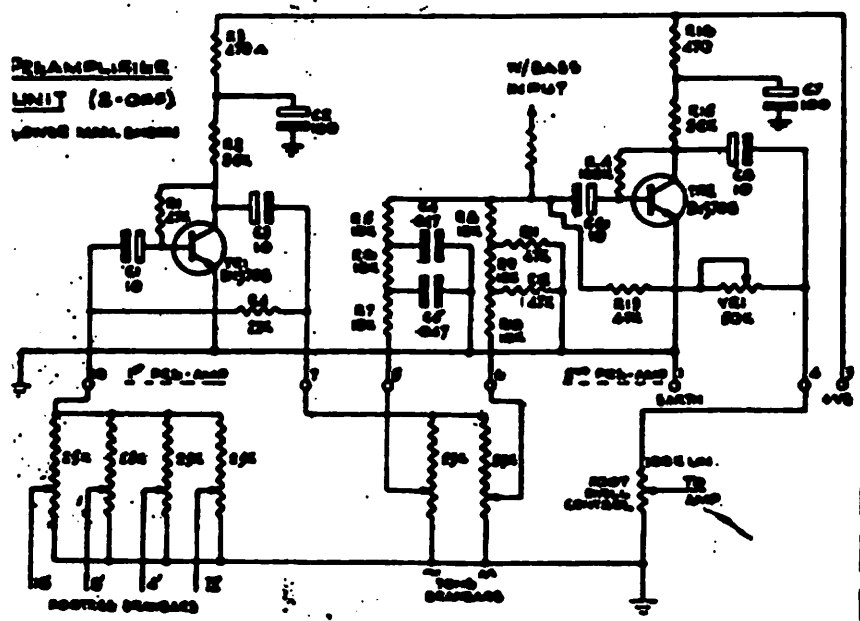
VOX



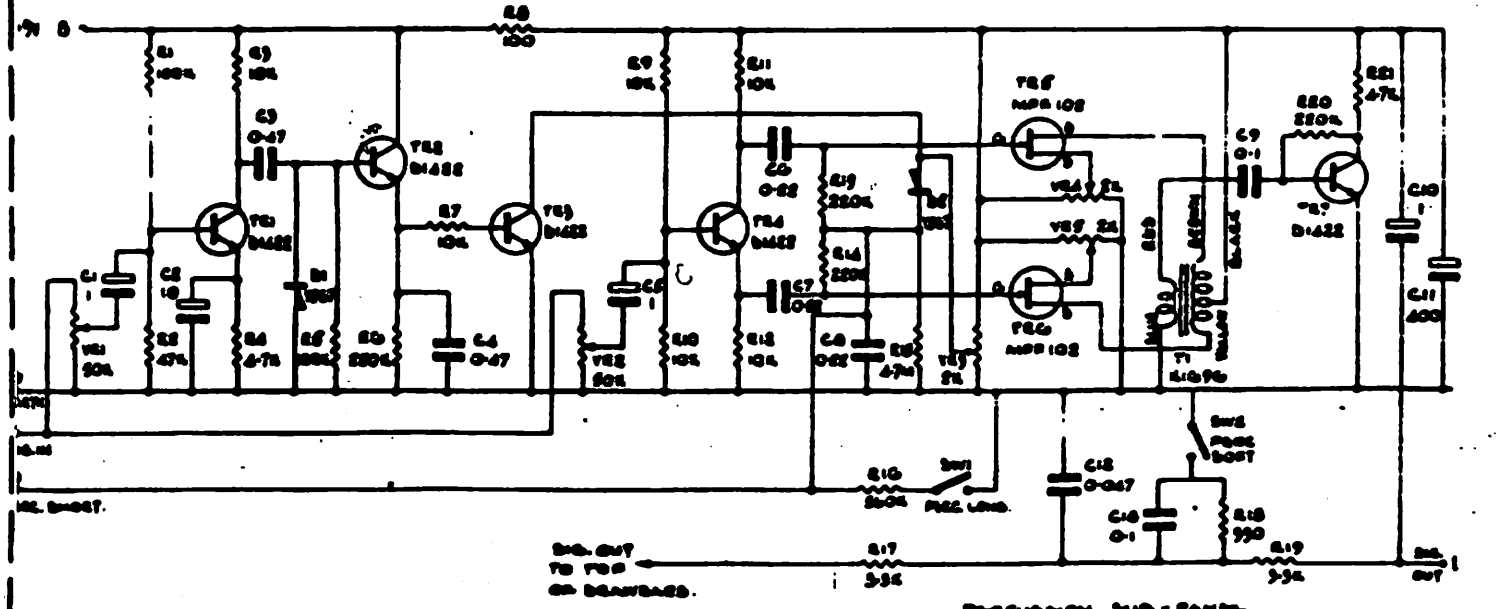
COMPONENT VALUES  
 C1 - 0.001 $\mu$ F, C2 - 0.1 $\mu$ F, 25V  
 R1 - 100K  
 R2 - 50K, 250V  
 ALL TRANSISTORS 2N3706 OR EQUIV.



WALKING BASS UNIT



NOTE: APPLY 12V DCS LOAD, WHEN CONNECTED TO ORGAN - 7.5V.

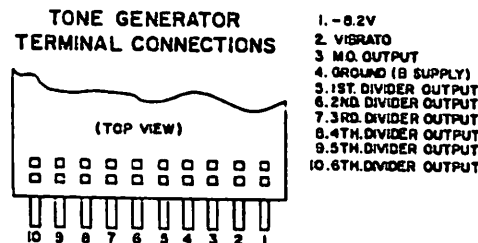
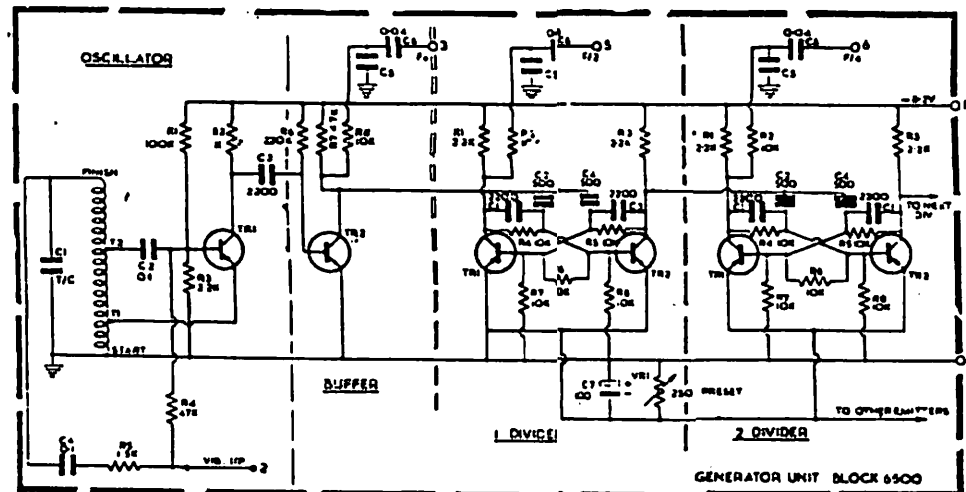
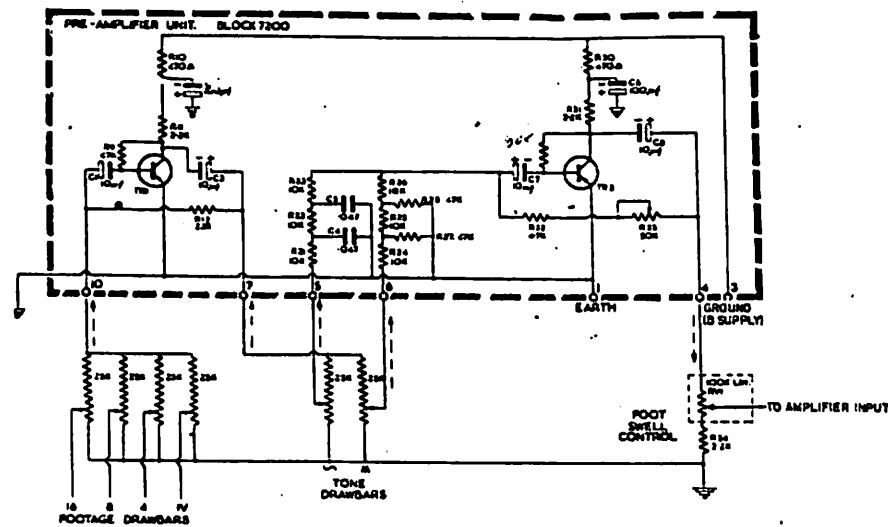


DESIGNER	THIS DRAWING IS THE PROPERTY OF VOX LTD. IT IS TO BE KEPT UNTOUCHED AND UNREPRODUCED WITHOUT THE WRITTEN CONSENT OF VOX LTD.		
APPROVED	MAY 1968	SCALE	
TITLE: 2-MANUAL CONTINENTAL II CIRCUIT DIAGRAM		DRG. NO.	TMO/030

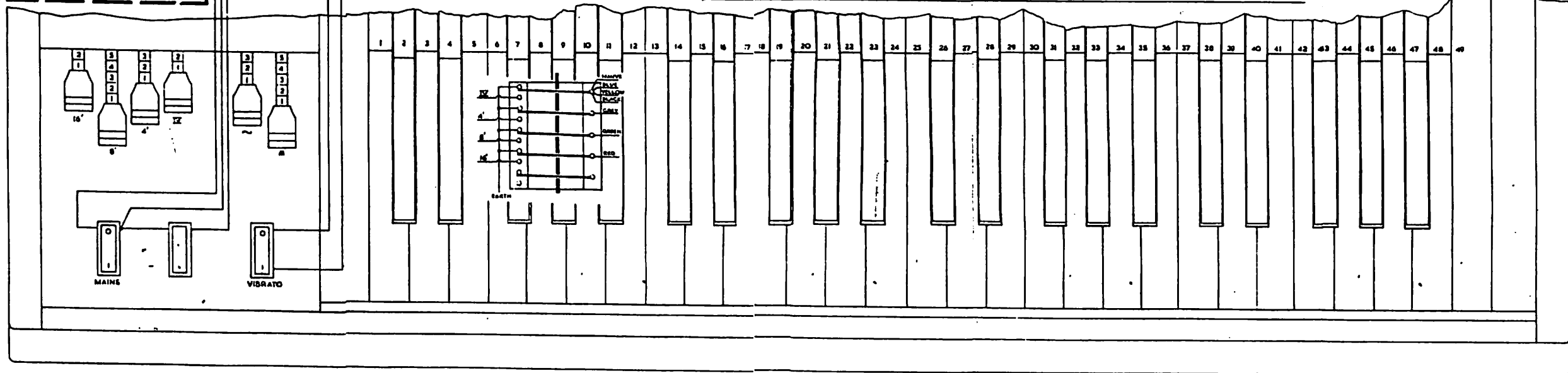
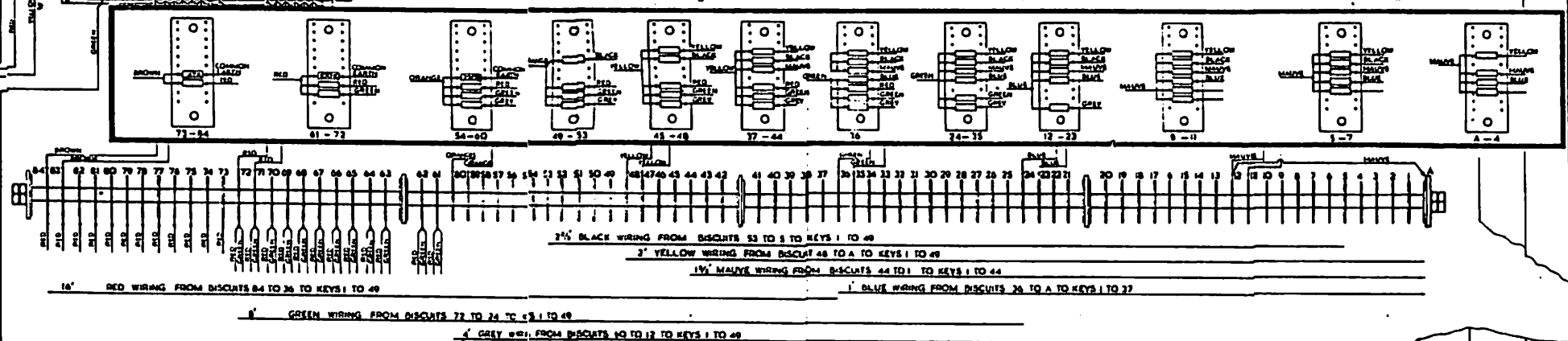
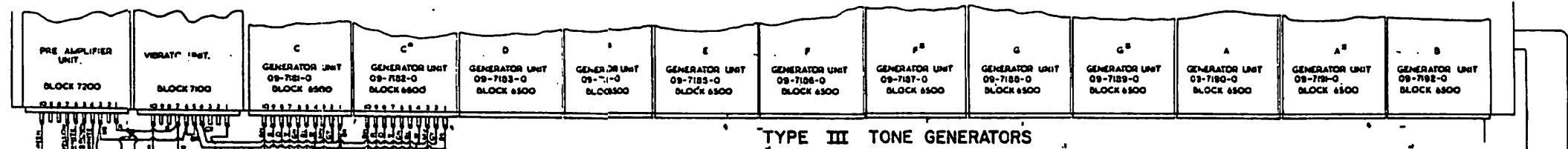
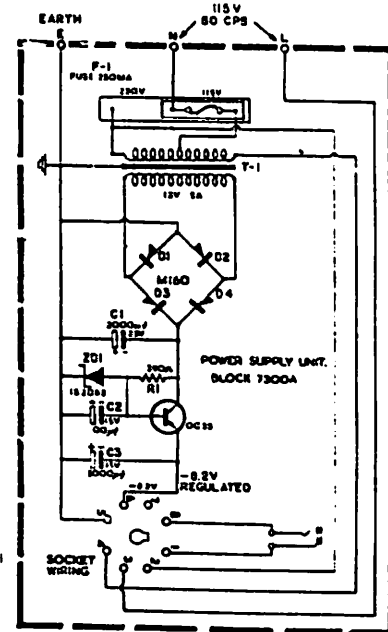
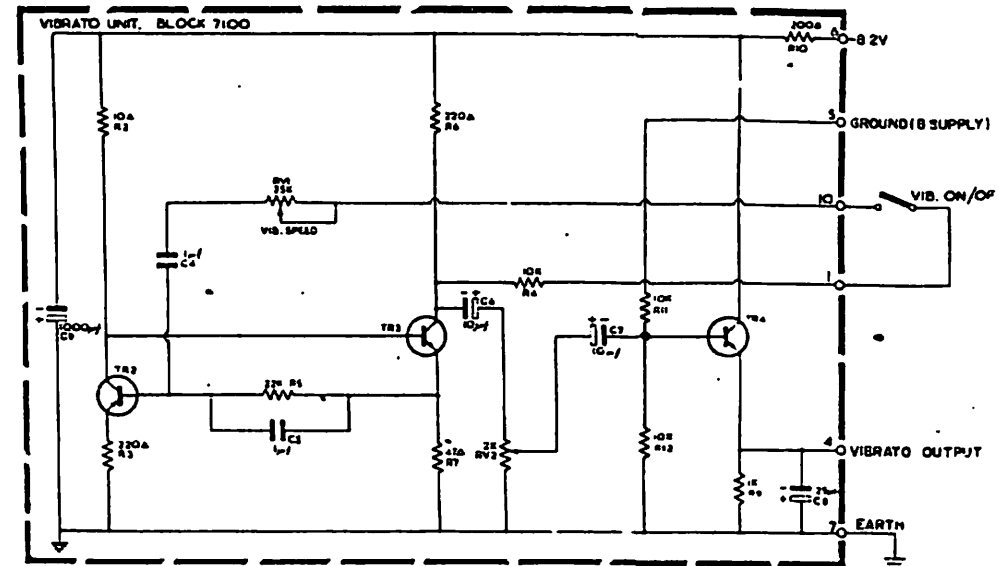
VOX AMPLIFICATION LTD.  
 DRAWING NO: CONTINENTAL ORGANS.

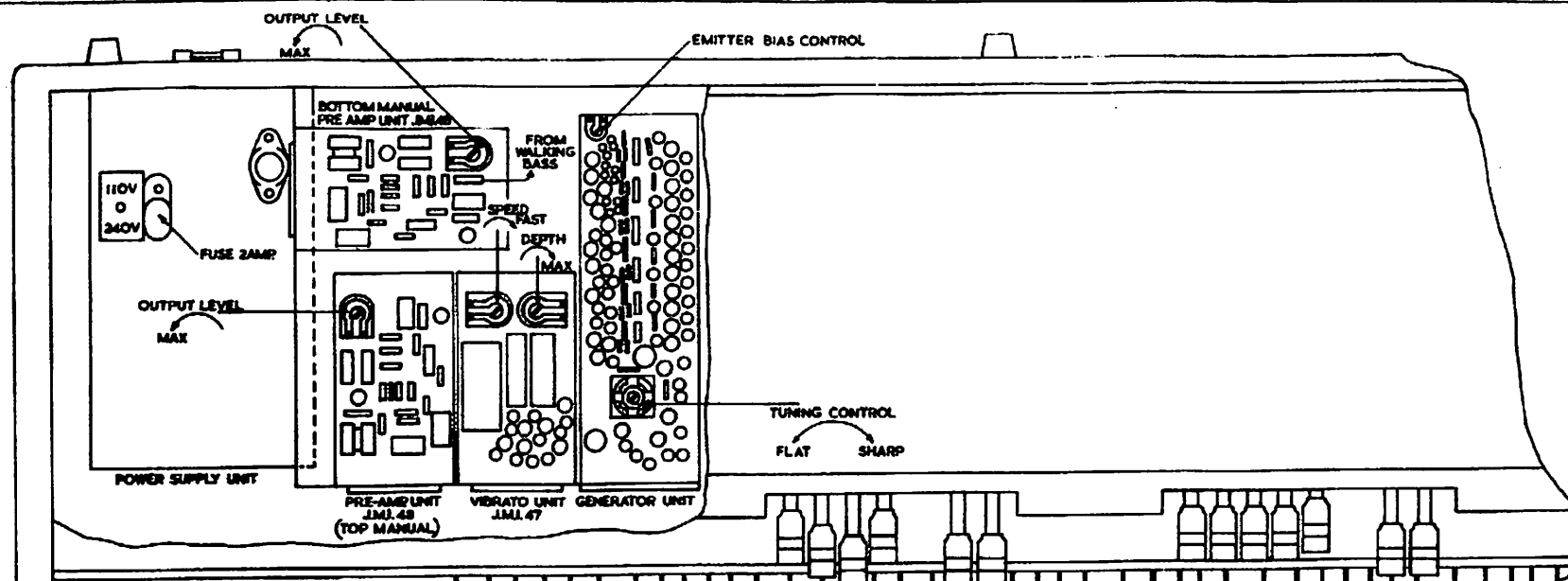
**MASTER COPY**  
 DO NOT REMOVE FROM  
 ELECTRONICS DEPARTMENT

# CONTINENTAL ORGAN V301J

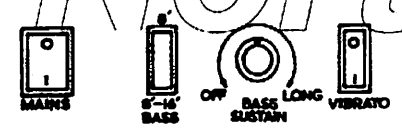


All Q's (except OC35 in power supply) eq. ECG102A or RCA 2N220 PNP Germanium





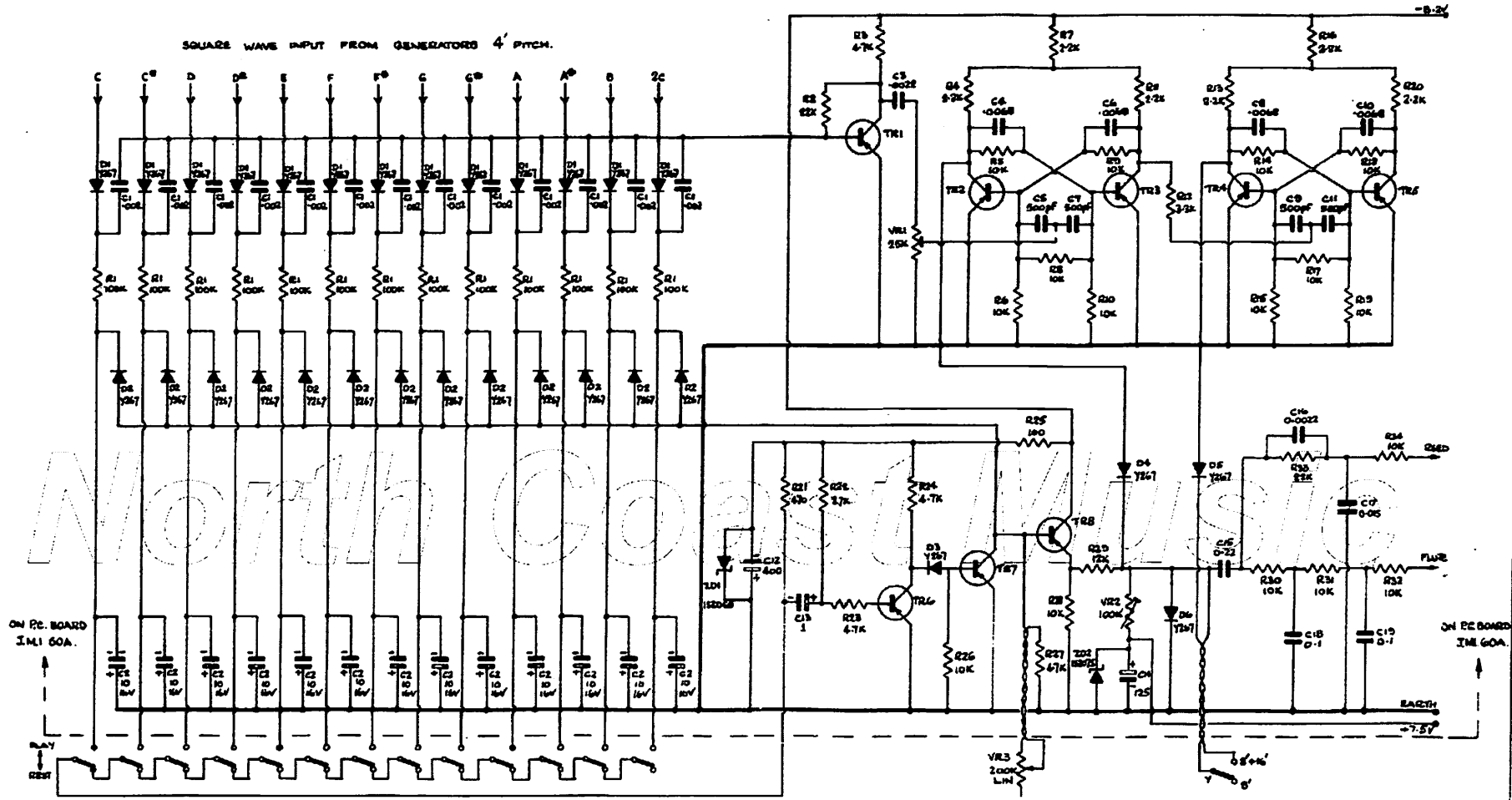
North Coast Music



JMiCon2int.tif

Digital rendering, additions, and corrections copyright 2000 North Coast Music. All rights reserved, unauthorized duplication or resale strictly prohibited.

TWO MANUAL CONTINENTAL ORGAN INTERNAL CONTROLS	DRN.	<i>R.D. 1/6</i>
	CHK.	
JENNINGS MUSICAL INDUSTRIES LTD. DARTFORD, KENT, ENGLAND.	APP.	
	DRG. NO.	TMO/007



ALL TRANSISTORS EITHER AC113 OR 2C37B ~ P 2C37B ARE USED, RE 527 ARE OMITTED.  
 ALL CAPACITORS IN MFDS UNLESS OTHERWISE STATED.  
 ALL RESISTORS IN OHMS UNLESS OTHERWISE STATED.

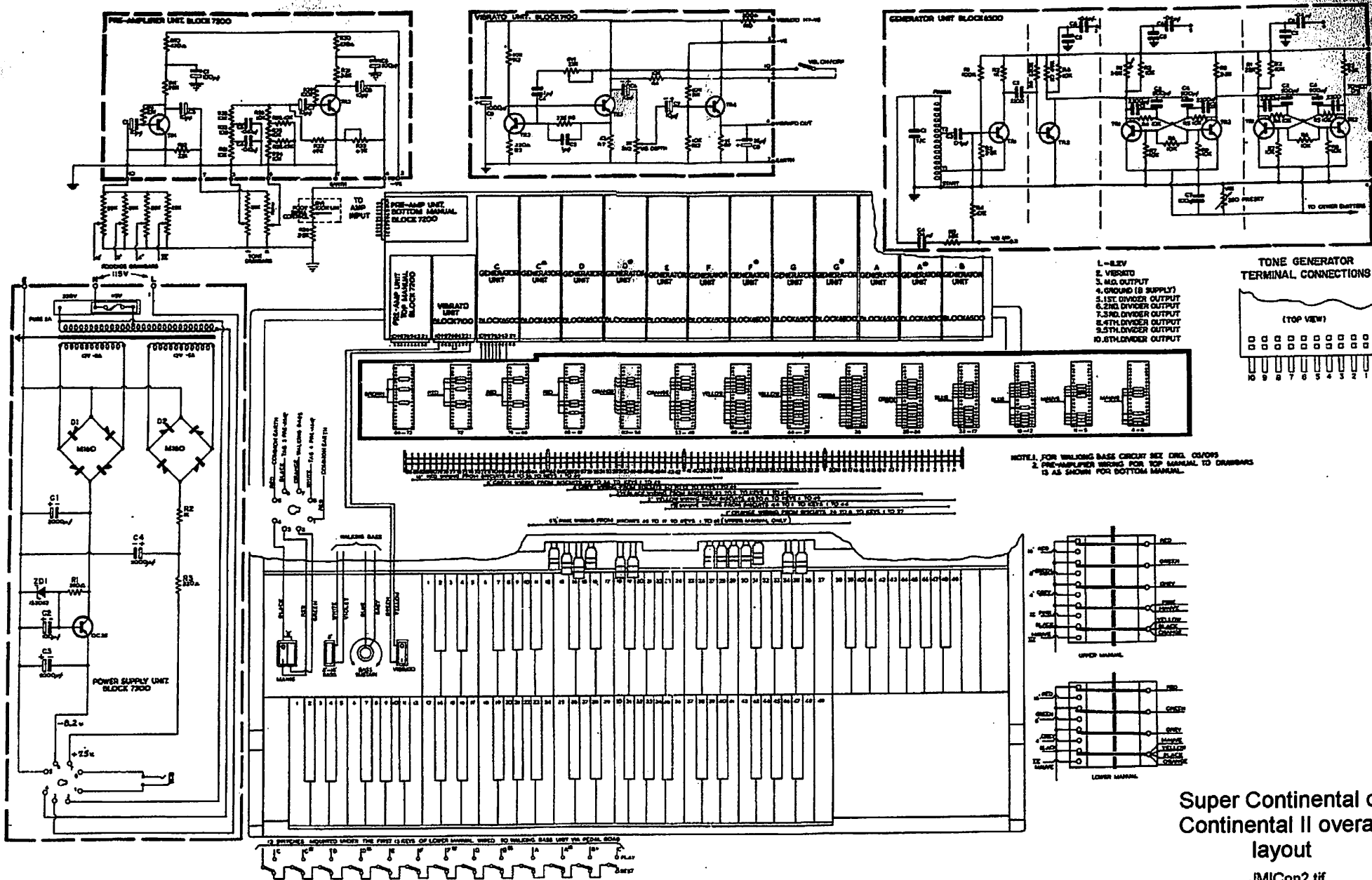
TI SIDE OF ZENER GOES TO -VE SIDE V12  $\frac{-VE}{V12} \rightarrow \frac{+VE}{V12}$   
 YELLOW BAND CONNECTIONS FOR Y257 DIODES.



Digital rendering, additions,  
 and corrections copyright  
 2000 North Coast Music. All  
 rights reserved, unauthorized  
 duplication or resale strictly  
 prohibited.

FOR WALKING BASS UNIT COMP LAYOUT JMI 60A SEE DRG No TMO/002

REV	DATE	BY	SCALE	TITLE	DES
2	17-2-74	14	1/8"	CONT. ORGAN ~ 2 MANUAL ~ WALKING BASS UNIT	J.S. Rogbin
1	17-1-69	14	1/8"		P. J. Hall
1	17-1-69	14	1/8"		P. J. Hall
ALL RESISTORS TO BE 5% TOLERANCE UNLESS OTHERWISE STATED.					APP
JENNINGS MUSICAL INDUSTRIES LTD DARTFORD, KENT.					DWG No
					05/095



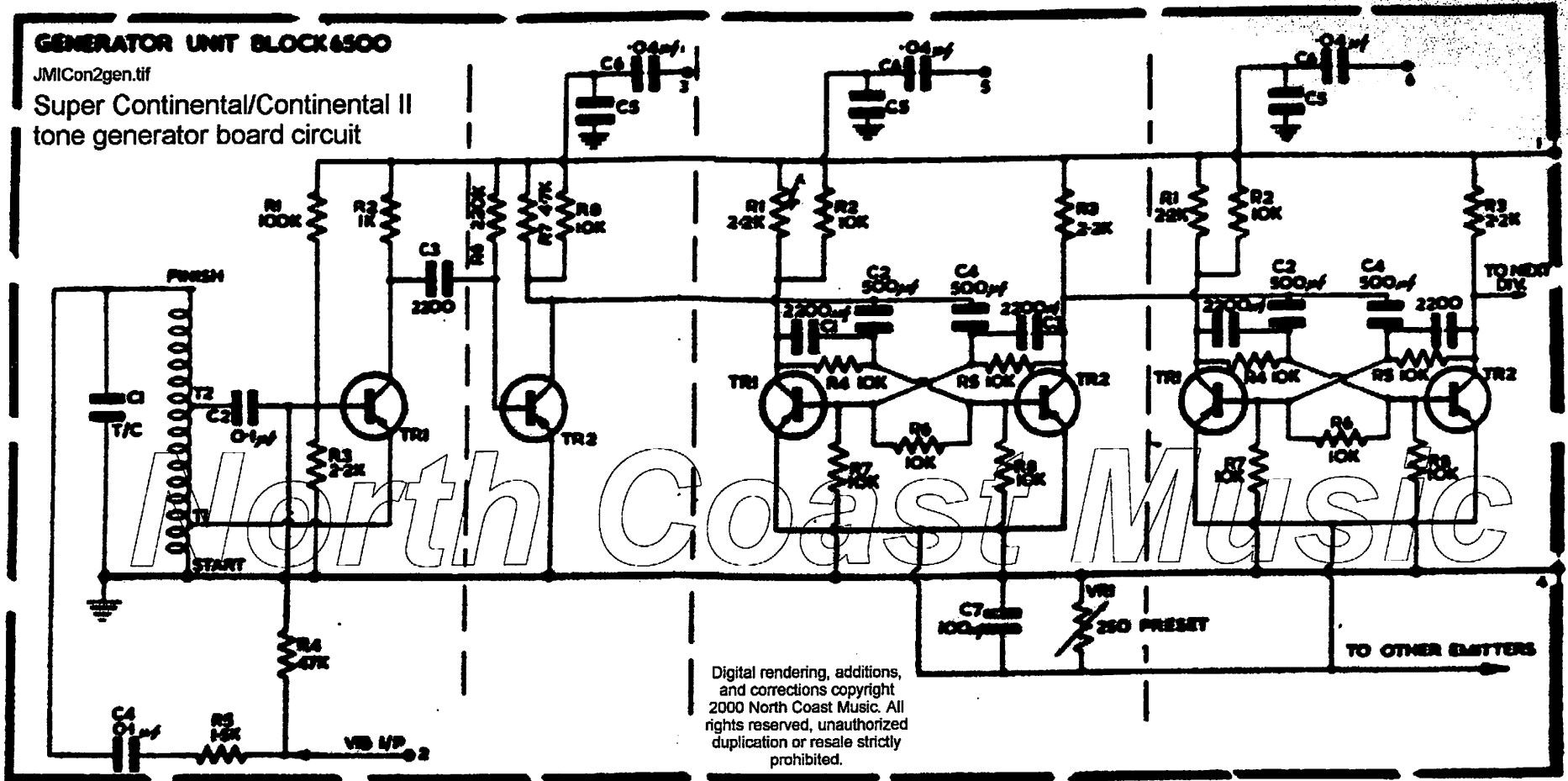
# North Coast Music

Super Continental or  
Continental II overall  
layout  
JMCon2.tif

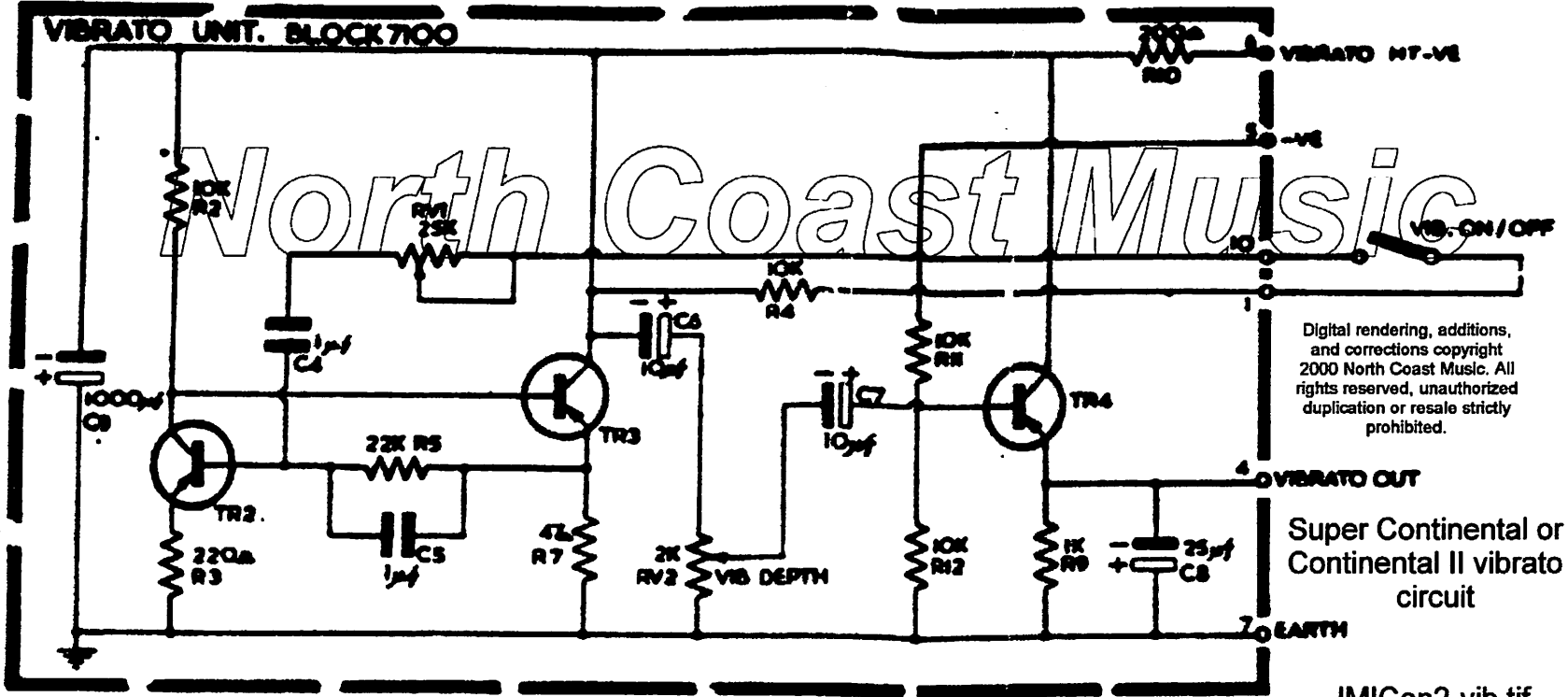
# GENERATOR UNIT BLOCK&500

JM1Con2gen.tif

Super Continental/Continental II  
tone generator board circuit



Digital rendering, additions,  
and corrections copyright  
2000 North Coast Music. All  
rights reserved, unauthorized  
duplication or resale strictly  
prohibited.



Digital rendering, additions,  
and corrections copyright  
2000 North Coast Music. All  
rights reserved, unauthorized  
duplication or resale strictly  
prohibited.

Super Continental or  
Continental II vibrato  
circuit

JMICon2-vib.tif