



**JAGUAR**  
**V304E2**

# SERVICE INFORMATION

Thomas Organ Company • National Service Department • Sepulveda, California

© 1967



**B**

Printed in U.S.A.

# REPLACEMENT PARTS LIST

## STONE GENERATORS

C	09-8144-0
C#	09-8145-0
D-D#-E	09-8146-0
F-F#	09-8147-0
G	09-8148-0
G#-A	09-8149-0
A#-B	09-8150-0

## GENERATOR PARTS

### CAPACITORS - Use Factory Replacement Parts Only

Location	Part No.	Description
A#-B-C		
C1-C2	09-7043-0	.022 uF 100V 10%
C11	09-7038-0	.0047 uF 100V 10%
G#-A		
C1	09-7043-0	.022 uF 100V 10%
C2	09-7042-0	.033 uF 100V 10%
G		
C1-C2	09-7042-0	.033 uF 100V 10%
F-F#		
C1	09-7042-0	.033 uF 100V 10%
C2	09-7045-0	
D-D#-E		
C1	09-7045-0	.047 uF 100V 10%
C2	09-7044-0	.068 uF 100V 10%
C#		
C1-C2	09-7044-0	.068 uF 100V 10%
C3	09-7046-0	.1 uF 100V 10%
C4-C6-C7-C9-C10	09-7048-0	.0047 uF 100V 10%
C5-C12	09-7031-0	.0022 uF 100V 10%

### RESISTORS - All 1/2W 10%

C		
R29	60-56301	56K Ohm
A#-B, C#, D-D#-E, F-F#, G, G#-A		
R36	60-47301	47K Ohm

VOICING CIRCUIT

CAPACITORS - All 100V 10% Unless Otherwise Indicated

C26	09-7041-0	.01 uF 100V 10%
C27	09-7662-0	.039 uF 125V 10%
C28	09-8174-0	680 pF Disc. 100V 10%
C29-C36	09-7038-0	.0047 uF 100V 10%
C30	09-7043-0	.022 uF 100V 10%
C31 Thru C33	09-7045-0	.047 uF 100V 10%
C34	09-7046-0	.1 uF 100V 10%
C35	09-7031-0	.0022 uF 100V 10%

RESISTORS - All 1/2W 10%

R73	60-12201	1.2K Ohm
R74	60-10301	10K Ohm
R75-R78-R80-R81-R83-R85	60-10401	100K Ohm
R76-R77	60-27301	27K Ohm
R79	60-47401	470K Ohm
R82	60-47301	47K Ohm
R84	09-8139-0	50K Ohm Pot. W/Switch SW1 (Bass Volume)
R86	09-8138-0	50K Ohm Pot. (Contour)

MISCELLANEOUS

L2	09-7641-0	4H Inductor
----	-----------	-------------

POWER SUPPLY

C37	09-7658-0	1000 uF Dual Tub (Electro) Capacitor
C38	09-7027-0	1000 uF 12V (Electro) Capacitor
R87	09-7646-0	33 Ohm 10W 10% Resistor
R88	60-33101	330Ohm
R89	60-47101	470 Ohm

MISCELLANEOUS

F1	09-7474	.5 A Fuse
	09-8162-0	Fuse Cap
	09-8160-0	Fuse Holder
T1	09-8159-0	Power Transformer
SD2	09-7556-0	Silicon Rectifier
ZD1	09-7555-0	Zener Diode
PI1	09-8137-0	Indicator Lamp & Jewel Assy.
	09-7636-0	Indicator Lamp
P3	09-7369-0	Plug W/ Cover (Octal)
S3	09-7370-0	Socket (Octal)
J1	09-102-0	Phone Jack
J2	09-7552-0	Phone Jack (Shorting)
	09-7375-0	A. C. Power Plug (Chassis Mtd.)
	09-7374-0	A. C. Power Cord
	09-8158-0	Power Supply (Complete)

R1-R11-R23-R35	60-27201	2.7K Ohm
R2	60-22301	22K Ohm
R3	60-47301	47K Ohm
R4 Thru R7-R16-R17-R19- R21-R26-R30-R32-R41-R42	60-10401	100K Ohm
R8-R15-R18-R28-R31-R40	60-47201	4.7K Ohm
R9-R13-R20-R25-R33-R38	60-33301	33K Ohm
R10-R12-R22-R24-R34-R37	60-33201	3.3K Ohm
R14-R27-R39	60-82001	82 Ohm

MISCELLANEOUS

Q1 Thru Q7	Use 09-7016-0	Transistor
SD1	09-8168-0	Diode (Green/Yellow/Red)
L1	09-8151-0	Oscillator Coil

09-7647-0	T. G. Gripping Contact
09-8153-0	T. G. Mounting Screw
09-8152-0	T. G. P. C. Board (Only)

BASS, LOW "C" DIVIDER & VIBRATO OSCILLATOR

CAPACITORS

C13	09-7038-0	.0047 uF 100V 10%
C14 Thru C18	09-7031-0	.0022 uF 100V 10%
C19-C20-C21	09-8173-0	5 uF 15V (NP Electro)
C22	09-7493-0	5.0 uF 15V (NP Electro)

RESISTORS - All 1/2W 10% Unless Otherwise Indicated

R43	60-15301	15K Ohm
R44	60-18301	18K Ohm
R45-R52-R54-R61	60-47201	4.7K Ohm
R46-R50-R55-R59	60-33301	33K Ohm
R47-R49-R56-R58	60-33201	3.3K Ohm
R51-R60	60-82001	82 Ohm
R53-R67	60-47301	47K Ohm
R62-R66	60-12201	1.2K Ohm
R63	09-8156-0	5K Ohm Pot. (Vibrato Rate)
R64	60-33101	330 Ohm
R65	60-10301	10K Ohm
R68-R69	60-10401	100K ohm

MISCELLANEOUS

Q8 Thru Q14	Use 09-7016-0	Transistor (PNP)
09-8154-0		Pedal Divider & Vibrato P. C. Board Assy. (Complete)
09-8155-0		Pedal Divider & Vibrato P. C. Board (Only)

SIGNAL DISTRIBUTION

CAPACITORS

C23	09-7493-0	50 uF 15V (NP Electro)
C24	09-7046-0	.1 uF 100V 10%
C25	09-8173-0	5 uF 15V (NP Electro)

RESISTORS - All 1/2W 10%

R70	60-33001	33 Ohm
R71	60-47401	470K Ohm
R72	60-10301	10K Ohm

09-8166-0

Distribution P. C. Board (W/Contacts)

KEYBOARD ASSY.

09-8101-0	Keyboard Assy. (Complete)
09-7617-0	Base Plate
09-8127-0	Bass Sequential Keyswitch Assy.
09-8129-0	... "L" Contact
09-8130-0	... "Straight" Contact
09-7365-0	Bronze Bushing (Key Support)
09-8165-0	Buss Bar Support Bracket (Long)
09-8119-0	Buss Bar Support Bracket (Short)

Key Assemblies

09-8102-0	"C" (White)
09-8103-0	"C" (Black)
09-8104-0	"D" (White)
09-8105-0	"D" (Black)
09-8106-0	"E" (White)
09-8107-0	"E" (Black)
09-8101-0	"F" (White)
09-8109-0	"F" (Black)
09-8110-0	"G" (White)
09-8111-0	"G" (Black)
09-8112-0	"A" (White)
09-8113-0	"A" (Black)
09-8114-0	"B" (White)
09-8115-0	"B" (Black)
09-8116-0	"End C" (Black)
09-8117-0	Sharp (White)
09-8118-0	Sharp (black)

09-7161-0	Key Return Spring
09-7650-0	Key Support Rod
09-8121-0	Keyswitch Assy.
09-7615-0	... Contact
09-8123-0	... Contact Spring
09-8122-0	... Phenolic Board
09-8124-0	Bass Chord Contact Assy.
09-8126-0	... Board Mtg. Bracket
09-7611-0	Bracket Mtg. Screw
09-7366-0	Rubber Keystop
09-7573-0	Silver Buss Bar
09-8120-0	Support Mtg. Screw
09-7572-0	Vynal Buss Bar
09-8176-0	End Block (R.H.)

LEFT HAND CHEEKBLOCK ASSY.

09-8131-0	Left Hand Cheekblock Assy.
09-7625-0	Bass/Chorus Rocker Tab
09-7627-0	Bright Rocker Tab
09-7628-0	Brass Rocker Tab
09-8134-0	Cheekblock Panel (Only)
09-8136-0	Detent Spring Mtg. Screw
09-7626-0	Flute Rocker Tab
09-7638-0	Indicator Lamp Jewel
09-7620-0	Mellow Rocker Tab
09-8142-0	P. C. Board Mtg. Screw
09-8132-0	Rocker Tab Assy. (Complete)
09-8143-0	Rocker Tab Contact
09-8135-0	Rocker Tab Detent Spring

09-8133-0	Tab Assy. Mtg. Screw
09-7633-0	Tab Switch Contact "Straight"
09-8140-0	Tab Switch And Voicing P. C. Board Assy. (Complete)
09-8141-0	... Tab Switch And Voicing P. C. Board (Only)
09-7624-0	Vibrato Rocker Tab
09-134-0	Knob

#### EXPRESSION PEDAL ASSEMBLY

09-7551-0	Expression Pedal Assy.
09-7484-0	Base (Only)
09-7486-0	Base Plate
09-7218-0	Cable & Plug Assy. (82")
09-8169-0	Cable & Plug Assy. (158")
09-7208-0	Drive Gear
09-7213-0	Drive Gear Spring
09-7482-0	Pedal (Only)
09-7220-0	Phone Jack
09-7206-0	Pot. (W/Nut Only)
09-7214-0	Pot. (W/Brass Gear & Nut)
09-7207-0	Pot. (W/Plastic Gear & Nut)
09-7485-0	Rubber Bumper
09-7215-0	Rubber Foot & Screw Assy.
09-7219-0	Rubber Grommet
09-7489-0	Shaft
09-7487-0	Shaft Spacer
09-7488-0	Shaft Spring
09-7483-0	Tension Spring Pin
09-8164-0	Pedal Tread

#### CABINET ASSEMBLY

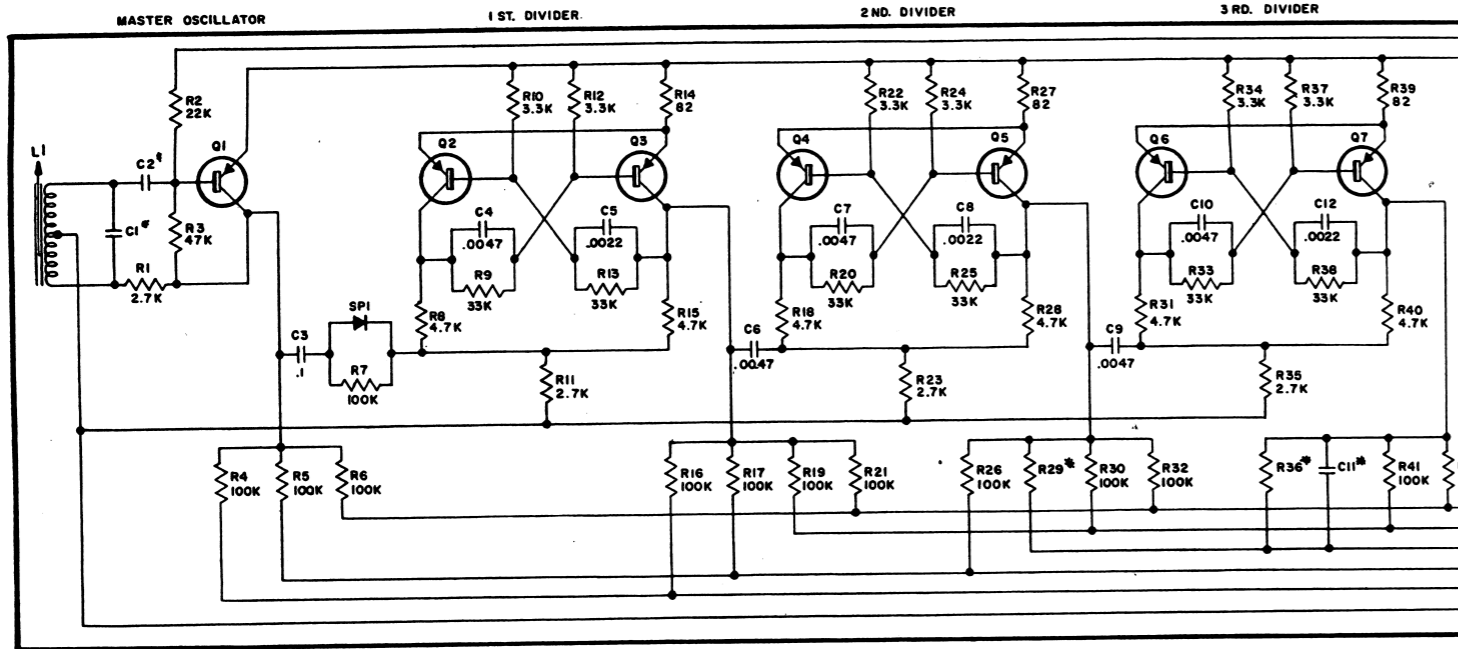
09-8170-0	Cabinet Assy. (Complete)
09-7599-0	Cabinet Bottom (Only)
09-7225-0	Lid (Only)
09-7227-0	Handle
09-7332-0	Foot
09-7654-0	Flange Nut (Wing Bolt)
09-7655-0	Flange Nut Mtg. Screw
*09-7229-0	Leatherette (Grey)
*09-7244-0	Leatherette (Orange)
09-8172-0	Plastic Cover
**09-7242-0	Silver Bead
09-7371-0	Top Panel Positioning Bracket
09-7564-0	"Vox Jaguar" Nameplate (Rear)
09-8163-0	"Vox Jaguar" (Inner Top)
09-7655-0	Hinge Assy.
09-7226-0	Inner Top Panel

\*Order Per Yard  
\*\*Order Per Foot

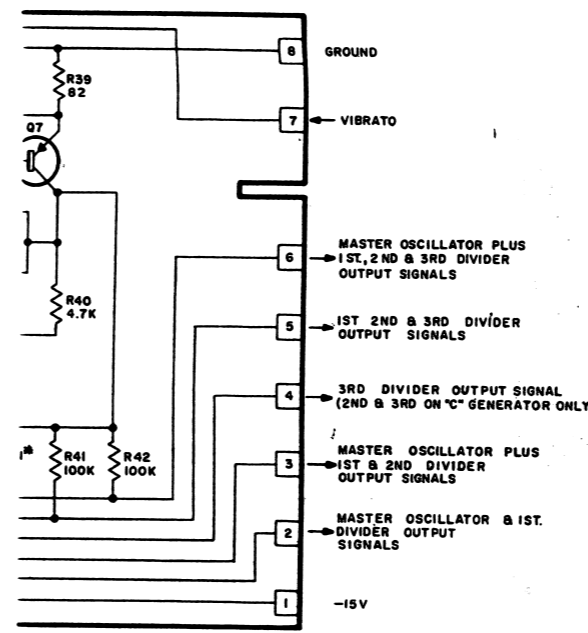
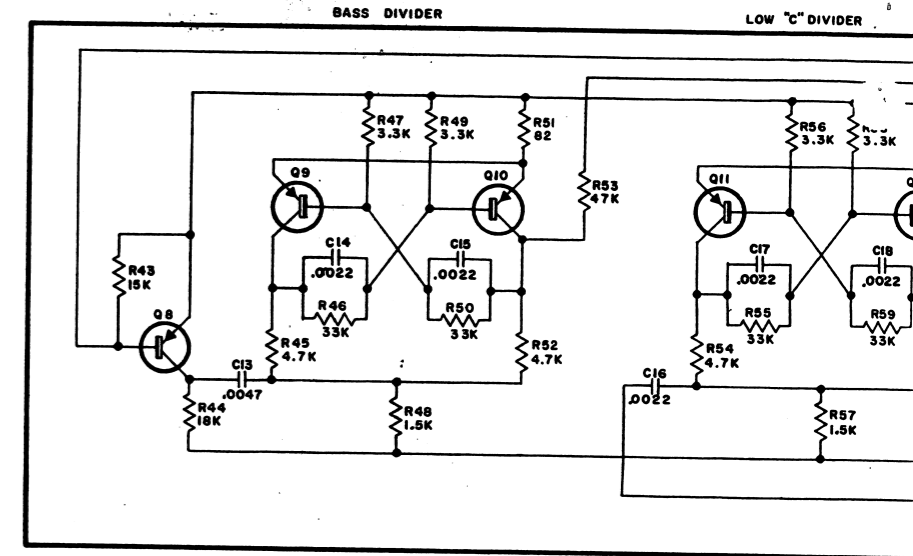
#### STAND ASSEMBLY

09-7201-0	Carrying Case (Only)
09-8171-0	... Plastic Foot (Push-In)
09-7204-0	Cross Brace
09-7202-0	Leg (Left Hand)
09-7232-0	Leg (RightHand)
09-7230-0	End Plug (Leg)
09-7216-0	Foot (Push In)
09-7217-0	Foot & Screw Assy.
09-7653-0	Wing Bolt

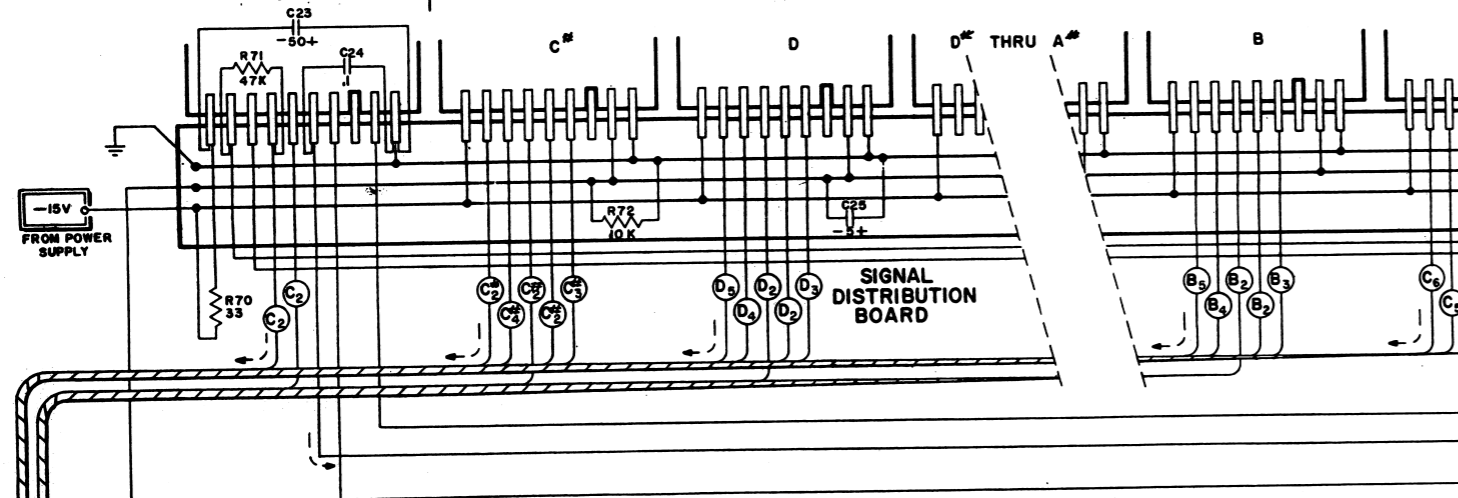
TONE GENERATOR SCHEMATIC



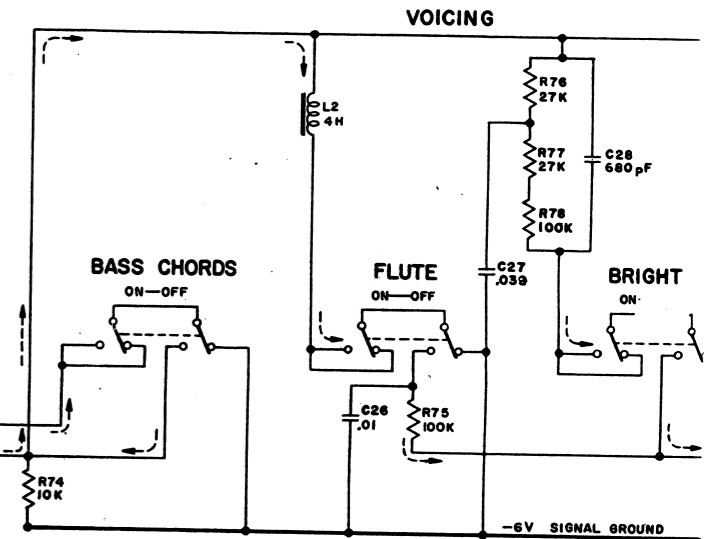
BASS, LOW "C" DIVIDER AND VIBRATO



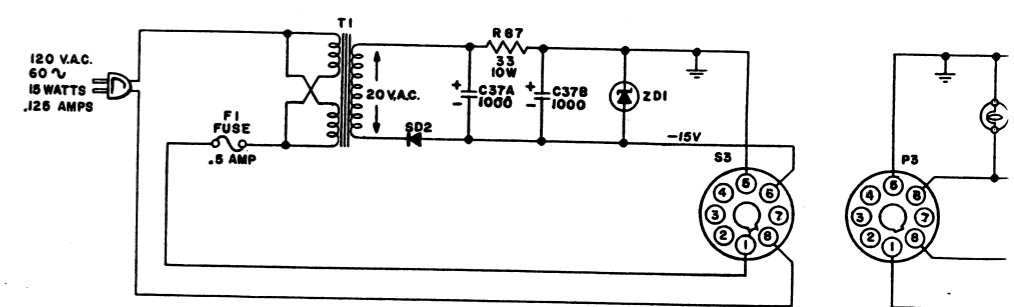
BASS, LOW "C" DIVIDER VIBRATO OSCILLATOR 12 TONE GENERATORS



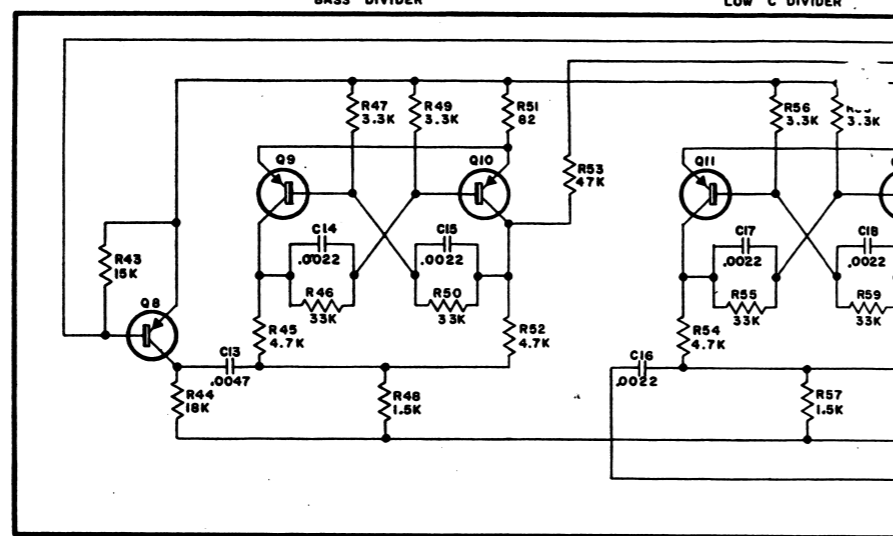
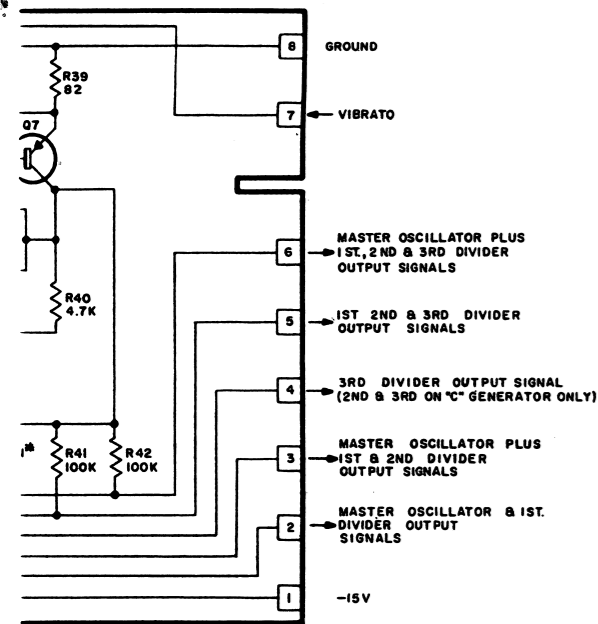
GENERATOR	C1	C2	C11	R29	R36
C	.022	.022	.0047	56K	NONE
A# B	.022	.022	NONE	NONE	47K
G# A	.022	.033	NONE	NONE	47K
G	.033	.033	NONE	NONE	47K
F F#	.033	.047	NONE	NONE	47K
D D# E	.047	.068	NONE	NONE	47K
C#	.068	.068	NONE	NONE	47K



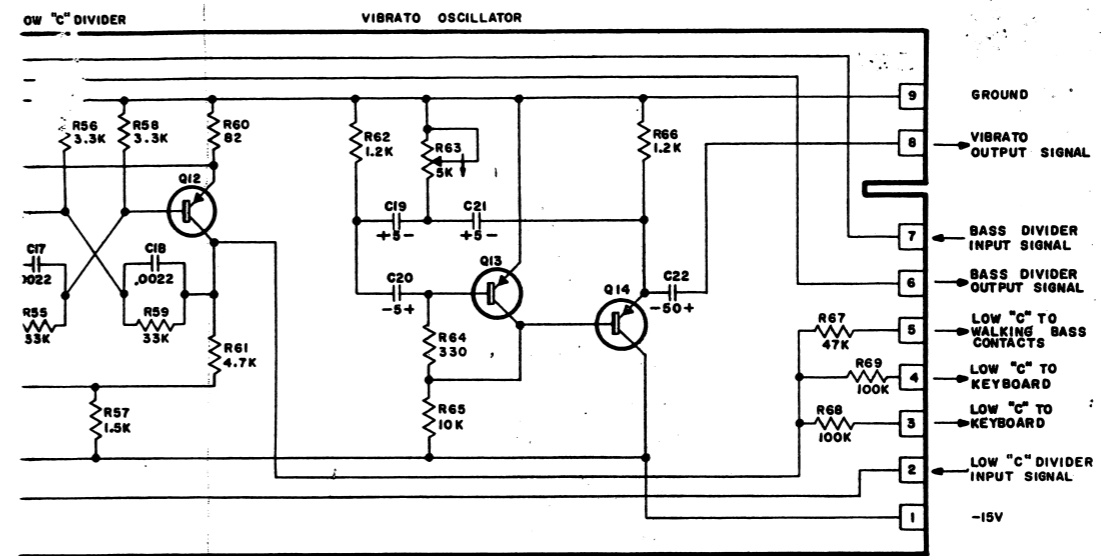
POWER SUPPLY



BASS, LOW "C" DIVIDER AND VIBRATO

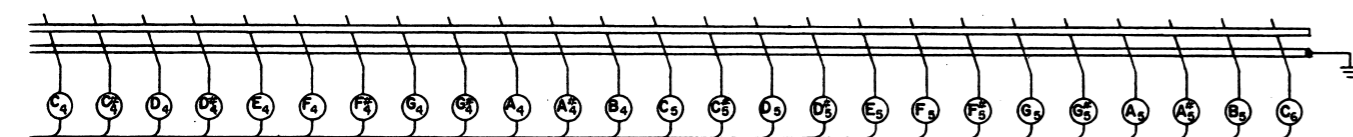
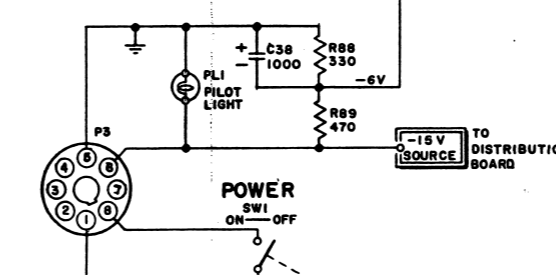
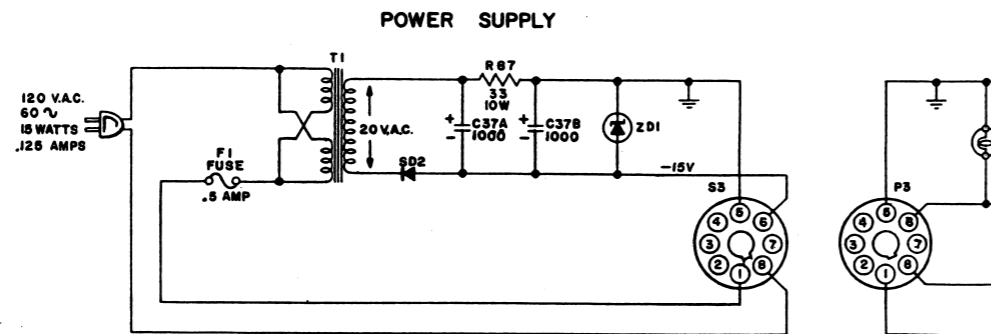
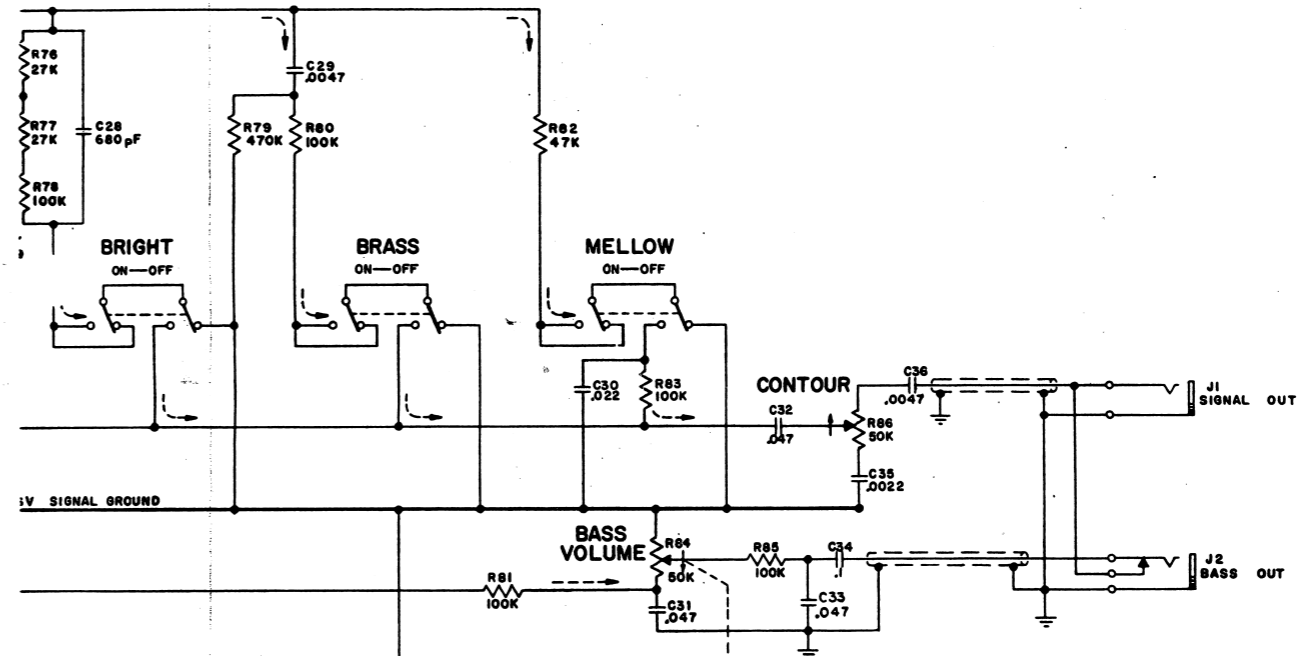
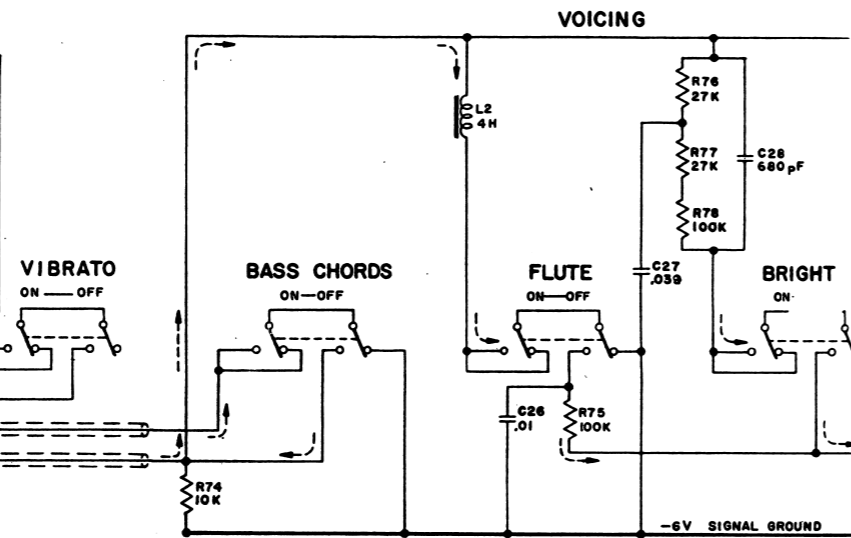
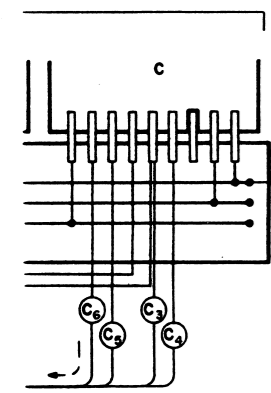


ID VIBRATO OSCILLATOR



ALTERNATE VALUES OF CAP. C1, C2, C11 & RES. R29 & R36

GENERATOR	C1	C2	C11	R29	R36
C	.022	.022	.0047	56K	NONE
A <sup>b</sup> B	.022	.022	NONE	NONE	47K
G <sup>b</sup> A	.022	.033	NONE	NONE	47K
G	.033	.033	NONE	NONE	47K
F F <sup>b</sup>	.033	.047	NONE	NONE	47K
D D <sup>b</sup> E	.047	.068	NONE	NONE	47K
C <sup>b</sup>	.068	.068	NONE	NONE	47K



JAGUAR

© Thomas ORGAN CO. 1967  
NATIONAL SERVICE DEPARTMENT  
8726 WOODLEY AVE. • SEPULVEDA, CALIFORNIA 91343

V304E2