

# ELECTRIC PIANOS

## CP80D/80M/70D/70M/60M

### SERVICE MANUAL



CP60M

#### ■ CONTENTS (目次)

SPECIFICATIONS (仕様).....	1
ASSEMBLY PROCEDURES (組立手順).....	4
DISASSEMBLY PROCEDURES (分解手順).....	9
REGULATION SPECIFICATIONS (調整).....	11
ELECTRICAL ADJUSTMENTS (電気調整手順).....	11
TUNING (調律).....	12
ACTION MECHANISM (打弦機構).....	13
MA CIRCUIT BOARDS .....	15
LP CIRCUIT BOARDS .....	17
MIDI CIRCUIT BOARD .....	18
MIDI OUT/SWITCH CIRCUIT BOARD .....	18
MIDI IMPLEMENTATION CHARTS .....	19/20
OVERALL CIRCUIT DIAGRAMS .....	21-26
PARTS LIST	

SINCE 1887



**YAMAHA**

NIPPON GAKKI CO., LTD. HAMAMATSU, JAPAN

1.35K-766 ©Printed in Japan '85.10

## IMPORTANT NOTICE

This manual has been provided for the use of authorized Yamaha Retailers and their service personnel. It has been assumed that basic service procedures inherent to the industry, and more specifically Yamaha Products, are already known and understood by the users, and have therefore not been restated.

**WARNING:** Failure to follow appropriate service and safety procedures when servicing this product may result in personal injury, destruction of expensive components and failure of the product to perform as specified. For these reasons, we advise all Yamaha product owners that all service required should be performed by an authorized Yamaha Retailer or the appointed service representative.

**IMPORTANT:** The presentation or sale of this manual to any individual or firm does not constitute authorization, certification, recognition of any applicable technical capabilities, or establish a principle-agent relationship of any form.

The data provided is believed to be accurate and applicable to the unit(s) indicated on the cover. The research, engineering, and service departments of Yamaha are continually striving to improve Yamaha products. Modifications are, therefore, inevitable and changes in specification are subject to change without notice or obligation to retrofit. Should any discrepancy appear to exist, please contact the distributor's Service Division.

**WARNING:** Static discharges can destroy expensive components. Discharge any static electricity your body may have accumulated by grounding yourself to the ground buss in the unit (heavy gauge black wires connect to this buss).

**IMPORTANT:** Turn the unit OFF during disassembly and parts replacement. Recheck all work before you apply power to the unit.

## ■ SPECIFICATIONS (仕様)

### ● CP80D, CP70D

#### Keyboard

CP70D: 73 keys (6 octaves  $E_1 \sim e_4$ )

CP80D: 88 keys (7 1/4 octaves  $A_1 \sim c_5$ )

#### Sound generating method

Cord striking method

#### Action

GP action

#### Hammer

Rubber (urethane) + artificial leather

#### Pickup

Piezoelectric unit

Independent pickup system

#### Controls

EQUALIZER { Center frequency: 100, 200, 400, 800,  
1.6K, 3.2K, 6.4K

Equalizer control range:  $\pm 12$ dB

+0.5Hz ~ 10 +3Hz

TREMOLO { SPEED: 0.8 -0.2Hz ~ 10 -1Hz  
continuously variable

DEPTH: more than 40% max, less than  
15% min.

#### VOLUME

#### Control switches

POWER, EQUALIZER (ON/OFF)

EFFECT A, B, TREMOLO (ON/OFF) (All with LED)

#### Others

SEND A, SEND B OUT ( $-20$ dB,  $600\Omega$ )

RETURN A, RETURN B IN ( $-20$ dB,  $100K\Omega$ )

JACK OUT 2ch ( $-20$ dB,  $600\Omega$  Unbalanced)

LINE OUT 2ch ( $-20$ dB,  $600\Omega$  Balanced)

#### Rated power

US, CANADIAN models

AC120V 60Hz

AUSTRALIAN, S. AFRICAN models

AC220V 50Hz

EUROPEAN model

AC220V 50Hz

GENERAL model

AC220 ~ 240V 50Hz

60Hz

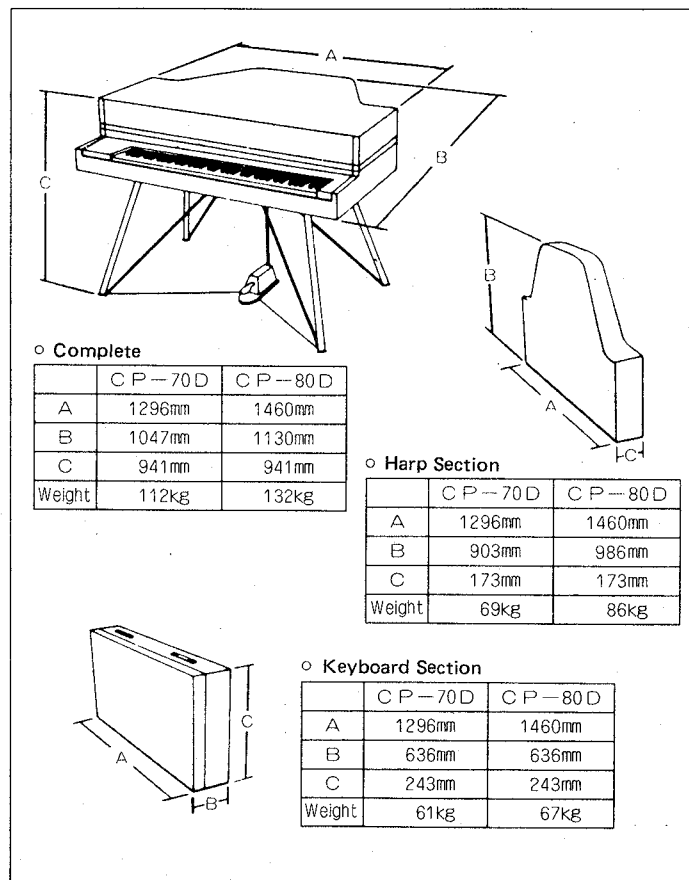
JAPANESE model

AC100V 50/60Hz 1.2W

#### Outer covering

Suitcase style (separatable to upper and lower parts,  
leather lines)

### Outer dimensions





● CP60M

**Keyboard**

76 keys (61/4 octaves  $E_1 \sim g_4$ )

**Sound generating method**

Cord striking method

**Action**

UP action

**Hammer**

Rubber (urethane) + artificial leather

**Pickup**

Piezoelectric circuit board  
consecutively pickup system

**Controls**

EQUALIZER { Center frequency: 100, 200, 400, 800,  
1.6K, 3.2K, 6.4K  
Equalizer control range:  $\pm 12$ dB

TREMOLO { SPEED: 0.8 +0.5Hz ~ 10 +3Hz  
-0.2Hz ~ -1Hz  
continuously variable  
DEPTH: more than 40% max, less than  
15% min.

**VOLUME**

**Control switches**

POWER, EQUALIZER (ON/OFF)  
EFFECT A, B, TREMOLO (ON/OFF)  
MIDI ON/OFF, MIDI SPLIT (All with LED)

**Others**

SEND A, SEND B, OUT ( $-20$ dB,  $600\Omega$ )  
RETURN A, RETURN B, IN ( $-20$ dB,  $100K\Omega$ )  
JACK OUT 2ch ( $-20$ dB,  $600\Omega$  Unbalanced)  
MIDI FOOT SW. ON/OFF jack  
MIDI OUT 5 pin DIN connector

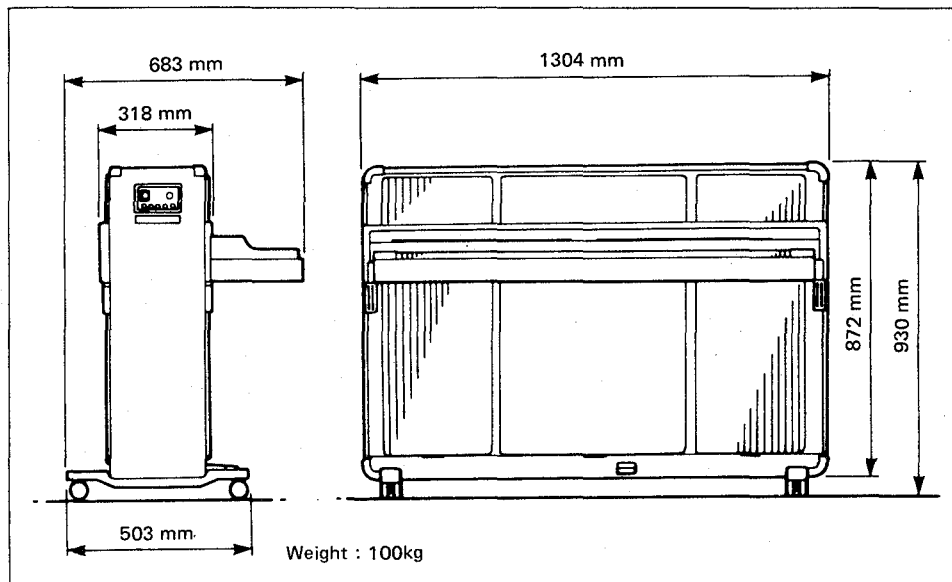
**Rated power**

US, CANADIAN models  
AC120V 60Hz  
AUSTRALIAN, S. AFRICAN models  
AC220V 50Hz  
EUROPEAN model  
AC220V 50Hz  
GENERAL model  
AC220 ~ 240V 50Hz  
60Hz  
JAPANESE model  
AC100V 50/60Hz

**Outer covering**

ABS plasticization, leather lines

**Outer dimensions**



When dB represents a specific voltage, 0dB is referenced to 0.775V RMS.  
Specifications are subject to change without notice.

## ■ ASSEMBLY PROCEDURES (組立手順)

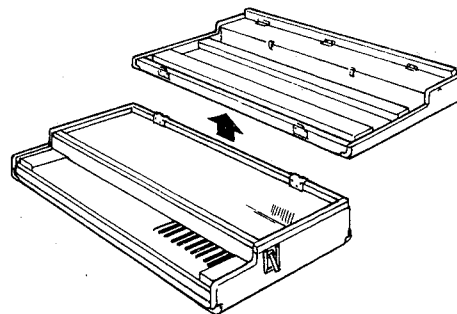
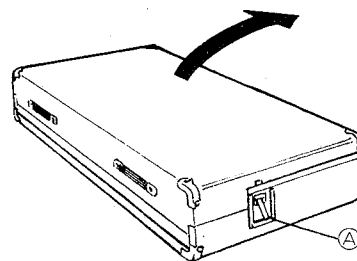
### ● CP80D, CP80M, CP70D, CP70M

#### 1. Removing the bottom unit from the case

Release hooks (A) both at the left and right. Then set the case upright and detach the unit from the hooks. (Take out the Phone jack cords (2) from the back of the hammer.)

##### 下本体・ケースの脱着

左右両サイドの①フックをはずした後、ケースを完全に起こし、引っ掛け蝶番よりはずします。(ホーンジャックコード×2をハンマー奥より取りだします。)

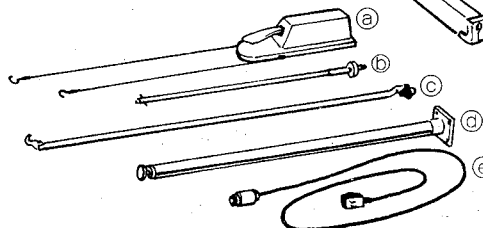
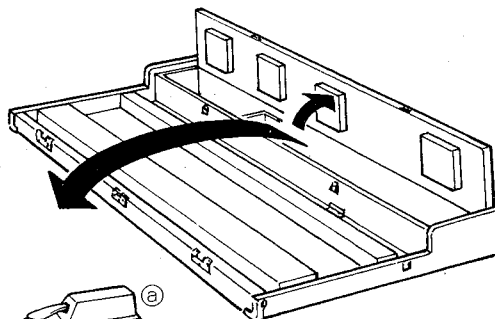


#### 2. Removing the part contained in the bottom case.

- (a) Pedal
- (b) Pedal rod
- (c) Foot stay (2 with screws, 2 without)
- (d) Feet (4)
- (e) AC Adaptor

##### 下ケース収納部品の取り出し

- (a)ペダル
- (b)ペダル突き上げ棒
- (c)脚ステー (ネジ付き×2, ネジ無し×2)
- (d)脚×4
- (e)専用ACアダプター



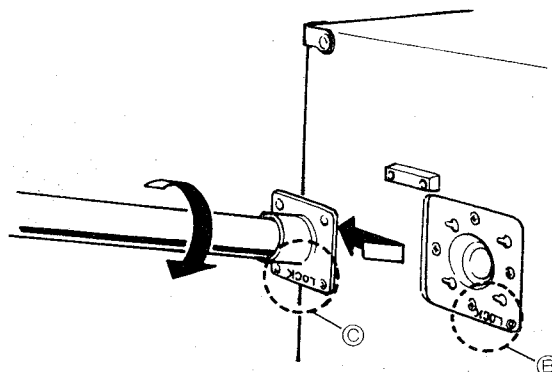
#### 3. Attaching the feet

Set the bottom unit upright on the keyboard. Insert the feet in the lock (B) direction, and after sliding them into the grooves, rotate them in the lock (C) direction and secure.

##### 脚の取り付け

鍵盤側を上にて下本体を起こします。

(B)Lockの方向に脚を差し込み、溝にスライドさせた後、(C)Lockの方向に脚を廻ししっかり固定します。

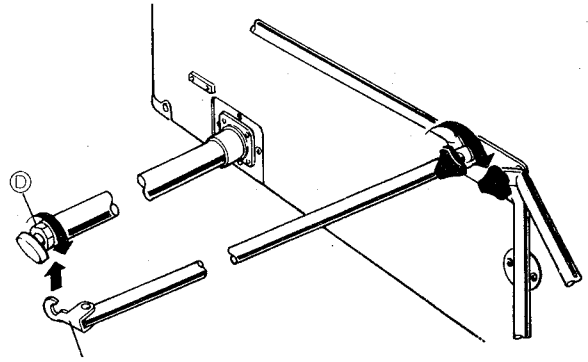


#### 4. Mounting the foot stays

Place the two stays with screws over the two stays without screws, and secure them temporarily. Then attach the hooks and tighten rings (D). Finally, tighten the stay screws.

##### 脚ステーの取り付け

ネジ無しステーに、ネジの付いたステーを重ね、仮り締めを行った後、フックを掛け(D)リングを締めつけます。最後に、ステーのネジを締めつけます。

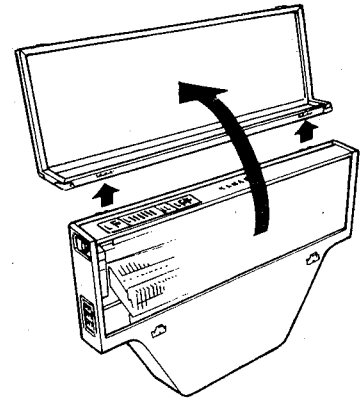
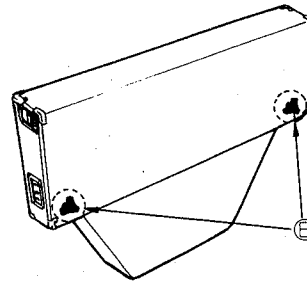


#### 5. Removing the top unit from the case

Stand the top unit up with the YAMAHA identification plate face down, and remove hooks (E). Then set the case upright and detach the unit from the hooks.

##### 上本体ケースの脱着

YAMAHA プレートを下にして、上本体を立て(E)ネジをゆるめます。ケースを起こし、引っかけ蝶番よりはずします。

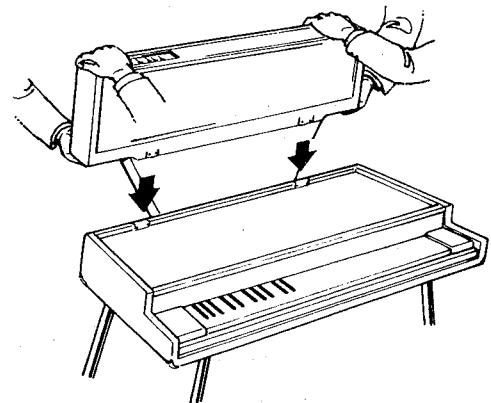


#### 6. Mounting the top unit

Lift the top unit up vertically, slide it into the hooks and mount.

##### 上本体の取り付け

上本体を乗直に持ち上げ、引っかけ蝶番にはめ込み取りつめます。

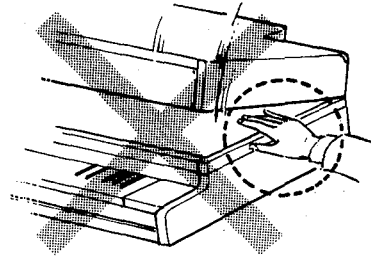
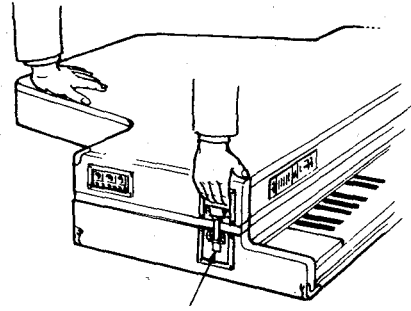


### 7. Securing the top unit

Lower the top unit down onto the keyboard, and secure it to the bottom unit with hooks at either side.

#### 上本体の装着

上本体を両手で支えながら、鍵盤側に倒し、左右両サイドのフックで、上・下本体をしっかり固定します。



### 8. Installing & Adjusting the pedal

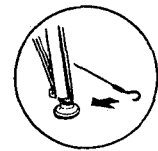
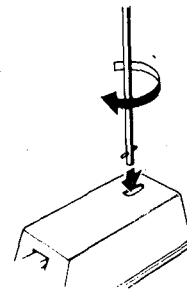
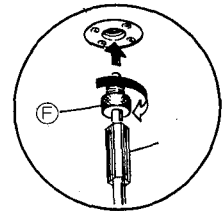
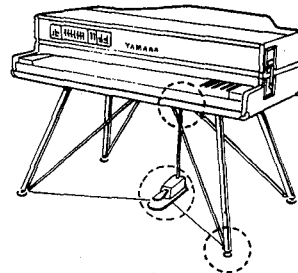
As shown, insert the rod into the pedal and turn it 90° in either direction to secure it. Then align the rod with the lower unit pedal hole and secure it with ring (F). Lastly, connect the wires to the legs.

\*Adjustment: Depress the pedal a little at a time while turning the adjust ring until there is no more play.

#### ペダルの取り付け、調整

ペダルに、ペダル突き上げ棒を差し込み、固定します。突き上げ棒を、下本体のペダル穴にあわせて(F)リングで固定します。最後に、ワイヤーを脚に引っかけてください。

調整：ペダルをこきぎみに踏み、あそびがなくなるよう調整リングを動かしてください。





## ● CP60M

### 1. Removing the cover

Remove the cover by loosening the screws. Set aside the removed cover, or, you may fasten it to the rear panel (over the "MAYAHA" plate). If you do, be careful that it does not rattle or vibrate.

#### カバーの取りはずし方

カバー左右のネジをゆるめ、取りはずします。取りはずしたカバーは、安全な場所に置いてください。また、本体後部に取り付けることもできます。

### 2. Opening the front panel

Raise the two front handles (left and right), and lower the front panel toward you.

#### 前板のはずし方

前板のハンドル2本を起し、前板を手前に倒します。前板は、床に着きません。前板を床に着くように、強く下に押しすと、前板やヒンジを破損することがありますので、注意してください。

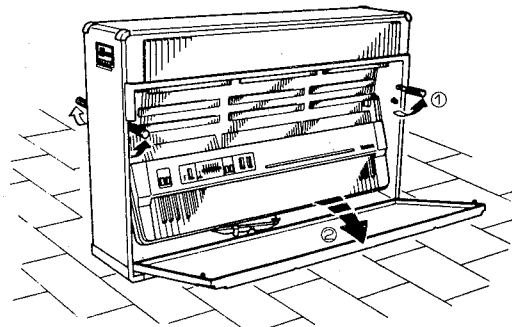
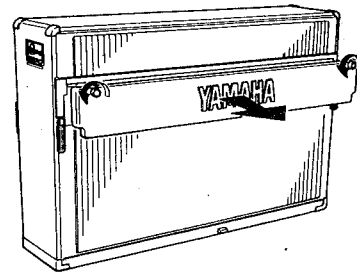
### 3. Fastening the keyboard

Slowly pull the keyboard to the upright position. On the underside of the keyboard, there are two keyboard arm stays (left and right) fastened in place. Unfasten these, and while lifting up the keyboard, slip the ends into the frame as shown in the diagram. Twist the arm stays (clockwise) until they have lengthened and locked the keyboard firmly in place. The casters, AC adaptor and connection cables are stored in the bottom of the case, so remove them.

\*When packing up, remove the arm stays and fasten them in their holders. Then, slowly press the keyboard down into the case. If the opening stay piston becomes dirty, its function will be impaled, so please do not touch it with your hands.

#### ★Precautions on Keyboard Assembly

- If the keyboard is set too low, the force applied to the key is not transmitted to the action properly, resulting in no sound production or double-step operation of the action. As this occurs when the stay is not tightened enough, tighten it until resistance is felt.
- If the keyboard is set too high, the keyboard may feel heavy or sound may not be produced. As this occurs when the stay is over-tightened, loosen the stay once and retighten it till resistance is felt.



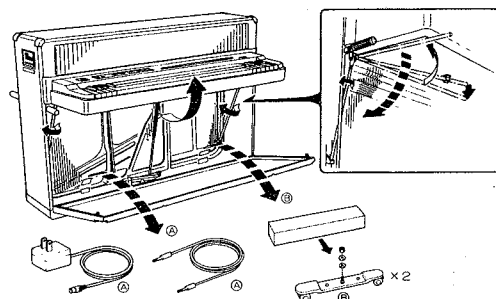
#### 鍵盤の固定

鍵盤の下に手を当て、ゆっくり持ちあげます。鍵盤の裏側左右に鍵盤固定用アームステイが取り付けられていますので、ホルダーからはずして、図のように、フレームの受け部に当て、鍵盤を持ち上げながら、アームが伸びる方向にアームを回し、確実に締めつけ、鍵盤がぐらつかないようにしてください。また、本体内部に、キャスターユニット、ACアダプター及び接続用ケーブルが入っていますので、取り出してください。

★収納する場合、鍵盤固定用アームステイを取りはずし、ホルダーに固定します。鍵盤を押さえるようにして、本体内に静かに収納します。オープンスティのピストン部は、傷や汚れなどがつきますと機能が劣化しますので、手を触れないでください。

#### ★鍵盤組立時の注意

- 鍵盤のセット位置が低すぎる場合
  - ・鍵盤の打力がアクションに伝わらず、2度打ちや音抜けが発生します。ステイの締めつけ不足です。通常の状態、ステイを回し、抵抗を感じるまで締めてください。
- 鍵盤のセット位置が高すぎる場合
  - ・鍵盤が重く感じたり、音が出ない場合があります。ステイの締めすぎです。ステイを一度ゆるめて、再度ステイを回し、抵抗を感じるまで締めてください。

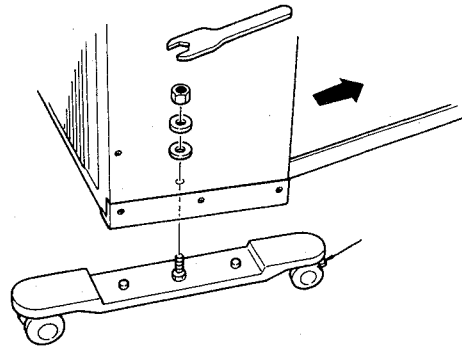


#### 4. Attaching the casters

After raising the front panel, one person lifts the piano by the handles while another attaches the casters. Make sure that the caster with the stop is in front. When attaching the casters, you may find it easier if you use a temporary wood block inside the place of attachment. Since the caster unit has a stop for preventing unwanted movement, keep it in stopped position except when moving the instrument.

##### キャスターユニットの取り付け

前板を起こしてから、1人がハンドルを持って持ち上げ、もう1人がキャスターユニットをストッパー付きキャスターが前面にくるように取り付けます。取り付ける際、キャスターユニット取付位置の内側に当て木をしますと、取付作業が楽におこなえます。また、キャスターユニットには、固定用ストッパーが付いていますので、移動時以外は、必ず、ストッパーを掛けてください。



#### 5. Fastening the front panel and the handles

Raise and fasten the front panel, and fold down the handles.

##### 前板、ハンドルの収納

前板を起こして本体に取り付け、ハンドルを倒します。

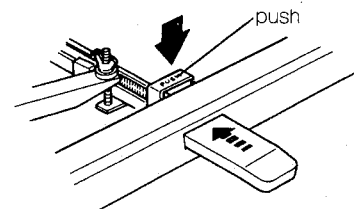
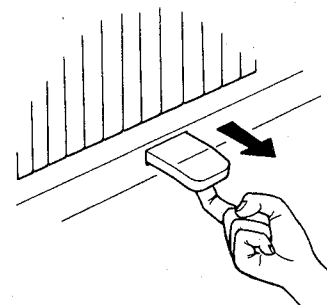
6. Pull the damper pedal out and it will lock in place. To retract the pedal for transportation, push down on the lever inside. If the pedal does not fully retract, push it in.

\*When moving the instrument, always carry it by the handles. Also, make sure that the power switch is off and all cables are unplugged.

##### ペダルの取り出し、収納

ダンパーペダルは、指で軽く引っ張ると、本体内部より出てきます。移動などで、収納する時は、内側の金具を下に押し、本体内部に収納されます。ダンパーペダルが奥まで戻らない場合は、押し込んでください。

★本体を移動する場合、必ず、ハンドルを持って移動してください。また、電源スイッチをOFFにし、電源及び接続ケーブルが取りはずしてあることを確認してから、移動してください。



## ■DISASSEMBLY PROCEDURES (分解手順)

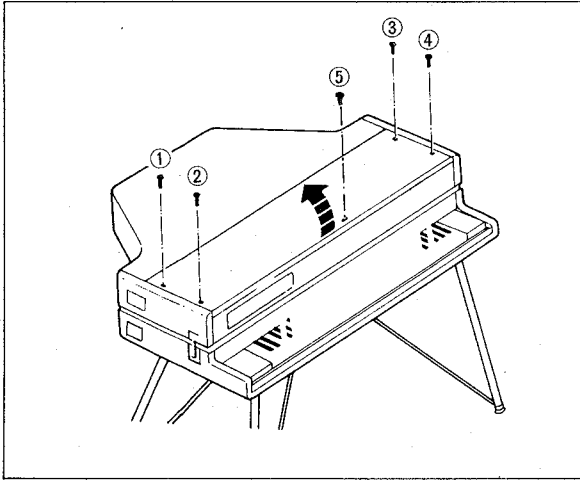
### ●CP80D,CP80M,CP70D,CP70M

#### 1. Opening the top lid

Unscrew screws (1) to (5) and lift the top lid up.

##### 上蓋の開き方

①～⑤のスクリューをはずし、上蓋を上を持ち上げます。

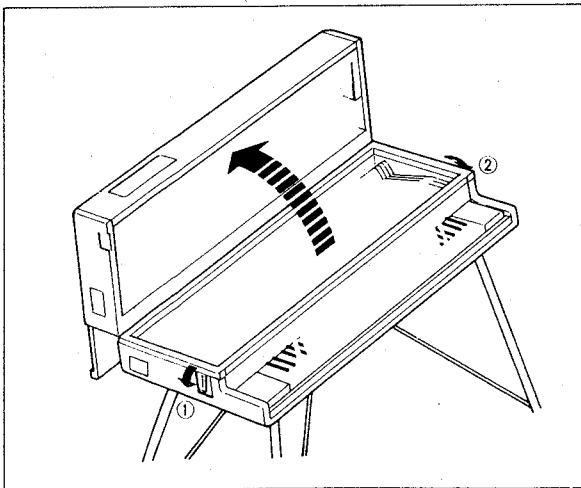


#### 2. Opening the top unit

Release hooks (1) and (2) at the left and right, and lift the top unit up slowly.

##### 上本体の開き方

①、②の左右フックをはずし、ゆっくり上を持ち上げます。

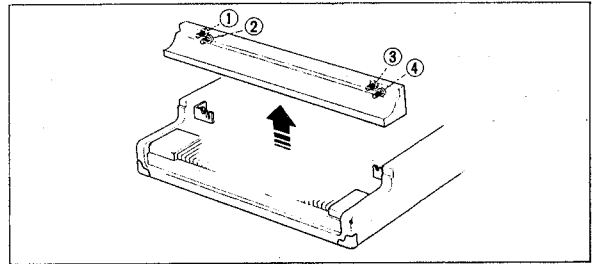


#### 3. Removing the action

Loosen screws (1) to (4), draw the front panel up, and detach the action.

##### アクションのはずし方

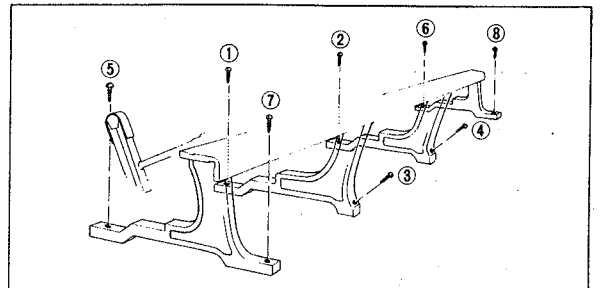
①～④のスクリューを緩め、前板を上に取り外しはずします。



4. Next, remove the screws in order from (1) to (8). When attaching, tighten the screws in order from (8) to (1). (The removal of the action may affect the touch of the keyboard. Avoid this at all cost.)

次に①～⑧のスクリューを順に従ってはずします。取り付けの際は⑧～①の順でスクリューを締めます。

(アクションの取りはずしは、鍵盤のタッチに影響を与えることがありますので極力避けてください。)



## ● CP60M

### 1. Top board and upper front panel removal

- ① Remove 4 screws of the top board and then remove it by pulling it up.

Note: Don't remove the top board slantwise as the upper front panel and back board are fitted in the groove of the top board.

- ② Remove 5 screws of the upper front panel (inside) and then remove it by pulling it gradually.

#### 屋根及び上前板の外し方

- ① 屋根のネジ 4 本を外し、真上へ持ち上げはしません。

注) 上前板及び裏板が、屋根の溝にはさまっていますので、屋根を斜めに外さないでください。

- ② 上前板は、内側のネジ 5 本を外し、手前にゆっくり引いてはしません。

### 2. Lower front panel removal

Open the lower front panel and remove the right and left ropes by loosening the screws on the side board.

Remove the lower front panel by removing the screws of the hinges on the bottom board and then remove the lower front panel.

#### 下前板の外し方

下前板を開け、左右のロープを、親板側のネジをゆるめてはしません。

下前板は、本体底板側の蝶番のネジを外し、下前板をはしません。

### 3. Panel unit removal

- ① Assemble the unit in the state ready for performance.

- ② Remove the top board and upper front panel. (Refer to 1. Top board and upper front panel removal.)

- ③ Remove the screws fixing the front rail and the ones fixing the right and left endblocks, and then remove the panel unit.

#### パネルユニットの外し方

- ① 本体を演奏状態に組み立てます。

- ② 屋根、上前板を外します。(1. を参照)

- ③ フロントレールを止めているネジ及び左右の拍子木を止めているネジを外し、パネルユニットを外します。

### 4. MIDI Ass'y removal

- ① Assemble the unit in the state ready for performance.

- ② Remove the left side panel on the back connectors.

- ③ Remove the screws fixing the MIDI ass'y and then remove the MIDI ass'y.

Note: Two or more persons should take part in removing the MIDI ass'y.

#### MIDI Ass'yの外し方

- ① 本体を演奏状態に組み立てます。

- ② 鍵盤裏側の左側のパネルを外し、コネクターを外します。

- ③ MIDI Ass'yを取り付けているネジを外し、MIDI Ass'yを外します。

注) MIDI Ass'yを外す時は、必ず、2人以上で作業を行ってください。

## REGULATION SPECIFICATIONS (調整基準)

Regulation		CP80D/CP80M/ CP70D/CP70M	CP60M
Key Height (鍵盤高さ)	Natural Key (from keybed to key top)	64 mm (Refer to page 13)	50 mm (62 mm) (Refer to page 14)
	Sharp Key (from natural key top to sharp key top)	12 mm	12 mm
Hammer Blow Distance (打弦距離)		40 mm	38 mm
Let Off (ハンマー接近)		1.5 mm ~ 2.5 mm	2 mm ~ 5 mm
Hammer Drop (ハンマー戻り)		2 mm (from let off point)	—
Key Dip (鍵盤深さ)		10 mm	10 mm
Hammer Stop (ハンマーストップ)		12 mm ~ 14 mm	13 mm
Damper Lift (ダンパー掛かり)		20 mm	20 mm

## ELECTRICAL ADJUSTMENTS (電気調整手順)

Adjustment (調整)	Condition (調整)	Adjust (調整ボリューム)	Measurement point & rating to be adjusted. (測定点と調整値)
Output level (出力レベル)	Feed a 400Hz, -20dB sinewave signal into the IN terminal on the MA circuit board. (MAシートのINに400Hz, -20dBのサイン波を入力する。)	VR2	-20dB at unbalanced OUT CH1. (アンバランスOUT CH1 で-20dB)
		VR4	-20dB at unbalanced OUT CH2. (アンバランスOUT CH2 で-20dB)
Tremolo oscillation level (トレモロ発振レベル)	—	VR1	-16dB at TP1 on MA circuit board. (MAシートのTP1で-16dB)
Tremolo modulation ratio (変調度)	With TREMOLO switch ON, SPEED at Max. and DEPTH at Max., feed a 400Hz, -20dB sinewave signal into the IN terminal on the MA circuit board. (TREMOLOスイッチをONに、SPEEDスイッチをMax.に、DEPTHをMax.にして、MAシートのINに400Hz, -20dBのサイン波を入力する。)	VR3	40% at unbalanced OUT CH1. (アンバランスOUT CH1 で40%)
		VR5	40% at unbalanced OUT CH2. (アンバランスOUT CH2 で40%)

When dB represents a specific voltage, 0dB is referenced to 0.775V RMS.

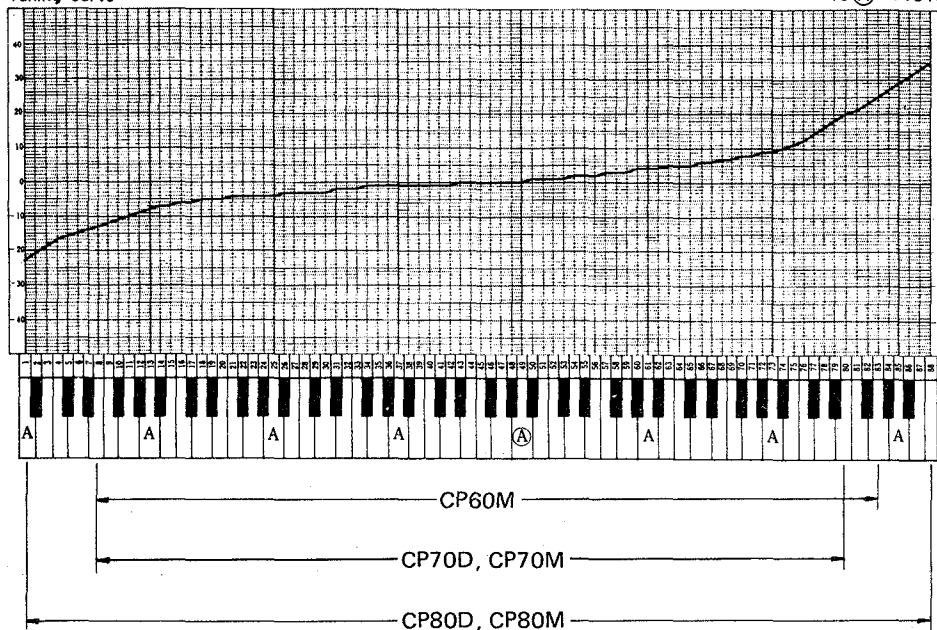
# TUNING (調律)

49<sup>Ⓐ</sup> = 440Hz

Key No.	Cent	PT-4 Octave Switch Setting	Key No.	Cent	PT-4 Octave Switch Setting	Key No.	Cent	PT-4 Octave Switch Setting	Key No.	Cent	PT-4 Octave Switch Setting
1 A	-23	③	23 G	-4	④	45 F	0	④	67 D #	+6	⑥
2 A #	-21	③	24 G #	-4	④	46 F #	0	④	68 E	+7	⑥
3 B	-19	③	25 A	-4	④	47 G	0	④	69 F	+7	⑥
4 C	-17	③	26 A #	-3	④	48 G #	0	④	70 F #	+8	⑥
5 C #	-16	③	27 B	-3	④	49 A	0	⑤	71 G	+8	⑥
6 D	-15	③	28 C	-3	④	50 A #	+1	⑤	72 G #	+9	⑥
7 D #	-14	③	29 #	-3	④	51 B	+1	⑤	73 A	+9	⑦
8 E	-13	③	30 D	-3	④	52 C	+1	⑤	74 A #	+10	⑦
9 F	-12	③	31 D #	-2	④	53 C #	+1	⑤	75 B	+11	⑦
10 F #	-11	③	32 E	-2	④	54 D	+2	⑤	76 C	+12	⑦
11 G	-10	③	33 F	-2	④	55 D #	+2	⑤	77 C #	+14	⑦
12 G #	-9	③	34 F #	-1	④	56 E	+2	⑤	78 D	+16	⑦
13 A	-8	④	35 G	-1	④	57 F	+3	⑤	79 D #	+18	⑦
14 A #	-7	④	36 G #	-1	④	58 F #	+3	⑤	80 E	+20	⑦
15 B	-7	④	37 A	-1	④	59 G	+3	⑤	81 F	+21	⑦
16 C	-6	④	38 A #	-1	④	60 G #	+4	⑤	82 F #	+23	⑦
17 C #	-6	④	39 B	-1	④	61 A	+4	⑥	83 G	+25	⑦
18 D	-5	④	40 C	-1	④	62 A #	+4	⑥	84 G #	+27	⑦
19 D #	-5	④	41 C #	-1	④	63 B	+5	⑥	85 A	+29	⑧
20 E	-5	④	42 D	-1	④	64 C	+5	⑥	86 A #	+31	⑧
21 F	-4	④	43 D #	0	④	65 C #	+5	⑥	87 B	+33	⑧
22 F #	-4	④	44 E	0	④	66 D	+6	⑥	88 C	+35	⑧

Tuning Curve

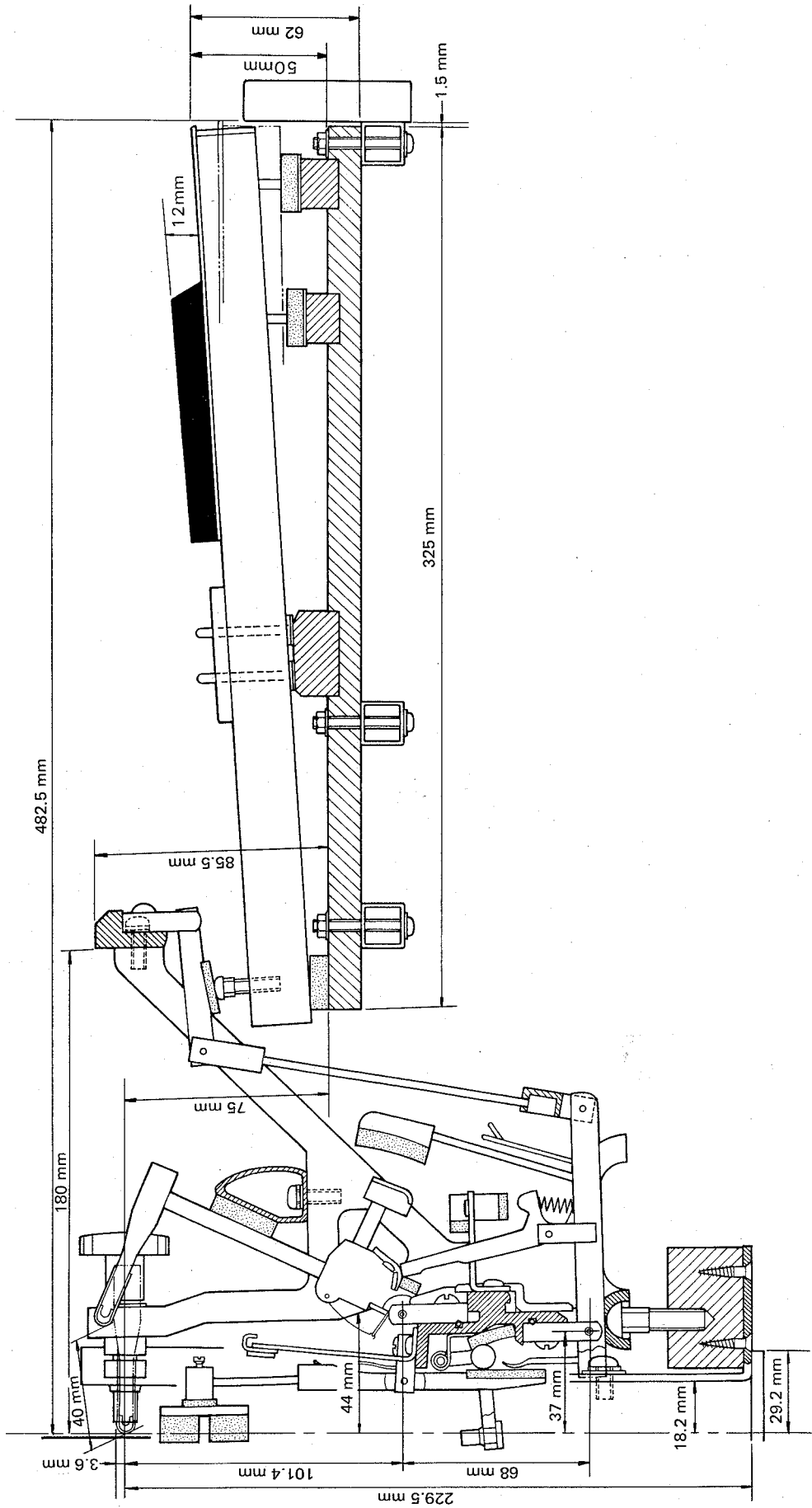
49<sup>Ⓐ</sup> = 440Hz



**NOTE:**

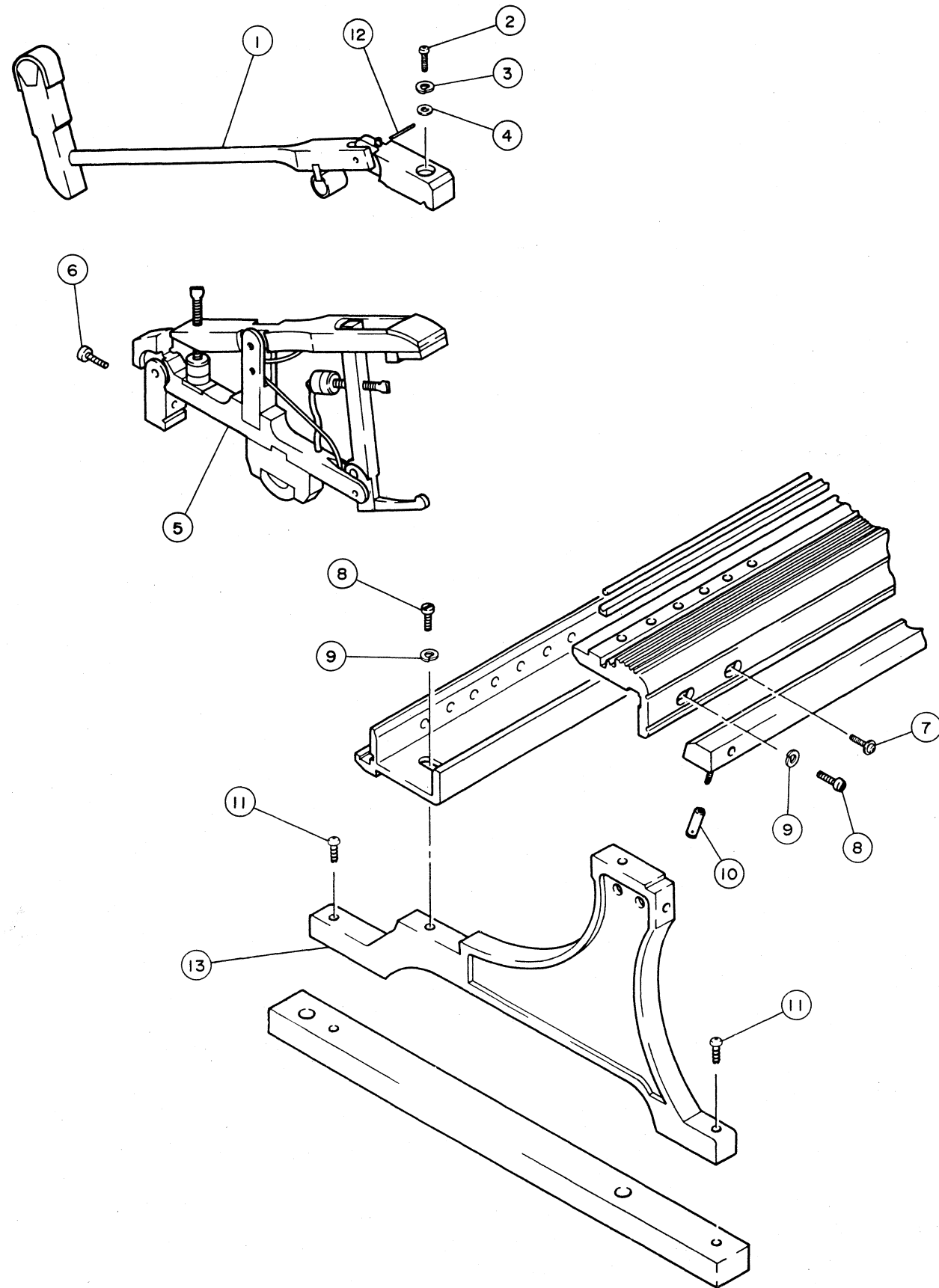
Because of the nature of the harmonics of a vibrating string, it is generally possible to have a string correctly tuned and still hear a "beat" when the string is sounded simultaneously with another tone one octave higher. This phenomenon may be more pronounced in the CP series pianos due to its basic design concept aiming at the maximum portability. The accompanying curve will be helpful when tuning.







7. Hammer Assembly, Whippen Assembly  
(ハンマー, サポート Ass'y)

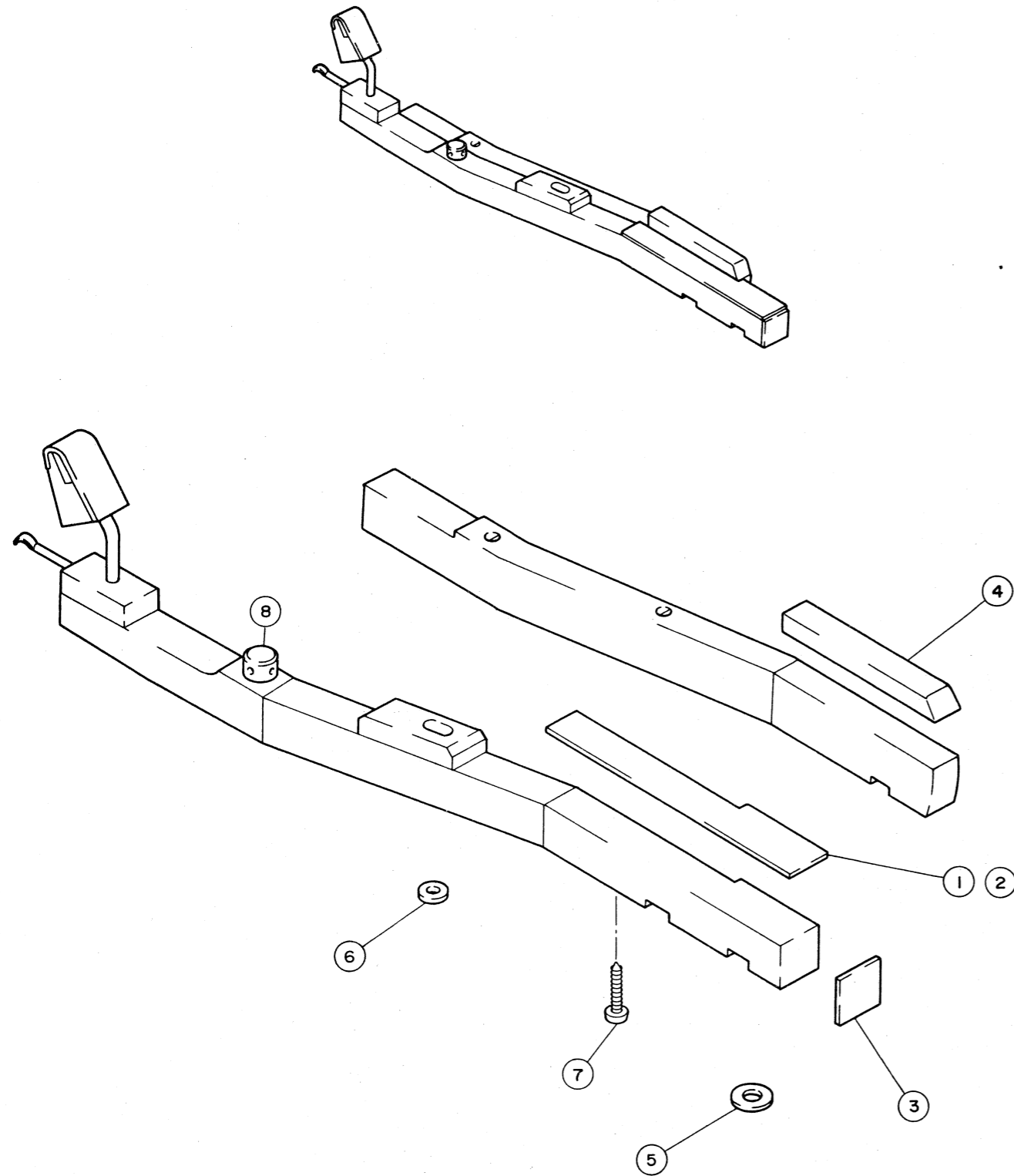


Ref. No.	Part No.	Description	品名		Remarks	ランク	
			CP70D,M	CP80D,M			
1	NB 97 00 50	Hammer Assembly	1E~25E	1A~32E	ハンマー Ass'y	07	
"	NB 97 00 60	"	26F~47D	33F~58F#	"	07	
"	NB 97 00 70	"	48D#~63F#	59G~71G	"	07	
"	NB 97 00 80	"	64G~73E	72G#~80E	"	07	
"	NB 97 02 40	"		81F,82F#	"	07	
"	NB 97 02 50	"		83G~88C	"	07	
2	AA 97 01 90	Shank Flange Screw			シャンクフレンジスクリュー	01	
3	AA 97 02 00	Flange Spring Washer			フレンジバネ座金	01	
4	AA 97 02 10	Flange Plain Washer			フレンジ平座金	01	
			CP70D,M	CP80D,M			
※	5	NX 50 78 80	Whippen Assembly	1E~25E	1A~30D	サポート Ass'y	06
※	"	NX 50 78 90	"	26F~50F	31D#~50A#	"	06
※	"	NX 50 79 00	"	51F#~73E	51B~70F#	"	06
※	"	NX 50 79 10	"		71G~88C	"	06
6	AA 97 01 80	Whippen Flange Screw			サポートフレンジスクリュー	01	
7	AA 97 01 10	Regulating Rail Screw			レギュレーチングレールスクリュー	01	
8	AA 97 01 50	Bracket Screw			ブラケット取付スクリュー	01	
9	AA 97 01 60	Bracket Spring Washer			スプリングワッシャー	01	
10	CB 95 00 70	Regulating Button			レギュレーチングボタン	07	
11	EQ 03 52 06	Round Head Wood Screw	3.5×25	Ye	丸木ネジ	Side	
"	EQ 13 53 26	"	3.5×32	Ye	"	Middle	
12	AA 97 02 70	Center Pin	#20	1.25	センターピン	01	
"	AA 97 02 80	"	#21	1.30	"	01	
"	AA 97 02 90	"	#22	1.35	"	01	
"	AA 97 03 00	"	#23	1.40	"	01	
"	AA 97 03 10	"	#24	1.45	"	01	
"	AA 97 03 20	"	#25	1.50	"	01	
※	13	BX 50 00 50	Action Bracket	Middle	アクションブラケット	03	
※	"	BX 50 00 60	"	Left	"	03	
※	"	BX 50 00 70	"	Right	"	03	

※ : New Parts NR

ランク: Japan only

1. Key Assemblies (鍵盤 Ass'y)

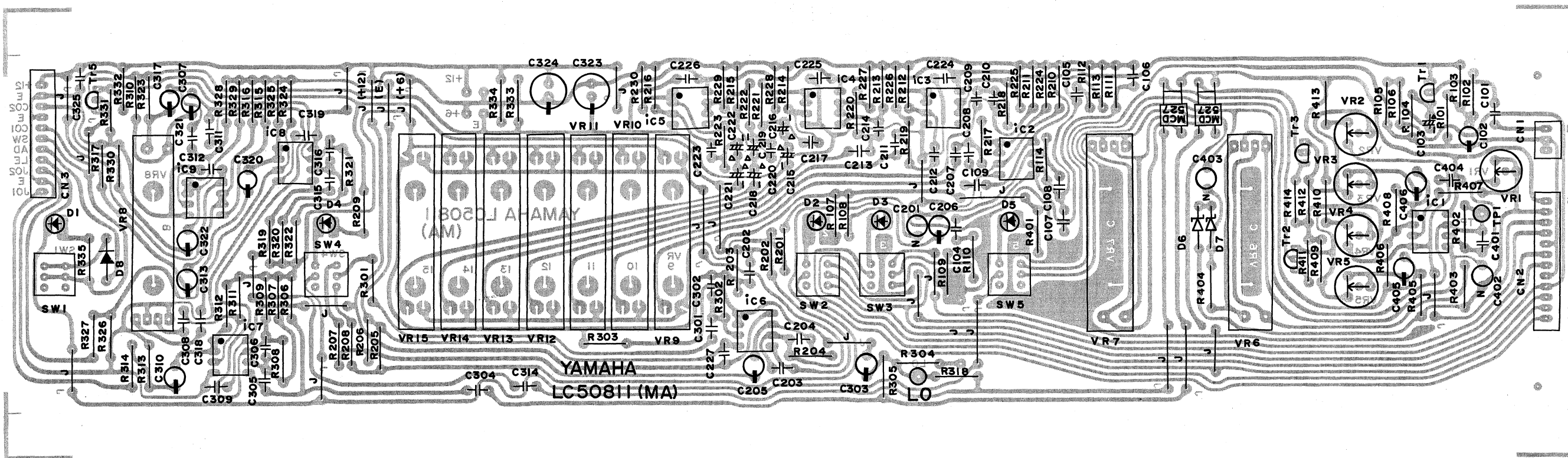


Ref. No.	Part No.	Description	品名	Remarks	ランク	
1	CB 95 01 80	White Key Top	Octave	白 鍵 上 面	C,D,E,F,G,A,B	04
2	CB 95 01 90	"		"	Lowest A,B, Highest C (Lowest E)	04
3	CB 95 02 00	White Key Front		白 鍵 前 面		01
4	CX 50 00 40	Black Key Top		黒 鍵 上 面		01
5	CD 06 01 30	Cloth Panching	Front	クロスパンチング (前)		01
6	CD 90 10 40	"	Balance	" (バランス)		01
* 7	EJ 03 52 56	Pan Head Tapping Screw	3.5x2.5	ナベタップピンネジ	(CP70M,CP80M)	01
* 8	AX 50 02 50	Capstan Screw		キャプスタンスクリュー		01
	CP70D,CP70M	CP80D,CP80M				
* NX 50 53 10	NX 50 69 10	Key Assembly	Key # 1	鍵 Ass'y		18
* NX 50 53 20	NX 50 69 20	"	Key # 2	"		18
* NX 50 53 30	NX 50 69 30	"	Key # 3	"		18
* NX 50 53 40	NX 50 69 40	"	Key # 4	"		18
* NX 50 53 50	NX 50 69 50	"	Key # 5	"		18
* NX 50 53 60	NX 50 69 60	"	Key # 6	"		18
* NX 50 53 70	NX 50 69 70	"	Key # 7	"		18
* NX 50 53 80	NX 50 69 80	"	Key # 8	"		18
* NX 50 53 90	NX 50 69 90	"	Key # 9	"		18
* NX 50 54 00	NX 50 70 00	"	Key # 10	"		18
* NX 50 54 10	NX 50 70 10	"	Key # 11	"		18
* NX 50 54 20	NX 50 70 20	"	Key # 12	"		18
* NX 50 54 30	NX 50 70 30	"	Key # 13	"		18
* NX 50 54 40	NX 50 70 40	"	Key # 14	"		18
* NX 50 54 50	NX 50 70 50	"	Key # 15	"		18
* NX 50 54 60	NX 50 70 60	"	Key # 16	"		18
* NX 50 54 70	NX 50 70 70	"	Key # 17	"		18
* NX 50 54 80	NX 50 70 80	"	Key # 18	"		18
* NX 50 54 90	NX 50 70 90	"	Key # 19	"		18
* NX 50 55 00	NX 50 71 00	"	Key # 20	"		18
* NX 50 55 10	NX 50 71 10	"	Key # 21	"		18
* NX 50 55 20	NX 50 71 20	"	Key # 22	"		18
* NX 50 55 30	NX 50 71 30	"	Key # 23	"		18
* NX 50 55 40	NX 50 71 40	"	Key # 24	"		18
* NX 50 55 50	NX 50 71 50	"	Key # 25	"		18
* NX 50 55 60	NX 50 71 60	"	Key # 26	"		18
* NX 50 55 70	NX 50 71 70	"	Key # 27	"		18
* NX 50 55 80	NX 50 71 80	"	Key # 28	"		18
* NX 50 55 90	NX 50 71 90	"	Key # 29	"		18
* NX 50 56 00	NX 50 72 00	"	Key # 30	"		18
* NX 50 56 10	NX 50 72 10	"	Key # 31	"		18
* NX 50 56 20	NX 50 72 20	"	Key # 32	"		18
* NX 50 56 30	NX 50 72 30	"	Key # 33	"		18
* NX 50 56 40	NX 50 72 40	"	Key # 34	"		18
* NX 50 56 50	NX 50 72 50	"	Key # 35	"		18
* NX 50 56 60	NX 50 72 60	"	Key # 36	"		18
* NX 50 56 70	NX 50 72 70	"	Key # 37	"		18
* NX 50 56 80	NX 50 72 80	"	Key # 38	"		18
* NX 50 56 90	NX 50 72 90	"	Key # 39	"		18
* NX 50 57 00	NX 50 73 00	"	Key # 40	"		18
* NX 50 57 10	NX 50 73 10	"	Key # 41	"		18
* NX 50 57 20	NX 50 73 20	"	Key # 42	"		18

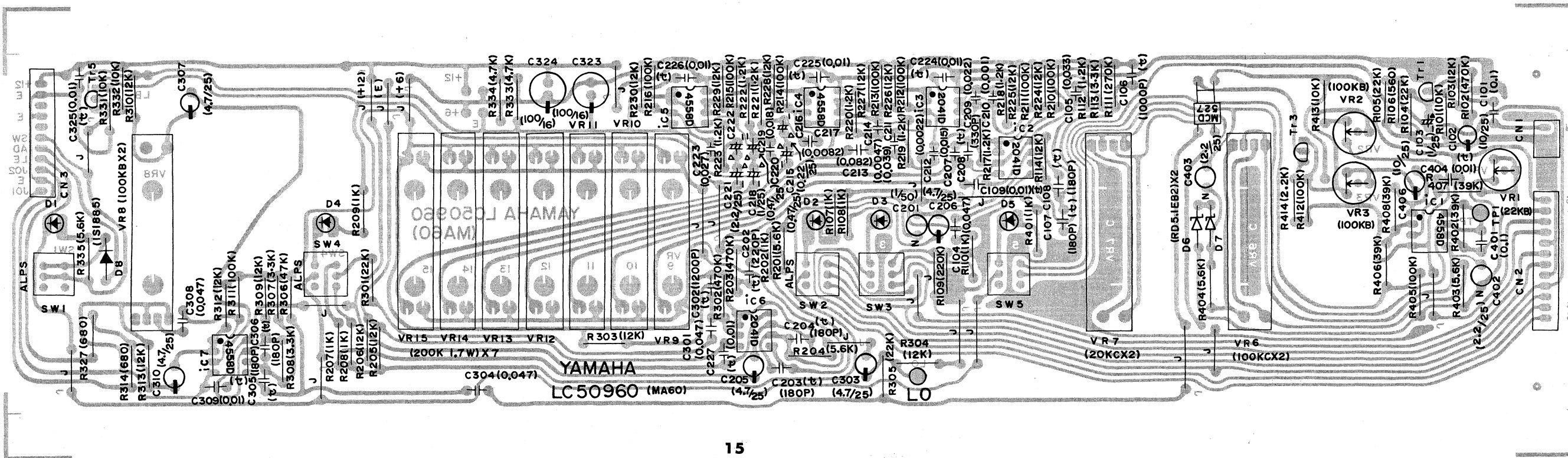
\* : New Parts NR

ランク: Japan only

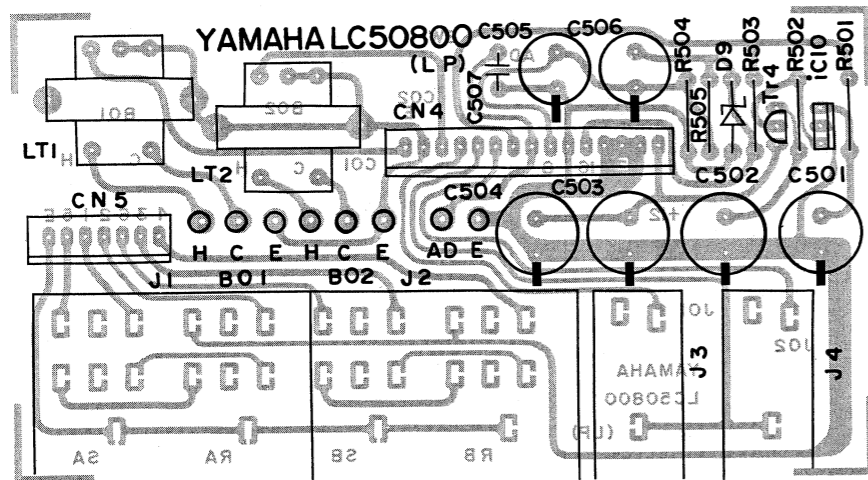
**MA CIRCUIT BOARD**  
(CP80D, CP80M, CP70D, CP70M)



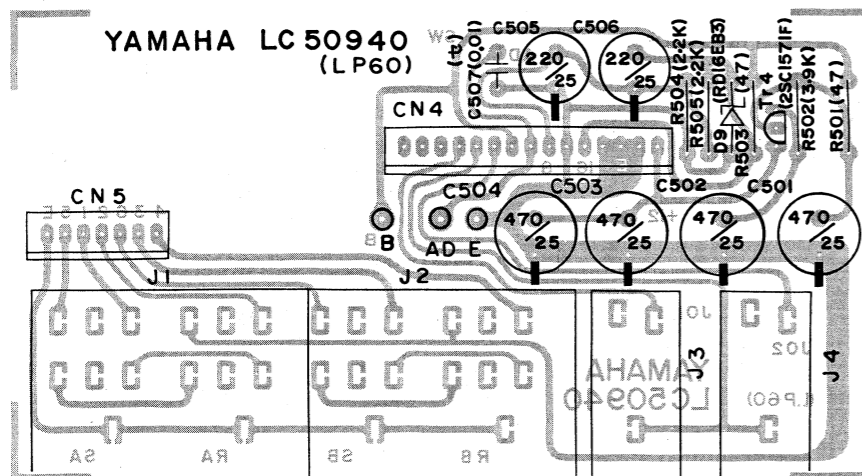
**MA CIRCUIT BOARD**  
(CP60M)



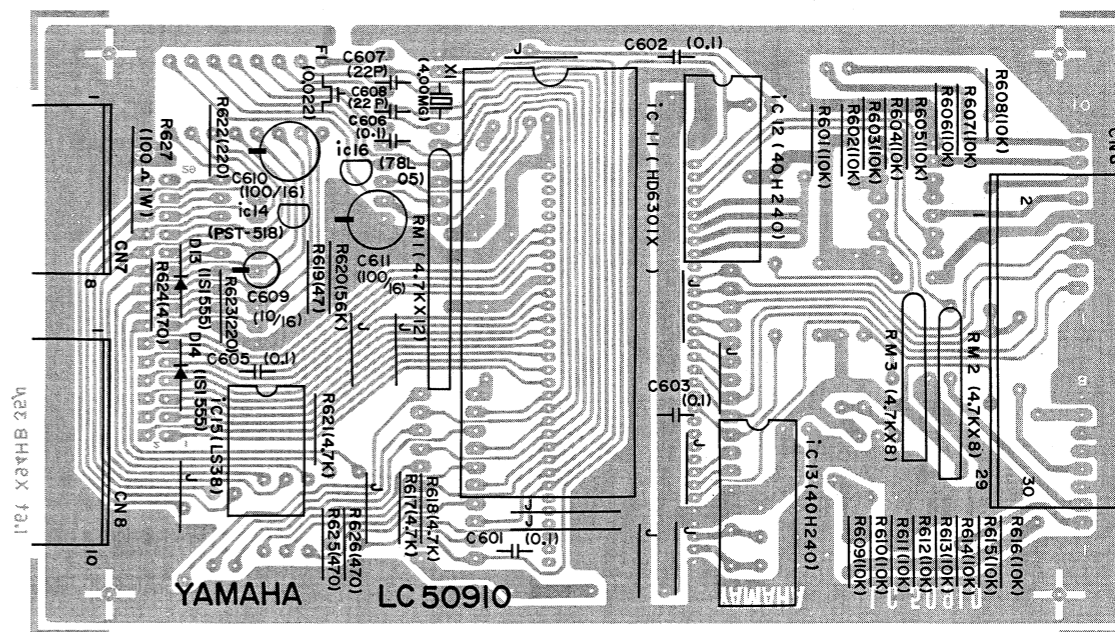
■ LP CIRCUIT BOARD  
(CP80D, CP80M, CP70D, CP70M)



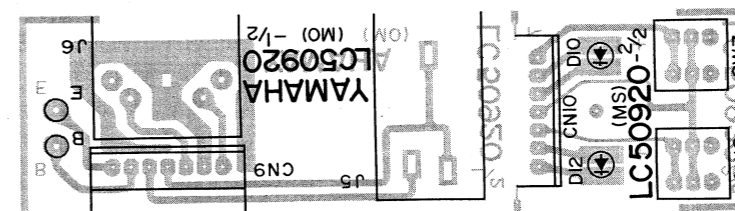
■ LP CIRCUIT BOARD  
(CP60M)



■ MIDI CIRCUIT BOARD  
(CP80M, CP70M, CP60M)



■ MIDI OUT/SWITCH CIRCUIT BOARD  
(CP80M, CP70M, CP60M)



Function ...	Transmitted	Remarks
: Basic Default	: 1	
: Channel Changed	: X	
: Mode Default	: 3	
: Mode Messages	: X	
: Mode Altered	: *****	
: Note Number	: 28-100(CP70M), 21-108(CP80M)	
: Note True voice	: *****	
: Velocity Note ON	: O 90H, V=1-127	
: Velocity Note OFF	: X 90H, V=0	
: After Key's	: X	
: Touch Ch's	: X	
: Pitch Bender	: X	
: Control Change	: 64 : V=0 (off), V=127(on)	: Sustain switch
: Prog Change	: X	
: Prog Change True #	: *****	
: System Exclusive	: X	
: System Song Pos	: X	
: System Song Sel	: X	
: Common Tune	: X	
: System Clock	: X	
: Real Time Commands	: X	
: Aux Local ON/OFF	: X	
: Aux All Notes OFF	: X	
: Messages Active Sense	: O	
: Messages Reset	: X	
: Notes		

Mode 1 : OMNI ON, POLY  
Mode 3 : OMNI OFF, POLY

Mode 2 : OMNI ON, MONO  
Mode 4 : OMNI OFF, MONO

O : Yes  
X : No

Function ...	Transmitted	Remarks
:Basic Default	: 1	:
:Channel Changed	: X	:
: Mode Default	: 3	:
: Mode Messages	: X	:
: Mode Altered	: *****	:
:Note	: 28-103	:
:Number : True voice	: *****	:
:Velocity Note ON	: 90H,V=1-127	:
: Velocity Note OFF	: 90H,V=0	:
:After Key's	: X	:
:Touch Ch's	: X	:
:Pitch Bender	: X	:
: 64	: V=0(off),V=127(on)	: Sustain switch
:Control	:	:
:Change	:	:
: Prog	: X	:
:Change : True #	: *****	:
:System Exclusive	: X	:
:System : Song Pos	: X	:
: : Song Sel	: X	:
:Common : Tune	: X	:
:System :Clock	: X	:
:Real Time :Commands	: X	:
:Aux :Local ON/OFF	: X	:
: :All Notes OFF	: X	:
:Mes- :Active Sense	: O	:
:sages:Reset	: X	:
:Notes	:	:
:	:	:
:	:	:
:	:	:

Mode 1 : OMNI ON, POLY      Mode 2 : OMNI ON, MONO      O : Yes  
 Mode 3 : OMNI OFF, POLY    Mode 4 : OMNI OFF, MONO    X : No  
 20

CP80D, CP80M, CP70D, CP70M OVERALL CIRCUIT DIAGRAM

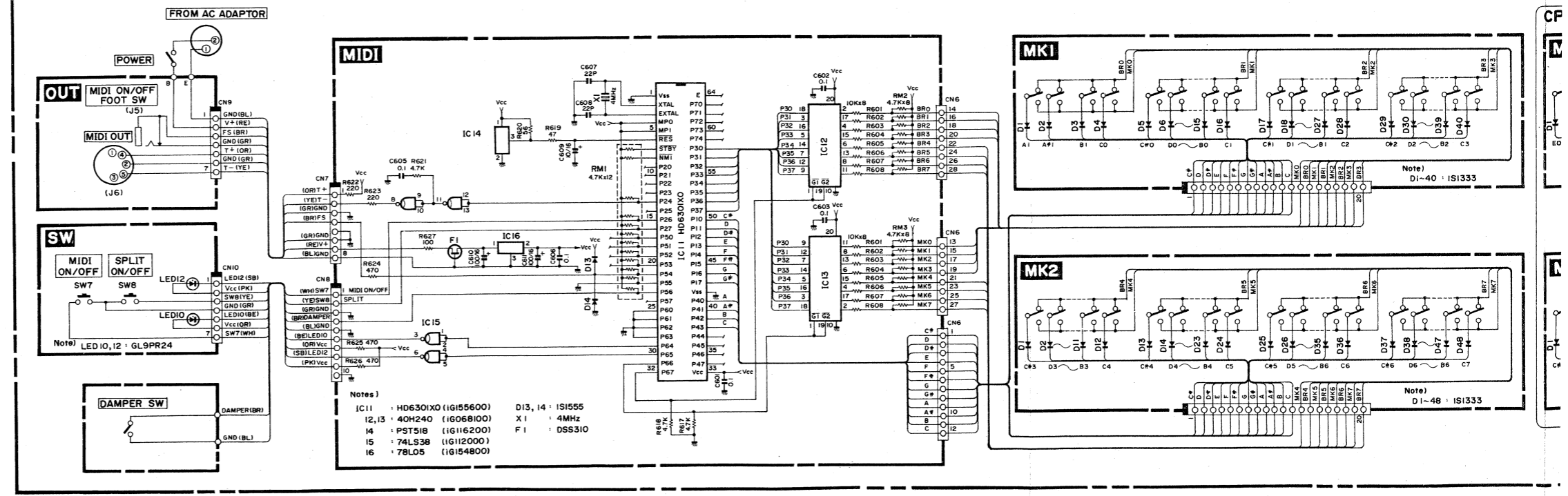
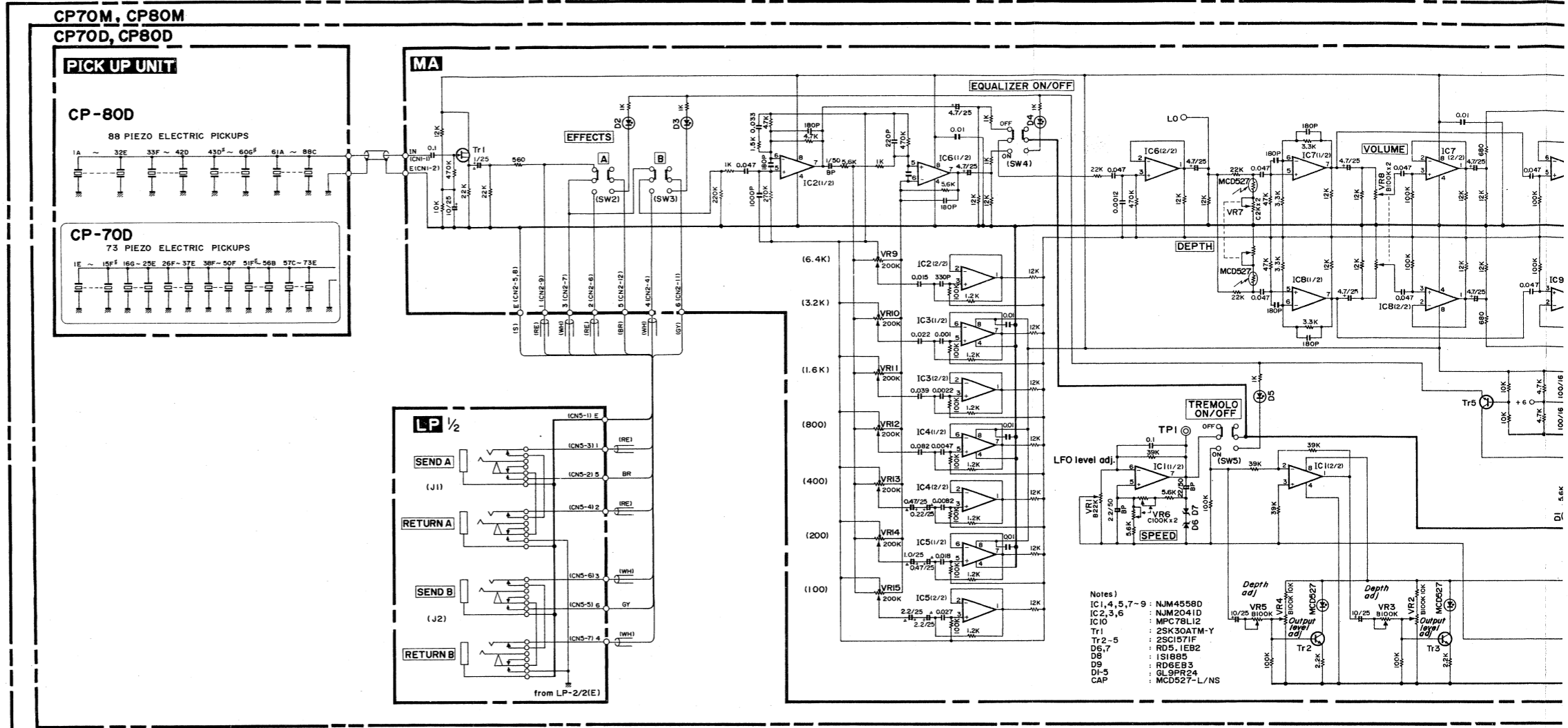
1

2

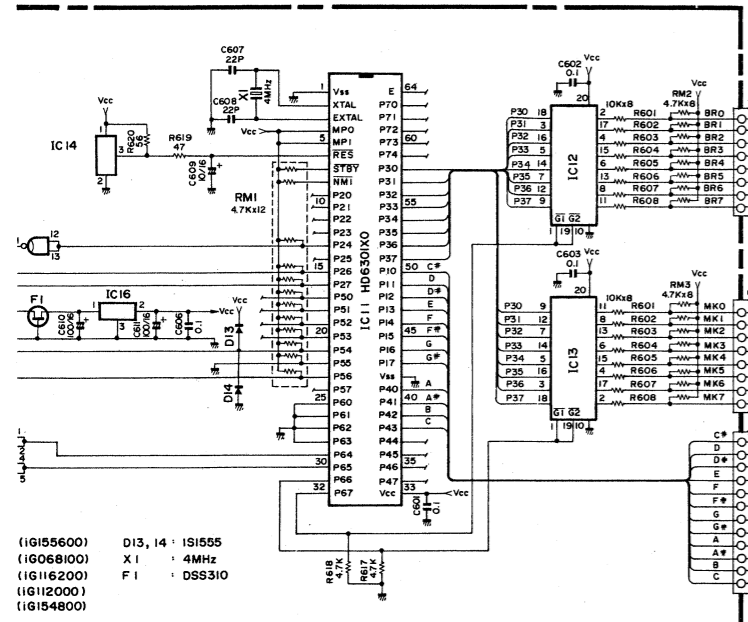
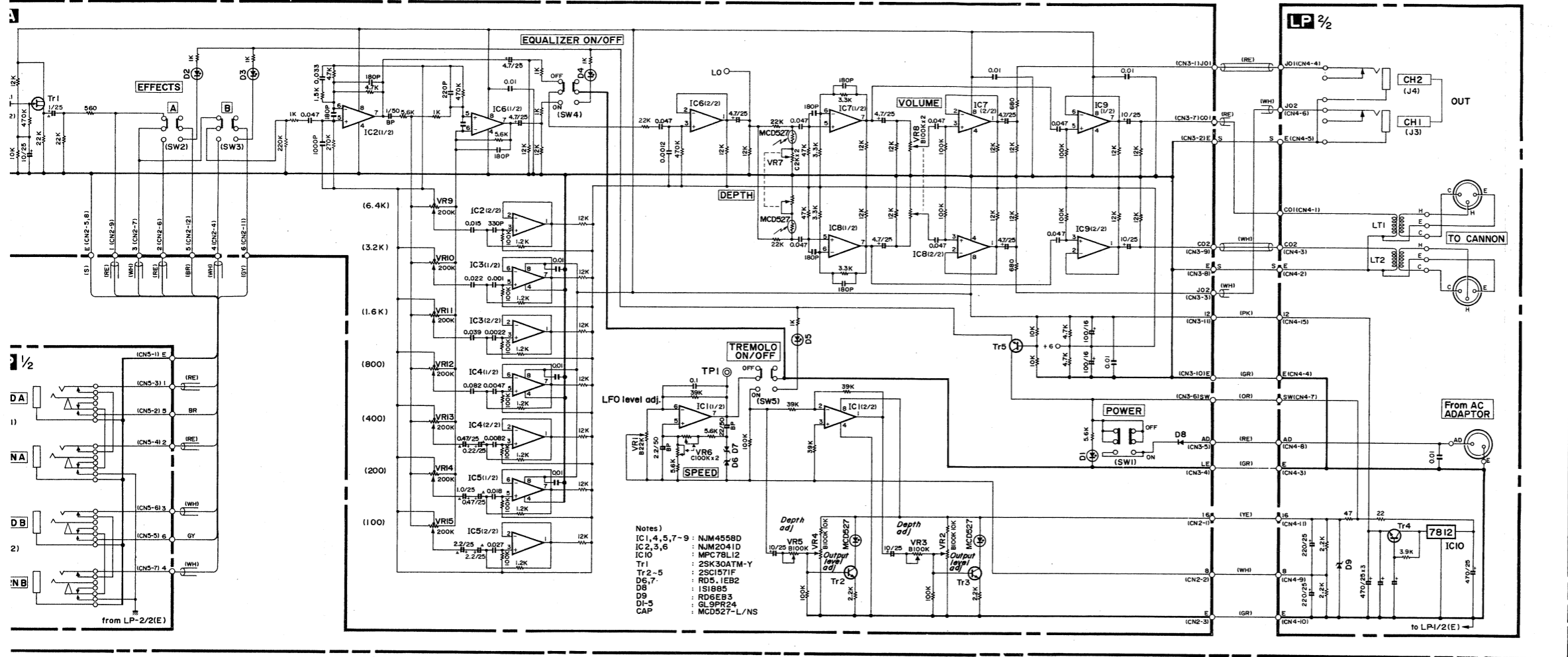
3

4

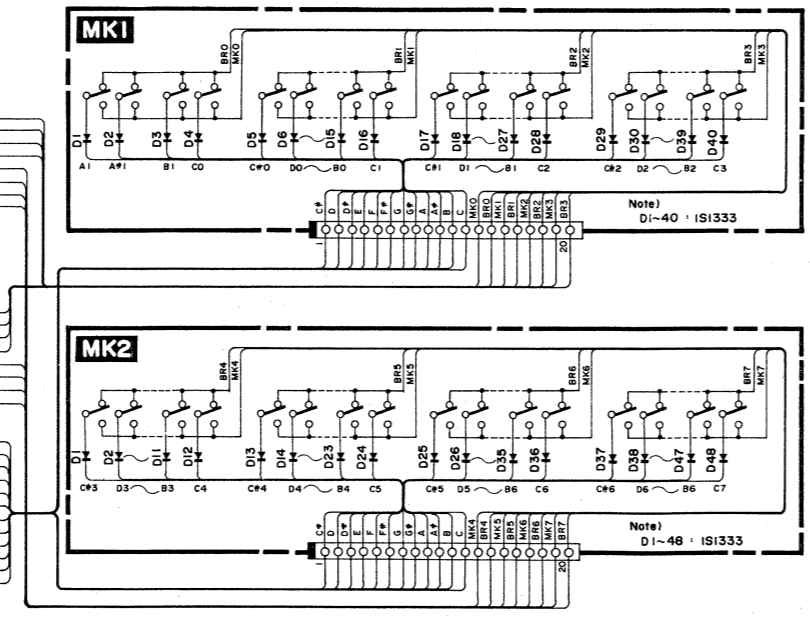
5



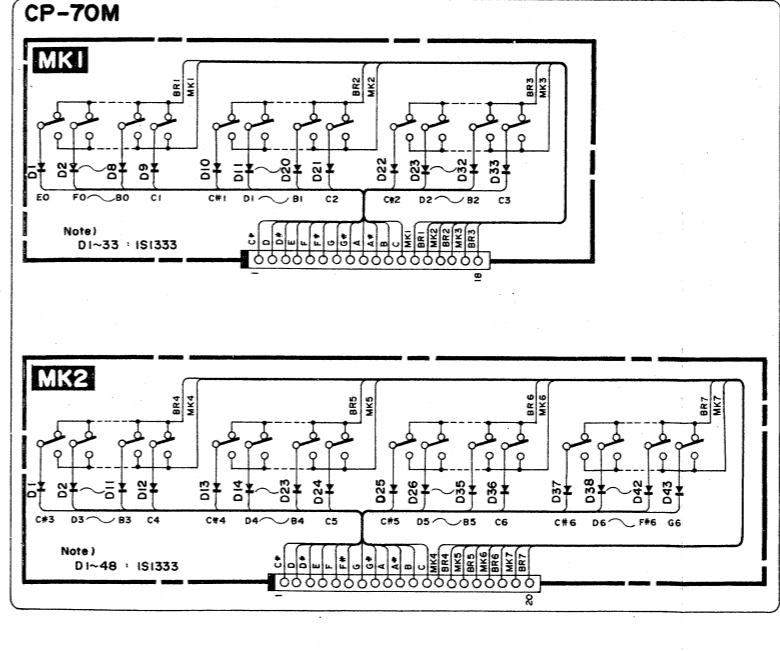
CP80D, CP80M, CP70D, CP70M OVERALL CIRCUIT DIAGRAM



(G155600) D13, 14 : IS1555  
 (G1068100) X1 : 4MHz  
 (G116200) F1 : DSS310  
 (G112000)  
 (G154800)



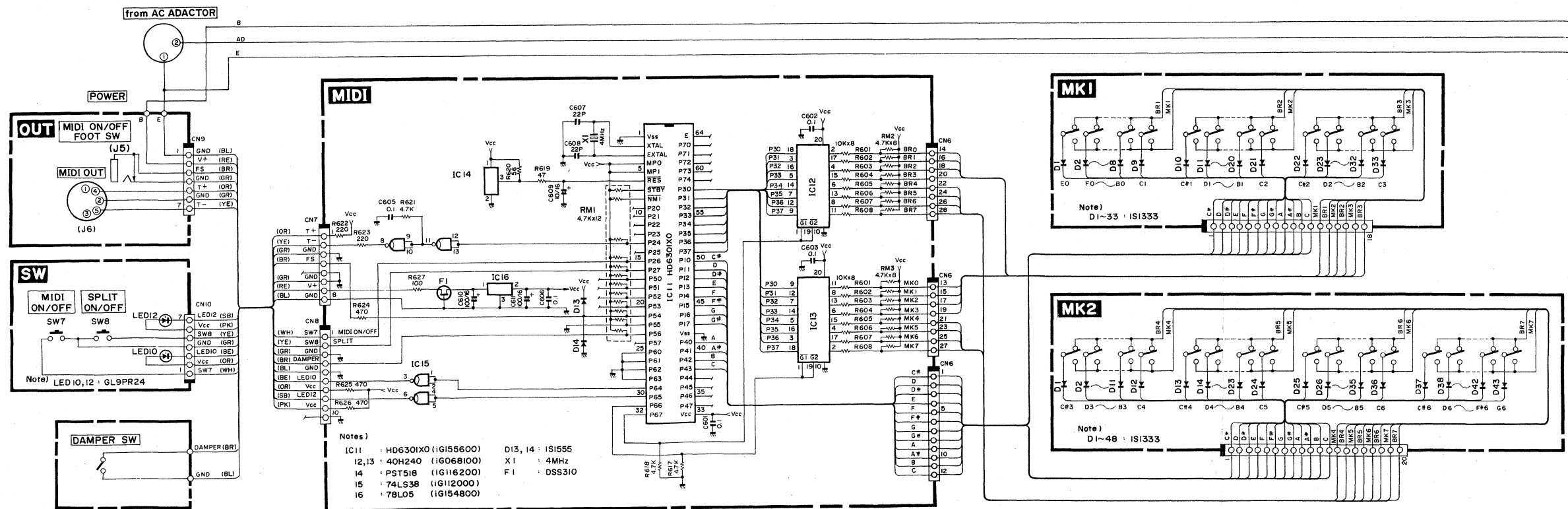
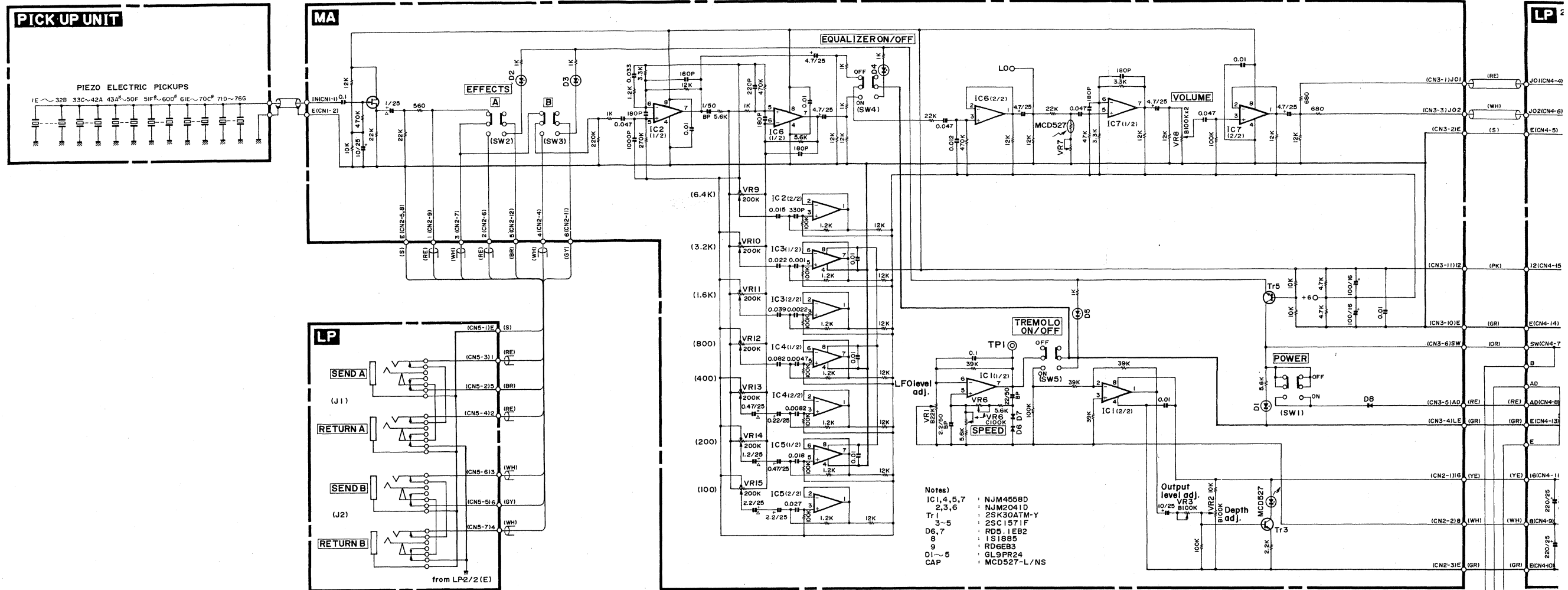
(G155600) D13, 14 : IS1555  
 (G1068100) X1 : 4MHz  
 (G116200) F1 : DSS310  
 (G112000)  
 (G154800)



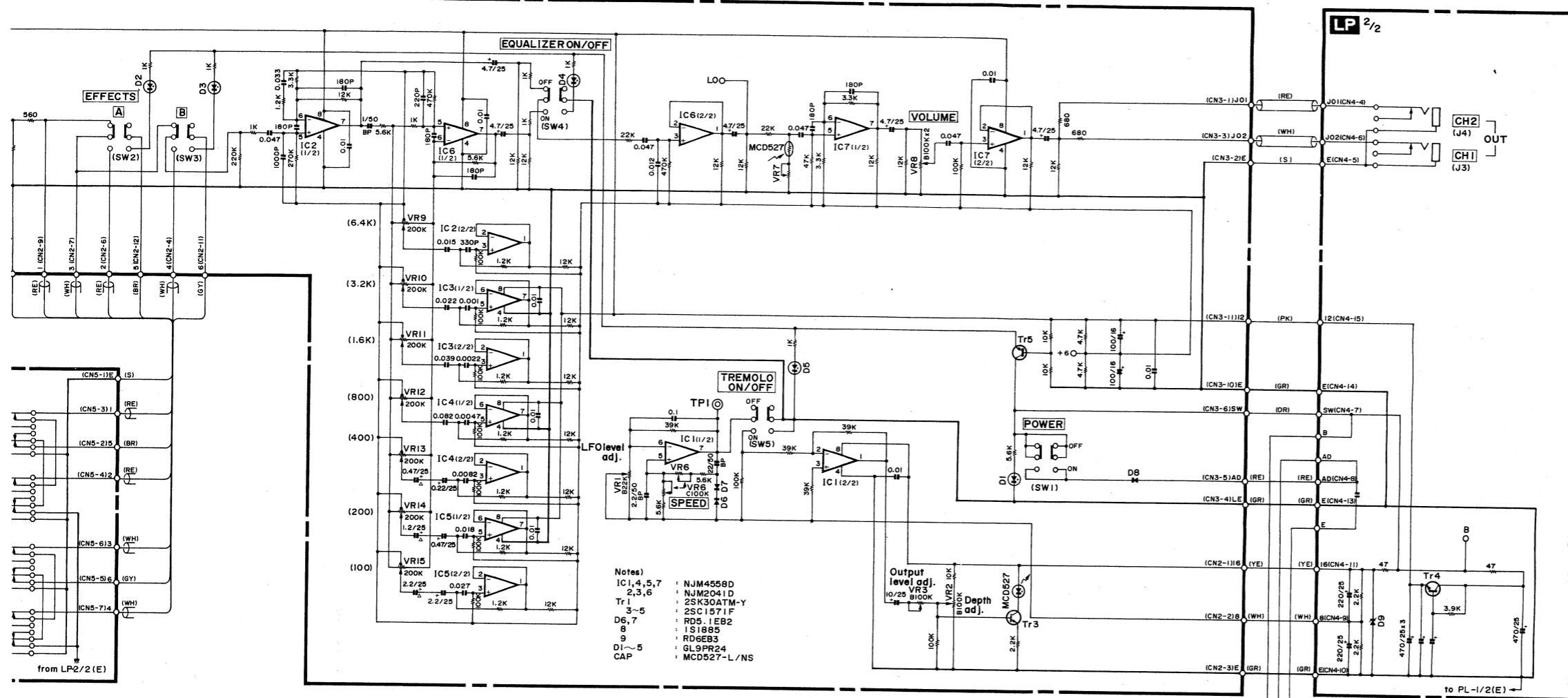
(G155600) D13, 14 : IS1555  
 (G1068100) X1 : 4MHz  
 (G116200) F1 : DSS310  
 (G112000)  
 (G154800)



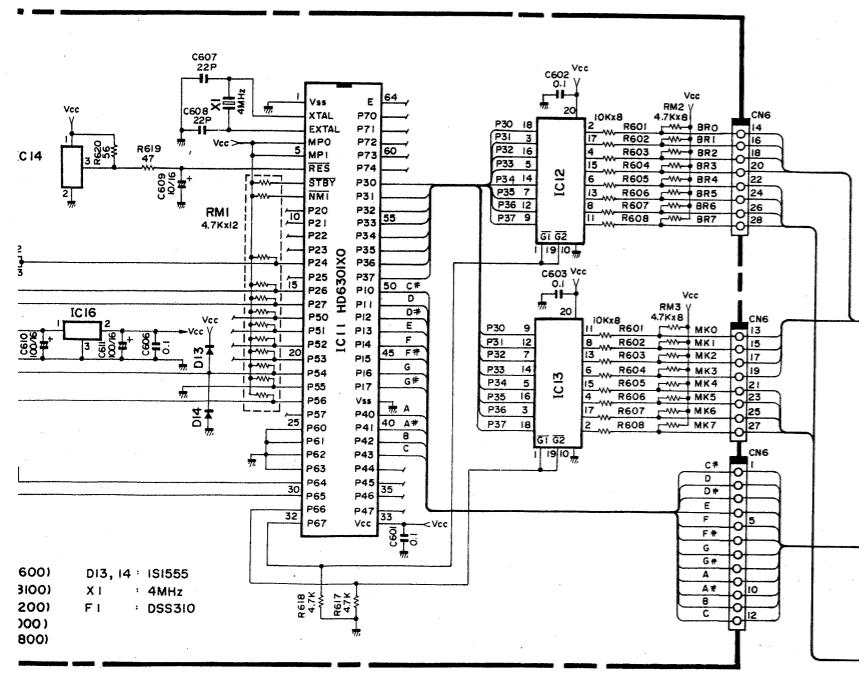
OVERALL CIRCUIT DIAGRAM



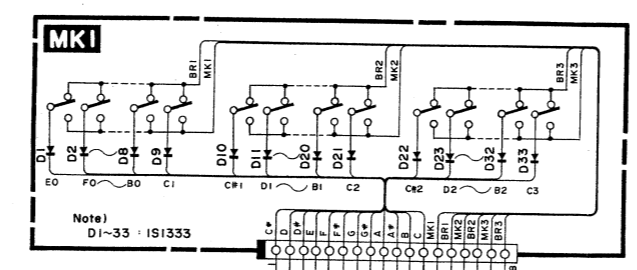
CP60M OVERALL CIRCUIT DIAGRAM



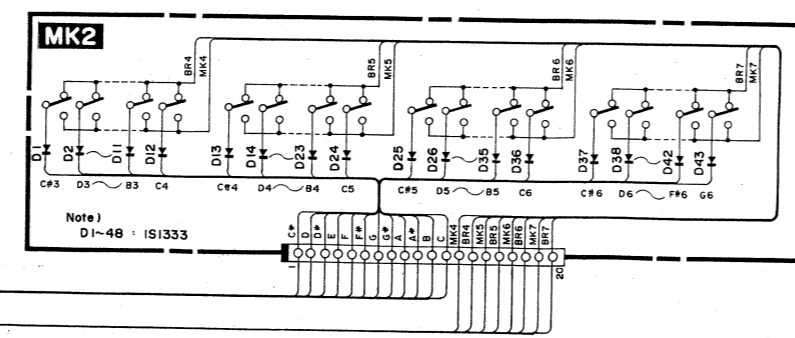
- Notes
- IC1,4,5,7 : NJM4558D
  - 2,3,6 : NJM2041D
  - Tr1 : 2SK30ATM-Y
  - 3-5 : 2SC1571F
  - D6,7 : RD5,1EB2
  - 8 : 1S1885
  - 9 : RD6EB3
  - D1-5 : GLSPR24
  - CAP : MCD527-L/NS



- 600) D13, 14 : 1S1555  
 3100) X1 : 4MHz  
 200) F1 : DSS310  
 100) X00  
 800)



- Note)  
 D1-33 : 1S1333



- Note)  
 D1-48 : 1S1333

# YAMAHA

## CP80D, CP80M

## CP70D, CP70M

## CP60M

# PARTS LIST

### ■ CONTENTS(目次)

#### ● CP80D, CP80M, CP70D, CP70M

1. Harp Section (上本体) .....	1
2. Keyboard Section (下本体) .....	3
3. Covers (蓋) .....	5
4. Pedal, Leg (ペダル、脚) .....	7
5. Pedal Lever, Rod (ペダルレバー、ロッド) .....	9
6. Damper Assembly (ダンパー Ass'y) .....	11
7. Hammer Assembly, Whippen Assembly (ハンマー、サポート Ass'y) .....	14
8. Key Assemblies (鍵盤 Ass'y) .....	16
9. Strings (巻線、芯線仕様) .....	19

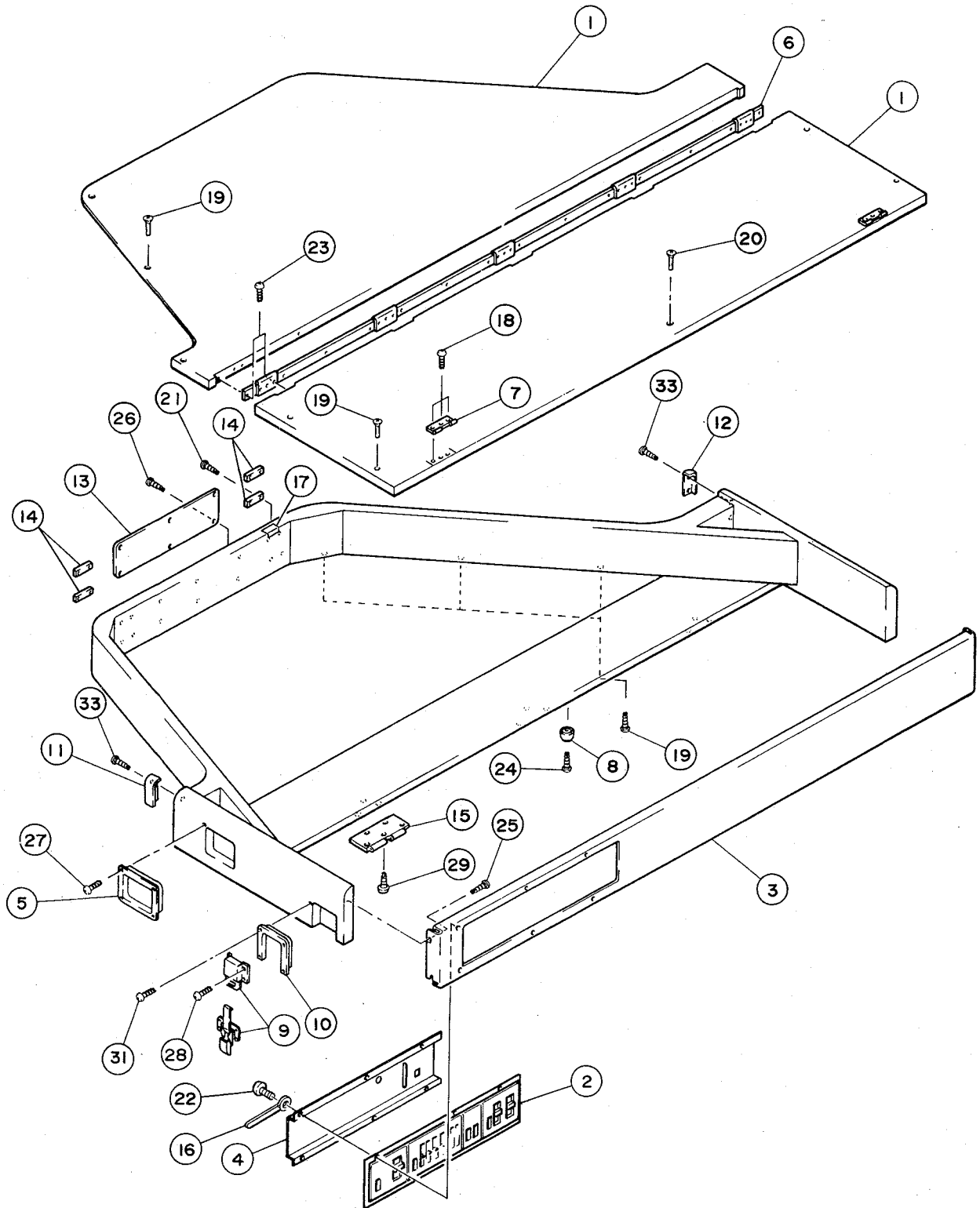
#### ● CP60M

10. Cabinet (総組立) .....	23
11. Pedal Assembly (ペダル Ass'y) .....	26
12. Action (アクション) .....	27
13. Key Assemblies (鍵盤 Ass'y) .....	29
14. Pickups, Tuning Pins (ピックアップとフレーム) .....	31
15. Strings (巻線、芯線仕様) .....	32

#### ● CP80D, CP80M, CP70D, CP70M, CP60M

16. Control Panel Assembly (操作パネル Ass'y) .....	34
17. Left Panel & MIDI OUT Panel Assemblies (左パネル、MIDI OUT パネル Ass'y) .....	35
18. MIDI Assembly (MIDI Ass'y) .....	37
19. MIDI Switch Panel Assembly (MIDI スイッチパネル Ass'y) .....	38
20. Electrical Parts (電気部品) .....	39

1. Harp Section (上本体)

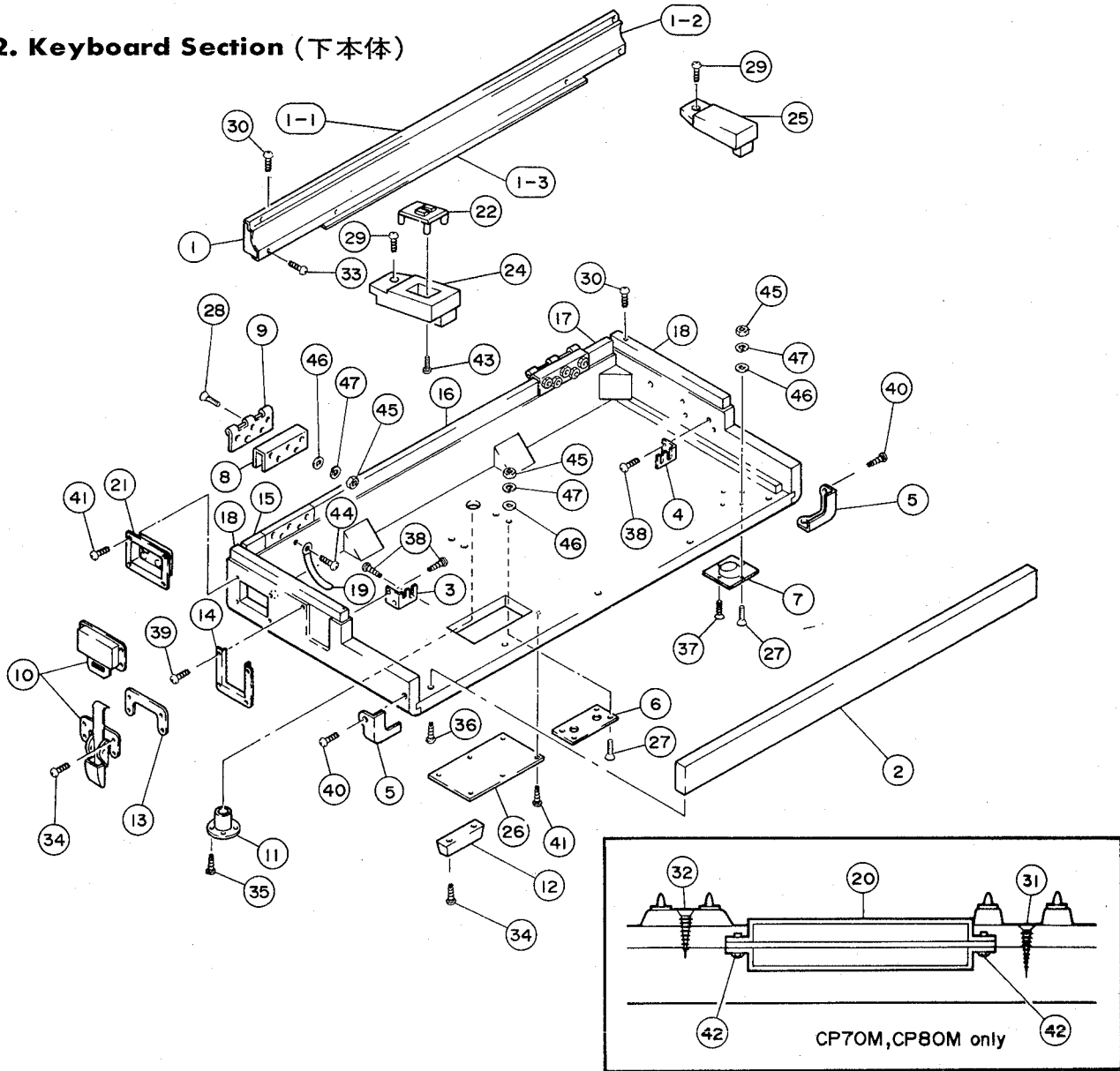


Ref. No.	Part No.	Description	品 名		Remarks	ランク
※ 1	DA 50 07 60	Top Lid Assembly	3003750008020	屋 根 集 成	CP70D,M	36
※ "	DA 50 06 90	"	3003850008020	"	CP80D,M	38
2		Control Panel Assembly		操 作 パ ネ ル Ass'y	Refer to page 34	
※ 3	AA 50 27 00	Front Board		前 板	CP70D,M	13
※ "	AA 50 27 10	"		"	CP80D,M	13
※ 4	CA 50 04 70	Shield Cover		保 護 カ バ ー		03
5		Left Panel Assembly		左 パ ネ ル Ass'y	Refer to page 35	
※ 6	AA 50 25 60	Hinge	3003001000217	ロ ン グ ヒ ン ジ	CP70D,M	13
※ "	AA 50 25 70	"	3003001000218	"	CP80D,M	15
7	AA 50 16 50	Top Hing(Female)		中 開 蝶 番(メス)		05
8	CB 07 59 00	Foot		脚	CP80D,M	
9	AA 50 15 90	Latch(Set)		ス ー パ ー ク ラ ン プ		10
10	CX 50 00 20	Latch Cover	3003006700016	ク ラ ン プ カ バ ー(1)		02
11	AA 50 11 80	Metal Corner(2L)	3003001000020	コ ー ナ ー 金 具(2L)		03
12	AA 50 15 10	" (2R)		" (2R)		03
※ 13	CB 50 19 20	Name Plate	3003001000202	ネ ー ム プ レ ー ト		06
※ 14	CB 50 20 40	Foot	3003001000250	滑 り 具		02
※ 15	AA 50 26 10	Dissection Hinge(Male)	3003001000206	解 体 式 蝶 番(オス)		03
※ 16	CB 50 20 30	Tie Wrapper	S-75B	束 線 止 め		01
※ 17	BB 50 01 80	Ground Metal		ア ー ス 金 具		01
18	EF 33 02 56	Oval Head Screw	M3×25	Bl 丸 皿 小 ネ ジ		01
19	EF 35 02 52	"	M5×25	Bl "		01
20	EF 35 03 02	"	M5×30	Bl "		01
21	EP 33 51 66	Flat Head Wood Screw	3.5×16	Bl 皿 木 ネ ジ		01
22	Ei 03 00 86	Bind Tapping Screw	3×8	Bl バ イ ン ド タ ッ ピ ン グ ネ ジ		01
23	EQ 32 71 66	Round Head Wood Screw	2.7×16	Bl 丸 木 ネ ジ		01
24	EQ 33 12 06	"	3.1×20	Bl "		01
25	EH 04 01 48	Truss Tapping Screw	4×14	Ye ト ラ ス タ ッ ピ ン グ ネ ジ		01
26	EH 33 01 60	"	3×16	Bl "		01
27	ER 33 11 36	Oval Head Wood Screw	3.1×13	Bl 丸 皿 木 ネ ジ		01
28	ER 33 51 66	"	3.5×16	Bl "		01
※ 29	ER 34 52 56	"	4.5×25	Bl "		01

※ : New Parts NR

ランク: Japan only

2. Keyboard Section (下本体)



Ref. No.	Part No.	Description	品名	Remarks	ランク
※ 1	NB 50 67 90	Upstop Rail	鍵盤押え	CP70D,M	17
※ "	NB 50 67 80	"	"	CP80D,M	18
※ 1-1	BA 50 04 00	Upstop Rail Sash	鍵盤押え飾り	CP70D,M	10
※ "	BA 50 04 60	"	"	CP80D,M	10
※ 1-2	AA 50 26 70	Upstop Rail Cover	鍵盤押え化粧	CP70D,M	09
※ "	AA 50 25 80	"	"	CP80D,M	09
※ 1-3	CC 01 40 80	Felt	フェルト	CP70D,M	02
※ "	CC 01 66 30	"	"	CP80D,M	02
※ 2	DX 50 06 00	Keyslip	口棒	CP70D,M	09
※ "	DB 50 41 20	"	"	CP80D,M	09
3	AA 50 11 40	Upstop Rail Holder(L)	鍵盤押え取付金具(左)		02
4	AA 50 14 90	" (R)	" (右)		02
5	AA 50 11 70	Metal Corner(l)	コーナー金具(1)		03
6	AA 50 12 00	Leg Brace Plate	脚ステイ取付座板	CP70D,M	05
"	AA 50 21 70	"	"	CP80D,M	05

※ : New Parts NR

ランク: Japan only

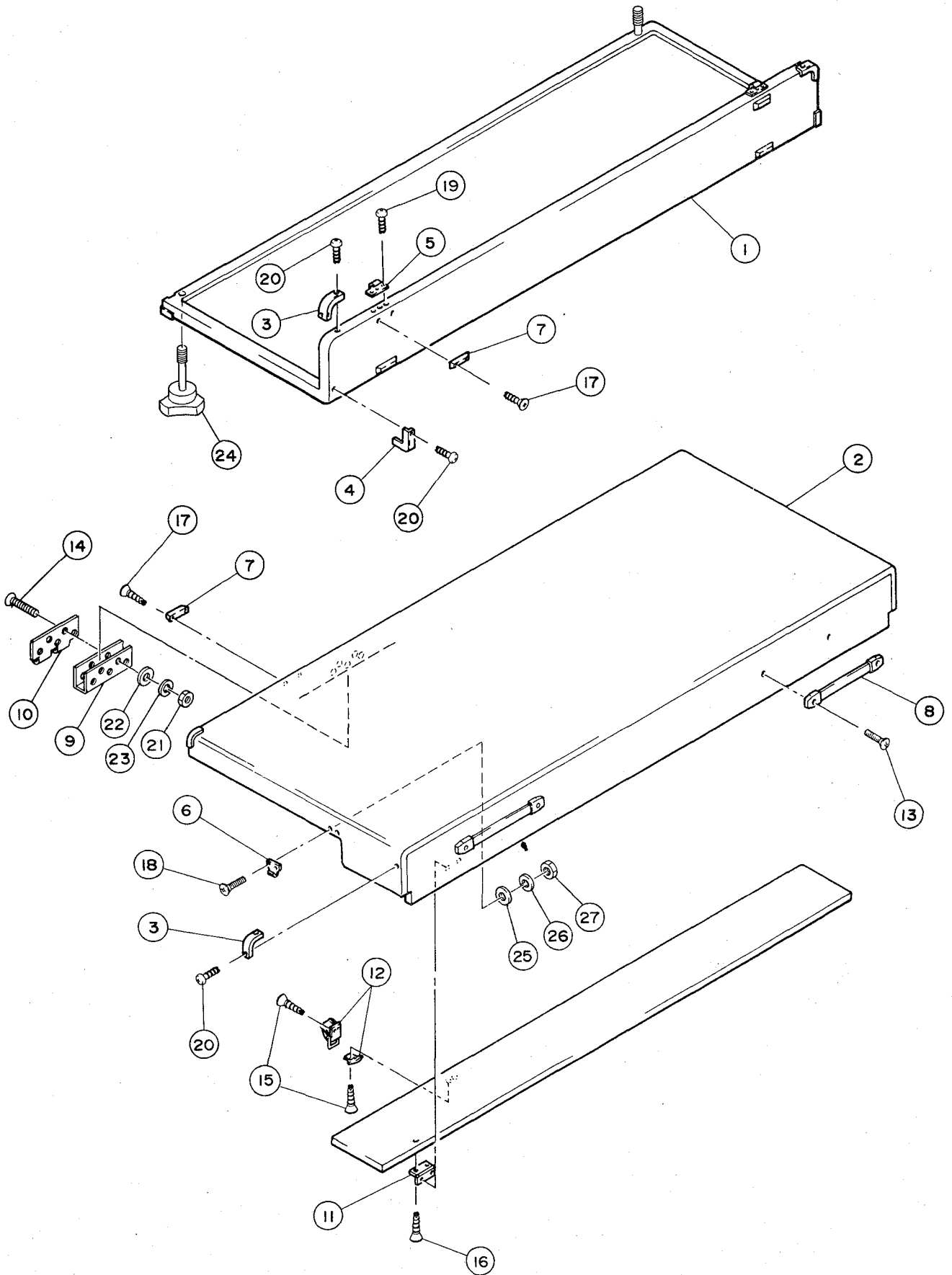
Ref. No.	Part No.	Description	品名	Remarks	ランク
※ 7	AA 50 12 30	Leg Anchor Plate	3003001000029	脚パイプ取付座板	08
※ 8	AA 50 25 90	Hinge Reinforcement	3003001000205	蝶番補強金具	03
※ 9	AA 50 26 20	Dissection Hing(Female)	3003001000207	解体式蝶番(メス)	05
※ 10	AA 50 15 90	Latch(Set)		スーパークランプ	10
※ 11	AX 50 02 70	Pedal Rod Guide	3003001000252	突上棒ガイド	08
※ 12	CB 50 20 40	Foot	3003001000250	滑り昇	02
※ 13	CB 50 13 30	Latch Spacer	3003001900001	クランプスペーサー	01
※ 14	CX 50 00 20	Latch Cover(I)	3003006700016	クランプカバー(Ⅰ)	02
※ 15	BA 50 04 10	Rear Board Sash 1	3003001000238	後板飾り 1	CP70D,M
※ "	BA 50 04 30	"	3003001000237	"	CP80D,M
※ 16	BA 50 04 20	Rear Board Sash 2	3003001000235	後板飾り 2	CP70D,M
※ "	BA 50 04 50	"	3003001000239	"	CP80D,M
※ 17	BA 50 04 10	Rear Board Sash 1	3003001000238	後板飾り 1	CP70D,M
※ "	BA 50 04 40	Rear Board Sash 3	3003001000243	後板飾り 3	CP80D,M
※ 18	BA 50 03 90	Side Board Sash	3003001000234	側板飾り	08
※ 19	CB 50 08 40	Tie Wrapper	3003009500001	コード止めバンド	02
20		MIDI Assembly		M I D I Ass'y	CP70M,80M Refer to page 37
21		MIDI Out Panel Assembly		MIDI OUTパネル Ass'y	CP70M,80M Refer to page 35
22		MIDI Switch Panel Assembly		MIDI SWパネル Ass'y	CP70M,80M Refer to page 38
※ 23	DA 50 07 10	Lower Case Assembly	3003750008391	下ケース Ass'y	CP70D
※ "	DX 50 06 20	"	3003770008391	"	CP70M
※ "	DA 50 06 40	"	3003850008391	"	CP80D
※ "	DX 50 06 10	"	3003880008391	"	CP80M
※ 24	DX 50 06 90	End Block Left		拍子木 左	CP70D
※ "	DX 50 07 00	"		"	CP70M
※ "	DX 50 06 70	"		"	CP80D
※ "	DX 50 06 80	"		"	CP80M
※ 25	DX 50 07 20	End Block Right		拍子木 右	CP70D,70M
※ "	DX 50 07 10	"		"	CP80D,80M
※ 26	AX 50 04 20	Cover	3003001000325	棚板保護カバー	CP70M,80M
27	EB 35 02 36	Flat Head Screw	M5×23	Bl 皿小ネジ	01
28	EF 35 03 52	Oval Head Screw	M5×35	Bl 丸皿小ネジ	01
※ 29	EP 16 26 36	Flat Head Wood Screw	6.2×63	Ni 皿木ネジ	01
30	EP 22 41 06	"	2.4×10	Cr "	01
31	EP 03 52 56	"	3.5×25	Ye "	01
32	EP 03 54 06	"	3.5×40	Ye "	01
33	EP 32 41 36	"	2.4×13	Bl "	01
34	EP 33 51 66	"	3.5×16	Bl "	01
35	EP 33 52 06	"	3.5×20	Bl "	01
※ 36	EP 34 55 60	"	4.5×56	Bl "	01
37	EP 35 13 22	"	5.1×32	Bl "	Rear only
38	EQ 03 51 66	Round Head Wood Screw	3.5×16	Ye 丸木ネジ	01
39	EH 33 01 60	Truss Tapping Screw	3×16	Bl トラストッピングネジ	01
40	ER 33 51 66	Oval Head Wood Screw	3.5×16	Bl 丸皿木ネジ	01
41	ER 33 11 36	"	3.1×13	Bl "	01
42	Ei 03 51 26	Bind Tapping Screw	3.5×12	Ye バインドタッピングネジ	01
※ 43	Ei 03 02 56	"	3×25	Ye "	01
44	EP 13 11 66	Flat Head Wood Screw	3.1×16	Ni 皿木ネジ	01
45	EV 10 00 56	Hexagonal Nut	M5	Ye 六角ナット	01
46	EV 20 00 56	Flat Washer	5S	Ye 平座金	01
47	EV 30 00 50	Spring Lock Washer	5S	Ye バネ座金	01

※ : New Parts NR

ランク: Japan only

CP80D, CP80M  
CP70D, CP70M

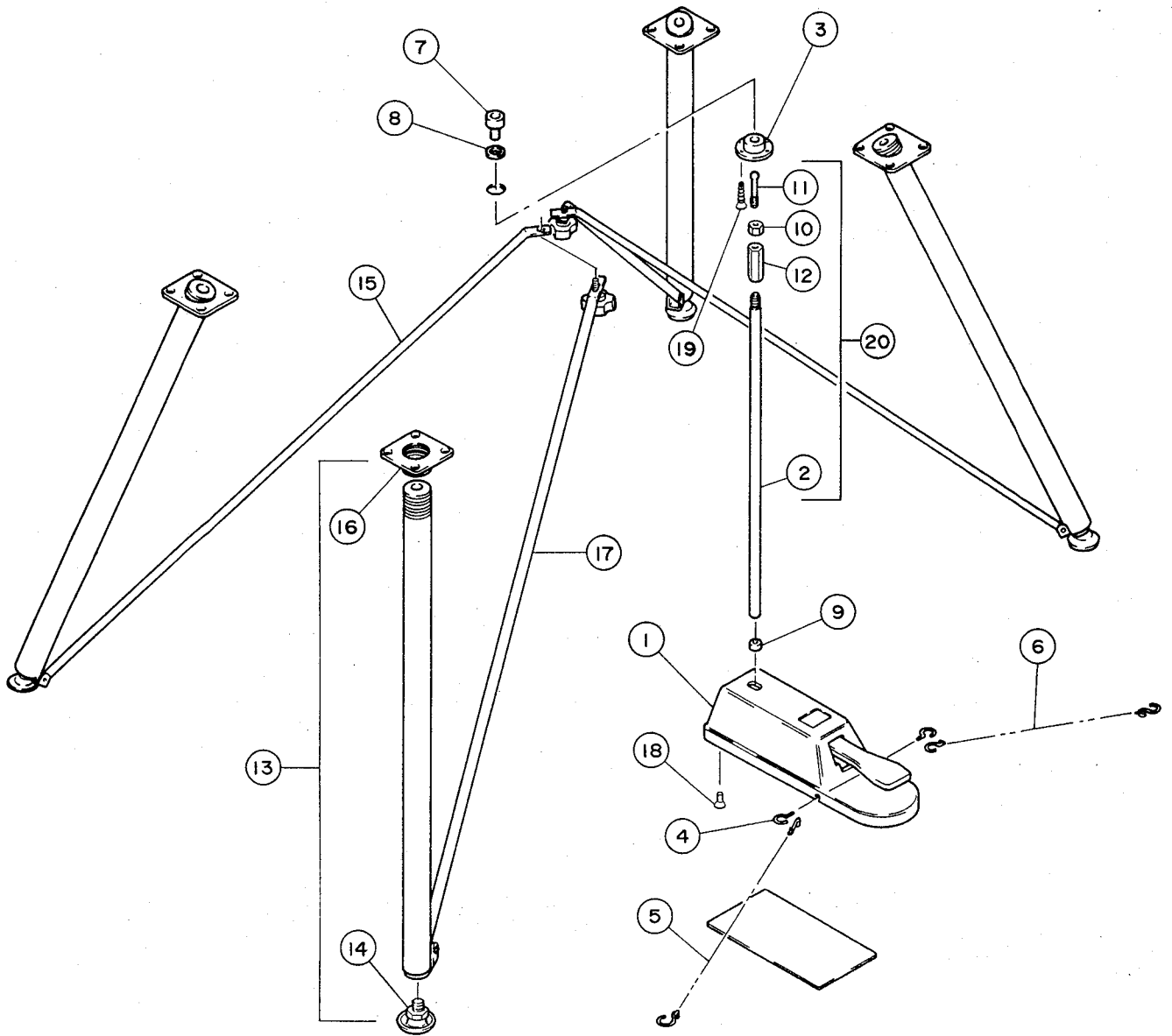
3. Cover (蓋)







4. Pedal, Legs (ペダル、脚)

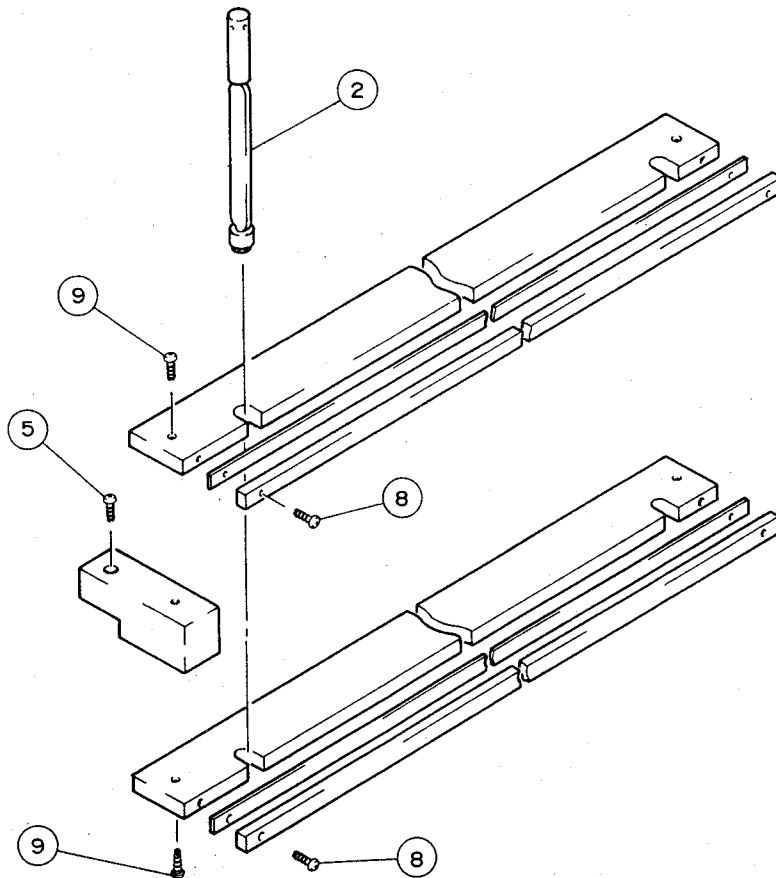
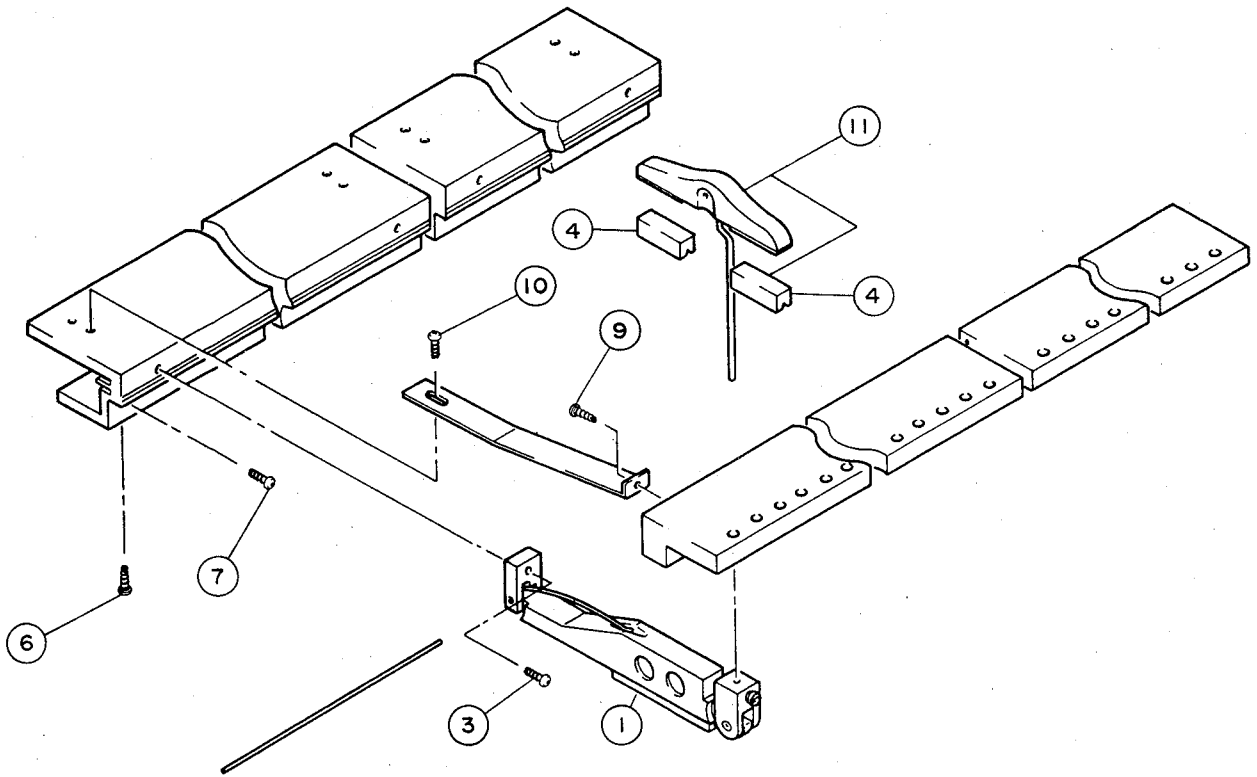











6. Damper Assembly (ダンパー Ass'y)



Ref. No.	Part No.	Description	品 名		Remarks	ランク
			CP70D,M	CP80D,M		
※ 1	NX 50 79 20	Damper Lever Assembly	1E~15F#	1A~22F#	ダンパーレバー Ass'y	04
※ "	NX 50 79 30	"	16G~25E	23G~32E	"	04
※ "	NX 50 79 40	"	26F~65G#	33F~73A	"	04
※ 2	NX 50 78 70	Damper Lift Assembly			ダンパー突上 Ass'y	03
3	AA 97 02 50	Damper Lever Screw			ダンパーレバースクリュー	01
4	CC 90 00 30	Damper Felt			ダンパーフェルト	06
"	CC 90 00 40	"			"	05
"	CC 90 00 50	"			"	05
5	EP 03 53 26	Flat Head Wood Screw	3.5×32	Ye	皿 木 ネ ジ	01
6	EP 04 12 56	"	4.1×25	Ye	"	01
7	EP 04 14 06	"	4.1×40	Ye	"	01
8	EQ 02 71 36	Round Head Wood Screw	2.7×13	Ye	丸 木 ネ ジ	01
9	EQ 03 11 36	"	3.1×13	Ye	"	01
10	EQ 03 51 36	"	3.5×13	Ye	"	01
※ 11	NX 50 46 10	NX 50 61 10	Damper Head Ass'y	Key # 1	ダンパーヘッド Ass'y	05
※ "	NX 50 46 20	NX 50 61 20	"	Key # 2	"	05
※ "	NX 50 46 30	NX 50 61 30	"	Key # 3	"	05
※ "	NX 50 46 40	NX 50 61 40	"	Key # 4	"	05
※ "	NX 50 46 50	NX 50 61 50	"	Key # 5	"	05
※ "	NX 50 46 60	NX 50 61 60	"	Key # 6	"	05
※ "	NX 50 46 70	NX 50 61 70	"	Key # 7	"	05
※ "	NX 50 46 80	NX 50 61 80	"	Key # 8	"	05
※ "	NX 50 46 90	NX 50 61 90	"	Key # 9	"	05
※ "	NX 50 47 00	NX 50 62 00	"	Key # 10	"	05
※ "	NX 50 47 10	NX 50 62 10	"	Key # 11	"	05
※ "	NX 50 47 20	NX 50 62 20	"	Key # 12	"	05
※ "	NX 50 47 30	NX 50 62 30	"	Key # 13	"	05
※ "	NX 50 47 40	NX 50 62 40	"	Key # 14	"	05
※ "	NX 50 47 50	NX 50 62 50	"	Key # 15	"	05
※ "	NX 50 47 60	NX 50 62 60	"	Key # 16	"	05
※ "	NX 50 47 70	NX 50 62 70	"	Key # 17	"	05
※ "	NX 50 47 80	NX 50 62 80	"	Key # 18	"	05
※ "	NX 50 47 90	NX 50 62 90	"	Key # 19	"	05
※ "	NX 50 48 00	NX 50 63 00	"	Key # 20	"	05
※ "	NX 50 48 10	NX 50 63 10	"	Key # 21	"	05
※ "	NX 50 48 20	NX 50 63 20	"	Key # 22	"	05
※ "	NX 50 48 30	NX 50 63 30	"	Key # 23	"	05
※ "	NX 50 48 40	NX 50 63 40	"	Key # 24	"	05
※ "	NX 50 48 50	NX 50 63 50	"	Key # 25	"	05
※ "	NX 50 48 60	NX 50 63 60	"	Key # 26	"	05
※ "	NX 50 48 70	NX 50 63 70	"	Key # 27	"	05
※ "	NX 50 48 80	NX 50 63 80	"	Key # 28	"	05
※ "	NX 50 48 90	NX 50 63 90	"	Key # 29	"	05
※ "	NX 50 49 00	NX 50 64 00	"	Key # 30	"	05
※ "	NX 50 49 10	NX 50 64 10	"	Key # 31	"	05
※ "	NX 50 49 20	NX 50 64 20	"	Key # 32	"	05
※ "	NX 50 49 30	NX 50 64 30	"	Key # 33	"	05
※ "	NX 50 49 40	NX 50 64 40	"	Key # 34	"	05
※ "	NX 50 49 50	NX 50 64 50	"	Key # 35	"	05

※ : New Parts NR

ランク: Japan only

**CP80D,CP80M**  
**CP70D,CP70M**

Ref. No.	Part No.		Description		品名	Remarks	ランク
	CP70D,CP70M	CP80D,CP80M					
※ 11	NX 50 49 60	NX 50 64 60	Damper Head Ass'y	Key # 36	ダンパーヘッド Ass'y		05
※ "	NX 50 49 70	NX 50 64 70	"	Key # 37	"		05
※ "	NX 50 49 80	NX 50 64 80	"	Key # 38	"		05
※ "	NX 50 49 90	NX 50 64 90	"	Key # 39	"		05
※ "	NX 50 50 00	NX 50 65 00	"	Key # 40	"		05
※ "	NX 50 50 10	NX 50 65 10	"	Key # 41	"		05
※ "	NX 50 50 20	NX 50 65 20	"	Key # 42	"		05
※ "	NX 50 50 30	NX 50 65 30	"	Key # 43	"		05
※ "	NX 50 50 40	NX 50 65 40	"	Key # 44	"		05
※ "	NX 50 50 50	NX 50 65 50	"	Key # 45	"		05
※ "	NX 50 50 60	NX 50 65 60	"	Key # 46	"		05
※ "	NX 50 50 70	NX 50 65 70	"	Key # 47	"		05
※ "	NX 50 50 80	NX 50 65 80	"	Key # 48	"		05
※ "	NX 50 50 90	NX 50 65 90	"	Key # 49	"		05
※ "	NX 50 51 00	NX 50 66 00	"	Key # 50	"		05
※ "	NX 50 51 10	NX 50 66 10	"	Key # 51	"		05
※ "	NX 50 51 20	NX 50 66 20	"	Key # 52	"		05
※ "	NX 50 51 30	NX 50 66 30	"	Key # 53	"		05
※ "	NX 50 51 40	NX 50 66 40	"	Key # 54	"		05
※ "	NX 50 51 50	NX 50 66 50	"	Key # 55	"		05
※ "	NX 50 51 60	NX 50 66 60	"	Key # 56	"		05
※ "	NX 50 51 70	NX 50 66 70	"	Key # 57	"		05
※ "	NX 50 51 80	NX 50 66 80	"	Key # 58	"		05
※ "	NX 50 51 90	NX 50 66 90	"	Key # 59	"		05
※ "	NX 50 52 00	NX 50 67 00	"	Key # 60	"		05
※ "	NX 50 52 10	NX 50 67 10	"	Key # 61	"		05
※ "	NX 50 52 20	NX 50 67 20	"	Key # 62	"		05
※ "	NX 50 52 30	NX 50 67 30	"	Key # 63	"		05
※ "	NX 50 52 40	NX 50 67 40	"	Key # 64	"		05
※ "	NX 50 52 50	NX 50 67 50	"	Key # 65	"		05
※ "		NX 50 67 60	"	Key # 66	"		05
※ "		NX 50 67 70	"	Key # 67	"		05
※ "		NX 50 67 80	"	Key # 68	"		05
※ "		NX 50 67 90	"	Key # 69	"		05
※ "		NX 50 68 00	"	Key # 70	"		05
※ "		NX 50 68 10	"	Key # 71	"		05
※ "		NX 50 68 20	"	Key # 72	"		05
※ "		NX 50 68 30	"	Key # 73	"		05

※ : New Parts NR

ランク: Japan only

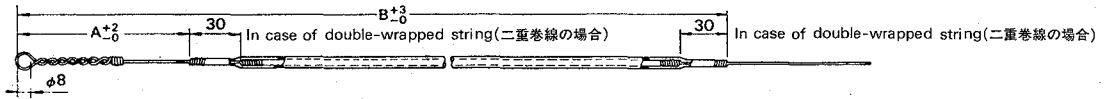


Ref. No.	Part No.	Description	品名	Remarks	ランク	
	CP70D,CP70M	CP80D,CP80M				
※	NX 50 57 30	NX 50 73 30	Key Assembly	Key # 43	鍵 Ass'y	18
※	NX 50 57 40	NX 50 73 40	"	Key # 44	"	18
※	NX 50 57 50	NX 50 73 50	"	Key # 45	"	18
※	NX 50 57 60	NX 50 73 60	"	Key # 46	"	18
※	NX 50 57 70	NX 50 73 70	"	Key # 47	"	18
※	NX 50 57 80	NX 50 73 80	"	Key # 48	"	18
※	NX 50 57 90	NX 50 73 90	"	Key # 49	"	18
※	NX 50 58 00	NX 50 74 00	"	Key # 50	"	18
※	NX 50 58 10	NX 50 74 10	"	Key # 51	"	18
※	NX 50 58 20	NX 50 74 20	"	Key # 52	"	18
※	NX 50 58 30	NX 50 74 30	"	Key # 53	"	18
※	NX 50 58 40	NX 50 74 40	"	Key # 54	"	18
※	NX 50 58 50	NX 50 74 50	"	Key # 55	"	18
※	NX 50 58 60	NX 50 74 60	"	Key # 56	"	18
※	NX 50 58 70	NX 50 74 70	"	Key # 57	"	18
※	NX 50 58 80	NX 50 74 80	"	Key # 58	"	18
※	NX 50 58 90	NX 50 74 90	"	Key # 59	"	18
※	NX 50 59 00	NX 50 75 00	"	Key # 60	"	18
※	NX 50 59 10	NX 50 75 10	"	Key # 61	"	18
※	NX 50 59 20	NX 50 75 20	"	Key # 62	"	18
※	NX 50 59 30	NX 50 75 30	"	Key # 63	"	18
※	NX 50 59 40	NX 50 75 40	"	Key # 64	"	18
※	NX 50 59 50	NX 50 75 50	"	Key # 65	"	18
※	NX 50 59 60	NX 50 75 60	"	Key # 66	"	18
※	NX 50 59 70	NX 50 75 70	"	Key # 67	"	18
※	NX 50 59 80	NX 50 75 80	"	Key # 68	"	18
※	NX 50 59 90	NX 50 75 90	"	Key # 69	"	18
※	NX 50 60 00	NX 50 76 00	"	Key # 70	"	18
※	NX 50 60 10	NX 50 76 10	"	Key # 71	"	18
※	NX 50 60 20	NX 50 76 20	"	Key # 72	"	18
※	NX 50 60 30	NX 50 76 30	"	Key # 73	"	18
※		NX 50 76 40	"	Key # 74	"	18
※		NX 50 76 50	"	Key # 75	"	18
※		NX 50 76 60	"	Key # 76	"	18
※		NX 50 76 70	"	Key # 77	"	18
※		NX 50 76 80	"	Key # 78	"	18
※		NX 50 76 90	"	Key # 79	"	18
※		NX 50 77 00	"	Key # 80	"	18
※		NX 50 77 10	"	Key # 81	"	18
※		NX 50 77 20	"	Key # 82	"	18
※		NX 50 77 30	"	Key # 83	"	18
※		NX 50 77 40	"	Key # 84	"	18
※		NX 50 77 50	"	Key # 85	"	18
※		NX 50 77 60	"	Key # 86	"	18
※		NX 50 77 70	"	Key # 87	"	18
※		NX 50 77 80	"	Key # 88	"	18

※ : New Parts NR

ランク: Japan only

9. Strings (巻線、芯線仕様一覧表)



■ CP80D,CP80M

Key No.	Bass String No.	Core Wire Gauge (芯線)	Diameter (線径) (mm)		A+2 -0 (mm)	B+3 -0 (mm)	Part No.	ランク
			Copper Wire, Lower (巻線下)	Copper Wire, Upper (巻線上)				
1	1	#25.0	1.05	1.85	65.0	803.0	NB 50 47 20	05
2	2	#25.0	1.05	1.85	64.9	801.7	NB 50 47 30	05
3	3	#25.0	1.05	1.85	64.8	800.4	NB 50 47 40	05
4	4	#25.0	1.00	1.85	64.7	799.1	NB 50 47 50	05
5	5	#24.0	0.95	1.80	64.6	797.8	NB 50 47 60	05
6	6	#24.0	0.85	1.75	64.5	796.5	NB 50 47 70	05
7	7	#23.0	0.80	1.70	64.4	795.2	NB 50 47 80	05
8	8	#23.0	0.75	1.60	64.3	793.9	NB 50 47 90	05
9	9	#23.0	0.65	1.55	64.2	792.6	NB 50 48 00	05
10	10	#22.0	0.60	1.50	64.1	791.3	NB 50 48 10	05
11	11	#21.0	0.55	1.45	64.0	790.0	NB 50 48 20	05
12	12	#20.0	0.50	1.40	63.9	788.7	NB 50 48 30	05
13	13	#20.0	0.45	1.35	63.8	787.4	NB 50 48 40	05
14	14	#19.0	0.40	1.30	63.7	786.1	NB 50 48 50	05
15	15	#19.0	0.35	1.25	63.6	784.8	NB 50 48 60	05
16	16	#19.0	0.35	1.15	63.5	783.5	NB 50 48 70	05
17	17	#19.0	1.40		63.4	782.2	NB 50 48 80	05
18	18	#19.0	1.30		63.3	780.9	NB 50 48 90	05
19	19	#18.0	1.25		63.2	779.6	NB 50 49 00	04
20	20	#18.0	1.15		63.1	778.3	NB 50 49 10	04
21	21	#17.5	1.10		63.0	777.0	NB 50 49 20	04
22	22	#17.5	1.00		63.0	775.7	NB 50 49 30	04
23L	23	#16	0.80		63.0	765.4	NB 50 49 40	04
23R	24	#16	0.80		68.0	770.4	NB 50 49 50	04
24L	25	#16	0.75		63.0	754.7	NB 50 49 60	04
24R	26	#16	0.75		68.0	759.7	NB 50 49 70	04
25L	27	#16	0.70		63.0	744.0	NB 50 49 80	04
25R	28	#16	0.70		68.0	749.0	NB 50 49 90	04
26L	29	#16	0.65		63.0	733.3	NB 50 50 00	04
26R	30	#16	0.65		68.0	738.3	NB 50 50 10	04
27L	31	#16	0.60		63.0	722.6	NB 50 50 20	04
27R	32	#16	0.60		68.0	727.6	NB 50 50 30	04
28L	33	#16	0.55		63.0	711.9	NB 50 50 40	04
28R	34	#16	0.55		68.0	716.9	NB 50 50 50	04
29L	35	#15.5	0.50		63.0	701.2	NB 50 50 60	04
29R	36	#15.5	0.50		68.0	706.2	NB 50 50 70	04
30L	37	#15.5	0.45		63.0	690.5	NB 50 50 80	04
30R	38	#15.5	0.45		68.0	695.5	NB 50 50 90	04
31L	39	#15.5	0.40		63.0	679.8	NB 50 51 00	04
31R	40	#15.5	0.40		68.0	684.8	NB 50 51 10	04
32L	41	#15.5	0.40		63.0	669.1	NB 50 51 20	04
32R	42	#15.5	0.40		68.0	674.1	NB 50 51 30	04
33L	43	#15.5	0.40		58.0	645.0	NB 50 51 40	04
33R	44	#15.5	0.40		53.0	640.0	NB 50 51 50	04
34L	45	#15	0.35		63.0	633.0	NB 50 51 60	04
34R	46	#15	0.35		58.0	628.0	NB 50 51 70	04
35L	47	#15	0.35		63.0	618.0	NB 50 51 80	04
35R	48	#15	0.35		58.0	613.0	NB 50 51 90	04
36L	49	#15	0.35		63.0	602.0	NB 50 52 00	04
36R	50	#15	0.35		58.0	597.0	NB 50 52 10	04
37L	51	#15	0.30		63.0	585.0	NB 50 52 20	04
37R	52	#15	0.30		58.0	580.0	NB 50 52 30	04

※ New Parts NR

ランク : Japan only



CP80D, CP80M

CP70D, CP70M

■ CP70D, CP70M

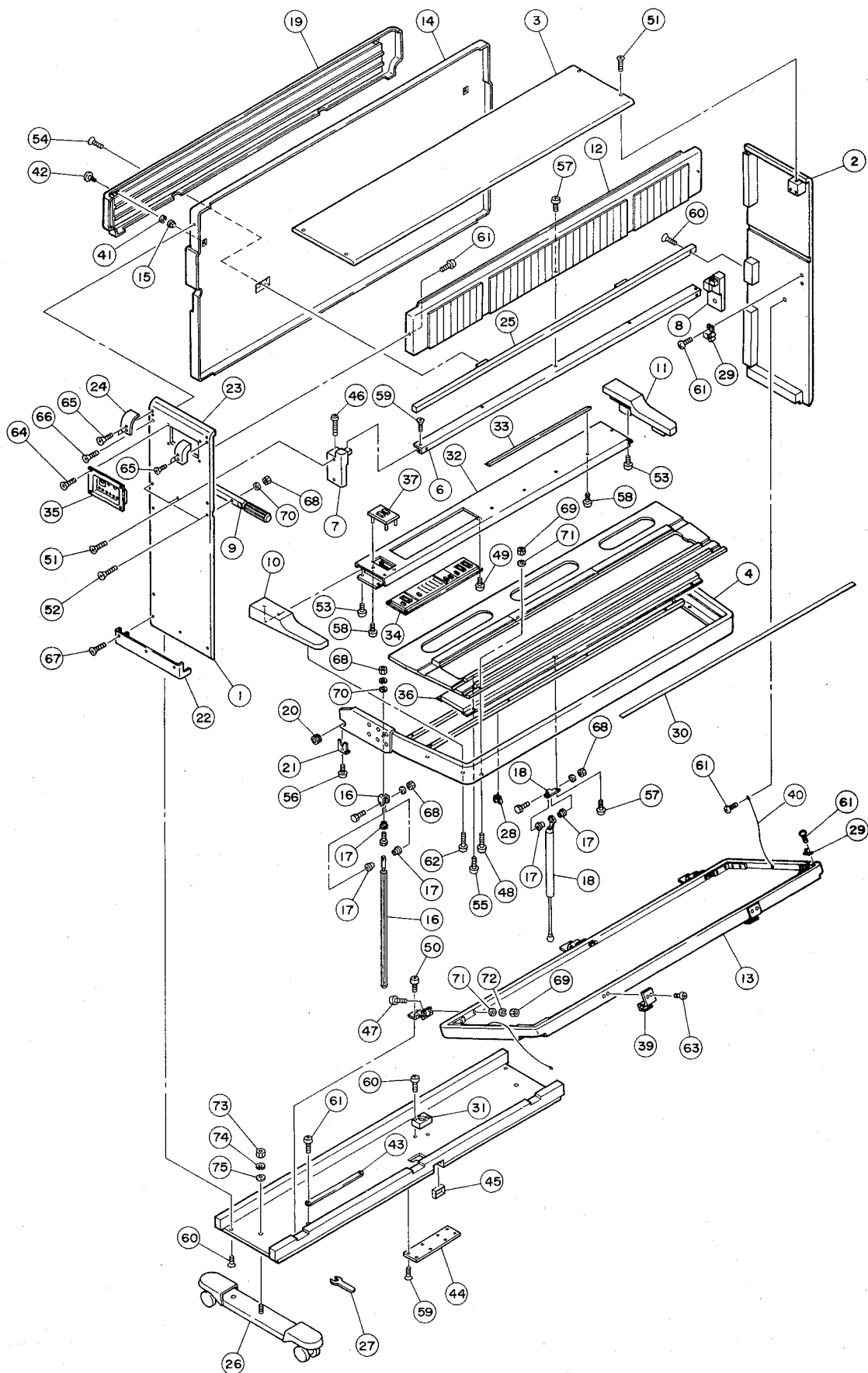
Key No.	Bass String No.	Core Wire Gauge (芯線)	Diameter (線径) (mm)		A +2 -0 (mm)	B +3 -0 (mm)	Part No.	ランク
			Copper Wire, Lower (巻線下)	Copper Wire, Upper (巻線上)				
1	1	#22	0.60	1.55	69.0	739.0	NB 50 40 30	03
2	2	#22	0.60	1.50	69.0	736.0	NB 50 40 40	03
3	3	#22	0.50	1.50	69.0	734.0	NB 50 40 50	03
4	4	#21	0.50	1.45	69.0	732.0	NB 50 40 60	03
5	5	#21	0.45	1.40	69.0	730.0	NB 50 40 70	03
6	6	#20	0.45	1.35	69.0	727.0	NB 50 40 80	03
7	7	#20	0.40	1.30	69.0	726.0	NB 50 40 90	03
8	8	#19	0.35	1.25	69.0	723.0	NB 50 41 00	03
9	9	#19	1.45		69.0	721.0	NB 50 41 10	03
10	10	#18	1.40		69.0	719.0	NB 50 41 20	03
11	11	#18	1.35		69.0	717.0	NB 50 41 30	03
12	12	#17.5	1.30		69.0	715.0	NB 50 41 40	03
13	13	#17.5	1.25		69.0	713.0	NB 50 41 50	03
14	14	#17	1.20		69.0	712.0	NB 50 41 60	03
15	15	#17	1.15		69.0	710.0	NB 50 41 70	03
16L	16	#16	0.90		65.4	708.0	NB 50 41 80	03
16R	17	#16	0.90		69.5	709.0	NB 50 41 90	03
17L	18	#16	0.80		66.0	707.0	NB 50 42 00	03
17R	19	#16	0.80		69.2	706.0	NB 50 42 10	03
18L	20	#16	0.75		65.5	701.0	NB 50 42 20	03
18R	21	#16	0.75		69.5	702.0	NB 50 42 30	03
19L	22	#16	0.70		65.8	696.0	NB 50 42 40	03
19R	23	#16	0.70		69.8	696.0	NB 50 42 50	03
20L	24	#15.5	0.65		66.0	687.0	NB 50 42 60	03
20R	25	#15.5	0.65		69.2	687.0	NB 50 42 70	03
21L	26	#15.5	0.60		65.5	676.0	NB 50 42 80	03
21R	27	#15.5	0.60		69.0	677.0	NB 50 42 90	03
22L	28	#15.5	0.55		65.7	666.0	NB 50 43 00	03
22R	29	#15.5	0.55		70.0	667.0	NB 50 43 10	03
23L	30	#15.5	0.50		65.0	654.0	NB 50 43 20	03
23R	31	#15.5	0.50		70.0	656.0	NB 50 43 30	03
24L	32	#15.5	0.45		66.0	645.0	NB 50 43 40	03
24R	33	#15.5	0.45		69.8	646.0	NB 50 43 50	03
25L	34	#15.5	0.45		65.5	635.0	NB 50 43 60	03
25R	35	#15.5	0.45		69.5	636.0	NB 50 43 70	03
26L	36	#15.5	0.55		58.0	565.0	NB 50 43 80	03
26R	37	#15.5	0.55		58.0	565.0	NB 50 43 90	03
27L	38	#15.5	0.50		57.0	561.0	NB 50 44 00	03
27R	39	#15.5	0.50		57.0	561.0	NB 50 44 10	03
28L	40	#15.5	0.45		58.0	557.0	NB 50 44 20	03
28R	41	#15.5	0.45		58.0	557.0	NB 50 44 30	03
29L	42	#15	0.40		58.0	551.0	NB 50 44 40	03
29R	43	#15	0.40		58.0	551.0	NB 50 44 50	03
30L	44	#15	0.35		58.5	543.0	NB 50 44 60	03
30R	45	#15	0.35		58.5	543.0	NB 50 44 70	03
31L	46	#15	0.30		59.0	533.0	NB 50 44 80	03
31R	47	#15	0.30		59.0	533.0	NB 50 44 90	03
32L	48	#15	0.30		59.0	521.0	NB 50 45 00	03
32R	49	#15	0.30		59.0	521.0	NB 50 45 10	03
33L	50	#15	0.26		59.0	508.0	NB 50 45 20	03
33R	51	#15	0.26		59.0	508.0	NB 50 45 30	03
34L	52	#14.5	0.26		58.0	492.0	NB 50 45 40	03

※ New Parts NR

ランク : Japan only



### 10. Cabinet (総組立)



Ref. No.	Part No.	Description	品 名	Remarks	ランク
※ 1	DA 58 40 20	Side Board Assembly (Left)	親 板 Ass'y (左)		29
※ 2	DA 58 40 21	" (Right)	" Ass'y (右)		29
※ 3	DA 58 40 50	Top Board Assembly	屋 根 Ass'y		19
※ 4	DA 58 40 10	Key Bed Assembly	棚 、 腕 木 Ass'y		23
※ 5	NB 08 40 60	Bottom Board Assembly	底 板 Ass'y		21
※ 6	AX 50 04 30	Front Rail	フ ロ ン ト レ ー ル		14
※ 7	DX 50 07 30	Front Rail Block (Left)	フ ロ ン ト レ ー ル 付 木 (左)		04
※ 8	DX 50 07 40	" (Right)	" (右)		04
※ 9	NB 00 28 75	Handle Assembly	ハ ン ド ル Ass'y		10
※ 10	DA 58 40 40	End Block (Left)	拍 子 木 Ass'y (左)		21
※ 11	DA 08 40 41	" (Right)	" (右)		21
※ 12	NB 00 28 10	Front Panel (Upper)	前 パ ネ ル 上 Ass'y		19
※ 13	NB 00 28 25	" (Lower)	" 下 Ass'y		27
※ 14	NB 00 29 50	Rear Panel	後 パ ネ ル Ass'y		29
※ 15	CB 00 28 65	Rubber Bushing	カ バ ー 固 定 ゴ ム		01
※ 16	DB 00 28 85	Arm Stay Assembly	ア ー ム ス テ イ Ass'y		08
※ 17	CB 50 08 20	Bushing	連 絡 管 ブ ッ シ ュ		01
※ 18	NB 00 29 80	Open Stay Assembly	オ ー プ ン ス テ イ Ass'y		13
※ 19	NB 00 29 60	Keyboard Cover	腕 木 カ バ ー Ass'y		18
※ 20	CB 00 29 30	Shaft Bushing	回 転 軸 ブ ッ シ ュ		02
※ 21	AA 00 29 40	Holder	固 定 金 具		02
※ 22	AA 00 29 00	Corner Protector (Lower)	コ ー ナ ー 金 具		08
※ 23	CB 00 29 10	" (Left)	補 強 コ ー ナ ー 金 具 (左)		02
※ 24	CB 00 29 20	" (Right)	" (右)		02
※ 25	DB 06 51 80	Holder	後 パ ネ ル 取 付 機		08
※ 26	NB 00 28 90	Caster Base Assembly	キ ャ ス タ ー ベ ー ス Ass'y		21
※ 27	AA 00 33 10	Wrench	ス パ ナ		02
※ 28	CX 50 02 10	Holder	ア ー ム ス テ イ ホ ル ダ ー		01
※ 29	NX 50 97 70	Roller Catcher Set	ロ ー ラ ー キ ャ ッ チ セ ッ ト		
※ 30	CC 50 02 90	Felt	1×12×1068 鍵 盤 押 え フ ェ ル ト		01
※ 31	DB 06 52 80	Catcher	オ ー プ ン ス テ イ 受 木		04
※ 32	AA 50 29 40	Front Board	前 板		17
※ 33	CB 50 23 40	Stopper	譜 面 止 め		03
※ 34		Control Panel Assembly	操 作 パ ネ ル Ass'y	Refer to page 34	
※ 35		Left Panel Assembly	左 パ ネ ル Ass'y	Refer to page 36	
※ 36		MIDI Assembly	M I D I Ass'y	Refer to page 37	
※ 37		MIDI Switch Panel Assembly	MIDI SWパネル Ass'y	Refer to page 38	
※ 38	AA 00 28 30	Hinge Assembly	蝶 番 Ass'y		04
※ 39	AA 00 28 40	Holder	カ バ ー 受 金 具		04
※ 40	CA 50 04 80	String	3×3×400 ロ ー プ		01
※ 41	EV 50 00 46	Stop Ring	E リ ン グ		01
※ 42	EX 50 00 90	Stand Screw	ス タ ン ド ス ク リ ュ ー		04
※ 43	CB 50 08 40	Cord Stopper	コ ー ド 止 め バ ン ド		02
※ 44	AA 00 28 00	Bottom Plate	底 板 補 強 金 具		04
※ 45	CC 50 02 70	Felt	窓 フ ェ ル ト		02
※ 46	EA 05 03 06	Pan Head Screw	M5×30 Ye ナ ベ 小 ネ ジ		01
※ 47	EA 34 02 56	"	M4×25 Bl "		01
※ 48	EA 34 03 56	"	M4×35 Bl "		01
※ 49	ED 33 00 66	Bind Head Screw	M3×6 Bl バ イ ン ド 小 ネ ジ		01
※ 50	ED 35 01 56	"	M5×15 Bl "		01
※ 51	EF 35 02 52	Oval Head Screw	M5×25 Bl 丸 皿 小 ネ ジ		01
※ 52	EF 35 03 02	"	M5×30 Bl "		01

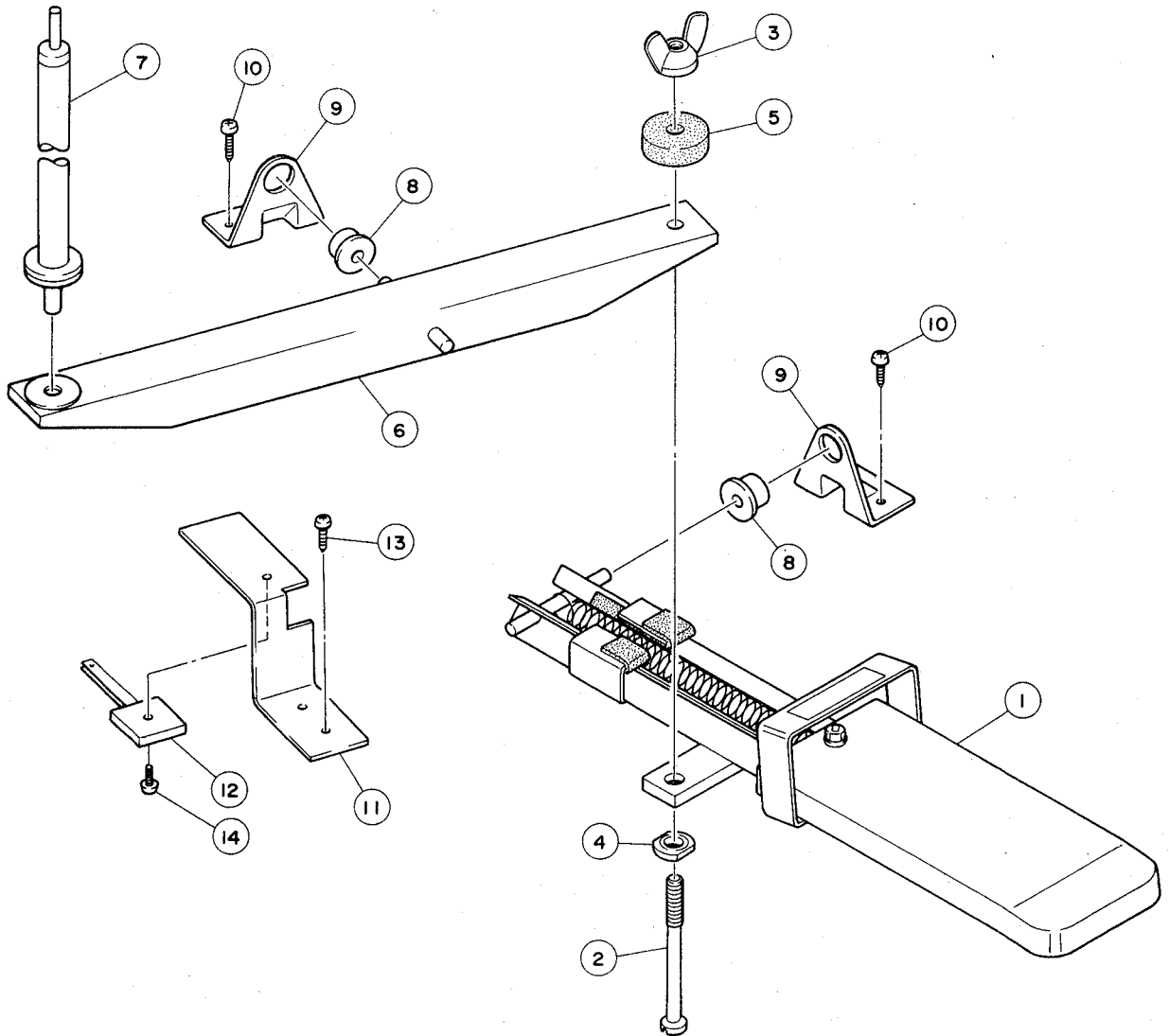
※ : New Parts NR

ランク: Japan only





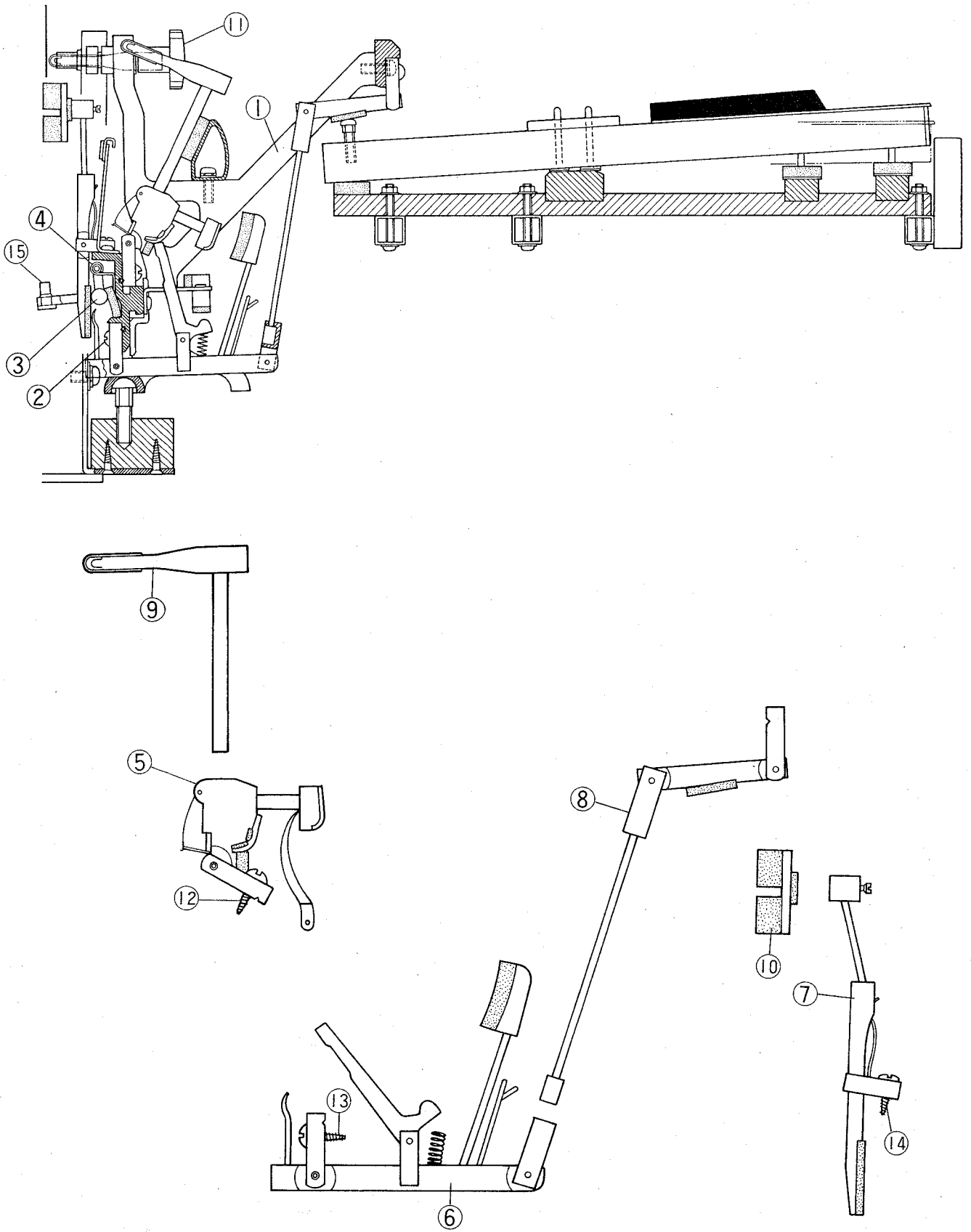
11. Pedal Assembly (ペダル Ass'y)



Ref. No.	Part No.	Description	品名	Remarks	ランク
※ 1	NB 00 26 40	Pedal	ペダル Ass'y		13
※ 2	TO 90 17 01	Bolt	ペダル吊金ボルト		01
※ 3	TO 90 20 00	Nut	ナット		01
※ 4	TO 90 19 29	Bush	ブッシュ		01
※ 5	TO 90 19 09	Panching	ナットパンチング		02
※ 6	NX 50 97 80	Pedal Lever Assembly	ペダルレバー Ass'y		08
※ 7	NX 50 97 90	Pedal Rod Assembly	ペダル突上棒 Ass'y		08
※ 8	TO 90 15 00	Bushing	ペダルメタルブッシュ	(CP-70M)	01
※ 9	TO 90 12 00	Pedal Metal	ペダルメタル	(CP-70M)	01
※ 10	EQ 05 11 66	Round Head Wood Screw	丸木ネジ		01
※ 11	AA 50 29 60	Switch Holder	ダンパーSW取付金具	(CP-70M)	02
※ 12	NB 03 70 50	Tablet Switch	タブレットS.W		03
13	Ei 03 51 26	Bind Tapping Screw	バインドタッピンネジ		01
14	Ei 03 01 66	"	"		01

※ : New Parts NR

12. Action (アクション)

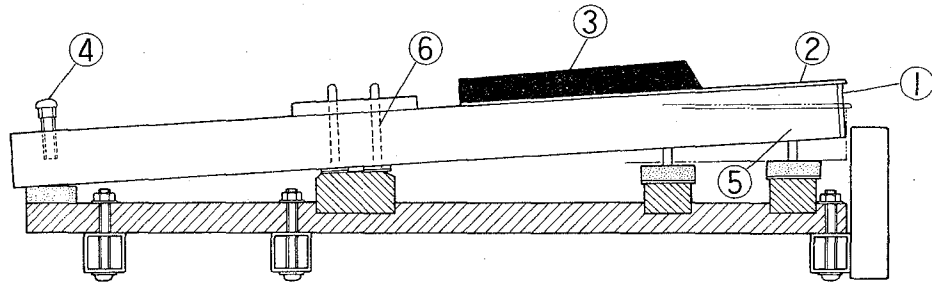


Ref. No.	Part No.	Description	品名	Remarks	ランク
※ 1	BA 00 26 70	Bracket	ブラケット		08
※ 2	TO 10 53 00	Rubber Cap	ゴムキャップ		01
※ 3	BX 50 00 80	Damper Rod	ダンパーロッド		08
4	BA 90 00 00	Damper Rod Hinge	ダンパーロッドヒンジ	(CP-70M)	02
※ 5	NX 50 96 10	Bat Assembly	バット Ass'y	J,G	04
※ "	NX 50 96 20	"	"	U,C	
※ 6	NX 50 96 30	Whippen Assembly	Key#1 ~Key#23 ウイペン Ass'y		04
※ "	NX 50 96 40	"	Key#24~Key#62 "		04
※ "	NX 50 96 50	"	Key#63~Key#76 "		04
※ 7	NX 50 96 60	Damper Lever Assembly	Key#1 ~Key#33 ダンパーレバー Ass'y		03
※ "	NX 50 96 70	"	Key#34~Key#62 "		03
※ 8	NX 50 97 80	Extention Assembly	エクステンション Ass'y		05
※ 9	NX 50 97 20	Hammer Assembly	Key#1 ~Key#37 ハンマー Ass'y		05
※ "	NX 50 97 30	"	Key#38~Key#57 "		05
※ "	NX 50 97 40	"	Key#58~Key#60 "		05
※ "	NX 50 97 50	"	Key#61~Key#72 "		05
※ "	NX 50 97 60	"	Key#73~Key#76 "		05
※ 10	NX 50 96 90	Damper Assembly	☑ Key#1 ~Key#17 ダンパー Ass'y		03
※ "	NX 50 97 00	"	△ Key#18~Key#32 "		03
※ "	NX 50 97 10	"	□ Key#33~Key#62 "		03
※ 11	TO 10 04 00	Action Bolt	アクションボルトナット		02
※ 12	TO 10 20 66	Bat Flange Screw	バットフレンジ取付ネジ		01
※ 13	TO 10 48 56	Whippen Flange Screw	ウイペンフレンジ取付ネジ		01
※ 14	TO 39 16 09	Damper Lever Flange Screw	ダンパーレバーフレンジ取付ネジ		02
※ 15	TO 90 53 00	Bushing	突上棒ピンブッシュ		02

※ : New Parts NR

ランク: Japan only

13. Key Assemblies (鍵 Ass'y)



Ref. No.	Part No.	Description	品名	Remarks	ランク
1	TO 49 10 10	White Key Front	白 鍵 前 面		04
2	TO 49 09 10	White Key Top	白 鍵 上 面	C,D,E,F,G,A,B	03
"	TO 49 09 11	"	"	Lowest E,A,B	03
3	TO 49 08 00	Black Key Top	黒 鍵 上 面		02
4	AX 50 02 50	Capstan Screw	キャプスタンスクリュー	(CP70M)	01
5	CD 01 03 90	Guide Bushing	ガイドブッシング (前)		01
6	CD 01 04 00	"	" (バランス)		01
	EJ 03 52 56	Pan Head Tapping Screw	3.5×25 Ye	ナベタッピンネジ	(CP70M) 01
※	NX 50 81 10	Key Assembly	Key # 1	鍵 Ass'y	16
※	NX 50 81 20	"	Key # 2	"	16
※	NX 50 81 30	"	Key # 3	"	16
※	NX 50 81 40	"	Key # 4	"	16
※	NX 50 81 50	"	Key # 5	"	16
※	NX 50 81 60	"	Key # 6	"	16
※	NX 50 81 70	"	Key # 7	"	16
※	NX 50 81 80	"	Key # 8	"	16
※	NX 50 81 90	"	Key # 9	"	16
※	NX 50 82 00	"	Key # 10	"	16
※	NX 50 82 10	"	Key # 11	"	16
※	NX 50 82 20	"	Key # 12	"	16
※	NX 50 82 30	"	Key # 13	"	16
※	NX 50 82 40	"	Key # 14	"	16
※	NX 50 82 50	"	Key # 15	"	16
※	NX 50 82 60	"	Key # 16	"	16
※	NX 50 82 70	"	Key # 17	"	16
※	NX 50 82 80	"	Key # 18	"	16
※	NX 50 82 90	"	Key # 19	"	16
※	NX 50 83 00	"	Key # 20	"	16
※	NX 50 83 10	"	Key # 21	"	16
※	NX 50 83 20	"	Key # 22	"	16
※	NX 50 83 30	"	Key # 23	"	16
※	NX 50 83 40	"	Key # 24	"	16
※	NX 50 83 50	"	Key # 25	"	16
※	NX 50 83 60	"	Key # 26	"	16
※	NX 50 83 70	"	Key # 27	"	16
※	NX 50 83 80	"	Key # 28	"	16
※	NX 50 83 90	"	Key # 29	"	16
※	NX 50 84 00	"	Key # 30	"	16
※	NX 50 84 10	"	Key # 31	"	16

※ : New Parts NR

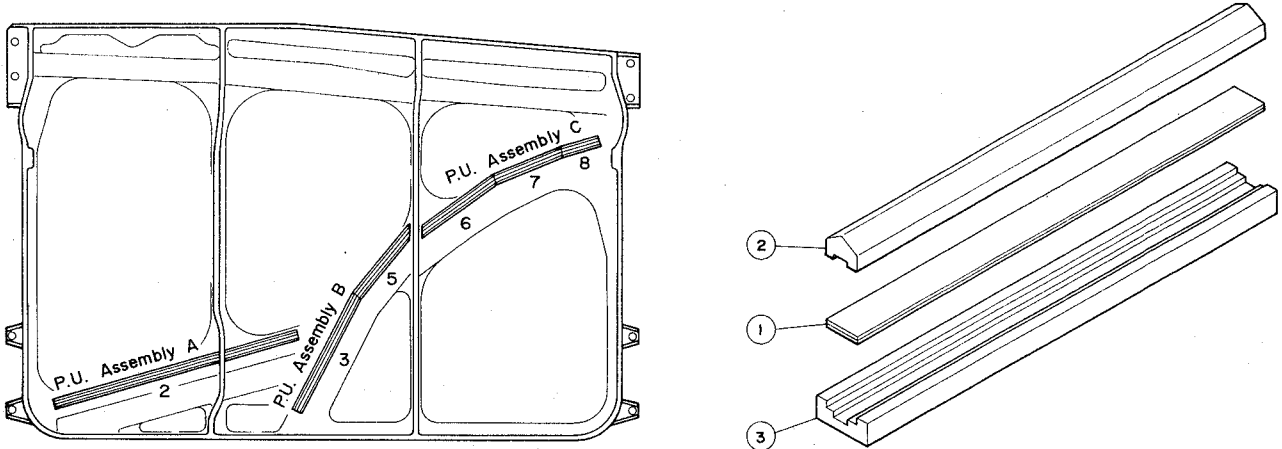
ランク: Japan only

Ref. No.	Part No.	Description	品名	Remarks	ランク
※	NX 50 84 20	Key Assembly	Key #32 鍵	Ass'y	16
※	NX 50 84 30	〃	Key #33	〃	16
※	NX 50 84 40	〃	Key #34	〃	16
※	NX 50 84 50	〃	Key #35	〃	16
※	NX 50 84 60	〃	Key #36	〃	16
※	NX 50 84 70	〃	Key #37	〃	16
※	NX 50 84 80	〃	Key #38	〃	16
※	NX 50 84 90	〃	Key #39	〃	16
※	NX 50 85 00	〃	Key #40	〃	16
※	NX 50 85 10	〃	Key #41	〃	16
※	NX 50 85 20	〃	Key #42	〃	16
※	NX 50 85 30	〃	Key #43	〃	16
※	NX 50 85 40	〃	Key #44	〃	16
※	NX 50 85 50	〃	Key #45	〃	16
※	NX 50 85 60	〃	Key #46	〃	16
※	NX 50 85 70	〃	Key #47	〃	16
※	NX 50 85 80	〃	Key #48	〃	16
※	NX 50 85 90	〃	Key #49	〃	16
※	NX 50 86 00	〃	Key #50	〃	16
※	NX 50 86 10	〃	Key #51	〃	16
※	NX 50 86 20	〃	Key #52	〃	16
※	NX 50 86 30	〃	Key #53	〃	16
※	NX 50 86 40	〃	Key #54	〃	16
※	NX 50 86 50	〃	Key #55	〃	16
※	NX 50 86 60	〃	Key #56	〃	16
※	NX 50 86 70	〃	Key #57	〃	16
※	NX 50 86 80	〃	Key #58	〃	16
※	NX 50 86 90	〃	Key #59	〃	16
※	NX 50 87 00	〃	Key #60	〃	16
※	NX 50 87 10	〃	Key #61	〃	16
※	NX 50 87 20	〃	Key #62	〃	16
※	NX 50 87 30	〃	Key #63	〃	16
※	NX 50 87 40	〃	Key #64	〃	16
※	NX 50 87 50	〃	Key #65	〃	16
※	NX 50 87 60	〃	Key #66	〃	16
※	NX 50 87 70	〃	Key #67	〃	16
※	NX 50 87 80	〃	Key #68	〃	16
※	NX 50 87 90	〃	Key #69	〃	16
※	NX 50 88 00	〃	Key #70	〃	16
※	NX 50 88 10	〃	Key #71	〃	16
※	NX 50 88 20	〃	Key #72	〃	16
※	NX 50 88 30	〃	Key #73	〃	16
※	NX 50 88 40	〃	Key #74	〃	16
※	NX 50 88 50	〃	Key #75	〃	16
※	NX 50 88 60	〃	Key #76	〃	16

※ : New Parts NR

ランク: Japan only

14. Pickups, Tuning Pins (ピックアップとフレーム)



Ref. No.	Part No.	Description		品名	Remarks	ランク
※ 1	NB 50 69 30	Pickup Assembly	A		圧電シート Ass'y A	12
※ "	NB 50 69 40	"	B		" B	12
※ "	NB 50 69 50	"	C		" C	12
※ 2	NB 50 78 20	Bridge Unit	2		駒 ユ ニ ッ ト	04
※ "	NB 50 78 30	"	3		"	03
※ "	NB 50 78 50	"	5		"	02
※ "	NB 50 78 60	"	6		"	02
※ "	NB 50 78 70	"	7		"	02
※ "	NB 50 78 80	"	8		"	01
※ 3	NB 50 69 70	Base Unit	2		台 座 ユ ニ ッ ト	05
※ "	NB 50 69 80	"	3		"	04
※ "	NB 50 70 00	"	5		"	03
※ "	NB 50 77 60	"	6		"	04
※ "	NB 50 77 70	"	7		"	03
※ "	NB 50 77 80	"	8		"	03
	AA 50 17 50	Tuning Pin	#3	7.10mm	チューニングピン	01
	AA 50 17 60	"	#4	7.15mm	"	01
	AA 50 19 00	"	#5	7.20mm	"	01
	AA 50 18 10	"	#6	7.25mm	"	01

※ : New Parts NR

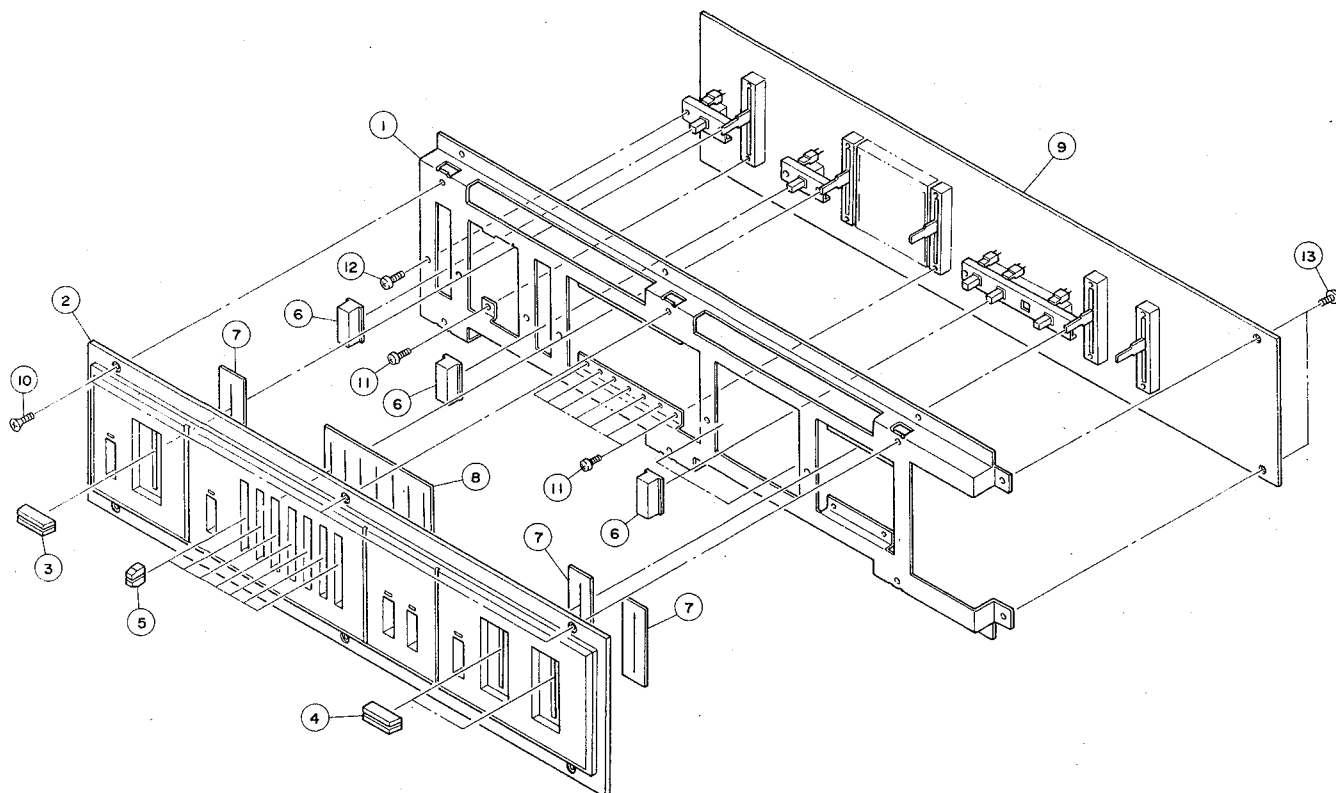
ランク: Japan only







16. Control Panel Assembly (操作パネル Ass'y)



Ref. No.	Part No.	Description	品名	Remarks	ランク
		Control Panel Assembly	操作パネル Ass'y		
※ 1	AA 50 26 90	Sub Chassis	サブシャーシ		05
※ 2	CB 50 19 80	Control Panel	操作パネル		07
※ 3	CB 50 20 00	Knob	ツマミ	VOLUME	01
※ 4	CB 50 20 10	"	"	TREMOLO	01
※ 5	CB 50 20 20	"	"	EQUALIZER	01
※ 6	CB 50 19 90	"	プッシュツマミ		02
※ "	CB 50 23 10	"	"	Power (CP60M)	01
※ 7	CA 50 04 50	Dust Proof Sheet	防塵シート	VOLUME, TREMOLO	01
※ 8	CA 50 04 60	"	防塵シート	EQUALIZER	02
※ 9	NA 50 04 50	MA Circuit Board	M A シート	(Refer to page 39)	21
※ "	NA 50 05 00	"	"	(Refer to page 39)	20
	EO 33 00 86	Flat Head Tapping Screw	3×8	Bl 皿タッピンネジ	01
	EA 02 00 30	Pan Head Screw	M2×3	Ye ナベ小ネジ	01
	EA 03 00 66	"	M3×6	Ye "	01
	Ei 03 00 86	Bind Head Tapping Screw	3×8	Ye バインドタッピンネジ	01

※ : New Parts NR

ランク: Japan only

CP80D,CP80M

CP70D,CP70M

CP60M

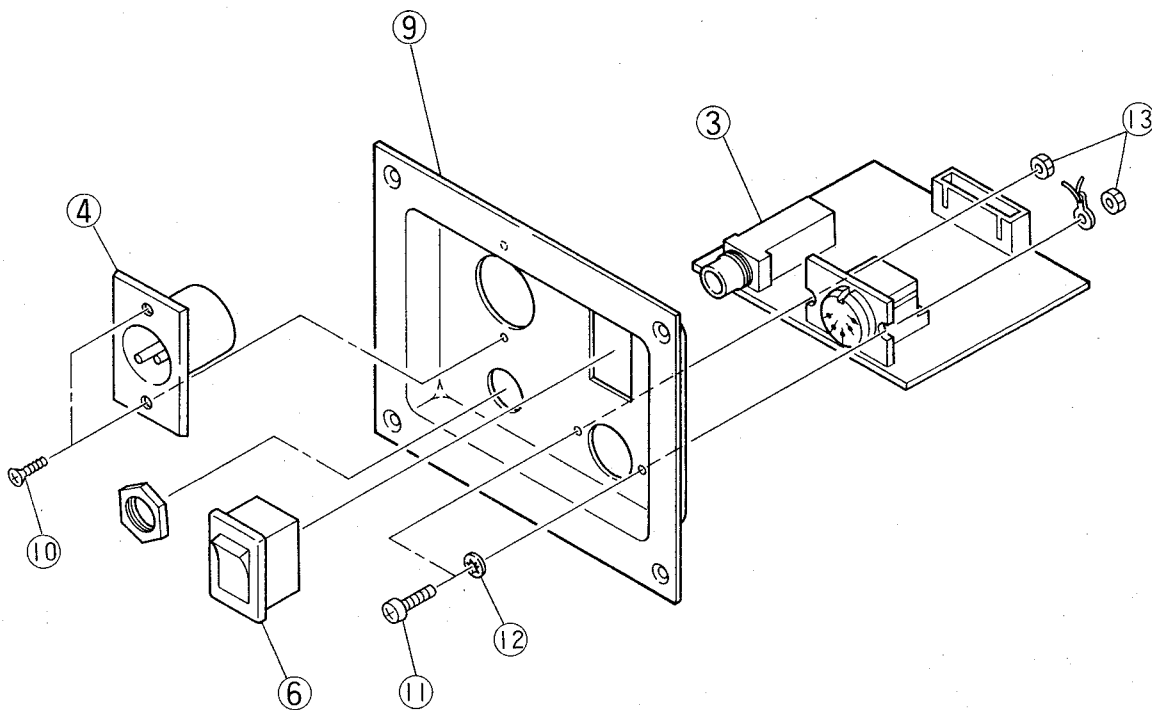
17. Left Panel & MIDI OUT Panel Assemblies (左パネル、MIDI OUT パネル Ass'y)

Ref. No.	Part No.	Description	品名	Remarks	ランク
		Left Panel Assembly	左パネル Ass'y		
		MIDI OUT Panel Assembly	MIDI OUT パネル Ass'y		
1	NA 50 04 60	LP Circuit Board	CP80D,M, CP70D,M	L P シ ー ト (Refer to page39)	14
2	NA 50 05 10	"	CP60M	" (Refer to page39)	09
3	NA 50 04 90	MIDI OUT Circuit Board	CP80M,70M,60M	MIDI OUT シ ー ト (Refer to page39)	05
4	LB 20 07 60	Connector	XLR-2-32	キャノンソケット	09
5	LB 30 20 30	"	XLB-3-32	"	06
6	KA 10 12 80	Power Switch	CP80M,70M	パワースイッチ	04
7	AA 50 26 80	Left Panel	CP80D,M, CP70D,M	左 パ ネ ル	07
8	AA 50 29 50	"	CP60M	"	07
9	AA 50 28 40	MIDI OUT Panel	CP80M,CP70M	MIDI OUT パ ネ ル	06
10	EM 13 00 86	Oval Head Tapping Screw	3×8 FNM3-3G	丸皿タッピンネジ	01
11	EA 33 00 86	Pan Head Screw	M3×8 BI	ナベ小ネジ	01
12	EV 41 30 36	Toothed Lock Washer	A3S BI	歯付座金	01
13	EV 10 00 36	Hexagonal Nut	M3 Ye	六角ナット	01

※ : New Parts NR

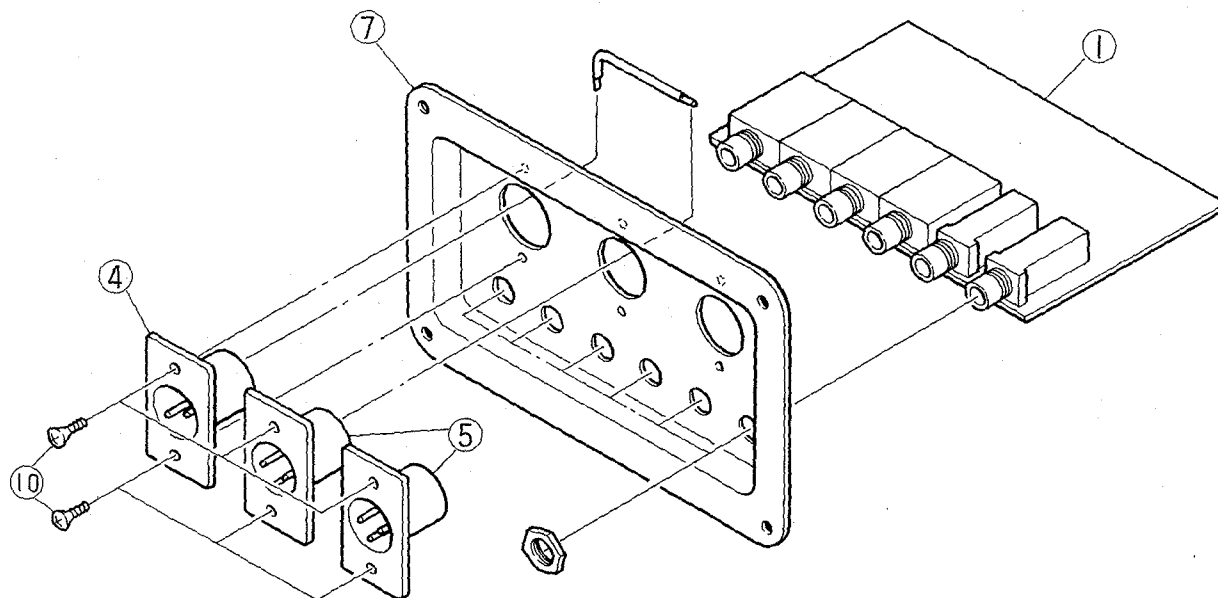
ランク: Japan only

● MIDI OUT Panel Assembly (CP80M,CP70M)

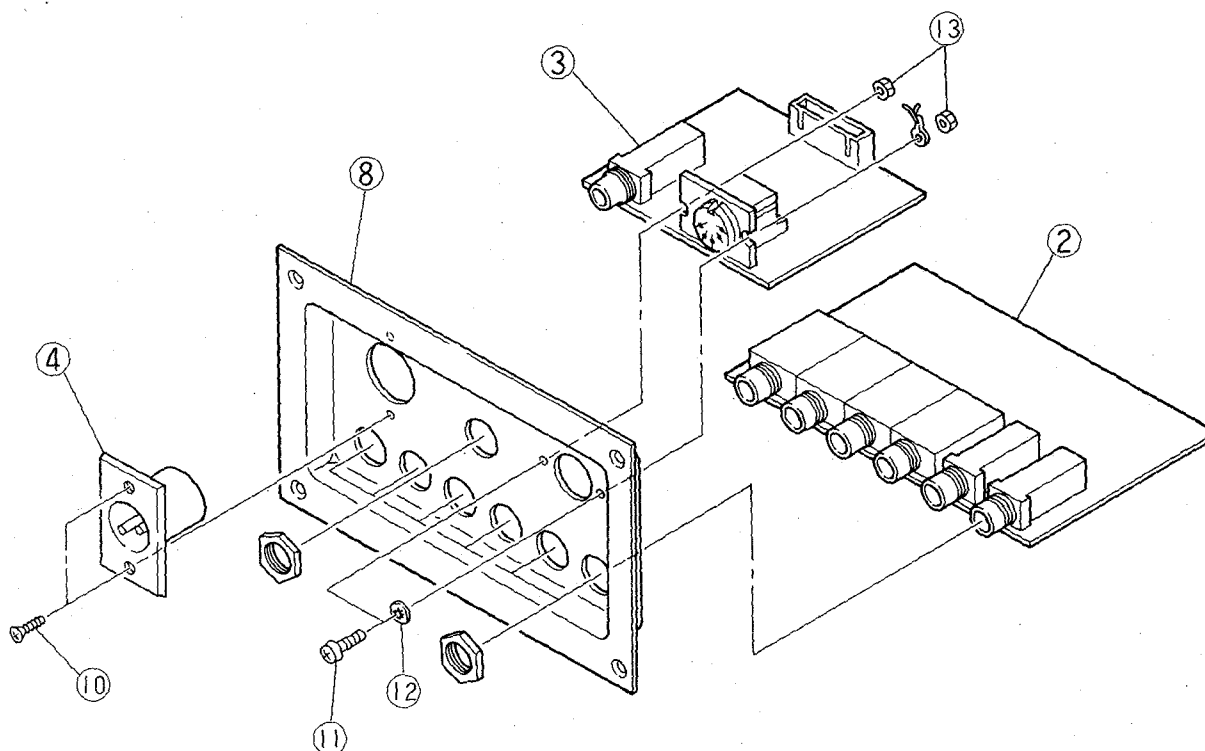


CP80D,CP80M  
CP70D,CP70M  
CP60M

● Left Panel Assembly(CP80D,80M,CP70D,70M)



● Left Panel Assembly(CP60M)

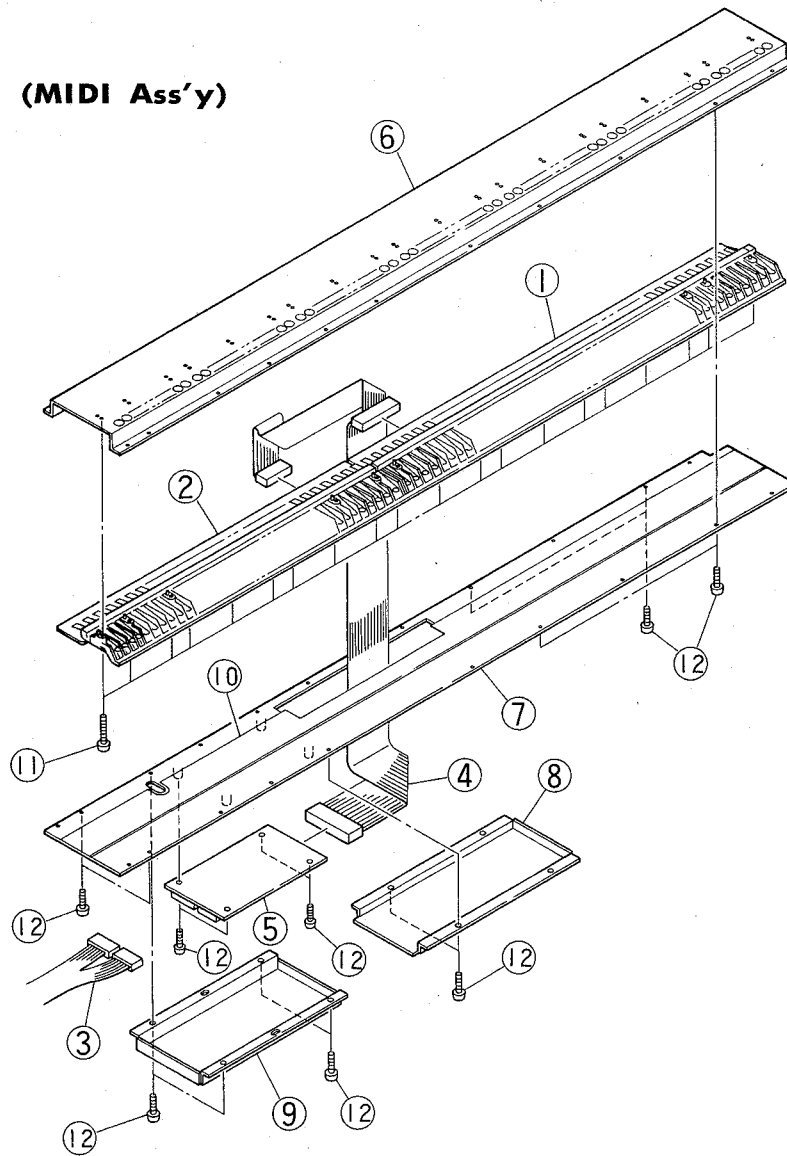


CP80D,CP80M

CP70D,CP70M

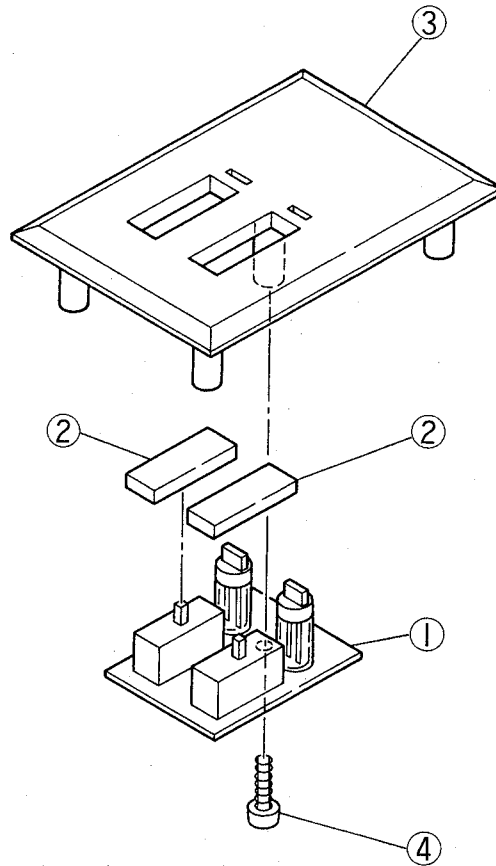
CP60M

18. MIDI Assembly (MIDI Ass'y)



Ref. No.	Part No.	Description	品 名	Remarks	ランク	
		MIDI Assembly	M I D I Ass'y			
1	NB 11 00 10	Switch Unit	88L	スイッチユニット CP80M (PF15)	19	
"	NB 11 00 30	"	76L	" CP70M,CP60M (YP30)	18	
2	NB 11 00 20	"	88H	" CP80M (PF15)	20	
"	NB 11 00 40	"	76H	" CP70M,CP60M (YP30)	20	
※	3	MZ 50 09 60	Cable Assembly	MIDI	束 線 CP80M,CP70M	10
※	"	MZ 50 10 10	"	"	" CP60M	10
※	4	MZ 50 09 50	"	KS	"	09
※	5	MA 50 04 70	MIDI Circuit Board	M I D I シ ー ト	(Refer to page 40)	18
※	6	AA 50 28 90	Switch Cover	88 Upper	スイッチユニットケース CP80M	13
※	"	AA 50 28 50	"	76 Upper	" CP70M,CP60M	14
※	7	AA 50 29 00	"	88 Lower	" CP80M	07
※	"	AA 50 28 60	"	76 Lower	" CP70M,CP60M	10
※	8	AA 50 28 70	Connector Cover		コネクタカバー	04
※	9	AA 50 28 80	Circuit Board Cover		MIDIシートカバー	05
※	10	CB 50 23 30	Insulation Sheet		絶縁シート CP80M	06
"	"	CB 50 23 20	"		" CP70M,CP60M	06
	11	ED 03 01 66	Bind Head Screw	M3×16	Ye バインド小ネジ	01
	12	ED 03 00 66	"	M3×6	Ye "	01

19. MIDI Switch Panel Assembly (MIDI スイッチパネル Ass'y)



Ref. No.	Part No.	Description	品名	Remarks	ランク
		MIDI Switch Panel Assembly	MIDI SW パネル Ass'y		
※ 1	NA 50 04 80	MIDI Switch Circuit Board	CP80M, CP70M	MIDI SW シート (Refer to page 39)	06
※ "	NA 50 05 20	"	CP60M	" (Refer to Page 39)	05
※ 2	CB 50 19 90	Knob	Black	ブッシュ SW	02
※ 3	CB 50 21 10	MIDI Switch Panel		MIDI SW パネル	04
※ 4	Ei 03 00 66	Bind Head Tapping Screw	3×6 Ye	バインドタッピンネジ	01

※ : New Parts NR

ランク: Japan only

CP80D,CP80M

CP70D,CP70M

CP60M

## 20. Electrical Parts (電気部品)

Ref. No.	Part No.	Description	品 名	Remarks	ランク
	NA 50 04 50	MA Circuit Board	M A シ ー ト	CP70D,CP70M,CP80D,CP80M	21
	NA 50 05 00	"	"	CP60M	20
	iG 00 13 90	IC	I C		03
	iG 06 92 00	"	"		05
※	FZ 00 64 60	Electrolytic Cap.	100 $\mu$ F 16V	ケ ミ コ ン	01
	FZ 00 42 40	" (Non-polar)	1 $\mu$ F 50V	B P ケ ミ コ ン	01
※	FZ 00 65 60	" "	2.2 $\mu$ F 50V	"	01
	iC 15 71 50	Transistor	2SC1571F	ト ラ ン ジ ス タ	03
	iE 00 00 10	FET	2SK30A (Y)	F E T	03
	iH 00 02 40	Diode	1S1885	ダ イ オ ー ド	01
	iF 00 57 00	Zener Diode	RD5,1EB2	ツ ェ ナ ー ダ イ オ ー ド	01
※	iF 00 82 10	LED	GL-9PR24	L E D	01
	iK 00 01 80	Photo Conductor	MCD527 L/NG	フ ォ ト コ ン ダ ク タ	06
※	KA 80 47 40	Push Switch		ブ ッ シ ュ S W	POWER,EQUALIZER
※	KA 80 47 50	"		"	TREMOLO,EFFECTS
※	HQ 42 03 10	Slide Pot.	B100K $\times$ 2	ス ラ イ ド V R	VOLUME
※	HQ 42 03 20	"	C100K $\times$ 2	"	SPEED
※	HQ 42 03 30	"	C20K $\times$ 2	"	DEPTH
※	HQ 42 03 40	"	S200K,CT	"	EQUALIZER
	HT 41 00 90	Trim Pot.	B100K	半 固 定 V R	02
	HT 41 00 80	"	B22K	"	02
	LB 10 01 10	Connector Pin		コ ネ ク タ ピ ン	01
	LB 30 07 50	Connector Base Pin	3P SE	コ ネ ク タ ベ ー ス ピ ン	01
	LB 60 31 00	"	11P SE	"	02
	LB 60 29 10	"	12P SE	"	02
	NA 50 04 60	LP Circuit Board	L P シ ー ト	CP70D,CP70M,CP80D,CP80M	14
	NA 50 05 10	"	"	CP60M	09
	iG 02 78 50	IC	$\mu$ PC78L12	I C	03
※	FZ 00 64 70	Electrolytic Cap.	220 $\mu$ F 25V	ケ ミ コ ン	01
※	FZ 00 64 80	"	470 $\mu$ F 25V	"	02
	iC 15 71 50	Transistor	2SC1571F	ト ラ ン ジ ス タ	03
	iF 00 56 80	Zener Diode	RD16EB3	ツ ェ ナ ー ダ イ オ ー ド	01
※	LB 60 75 30	Phone Jack	HLJ2336-01-3060	ホ ー ン ジャ ッ ク	SEND,RETURN
	LB 20 29 30	"	HLJ0521-01-110	"	OUTPUT
※	GD 90 06 90	Line Transformer		ラ イ ン ト ラ ン ス	CP70D,CP70M,CP80D,CP80M
	LB 60 24 60	Connector Base Pin	7P TE	コ ネ ク タ ベ ー ス ピ ン	01
	LB 60 46 70	"	15P TE	"	02
	NA 50 04 90	MIDI OUT Circuit Board	MIDI OUT シ ー ト	CP60M,CP70M,CP80M	05
	LB 20 29 30	Phone Jack	HLJ0521-01-110	ホ ー ン ジャ ッ ク	MIDI FOOT SW
	LB 50 05 20	DIN Socket	5P	DIN ソ ケ ッ ト	MIDI OUT
	LB 91 80 70	Connector Base Pin	7P TE	コ ネ ク タ ベ ー ス ピ ン	01
	NA 50 04 80	MIDI Switch Circuit Board	MIDI SW シ ー ト	CP70M,CP80M	06
	NA 50 05 20	"	"	CP60M	05
※	KA 80 53 80	Push Switch		ブ ッ シ ュ S W	04
※	iF 00 82 10	LED	GL-9RP24	L E D	01
	LB 60 30 00	Connector Base Pin	7P BE	コ ネ ク タ ベ ー ス ピ ン	CP70M,CP80M
	LB 91 90 70	"	7P SE	"	CP60M

※ : New Parts NR

ランク: Japan only

