

YAMAHA

ELECTRIC GRAND CP80D·CP70D
OPERATING MANUAL

ELECTRIC GRAND CP80D·CP70D

Thank you for your purchase of the Yamaha Electric Grand. You will find that it plays with the action of a grand piano. The Electric Grand comes equipped with a graphic equalizer to provide acoustic sound and more variation in music work. Further, with its tremolo system, external effect connector terminals, etc., you will find that your stage or studio will be enhanced by the individualistic music which can be produced.

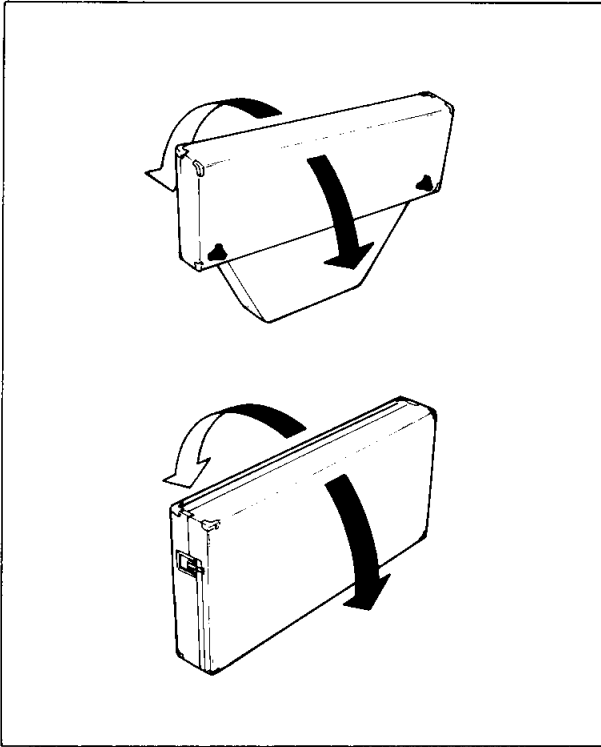
This manual describes the fundamentals and proper operation procedures of the Electric Grand to help you enjoy a lasting patronage with it. Please read through this manual before setting up the piano.

CONTENTS

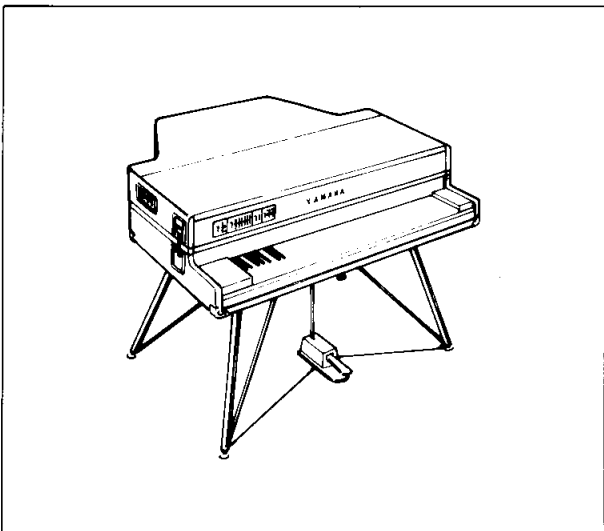
■ CAUTIONS	1
■ ASSEMBLY	2
■ OVERVIEW	4
■ CONTROL PANEL	5
■ CONNECTION TO THE OTHER SYSTEMS	5
■ SPECIFICATIONS	6
■ BLOCK DIAGRAM	7

CAUTIONS

- 1 Do not stand the separated units on end as they may fall over. This could be dangerous.



- 2 Function of the damper pedal may be impaired if the piano is moved with it attached. Therefore, install the pedal only after the piano has been assembled and moved to the position where it will be used.



- 3 The accompanying AC adaptor is especially designed for this instrument and is not interchangeable with other AC adapters on the market. Use of other adapters may result in damage to the internal Electrical circuit. Therefore, use only the AC adapter designed for this instrument. If this instrument is used in another country, a special AC adapter designed for the local voltage may be necessary.

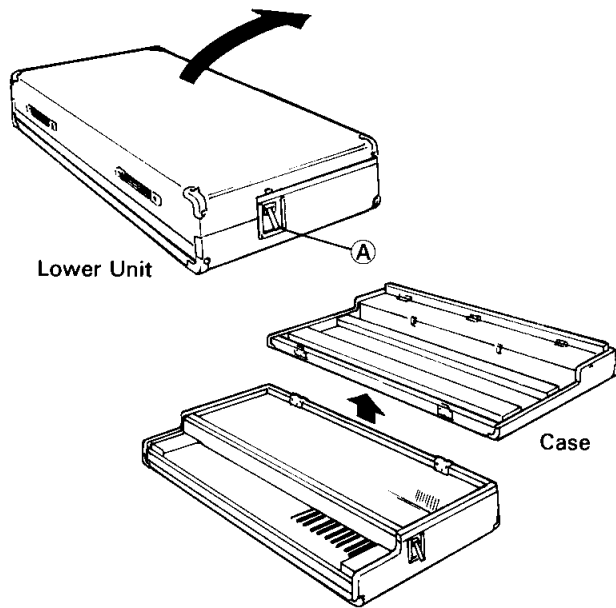
- 4 This instrument is designed to operate with 16-20 volts DC. Never plug it directly into an AC outlet.

- 5 Be careful not to catch your fingers between the upper and lower units.

ASSEMBLY

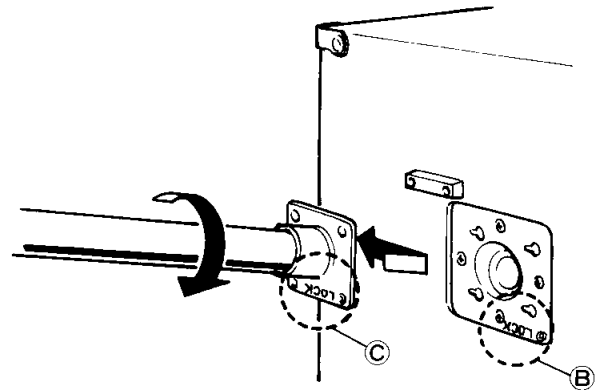
1 Separating Lower Unit & Case

Release the hooks (A) on both sides, lift the case upward and release it from the hinges. (Pull out the 2 phone jack cords from the retaining straps in the rear of the keyboard section).



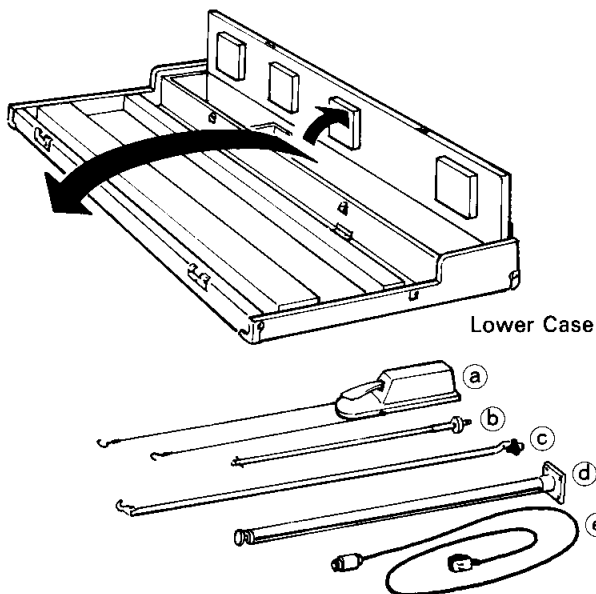
3 Attaching The Legs

Set the lower unit upright with the keyboard facing upward. Insert the legs in "LOCK" direction (B), slide them into the grooves and then turn them in "LOCK" direction (C) to secure them firmly in place.



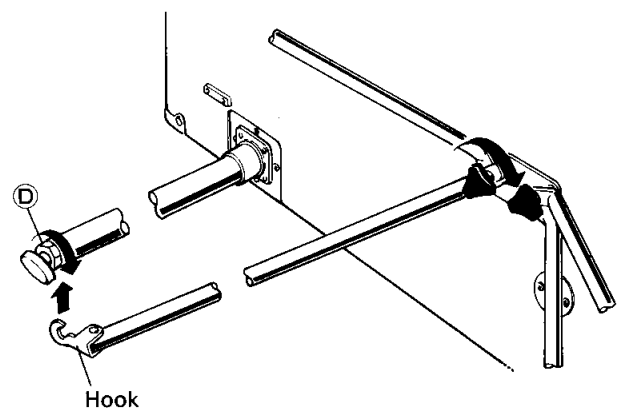
2 Removing Items From Lower Case

- a Pedal b Pedal Rod
- c Leg Stays (2 with screws, 2 without)
- d 4 Legs e AC Adapter



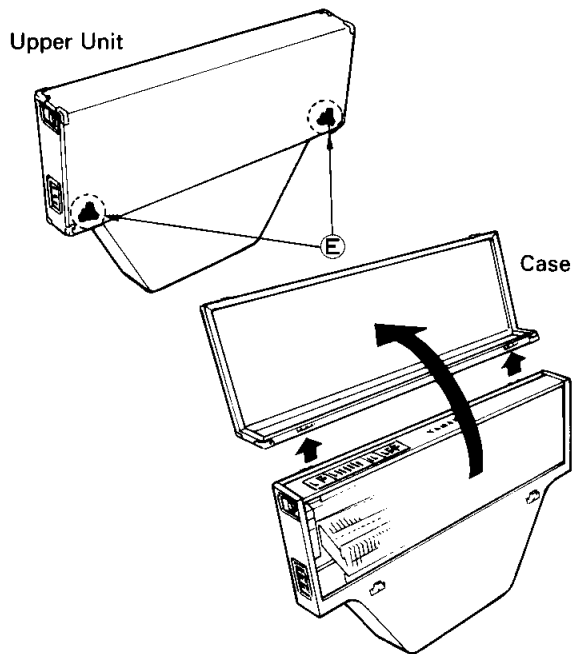
4 Installing Leg Stays

Place the stays with screws over those without screws and tighten them temporarily. Attach the hooks and tighten the rings (D). Lastly, tighten the stay screws and set the lower unit upright.



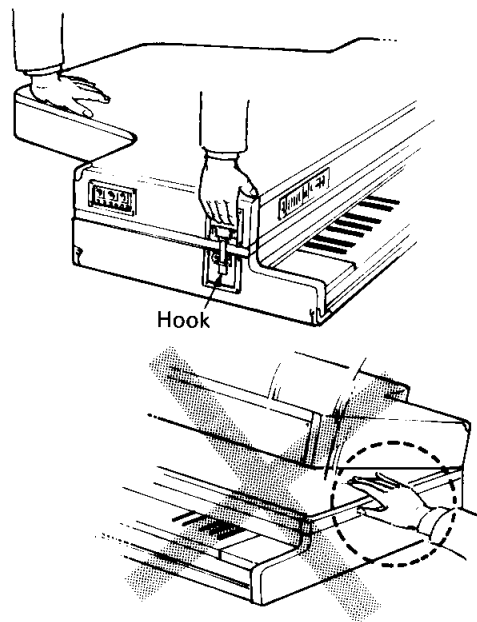
5 Separating Upper Unit From Case,

Stand the upper unit upright with the YAMAHA identification plate face down, and loosen the screws (E). Swing the case up and remove it from the hinges.



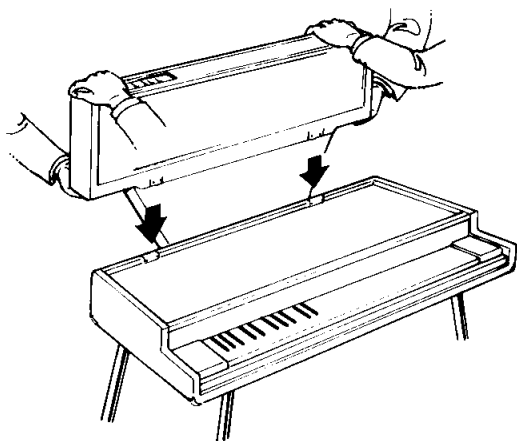
7 Attaching Upper Unit

Support the upper unit with both hands and swing it down to the keyboard. Securely connect both units with the hooks at both ends. Be careful not to catch your fingers between the two units.



6 Installing Upper Unit

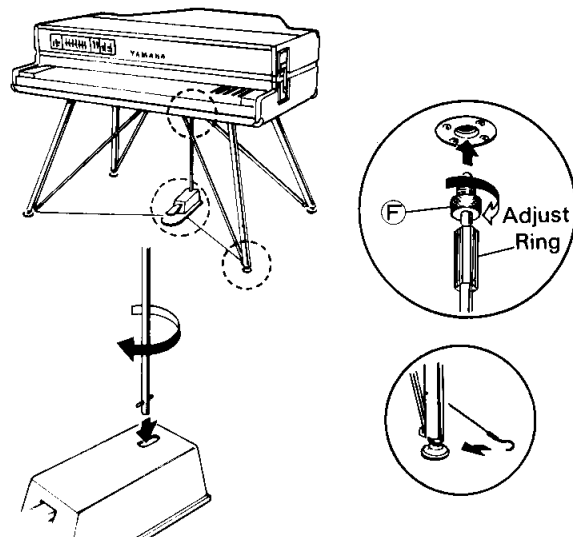
Lift the upper unit vertically and slide it into the hinges. Be careful not to catch your fingers between the two units.



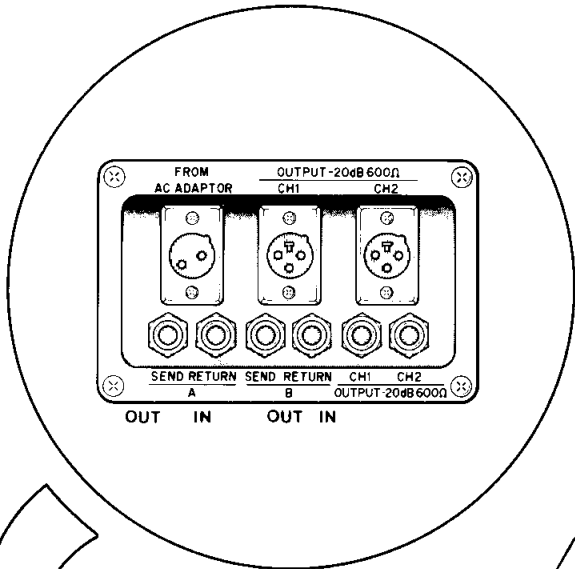
8 Installing & Adjusting The Pedal

As shown, insert the rod into the pedal and turn it 90° in either direction to secure it. Then align the rod with the lower unit pedal hole and secure it with the ring (F). Lastly, connect the wires to the legs.

Adjustment: Depress the pedal a little at a time while turning the adjust ring until there is no more play.



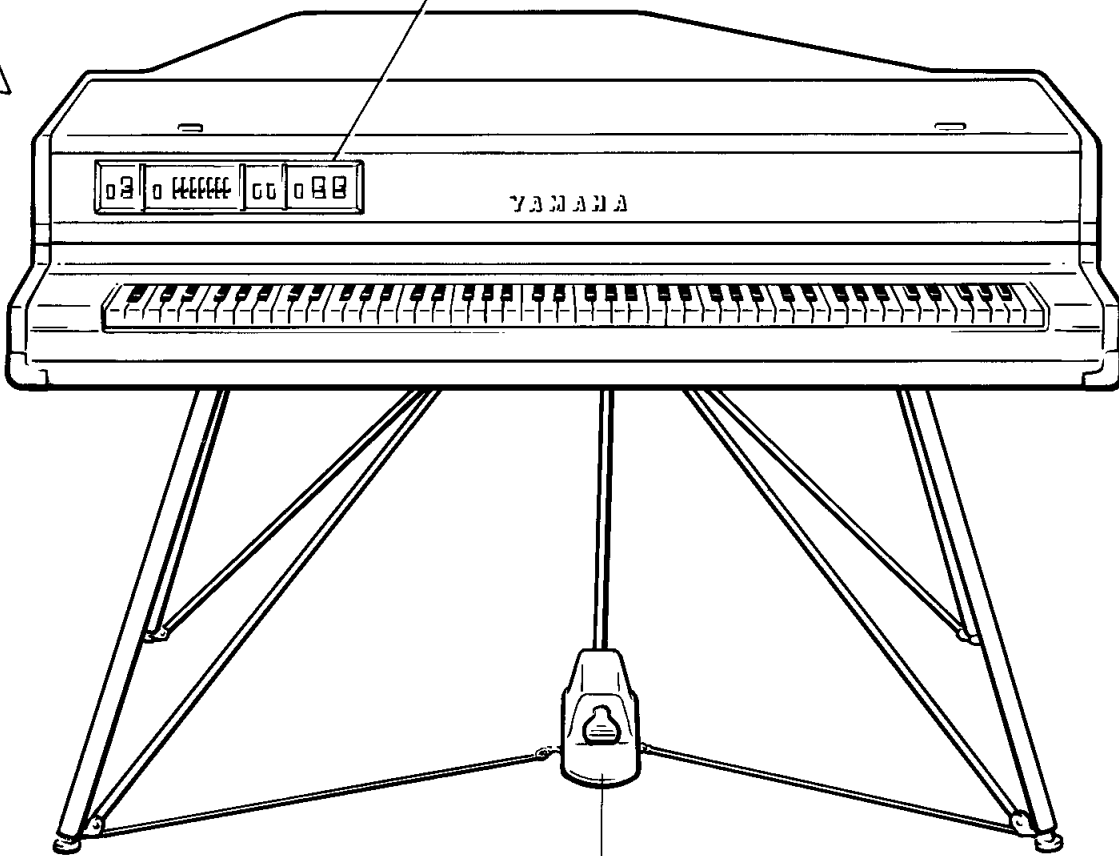
OVERVIEW



CONNECTING
TERMINALS

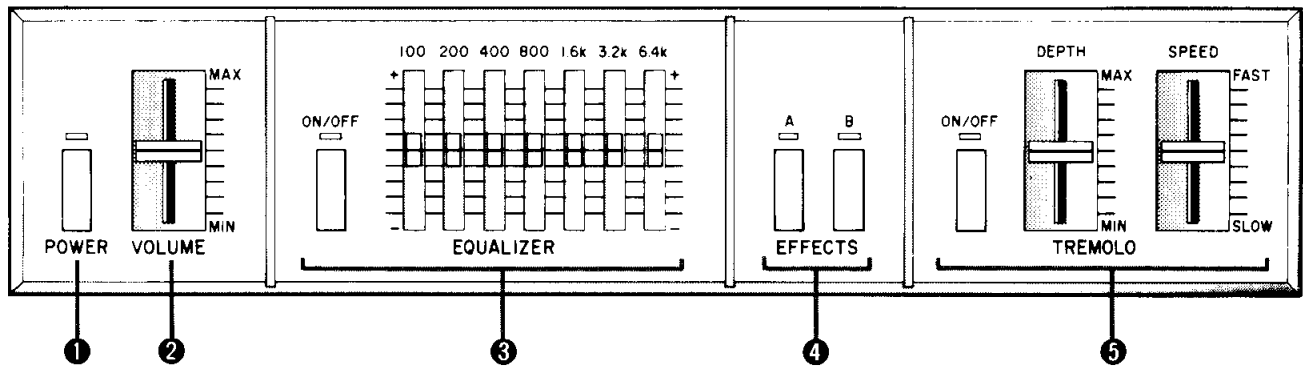


CONTROL PANEL



DAMPER PEDAL

CONTROL PANEL



① POWER

Power Switch.

② VOLUME

For volume control.

③ EQUALIZER

Seven-band graphic equalizer for a maximum variable pitch of ± 12 dB. Can be turned ON or OFF with the switch. LED lamp lights when ON.

④ EFFECTS

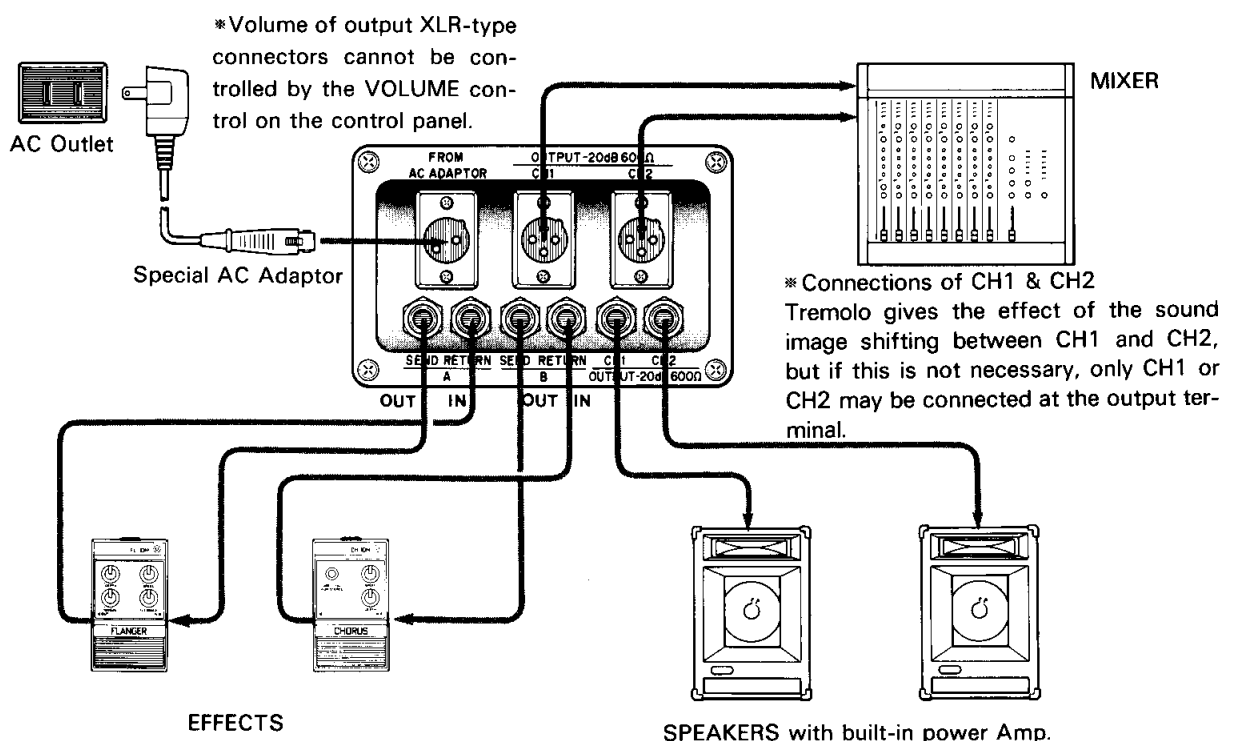
When the switch is pushed, the effects connected to the SEND & RETURN terminals of the left panel will come ON. LED lamp lights when ON.

⑤ TREMOLO

By means of LFO, Tremolo provides amplitude variation with depth and speed control. Tremolo can be turned ON or OFF with the switch. The LED lamp lights when ON.

LFO phase difference is 180° between CH1 and CH2 (the two speakers), shifting the sound image between them.

CONNECTION TO THE OTHER SYSTEMS



SPECIFICATIONS

Keyboard

CP 80D: 88 keys 7 ¼ Octave (A₁-c₅)
 CP 70D: 73 keys 6 Octave (E₁-e₄)

Sound Production System

Striking action

Action

GP & Special Hammer

Pickups

Independent piezo electric pickup system

Volume Control

Equalizer Middle Frequency:
 100, 200, 400, 800, 1.6K, 32K,
 6.4KHZ

Variable Range: ±12 dB

Tremolo Speed: $0.8 \frac{+0.5\text{HZ}}{-0.2\text{HZ}} \sim 10 \frac{+3\text{HZ}}{-1\text{HZ}}$

Continuous Variation

Depth: Continuous possible
 within 40% Max.
 & 15% Min.

Volume

Control Switch

POWER, EQUALIZER (ON/OFF)
 EFFECT A, B, TREMOLO (ON/OFF)
 (All with LED)

Connecting Terminals

Send A, Send B Out (-20 dBm, 600 Ω)
 Return A, Return B In (-20 dBm, 100K Ω)
 Phone Jack Out 2ch (-20 dBm, 600 Ω, unbalanced)
 XLR-type Connector Out 2ch (-20 dBm, 600 Ω, balanced)

Rated Power Consumption

AC, 50/60HZ
 1.2 W (17.5 V, 70 mA DC)
 (in case of the AC adaptor in use).

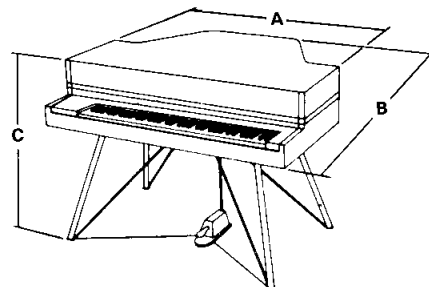
External Appearance

Suitcase Style, Upper & Lower Units Separable, Leather Covering

Accessories

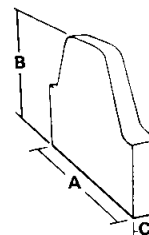
- | | |
|---|------------------------|
| 1) Leg ... | } Packed in lower case |
| (4 with base
4 Leg Stays | |
| 2) Pedal | } Packed in lower case |
| (Pedal
Pedal Rod | |
| 3) Special Adaptor | |
| 4) Phone Jack Cord 2 (Packed in Lower Unit) | |

Dimensions



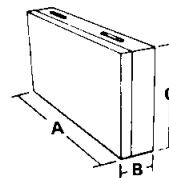
	CP80D	CP70D
A	1460mm	1296mm
B	1130mm	1047mm
C	941mm	941mm
Overall Weight	132 kg	112 kg

Overall Weight(when set up)



	CP80D	CP70D
A	1460mm	1296mm
B	986mm	903mm
C	173mm	173mm
Weight	86 kg	69 kg

(When stored in upper case)

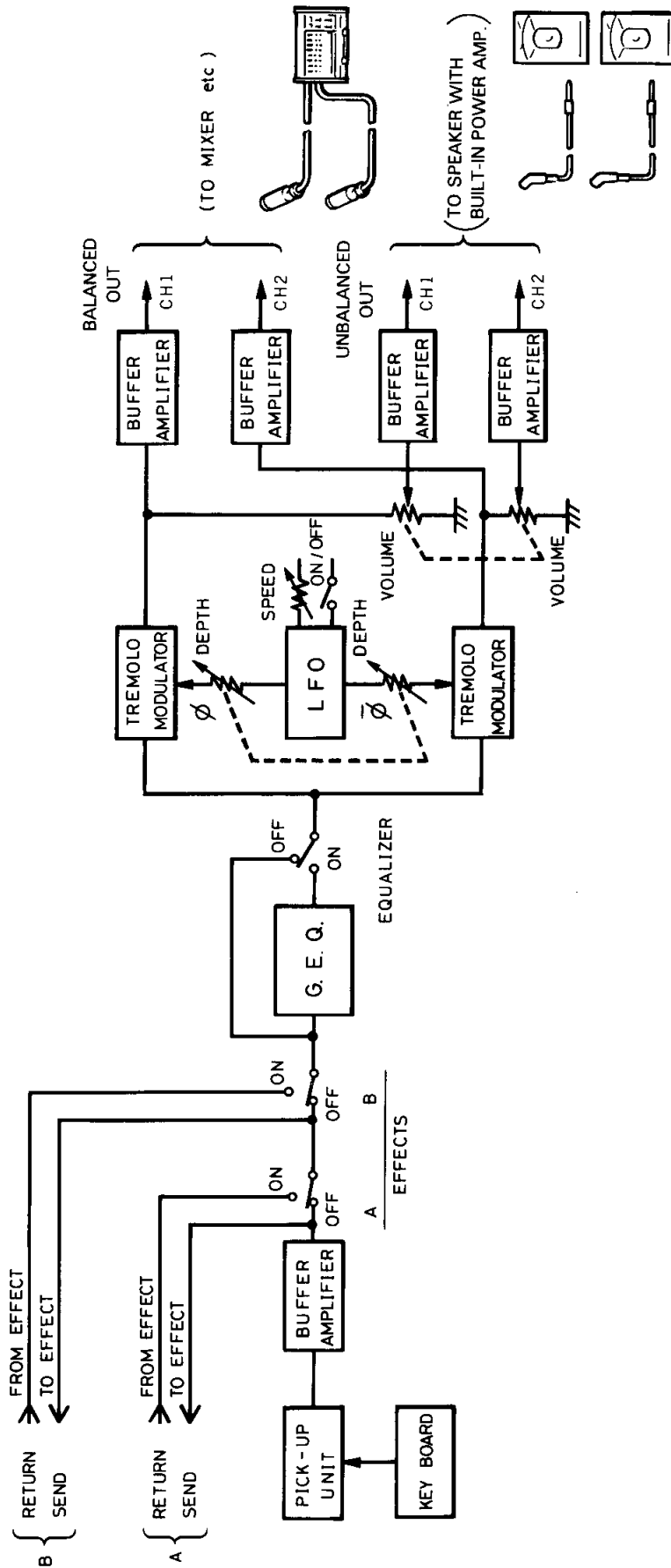


	CP80D	CP70D
A	1460mm	1296mm
B	636mm	636mm
C	243mm	243mm
Weight	67 kg	61 kg

(When stored in lower case)

* Specifications are subject to change without prior notice.

BLOCK DIAGRAM



SINCE 1887  **YAMAHA**
NIPPON GAKKI CO., LTD. HAMAMATSU, JAPAN