

1

2

3

4

5

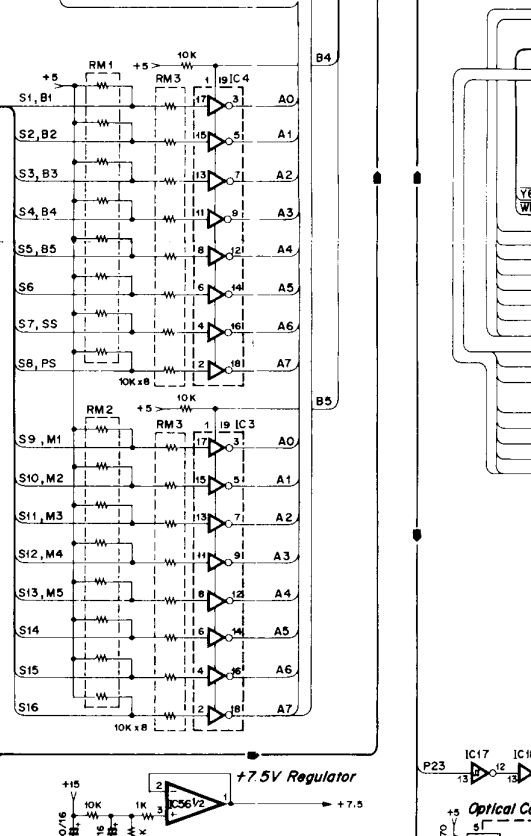
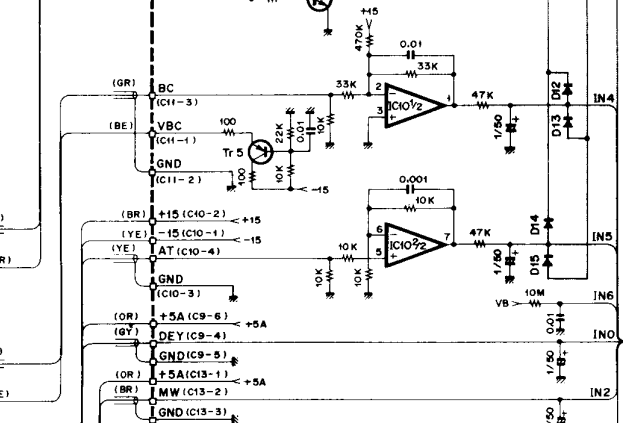
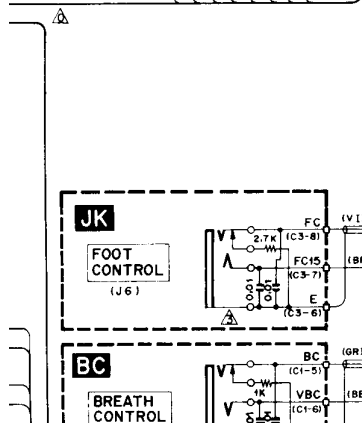
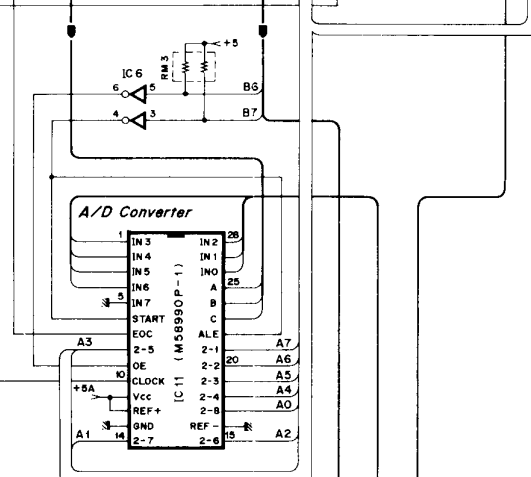
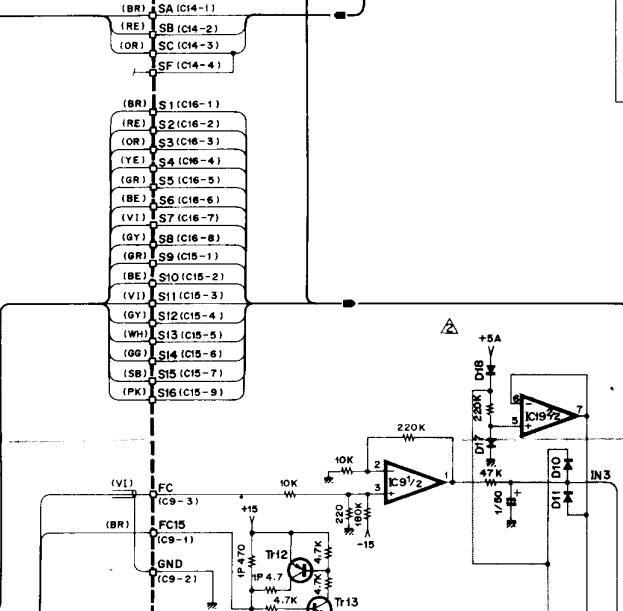
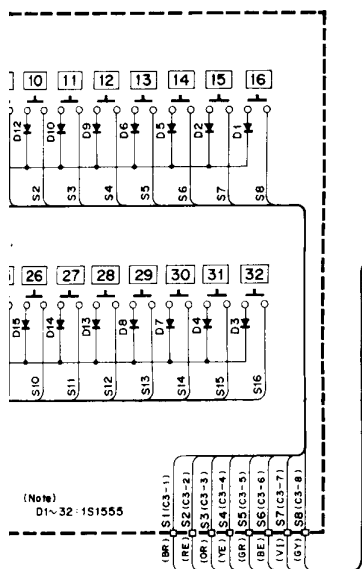
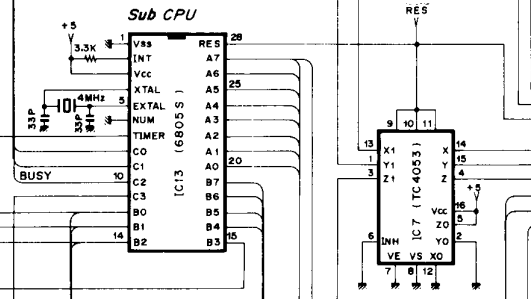
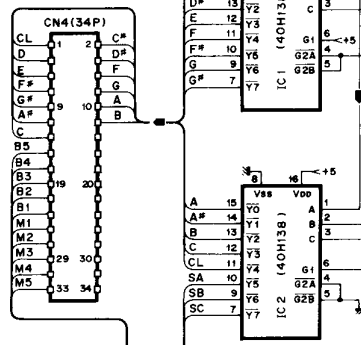
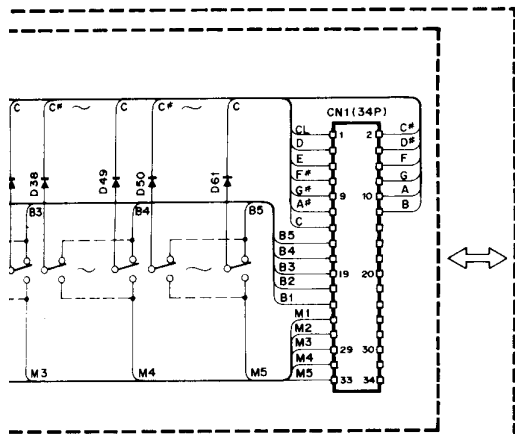
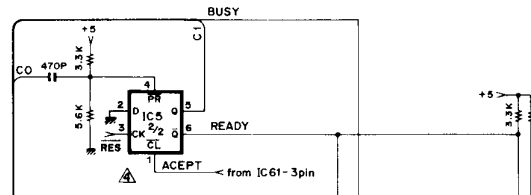
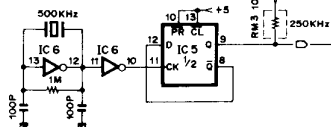
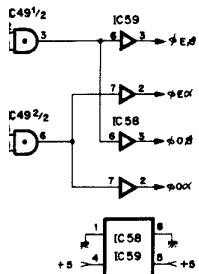
6

E

F

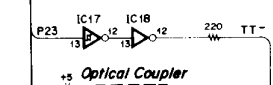
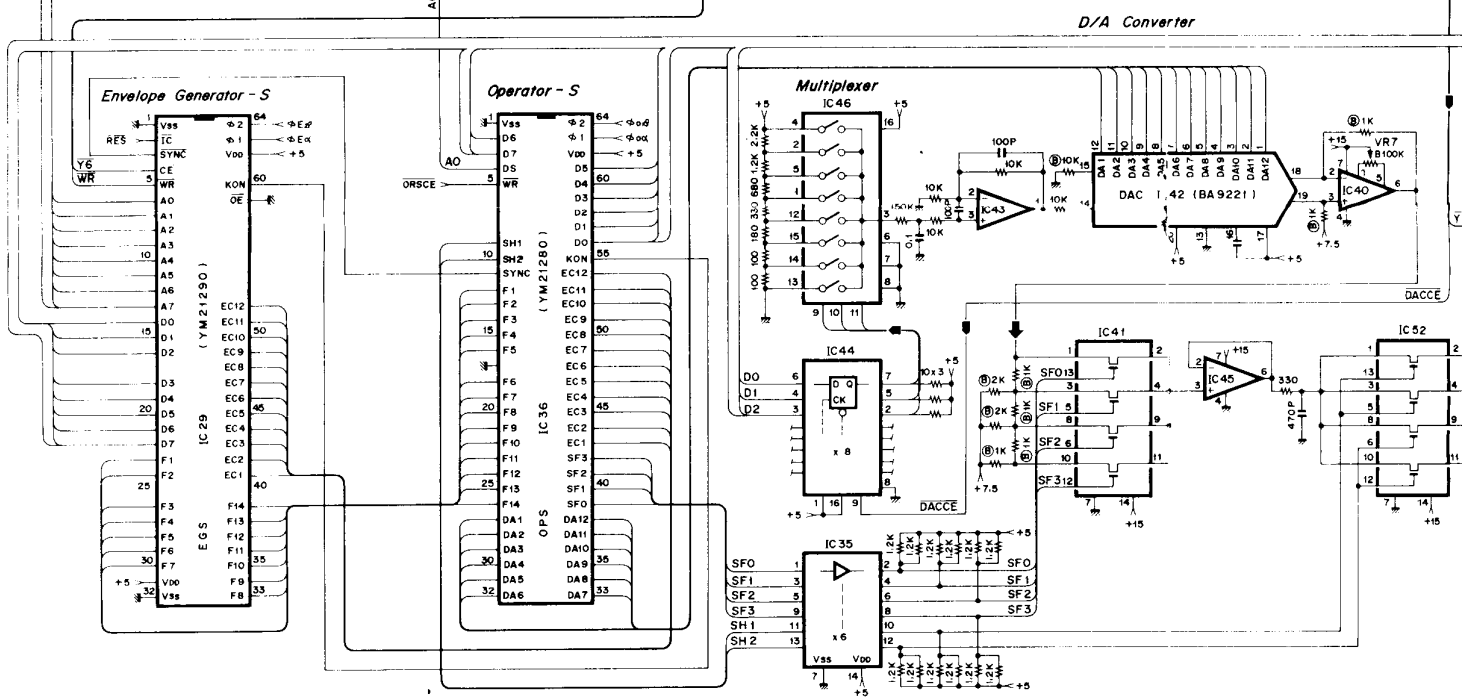
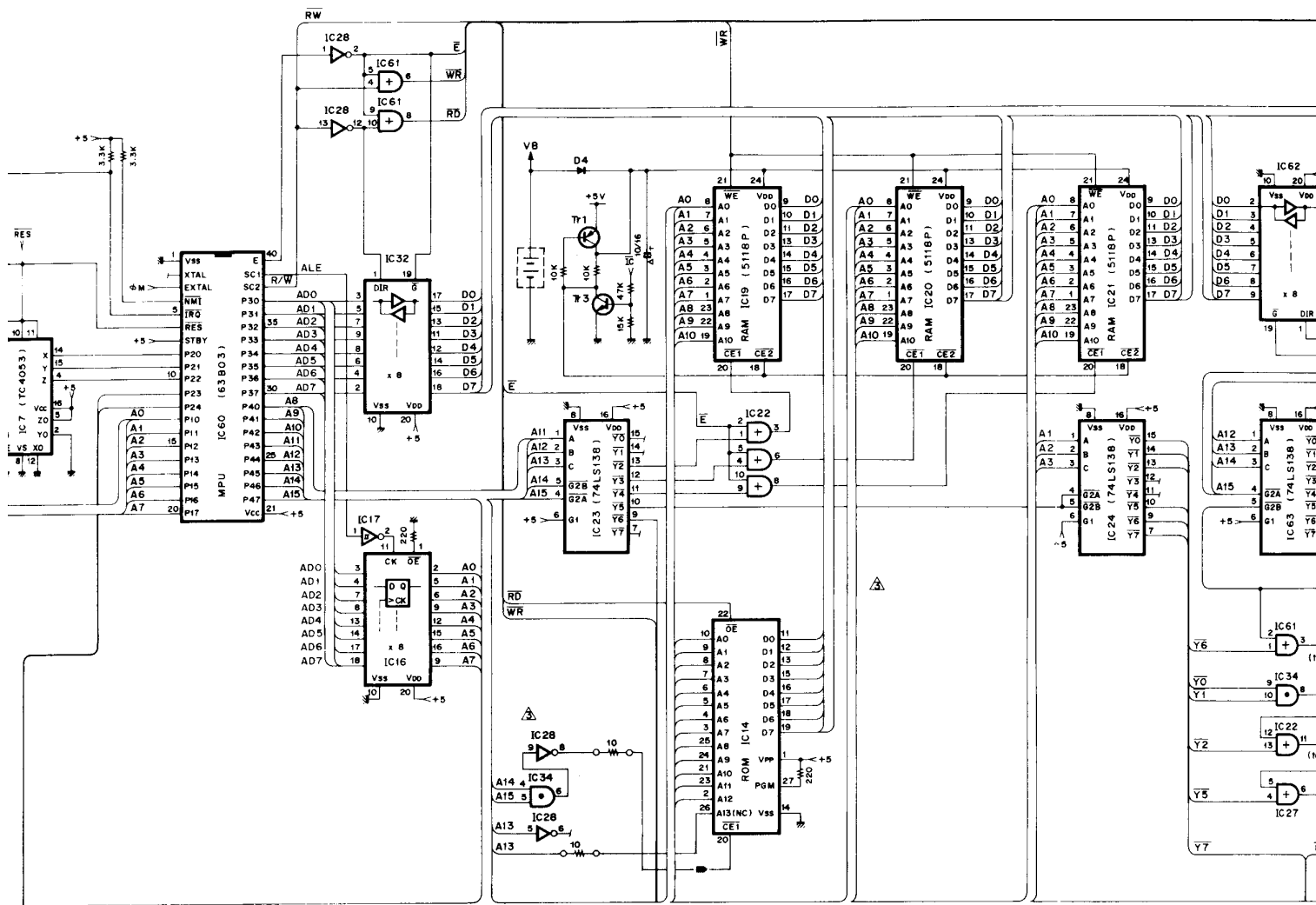
G

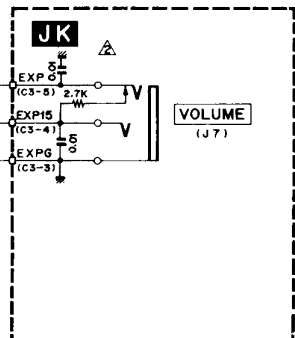
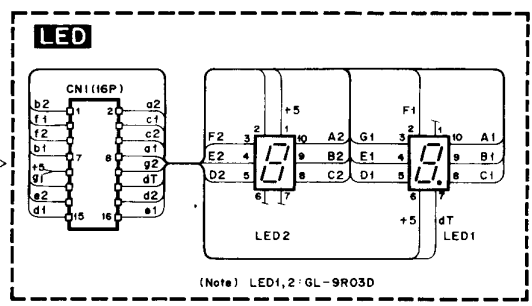
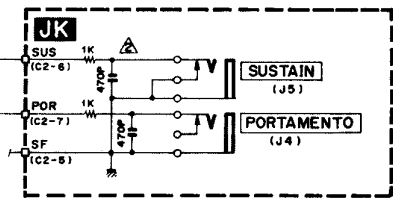
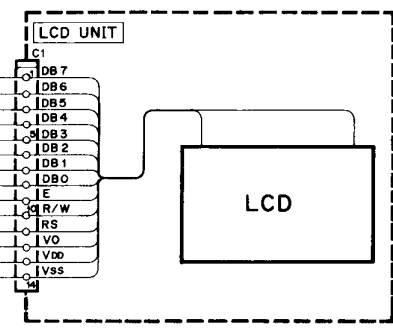
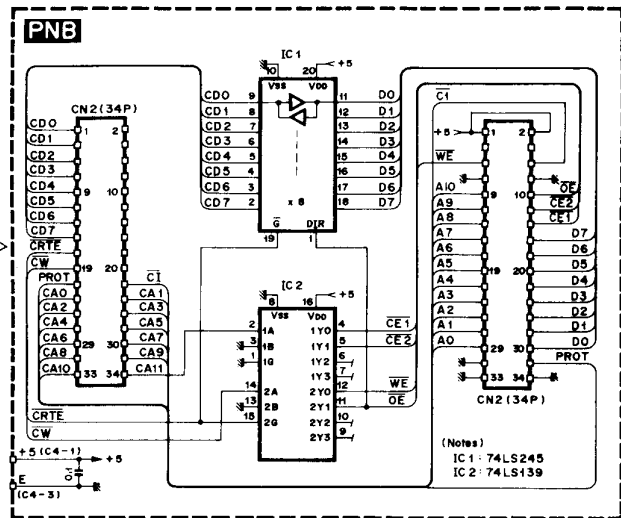
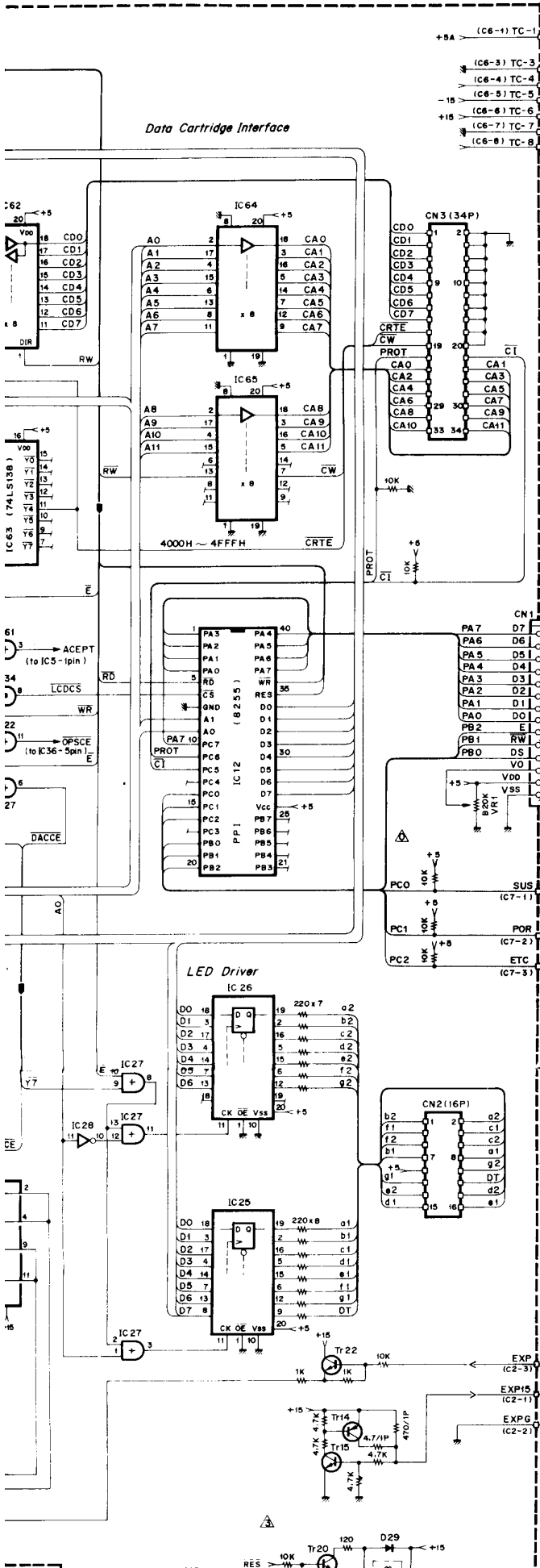
H



(Note) D1~32: 1S1555

P23 IC17 IC18
Optical Co

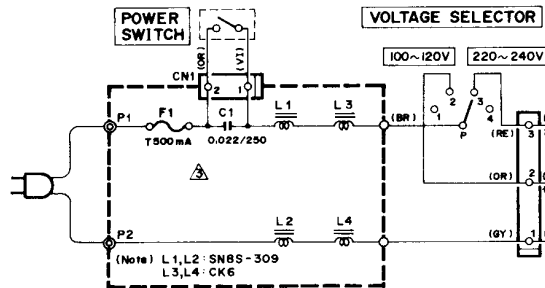




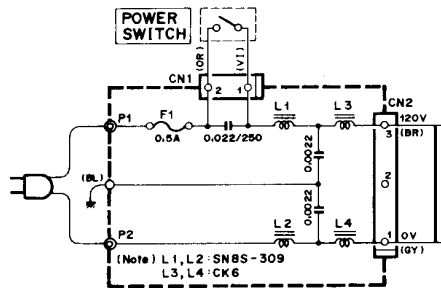
to CRT-CN2

6

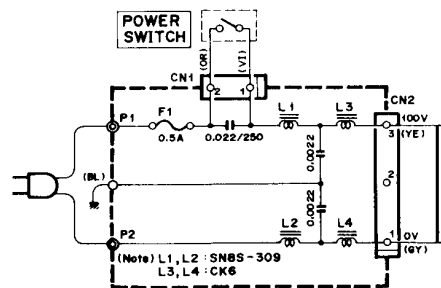
(European Model)



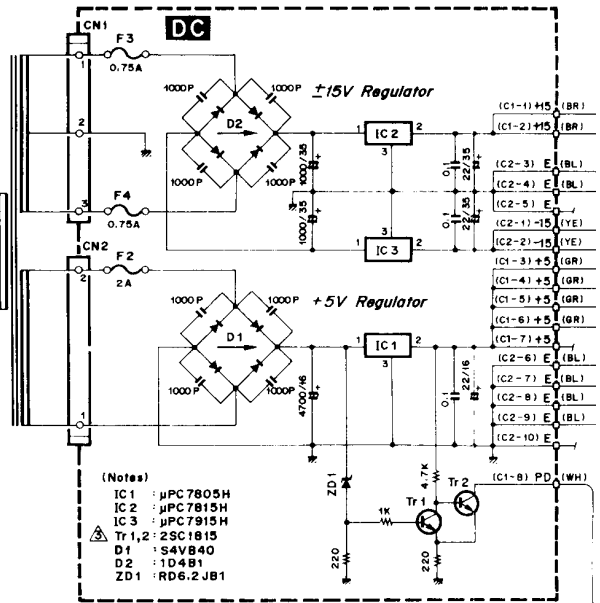
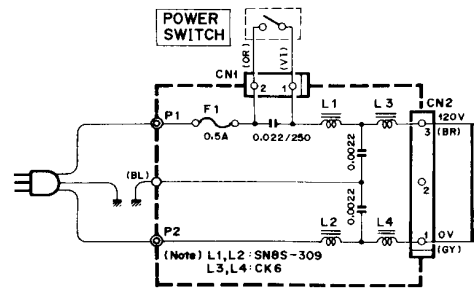
(U.S. Model)



(Japanese Model)



(Canadian Model)



- (Notes)
- IC 1 : μ PC7805H
 - IC 2 : μ PC7815H
 - IC 3 : μ PC7915H
 - Tr 1, 2 : 2SC1815
 - D 1 : S4VB40
 - D 2 : 1D4B1
 - ZD 1 : RD6.2JB1

7

8

9

10

11

DM

C1

Pin No.	Pin Name	Wire Color	Destination
1	VR1	S BR S	PNA-VR1 (C1-3)
2	VR2	S RE S	PNA-VR2 (C1-2)
3	VR3	S BR	PNA-VR3 (C1-1)

C2

Pin No.	Pin Name	Wire Color	Destination
1	EXP15	BR	JK-EXP15 (C3-4)
2	EXPG	BL	JK-EXPG (C3-3)
3	EXP	WH	JK-EXP (C3-5)
4	OUT	S OR	JK-OUT (C3-2)
5	E	S OR S	JK-E (C3-1)

C3

Pin No.	Pin Name	Wire Color	Destination
1	HPG	BL	HP/BC-HPG (C-1)
2	HPR	RE	HP/BC-HPR (C-2)
3	HPL	OR	HP/BC-HPL (C-3)

C4

Pin No.	Pin Name	Wire Color	Destination
1	+15	BR	DC+15 (C5-1)
2	+15	BR	DC+15 (C5-2)
3	AE	BL	DC-E (C6-3)
4	AE	BL	DC-E (C6-4)
5	-15	YE	DC-15 (C6-1)
6	-15	YE	DC-15 (C6-2)
7	-	-	-

C5

Pin No.	Pin Name	Wire Color	Destination
1	PB	S RE	PB-PB (C-3)
2	+5A	OR	PB+5A (C-4)
3	PB2.5	BL	PB-PB2.5 (C-1)
4	GND	S RE S	PB-GND (C-2)
5	-	-	-

C6

Pin No.	Pin Name	Wire Color	Destination
1	+5A	-	-
2	-	-	-
3	+15	-	-
4	AE	-	-
5	-15	-	-
6	+5	-	-
7	V _{ss}	-	-
8	PB2.5	-	-

C7

Pin No.	Pin Name	Wire Color	Destination
1	SUS	SB	JK-SUS (C2-2)
2	POR	PK	JK-POR (C2-3)
3	ETC	-	-

C8

Pin No.	Pin Name	Wire Color	Destination
1	TT+	PK	JK-TT+ (C1-7)
2	TT-	RE	JK-TT- (C1-6)
3	R+	GG	JK-R+ (C1-2)
4	R-	GR	JK-R- (C1-1)
5	T+	SB	JK-T+ (C1-5)
6	T-	BE	JK-T- (C1-4)
7	GND	BL	JK-GND (C1-3)
8	-	-	-

C9

Pin No.	Pin Name	Wire Color	Destination
1	FC15	BR	JK-FC15 (C3-8)
2	GND	S VI S	JK-GND (C3-6)
3	FC	S VI	JK-FC (3-7)
4	DEY	S GY	PNA-DEY (C1-5)
5	GND	S GY S	PNA-GND (C1-7)
6	+5A	OR	PNA+5A (C1-6)
7	-	-	-

Pin No.	Pin Name
1	-15
2	+15
3	GND
4	AT
5	-

Pin No.	Pin Name
1	V _{BC}
2	GND
3	BC

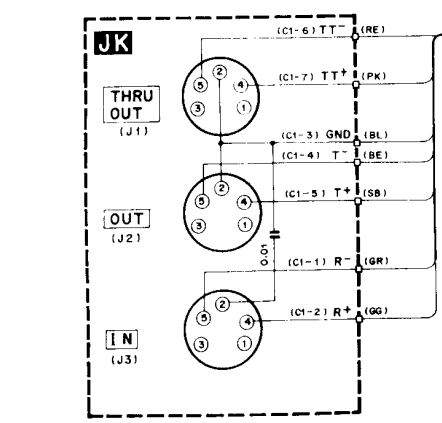
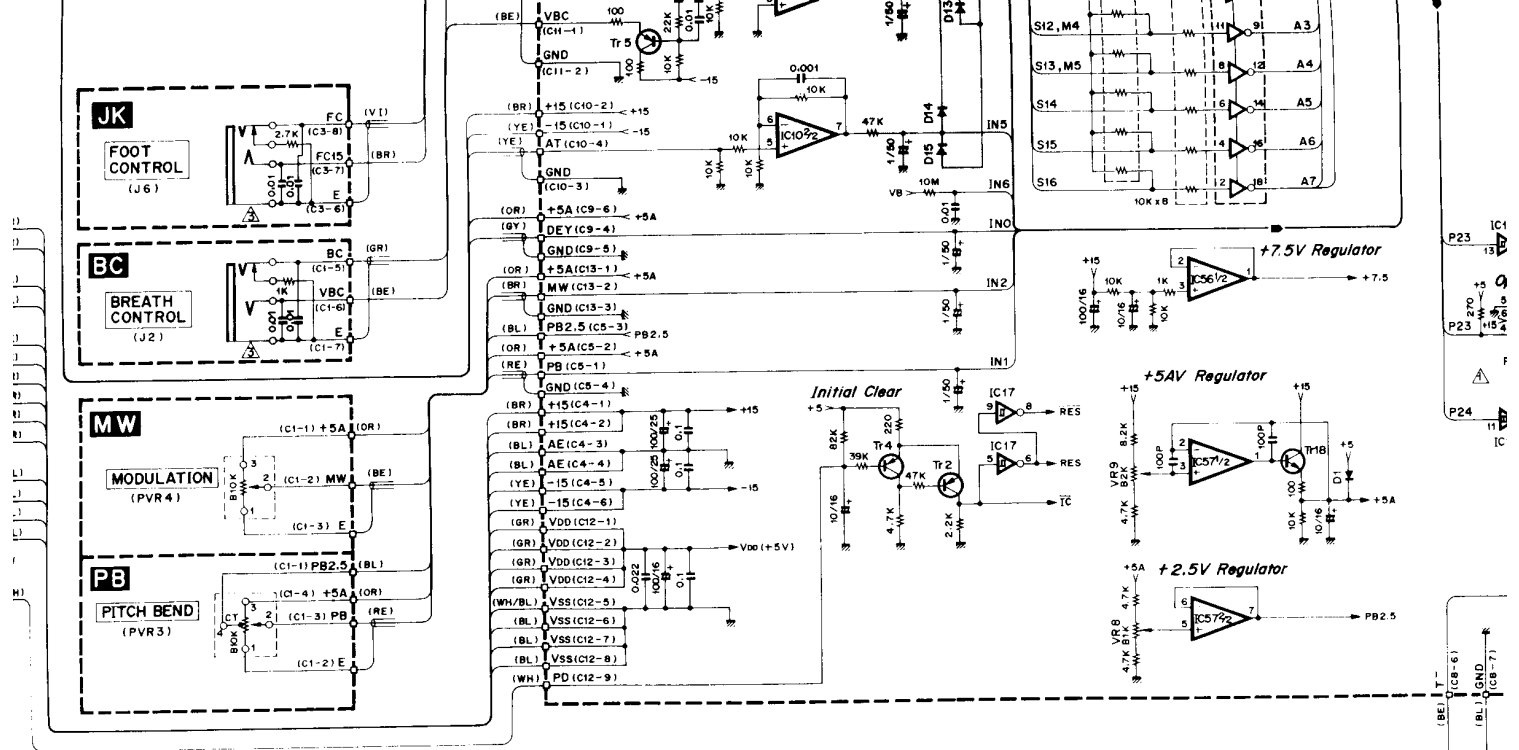
Pin No.	Pin Name
1	V _{DD}
2	V _{DD}
3	V _{DD}
4	V _{DD}
5	V _{ss}
6	V _{ss}
7	V _{ss}
8	V _{ss}
9	PD
10	-

A

B

C

D



C10

Pin Name	Wire Color	Destination
-15	YE	AT-15 (C-1)
+15	BR	AT+15 (C-3)
GND	S YE S	AT-E (C-8)
AT	S YE	AT-OUT (C-7)

C13

Pin No.	Pin Name	Wire Color	Destination
1	+5A	OR	MW+5A (C1-1)
2	MW	S RE	MW-MW (C1-2)
3	E	S RE S	MWE (C1-3)

C16

Pin No.	Pin Name	Wire Color	Destination
1	S1	BR	PNB-S1 (C3-1)
2	S2	RE	PNB-S2 (C3-2)
3	S3	OR	PNB-S3 (C3-3)
4	S4	YE	PNB-S4 (C3-4)
5	S5	GR	PNB-S5 (C3-5)
6	S6	BE	PNB-S6 (C3-6)
7	S7	VI	PNB-S7 (C3-7)
8	S8	GY	PNB-S8 (C3-8)

C1

Pin No.	Pin Name	Wire Color	Destination
1	VR3	S BR S	DM-VR3 (C1-3)
2	VR2	S RE	DM-VR2 (C1-2)
3	VR1	S RE S	DM-VR1 (C1-1)
4			
5	DEY	S GY	DM-DEY (C9-4)
6	+5A	OR	DM+5A (C9-6)
7	GND	S GY S	DM-GND (C9-5)

C3

Pin No.	Pin Name	Wire Color	Destination
1	S16	PK	DM-S16 (C15-9)
2	S15	SB	DM-S15 (C15-7)
3	S14	GG	DM-S14 (C15-6)
4	S13	WH	DM-S13 (C15-5)
5	S12	GY	DM-S12 (C15-4)
6	S11	VI	DM-S11 (C15-3)
7	S10	BE	DM-S10 (C15-2)
8	S9	GR	DM-S9 (C15-1)

C11

Pin Name	Wire Color	Destination
VBC	BE	HP/BC/VBC (C-6)
GND	S GR S	HP/BC-GND (C-7)
BC	S GR	HP/BC-BC (C-5)

C14

Pin No.	Pin Name	Wire Color	Destination
1	SA	BR	PNA SA (C2-1)
2	SB	RE	PNA SB (C2-3)
3	SC	OR	PNA SC (C2-5)
4	SF		
5			

C2

Pin No.	Pin Name	Wire Color	Destination
1	SA	BR	DM-SA (C14-1)
2	SA	BR	PNB-SA (C2-1)
3	SB	RE	DM-SB (C14-2)
4	SB	RE	PNB-SB (C2-2)
5	SC	OR	DM-SC (C14-3)
6	SC	OR	PNB-SC (C2-3)

C4

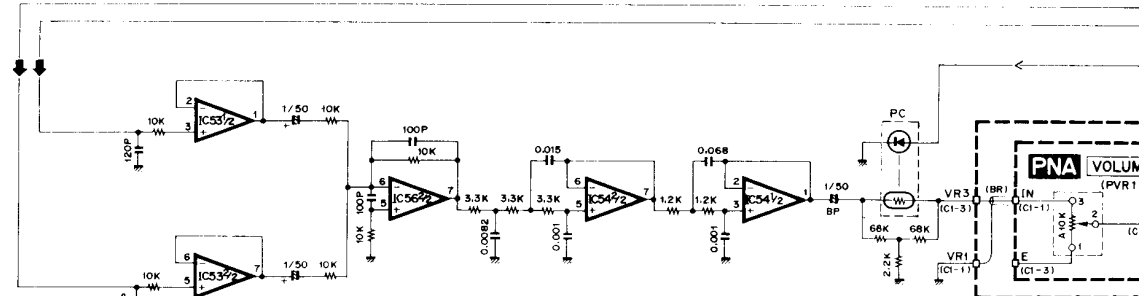
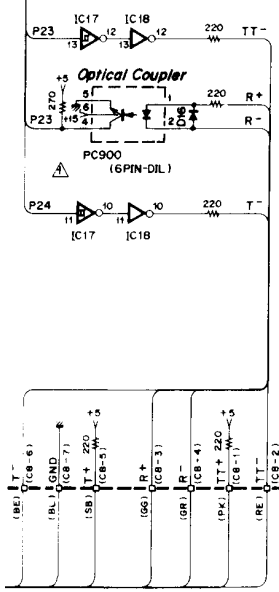
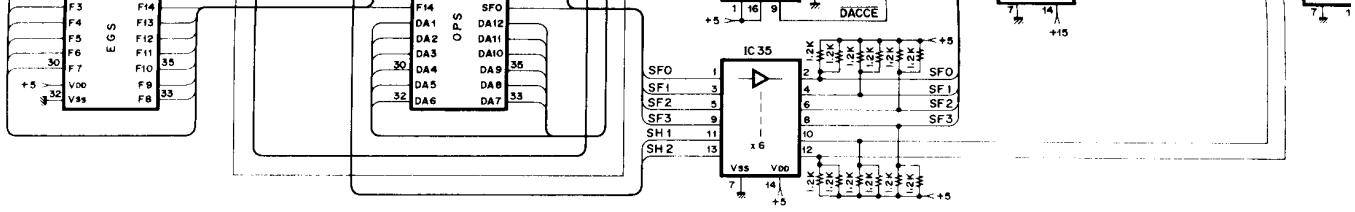
Pin No.	Pin Name	Wire Color	Destination
1	S16	PK	PNB-S16 (C1-8)
2	S15	SB	PNB-S15 (C1-7)
3	S14	GG	PNB-S14 (C1-6)
4	S13	WH	PNB-S13 (C1-5)
5	S12	GY	PNB-S12 (C1-4)
6	S11	VI	PNB-S11 (C1-3)
7	S10	BE	PNB-S10 (C1-2)
8	S9	GR	PNB-S9 (C1-1)

C12

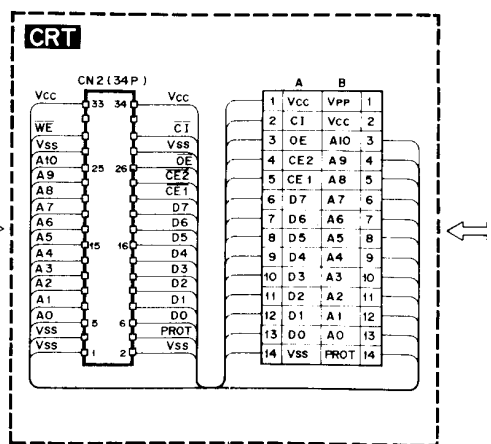
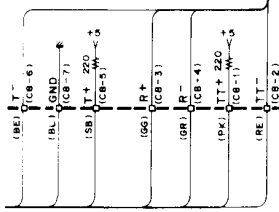
Pin Name	Wire Color	Destination
VDD	GR	DC+5 (C5-3)
VDD	GR	DC+5 (C5-4)
VDD	GR	DC+5 (C5-5)
VDD	GR	DC+5 (C5-6)
V _{ss}	BL/WH	DC-E (C6-7)
V _{ss}	BL/WH	DC-E (C6-8)
V _{ss}	BL/WH	DC-E (C6-9)
V _{ss}	BL/WH	DC-E (C6-10)
PD	WH	DC-PD (C5-8)

C15

Pin No.	Pin Name	Wire Color	Destination
1	S9	GR	PNA-S9 (C3-8)
2	S10	BE	PNA-S10 (C3-7)
3	S11	VI	PNA-S11 (C3-6)
4	S12	GY	PNA-S12 (C3-5)
5	S13	WH	PNA-S13 (C3-4)
6	S14	GG	PNA-S14 (C3-3)
7	S15	SB	PNA-S15 (C3-2)
8	SS		
9	S16	PK	PNA-S16 (C3-1)
10	PS		



- (Notes)
- | | | | | | | | | | |
|--------------------------|-----------|-------------------|-----------------------|-----------|-----------|-----------|-----------|--------------------------|---------------|
| IC 1, 2 | TC40H138 | IC 14 | △ HN613128P (IG11461) | IC 29 | YM21290 | IC 48 | 40HC74 | Tr 1, 2, 4, 5 | 2SA1015 (C) |
| IC 3, 4 | TC40H240 | IC 14 | △ HN613128P (IG11460) | IC 32, 62 | SN74LS245 | IC 49 | 40HC08 | Tr 3, 13, 15, 18, 20, 22 | 2SC1815 (Y) |
| IC 5 | SN74LS74 | IC 16 | SN74LS374 | IC 34 | SN74LS08 | IC 51 | 40HC04 | Tr 12, 14 | 2SA509 (C) |
| IC 6 | TC4069UBP | IC 17 | SN74LS14 | IC 35 | SN7417 | IC 52 | TC4016BP | Tr 19, 21 | 2SC752 (Y) |
| IC 7 | μPD4053 | IC 18 | SN7405 | IC 36 | YM21280 | IC 53, 56 | TL072 | D1, 16, 22, 29 | 1SS133 |
| IC 8 | NJM386 | IC 19 ~ 21 | △ M5M5118P-15 | IC 40, 45 | LF356 | IC 58, 59 | IG07950 | D4, 10 ~ 15, 17, 18 | OA95 |
| IC 9, 10, 43, 54, 55, 57 | NJM4558DV | IC 22, 27, 30, 61 | SN74LS32 | IC 41 | TC4066BP | IC 60 | HD63B03 | RY 1 | MZ12 |
| IC 11 | M5B990P-1 | IC 23, 24, 63 | SN74LS158 | IC 42 | BA9221 | IC 64, 65 | SN74LS244 | RM 1, 2 | 10K x 8 |
| IC 12 | 8255 | IC 25, 26 | TC40H374 | IC 44 | SN74LS174 | | | RM 3 | 4.7K x 8 |
| IC 13 | 6805S | IC 28 | SN74LS04 | IC 46 | μPD4051 | | | PC | P873-G35-2011 |



PNB

Pin No.	Pin Name	Wire Color	Destination
1	S9	GR	PNA-S9 (C4-8)
2	S10	BE	PNA-S10 (C4-7)
3	S11	V1	PNA-S11 (C4-6)
4	S12	GY	PNA-S12 (C4-5)
5	S13	WH	PNA-S13 (C4-4)
6	S14	GG	PNA-S14 (C4-3)
7	S15	SB	PNA-S15 (C4-2)
8	S16	PK	PNA-S16 (C4-1)

Pin No.	Pin Name	Wire Color	Destination
1	SA	BR	PNA-SA (C2-2)
2	SB	RE	PNA-SB (C2-4)
3	SC	OR	PNA-SC (C2-6)

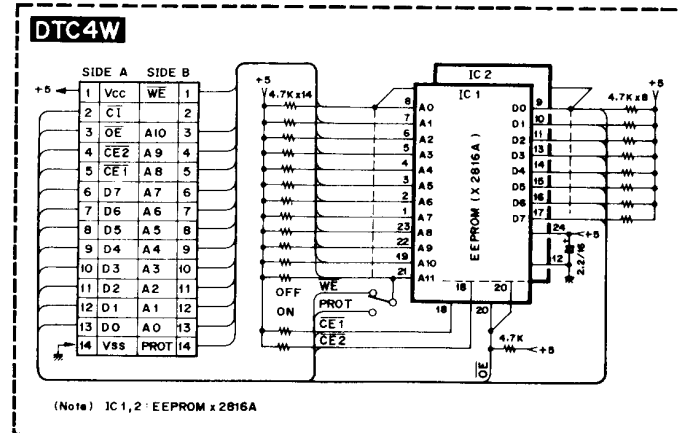
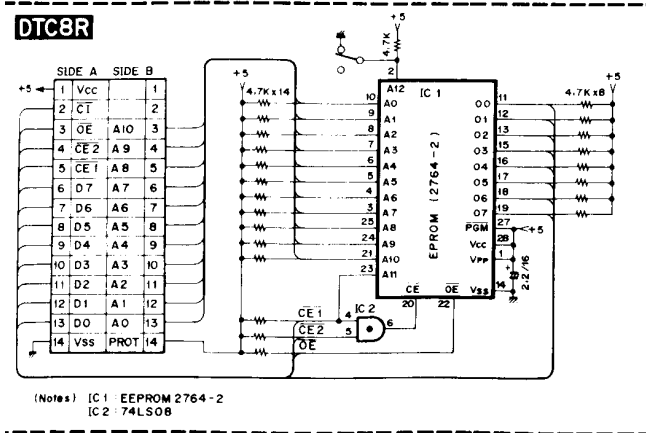
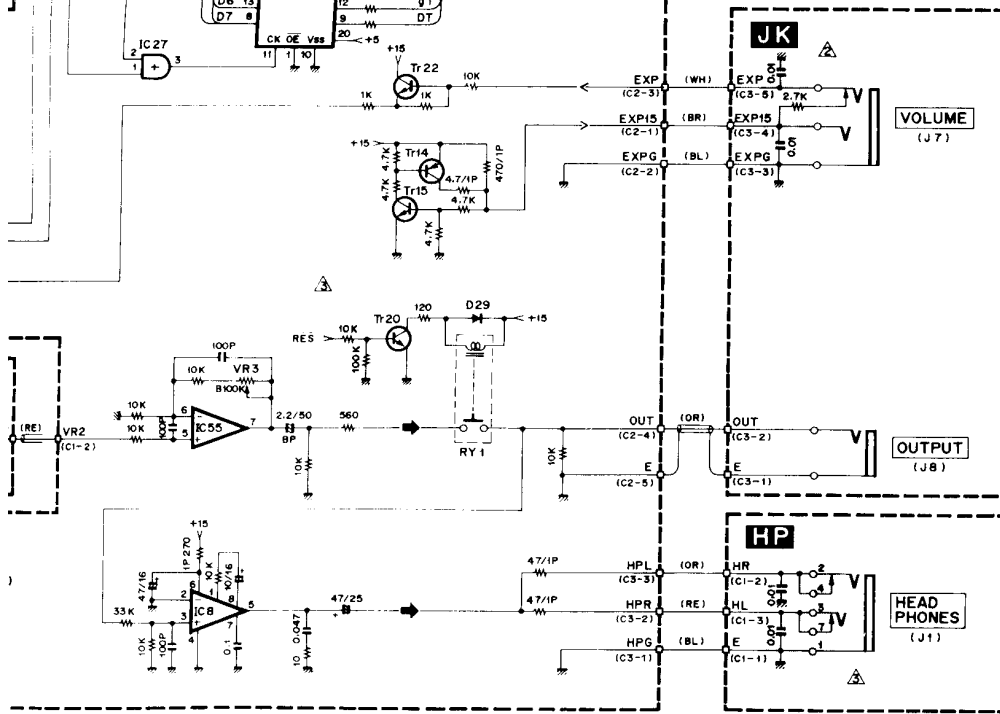
JK

Pin No.	Pin Name	Wire Color	Destination
1	R+	GG	DM-R+ (C8-3)
2	R-	GR	DM-R- (C8-4)
3	GND	BL	DM-GND (C8-7)
4	T+	SB	DM-T+ (C8-5)
5	T-	BE	DM-T- (C8-6)
6	TT+	PK	DM-TT+ (C8-1)
7	TT-	RE	DM-TT- (C8-2)

Pin No.	Pin Name	Wire Color	Destination
1	GND	-	-
2	SUS	SB	DM-SUS (C7-1)
3	POR	PK	DM-POR (C7-2)

HPBC

Pin No.	Pin Name	Wire Color	Dest
1	HPG	BL	DM-HPG
2	HPR	RE	DM-HPR
3	HPL	OR	DM-HPL
4	-	-	-
5	BC	S GR	DM-BC I
6	VBC	BE	DM-VBC
7	GND	S GR S	DM-GND



DC

C5

Pin No.	Pin Name	Wire Color	Destination
1	+15	BR	DM+15 (C4-1)
2	+15	BR	DM+15 (C4-2)
3	+5	GR	DM-VDD (C12-1)
4	+5	GR	DM-VDD (C12-2)
5	+5	GR	DM-VDD (C12-3)
6	+5	GR	DM-VDD (C12-4)
7	+5	GR	PNB-VDD (C4-1)
8	PD	WH	DM-PD (C12-9)

C6

Pin No.	Pin Name	Wire Color	Destination
1	-15	YE	DM-15 (C4-5)
2	-15	YE	DM-15 (C4-6)
3	E	BL	DM-AE (C4-3)
4	E	BL	DM-AE (C4-4)
5	E	-	-
6	E	BL/WH	PNB-Vss (C4-3)
7	E	BL/WH	DM-Vss (C12-5)
8	E	BL/WH	DM-Vss (C12-6)
9	E	BL/WH	DM-Vss (C12-7)
10	E	BL/WH	DM-Vss (C12-8)

The circuit portions marked with are newly modified on and after the serial numbers marked with Δ as follows:

て示した部分が、印刷番号より変更になります。

- Δ # 1001 ~
- Δ # 1101 ~
- Δ # 2479 ~ 2660, # 2843 ~ (7月生産の国内頭から182台は旧シート)
- Δ # 2661
- Δ # 4176